

# SRM-2620TES/U

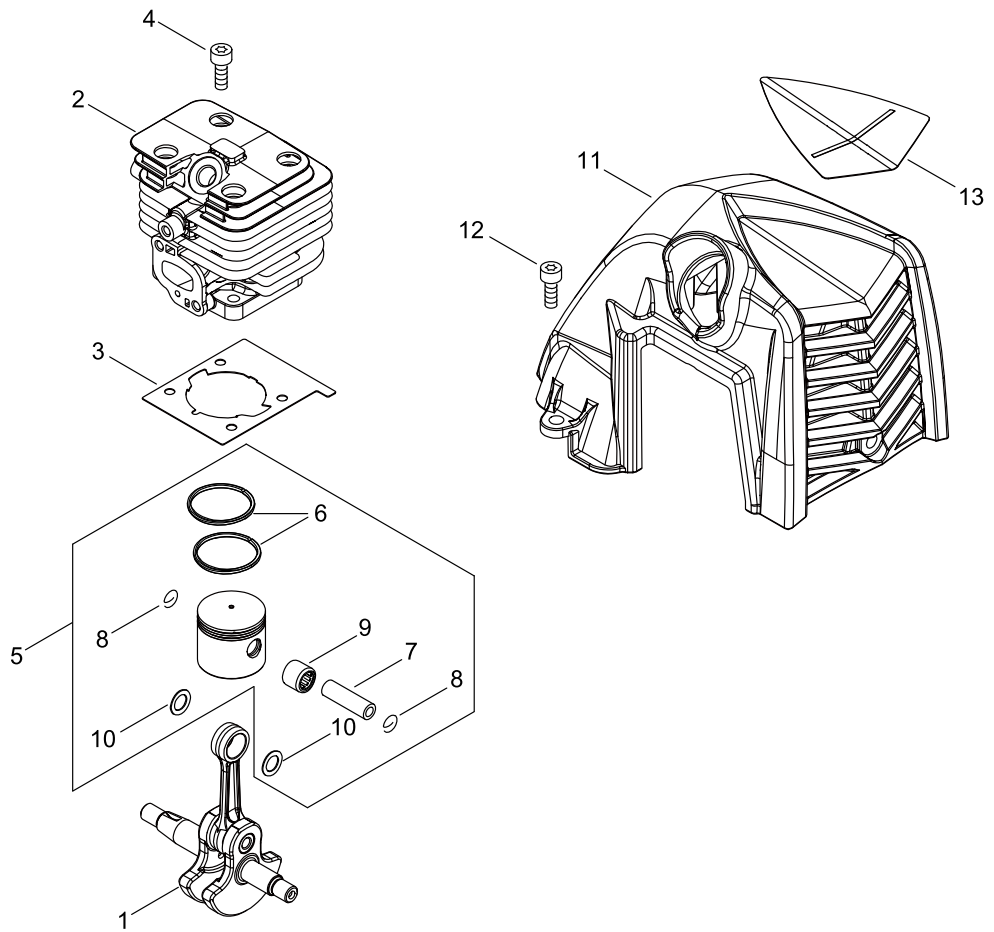
Published:05/17/2017

## TABLE OF CONTENTS

---

CYLINDER, PISTON, CRANKSHAFT.....	1
CRANKCASE .....	3
MAGNETO.....	5
CLUTCH.....	7
AIR CLEANER, CARBURETOR.....	9
CARBURETOR.....	11
FUEL TANK.....	13
MUFFLER .....	15
RECOIL STARTER, PULLY .....	17
GEAR CASE, SHIELD.....	19
MAIN PIPE, HANDLE.....	21
THROTTLE .....	23
ACCESSORIES .....	25
NYLON LINE CUTTER.....	27

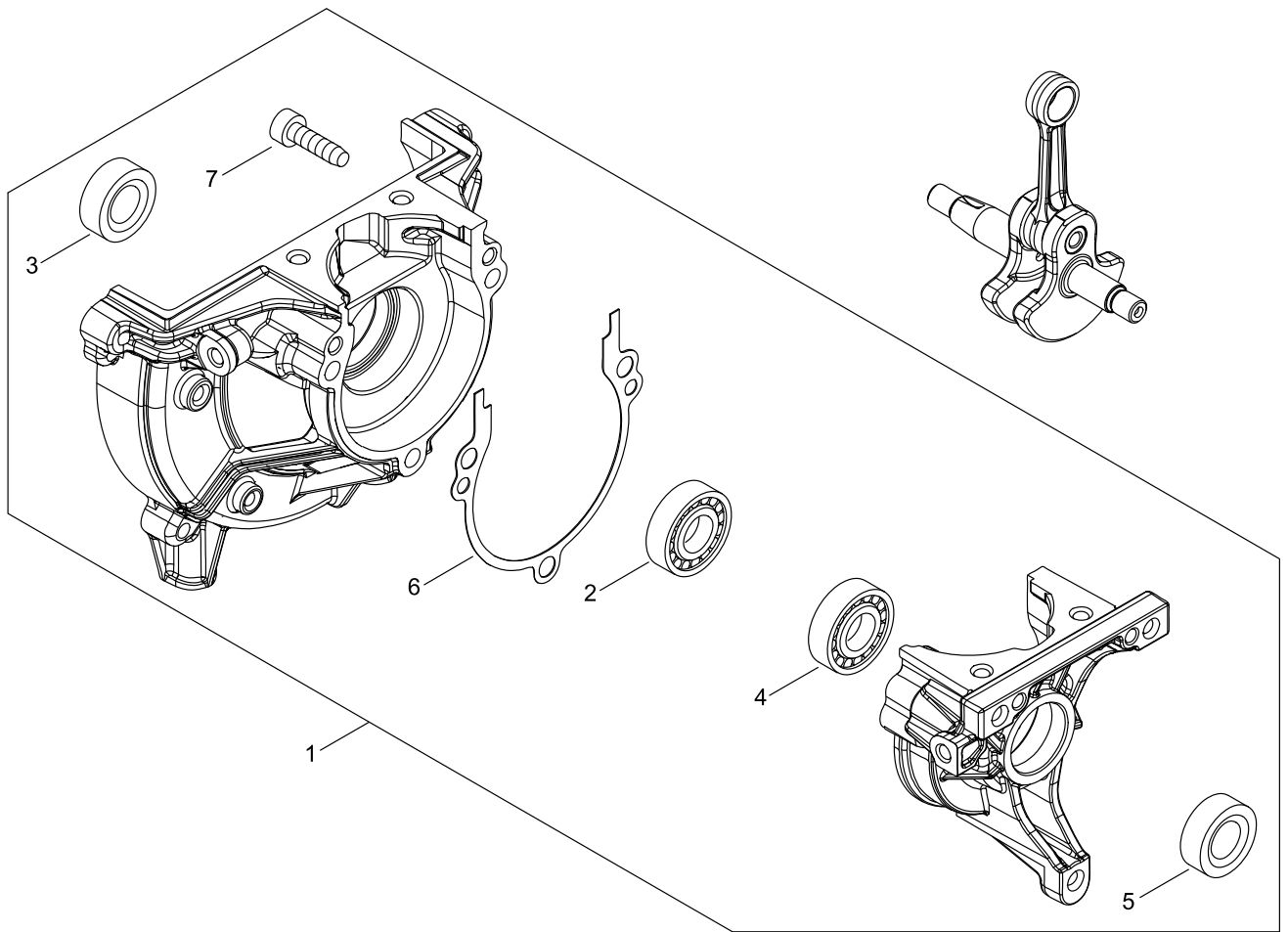
# CYLINDER, PISTON, CRANKSHAFT



## CYLINDER, PISTON, CRANKSHAFT

KEY NO	LV(+)	Part No	Description	Qty	Standard
1		A011-001460	CRANKSHAFT,ASY	1	
2		A130-002330	CYLINDER	1	
3		V100-000840	GASKET,CYL	1	
4		V805-000210	BOLT, TORX 5	4	TB-5*20 12.9
5		P021-050840	PISTON KIT	1	
6	+	A101-000010	RING,PISTON	2	
7	+	100013-35430	PIN, PISTON	1	6*9*27.8
8	+	100015-03931	CIRCLIP, PISTON PIN	2	
9	+	V554-000020	BEARING,NEEDLE 9	1	KTV-91212EG14-B2
10	+	100014-53630	SPACER, PISTON PIN	2	
11		A160-003280	COVER,CYLINDER	1	
12		V805-000140	BOLT, TORX 5	2	TB-5*12 10.9
13		X547-002990	LABEL,ECHO	1	

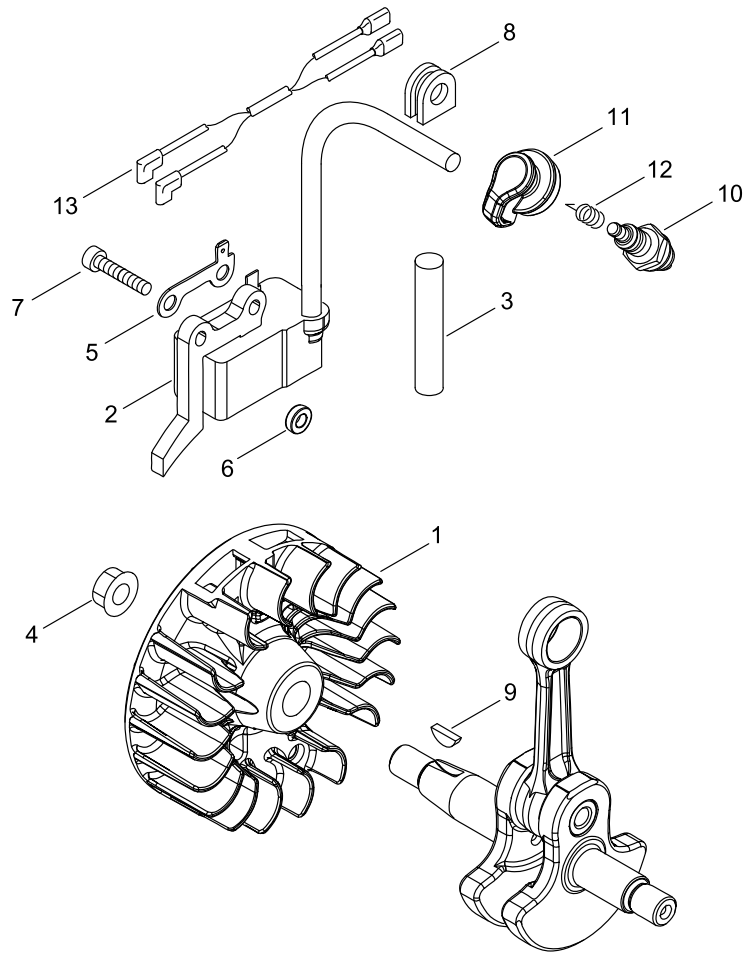
# CRANKCASE



## CRANKCASE

KEY NO	LV(+)	Part No	Description	Qty	Standard
1		P021-050850	CRANKCASE KIT	1	
2	+	900800-36001	BEARING, BALL 6001	1	6001/C3
3	+	100212-42031	OILSEAL	1	ISCD 12*22*4.5
4	+	900810-36000	BEARING, BALL	1	
5	+	V503-000040	SEAL,OIL 10	1	ISCD 10*20*5F
6	+	V102-000300	GASKET,CRANKCASE	1	
7	+	V805-000220	BOLT, TORX 5	3	TB-5*25 12.9

# MAGNETO

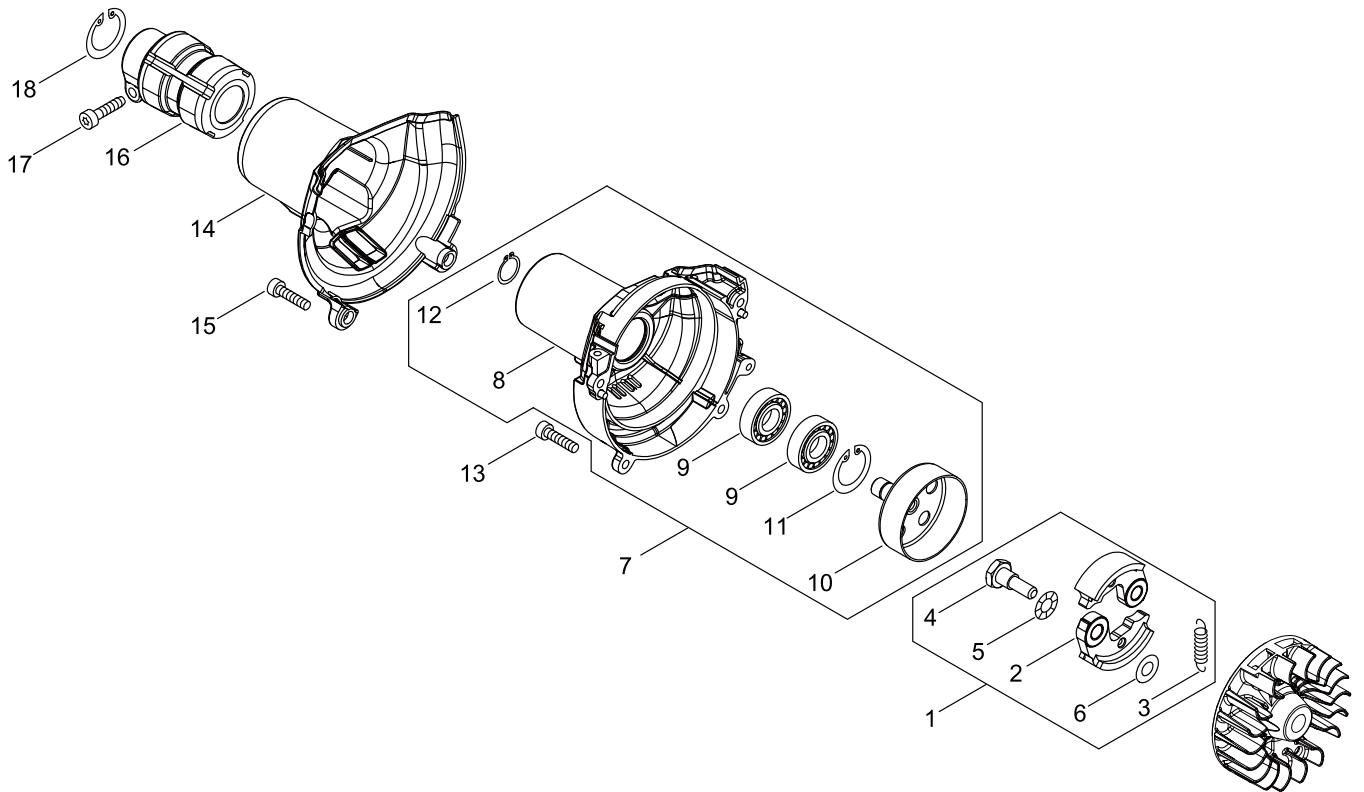


## MAGNETO

KEY NO	LV(+)	Part No	Description	Qty	Standard
1		A409-001320	ROTOR, MAGNETO	1	
2		A411-001710	COIL, IGNITION	1	
3		V475-007540	TUBE	1	
4		900515-00008	NUT, FLANGE 8	1	8
5		C152-001030	CONNECTOR	1	
6		V323-000070	WASHER,CIRCULAR 5	2	5.2*10*3
7		V805-000210	BOLT, TORX 5	2	TB-5*20 12.9
8		156110-04920	BUSHING	1	
9		100142-12330	KEY, WOODRUFF	1	
10		A425-000060	SPARKPLUG	1	CMR7H
11		A427-000220	CAP,SPARK PLUG	1	
12		A426-000010	TERMINAL,SPARKPLUG	1	
13		V485-002880	LEAD	1	



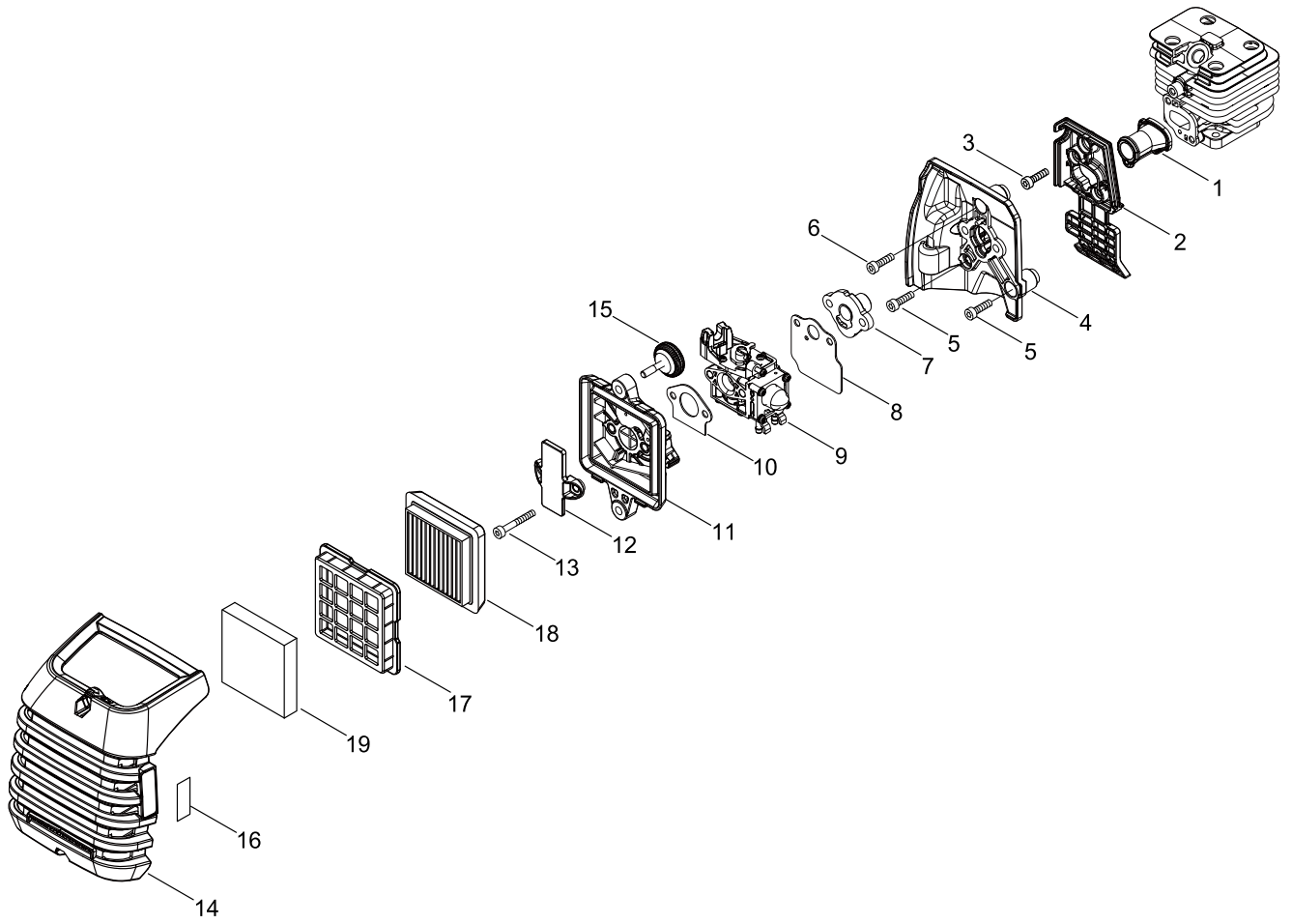
## CLUTCH



## CLUTCH

KEY NO	LV(+)	Part No	Description	Qty	Standard
1		P021-050860	CLUTCH ASY	1	
2	+	A553-000190	ARM, CLUTCH	2	
3	+	V451-001390	SPRING,TENSION	1	172N/34MM
4	+	175046-56030	SHAFT, CLUTCH	2	
5	+	175049-56030	WASHER	2	8.5*16*0.5
6	+	175048-05530	WASHER (I)	2	6.2*19*1.0
7		P021-051000	FAN COVER ASY	1	
8	+	A172-003140	COVER,FAN	1	
9	+	900807-06001	BEARING, BALL 6001	2	6001V(LB)
10	+	A556-001750	DRUM, CLUTCH	1	
11	+	900702-00028	CIRCLIP 28	1	CR-28
12	+	900701-00012	CIRCLIP 12	1	CS-12
13		V805-000150	BOLT, TORX 5	2	TB-5*16 10.9
14		A413-000080	BOOT	1	
15		V805-000160	BOLT, TORX 5	2	TB-5*20 10.9
16		A575-000690	FIXTURE, MAIN PIPE	1	
17		V805-000170	BOLT, TORX 5	1	TB-5*25 10.9
18		900702-00042	CIRCLIP 42	1	CR-42

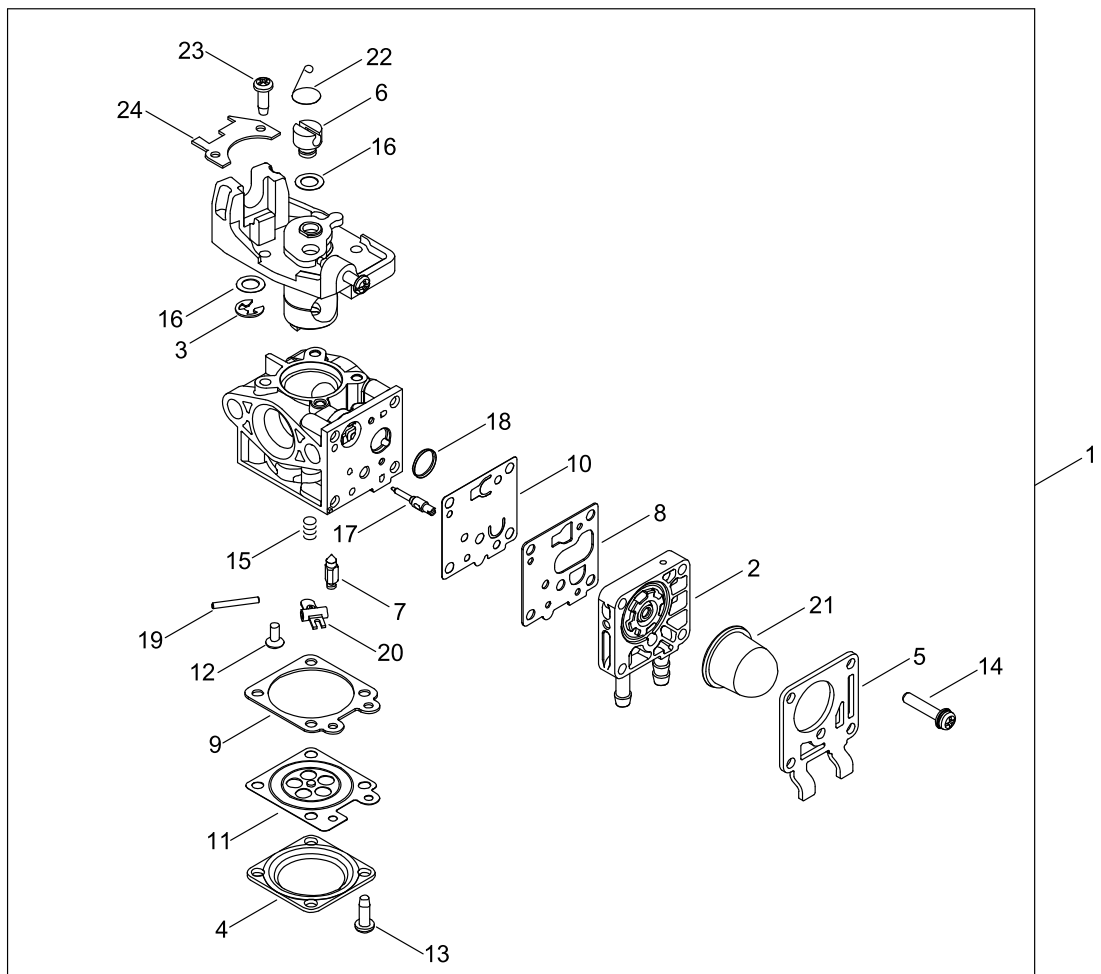
# AIR CLEANER, CARBURETOR



## AIR CLEANER, CARBURETOR

KEY NO	LV(+)	Part No	Description	Qty	Standard
1		A202-000300	BELLOWS, INTAKE	1	
2		A206-000040	HOLDER, BELLOWS	1	
3		V805-000150	BOLT, TORX 5	2	TB-5*16 10.9
4		A209-001010	PLATE, INSULATOR	1	
5		V805-000150	BOLT, TORX 5	2	TB-5*16 10.9
6		V855-000000	BOLT, TORX 5	1	TB-5*20
7		A209-001000	PLATE, INSULATOR	1	
8		V103-001890	GASKET,INTAKE	1	
9		A021-004600	CARBURETOR, DIAPHRAGM	1	WYG-9
10		V103-001900	GASKET,INTAKE	1	
11		P021-050880	CLEANER CASE ASY	1	
12		A244-000320	PLATE, PREVENT	1	
13		V805-000340	BOLT, TORX 5	2	TB-5*60 10.9
14		A232-001890	LID,CLEANER	1	
15		V299-000290	KNOB,FASTENER	2	1 KNOB M5X0.8
16		890332-52730	LABEL, CHOKE	1	
17		A227-000050	PLATE, ELEMENT	1	
18		A226-002030	ELEMENT, AIR FILTER	1	
19		A226-002040	ELEMENT, AIR FILTER	1	HP-70

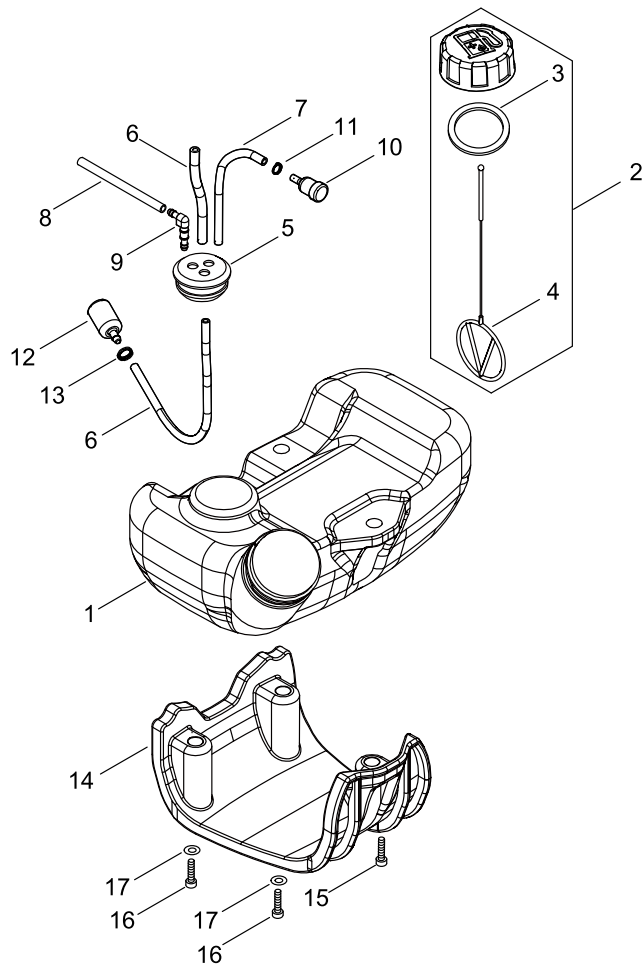
## CARBURETOR



## CARBURETOR

KEY NO	LV(+)	Part No	Description	Qty	Standard
1		A021-004600	CARBURETOR, DIAPHRAGM	1	WYG-9
2	+	P003-005300	BODY ASSEMBLY, PUMP	1	
3	+	123173-07930	CLIP	1	
4	+	123142-03930	COVER, M. DIAPHRAGM	1	
5	+	P003-004510	COVER, FUEL PUMP	1	
6	+	P003-005850	SWIVEL	1	
7	+	123137-19830	VALVE, INLET NEEDLE	1	
8	+	P003-004530	GASKET, FUEL PUMP	1	
9	+	123140-27230	GASKET,M. DIAPHRAGM	1	
10	+	P003-004540	DIAPHRAGM, FUEL PUMP	1	
11	+	P003-001670	DIAPHRAGM, METERING	1	
12	+	P003-005860	SCREW	1	
13	+	P003-004560	SCREW	4	
14	+	P003-004570	SCREW	4	
15	+	P003-005870	SPRING	1	
16	+	P003-001710	WASHER	2	
17	+	P003-005880	NEEDLE	1	
18	+	123126-10631	SCREEN, INLET	1	
19	+	123138-03930	PIN, METERING LEVER	1	
20	+	P003-001630	LEVER, METERING	1	
21	+	123181-09560	PUMP, PRIMER	1	
22	+	P003-005890	CLIP	1	
23	+	123114-40630	SCREW	3	
24	+	P003-005900	PLATE	1	

# FUEL TANK

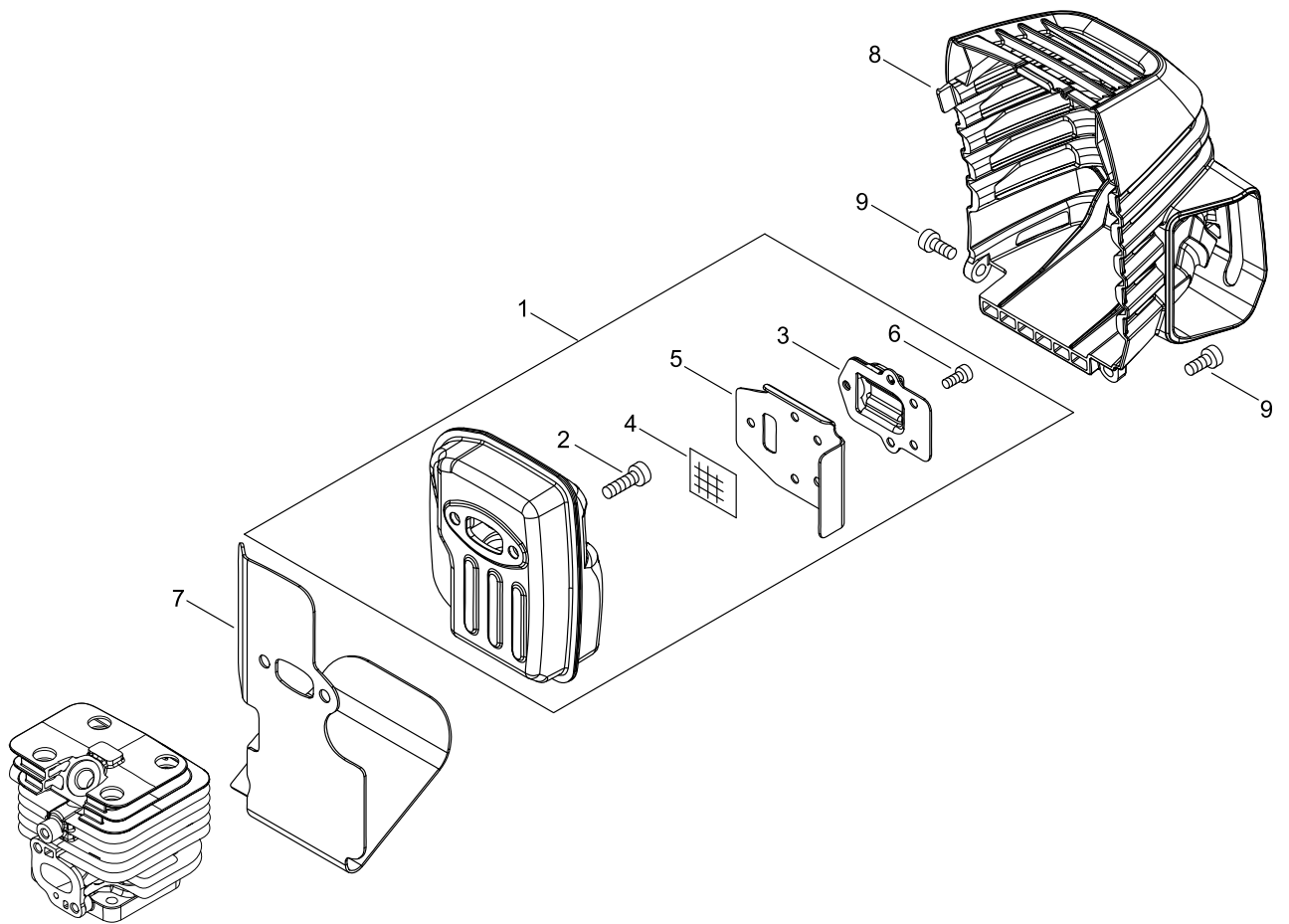


## FUEL TANK

KEY NO	LV(+)	Part No	Description	Qty	Standard
1		A350-002350	TANK, FUEL	1	
2		P021-012210	CAP,FUEL ASY	1	
3	+	131016-55830	GASKET, FUEL CAP	1	
4	+	A365-000060	CONNECTOR,CAP	1	L=123
5		132115-55930	GROMMET, FUEL	1	
6		V471-001230	PIPE	1	3*5*210 NBR
7		132010-06530	PIPE 3*6* 85	1	3*6* 85
8		132012-56030	PIPE	1	3*6*80 YL
9		V186-000500	JOINT,PIPE	1	
10		131300-56431	VENT ASSEMBLY, FUEL	1	
11		V490-001230	CLIP	1	
12		A369-000470	STRAINER, FUEL	1	
13		V490-001240	CLIP	1	
14		A175-000040	STAND	1	
15		V805-000160	BOLT, TORX 5	1	TB-5*20 10.9
16		V805-000170	BOLT, TORX 5	2	TB-5*25 10.9
17		900602-00005	WASHER 5	2	5.3*10*1



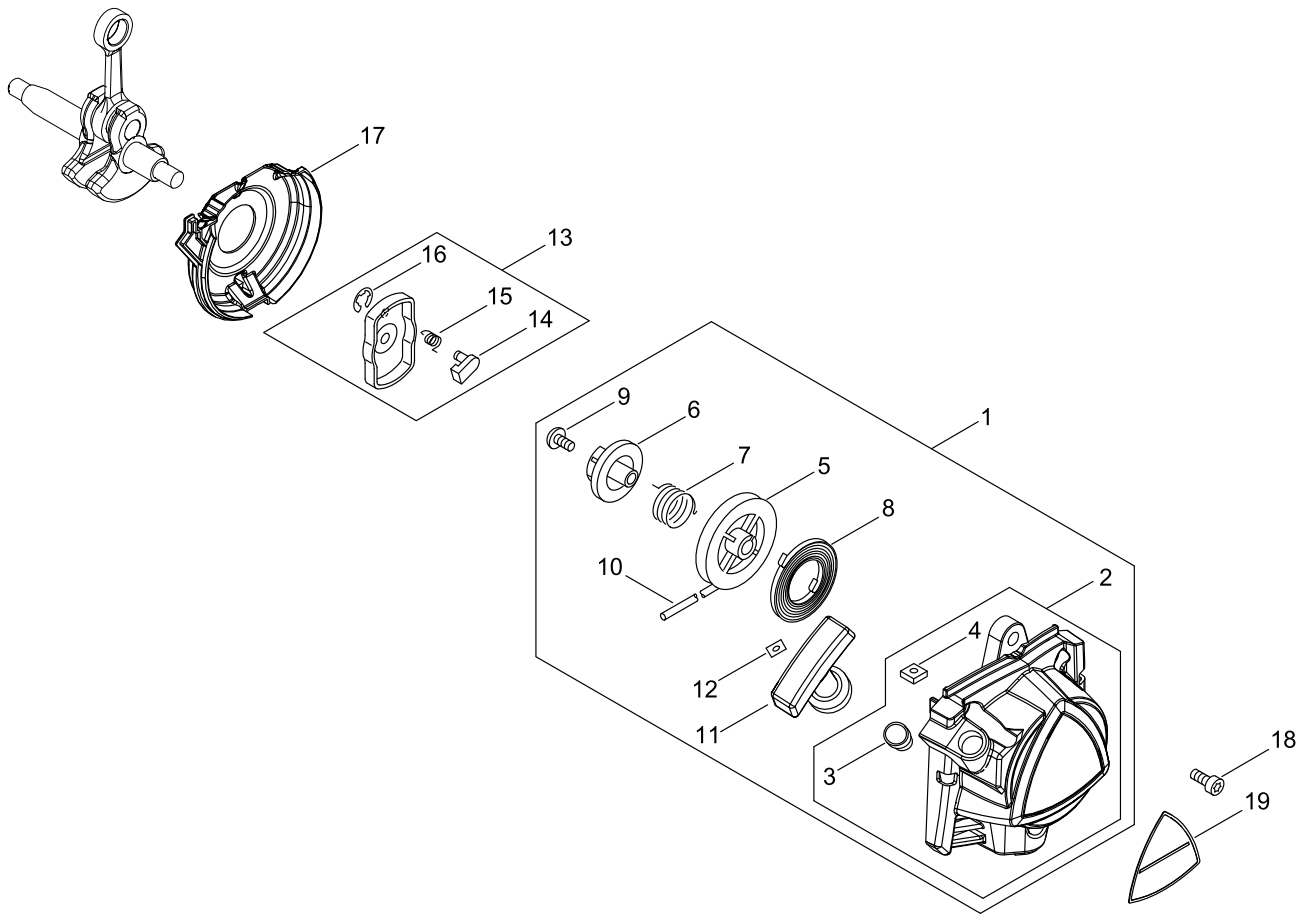
## MUFFLER



## MUFFLER

KEY NO	LV(+)	Part No	Description	Qty	Standard
1		P021-050900	MUFFLER ASY	1	
2	+	V805-000250	BOLT, TORX 5	2	TB-5*16 12.9
3	+	A313-002060	GUIDE, EXHAUST	1	
4	+	145862-40630	SCREEN, MUFFLER	1	
5	+	V104-002300	GASKET,EXHAUST	1	
6	+	V804-000030	BOLT, TORX 4	5	TB-4*8 10.9
7		V104-002310	GASKET,EXHAUST	1	
8		A320-001200	COVER,MUFFLER	1	
9		V805-000140	BOLT, TORX 5	2	TB-5*12 10.9

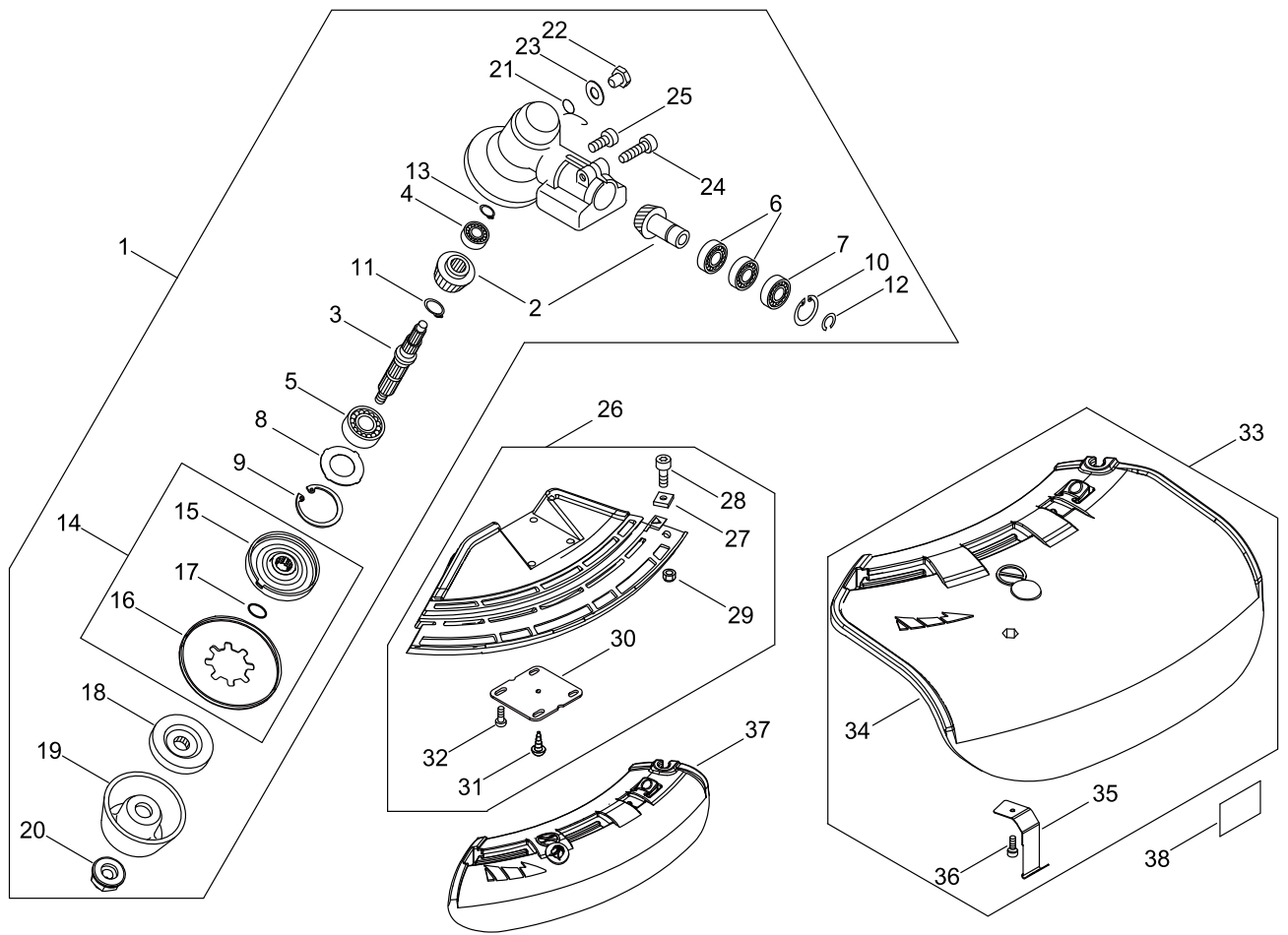
# RECOIL STARTER, PULLY



## RECOIL STARTER, PULLY

KEY NO	LV(+)	Part No	Description	Qty	Standard
1		A051-003220	STARTER,RECOIL ASY	1	
2	+	P022-043670	STATER CASE	1	
3	++	177227-42030	GUIDE, ROPE	1	
4	++	900565-00005	NUT	2	5
5	+	P022-033320	DRUM, STARTER	1	
6	+	P022-033310	PLATE, CAM	1	
7	+	P022-008270	SPRING,DAMPER	1	
8	+	177220-40630	SPRING, REWIND	1	
9	+	177236-61830	SCREW	1	
10	+	P022-022110	ROPE, STARTER	1	
11	+	177228-27030	GRIP, STARTER	1	
12	+	P022-037670	STOPPER, ROPE	1	
13		A052-000180	PULLEY,ASM STARTER	1	
14	+	P022-006850	PAWL, STARTER	2	
15	+	P022-006510	SPRING, RETURN	2	
16	+	P022-002100	E-RING	2	4
17		A127-000470	COVER,DUST	1	
18		V805-000140	BOLT, TORX 5	3	TB-5*12 10.9
19		X547-002980	LABEL,ECHO	1	

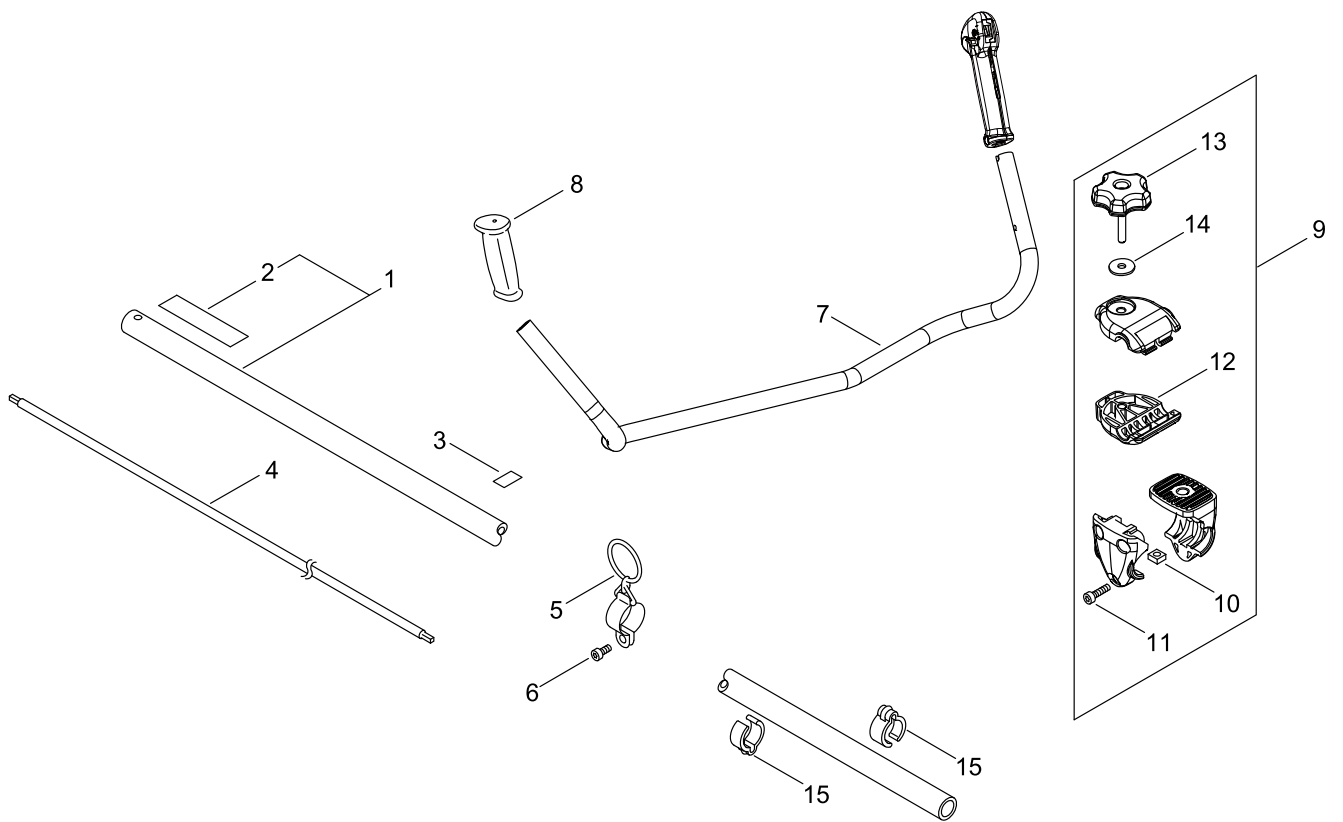
# GEAR CASE, SHIELD



## GEAR CASE, SHIELD

KEY NO	LV(+)	Part No	Description	Qty	Standard
1		P021-051190	GEAR CASE ASY	1	
2	+	V000-000110	GEAR SET, BEVEL	1	
3	+	C534-000940	SHAFT, GEAR	1	M10
4	+	900810-00629	BEARING, BALL 629	1	629
5	+	900812-06302	BEARING, BALL	1	BB6302 LLU, DDU
6	+	900855-06900	BEARING, BALL 6900	2	6900
7	+	900858-06900	BEARING, BALL 6900Z	1	6900Z
8	+	V313-000090	WASHER,CIRCULAR 20	1	
9	+	900702-00042	CIRCLIP 42	1	CR-42
10	+	900702-00022	CIRCLIP 22	1	CR-22
11	+	900706-00012	CIRCLIP 12	1	WR-12
12	+	900706-00010	CIRCLIP 10	1	WR-10
13	+	900701-00009	CIRCLIP 9	1	CS-9
14	+	C535-000920	FIXTURE, BLADE	1	
15	++	C535-000930	FIXTURE, BLADE	1	
16	++	610352-56830	PLATE, CUP	1	
17	++	900720-00012	O-RING 12	1	P-12
18	+	610314-52130	PLATE, ADAPTER (L)	1	
19	+	699229-56830	PLATE, COVER	1	
20	+	610320-52130	NUT 10	1	
21	+	V452-001310	SPRING,TORSION	1	
22	+	610434-50031	BOLT 8* 8	1	M8*8
23	+	900603-50008	WASHER	1	8.5*18*0.8T
24	+	V806-000020	BOLT, TORX 6	1	TB-6*25 10.9
25	+	V805-000130	BOLT, TORX 5	1	TB-5*10 10.9
26		P021-050810	SHIELD BLADE ASY	1	
27	+	900565-00005	NUT	1	5
28	+	V805-000170	BOLT, TORX 5	1	TB-5*25 10.9
29	+	900562-00005	NUT, LOCK	1	5
30	+	C552-000200	PLATE, SHIELD	1	
31	+	91316-04010	SCREW	1	M4*10
32	+	V805-000260	BOLT, TORX 5	4	TB5*25 10.9
33		P021-042900	SHIELD ASY, BLADE	1	
34	+	C550-000560	SHIELD, BLADE	1	
35	+	C554-000030	KNIFE, CORD	1	17INCH
36	+	V805-000150	BOLT, TORX 5	1	TB-5*16 10.9
37		C550-000541	SHIELD, BLADE	1	
38		X524-005230	LABEL	1	HIGH TORQUE

MAIN PIPE, HANDLE

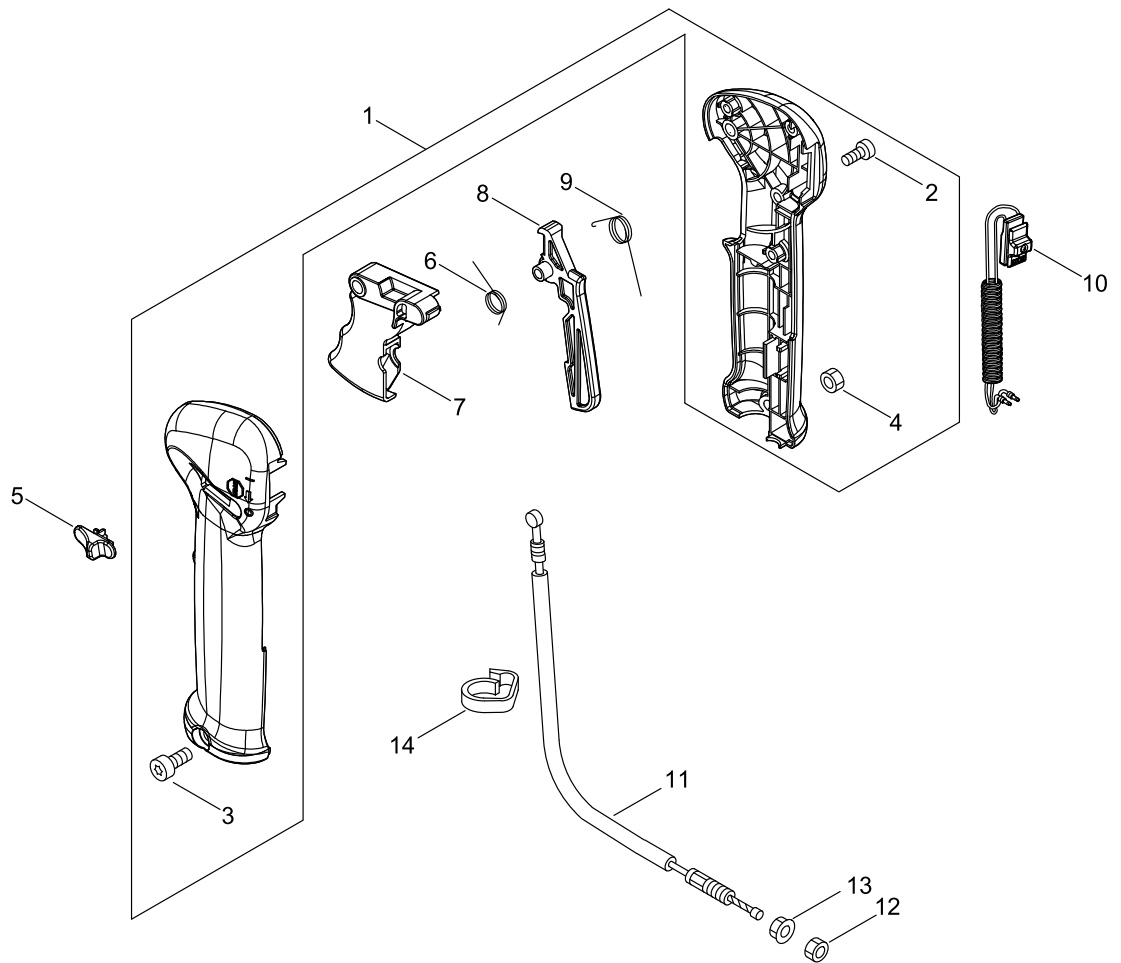


## MAIN PIPE, HANDLE

KEY NO	LV(+)	Part No	Description	Qty	Standard
1		P021-049000	MAIN PIPE ASY	1	
2	+	890617-43130	LABEL,CAUTION	1	
3		890152-04930	LABEL, CAUTION	1	
4		C504-000050	SHAFT,DRIVE	1	7*1540
5		C646-000060	RING, HARNESS	1	3-PIECE ASM
6		V805-000140	BOLT, TORX 5	1	TB-5*12 10.9
7		C400-000000	HANDLE,FRONT	1	
8		C403-000031	GRIP,HANDLE	1	
9		P021-016232	FIXTURE,ASY HANDLE	1	
10	+	900565-50008	NUT	1	8*1.25
11	+	V805-000170	BOLT, TORX 5	3	TB-5*25 10.9
12	+	C423-000043	FIXTURE,HANDLE	1	
13	+	V299-000110	KNOB,FASTENER	1	
14	+	605014-54230	WASHER	1	
15		224924-52130	CLIP	2	25MM



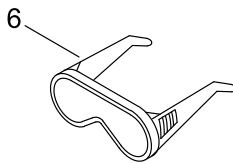
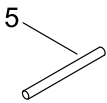
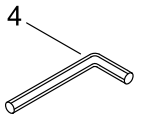
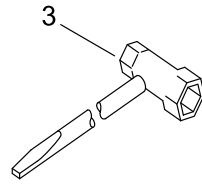
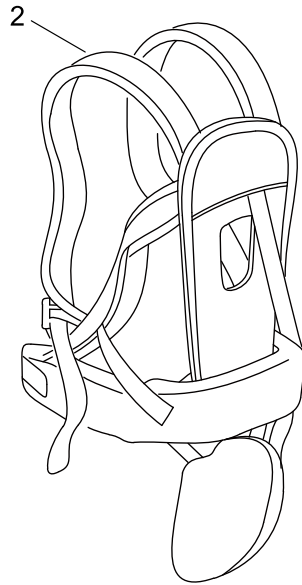
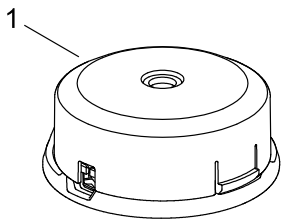
## THROTTLE



## THROTTLE

KEY NO	LV(+)	Part No	Description	Qty	Standard
1		P021-016210	GRIP ASY,F-HANDLE	1	
2	+	V804-000010	BOLT, TORX 4	3	TT-4*16 DG 10.9
3	+	V805-000050	BOLT, TORX 5	1	TB-5*30 10.9
4	+	900500-00005	NUT 5	1	5
5		C463-000020	KNOB, LATCH	1	
6		V452-000360	SPRING,TORSION	1	
7		C450-000270	CONTROL, THROTTLE	1	
8		C460-000111	LOCKOUT, THROTTLE	1	70MM
9		V452-000350	SPRING,TORSION	1	
10		P021-051010	ON OFF SWITCH	1	
11		V430-004950	CABLE,BOWDEN	1	
12		900502-00006	NUT 6 (3N)	1	3N6
13		900518-00006	NUT, FLANGE	1	6
14		159112-09961	CLIP	1	

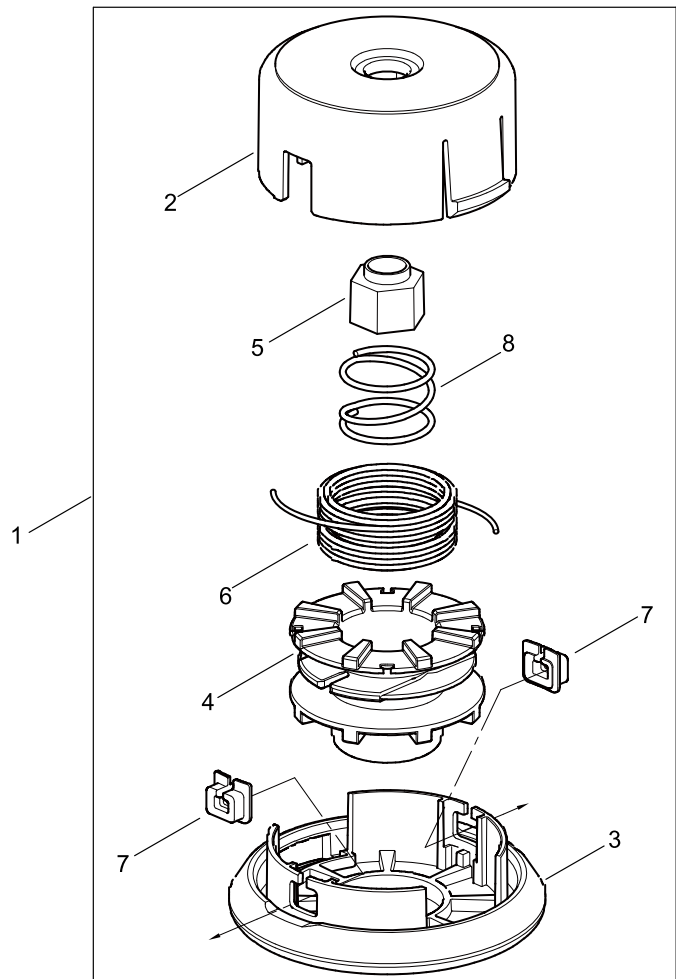
# ACCESSORIES



## ACCESSORIES

KEY NO	LV(+)	Part No	Description	Qty	Standard
1		X047-000321	CUTTER,ASM LINE	1	Z-5 M10
2		C062-000194	HARNESS,SHOULDER	1	
3		895415-66630	WRENCH, SPCKET	1	
4		X605-000170	TOOL,L WRENCH	1	
5		X606-000080	TOOL,BAR	1	5*120
6		X690-000080	GOGGLE	1	SI CHINA, Z87.1

# NYLON LINE CUTTER



## NYLON LINE CUTTER

KEY NO	LV(+)	Part No	Description	Qty	Standard
1		X047-000321	CUTTER,ASM LINE	1	Z-5 M10
2	+	P022-010420	HOUSING	1	
3	+	P022-010410	COVER	1	
4	+	P022-010400	BOBBIN	1	
5	+	P022-023180	NUT	1	
6	+	P022-010380	NYLON CODE	1	
7	+	P022-000710	EYELET	2	T4
8	+	P022-010370	SPRING	1	

# NUMERICAL PARTS INDEX

Part No	Part description	Page	Part No	Part description	Page	Part No	Part description	Page
100013-35430	PIN, PISTON	2	900565-00005	NUT	20	A365-000060	CONNECTOR,CAP	14
100014-53630	SPACER, PISTON PIN	2	900565-50008	NUT	22	A369-000470	STRAINER, FUEL	14
100015-03931	CIRCLIP, PISTON PIN	2	900602-00005	WASHER 5	14	A409-001320	ROTOR, MAGNETO	6
100142-12330	KEY, WOODRUFF	6	900603-50008	WASHER	20	A411-001710	COIL, IGNITION	6
100212-42031	OILSEAL	4	900701-00009	CIRCLIP 9	20	A413-000080	BOOT	8
123114-40630	SCREW	12	900701-00012	CIRCLIP 12	8	A425-000060	SPARKPLUG	6
123126-10631	SCREEN, INLET	12	900702-00022	CIRCLIP 22	20	A426-000010	TERMINAL,SPARKPLUG	6
123137-19830	VALVE, INLET NEEDLE	12	900702-00028	CIRCLIP 28	8	A427-000220	CAP,SPARK PLUG	6
123138-03930	PIN, METERING LEVER	12	900702-00042	CIRCLIP 42	8	A553-000190	ARM, CLUTCH	8
123140-27230	GASKET,M. DIAPHRAGM	12	900702-00042	CIRCLIP 42	20	A556-001750	DRUM, CLUTCH	8
123142-03930	COVER, M. DIAPHRAGM	12	900706-00010	CIRCLIP 10	20	A575-000690	FIXTURE, MAIN PIPE	8
123173-07930	CLIP	12	900706-00012	CIRCLIP 12	20	C062-000194	HARNES,SHOULDER	26
123181-09560	PUMP, PRIMER	12	900720-00012	O-RING 12	20	C152-001030	CONNECTOR	6
131016-55830	GASKET, FUEL CAP	14	900800-36001	BEARING, BALL 6001	4	C400-000000	HANDLE,FRONT	22
131300-56431	VENT ASSEMBLY, FUEL	14	900807-06001	BEARING, BALL 6001	8	C403-000031	GRIP,HANDLE	22
132010-06530	PIPE 3*6* 85	14	900810-00629	BEARING, BALL 629	20	C423-000043	FIXTURE,HANDLE	22
132012-56030	PIPE	14	900810-36000	BEARING, BALL	4	C450-000270	CONTROL, THROTTLE	24
132115-55930	GROMMET, FUEL	14	900812-06302	BEARING, BALL	20	C460-000111	LOCKOUT, THROTTLE	24
145862-40630	SCREEN, MUFFLER	16	900855-06900	BEARING, BALL 6900	20	C463-000020	KNOB, LATCH	24
156110-04920	BUSHING	6	900858-06900	BEARING, BALL 6900Z	20	C504-000050	SHAFT,DRIVE	22
159112-09961	CLIP	24	91316-04010	SCREW	20	C534-000940	SHAFT, GEAR	20
175046-56030	SHAFT, CLUTCH	8	A011-001460	CRANKSHAFT,ASY	2	C535-000920	FIXTURE, BLADE	20
175048-05530	WASHER (I)	8	A021-004600	CARBURETOR, DIAPHRAGM	10	C535-000930	FIXTURE, BLADE	20
175049-56030	WASHER	8	A021-004600	CARBURETOR, DIAPHRAGM	12	C550-000541	SHIELD, BLADE	20
177220-40630	SPRING, REWIND	18	A051-003220	STARTER,RECOIL ASY	18	C550-000560	SHIELD, BLADE	20
177227-42030	GUIDE, ROPE	18	A052-000180	PULLEY,ASM STARTER	18	C552-000200	PLATE, SHIELD	20
177228-27030	GRIP, STARTER	18	A101-000010	RING,PISTON	2	C554-000030	KNIFE, CORD	20
177236-61830	SCREW	18	A127-000470	COVER,DUST	18	C646-000060	RING, HARNES	22
224924-52130	CLIP	22	A130-002330	CYLINDER	2	P003-001630	LEVER, METERING	12
605014-54230	WASHER	22	A160-003280	COVER,CYLINDER	2	P003-001670	DIAPHRAGM, METERING	12
610314-52130	PLATE, ADAPTER (L)	20	A172-003140	COVER,FAN	8	P003-001710	WASHER	12
610320-52130	NUT 10	20	A175-000040	STAND	14	P003-004510	COVER, FUEL PUMP	12
610352-56830	PLATE, CUP	20	A202-000300	BELLOWS, INTAKE	10	P003-004530	GASKET, FUEL PUMP	12
610434-50031	BOLT 8* 8	20	A206-000040	HOLDER, BELLOWS	10	P003-004540	DIAPHRAGM, FUEL PUMP	12
699229-56830	PLATE, COVER	20	A209-001000	PLATE, INSULATOR	10	P003-004560	SCREW	12
890152-04930	LABEL, CAUTION	22	A209-001010	PLATE, INSULATOR	10	P003-004570	SCREW	12
890332-52730	LABEL, CHOKE	10	A226-002030	ELEMENT, AIR FILTER	10	P003-005300	BODY ASSEMBLY, PUMP	12
890617-43130	LABEL,CAUTION	22	A226-002040	ELEMENT, AIR FILTER	10	P003-005850	SWIVEL	12
895415-66630	WRENCH, SPCKET	26	A227-000050	PLATE, ELEMENT	10	P003-005860	SCREW	12
900500-00005	NUT 5	24	A232-001890	LID,CLEANER	10	P003-005870	SPRING	12
900502-00006	NUT 6 (3N)	24	A244-000320	PLATE, PREVENT	10	P003-005880	NEEDLE	12
900515-00008	NUT, FLANGE 8	6	A313-002060	GUIDE, EXHAUST	16	P003-005890	CLIP	12
900518-00006	NUT, FLANGE	24	A320-001200	COVER,MUFFLER	16	P003-005900	PLATE	12
900562-00005	NUT, LOCK	20	A350-002350	TANK, FUEL	14	P021-012210	CAP,FUEL ASY	14
900565-00005	NUT	18				P021-016210	GRIP ASY,F-HANDLE	24

# NUMERICAL PARTS INDEX

Part No	Part description	Page	Part No	Part description	Page
P021-016232	FIXTURE,ASY HANDLE	22	V471-001230	PIPE	14
P021-042900	SHIELD ASY, BLADE	20	V475-007540	TUBE	6
P021-049000	MAIN PIPE ASY	22	V485-002880	LEAD	6
P021-050810	SHIELD BLADE ASY	20	V490-001230	CLIP	14
P021-050840	PISTON KIT	2	V490-001240	CLIP	14
P021-050850	CRANKCASE KIT	4	V503-000040	SEAL,OIL 10	4
P021-050860	CLUTCH ASY	8	V554-000020	BEARING,NEEDLE 9	2
P021-050880	CLEANER CASE ASY	10	V804-000010	BOLT, TORX 4	24
P021-050900	MUFFLER ASY	16	V804-000030	BOLT, TORX 4	16
P021-051000	FAN COVER ASY	8	V805-000050	BOLT, TORX 5	24
P021-051010	ON OFF SWITCH	24	V805-000130	BOLT, TORX 5	20
P021-051190	GEAR CASE ASY	20	V805-000140	BOLT, TORX 5	2
P022-000710	EYELET	28	V805-000140	BOLT, TORX 5	16
P022-002100	E-RING	18	V805-000140	BOLT, TORX 5	18
P022-006510	SPRING, RETURN	18	V805-000140	BOLT, TORX 5	22
P022-006850	PAWL, STARTER	18	V805-000150	BOLT, TORX 5	8
P022-008270	SPRING,DAMPER	18	V805-000150	BOLT, TORX 5	10
P022-010370	SPRING	28	V805-000150	BOLT, TORX 5	20
P022-010380	NYLON CODE	28	V805-000160	BOLT, TORX 5	8
P022-010400	BOBBIN	28	V805-000160	BOLT, TORX 5	14
P022-010410	COVER	28	V805-000170	BOLT, TORX 5	8
P022-010420	HOUSING	28	V805-000170	BOLT, TORX 5	14
P022-022110	ROPE, STARTER	18	V805-000170	BOLT, TORX 5	20
P022-023180	NUT	28	V805-000170	BOLT, TORX 5	22
P022-033310	PLATE, CAM	18	V805-000210	BOLT, TORX 5	2
P022-033320	DRUM, STARTER	18	V805-000210	BOLT, TORX 5	6
P022-037670	STOPPER, ROPE	18	V805-000220	BOLT, TORX 5	4
P022-043670	STATER CASE	18	V805-000250	BOLT, TORX 5	16
V000-000110	GEAR SET, BEVEL	20	V805-000260	BOLT, TORX 5	20
V100-000840	GASKET,CYL	2	V805-000340	BOLT, TORX 5	10
V102-000300	GASKET,CRANKCASE	4	V806-000020	BOLT, TORX 6	20
V103-001890	GASKET,INTAKE	10	V855-000000	BOLT, TORX 5	10
V103-001900	GASKET,INTAKE	10	X047-000321	CUTTER,ASM LINE	26
V104-002300	GASKET,EXHAUST	16	X047-000321	CUTTER,ASM LINE	28
V104-002310	GASKET,EXHAUST	16	X524-005230	LABEL	20
V186-000500	JOINT,PIPE	14	X547-002980	LABEL,ECHO	18
V299-000110	KNOB,FASTENER	22	X547-002990	LABEL,ECHO	2
V299-000290	KNOB,FASTENER	10	X605-000170	TOOL,L WRENCH	26
V313-000090	WASHER,CIRCULAR 20	20	X606-000080	TOOL,BAR	26
V323-000070	WASHER,CIRCULAR 5	6	X690-000080	GOGGLE	26
V430-004950	CABLE,BOWDEN	24			
V451-001390	SPRING,TENSION	8			
V452-000350	SPRING,TORSION	24			
V452-000360	SPRING,TORSION	24			
V452-001310	SPRING,TORSION	20			