

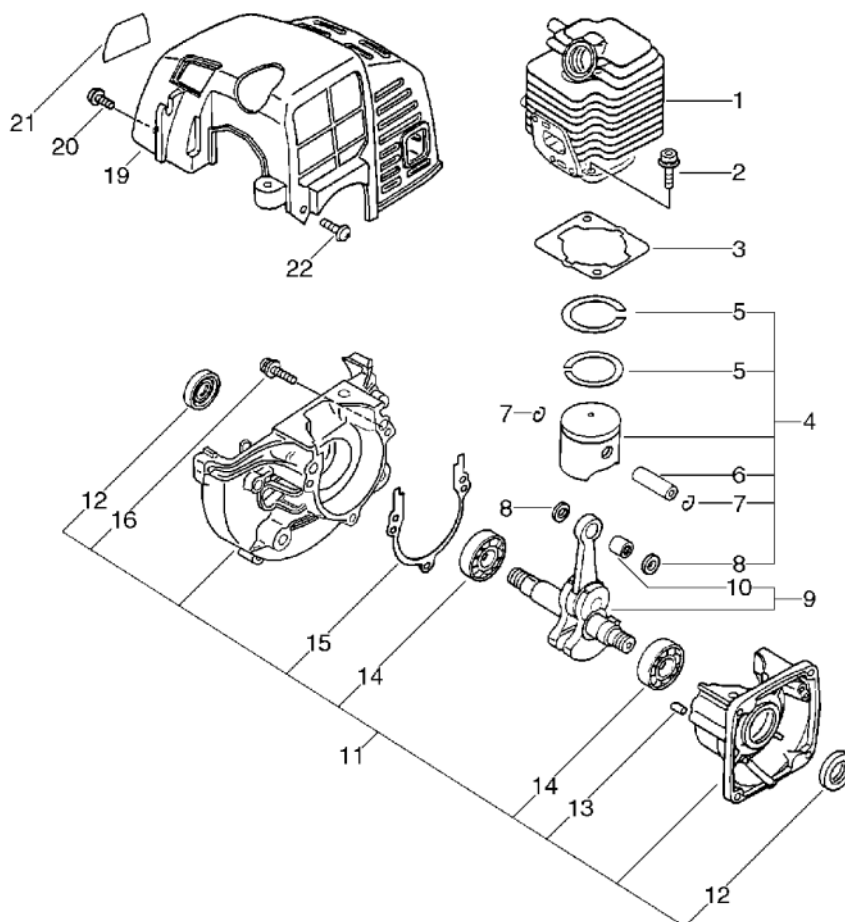


PARTS CATALOGUE

GRASS-TRIMMER / BRUSHCUTTER

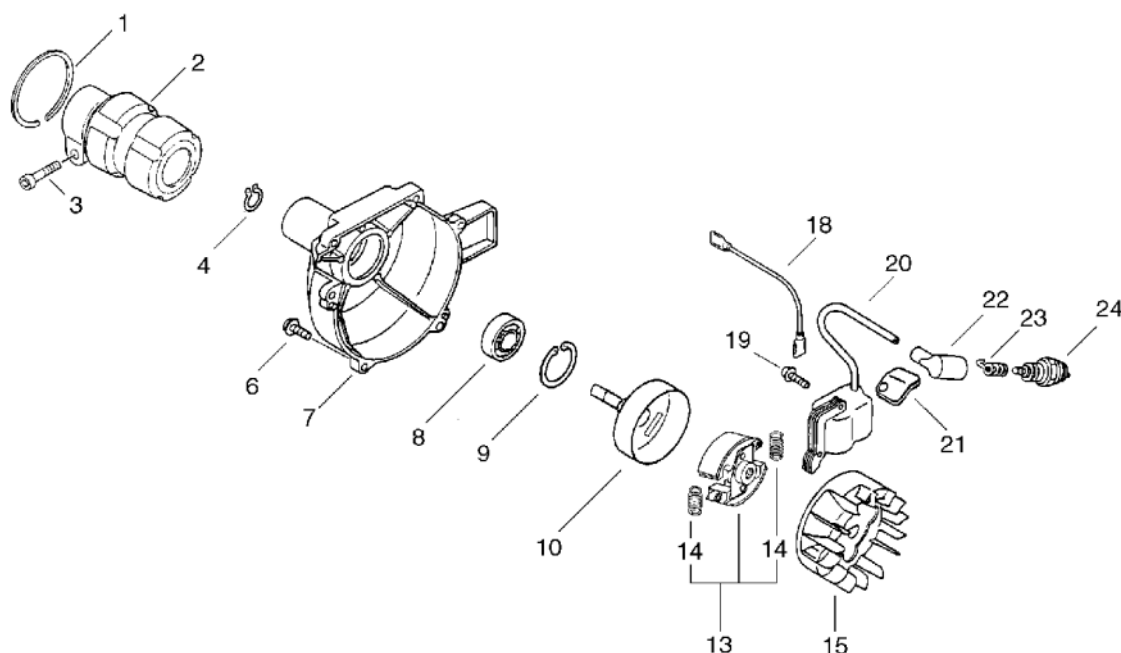
SRM-250SI(35)(36)

1. Cylinder, Crankcase, Piston



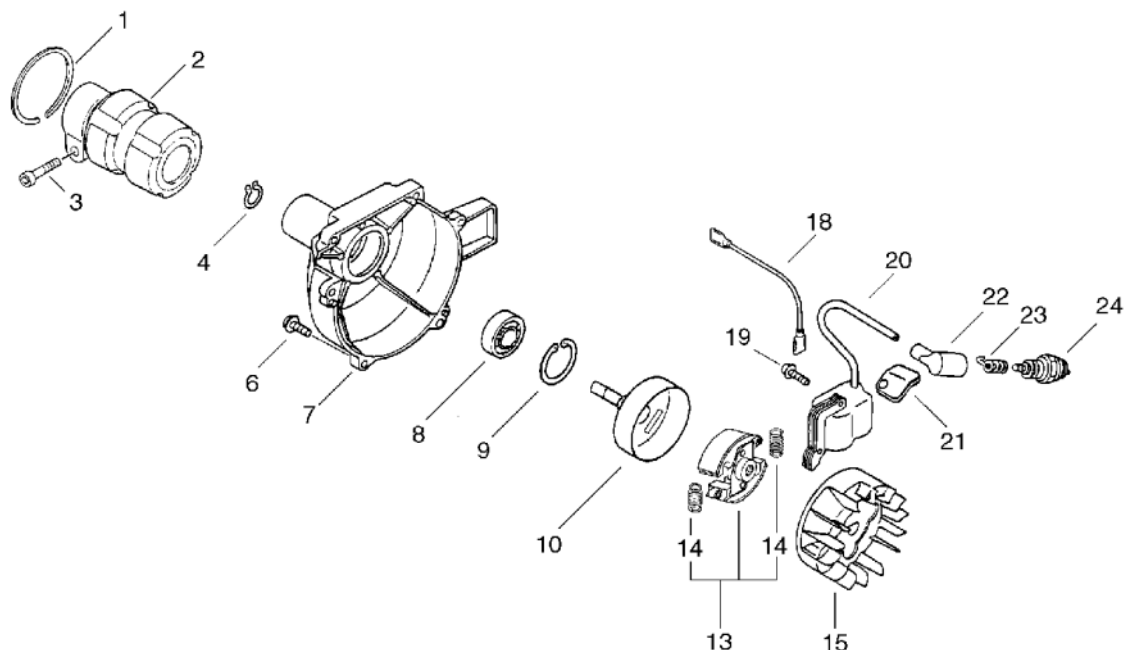
KEY	LV	PART NUMBER	Q'TY	DESCRIPTION	REMARKS	NOTE1	NOTE2
1		101011-08961	1	CYLINDER (CR)			
2		900162-05022	2	BOLT, H.S. 5*22	5*22 W,SW		
3		101010-44332	1	GASKET, CYL. BASE			
4		100000-09563	1	PISTON KIT			
5	+	100011-09560	2	RING, PISTON			
6	+	100013-11520	1	PIN, PISTON			
7	+	100015-04630	2	CIRCLIP, PISTON PIN			
8	+	100014-11520	2	SPACER, PISTON PIN			
9		A011-000101	1	CRANKSHAFT,ASM			
10	+	V553-000010	1	BEARING,NEEDLE 8	HK0810		
11		100204-52131	1	CRANKCASE KIT			
12	+	100212-42031	2	OILSEAL	ISCD 12*22*4.5		
13	+	100215-03930	2	PIN, DOWEL			
14	+	94035-36201	2	BEARING BALL	6201X3JR2C3		
15	+	100242-42030	1	GASKET, CRANKCASE			
16	+	900162-05028	3	BOLT, H.S. 5*28	5*28 W,SW		
19		101514-42031	1	COVER, CYLINDER			
20		900238-04012	2	SCREW 4*12	4*12		
21		X543-000420	1	LABEL,MODEL	SRM-250SI	Sus. by X543-000180	
21		X543-000180	1	LABEL,MODEL	SRM-210SB		
22		900238-04016	2	SCREW 4*16	4*16		

2. Magneto, Clutch, Fan Cover(Sr/Nr 36022324 and before)



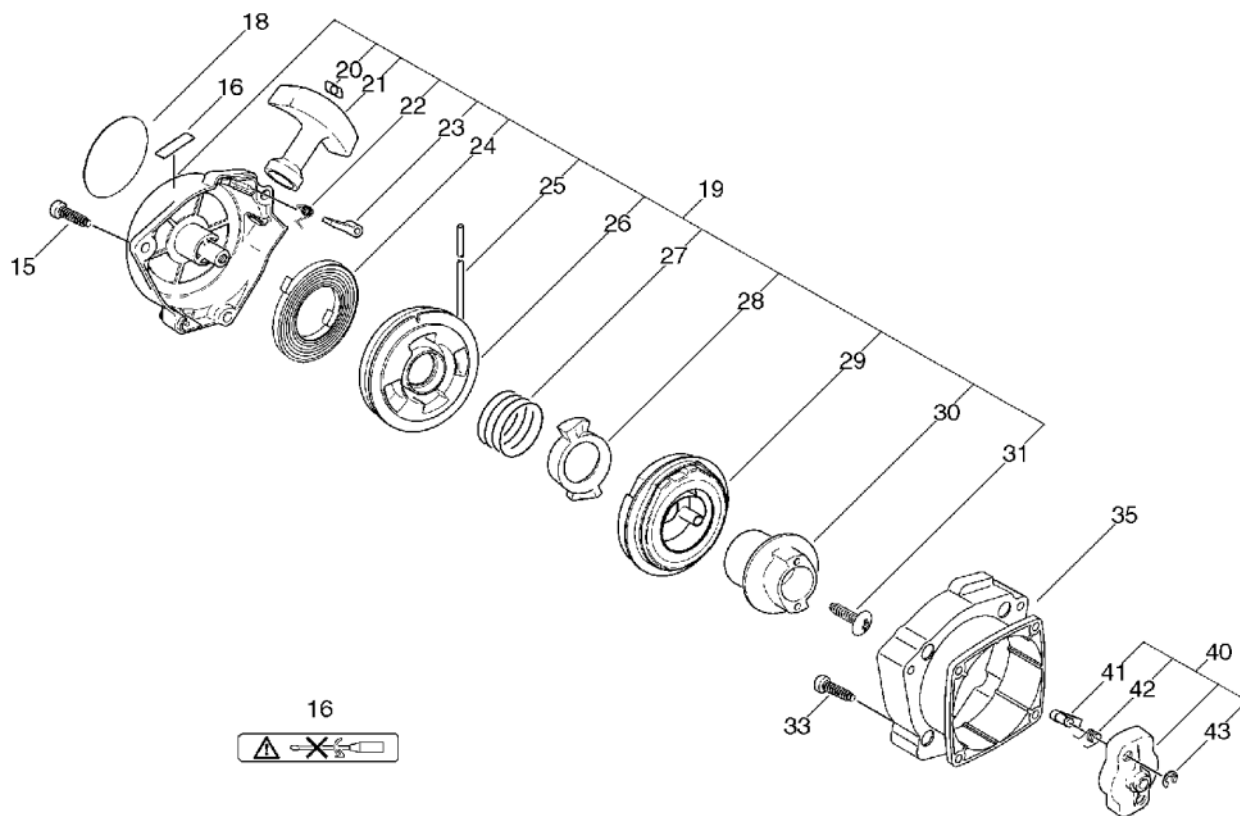
KEY	LV	PART NUMBER	Q'TY	DESCRIPTION	REMARKS	NOTE1	NOTE2
1		900702-00042	1	CIRCLIP 42	CR-42		
2		610922-55931	1	HOLDER, MAIN PIPE		Sus. by A575-000110	
2		A575-000110	1	FIXTURE,MAIN PIPE			
3		900162-05028	1	BOLT, H.S. 5*28	5*28 W,SW	Sus. by 91118-05028	
4		900701-00012	1	CIRCLIP 12	CS-12		
6		900238-04016	4	SCREW 4*16	4*16		
7		A172-000400	1	COVER,FAN			
8		900814-06201	1	BEARING, BALL 6201	6201ZZ		
9		900702-00032	1	CIRCLIP 32	CR-32		
10		A556-000260	1	DRUM,CLUTCH			
13		175000-52733	1	CLUTCH ASY		Sus. by 175000-52734	
14	+	175018-52131	2	SPRING, CLUTCH			
15		A409-000000	1	ROTOR,MAGNETO			
18		162010-52830	1	LEAD, GROUND		Sus. by V485-000580	
18		V485-000580	1	LEAD	L=165		
19		900162-04022	2	BOLT, H.S. 4*22	4*22 W,SW		
20		156601-52130	1	COIL, IGNITION			
21		150112-42030	1	BUSHING			
22		159012-03433	1	CAP, SPARK PLUG			
23		159011-03432	1	COIL, SPARK PLUG			
24		159010-10230	1	PLUG, SPARK (BPMR-7A	BPMR-7A		

3. Magneto, Clutch, Fan Cover(Sr/Nr 36022325 and after)



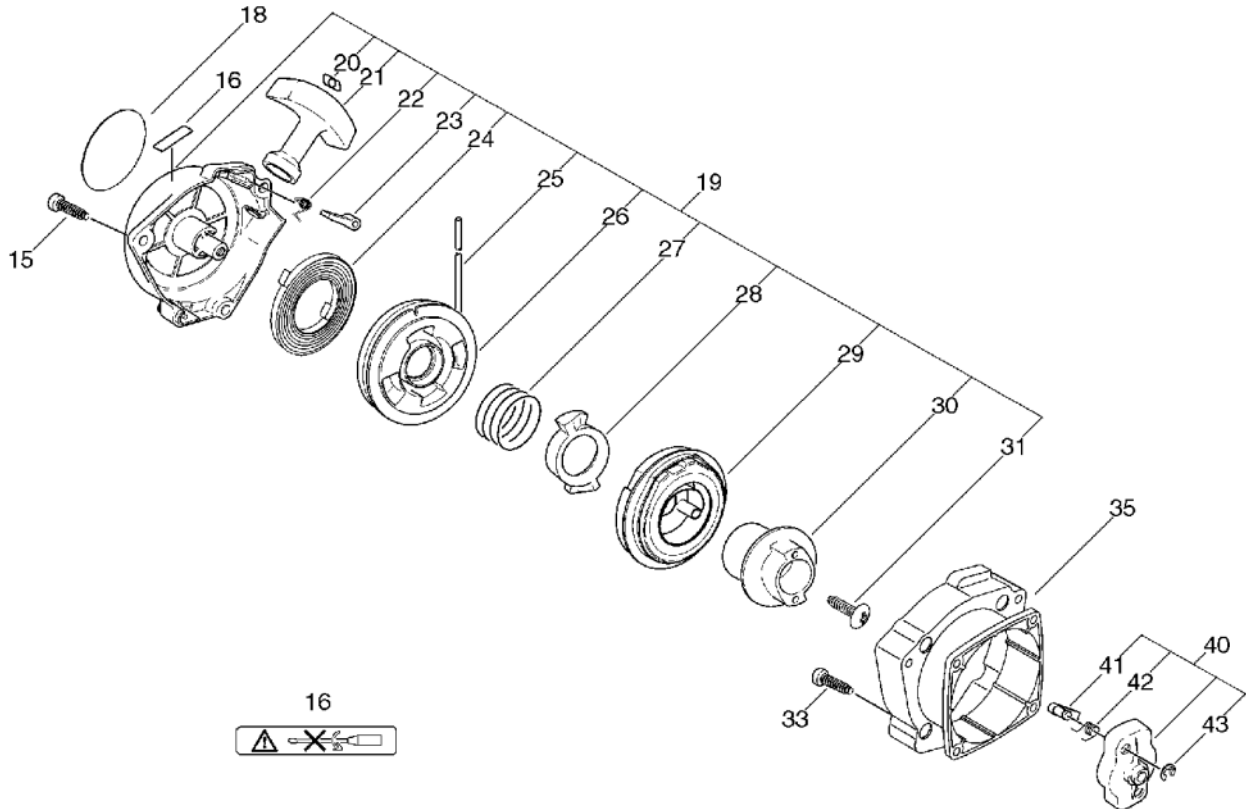
KEY	LV	PART NUMBER	Q'TY	DESCRIPTION	REMARKS	NOTE1	NOTE2
1		900702-00042	1	CIRCLIP 42	CR-42		
2		A575-000110	1	FIXTURE,MAIN PIPE			
3		91118-05028	1	BOLT	CM-5*28		
4		900701-00012	1	CIRCLIP 12	CS-12		
6		900238-04016	4	SCREW 4*16	4*16		
7		A172-000400	1	COVER,FAN			
8		900814-06201	1	BEARING, BALL 6201	6201ZZ		
9		900702-00032	1	CIRCLIP 32	CR-32		
10		A556-000260	1	DRUM,CLUTCH			
13		175000-52733	1	CLUTCH ASY		Sus. by 175000-52734	
13		175000-52734	1	CLUTCH ASY			
14	+	175018-52131	2	SPRING, CLUTCH			
15		A409-000000	1	ROTOR,MAGNETO			
18		V485-000580	1	LEAD	L=165		
19		900162-04022	2	BOLT, H.S. 4*22	4*22 W,SW		
20		156601-52130	1	COIL, IGNITION			
21		150112-42030	1	BUSHING			
22		159012-03433	1	CAP, SPARK PLUG			
23		159011-03432	1	COIL, SPARK PLUG			
24		159010-10230	1	PLUG, SPARK (BPMR-7A)	BPMR-7A		

4. Starter



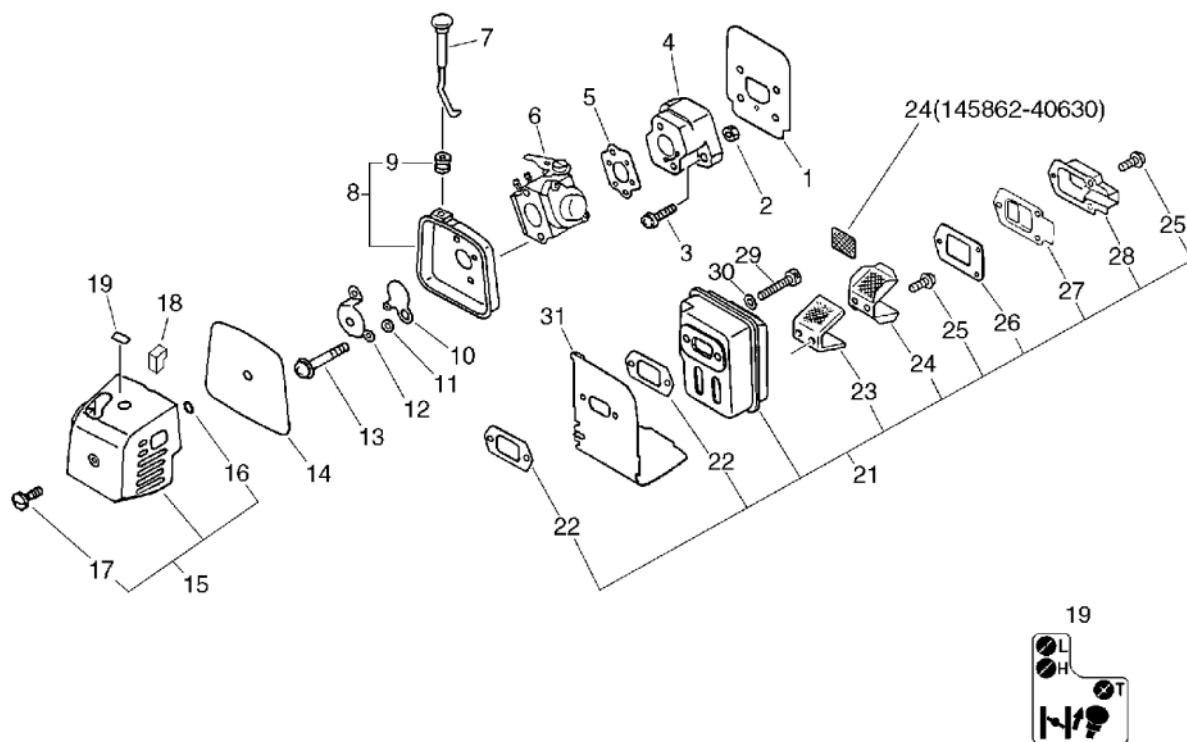
KEY	LV	PART NUMBER	Q'TY	DESCRIPTION	REMARKS	NOTE1	NOTE2
15		900253-05020	3	SCREW 5*20	5*20		
16		X505-000620	1	LABEL,CAUTION			
18		X502-000032	1	LABEL,ECHO		Sus. by X502-000160	
18		X502-000160	1	LABEL,ECHO	ECHO		
19		A051-000350	1	STARTER,RECOIL		Sus. by A051-000351	
19		A051-000351	1	STARTER,RECOIL			
20	+	177246-11120	1	CLIP, STARTER ROPE			
21	+	177228-27030	1	GRIP, STARTER			
22	+	P022-004610	2	SPRING, RETURN			
23	+	P022-004620	2	PAWL, STARTER			
24	+	P022-004680	1	SPRING, SPIRAL			
25	+	P022-004600	1	ROPE,STARTER	3.0*920		
26	+	P022-004690	1	REEL,ROPE			
27	+	P022-004660	1	SPRING, RETURN			
28	+	P022-004670	1	PAWL, STARTER			
29	+	P022-004700	1	COMPLETE,SPRING			
30	+	P022-004640	1	PLATE,CAM			
31	+	P022-004630	1	SCREW			
33		900162-04016	2	BOLT, H.S. 4*16	4*16 W,SW	Sus. by 900238-04016	
33		900238-04016	2	SCREW 4*16	4*16		
35		V376-000361	1	SPACER			
40		A052-000130	1	PULLEY,ASM STARTER			
41	+	P022-004740	2	PAWL,STARTER			

4. Starter



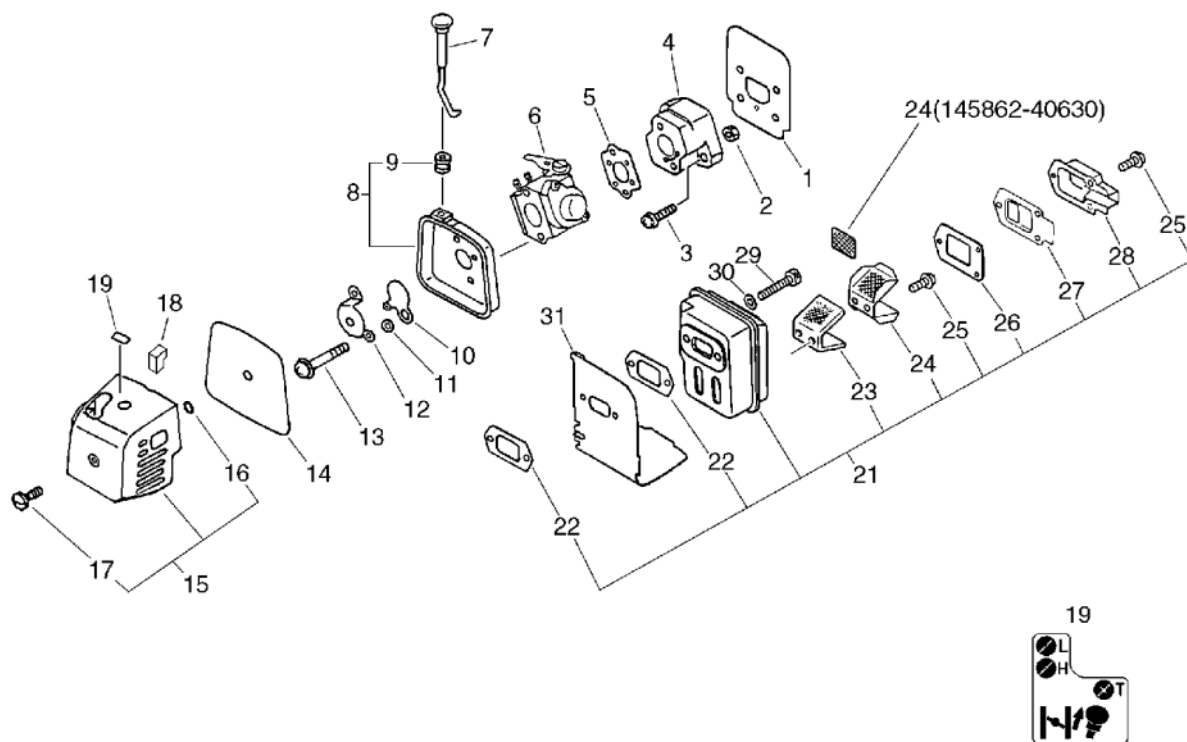
KEY	LV	PART NUMBER	Q'TY	DESCRIPTION	REMARKS	NOTE1	NOTE2
42	+	P022-006510	2	SPRING, RETURN			
43	+	P022-002100	2	E-RING	4		

5. Air Cleaner, Muffler



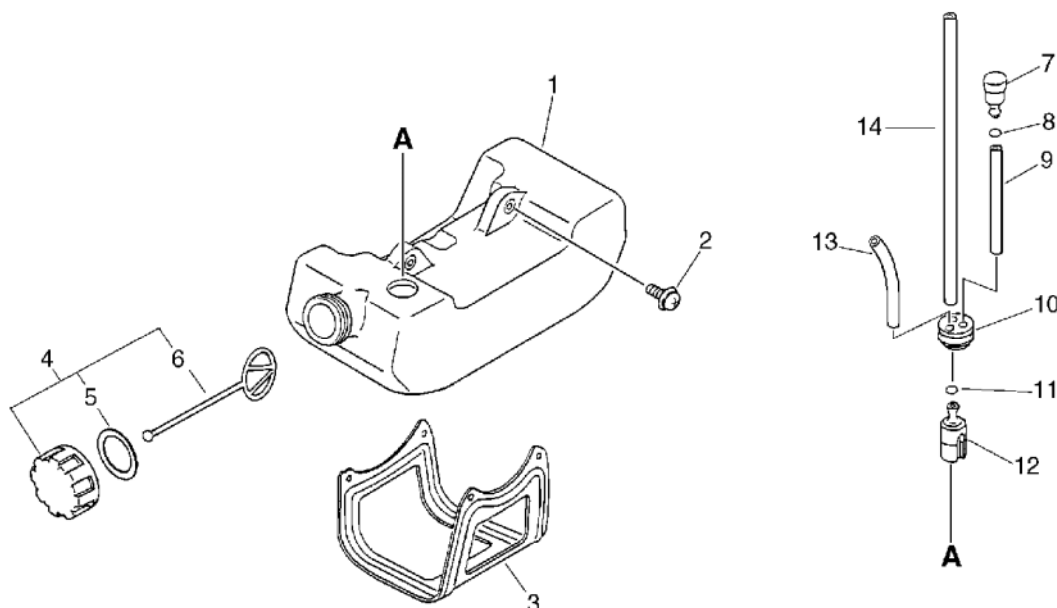
KEY	LV	PART NUMBER	Q'TY	DESCRIPTION	REMARKS	NOTE1	NOTE2
1		130010-42032	1	GASKET,INTAKE			
2		900500-00005	2	NUT 5	5		
3		900238-05020	2	SCREW 5*20	5*20		
4		130017-42031	1	INSULATOR, INTAKE			
5		130016-42031	1	GASKET, INTAKE			
6		125200-52432	1	CARBURETOR	C1U-K53A	Sus. by 125200-52433	
6		125200-52433	1	CARBURETOR	C1U-K53B		
7		178510-48830	1	ROD, CHOKE			
8		130301-04560	1	CASE, AIR CLEANER			
9	+	178810-05230	1	GROMMET			
10		178515-04560	1	SHUTTER, CHOKE			
11		178516-00830	1	SPACER	5.2*8*0.8T		
12		130410-44730	1	BRACKET, AIR CLEANER			
13		900242-05057	2	SCREW 5*57	5*57		
14		130310-04560	1	FILTER, AIR			
15		130302-50630	1	COVER ASSY, AIR CLN.			
16	+	900720-00004	1	O-RING (P-4)	P-4		
17	+	130415-40630	1	SCREW			
18		130336-52130	2	PLUG			
19		890121-47530	1	LABEL, CHOKE			
21		145803-52131	1	MUFFLER ASY		Sus. by P021-008360	
21		P021-008360	1	MUFFLER ASY			
22	+	V104-000160	2	GASKET,EXHAUST			

5. Air Cleaner, Muffler



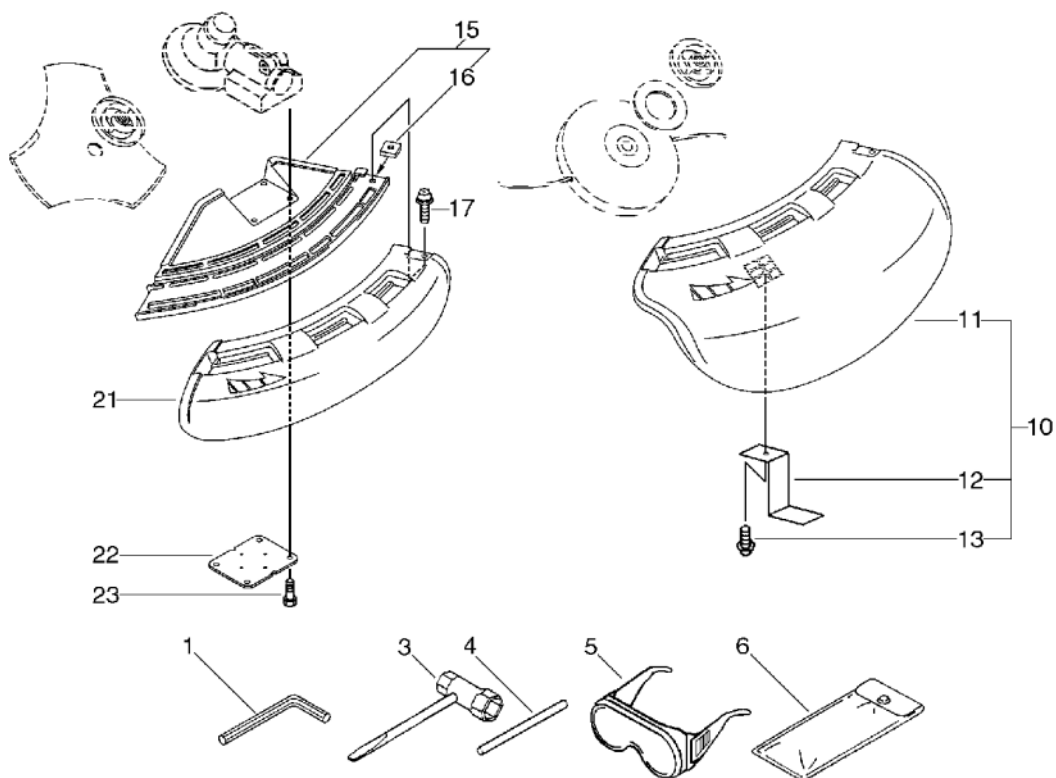
KEY	LV	PART NUMBER	Q'TY	DESCRIPTION	REMARKS	NOTE1	NOTE2
23	+	145820-52130	1	CATALYST		Sr/Nr 35003612 and before	
24	+	145862-52130	1	SCREEN, MUFFLER		Sus. by 145862- 40630	
24	+	145862-40630	1	SCREEN, MUFFLER			
25	+	900238-04010	5	SCREW 4*10	4*10	Can be used on 145803-52131	
25	+	900238-04010	3	SCREW 4*10	4*10	Can be used on P021-008360	
26	+	145866-42031	1	GASKET, MUFFLER LID			
27	+	145876-42030	1	LID, MUFFLER (B)			
28	+	145863-42030	1	HOLDER, SCREEN			
29		900105-05055	2	BOLT, H.S. 5*55	5*55		
30		900600-00005	2	WASHER 5	5		
31		A320-000250	1	COVER,MUFFLER		Sus. by A320- 000251	
31		A320-000251	1	COVER,MUFFLER			

6. Fuel Tank



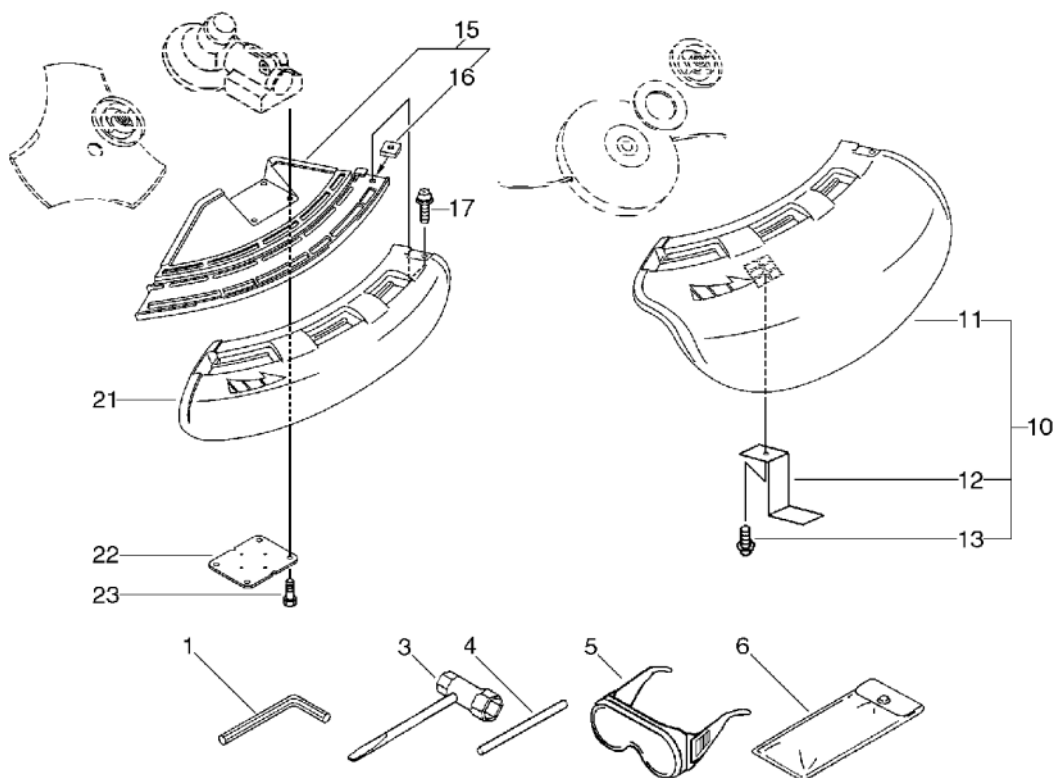
KEY	LV	PART NUMBER	Q'TY	DESCRIPTION	REMARKS	NOTE1	NOTE2
1		131005-44332	1	TANK, FUEL			
2		900243-05016	2	SCREW 5*16	5*16		
3		305110-42030	1	STAND (BL)			
4		131004-55530	1	CAP ASSY, FUEL TANK			
5	+	131016-55830	1	GASKET, FUEL CAP			
6	+	131051-56030	1	CLIP, FUEL CAP	100L		
7		131300-56430	1	VALVE, CHECK			
8		130111-00530	1	CLIP	5.5		
9		131312-44330	1	PIPE, 3*5*70L	3*5*70L NBR	Sus. by V471-001200	
9		V471-001200	1	PIPE	3*5*70 NBR		
10		132115-46730	1	GROMMET, FUEL			
11		132013-09820	1	CLIP	6MM		
12		131205-07320	1	STRAINER, FUEL			
13		132010-56330	1	PIPE 3*6*90	3*6*90 YL		
14		132010-13930	1	PIPE, FUEL	3*5*180L NBR	Sus. by V471-001190	
14		V471-001190	1	PIPE	3*5*180 NBR		

7. Shield, Tools(Sr/Nr 36022324 and before)



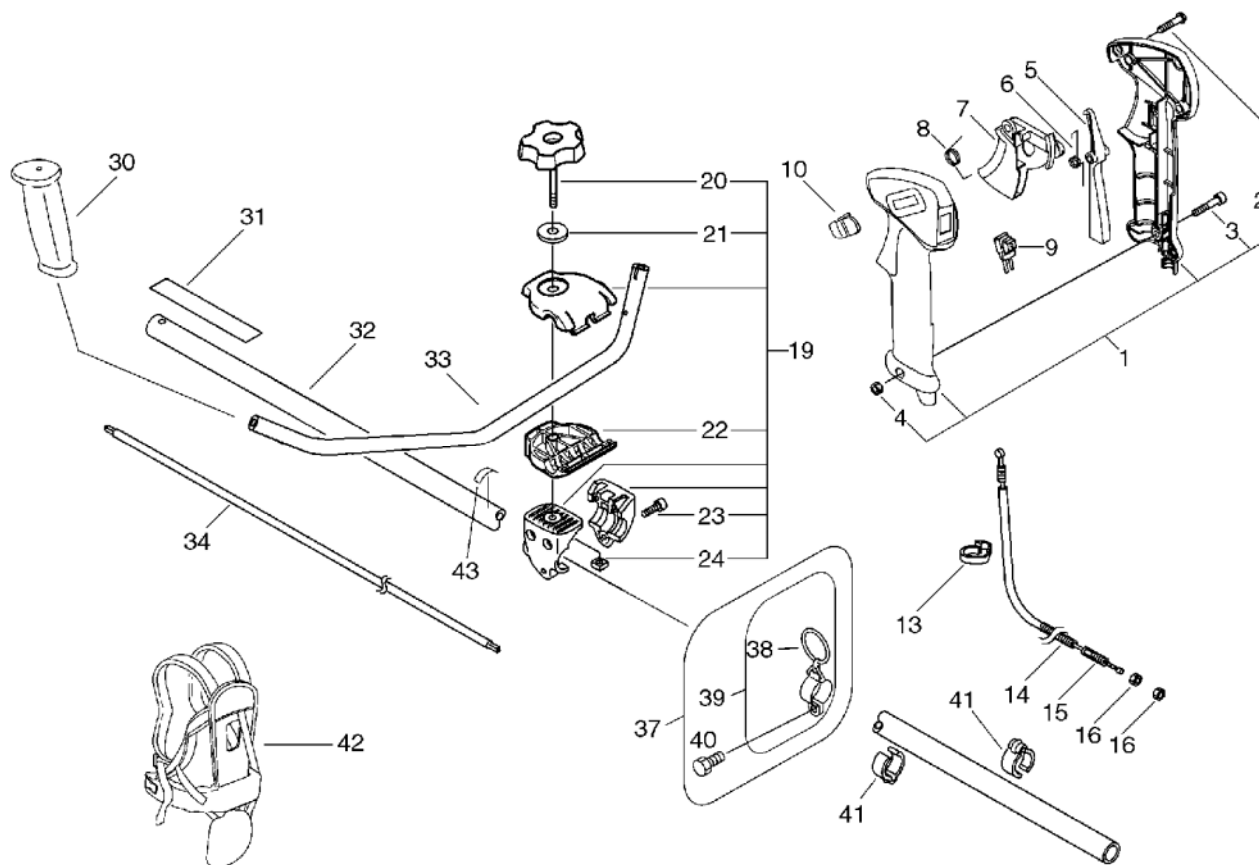
KEY	LV	PART NUMBER	Q'TY	DESCRIPTION	REMARKS	NOTE1	NOTE2
1		895610-00130	1	L-WRENCH (4MM)			
3		X602-000020	1	TOOL,WRENCH	17*19 L200		
4		897518-01131	1	LOCKING TOOL			
5		P021-002861	1	GOGGLES			
6		898510-39130	1	BAG, TOOL			
10		P021-002620	1	SHIELD,BLADE(W/KNIFE			
11	+	C550-000080	1	SHIELD,BLADE			
12	+	C554-000000	1	KNIFE,CORD			
13	+	900252-05012	1	SCREW 5*12	5*12		
15		C550-000100	1	SHIELD,BLADE			
16	+	900565-00005	1	NUT	5		
17		900242-05018	1	SCREW 5*18	5*18		
21		C550-000090	1	SHIELD,BLADE			
22		699013-56830	1	PLATE, SHIELD			
23		900162-05025	4	BOLT, H.S. 5*25	5*25 W,SW	Sus. by 91118-05025	

8. Shield, Tools(Sr/Nr 36022325 and after)



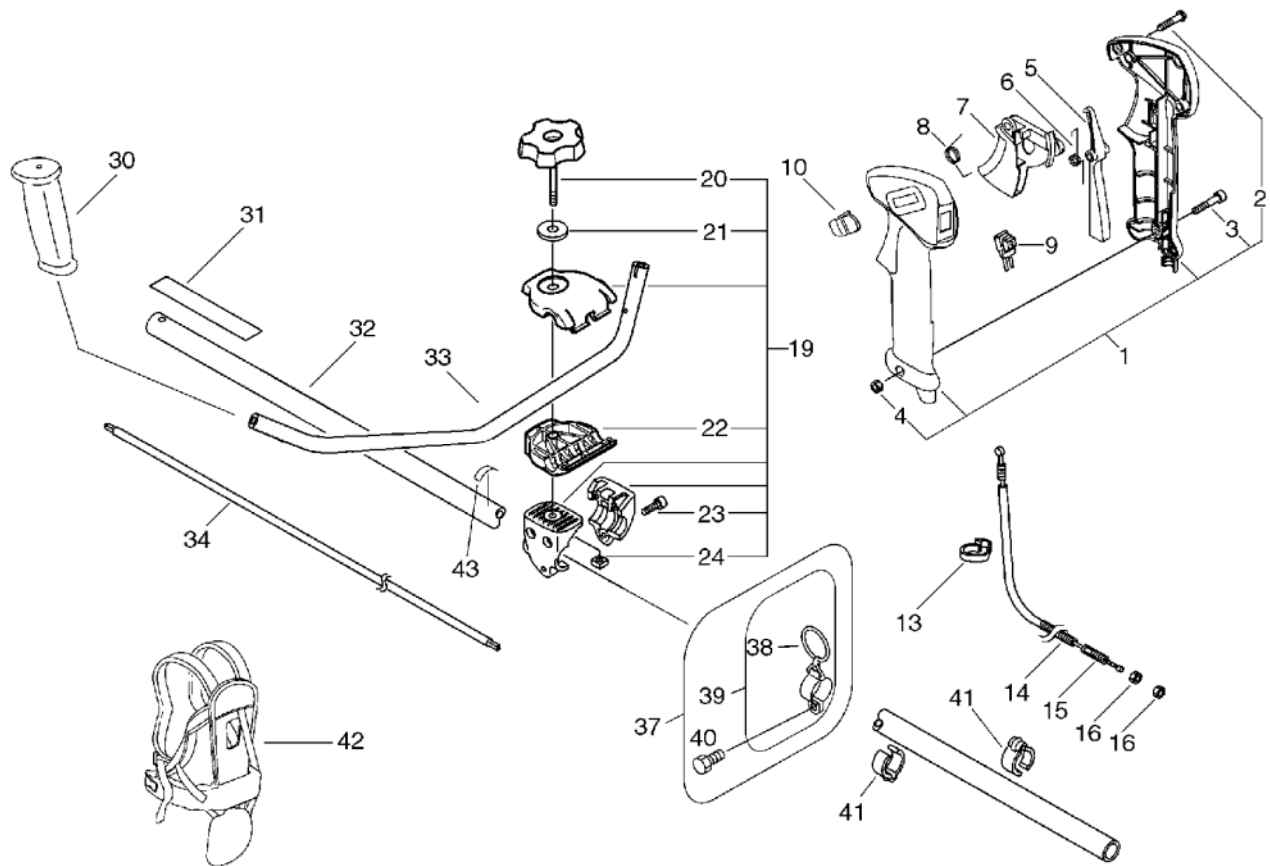
KEY	LV	PART NUMBER	Q'TY	DESCRIPTION	REMARKS	NOTE1	NOTE2
1		895610-00130	1	L-WRENCH (4MM)			
3		X602-000020	1	TOOL,WRENCH	17*19 L200		
4		897518-01131	1	LOCKING TOOL			
5		P021-002861	1	GOGGLES			
6		898510-39130	1	BAG, TOOL			
10		P021-002620	1	SHIELD,BLADE(W/KNIFE)			
11	+	C550-000080	1	SHIELD,BLADE			
12	+	C554-000000	1	KNIFE,CORD			
13	+	900252-05012	1	SCREW 5*12	5*12		
15		C550-000100	1	SHIELD,BLADE			
16	+	900565-00005	1	NUT	5		
17		900242-05018	1	SCREW 5*18	5*18		
21		C550-000090	1	SHIELD,BLADE			
22		699013-56830	1	PLATE, SHIELD			
23		91118-05025	4	BOLT	CM-5*25		

9. U-Handle(Sr/Nr 36022324 and before)



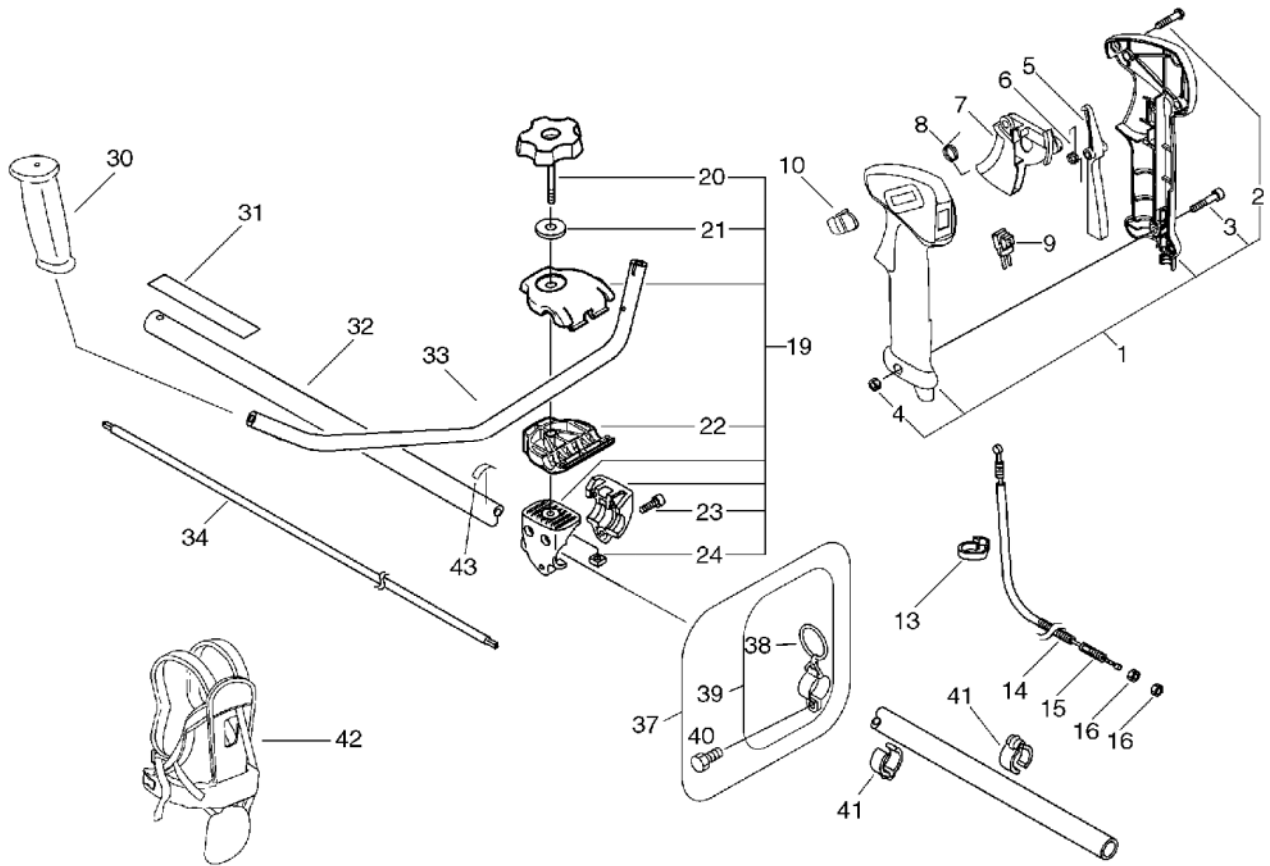
KEY	LV	PART NUMBER	Q'TY	DESCRIPTION	REMARKS	NOTE1	NOTE2
1		P021-002611	1	GRIP ASY,F-HANDLE		Sus. by P021-002612	
1		P021-002612	1	GRIP ASY,F-HANDLE			
2	+	900253-04016	3	SCREW 4*16	4*16		
3	+	900220-05030	1	SCREW 5*30	5*30		
4	+	900500-00005	1	NUT 5	5		
5		C460-000011	1	LOCKOUT,THROTTLE			
6		V452-000130	1	SPRING,TORSION			
7		C450-000022	1	TRIGGER,THROTTLE			
8		V452-000060	1	SPRING,TORSION			
9		163401-49230	1	SWITCH, IGNITION		Sus. by A440-000580	
9		A440-000580	1	SWITCH,ON OFF			
10		C463-000000	1	KNOB,LATCH			
13		159112-09960	1	CLIP		Sus. by 159112-09961	
13		159112-09961	1	CLIP			
14		178127-47530	1	TUBE	7*10*760	Sus. by V475-003400	
14		V475-003400	1	TUBE	7*720		
15		V430-000410	1	CABLE,BOWDEN			
16		900502-00006	2	NUT 6 (3N)	3N6		
19		P021-002751	1	BRACKET ASY, HANDLE		Sus. by P021-012820	
20	+	V299-000110	1	KNOB,FASTENER			
21	+	605014-54230	1	WASHER			

9. U-Handle(Sr/Nr 36022324 and before)



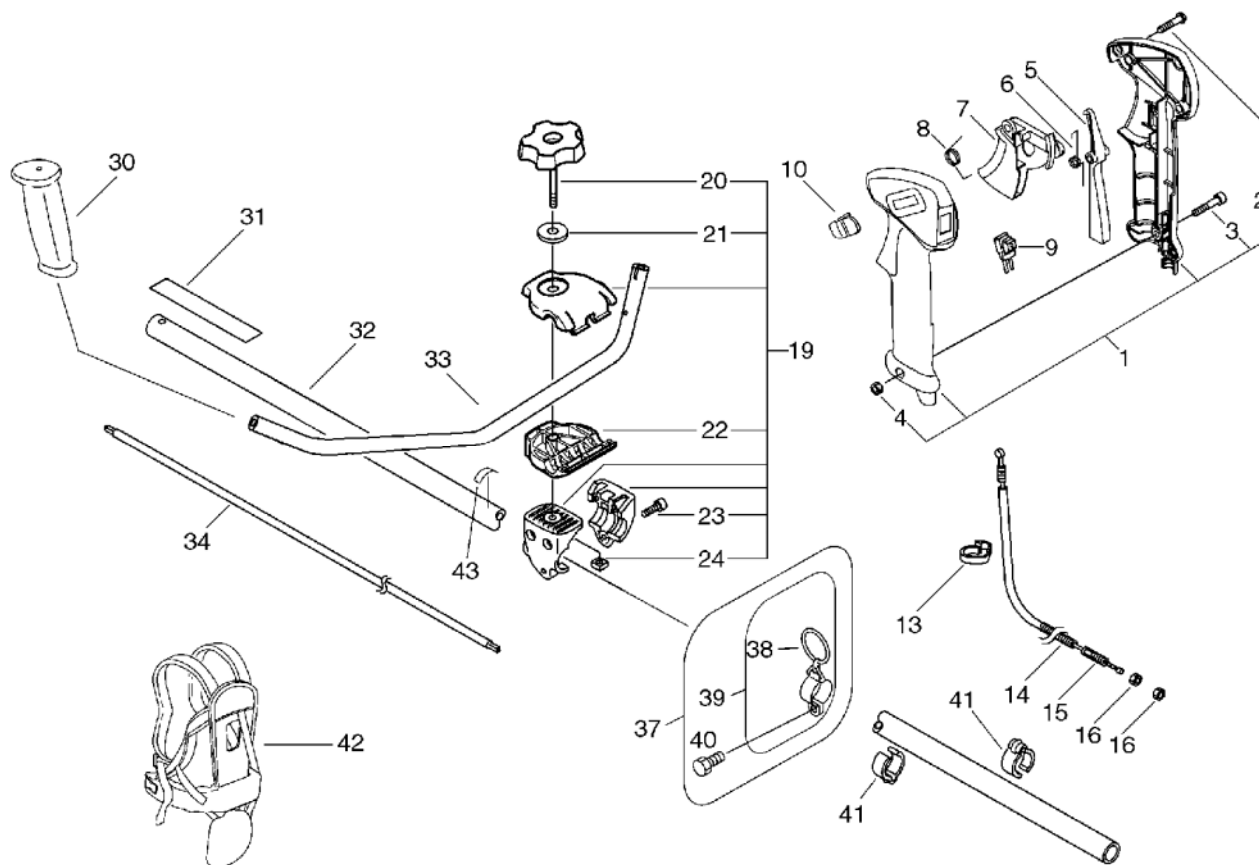
KEY	LV	PART NUMBER	Q'TY	DESCRIPTION	REMARKS	NOTE1	NOTE2
22	+	C423-000041	1	FIXTURE,HANDLE			
23	+	900162-05030	3	BOLT, H.S. 5*30	5*30 W,SW	Sus. by 91118-05030	
24	+	900565-50008	1	NUT	8*1.25		
30		C403-000030	1	GRIP,HANDLE		Sus. by C403-000031	
30		C403-000031	1	GRIP,HANDLE			
31		890617-43130	1	LABEL,CAUTION			
32		C050-000320	1	PIPE,MAIN			
33		C400-000210	1	HANDLE,FRONT	ハンドル 19	Sus. by C400-000211	
33		C400-000211	1	HANDLE,FRONT			
34		C504-000050	1	SHAFT,DRIVE	7*1540		
37		301200-21330	1	HOOK ASS'Y		Sus. by P021-013000	
38	+	301015-05330	1	HOOK, BAND			
39	+	301205-21330	1	HOOK			
40		900105-05012	1	BOLT, H.S. 5*12	5*12	Sus. by 91119-05012	
41		224924-52130	2	CLIP	25MM		
42		301001-56831	1	HARNESS ASY,SHOULDER		Sus. by C062-000181	
42		C062-000180	1	HARNESS,SHOULDER	ECHO	Sus. by C062-000181	
42		C062-000181	1	HARNESS,SHOULDER		Sus. by C062-000182	

9. U-Handle(Sr/Nr 36022324 and before)



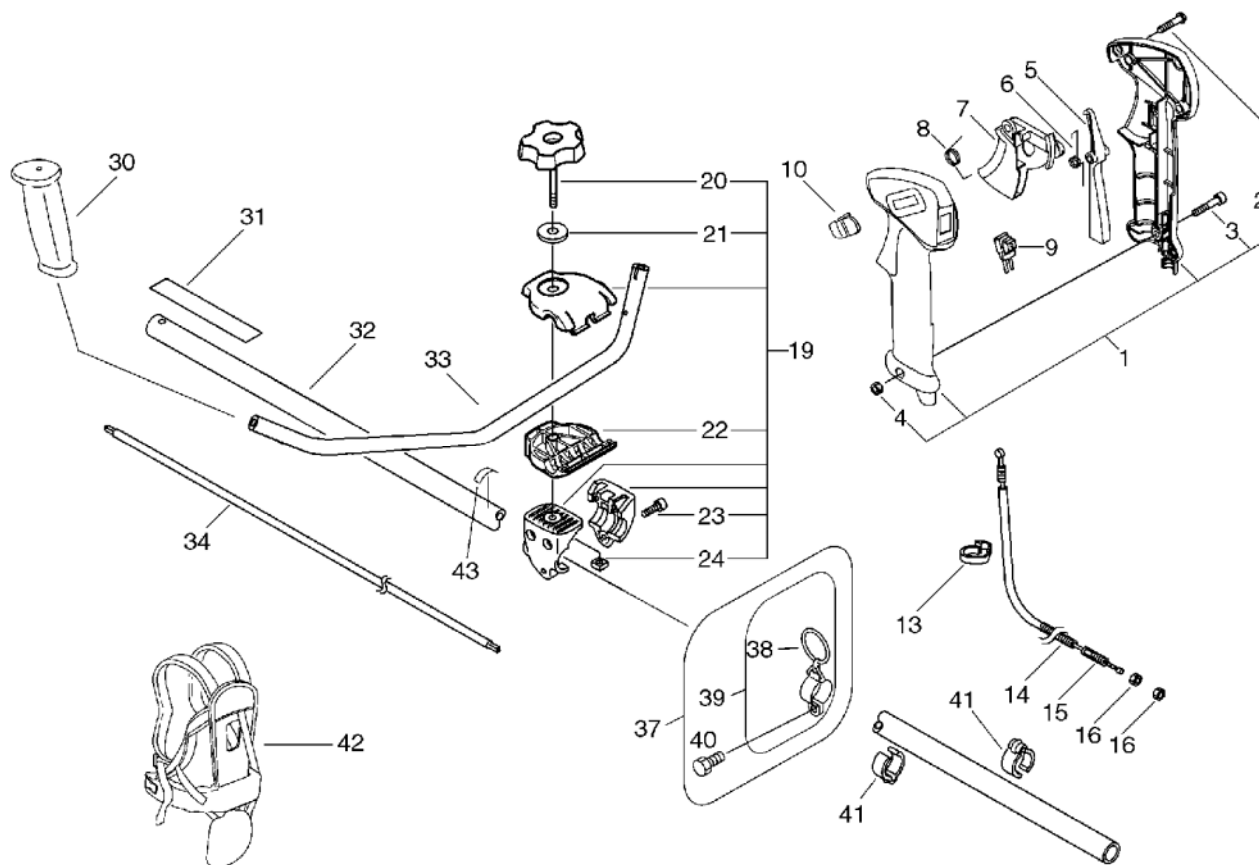
KEY	LV	PART NUMBER	Q'TY	DESCRIPTION	REMARKS	NOTE1	NOTE2
43		890152-04930	1	LABEL, CAUTION			

10. U-Handle(Sr/Nr 36022325 and after)



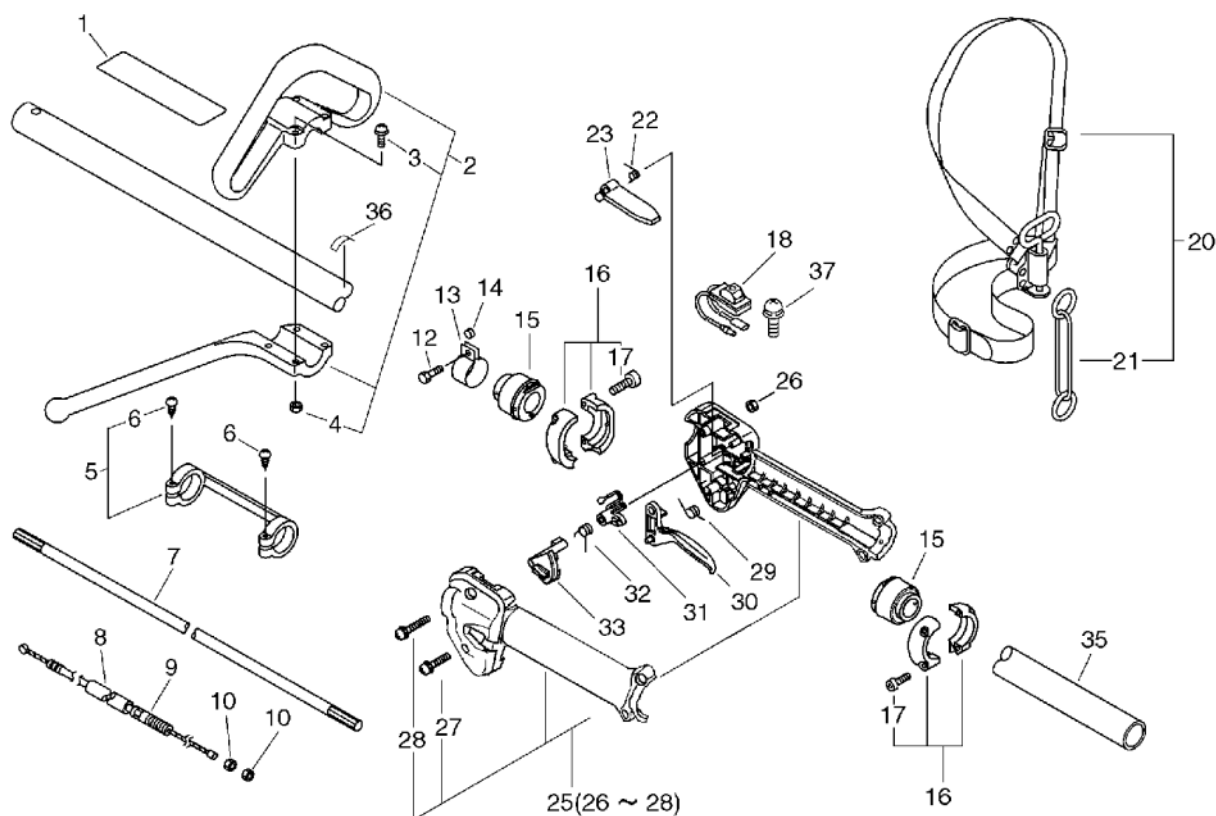
KEY	LV	PART NUMBER	Q'TY	DESCRIPTION	REMARKS	NOTE1	NOTE2
1		P021-002612	1	GRIP ASY,F-HANDLE			
2	+	900253-04016	3	SCREW 4*16	4*16		
3	+	900220-05030	1	SCREW 5*30	5*30		
4	+	900500-00005	1	NUT 5	5		
5		C460-000011	1	LOCKOUT,THROTTLE			
6		V452-000130	1	SPRING,TORSION			
7		C450-000022	1	TRIGGER,THROTTLE			
8		V452-000060	1	SPRING,TORSION			
9		A440-000580	1	SWITCH,ON OFF			
10		C463-000000	1	KNOB,LATCH			
13		159112-09961	1	CLIP			
14		V475-003400	1	TUBE	7*720		
15		V430-000410	1	CABLE,BOWDEN			
16		900502-00006	2	NUT 6 (3N)	3N6		
19		P021-012820	1	FIXTURE,ASY HANDLE	SRM-2655SI		
20	+	V299-000110	1	KNOB,FASTENER			
21	+	605014-54230	1	WASHER			
22	+	C423-000041	1	FIXTURE,HANDLE			
23	+	91118-05030	3	BOLT			
24	+	900565-50008	1	NUT	8*1.25		
30		C403-000031	1	GRIP,HANDLE			
31		890617-43130	1	LABEL,CAUTION			
32		C050-000320	1	PIPE,MAIN			
33		C400-000211	1	HANDLE,FRONT			
34		C504-000050	1	SHAFT,DRIVE	7*1540		
37		P021-013000	1	RING, HARNESS ASSY	SRM-2655SI		

10. U-Handle(Sr/Nr 36022325 and after)



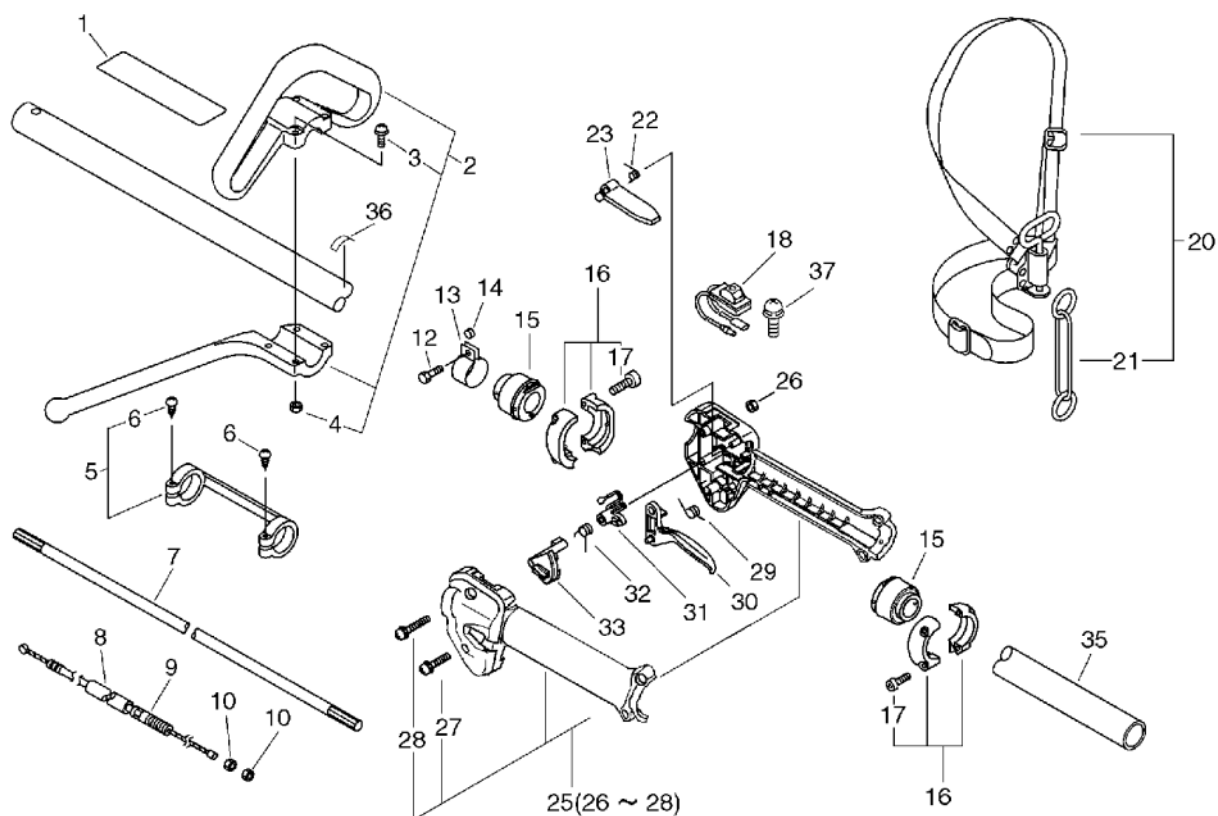
KEY	LV	PART NUMBER	Q'TY	DESCRIPTION	REMARKS	NOTE1	NOTE2
39	+	301200-21330	1	HOOK ASS'Y			
38	++	301015-05330	1	HOOK, BAND			
40	+	91119-05012	1	BOLT	CB-5*12		
41		224924-52130	2	CLIP	25MM		
42		C062-000181	1	HARNESS, SHOULDER		Sus. by C062-000182	
42		C062-000182	1	HARNESS, SHOULDER			
43		890152-04930	1	LABEL, CAUTION			

11. Loop Handle(Sr/Nr 36022324 and before)



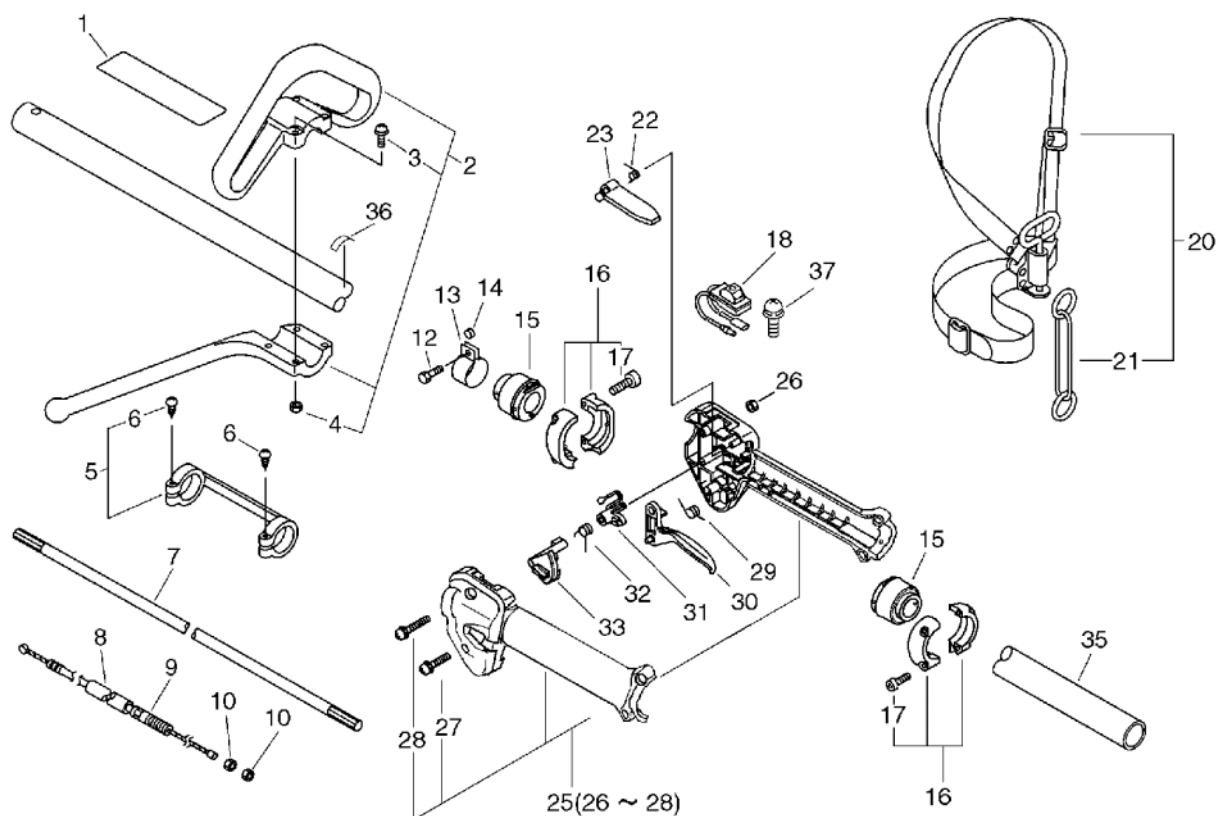
KEY	LV	PART NUMBER	Q'TY	DESCRIPTION	REMARKS	NOTE1	NOTE2
1		X505-000140	1	LABEL,CAUTION		Sus. by 890617-43130	
1		890617-43130	1	LABEL,CAUTION			
2		P021-005940	1	HANDLE ASY, LOOP			
3	+	900242-05035	4	SCREW 5*35	5*35		
4	+	900500-00005	4	NUT 5	5		
5		610281-54130	1	COLLER			
6	+	900253-04025	2	SCREW 4*25	4*25		
7		C504-000050	1	SHAFT,DRIVE	7*1540		
8		178127-54530	1	TUBE 7*10*130	7*10*130	Sus. by V475-004030	
9		V430-000920	1	CABLE,BOWDEN			
10		900502-00006	2	NUT 6 (3N)	3N6		
12		900100-05018	1	BOLT 5*18	5*18		
13		301207-08930	1	HOOK			
14		699012-03330	1	SPACER			
15		V420-000960	2	CUSHION			
16		P021-005950	2	FIXTURE,ASY HANDLE		Sus. by P021-012630	
17	+	900162-05025	4	BOLT, H.S. 5*25	5*25 W,SW	Sus. by 91118-05025	
18		163400-49230	1	SWITCH, IGNITION		Sus. by A440-000320	
20		301000-55230	1	HARNESS ASSY		Sus. by 301000-55231	
20		301000-55231	1	HARNESS ASY,SHOULDER			

11. Loop Handle(Sr/Nr 36022324 and before)



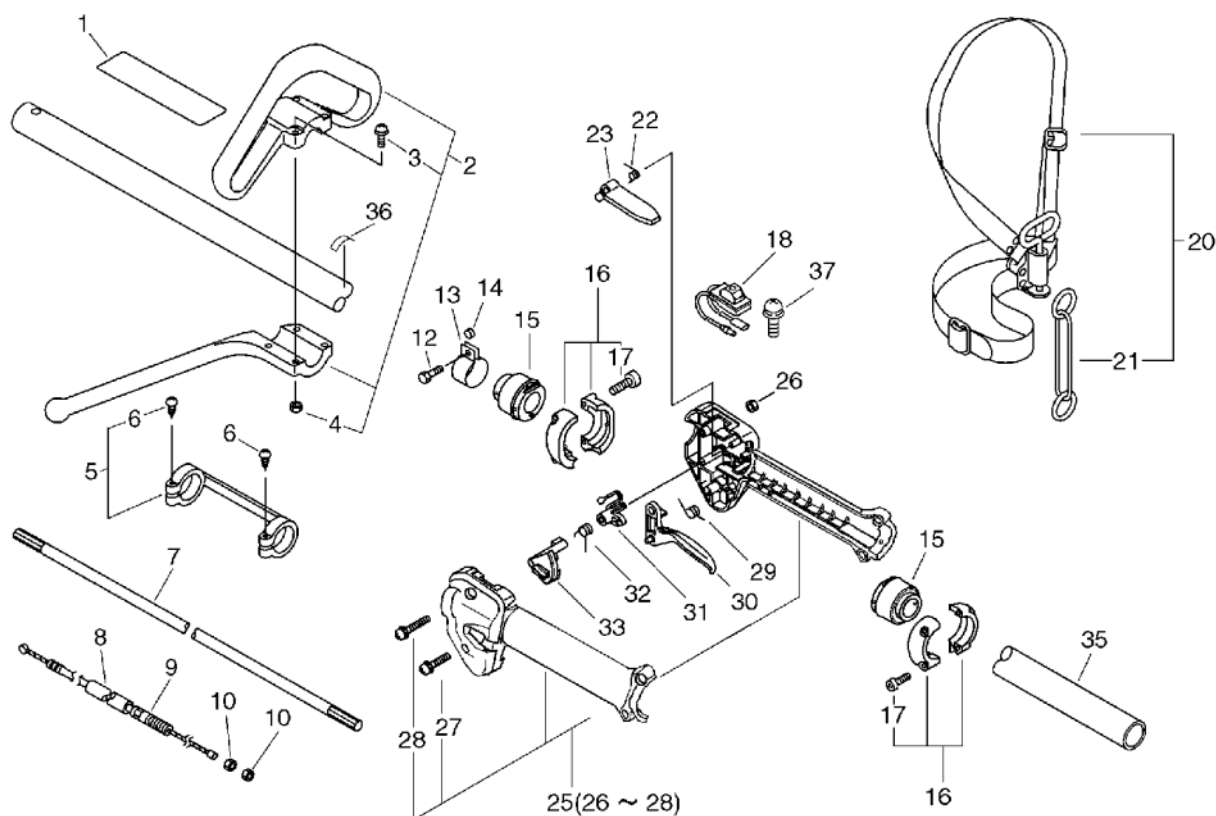
KEY	LV	PART NUMBER	Q'TY	DESCRIPTION	REMARKS	NOTE1	NOTE2
21	+	301305-24330	1	LINK			
22		178013-52630	1	SPRING, THR. LOCK			
23		178090-52631	1	LOCKOUT, T. CONTROL		Sus. by 178090-52632	
23		178090-52632	1	LOCKOUT, T. CONTROL			
25		P021-005960	1	BRACKET SET, THROTTLE			
26	+	900500-00005	4	NUT 5	5		
27	+	900242-05025	3	SCREW 5*25	5*25		
28	+	900242-05035	1	SCREW 5*35	5*35		
29		178043-42230	1	SPRING, THR. RETURN			
30		C450-000110	1	TRIGGER, THROTTLE			
31		C461-000000	1	LATCH, THROTTLE			
32		V452-000120	1	SPRING, TORSION			
33		C461-000010	1	LATCH, THROTTLE			
35		C050-000320	1	PIPE, MAIN			
36		890152-04930	1	LABEL, CAUTION			

12. Loop Handle(Sr/Nr 36022325 and after)



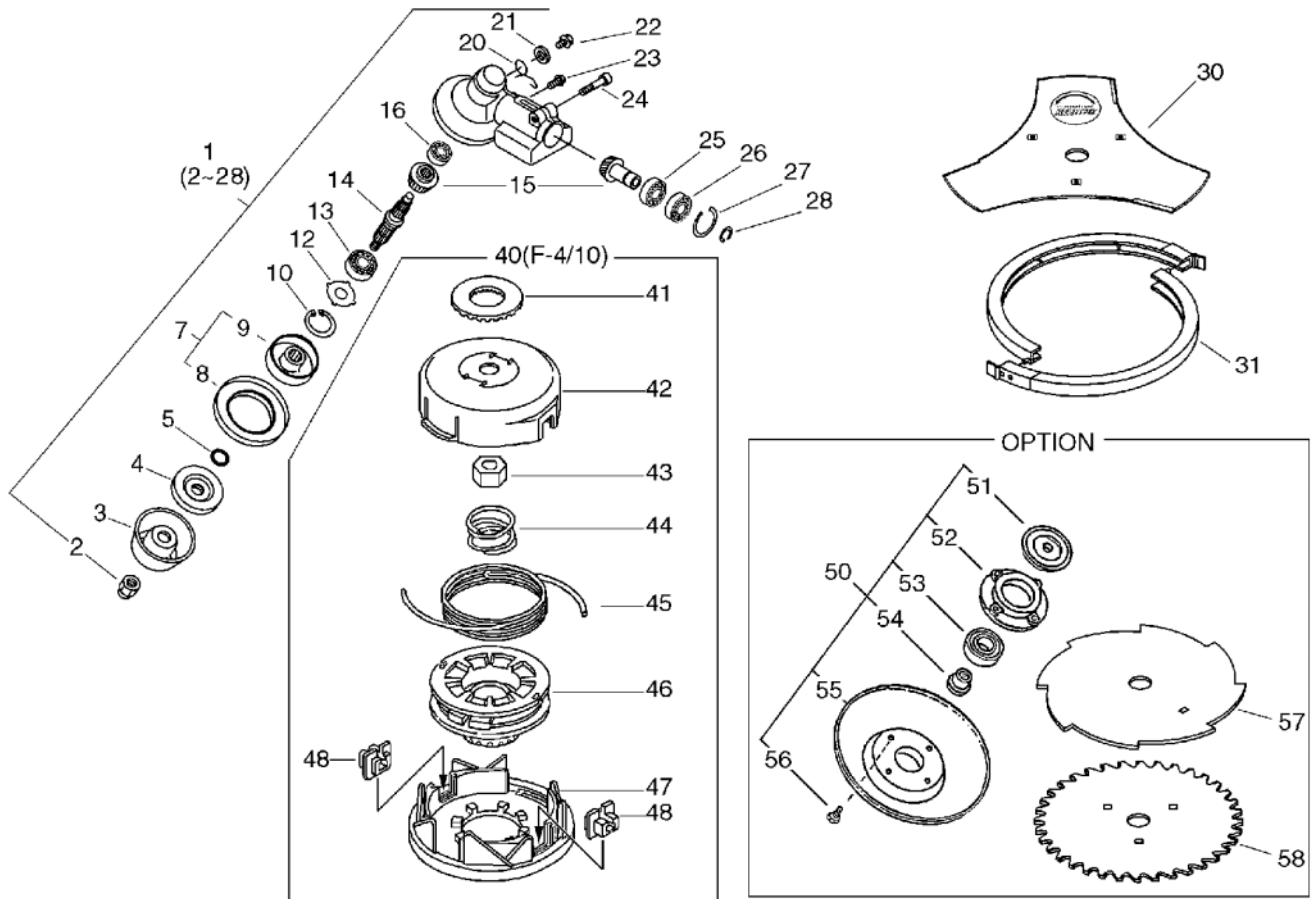
KEY	LV	PART NUMBER	Q'TY	DESCRIPTION	REMARKS	NOTE1	NOTE2
1		890617-43130	1	LABEL,CAUTION			
2		P021-005940	1	HANDLE ASY, LOOP			
3	+	900242-05035	4	SCREW 5*35	5*35		
4	+	900500-00005	4	NUT 5	5		
5		610281-54130	1	COLLER			
6	+	900253-04025	2	SCREW 4*25	4*25		
7		C504-000050	1	SHAFT,DRIVE	7*1540		
8		178127-54530	1	TUBE 7*10*130	7*10*130	Sus. by V475-004030	
8		V475-004030	1	TUBE	7*180		
9		V430-000920	1	CABLE,BOWDEN			
10		900502-00006	2	NUT 6 (3N)	3N6		
12		900100-05018	1	BOLT 5*18	5*18		
13		301207-08930	1	HOOK			
14		699012-03330	1	SPACER			
15		V420-000960	2	CUSHION			
16		P021-012630	2	BRACKET ASM., HANDLE		Sus. by P021-005950	
17	+	91118-05025	4	BOLT	CM-5*25		
18		163400-49230	1	SWITCH, IGNITION		Sus. by A440-000320	
18		A440-000320	1	SWITCH,ON OFF		Sus. by A440-001040	
18		A440-001040	1	SWITCH, ON OFF			
20		301000-55231	1	HARNESS ASY,SHOULDER			
21	+	301305-24330	1	LINK			

12. Loop Handle(Sr/Nr 36022325 and after)



KEY	LV	PART NUMBER	Q'TY	DESCRIPTION	REMARKS	NOTE1	NOTE2
22		178013-52630	1	SPRING, THR. LOCK			
23		178090-52632	1	LOCKOUT, T. CONTROL			
25		P021-005960	1	BRACKET SET, THROTTLE			
26	+	900500-00005	4	NUT 5	5		
27	+	900242-05025	3	SCREW 5*25	5*25		
28	+	900242-05035	1	SCREW 5*35	5*35		
29		178043-42230	1	SPRING, THR. RETURN			
30		C450-000110	1	TRIGGER, THROTTLE			
31		C461-000000	1	LATCH, THROTTLE			
32		V452-000120	1	SPRING, TORSION			
33		C461-000010	1	LATCH, THROTTLE			
35		C050-000320	1	PIPE, MAIN			
36		890152-04930	1	LABEL, CAUTION			
37		900238-05010	1	SCREW 5*10	5*10		

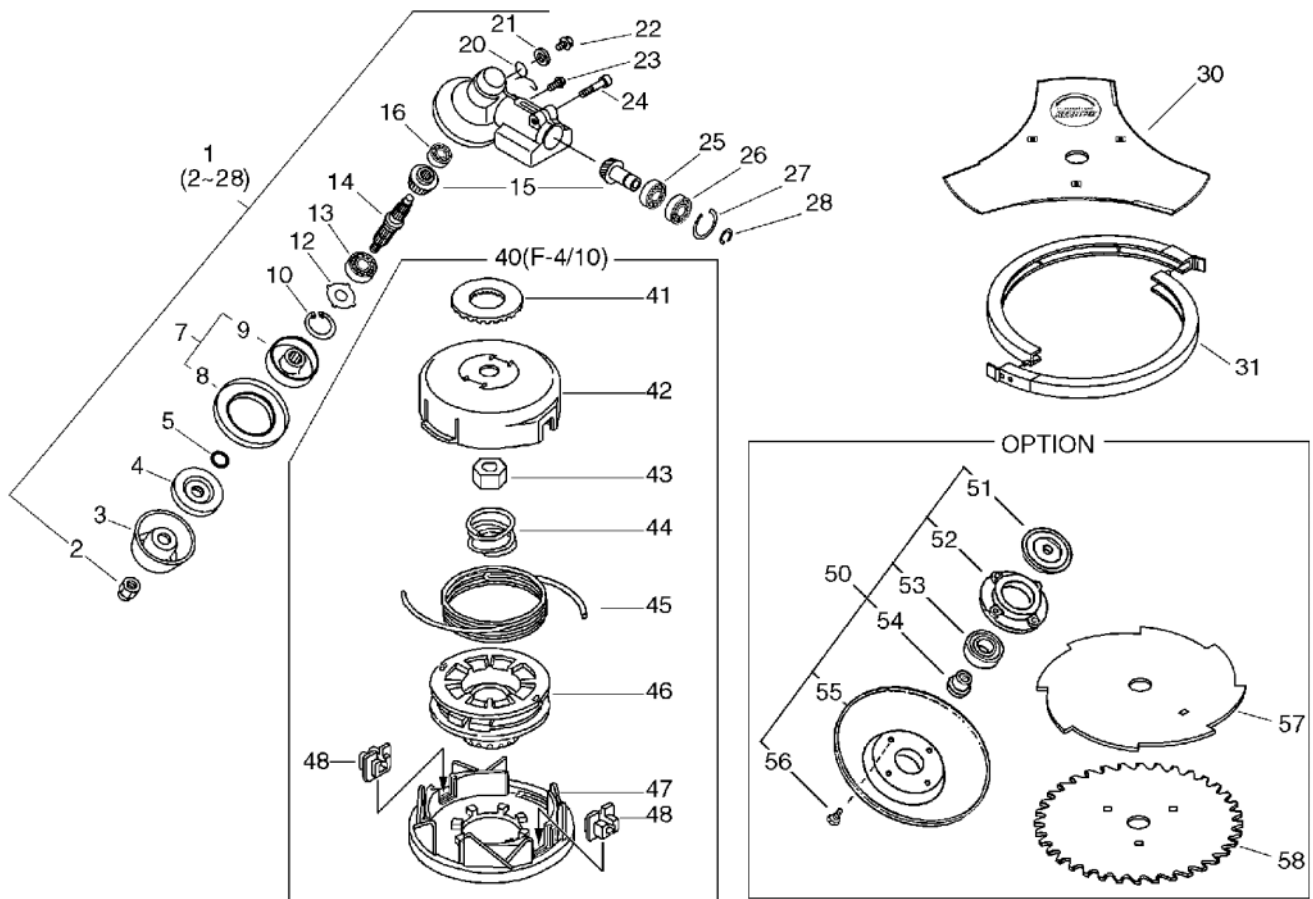
13. Gear Case, Blade, Nylon Line Cutting Head(Sr/Nr 36022324 and



KEY	LV	PART NUMBER	Q'TY	DESCRIPTION	REMARKS	NOTE1	NOTE2
1		610400-52132	1	CASE ASY, GEAR		Sus. by P021-012600	
2	+	610320-52130	1	NUT 10			
3	+	699229-56830	1	PLATE, COVER			
4	+	610314-52130	1	PLATE, ADAPTER (L)			
5	+	900720-00012	1	O-RING 12	P-12		
7	+	C535-000001	1	FIXTURE, BLADE			
8	++	610352-56830	1	PLATE, CUP			
9	++	C535-000011	1	FIXTURE, BLADE			
10	+	900702-00032	1	CIRCLIP 32	CR-32		
12	+	610444-56830	1	WASHER			
13	+	900812-06201	1	BEARING, BALL 6201	6201DDU(LLU)		
14	+	610310-56830	1	SHAFT, P.T.O.			
15	+	610300-25531	1	GEAR SET	7S		
16	+	900810-00626	1	BEARING, BALL 626	626		
20	+	610473-52131	1	SPRING			
21	+	900603-50008	1	WASHER	8.5*18*0.8T		
22	+	610434-50031	1	BOLT 8*8	M8*8		
23	+	900242-05010	1	SCREW 5*10	5*10		
24	+	900162-06025	1	BOLT, H.S. 6*25	6*25 W,SW	Sus. by 91118-06025	
25	+	900855-06900	1	BEARING, BALL 6900	6900		
26	+	900858-06900	1	BEARING, BALL 6900Z	6900Z		
27	+	900702-00022	1	CIRCLIP 22	CR-22		
28	+	900706-00010	1	CIRCLIP 10	WR-10		

d before)

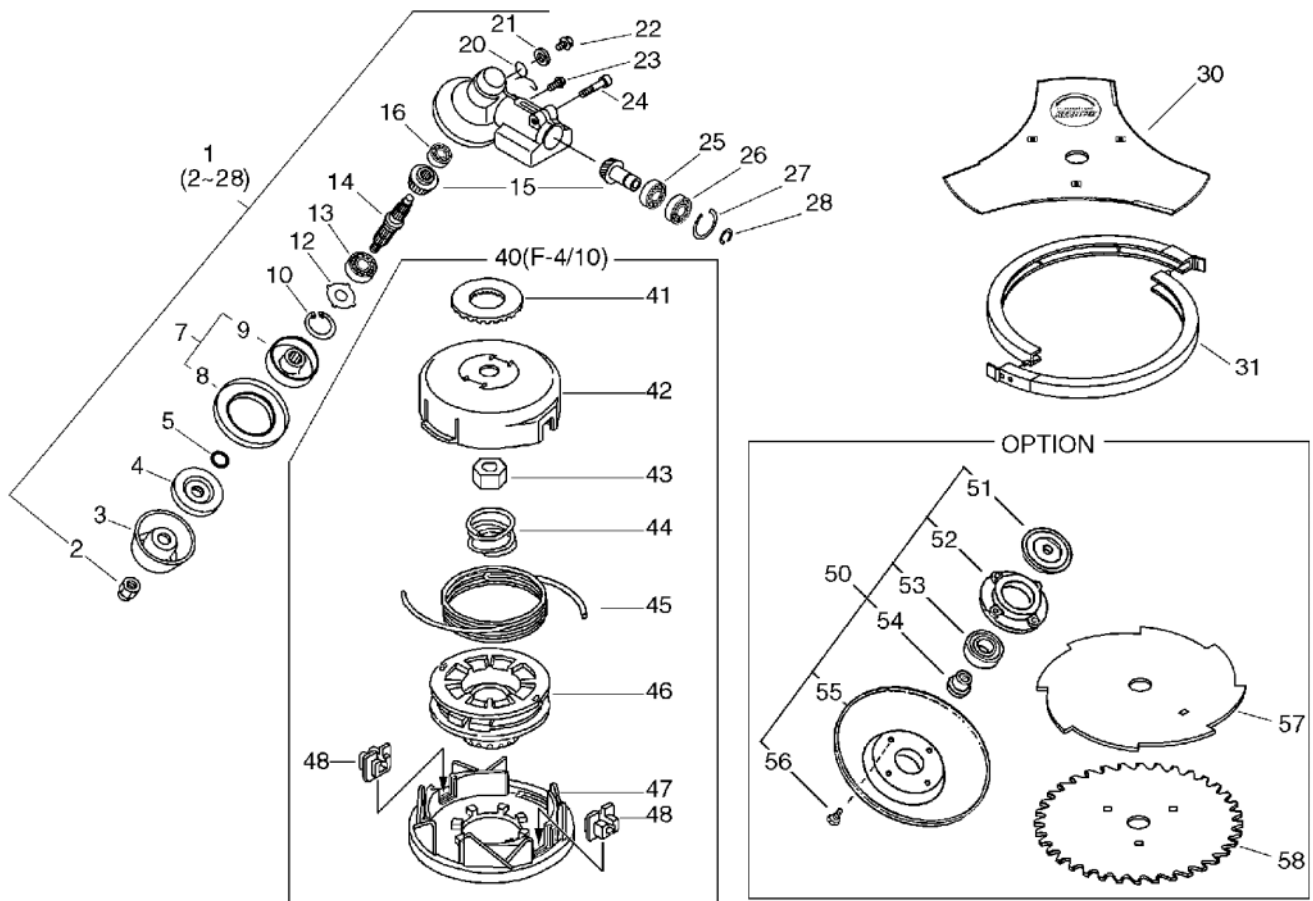
13. Gear Case, Blade, Nylon Line Cutting Head(Sr/Nr 36022324 and



KEY	LV	PART NUMBER	Q'TY	DESCRIPTION	REMARKS	NOTE1	NOTE2
30		X405-000011	1	SAW,BUSH CUTTER	3*230*25.4*T2.0		
31		898523-47130	1	SCABBARD,BLADE		Sus. by P021-007470	
31		P021-007470	1	SCABBARD,BLADE			
40		X047-000260	1	CUTTER,ASM LINE	F4/10 M10L		
41	+	V332-000000	1	WASHER,CIRCULAR 24			
42	+	P022-003310	1	HOUSING			
43	+	P022-001220	1	NUT			
44	+	P022-001250	1	SPRING	DS-3/10		
45	+	P022-006190	1	NYLON CODE	3.0*2M		
46	+	P022-001260	1	BOBBIN	DS-3/10		
47	+	P022-003330	1	COVER			
48	+	P022-000710	2	EYELET	T4		
50		699200-56830	1	CAP ASSY, FREE		OPTION	
51	+	610313-56830	1	PLATE, ADAPTER (U)		OPTION	
52	+	699226-05430	1	HOLDER, BEARING		OPTION	
53	+	900814-06202	1	BEARING, BALL 6202	620ZZ	OPTION	
54	+	699227-04630	1	NUT		OPTION	
55	+	699228-08930	1	PLATE, COVER		OPTION	
56	+	900141-05012	4	BOLT 5*12	5*12	OPTION	
57		696001-44731	1	BLADE, 8-CUTTER 9IN	230*8T*1.4 PD25	OPTION	
58		695001-44731	1	SAW, CIRCULAR 9*80T	230*80P*1.4 PD25	OPTION	

d before)

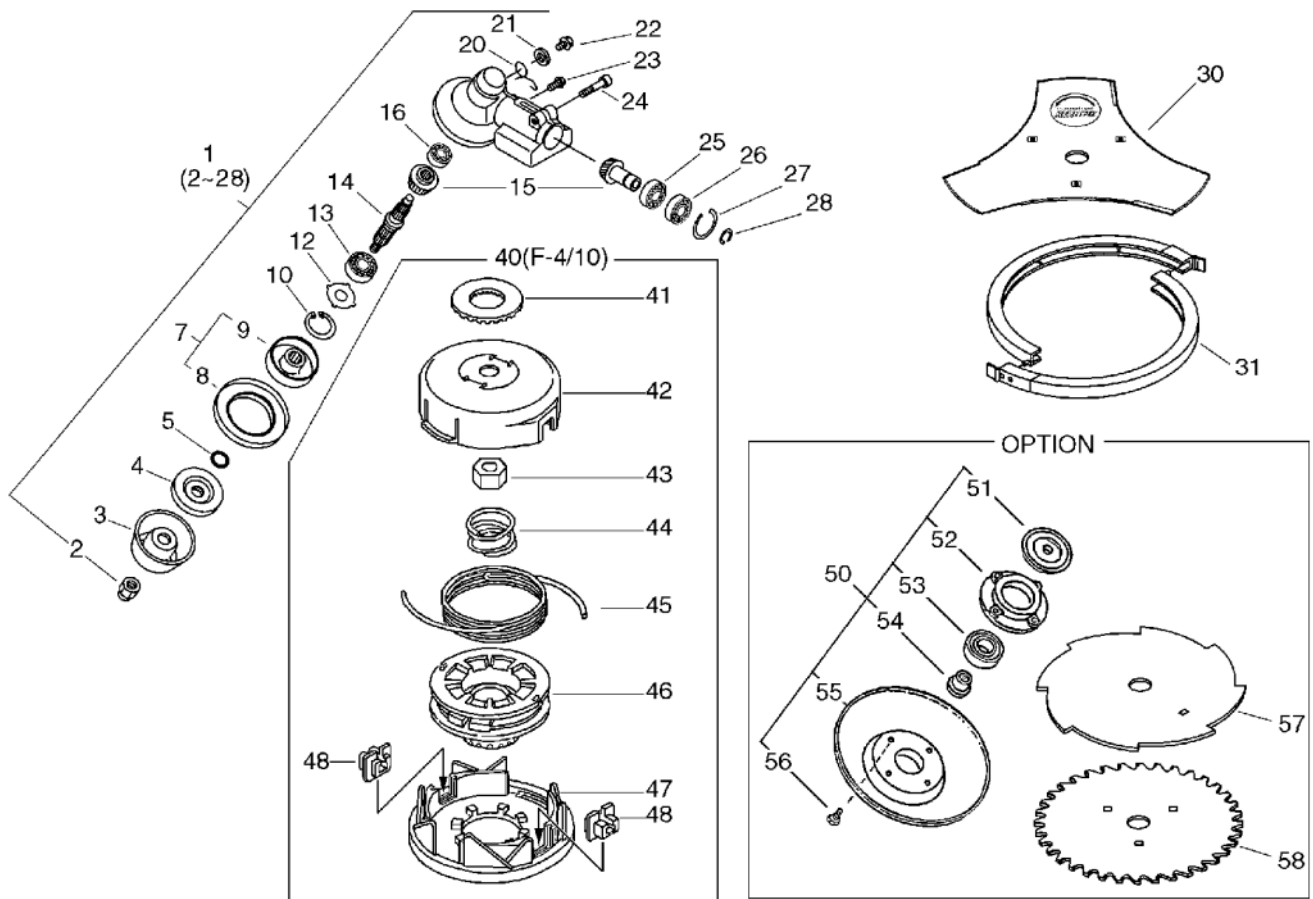
14. Gear Case, Blade, Nylon Line Cutting Head(Sr/Nr 36022325 and



KEY	LV	PART NUMBER	Q'TY	DESCRIPTION	REMARKS	NOTE1	NOTE2
1		P021-012600	1	CASE,GEAR			
2	+	610320-52130	1	NUT 10			
3	+	699229-56830	1	PLATE, COVER			
4	+	610314-52130	1	PLATE, ADAPTER (L)			
5	+	900720-00012	1	O-RING 12	P-12		
7	+	C535-000001	1	FIXTURE, BLADE			
8	++	610352-56830	1	PLATE, CUP			
9	++	C535-000011	1	FIXTURE, BLADE			
10	+	900702-00032	1	CIRCLIP 32	CR-32		
12	+	610444-56830	1	WASHER			
13	+	900812-06201	1	BEARING, BALL 6201	6201DDU(LLU)		
14	+	610310-56830	1	SHAFT, P.T.O.			
15	+	610300-25531	1	GEAR SET	7S		
16	+	900810-00626	1	BEARING, BALL 626	626		
20	+	610473-52131	1	SPRING			
21	+	900603-50008	1	WASHER	8.5*18*0.8T		
22	+	610434-50031	1	BOLT 8*8	M8*8		
23	+	900242-05010	1	SCREW 5*10	5*10		
24	+	91118-06025	1	BOLT			
25	+	900855-06900	1	BEARING, BALL 6900	6900		
26	+	900858-06900	1	BEARING, BALL 6900Z	6900Z		
27	+	900702-00022	1	CIRCLIP 22	CR-22		
28	+	900706-00010	1	CIRCLIP 10	WR-10		
30		X405-000011	1	SAW, BUSH CUTTER	3*230*25.4*T2.0		
31		P021-007470	1	SCABBARD, BLADE			

d after)

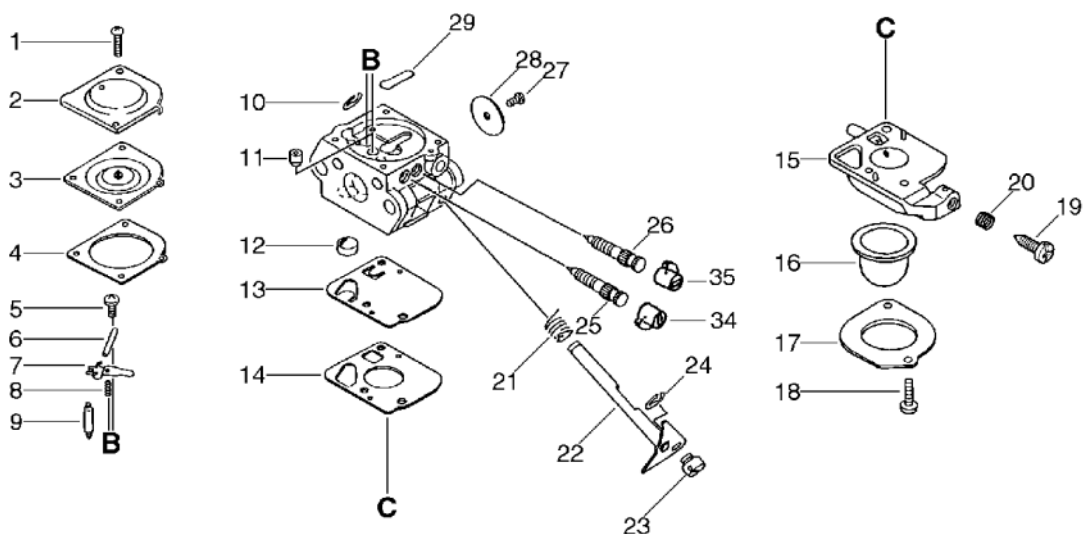
14. Gear Case, Blade, Nylon Line Cutting Head(Sr/Nr 36022325 and



KEY	LV	PART NUMBER	Q'TY	DESCRIPTION	REMARKS	NOTE1	NOTE2
40		X047-000260	1	CUTTER,ASM LINE	F4/10 M10L		
41	+	V332-000000	1	WASHER,CIRCULAR 24			
42	+	P022-003310	1	HOUSING			
43	+	P022-001220	1	NUT			
44	+	P022-001250	1	SPRING	DS-3/10		
45	+	P022-006190	1	NYLON CODE	3.0*2M		
46	+	P022-001260	1	BOBBIN	DS-3/10		
47	+	P022-003330	1	COVER			
48	+	P022-000710	2	EYELET	T4		
50		699200-56830	1	CAP ASSY, FREE			
51	+	610313-56830	1	PLATE, ADAPTER (U)			
52	+	699226-05430	1	HOLDER, BEARING			
53	+	900814-06202	1	BEARING, BALL 6202	620ZZ		
54	+	699227-04630	1	NUT			
55	+	699228-08930	1	PLATE, COVER			
56	+	900141-05012	4	BOLT 5*12	5*12		
57		696001-44731	1	BLADE, 8-CUTTER 9IN	230*8T*1.4 PD25		
58		695001-44731	1	SAW, CIRCULAR 9*80T	230*80P*1.4 PD25		

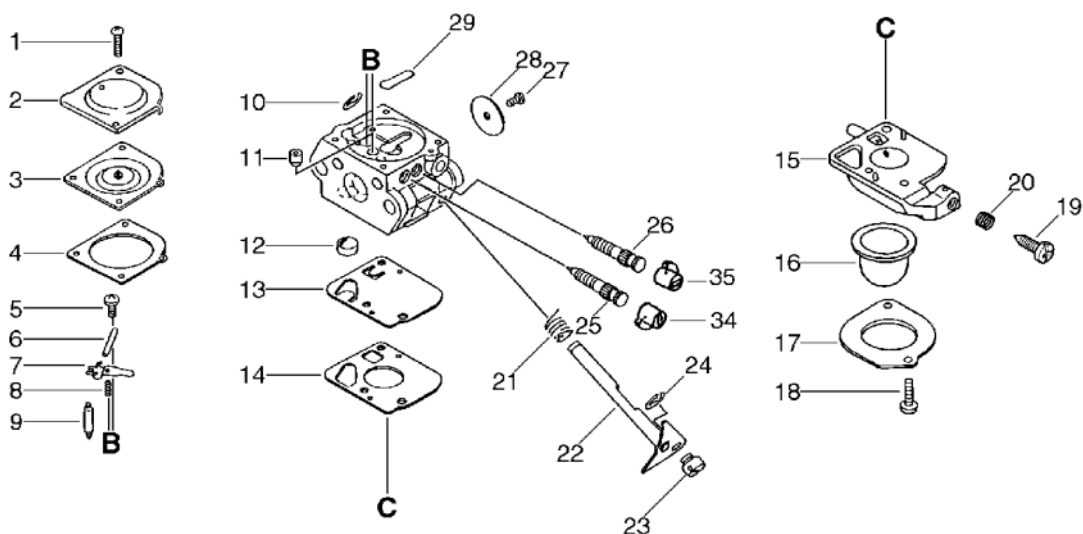
d after)

15. Carburetor



KEY	LV	PART NUMBER	Q'TY	DESCRIPTION	REMARKS	NOTE1	NOTE2
		125200-52432	1	CARBURETOR	C1U-K53A	Sus. by 125200-52433	
		125200-52433	1	CARBURETOR	C1U-K53B		
1	+	125344-52130	2	SCREW			
2	+	125342-13210	1	COVER, DIAPHRAGM		Sus. by 125342-52130	
2	+	125342-52130	1	COVER, DIAPHRAGM			
3	+	125341-49030	1	DIAPHRAGM			
4	+	125340-51030	1	GASKET, DIAPHRAGM			
5	+	125339-42030	1	SCREW			
6	+	125338-13930	1	PIN, METERING ARM			
7	+	125323-42030	1	LEVER, METERING			
8	+	125322-42030	1	SPRING, COIL		Sus. by 125322-11520	
8	+	125322-11520	1	SPRING, COIL			
9	+	125337-06960	1	VALVE, INLET NEEDLE			
10	+	125327-15130	1	CLIP			
11	+	P005-001050	1	NOZZLE, CHECK VALVE			
12	+	125326-42030	1	STRAINER			
13	+	125312-12820	1	DIAPHRAGM, FUEL PUMP			
14	+	125325-13310	1	GASKET, PUMP			
15	+	P005-000590	1	BASE, ASY PRIMER			
16	+	125381-08660	1	PUMP, PRIMING			
17	+	125363-11610	1	RING			
18	+	125310-11610	2	SCREW			
19	+	125334-06960	1	SCREW, THROTTLE ADJUST			

15. Carburetor



KEY	LV	PART NUMBER	Q'TY	DESCRIPTION	REMARKS	NOTE1	NOTE2
20	+	125333-06960	1	SPRING, IDLE ADJUSTER			
21	+	125313-42030	1	SPRING, THRT. RETURN			
22	+	P005-000390	1	SHAFT, THROTTLE			
23	+	125372-42030	1	SWIVEL			
24	+	125327-13930	1	CLIP			
25	+	125320-52430	1	NEEDLE, HIGH SPEED		Sr/Nr 35003612 and before	
25	+	P005-001710	1	SCREW, MAINN MIXTURE		Sr/Nr 36000001 and after	
26	+	125318-52430	1	NEEDLE, IDLE		Sr/Nr 35003612 and before	
26	+	P005-001720	1	SCREW, IDLE MIXTURE		Sr/Nr 36000001 and after	
27	+	125314-13930	1	SCREW	3*4		
28	+	125316-49030	1	VALVE, THROTTLE			
29	+	125345-15130	1	PLUG, WELCH			
34		A259-000030	1	CAP, LIMITER		Sr/Nr 36000001 and after	
35		125329-09860	1	LIMITER, MIXTURE		Sr/Nr 36000001 and after	

16. Repair Kit

KEY	LV	PART NUMBER	Q'TY	DESCRIPTION	REMARKS	NOTE1	NOTE2
		125303-13310	1	DIAPHRAGM/GASKET KIT			
-03	+	125341-49030	1	DIAPHRAGM			
-04	+	125340-51030	1	GASKET, DIAPHRAGM			
-13	+	125312-12820	1	DIAPHRAGM, FUEL PUMP			
-14	+	125325-13310	1	GASKET, PUMP			
		125300-13310	1	REBUILD KIT		Sus. by P005-001810	
		P005-001810	1	REBUILD KIT			
-03	+	125341-49030	1	DIAPHRAGM			
-04	+	125340-51030	1	GASKET, DIAPHRAGM			
-06	+	125338-13930	1	PIN, METERING ARM			
-07	+	125323-42030	1	LEVER, METERING			
-08	+	125322-42030	1	SPRING, COIL		Sus. by 125322-11520	
-08	+	125322-11520	1	SPRING, COIL			
-09	+	125337-06960	1	VALVE, INLET NEEDLE			
-12	+	125326-42030	1	STRAINER			
-13	+	125312-12820	1	DIAPHRAGM, FUEL PUMP			
-14	+	125325-13310	1	GASKET, PUMP			
-29	+	125345-15130	1	PLUG, WELCH			

Index

Patrs Number	Key No.	Patrs Number	Key No.	Patrs Number	Key No.
100000-09563	1 - 4	125340-51030	16 - -04	159012-03433	2 - 22
100011-09560	1 - 5	125340-51030	16 - -04	159012-03433	3 - 22
100013-11520	1 - 6	125341-49030	15 - 3	159112-09960	9 - 13
100014-11520	1 - 8	125341-49030	16 - -03	159112-09961	10 - 13
100015-04630	1 - 7	125341-49030	16 - -03	159112-09961	9 - 13
100204-52131	1 - 11	125342-13210	15 - 2	162010-52830	2 - 18
100212-42031	1 - 12	125342-52130	15 - 2	163400-49230	11 - 18
100215-03930	1 - 13	125344-52130	15 - 1	163400-49230	12 - 18
100242-42030	1 - 15	125345-15130	15 - 29	163401-49230	9 - 9
101010-44332	1 - 3	125345-15130	16 - -29	175000-52733	2 - 13
101011-08961	1 - 1	125363-11610	15 - 17	175000-52733	3 - 13
101514-42031	1 - 19	125372-42030	15 - 23	175000-52734	3 - 13
125200-52432	15 -	125381-08660	15 - 16	175018-52131	2 - 14
125200-52432	5 - 6	130010-42032	5 - 1	175018-52131	3 - 14
125200-52433	15 -	130016-42031	5 - 5	177228-27030	4 - 21
125200-52433	5 - 6	130017-42031	5 - 4	177246-11120	4 - 20
125300-13310	16 -	130111-00530	6 - 8	178013-52630	11 - 22
125303-13310	16 -	130301-04560	5 - 8	178013-52630	12 - 22
125310-11610	15 - 18	130302-50630	5 - 15	178043-42230	11 - 29
125312-12820	15 - 13	130310-04560	5 - 14	178043-42230	12 - 29
125312-12820	16 - -13	130336-52130	5 - 18	178090-52631	11 - 23
125312-12820	16 - -13	130410-44730	5 - 12	178090-52632	11 - 23
125313-42030	15 - 21	130415-40630	5 - 17	178090-52632	12 - 23
125314-13930	15 - 27	131004-55530	6 - 4	178127-47530	9 - 14
125316-49030	15 - 28	131005-44332	6 - 1	178127-54530	11 - 8
125318-52430	15 - 26	131016-55830	6 - 5	178127-54530	12 - 8
125320-52430	15 - 25	131051-56030	6 - 6	178510-48830	5 - 7
125322-11520	15 - 8	131205-07320	6 - 12	178515-04560	5 - 10
125322-11520	16 - -08	131300-56430	6 - 7	178516-00830	5 - 11
125322-42030	15 - 8	131312-44330	6 - 9	178810-05230	5 - 9
125322-42030	16 - -08	132010-13930	6 - 14	224924-52130	10 - 41
125323-42030	15 - 7	132010-56330	6 - 13	224924-52130	9 - 41
125323-42030	16 - -07	132013-09820	6 - 11	301000-55230	11 - 20
125325-13310	15 - 14	132115-46730	6 - 10	301000-55231	11 - 20
125325-13310	16 - -14	145803-52131	5 - 21	301000-55231	12 - 20
125325-13310	16 - -14	145820-52130	5 - 23	301001-56831	9 - 42
125326-42030	15 - 12	145862-40630	5 - 24	301015-05330	10 - 38
125326-42030	16 - -12	145862-52130	5 - 24	301015-05330	9 - 38
125327-13930	15 - 24	145863-42030	5 - 28	301200-21330	10 - 39
125327-15130	15 - 10	145866-42031	5 - 26	301200-21330	9 - 37
125329-09860	15 - 35	145876-42030	5 - 27	301205-21330	9 - 39
125333-06960	15 - 20	150112-42030	2 - 21	301207-08930	11 - 13
125334-06960	15 - 19	150112-42030	3 - 21	301207-08930	12 - 13
125337-06960	15 - 9	156601-52130	2 - 20	301305-24330	11 - 21
125337-06960	16 - -09	156601-52130	3 - 20	301305-24330	12 - 21
125338-13930	15 - 6	159010-10230	2 - 24	305110-42030	6 - 3
125338-13930	16 - -06	159010-10230	3 - 24	605014-54230	10 - 21
125339-42030	15 - 5	159011-03432	2 - 23	605014-54230	9 - 21
125340-51030	15 - 4	159011-03432	3 - 23	610281-54130	11 - 5

Index

Patrs Number	Key No.	Patrs Number	Key No.	Patrs Number	Key No.
610281-54130	12 - 5	895610-00130	8 - 1	900253-04025	11 - 6
610300-25531	13 - 15	897518-01131	7 - 4	900253-04025	12 - 6
610300-25531	14 - 15	897518-01131	8 - 4	900253-05020	4 - 15
610310-56830	13 - 14	898510-39130	7 - 6	900500-00005	10 - 4
610310-56830	14 - 14	898510-39130	8 - 6	900500-00005	11 - 4
610313-56830	13 - 51	898523-47130	13 - 31	900500-00005	11 - 26
610313-56830	14 - 51	900100-05018	11 - 12	900500-00005	12 - 4
610314-52130	13 - 4	900100-05018	12 - 12	900500-00005	12 - 26
610314-52130	14 - 4	900105-05012	9 - 40	900500-00005	5 - 2
610320-52130	13 - 2	900105-05055	5 - 29	900500-00005	9 - 4
610320-52130	14 - 2	900141-05012	13 - 56	900502-00006	10 - 16
610352-56830	13 - 8	900141-05012	14 - 56	900502-00006	11 - 10
610352-56830	14 - 8	900162-04016	4 - 33	900502-00006	12 - 10
610400-52132	13 - 1	900162-04022	2 - 19	900502-00006	9 - 16
610434-50031	13 - 22	900162-04022	3 - 19	900565-00005	7 - 16
610434-50031	14 - 22	900162-05022	1 - 2	900565-00005	8 - 16
610444-56830	13 - 12	900162-05025	11 - 17	900565-50008	10 - 24
610444-56830	14 - 12	900162-05025	7 - 23	900565-50008	9 - 24
610473-52131	13 - 20	900162-05028	1 - 16	900600-00005	5 - 30
610473-52131	14 - 20	900162-05028	2 - 3	900603-50008	13 - 21
610922-55931	2 - 2	900162-05030	9 - 23	900603-50008	14 - 21
695001-44731	13 - 58	900162-06025	13 - 24	900701-00012	2 - 4
695001-44731	14 - 58	900220-05030	10 - 3	900701-00012	3 - 4
696001-44731	13 - 57	900220-05030	9 - 3	900702-00022	13 - 27
696001-44731	14 - 57	900238-04010	5 - 25	900702-00022	14 - 27
699012-03330	11 - 14	900238-04010	5 - 25	900702-00032	13 - 10
699012-03330	12 - 14	900238-04012	1 - 20	900702-00032	14 - 10
699013-56830	7 - 22	900238-04016	1 - 22	900702-00032	2 - 9
699013-56830	8 - 22	900238-04016	2 - 6	900702-00032	3 - 9
699200-56830	13 - 50	900238-04016	3 - 6	900702-00042	2 - 1
699200-56830	14 - 50	900238-04016	4 - 33	900702-00042	3 - 1
699226-05430	13 - 52	900238-05010	12 - 37	900706-00010	13 - 28
699226-05430	14 - 52	900238-05020	5 - 3	900706-00010	14 - 28
699227-04630	13 - 54	900242-05010	13 - 23	900720-00004	5 - 16
699227-04630	14 - 54	900242-05010	14 - 23	900720-00012	13 - 5
699228-08930	13 - 55	900242-05018	7 - 17	900720-00012	14 - 5
699228-08930	14 - 55	900242-05018	8 - 17	900810-00626	13 - 16
699229-56830	13 - 3	900242-05025	11 - 27	900810-00626	14 - 16
699229-56830	14 - 3	900242-05025	12 - 27	900812-06201	13 - 13
890121-47530	5 - 19	900242-05035	11 - 3	900812-06201	14 - 13
890152-04930	10 - 43	900242-05035	11 - 28	900814-06201	2 - 8
890152-04930	11 - 36	900242-05035	12 - 3	900814-06201	3 - 8
890152-04930	12 - 36	900242-05035	12 - 28	900814-06202	13 - 53
890152-04930	9 - 43	900242-05057	5 - 13	900814-06202	14 - 53
890617-43130	10 - 31	900243-05016	6 - 2	900855-06900	13 - 25
890617-43130	11 - 1	900252-05012	7 - 13	900855-06900	14 - 25
890617-43130	12 - 1	900252-05012	8 - 13	900858-06900	13 - 26
890617-43130	9 - 31	900253-04016	10 - 2	900858-06900	14 - 26
895610-00130	7 - 1	900253-04016	9 - 2	91118-05025	12 - 17

Index

Patrs Number	Key No.	Patrs Number	Key No.	Patrs Number	Key No.
91118-05025	8 - 23	C461-000010	11 - 33	P022-001220	14 - 43
91118-05028	3 - 3	C461-000010	12 - 33	P022-001250	13 - 44
91118-05030	10 - 23	C463-000000	10 - 10	P022-001250	14 - 44
91118-06025	14 - 24	C463-000000	9 - 10	P022-001260	13 - 46
91119-05012	10 - 40	C504-000050	10 - 34	P022-001260	14 - 46
94035-36201	1 - 14	C504-000050	11 - 7	P022-002100	4 - 43
A011-000101	1 - 9	C504-000050	12 - 7	P022-003310	13 - 42
A051-000350	4 - 19	C504-000050	9 - 34	P022-003310	14 - 42
A051-000351	4 - 19	C535-000001	13 - 7	P022-003330	13 - 47
A052-000130	4 - 40	C535-000001	14 - 7	P022-003330	14 - 47
A172-000400	2 - 7	C535-000011	13 - 9	P022-004600	4 - 25
A172-000400	3 - 7	C535-000011	14 - 9	P022-004610	4 - 22
A259-000030	15 - 34	C550-000080	7 - 11	P022-004620	4 - 23
A320-000250	5 - 31	C550-000080	8 - 11	P022-004630	4 - 31
A320-000251	5 - 31	C550-000090	7 - 21	P022-004640	4 - 30
A409-000000	2 - 15	C550-000090	8 - 21	P022-004660	4 - 27
A409-000000	3 - 15	C550-000100	7 - 15	P022-004670	4 - 28
A440-000320	12 - 18	C550-000100	8 - 15	P022-004680	4 - 24
A440-000580	10 - 9	C554-000000	7 - 12	P022-004690	4 - 26
A440-000580	9 - 9	C554-000000	8 - 12	P022-004700	4 - 29
A440-001040	12 - 18	P005-000390	15 - 22	P022-004740	4 - 41
A556-000260	2 - 10	P005-000590	15 - 15	P022-006190	13 - 45
A556-000260	3 - 10	P005-001050	15 - 11	P022-006190	14 - 45
A575-000110	2 - 2	P005-001710	15 - 25	P022-006510	4 - 42
A575-000110	3 - 2	P005-001720	15 - 26	V104-000160	5 - 22
C050-000320	10 - 32	P005-001810	16 -	V299-000110	10 - 20
C050-000320	11 - 35	P021-002611	9 - 1	V299-000110	9 - 20
C050-000320	12 - 35	P021-002612	10 - 1	V332-000000	13 - 41
C050-000320	9 - 32	P021-002612	9 - 1	V332-000000	14 - 41
C062-000180	9 - 42	P021-002620	7 - 10	V376-000361	4 - 35
C062-000181	10 - 42	P021-002620	8 - 10	V420-000960	11 - 15
C062-000181	9 - 42	P021-002751	9 - 19	V420-000960	12 - 15
C062-000182	10 - 42	P021-002861	7 - 5	V430-000410	10 - 15
C400-000210	9 - 33	P021-002861	8 - 5	V430-000410	9 - 15
C400-000211	10 - 33	P021-005940	11 - 2	V430-000920	11 - 9
C400-000211	9 - 33	P021-005940	12 - 2	V430-000920	12 - 9
C403-000030	9 - 30	P021-005950	11 - 16	V452-000060	10 - 8
C403-000031	10 - 30	P021-005960	11 - 25	V452-000060	9 - 8
C403-000031	9 - 30	P021-005960	12 - 25	V452-000120	11 - 32
C423-000041	10 - 22	P021-007470	13 - 31	V452-000120	12 - 32
C423-000041	9 - 22	P021-007470	14 - 31	V452-000130	10 - 6
C450-000022	10 - 7	P021-008360	5 - 21	V452-000130	9 - 6
C450-000022	9 - 7	P021-012600	14 - 1	V471-001190	6 - 14
C450-000110	11 - 30	P021-012630	12 - 16	V471-001200	6 - 9
C450-000110	12 - 30	P021-012820	10 - 19	V475-003400	10 - 14
C460-000011	10 - 5	P021-013000	10 - 37	V475-003400	9 - 14
C460-000011	9 - 5	P022-000710	13 - 48	V475-004030	12 - 8
C461-000000	11 - 31	P022-000710	14 - 48	V485-000580	2 - 18
C461-000000	12 - 31	P022-001220	13 - 43	V485-000580	3 - 18

Index

Patrs Number	Key No.	Patrs Number	Key No.	Patrs Number	Key No.
V553-000010	1 - 10				
X047-000260	13 - 40				
X047-000260	14 - 40				
X405-000011	13 - 30				
X405-000011	14 - 30				
X502-000032	4 - 18				
X502-000160	4 - 18				
X505-000140	11 - 1				
X505-000620	4 - 16				
X543-000180	1 - 21				
X543-000420	1 - 21				
X602-000020	7 - 3				
X602-000020	8 - 3				

YAMABIKO CORPORATION

7-2 SUEHIROCHO 1-CHOME, OHME, TOKYO 198-8760, JAPAN
PHONE: 81-428-32-6118. FAX: 81-428-32-6145.

