



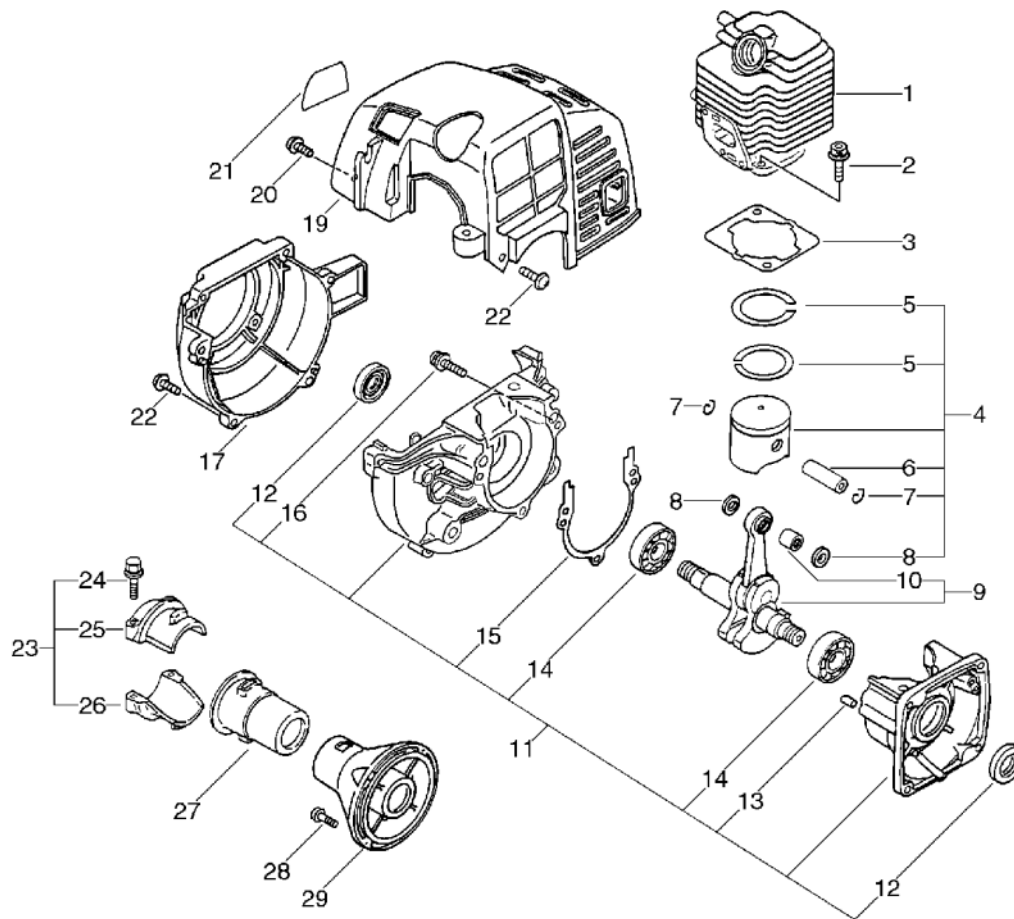
PARTS CATALOGUE

GRASS-TRIMMER / BRUSHCUTTER

SRM-2455S

1. Cylinder, Crankcase, Piston, Fan Cover

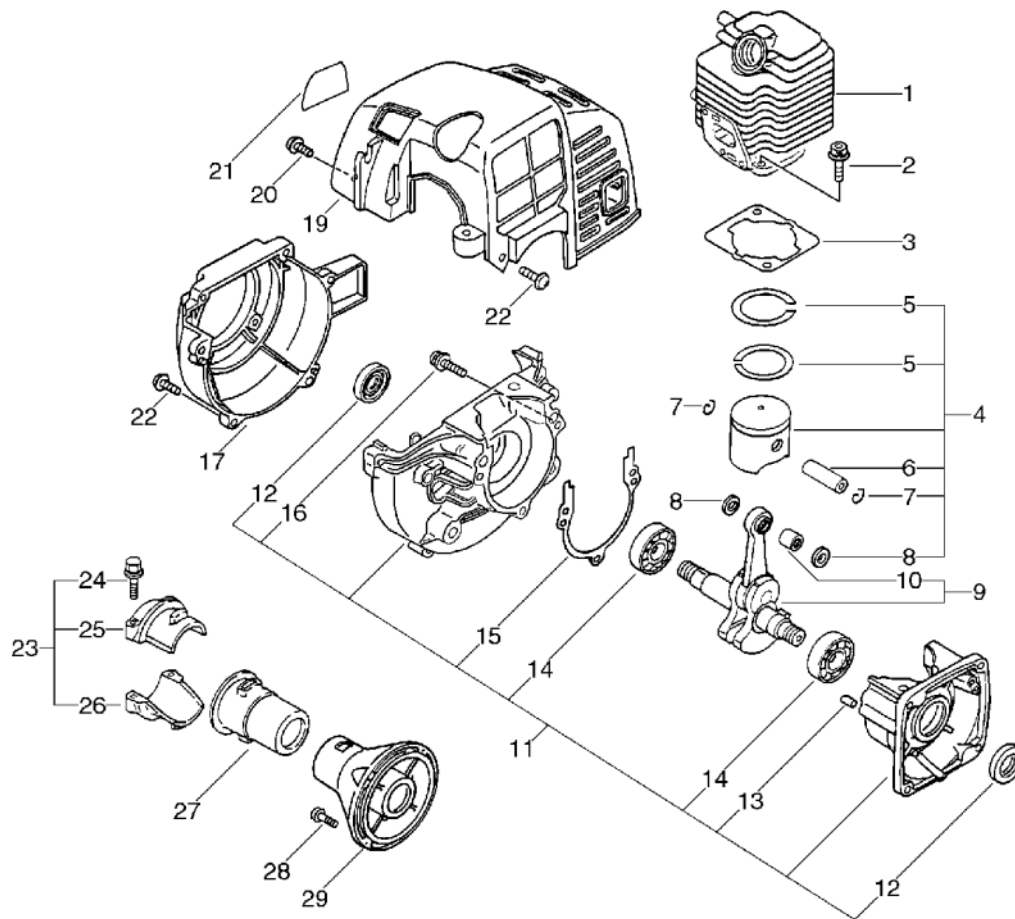
No.1



KEY	LV	PART NUMBER	Q'TY	DESCRIPTION	REMARKS	NOTE1	NOTE2
1		101011-08961	1	CYLINDER (CR)			
2		900162-05022	2	BOLT, H.S. 5*22	5*22 W,SW		
3		101010-44332	1	GASKET, CYL. BASE			
4		100000-09563	1	PISTON KIT			
5	+	100011-09560	2	RING, PISTON			
6	+	100013-11520	1	PIN, PISTON			
7	+	100015-04630	2	CIRCLIP, PISTON PIN			
8	+	100014-11520	2	SPACER, PISTON PIN			
9		A011-000100	1	CRANKSHAFT,ASM		Sus. by A011-000101	
9		A011-000101	1	CRANKSHAFT,ASM			
10	+	V553-000010	1	BEARING,NEEDLE 8	HK0810		
11		100204-52130	1	CRANKCASE KIT		Sus. by 100204-52132	
11		100204-52131	1	CRANKCASE KIT		Sus. by 100204-52132	
11		100204-52132	1	CRANKCASE KIT			
12	+	100212-42030	2	OILSEAL	ISCD12*22*4.5	Sus. by 100212-42031	
12	+	100212-42031	2	OILSEAL	ISCD 12*22*4.5		
13	+	100215-03930	2	PIN, DOWEL			
14	+	94035-36201	2	BEARING BALL	6201X3JR2C3		
15	+	100242-42030	1	GASKET, CRANKCASE			
16	+	900162-05028	3	BOLT, H.S. 5*28	5*28 W,SW		
17		101511-44730	1	COVER, FAN (BS)			

1. Cylinder, Crankcase, Piston, Fan Cover

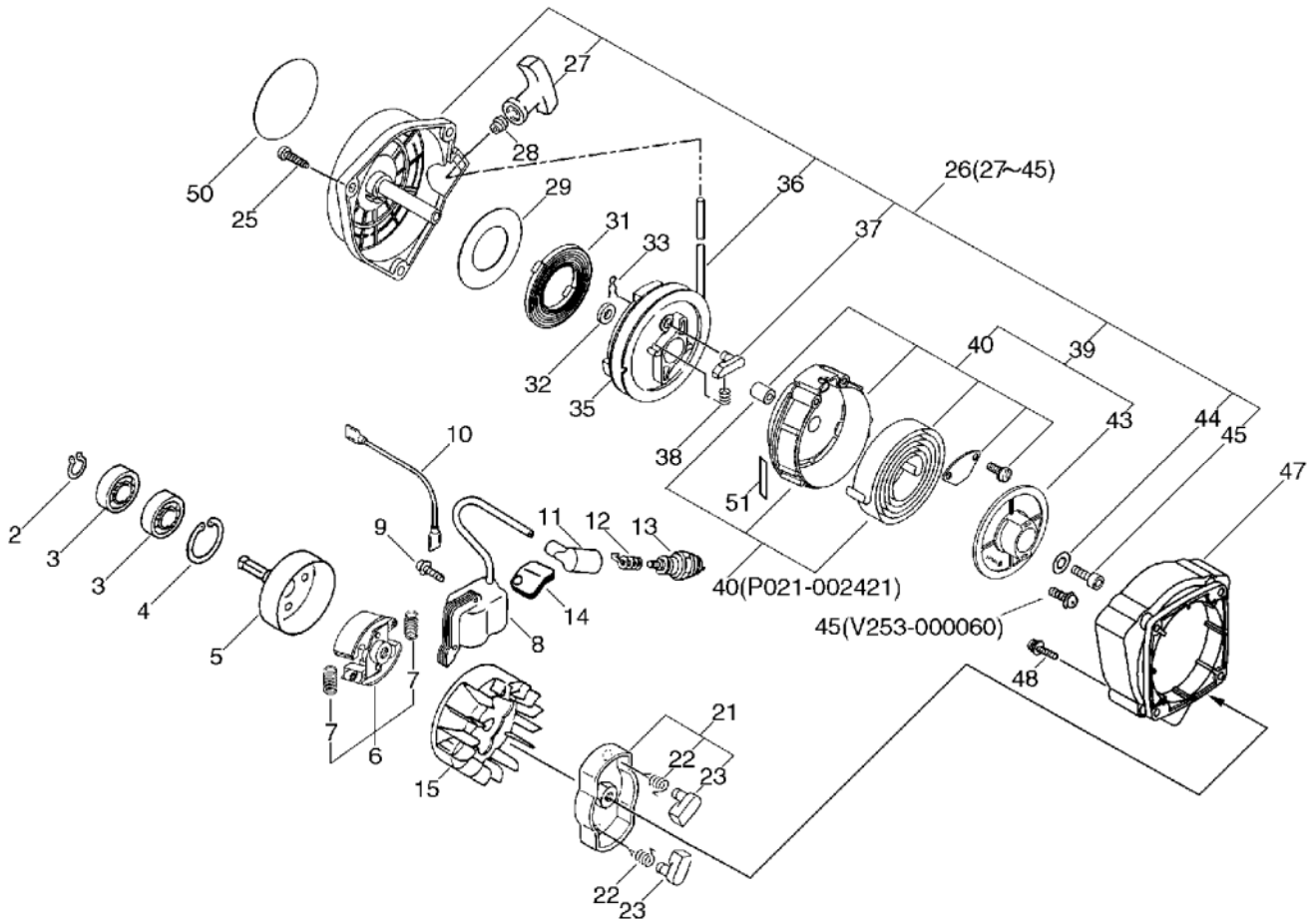
No.1



KEY	LV	PART NUMBER	Q'TY	DESCRIPTION	REMARKS	NOTE1	NOTE2
19		101514-42031	1	COVER, CYLINDER			
20		900238-04012	2	SCREW 4*12	4*12		
21		X543-000000	1	LABEL, MODEL	SRM-2455S		
22		900238-04016	6	SCREW 4*16	4*16		
23		610903-27432	1	HOLDER KIT			
24	+	900162-05025	2	BOLT, H.S. 5*25	5*25 W,SW		
25	+	610922-27432	1	HOLDER			
26	+	610923-27432	1	HOLDER			
27		610910-27832	1	CUSHION			
28		900238-05016	4	SCREW 5*16	5*16		
29		610223-44730	1	CASE, CLUTCH (BS)			

2. Starter, Magneto, Clutch

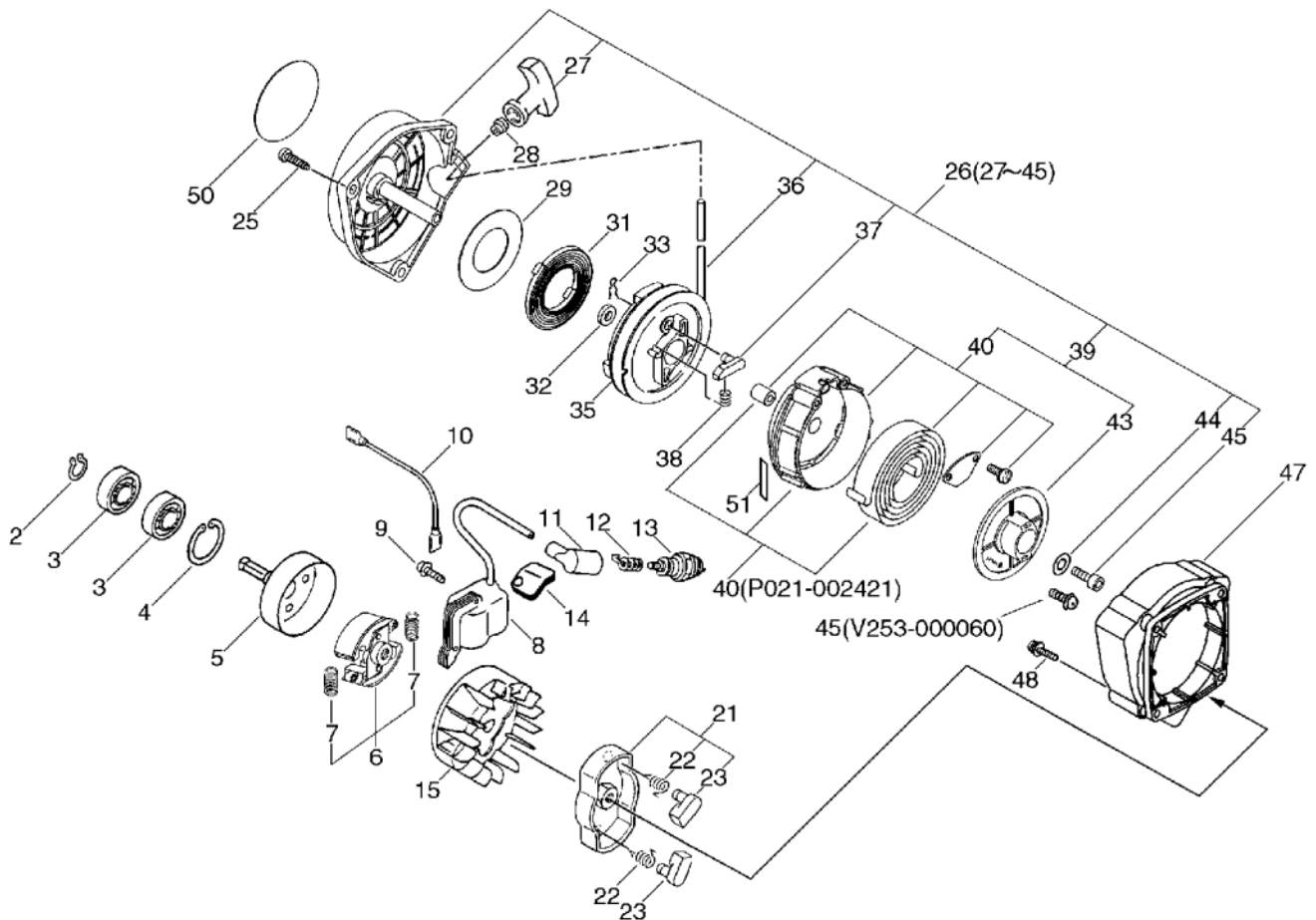
No.2



KEY	LV	PART NUMBER	Q'TY	DESCRIPTION	REMARKS	NOTE1	NOTE2
2		900701-00012	1	CIRCLIP 12	CS-12		
3		900807-06001	2	BEARING, BALL 6001	6001V(LB)		
4		900702-00028	1	CIRCLIP 28	CR-28		
5		175005-47630	1	DRUM, CLUTCH			
6		175000-52731	1	CLUTCH ASY		Sus. by 175000-52733	
6		175000-52732	1	CLUTCH ASY		Sus. by 175000-52733	
6		175000-52733	1	CLUTCH ASY			
7	+	175018-52131	2	SPRING, CLUTCH			
8		156601-52130	1	COIL, IGNITION			
9		900162-04022	2	BOLT, H.S. 4*22	4*22 W,SW		
10		162010-52830	1	LEAD, GROUND			
11		159012-03433	1	CAP, SPARK PLUG			
12		159011-03432	1	COIL, SPARK PLUG			
13		159017-10230	1	PLUG, SPARK (RCJ-7Y)	RCJ-7Y	Sus. by 159010-10230	
13		159010-10230	1	PLUG, SPARK (BPMR-7A)	BPMR-7A		
14		150112-42030	1	BUSHING			
15		156801-44731	1	FLYWHEEL			
21		177202-44330	1	PAWL ASSY, STARTER		Sus. by 177202-12220	
21		177202-12220	1	PAWL ASSY, STARTER			
22	+	177234-42030	1	SPRING, RETURN		Sus. by 177234-12220 Q'ty:2	

2. Starter, Magneto, Clutch

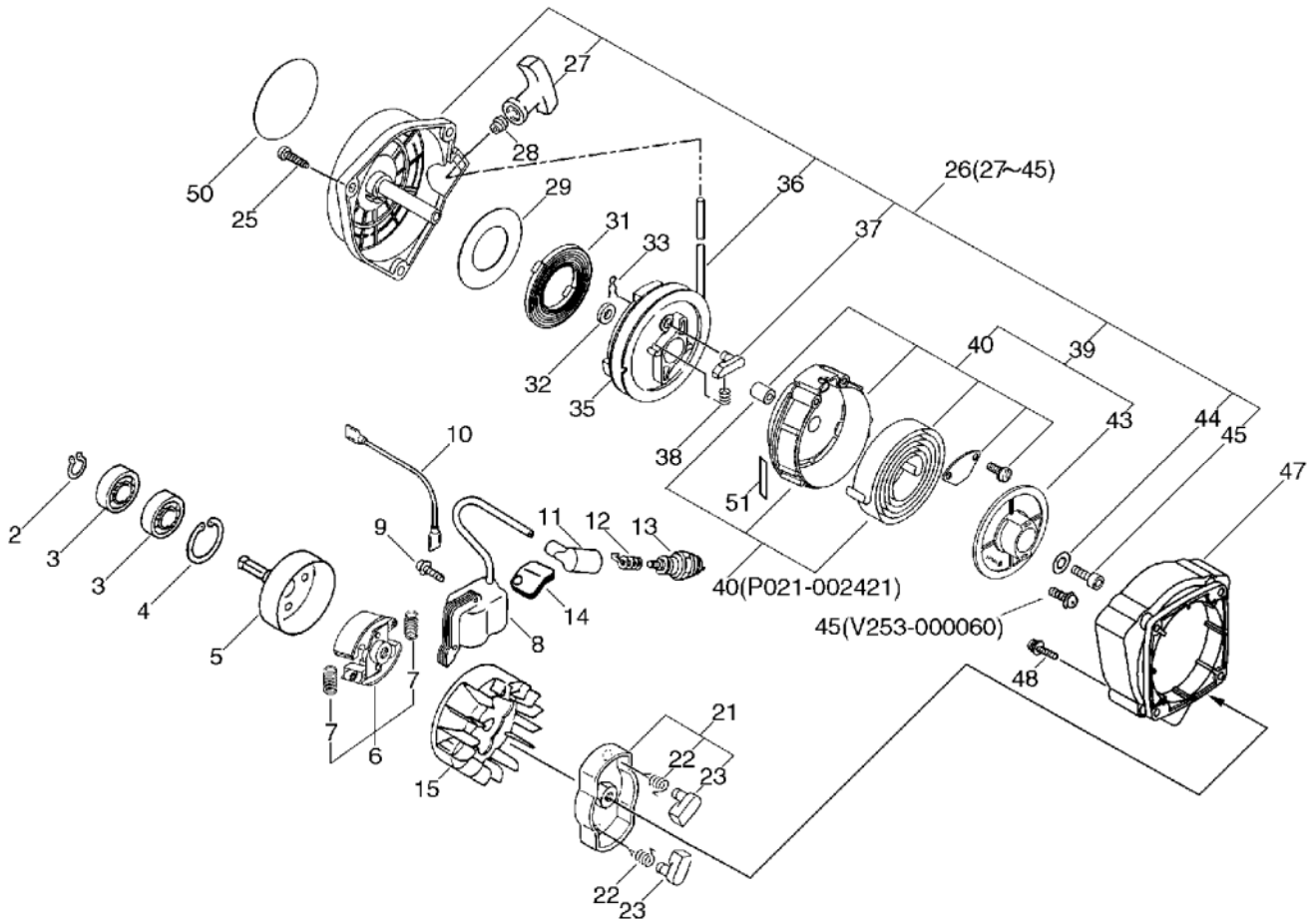
No.2



KEY	LV	PART NUMBER	Q'TY	DESCRIPTION	REMARKS	NOTE1	NOTE2
22	+	177234-12220	2	SPRING, PAWL			
23	+	177218-44330	1	PAWL, STARTER	BLACK	Sus. by 177218-44330 Qty:2	
23	+	177218-44330	2	PAWL, STARTER	BLACK		
25		900253-05020	3	SCREW 5*20	5*20		
26		A051-000120	1	STARTER,RECOIL		Sus. by A051-000371	
26		A051-000121	1	STARTER,RECOIL		Sus. by A051-000371	
26		A051-000122	1	STARTER,RECOIL		Sus. by A051-000371	
26		A051-000123	1	STARTER,RECOIL		Sus. by A051-000371	
26		A051-000124	1	STARTER,RECOIL		Sus. by A051-000371	
26		A051-000370	1	STARTER,RECOIL		Sus. by A051-000371	
26		A051-000371	1	STARTER,RECOIL			
27	+	177228-27030	1	GRIP, STARTER			
28	+	177227-42030	1	GUIDE, ROPE			
29	+	A503-000000	1	PLATE,STARTER		Sus. by A503-000010	
29	+	A503-000010	1	PLATE,STARTER			
31	+	A504-000000	1	SPRING,SPIRAL		Sus. by A504-000001	

2. Starter, Magneto, Clutch

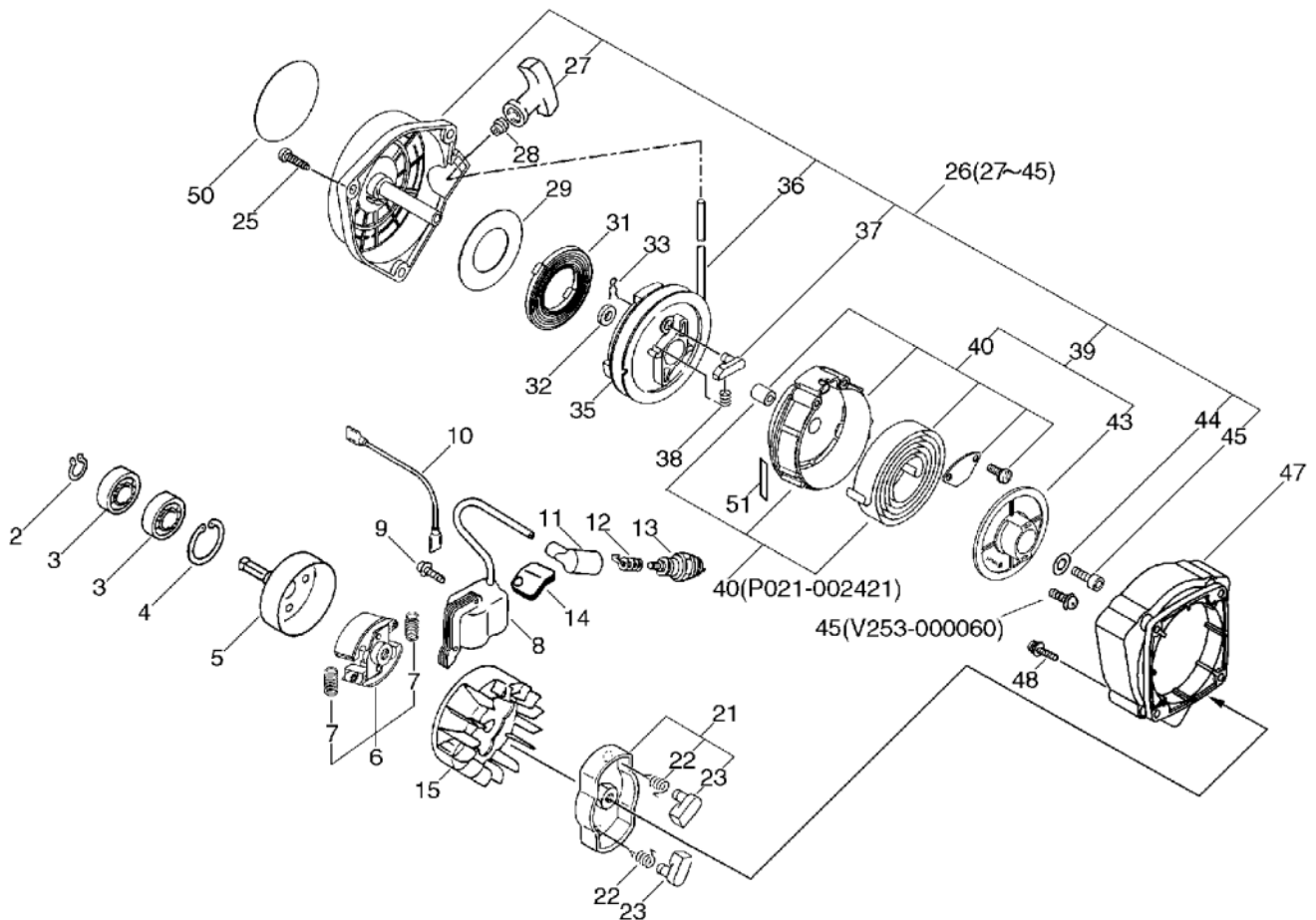
No.2



KEY	LV	PART NUMBER	Q'TY	DESCRIPTION	REMARKS	NOTE1	NOTE2
31	+	A504-000001	1	SPRING, SPIRAL			
32	+	V355-000080	1	COLLAR, 8	8.2*16*3		
33	+	V641-000040	2	PIN, SNAP			
35	+	A506-000010	1	REEL, ROPE			
36	+	177226-10120	1	ROPE, STARTER	3.0*1000		
37	+	A514-000010	2	PAWL			
38	+	V450-000130	2	SPRING, COMPRESSION			
40	+	P021-002420	1	POWER SPRING ASY		Sus. by A053-000031	
40	+	P021-002421	1	POWER SPRING ASY		Sus. by A053-000031	
39	+	A053-000030	1	SPRING, SET POWER		Sus. by A053-000031	
39	+	A053-000031	1	SPRING, ASM POWER			
40	++	P021-002422	1	POWER SPRING ASY			
43	++	A520-000002	1	PULLEY, STARTING		Can be used on the P021-002422 only	
43	+	A520-000000	1	PULLEY, STARTING		Sus. by A520-000001	
43	+	A520-000001	1	PULLEY, STARTING		Can be used on the P021-002421 only	
44	+	177214-02830	1	WASHER	5.2*16*1.0T	Nil	
45	+	900105-05012	1	BOLT, H.S. 5*12	5*12	Sus. by V253-000060	

2. Starter, Magneto, Clutch

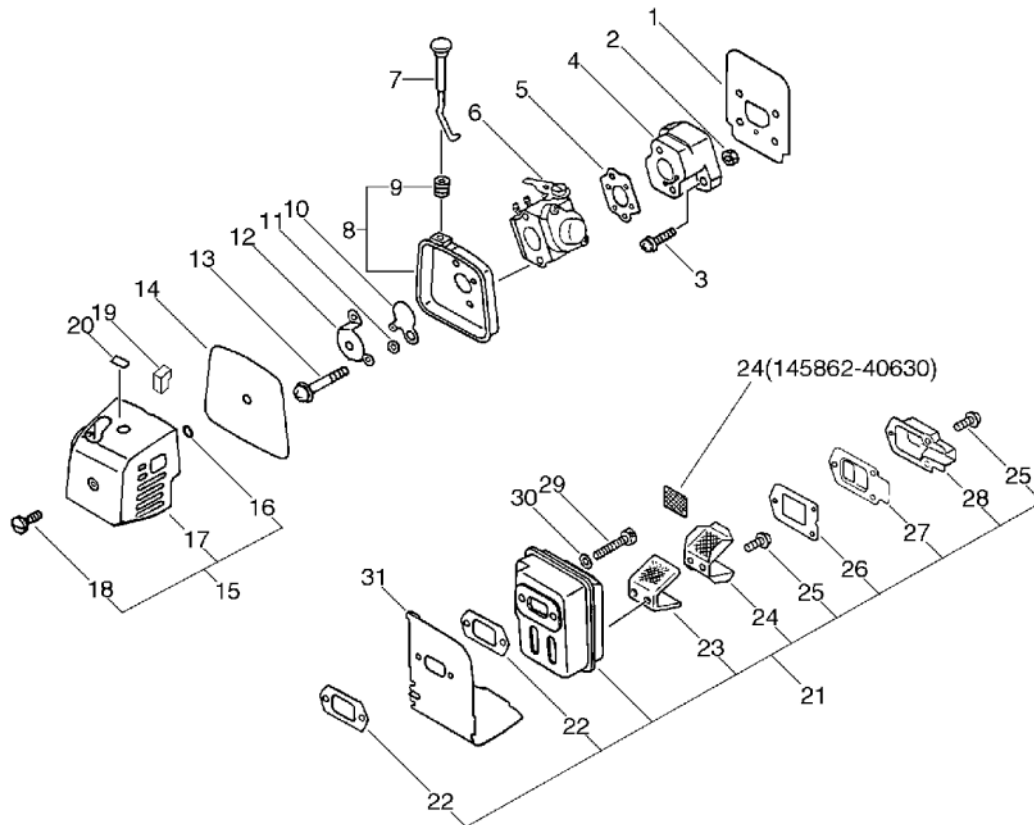
No.2



KEY	LV	PART NUMBER	Q'TY	DESCRIPTION	REMARKS	NOTE1	NOTE2
45	+	V253-000060	1	SCREW,5			
47		V376-000160	1	SPACER			
48		900162-04016	2	BOLT, H.S. 4*16	4*16 W,SW		
50		X502-000030	1	LABEL,ECHO		Sus. by X502-000032	
50		X502-000031	1	LABEL,ECHO		Sus. by X502-000032	
50		X502-000032	1	LABEL,ECHO		Sus. by X502-000032	
51		X505-000620	1	LABEL,CAUTION			

3. Air Cleaner, Muffler

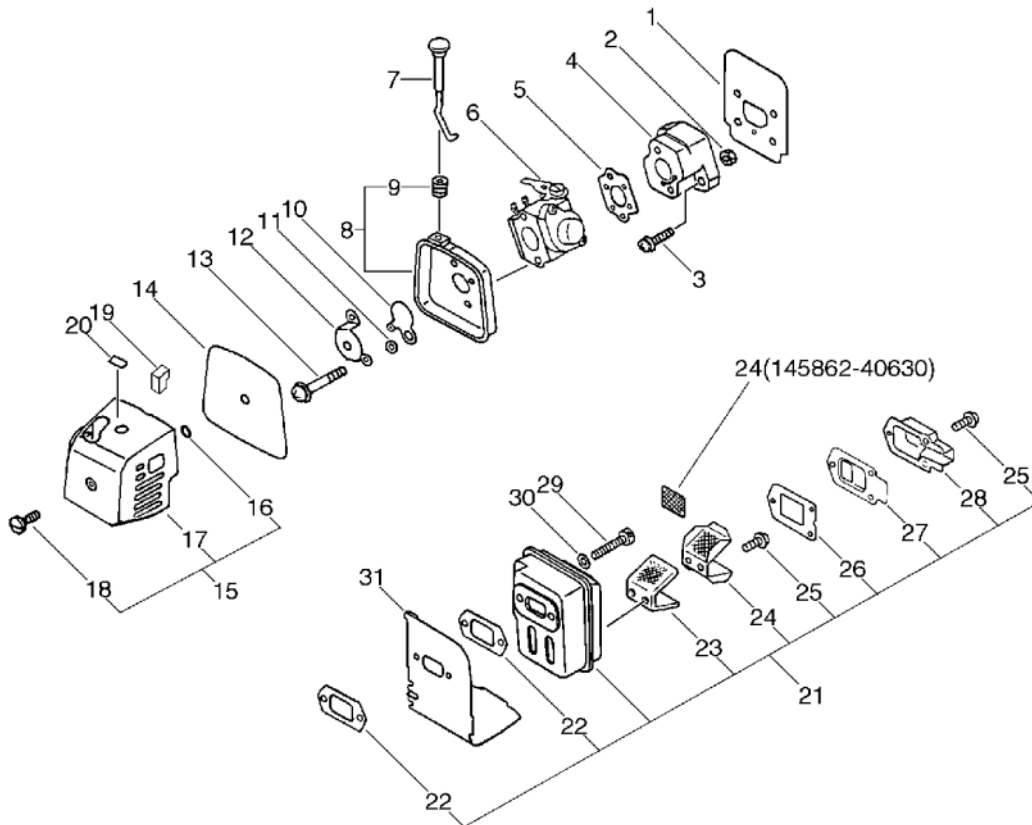
No.3



KEY	LV	PART NUMBER	Q'TY	DESCRIPTION	REMARKS	NOTE1	NOTE2
1		130010-42032	1	GASKET,INTAKE			
2		900500-00005	2	NUT 5	5		
3		900238-05020	2	SCREW 5*20	5*20		
4		130017-42031	1	INSULATOR, INTAKE			
5		130016-42031	1	GASKET, INTAKE			
6		125200-52431	1	CARBURETOR	C1U-K53	Sus. by 125200-52433	
6		125200-52432	1	CARBURETOR	C1U-K53A	Sus. by 125200-52433	
6		125200-52433	1	CARBURETOR	C1U-K53B		
7		178510-48830	1	ROD, CHOKE			
8		130301-04560	1	CASE, AIR CLEANER			
9	+	178810-05230	1	GROMMET			
10		178515-04560	1	SHUTTER, CHOKE			
11		178516-00830	1	SPACER	5.2*8*0.8T		
12		130410-44730	1	BRACKET, AIR CLEANER			
13		900242-05057	2	SCREW 5*57	5*57		
14		130310-04560	1	FILTER, AIR			
15		130302-50630	1	COVER ASSY, AIR CLN.			
16	+	900720-00004	1	O-RING (P-4)	P-4		
17	+	130313-50630	1	COVER, AIR CLEANER			
18	+	130415-40630	1	SCREW			
19		130336-52130	2	PLUG			
20		890121-47530	1	LABEL, CHOKE			
21		145803-52130	1	MUFFLER ASSY		Sus. by P021-008360	

3. Air Cleaner, Muffler

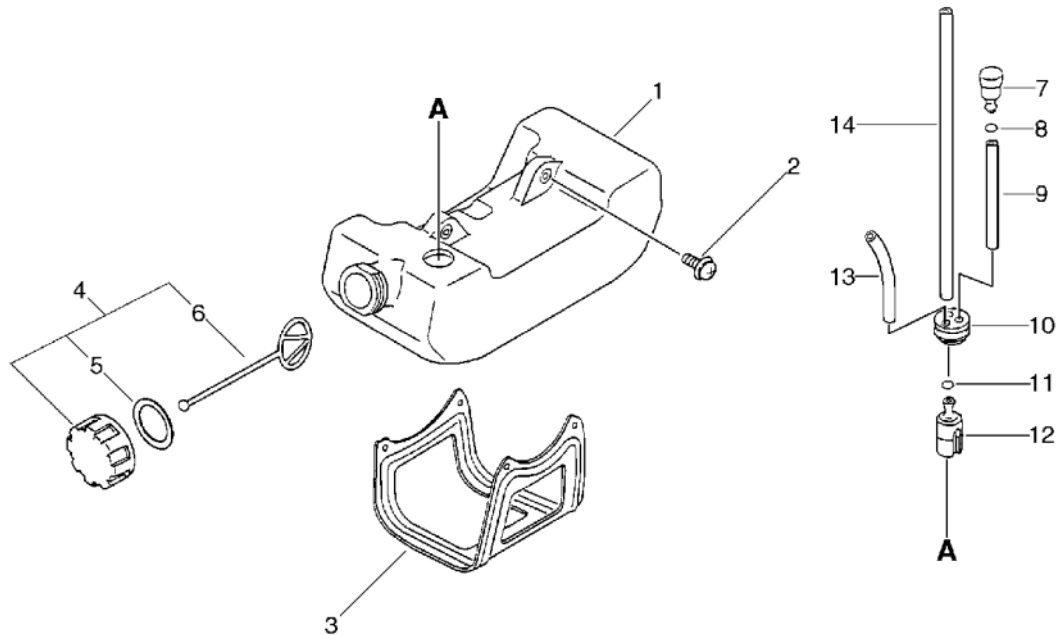
No.3



KEY	LV	PART NUMBER	Q'TY	DESCRIPTION	REMARKS	NOTE1	NOTE2
21		145803-52131	1	MUFFLER ASY		Sus. by P021-008360	
21		P021-008360	1	MUFFLER ASY			
22	+	V104-000160	2	GASKET,EXHAUST			
23	+	145820-52130	1	CATALYST		Can be used on 145803-52130,1	
24	+	145862-52130	1	SCREEN, MUFFLER		Sus. by 145862-40630	
24	+	145862-40630	1	SCREEN, MUFFLER			
25	+	900238-04010	5	SCREW 4*10	4*10	Can be used on 145803-52130,1	
25	+	900238-04010	3	SCREW 4*10	4*10	Can be used on P021-008360	
26	+	145866-42031	1	GASKET, MUFFLER LID			
27	+	145876-42030	1	LID, MUFFLER (B)			
28	+	145863-42030	1	HOLDER, SCREEN			
29		900105-05055	2	BOLT, H.S. 5*55	5*55		
30		900600-00005	2	WASHER 5	5		
31		145631-42030	1	COVER, MUFFLER		Sus. by A320-000251	
31		A320-000250	1	COVER,MUFFLER		Sus. by A320-000251	
31		A320-000251	1	COVER,MUFFLER			

4. Fuel Tank

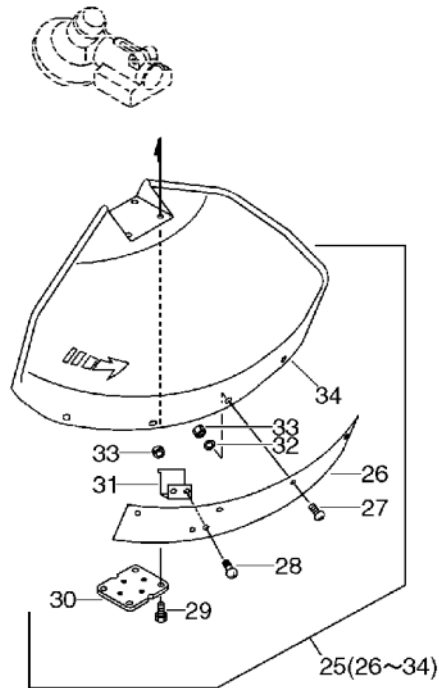
No.4



KEY	LV	PART NUMBER	Q'TY	DESCRIPTION	REMARKS	NOTE1	NOTE2
1		131005-44331	1	TANK, FUEL		Sus. by 131005-44332	
1		131005-44332	1	TANK, FUEL			
2		900243-05016	2	SCREW 5*16	5*16		
3		305110-42030	1	STAND (BL)			
4		131004-55530	1	CAP ASSY, FUEL TANK			
5	+	131016-55830	1	GASKET, FUEL CAP			
6	+	131051-56030	1	CLIP, FUEL CAP	100L		
7		131300-56430	1	VALVE, CHECK			
8		130111-00530	1	CLIP	5.5		
9		131312-44330	1	PIPE, 3*5*70L	3*5*70L NBR	Sus. by V471-001200	
9		V471-001200	1	PIPE	3*5*70 NBR		
10		132115-46730	1	GROMMET, FUEL			
11		132013-09820	1	CLIP	6MM		
12		131205-07320	1	STRAINER, FUEL			
13		132010-56330	1	PIPE 3*6*90	3*6*90 YL		
14		132010-13930	1	PIPE, FUEL	3*5*180L NBR	Sus. by V471-001190	
14		V471-001190	1	PIPE	3*5*180 NBR		

5. Shield(Sr/Nr 002200 and before)

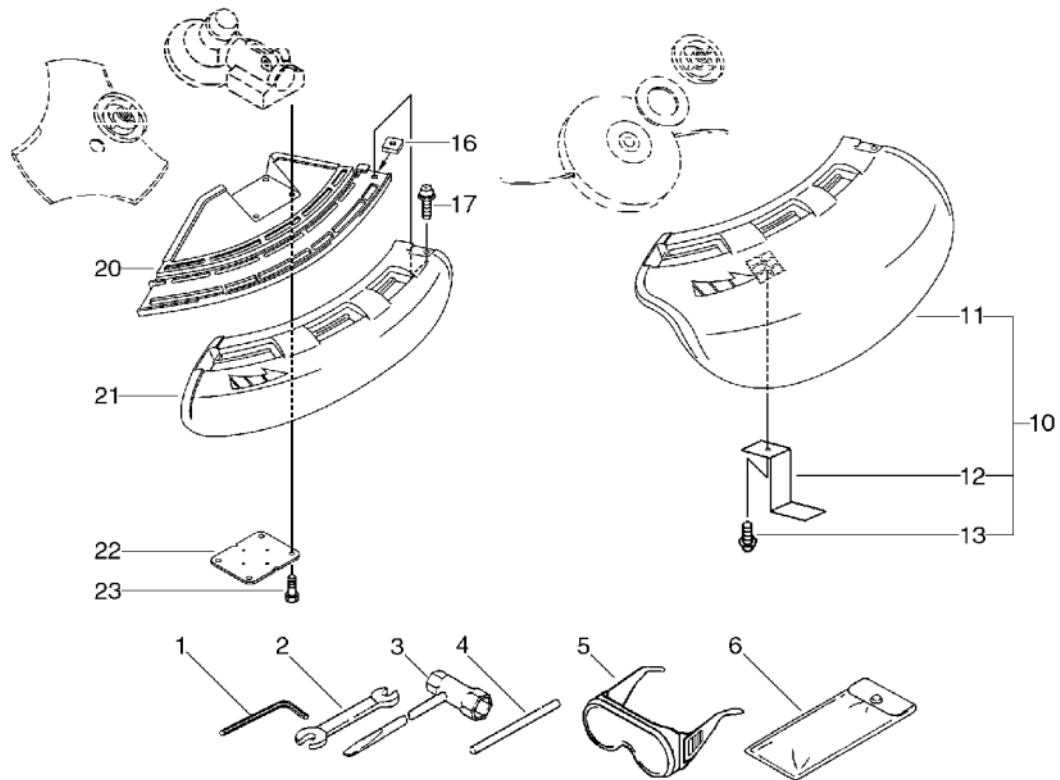
No.5



KEY	LV	PART NUMBER	Q'TY	DESCRIPTION	REMARKS	NOTE1	NOTE2
25		699000-52931	1	SHIELD ASY		Sr/Nr 002200 and before	
26	+	699013-52130	1	PLATE, SHIELD		Sr/Nr 002200 and before	
27	+	900162-05018	4	BOLT, H.S. 5*18	5*18 W,SW	Sr/Nr 002200 and before	
28	+	900162-05014	2	BOLT, H.S. 5*14	5*14 W,SW	Sr/Nr 002200 and before	
29	+	900162-05025	4	BOLT, H.S. 5*25	5*25 W,SW		
30	+	699013-56830	1	PLATE, SHIELD			
31	+	699016-54530	1	KNIFE		Sr/Nr 002200 and before	
32	+	900603-00005	4	WASHER 5	5.5*12*0.8	Sr/Nr 002200 and before	
33	+	900500-00005	6	NUT 5	5	Sr/Nr 002200 and before	
34	+	699010-52931	1	SHIELD, BLADE		Sr/Nr 002200 and before	

6. Shield(Sr/Nr 002201 and after), Tools

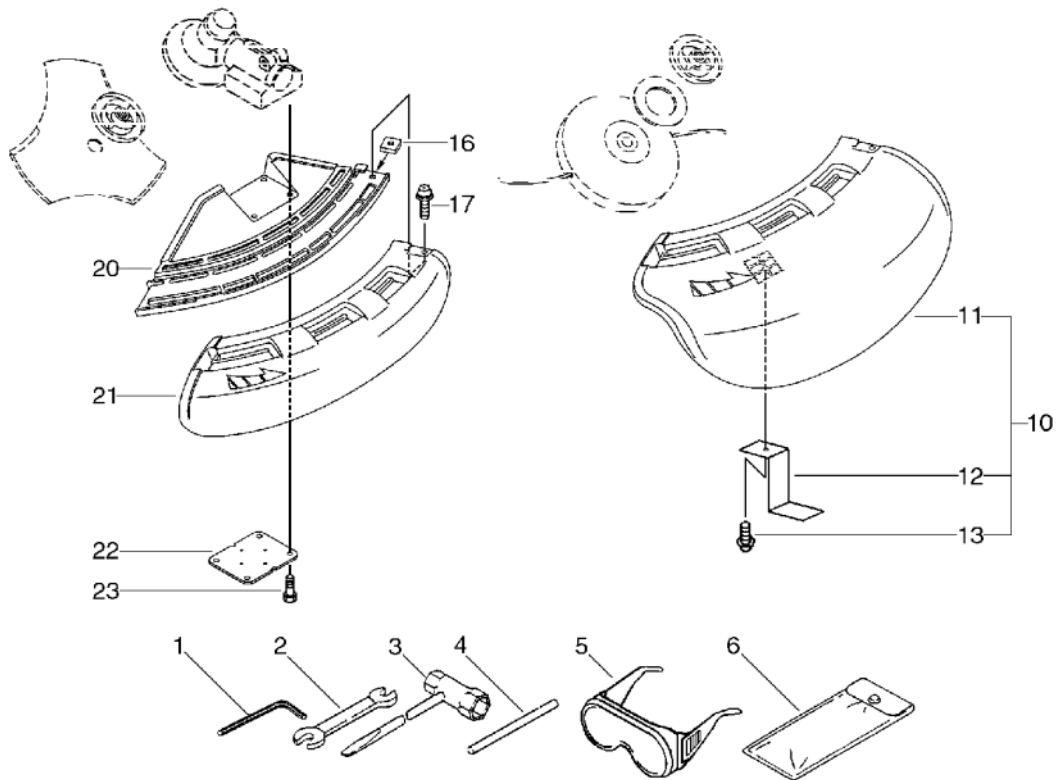
No.6



KEY	LV	PART NUMBER	Q'TY	DESCRIPTION	REMARKS	NOTE1	NOTE2
1		895610-00130	1	L-WRENCH (4MM)			
2		895112-00330	1	SPANNER 8*10			
3		895410-08030	1	WRENCH, W/S. DRIVER		Sus. by X602-000020	
3		X602-000020	1	TOOL,WRENCH	17*19 L200		
4		897518-01131	1	LOCKING TOOL			
5		899580-68730	1	SAFETY GLASSES		Sus. by P021-002861	
5		P021-002861	1	GOGGLES			
6		898510-39130	1	BAG, TOOL			
10		P021-002620	1	SHIELD,BLADE(W/KNIFE)		Sr/Nr 002201 and after	
11	+	C550-000080	1	SHIELD,BLADE		Sr/Nr 002201 and after	
12	+	C554-000000	1	KNIFE,CORD		Sr/Nr 002201 and after	
13	+	900252-05012	1	SCREW 5*12	5*12	Sr/Nr 002201 and after	
16		900565-00005	1	NUT	5	Sr/Nr 002201 and after	
17		900242-05018	1	SCREW 5*18	5*18	Sr/Nr 002201 and after	
20		C550-000100	1	SHIELD,BLADE		Sr/Nr 002201 and after	
21		C550-000090	1	SHIELD,BLADE		Sr/Nr 002201 and after	

6. Shield(Sr/Nr 002201 and after), Tools

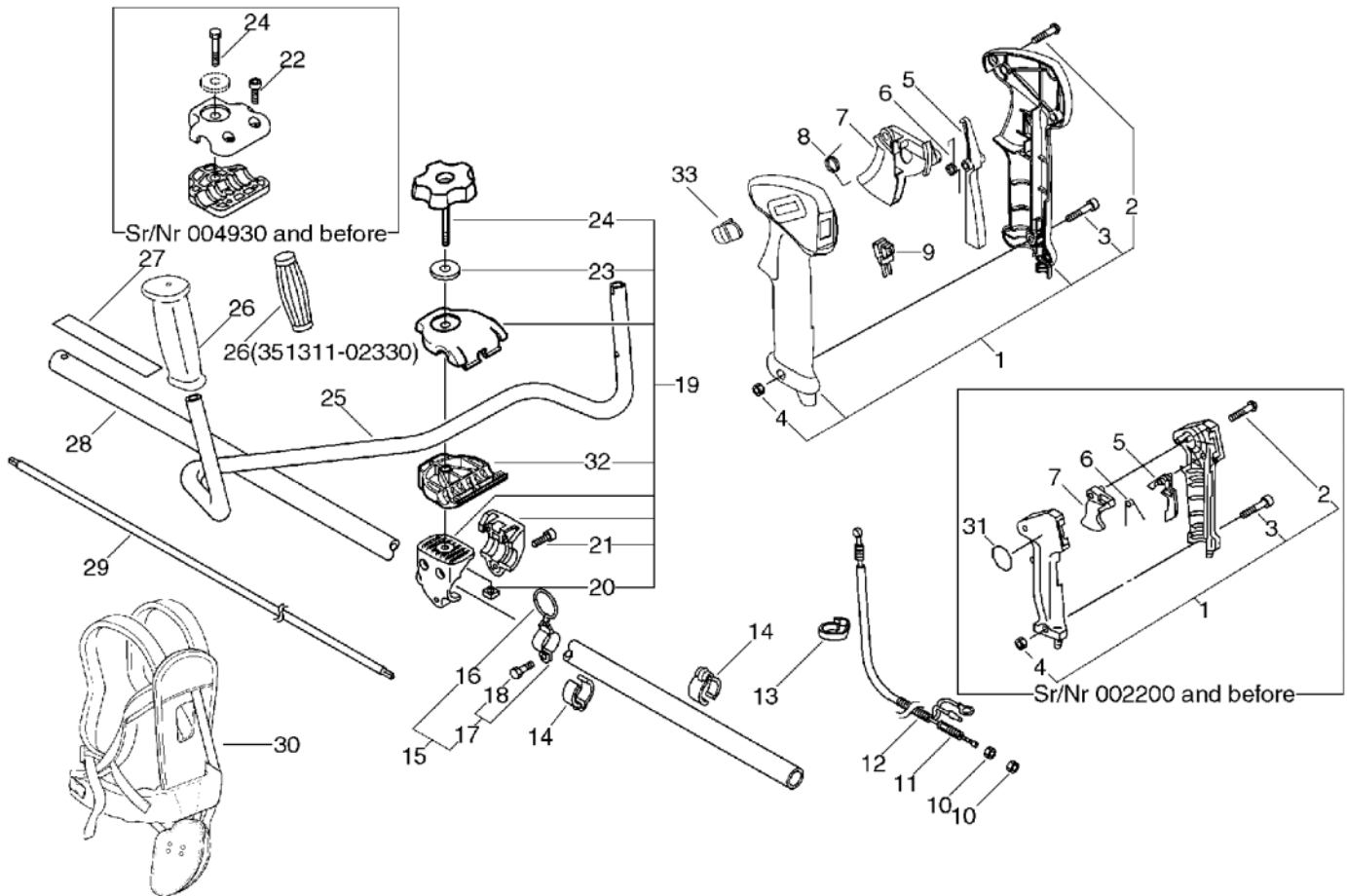
No.6



KEY	LV	PART NUMBER	Q'TY	DESCRIPTION	REMARKS	NOTE1	NOTE2
22		699013-56830	1	PLATE, SHIELD			
23		900162-05025	4	BOLT, H.S. 5*25	5*25 W,SW		

7. U-Handle

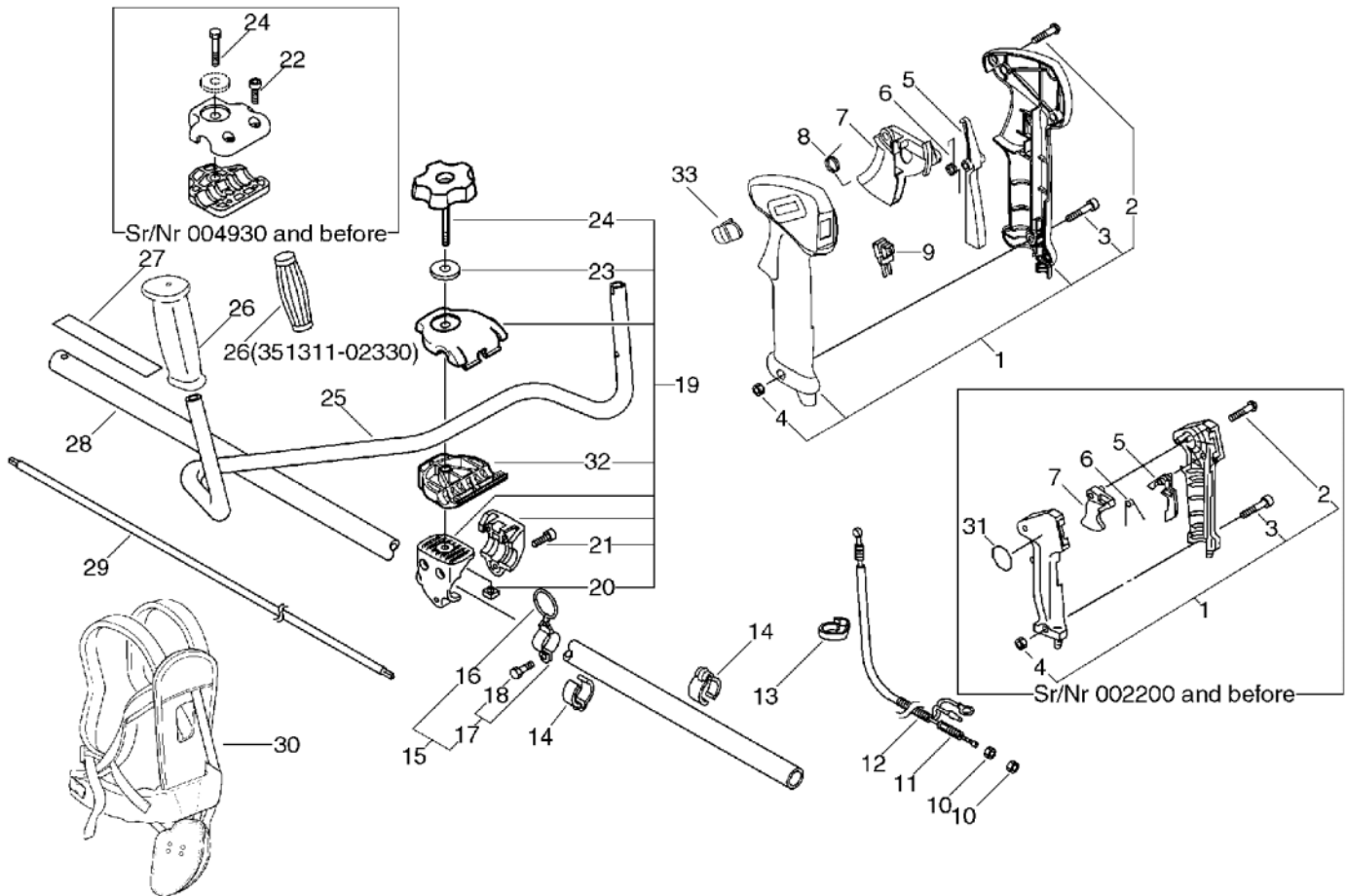
No.7



KEY	LV	PART NUMBER	Q'TY	DESCRIPTION	REMARKS	NOTE1	NOTE2
1		351102-47530	1	GRIP ASSY, F-HANDLE		Sr/Nr 002200 and before	
1		P021-002610	1	GRIP ASY,F-HANDLE		Sus. by P021-002612	
1		P021-002611	1	GRIP ASY,F-HANDLE		Sus. by P021-002612	
1		P021-002612	1	GRIP ASY,F-HANDLE		Sr/Nr 002201 and after	
2	+	900246-03025	4	SCREW 3*25	3*25	Sr/Nr 002200 and before	
2	+	900246-04016	3	SCREW 4*16	4*16	Sus. by 900253-04016	
2	+	900253-04016	3	SCREW 4*16	4*16	Sr/Nr 002201 and after	
3	+	900220-05030	1	SCREW 5*30	5*30		
4	+	900500-00005	1	NUT 5	5		
5		178012-05960	1	LOCKOUT, THROTTLE		Sr/Nr 002200 and before	
5		C460-000010	1	LOCKOUT,THROTTLE		Sus. by C460-000011	
5		C460-000011	1	LOCKOUT,THROTTLE		Sr/Nr 002201 and after	
6		178013-35631	1	SPRING, THR. LOCK		Sr/Nr 002200 and before	
6		V452-000050	1	SPRING,TORSION		Sr/Nr 002201 and after	

7. U-Handle

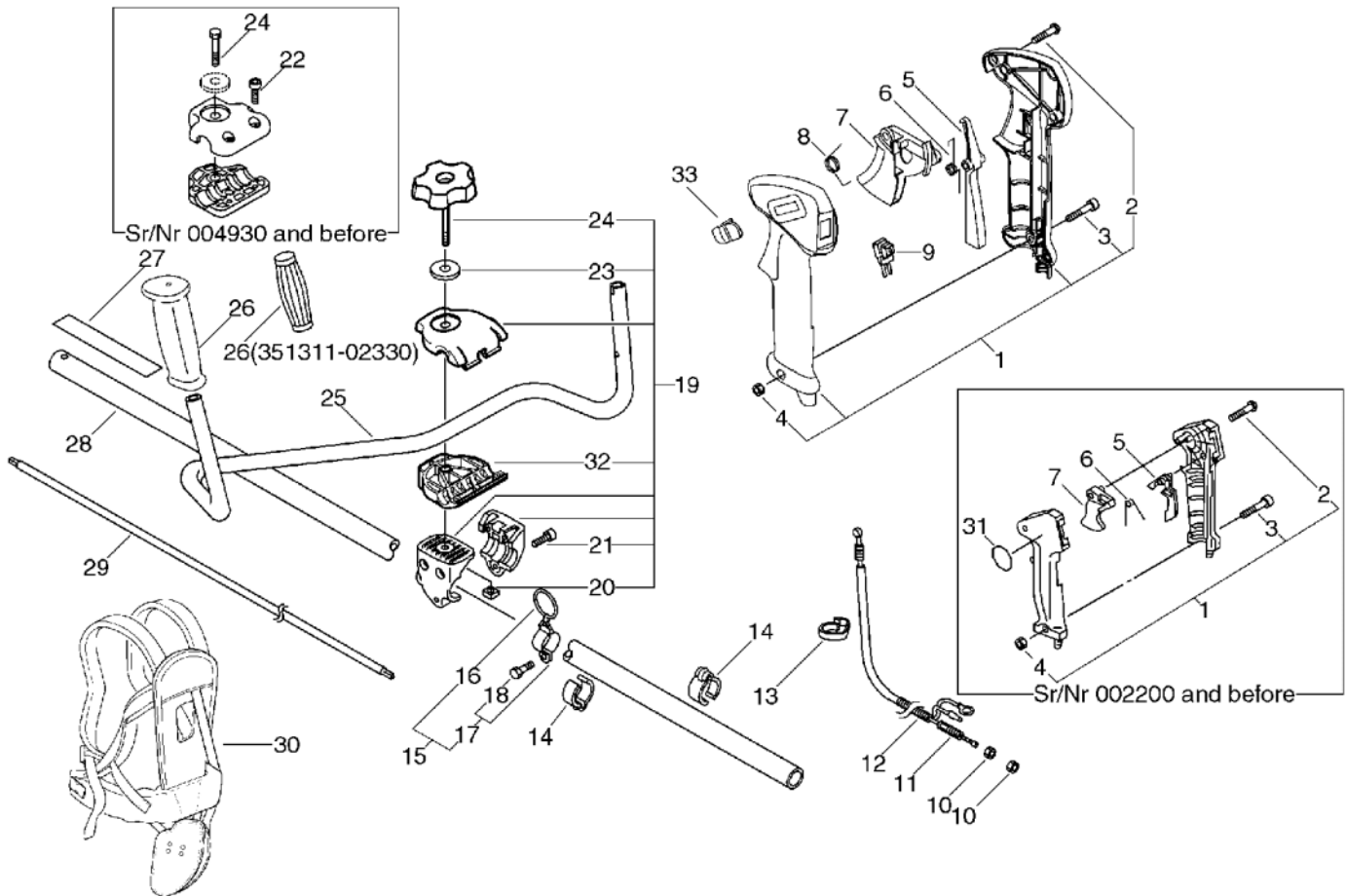
No.7



KEY	LV	PART NUMBER	Q'TY	DESCRIPTION	REMARKS	NOTE1	NOTE2
6		V452-000130	1	SPRING,TORSION		Can be used P021-002611 only	
7		178010-05960	1	CONTROL, THROTTLE		Sr/Nr 002200 and before	
7		C450-000020	1	TRIGGER,THROTTLE		Sus. by C450-000022	
7		C450-000022	1	TRIGGER,THROTTLE		Sr/Nr 002201 and after	
8		V452-000060	1	SPRING,TORSION		Sr/Nr 002201 and after	
9		163401-49230	1	SWITCH, IGNITION			
10		900502-00006	2	NUT 6 (3N)	3N6		
11		178001-47530	1	WIRE, THROTTLE		Sr/Nr 002200 and before	
11		V430-000410	1	CABLE,BOWDEN		Sr/Nr 002201 and after	
12		178127-47530	1	TUBE	7*10*760		
13		159112-09960	1	CLIP		Sus. by 159112-09961	
13		159112-09961	1	CLIP			
14		224924-52130	2	CLIP	25MM		
15		301200-21330	1	HOOK ASS'Y			
16	+	301015-05330	1	HOOK, BAND			
17	+	301205-21330	1	HOOK			
18	++	900105-05012	1	BOLT, H.S. 5*12	5*12		

7. U-Handle

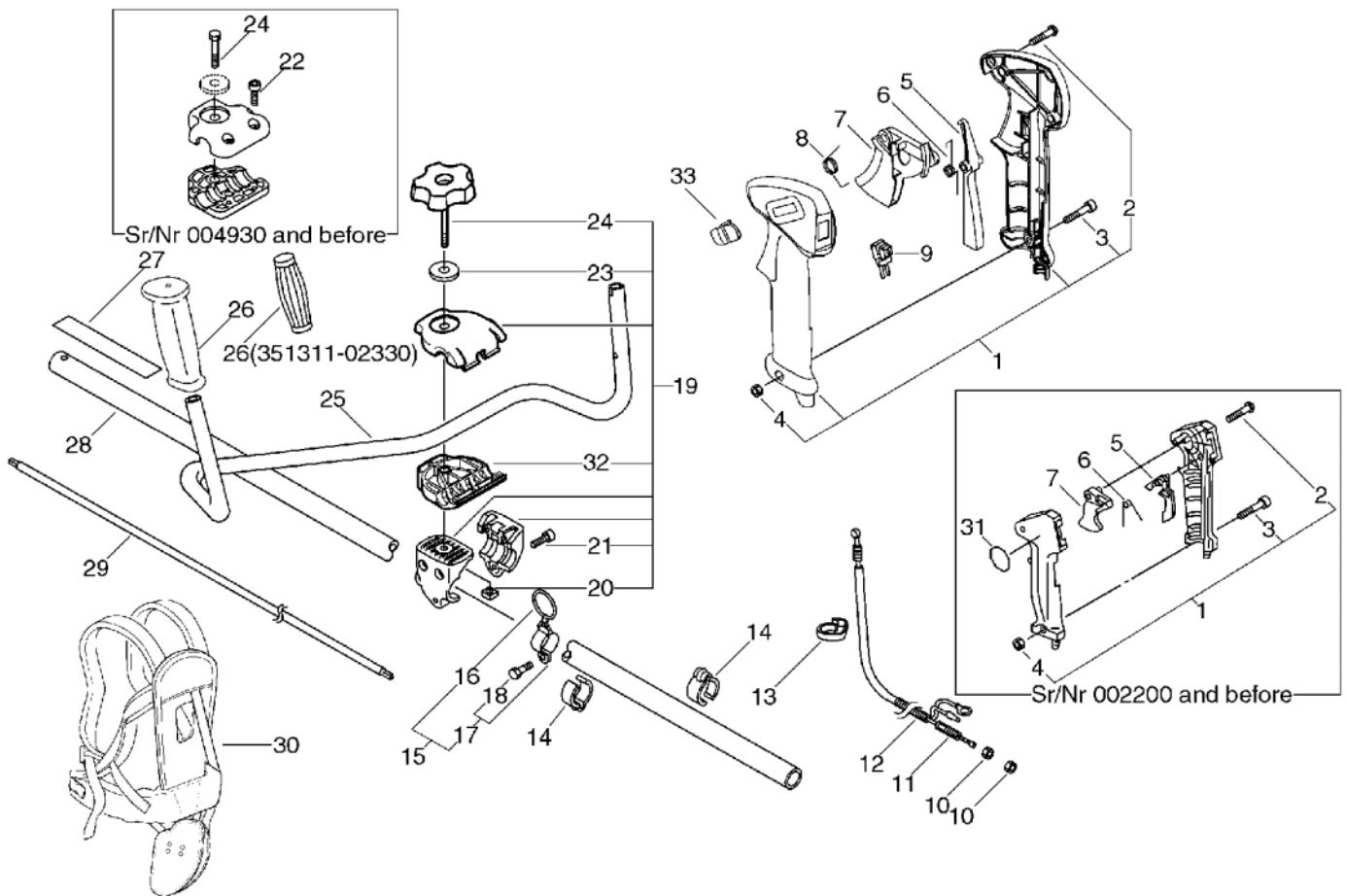
No.7



KEY	LV	PART NUMBER	Q'TY	DESCRIPTION	REMARKS	NOTE1	NOTE2
19		351301-52130	1	BRACKET ASSY, HANDLE		Sr/Nr 004930 and before	
19		P021-002750	1	BRACKET ASY, HANDLE		Sus. by P021-002751	
19		P021-002751	1	BRACKET ASY, HANDLE		Sr/Nr 004931 and after	
20	+	900565-50008	1	NUT	8*1.25		
21	+	900162-05030	3	BOLT, H.S. 5*30	5*30 W,SW		
22	+	900162-05020	2	BOLT, H.S. 5*20	5*20 W,SW	Sr/Nr 004930 and before	
23	+	605014-54230	1	WASHER			
24	+	351421-52130	1	BOLT		Sr/Nr 004930 and before	
24	+	V299-000110	1	KNOB,FASTENER		Sr/Nr 004931 and after	
32	+	C423-000041	1	FIXTURE,HANDLE		Sr/Nr 004931 and after	
25		C400-000000	1	HANDLE,FRONT			
26		351311-02330	1	GRIP, HANDLE		Sr/Nr 002200 and before	
26		C403-000030	1	GRIP,HANDLE		Sus. by C403-000031	
26		C403-000031	1	GRIP,HANDLE		Sr/Nr 002201 and after	
27		890617-43130	1	LABEL,CAUTION			
28		610206-28230	1	HOUSING ASSY D,SFT.			

7. U-Handle

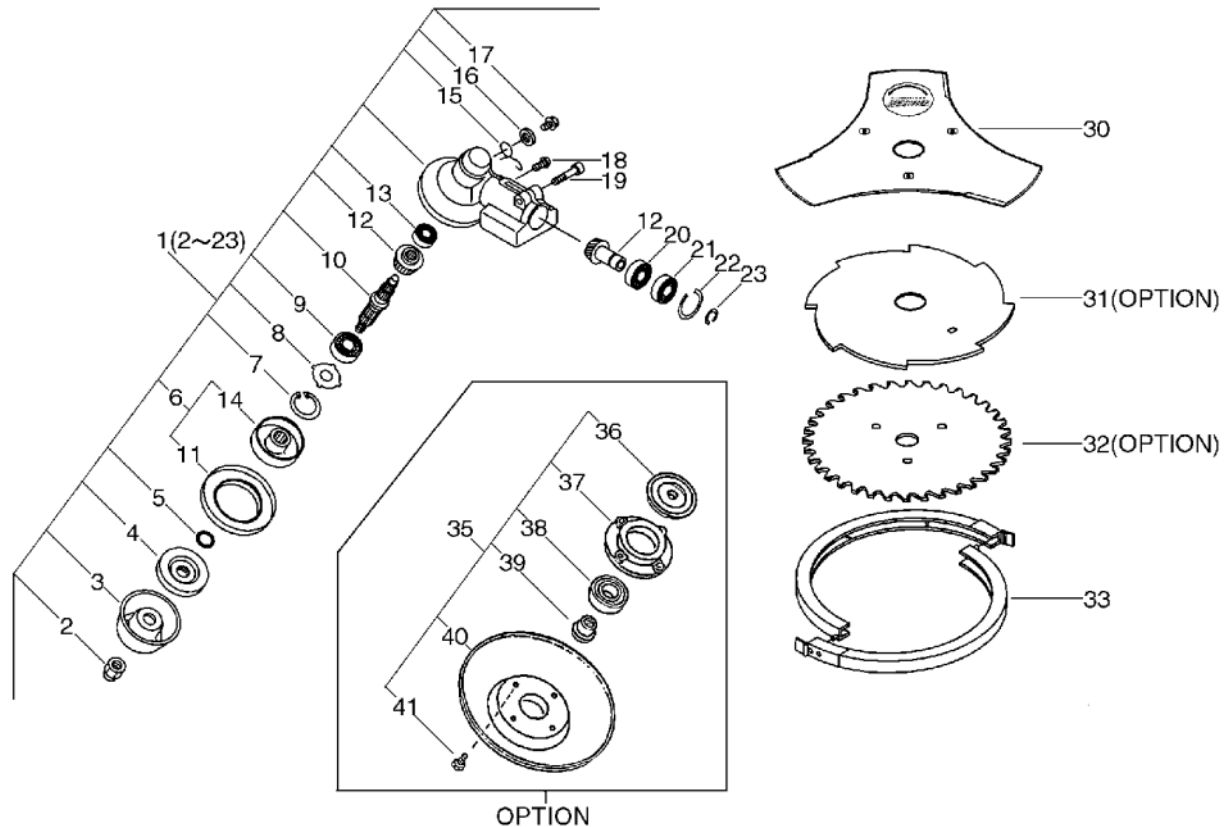
No.7



KEY	LV	PART NUMBER	Q'TY	DESCRIPTION	REMARKS	NOTE1	NOTE2
29		610018-27830	1	SHAFT, DRIVE			
30		301001-56831	1	HARNESS ASY, SHOULDER		Sus. by C062-000181	
30		C062-000180	1	HARNESS, SHOULDER	ECHO	Sus. by C062-000181	
30		C062-000181	1	HARNESS, SHOULDER			
31		890157-39130	1	LABEL, SWITCH		Sr/Nr 002200 and before	
33		C463-000000	1	KNOB, LATCH		Can be used P021-002611 only	

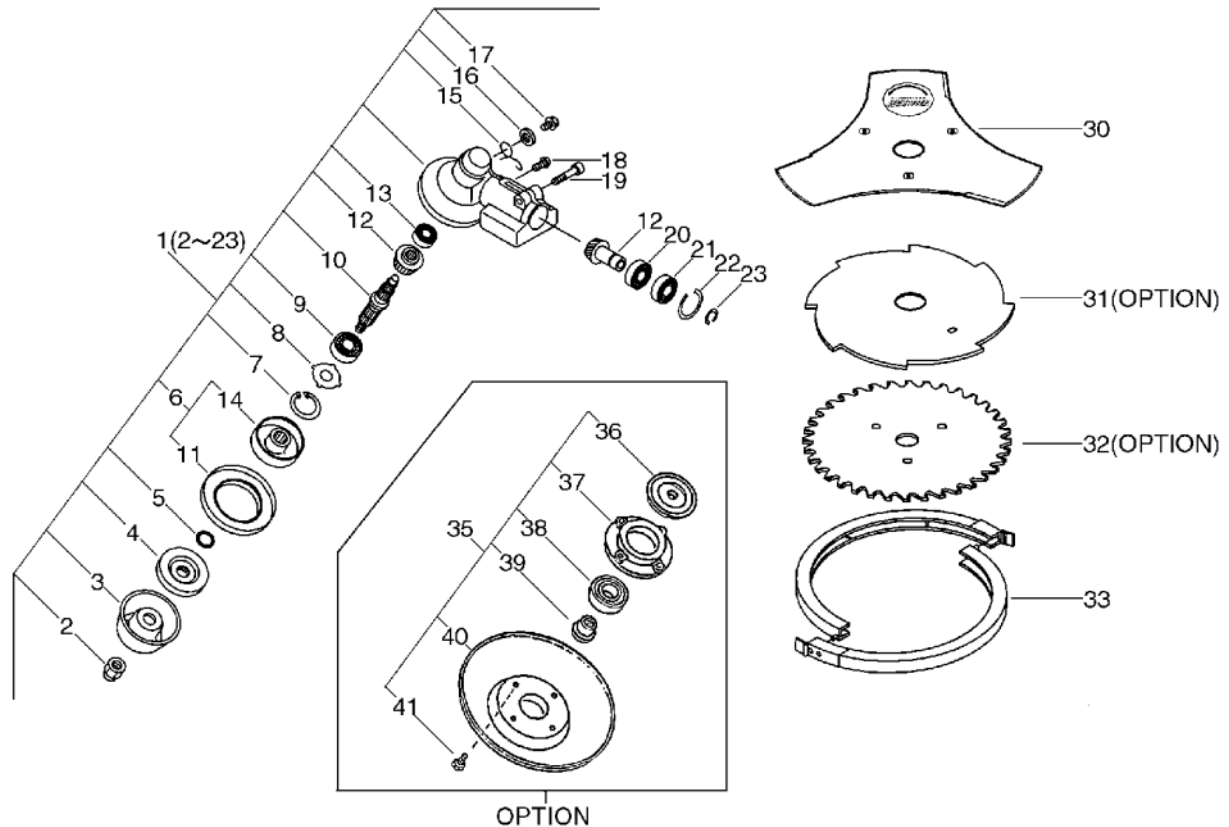
8. Gear Case(U-Handle Type), Blade

No.8



KEY	LV	PART NUMBER	Q'TY	DESCRIPTION	REMARKS	NOTE1	NOTE2
1		610400-56831	1	CASE ASY, GEAR		Sus. by 610400-56832	
1		610400-56832	1	CASE ASY, GEAR			
2	+	610320-52130	1	NUT 10			
3	+	699229-56830	1	PLATE, COVER			
4	+	610314-52130	1	PLATE, ADAPTER (L)			
5	+	900720-00012	1	O-RING 12	P-12		
6	+	C535-000000	1	FIXTURE, BLADE		Sus. by C535-000001	
6	+	C535-000001	1	FIXTURE, BLADE			
11	++	610352-56830	1	PLATE, CUP			
14	++	C535-000010	1	FIXTURE, BLADE		Sus. by C535-000011	
14	++	C535-000011	1	FIXTURE, BLADE			
7	+	900702-00032	1	CIRCLIP 32	CR-32		
8	+	610444-56830	1	WASHER			
9	+	900812-06201	1	BEARING, BALL 6201	6201DDU(LLU)		
10	+	610310-56830	1	SHAFT, P.T.O.			
12	+	610300-40830	1	GEAR SET			
13	+	900810-00626	1	BEARING, BALL 626	626		
15	+	610473-52131	1	SPRING			
16	+	900603-50008	1	WASHER	8.5*18*0.8T		
17	+	610434-50030	1	BOLT 8*6		Sus. by 610434-50031	
17	+	610434-50031	1	BOLT 8*8	M8*8		
18	+	900242-05010	1	SCREW 5*10	5*10		

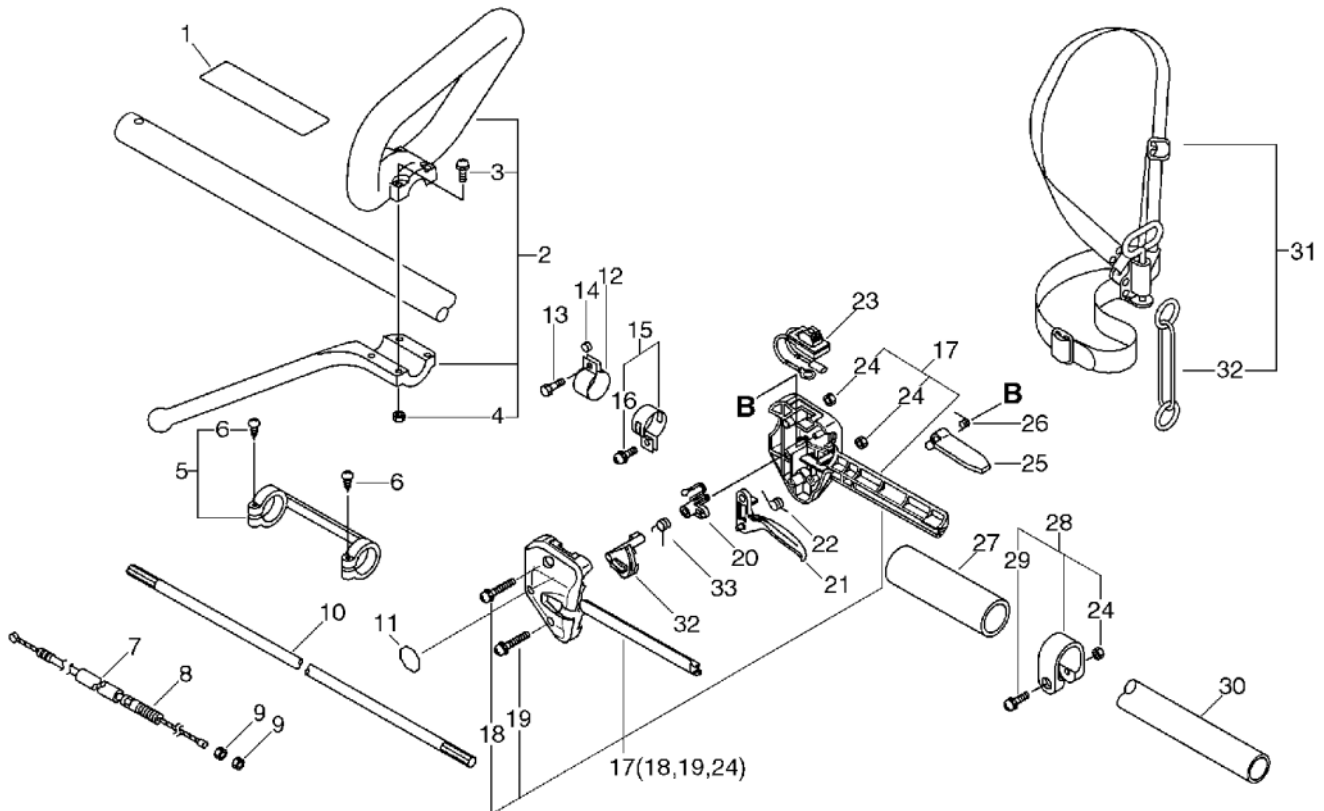
8. Gear Case(U-Handle Type), Blade No.8



KEY	LV	PART NUMBER	Q'TY	DESCRIPTION	REMARKS	NOTE1	NOTE2
19	+	900162-06025	1	BOLT, H.S. 6*25	6*25 W,SW		
20	+	900855-06900	1	BEARING, BALL 6900	6900		
21	+	900858-06900	1	BEARING, BALL 6900Z	6900Z		
22	+	900702-00022	1	CIRCLIP 22	CR-22		
23	+	900706-00010	1	CIRCLIP 10	WR-10		
30		X405-000010	1	SAW,BUSH CUTTER	3*230*25.4*T2.0	Sus. by X405-000011	
30		X405-000011	1	SAW,BUSH CUTTER	3*230*25.4*T2.0		
33		898523-47130	1	SCABBARD, BLADE		Sus. by P021-007470	
33		P021-007470	1	SCABBARD, BLADE			
31		696001-44731	1	BLADE, 8-CUTTER 9IN	230*8T*1.4 PD25	OPTION	
32		695001-44731	1	SAW, CIRCULAR 9*80T	230*80P*1.4 PD25	OPTION	
35		699200-56830	1	CAP ASSY, FREE		OPTION	
36	+	610313-56830	1	PLATE, ADAPTER (U)		OPTION	
37	+	699226-05430	1	HOLDER, BEARING		OPTION	
38	+	900814-06202	1	BEARING, BALL 6202	6202ZZ	OPTION	
39	+	699227-04630	1	NUT		OPTION	
40	+	699228-08930	1	PLATE, COVER		OPTION	
41	+	900141-05012	4	BOLT 5*12	5*12	OPTION	

9. Loop Handle

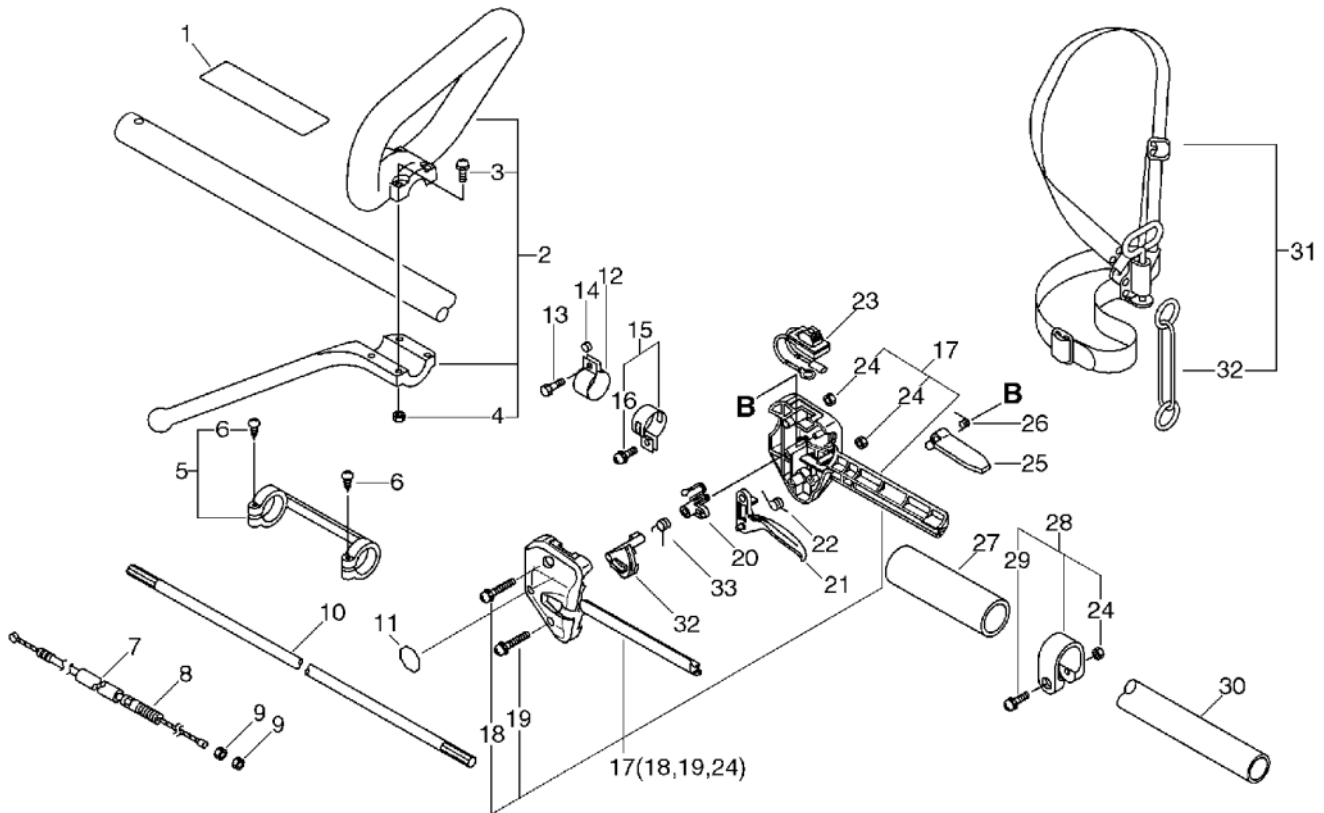
No.9



KEY	LV	PART NUMBER	Q'TY	DESCRIPTION	REMARKS	NOTE1	NOTE2
1		X505-000140	1	LABEL,CAUTION		Sus. by 890617-43130	
1		890617-43130	1	LABEL,CAUTION			
2		351201-54130	1	HANDLE ASSY, LOOP			
3	+	900242-05035	4	SCREW 5*35	5*35		
4	+	900500-00005	4	NUT 5	5		
5		610281-54130	1	COLLER			
6	+	900253-04025	2	SCREW 4*25	4*25		
7		178127-54530	1	TUBE 7*10*130	7*10*130		
8		178001-51030	1	WIRE, THROTTLE			
9		900502-00006	2	NUT 6 (3N)	3N6		
10		610018-27830	1	SHAFT, DRIVE			
11		890157-39130	1	LABEL, SWITCH			
12		301207-08930	1	HOOK			
13		900100-05018	1	BOLT 5*18	5*18		
14		699012-03330	1	SPACER			
15		301200-29430	1	BAND ASSY			
16	+	900242-05014	1	SCREW 5*14	5*14		
17		178003-52130	1	BRACKET SET,THROTTLE			
18	+	900242-05035	1	SCREW 5*35	5*35		
19	+	900242-05025	1	SCREW 5*25	5*25		
24	+	900500-00005	2	NUT 5	5		
20		178012-52630	1	LOCKOUT, THROTTLE		Sus. by C461-000000	
20		C461-000000	1	LATCH,THROTTLE		Next production	

9. Loop Handle

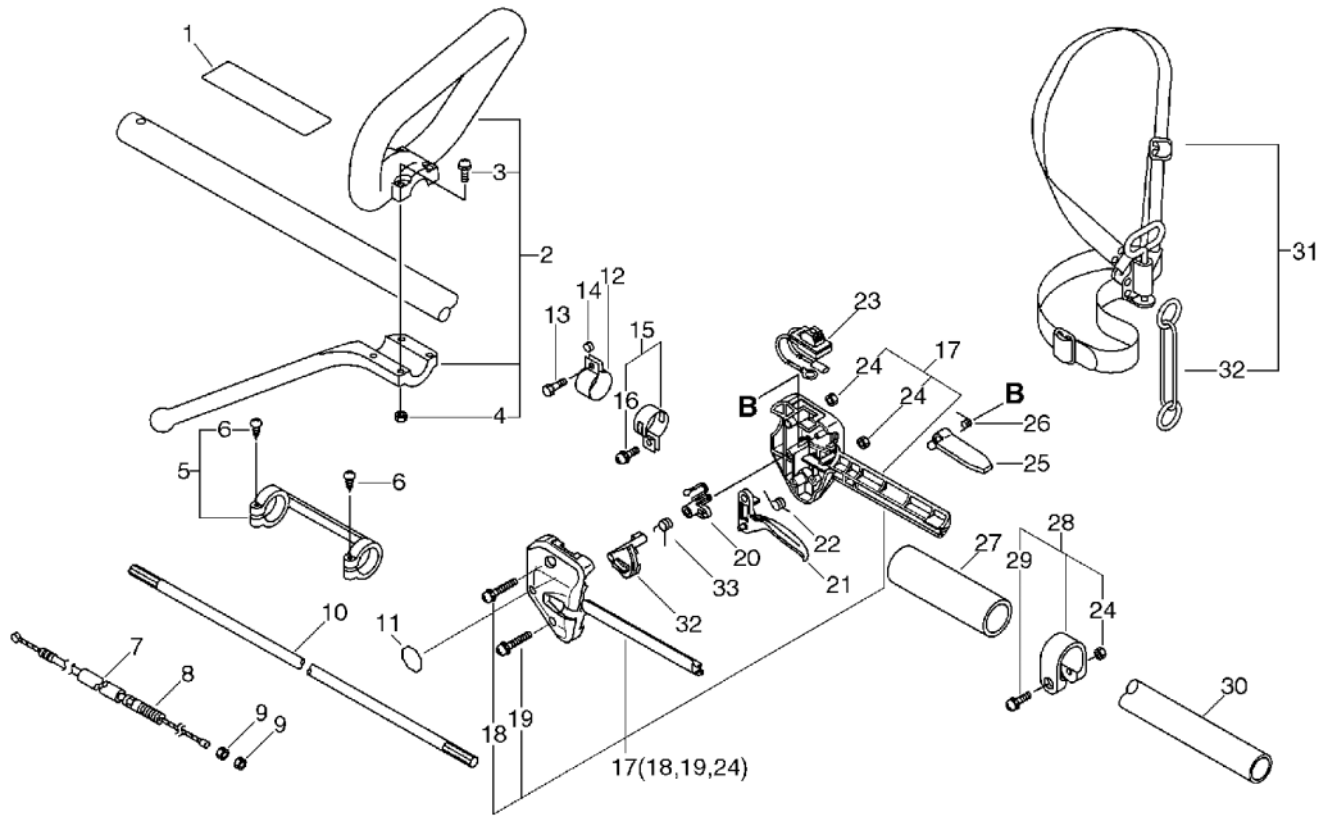
No.9



KEY	LV	PART NUMBER	Q'TY	DESCRIPTION	REMARKS	NOTE1	NOTE2
21		178010-52130	1	CONTROL, THROTTLE		Sus. by C450-000110	
21		C450-000110	1	TRIGGER, THROTTLE		Next production	
22		178043-42230	1	SPRING, THR. RETURN			
23		163400-49230	1	SWITCH, IGNITION			
25		178090-52630	1	LOCKOUT, T. CONTROL		Sus. by 178090-52632	
25		178090-52631	1	LOCKOUT, T. CONTROL		Sus. by 178090-52632	
25		178090-52632	1	LOCKOUT, T. CONTROL			
26		178013-52630	1	SPRING, THR. LOCK			
27		351213-52130	1	GRIP		Sus. by C403-000140	
27		C403-000140	1	GRIP, HANDLE	L129.5*28		
28		610272-52130	1	BAND			
24	+	900500-00005	1	NUT 5	5		
29	+	900242-05028	1	SCREW 5*28	5*28		
30		610206-28230	1	HOUSING ASS'Y D,SFT.			
31		301000-55230	1	HARNESS ASSY		Sus. by 301000-55231	
31		301000-55231	1	HARNESS ASY, SHOULDER			
32	+	301305-24330	1	LINK			
33		C461-000010	1	LATCH, THROTTLE		Can be used P021-005850 only	

9. Loop Handle

No.9

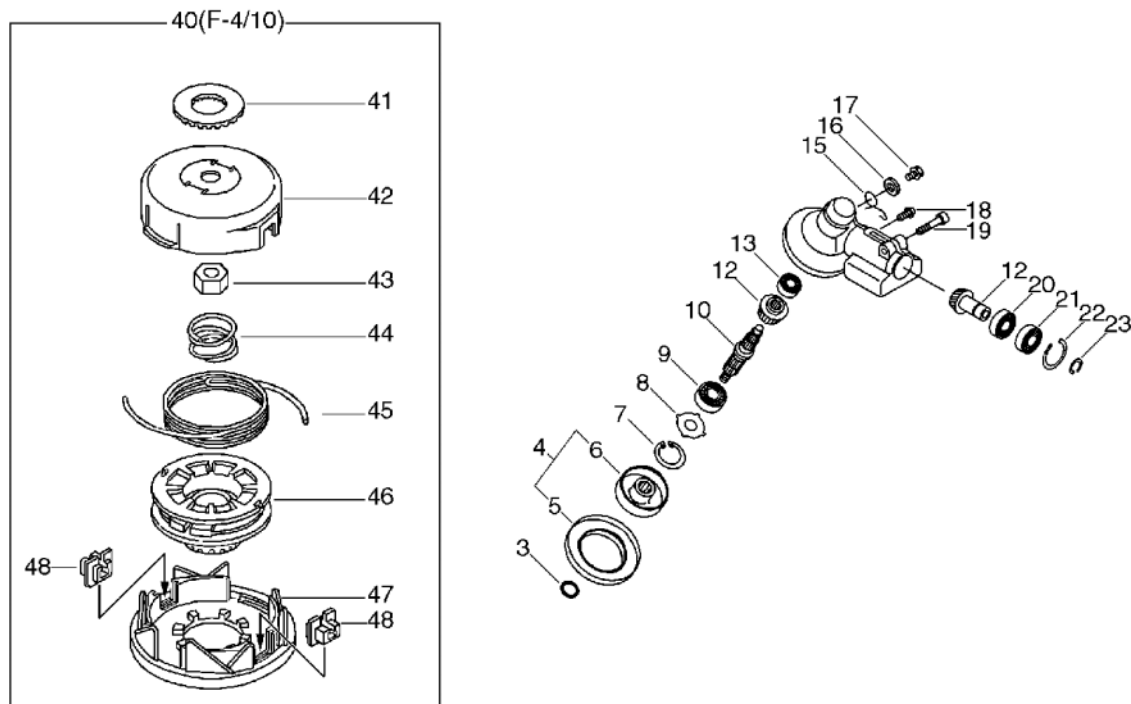


KEY	LV	PART NUMBER	Q'TY	DESCRIPTION	REMARKS	NOTE1	NOTE2
-----	----	-------------	------	-------------	---------	-------	-------

34		V452-000120	1	SPRING,TORSION		Can be used P021-005850 only	
----	--	-------------	---	----------------	--	------------------------------	--

10. Gear Case(Loop Handle Type), Nylon Line Cutting Head

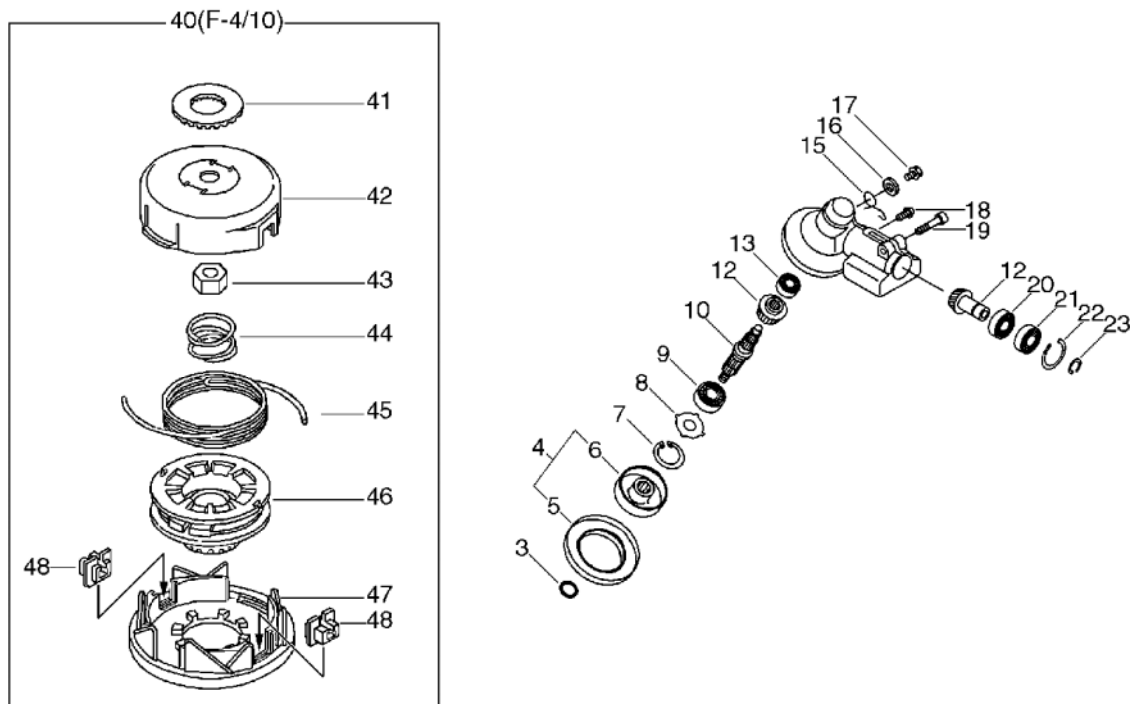
No.10



KEY	LV	PART NUMBER	Q'TY	DESCRIPTION	REMARKS	NOTE1	NOTE2
3		900720-00012	1	O-RING 12	P-12		
4		C535-000000	1	FIXTURE, BLADE		Sus. by C535-000001	
4		C535-000001	1	FIXTURE, BLADE			
5	+	610352-56830	1	PLATE, CUP			
6	+	C535-000010	1	FIXTURE, BLADE		Sus. by C535-000011	
6	+	C535-000011	1	FIXTURE, BLADE			
7		900702-00032	1	CIRCLIP 32	CR-32		
8		610444-56830	1	WASHER			
9		900812-06201	1	BEARING, BALL 6201	6201DDU(LLU)		
10		610310-56830	1	SHAFT, P.T.O.			
12		610300-40830	1	GEAR SET			
13		900810-00626	1	BEARING, BALL 626	626		
15		610473-52131	1	SPRING			
16		900603-50008	1	WASHER	8.5*18*0.8T		
17		610434-50030	1	BOLT 8*6		Sus. by 610434-50031	
17		610434-50031	1	BOLT 8*8	M8*8		
18		900242-05010	1	SCREW 5*10	5*10		
19		900162-06025	1	BOLT, H.S. 6*25	6*25 W, SW		
20		900855-06900	1	BEARING, BALL 6900	6900		
21		900858-06900	1	BEARING, BALL 6900Z	6900Z		
22		900702-00022	1	CIRCLIP 22	CR-22		
23		900706-00010	1	CIRCLIP 10	WR-10		

10. Gear Case(Loop Handle Type), Nylon Line Cutting Head

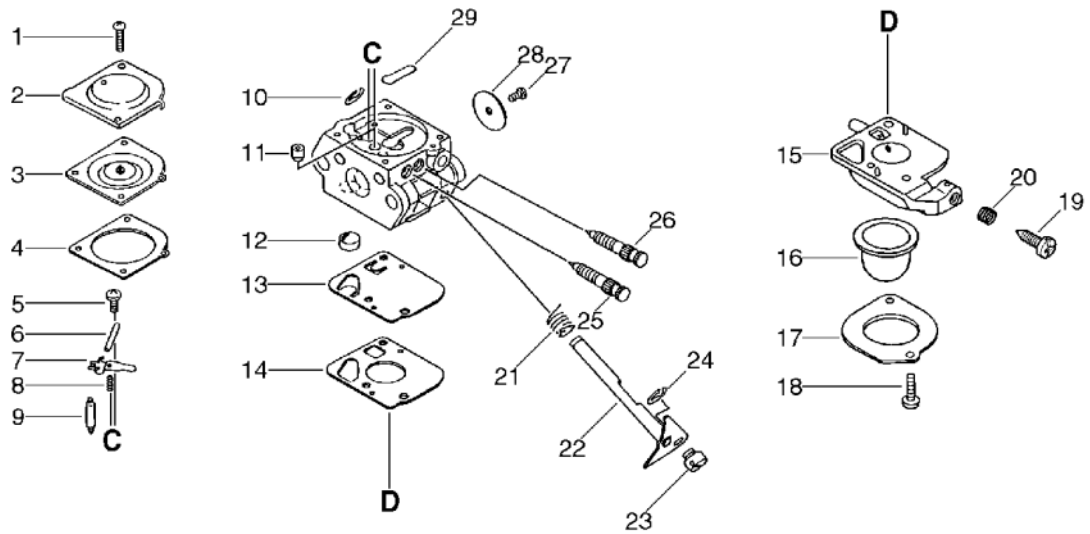
No.10



KEY	LV	PART NUMBER	Q'TY	DESCRIPTION	REMARKS	NOTE1	NOTE2
40		X047-000050	1	CUTTER,ASM LINE	DS-3/10	Sus. by X047-000260	
40		X047-000150	1	CUTTER,ASM LINE	F4/10 M10L	Sus. by X047-000260	
40		X047-000151	1	CUTTER,ASM LINE	F4/10 M10L	Sus. by X047-000260	
40		X047-000260	1	CUTTER,ASM LINE	F4/10 M10L	F-4/10	
41	+	V332-000000	1	WASHER,CIRCULAR 24			
42	+	X470-000020	1	DRUM,REEL		Sus. by P022-003310	
42	+	P022-002890	1	HOUSING		Sus. by P022-003310	
42	+	P022-003310	1	HOUSING			
43	+	P022-001220	1	NUT			
44	+	P022-001250	1	SPRING	DS-3/10		
45	+	P022-001230	1	NYLON CODE		Sus. by P022-006190	
45	+	P022-006190	1	NYLON CODE	3.0*2M		
46	+	P022-001260	1	BOBBIN	DS-3/10		
47	+	P022-001240	1	COVER	DS-3/10	Sus. by P022-003330	
47	+	P022-002860	1	COVER		Sus. by P022-003330	
47	+	P022-003330	1	COVER			
48	+	P022-000710	2	EYELET	T4		

11. Carburetor

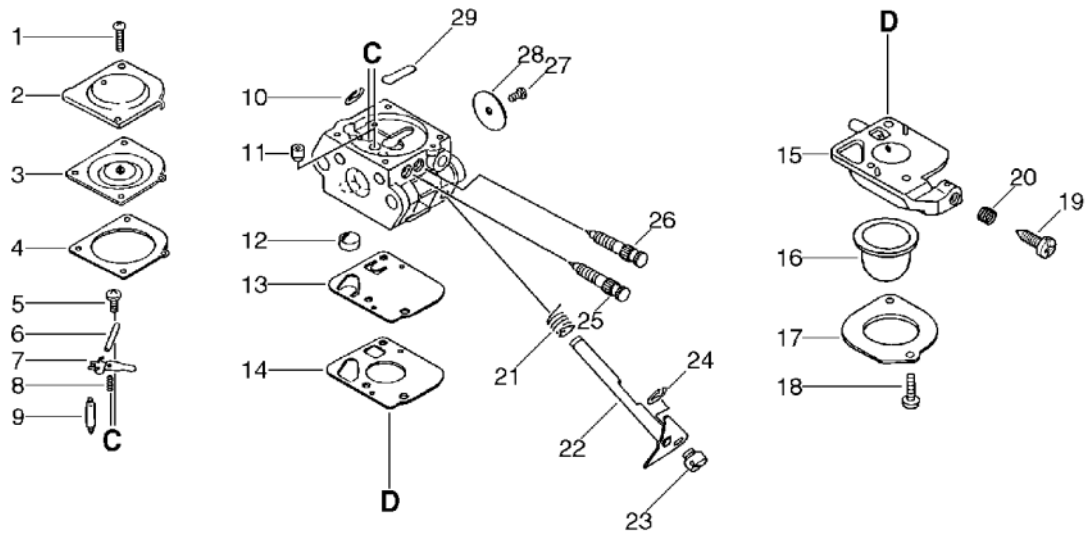
No.11



KEY	LV	PART NUMBER	Q'TY	DESCRIPTION	REMARKS	NOTE1	NOTE2
		125200-52431	1	CARBURETOR	C1U-K53	Sus. by 125200-52433	
		125200-52432	1	CARBURETOR	C1U-K53A	Sus. by 125200-52433	
		125200-52433	1	CARBURETOR	C1U-K53B		
1	+	125344-52130	2	SCREW			
2	+	125342-13210	1	COVER, DIAPHRAGM		Sus. by 125342-52130	
2	+	125342-52130	1	COVER, DIAPHRAGM			
3	+	125341-49030	1	DIAPHRAGM			
4	+	125340-51030	1	GASKET, DIAPHRAGM			
5	+	125339-42030	1	SCREW			
6	+	125338-13930	1	PIN, METERING ARM			
7	+	125323-42030	1	LEVER, METERING			
8	+	125322-42030	1	SPRING, COIL		Sus. by 125322-11520	
8	+	125322-11520	1	SPRING, COIL			
9	+	125337-06960	1	VALVE, INLET NEEDLE			
10	+	125327-15130	1	CLIP			
11	+	125376-49030	1	NOZZLE, CHACK VALVE		Sus. by P005-001050	
11	+	P005-001050	1	NOZZLE, CHECK VALVE			
12	+	125326-42030	1	STRAINER			
13	+	125312-12820	1	DIAPHRAGM, FUEL PUMP			
14	+	125325-13310	1	GASKET, PUMP			
15	+	P005-000590	1	BASE, ASY PRIMER			

11. Carburetor

No.11



KEY	LV	PART NUMBER	Q'TY	DESCRIPTION	REMARKS	NOTE1	NOTE2
16	+	125381-08660	1	PUMP, PRIMING			
17	+	125363-11610	1	RING			
18	+	125310-11610	2	SCREW			
19	+	125334-06960	1	SCREW, THROTTLE ADJUST			
20	+	125333-06960	1	SPRING, IDLE ADJUSTER			
21	+	125313-42030	1	SPRING, THRT. RETURN			
22	+	P005-000390	1	SHAFT, THROTTLE			
23	+	125372-42030	1	SWIVEL			
24	+	125327-13930	1	CLIP			
25	+	125320-52430	1	NEEDLE, HIGH SPEED		Can be used 125200- 52431,52432	
25	+	P005-001710	1	SCREW, MAIN MIXTURE		Can be used 125200-52433 only	
26	+	125318-52430	1	NEEDLE, IDLE			
27	+	125314-13930	1	SCREW	3*4		
28	+	125316-49030	1	VALVE, THROTTLE			
29	+	125345-15130	1	PLUG, WELCH			

12. Repair Kit

KEY	LV	PART NUMBER	Q'TY	DESCRIPTION	REMARKS	NOTE1	NOTE2
		125303-13310	1	DIAPHRAGM/GASKET KIT			
10- 3	+	125341-49030	1	DIAPHRAGM			
10- 4	+	125340-51030	1	GASKET, DIAPHRAGM			
10-13	+	125312-12820	1	DIAPHRAGM, FUEL PUMP			
10-14	+	125325-13310	1	GASKET, PUMP			
		125300-13310	1	REBUILD KIT		Sus. by P005-001810	
		P005-001810	1	REBUILD KIT			
10- 3	+	125341-49030	1	DIAPHRAGM			
10- 4	+	125340-51030	1	GASKET, DIAPHRAGM			
10- 6	+	125338-13930	1	PIN, METERING ARM			
10- 7	+	125323-42030	1	LEVER, METERING			
10- 8	+	125322-42030	1	SPRING, COIL		Sus. by 125322-11520	
10- 8	+	125322-11520	1	SPRING, COIL			
10- 9	+	125337-06960	1	VALVE, INLET NEEDLE			
10-12	+	125326-42030	1	STRAINER			
10-13	+	125312-12820	1	DIAPHRAGM, FUEL PUMP			
10-14	+	125325-13310	1	GASKET, PUMP			
10-29	+	125345-15130	1	PLUG, WELCH			

Index

Patrs Number	Key No.	Patrs Number	Key No.	Patrs Number	Key No.
100000-09563	1 - 4	125337-06960	12 - 10- 9	145866-42031	3 - 26
100011-09560	1 - 5	125338-13930	11 - 6	145876-42030	3 - 27
100013-11520	1 - 6	125338-13930	12 - 10- 6	150112-42030	2 - 14
100014-11520	1 - 8	125339-42030	11 - 5	156601-52130	2 - 8
100015-04630	1 - 7	125340-51030	11 - 4	156801-44731	2 - 15
100204-52130	1 - 11	125340-51030	12 - 10- 4	159010-10230	2 - 13
100204-52131	1 - 11	125340-51030	12 - 10- 4	159011-03432	2 - 12
100204-52132	1 - 11	125341-49030	11 - 3	159012-03433	2 - 11
100212-42030	1 - 12	125341-49030	12 - 10- 3	159017-10230	2 - 13
100212-42031	1 - 12	125341-49030	12 - 10- 3	159112-09960	7 - 13
100215-03930	1 - 13	125342-13210	11 - 2	159112-09961	7 - 13
100242-42030	1 - 15	125342-52130	11 - 2	162010-52830	2 - 10
101010-44332	1 - 3	125344-52130	11 - 1	163400-49230	9 - 23
101011-08961	1 - 1	125345-15130	11 - 29	163401-49230	7 - 9
101511-44730	1 - 17	125345-15130	12 - 10-29	175000-52731	2 - 6
101514-42031	1 - 19	125363-11610	11 - 17	175000-52732	2 - 6
125200-52431	11 -	125372-42030	11 - 23	175000-52733	2 - 6
125200-52431	3 - 6	125376-49030	11 - 11	175005-47630	2 - 5
125200-52432	11 -	125381-08660	11 - 16	175018-52131	2 - 7
125200-52432	3 - 6	130010-42032	3 - 1	177202-12220	2 - 21
125200-52433	11 -	130016-42031	3 - 5	177202-44330	2 - 21
125200-52433	3 - 6	130017-42031	3 - 4	177214-02830	2 - 44
125300-13310	12 -	130111-00530	4 - 8	177218-44330	2 - 23
125303-13310	12 -	130301-04560	3 - 8	177218-44330	2 - 23
125310-11610	11 - 18	130302-50630	3 - 15	177226-10120	2 - 36
125312-12820	11 - 13	130310-04560	3 - 14	177227-42030	2 - 28
125312-12820	12 - 10-13	130313-50630	3 - 17	177228-27030	2 - 27
125312-12820	12 - 10-13	130336-52130	3 - 19	177234-12220	2 - 22
125313-42030	11 - 21	130410-44730	3 - 12	177234-42030	2 - 22
125314-13930	11 - 27	130415-40630	3 - 18	178001-47530	7 - 11
125316-49030	11 - 28	131004-55530	4 - 4	178001-51030	9 - 8
125318-52430	11 - 26	131005-44331	4 - 1	178003-52130	9 - 17
125320-52430	11 - 25	131005-44332	4 - 1	178010-05960	7 - 7
125322-11520	11 - 8	131016-55830	4 - 5	178010-52130	9 - 21
125322-11520	12 - 10- 8	131051-56030	4 - 6	178012-05960	7 - 5
125322-42030	11 - 8	131205-07320	4 - 12	178012-52630	9 - 20
125322-42030	12 - 10- 8	131300-56430	4 - 7	178013-35631	7 - 6
125323-42030	11 - 7	131312-44330	4 - 9	178013-52630	9 - 26
125323-42030	12 - 10- 7	132010-13930	4 - 14	178043-42230	9 - 22
125325-13310	11 - 14	132010-56330	4 - 13	178090-52630	9 - 25
125325-13310	12 - 10-14	132013-09820	4 - 11	178090-52631	9 - 25
125325-13310	12 - 10-14	132115-46730	4 - 10	178090-52632	9 - 25
125326-42030	11 - 12	145631-42030	3 - 31	178127-47530	7 - 12
125326-42030	12 - 10-12	145803-52130	3 - 21	178127-54530	9 - 7
125327-13930	11 - 24	145803-52131	3 - 21	178510-48830	3 - 7
125327-15130	11 - 10	145820-52130	3 - 23	178515-04560	3 - 10
125333-06960	11 - 20	145862-40630	3 - 24	178516-00830	3 - 11
125334-06960	11 - 19	145862-52130	3 - 24	178810-05230	3 - 9
125337-06960	11 - 9	145863-42030	3 - 28	224924-52130	7 - 14

Index

Patrs Number	Key No.	Patrs Number	Key No.	Patrs Number	Key No.
301000-55230	9 - 31	699000-52931	5 - 25	900242-05010	10 - 18
301000-55231	9 - 31	699010-52931	5 - 34	900242-05010	8 - 18
301001-56831	7 - 30	699012-03330	9 - 14	900242-05014	9 - 16
301015-05330	7 - 16	699013-52130	5 - 26	900242-05018	6 - 17
301200-21330	7 - 15	699013-56830	5 - 30	900242-05025	9 - 19
301200-29430	9 - 15	699013-56830	6 - 22	900242-05028	9 - 29
301205-21330	7 - 17	699016-54530	5 - 31	900242-05035	9 - 3
301207-08930	9 - 12	699200-56830	8 - 35	900242-05035	9 - 18
301305-24330	9 - 32	699226-05430	8 - 37	900242-05057	3 - 13
305110-42030	4 - 3	699227-04630	8 - 39	900243-05016	4 - 2
351102-47530	7 - 1	699228-08930	8 - 40	900246-03025	7 - 2
351201-54130	9 - 2	699229-56830	8 - 3	900246-04016	7 - 2
351213-52130	9 - 27	890121-47530	3 - 20	900252-05012	6 - 13
351301-52130	7 - 19	890157-39130	7 - 31	900253-04016	7 - 2
351311-02330	7 - 26	890157-39130	9 - 11	900253-04025	9 - 6
351421-52130	7 - 24	890617-43130	7 - 27	900253-05020	2 - 25
605014-54230	7 - 23	890617-43130	9 - 1	900500-00005	3 - 2
610018-27830	7 - 29	895112-00330	6 - 2	900500-00005	5 - 33
610018-27830	9 - 10	895410-08030	6 - 3	900500-00005	7 - 4
610206-28230	7 - 28	895610-00130	6 - 1	900500-00005	9 - 4
610206-28230	9 - 30	897518-01131	6 - 4	900500-00005	9 - 24
610223-44730	1 - 29	898510-39130	6 - 6	900500-00005	9 - 24
610272-52130	9 - 28	898523-47130	8 - 33	900502-00006	7 - 10
610281-54130	9 - 5	899580-68730	6 - 5	900502-00006	9 - 9
610300-40830	10 - 12	900100-05018	9 - 13	900565-00005	6 - 16
610300-40830	8 - 12	900105-05012	2 - 45	900565-50008	7 - 20
610310-56830	10 - 10	900105-05012	7 - 18	900600-00005	3 - 30
610310-56830	8 - 10	900105-05055	3 - 29	900603-00005	5 - 32
610313-56830	8 - 36	900141-05012	8 - 41	900603-50008	10 - 16
610314-52130	8 - 4	900162-04016	2 - 48	900603-50008	8 - 16
610320-52130	8 - 2	900162-04022	2 - 9	900701-00012	2 - 2
610352-56830	10 - 5	900162-05014	5 - 28	900702-00022	10 - 22
610352-56830	8 - 11	900162-05018	5 - 27	900702-00022	8 - 22
610400-56831	8 - 1	900162-05020	7 - 22	900702-00028	2 - 4
610400-56832	8 - 1	900162-05022	1 - 2	900702-00032	10 - 7
610434-50030	10 - 17	900162-05025	1 - 24	900702-00032	8 - 7
610434-50030	8 - 17	900162-05025	5 - 29	900706-00010	10 - 23
610434-50031	10 - 17	900162-05025	6 - 23	900706-00010	8 - 23
610434-50031	8 - 17	900162-05028	1 - 16	900720-00004	3 - 16
610444-56830	10 - 8	900162-05030	7 - 21	900720-00012	10 - 3
610444-56830	8 - 8	900162-06025	10 - 19	900720-00012	8 - 5
610473-52131	10 - 15	900162-06025	8 - 19	900807-06001	2 - 3
610473-52131	8 - 15	900220-05030	7 - 3	900810-00626	10 - 13
610903-27432	1 - 23	900238-04010	3 - 25	900810-00626	8 - 13
610910-27832	1 - 27	900238-04010	3 - 25	900812-06201	10 - 9
610922-27432	1 - 25	900238-04012	1 - 20	900812-06201	8 - 9
610923-27432	1 - 26	900238-04016	1 - 22	900814-06202	8 - 38
695001-44731	8 - 32	900238-05016	1 - 28	900855-06900	10 - 20
696001-44731	8 - 31	900238-05020	3 - 3	900855-06900	8 - 20

Index

Patrs Number	Key No.	Patrs Number	Key No.	Patrs Number	Key No.
900858-06900	10 - 21	C550-000090	6 - 21	X047-000151	10 - 40
900858-06900	8 - 21	C550-000100	6 - 20	X047-000260	10 - 40
94035-36201	1 - 14	C554-000000	6 - 12	X405-000010	8 - 30
A011-000100	1 - 9	P005-000390	11 - 22	X405-000011	8 - 30
A011-000101	1 - 9	P005-000590	11 - 15	X470-000020	10 - 42
A051-000120	2 - 26	P005-001050	11 - 11	X502-000030	2 - 50
A051-000121	2 - 26	P005-001710	11 - 25	X502-000031	2 - 50
A051-000122	2 - 26	P005-001810	12 -	X502-000032	2 - 50
A051-000123	2 - 26	P021-002420	2 - 40	X505-000140	9 - 1
A051-000124	2 - 26	P021-002421	2 - 40	X505-000620	2 - 51
A051-000370	2 - 26	P021-002422	2 - 40	X543-000000	1 - 21
A051-000371	2 - 26	P021-002610	7 - 1	X602-000020	6 - 3
A053-000030	2 - 39	P021-002611	7 - 1		
A053-000031	2 - 39	P021-002612	7 - 1		
A320-000250	3 - 31	P021-002620	6 - 10		
A320-000251	3 - 31	P021-002750	7 - 19		
A503-000000	2 - 29	P021-002751	7 - 19		
A503-000010	2 - 29	P021-002861	6 - 5		
A504-000000	2 - 31	P021-007470	8 - 33		
A504-000001	2 - 31	P021-008360	3 - 21		
A506-000010	2 - 35	P022-000710	10 - 48		
A514-000010	2 - 37	P022-001220	10 - 43		
A520-000000	2 - 43	P022-001230	10 - 45		
A520-000001	2 - 43	P022-001240	10 - 47		
A520-000002	2 - 43	P022-001250	10 - 44		
C062-000180	7 - 30	P022-001260	10 - 46		
C062-000181	7 - 30	P022-002860	10 - 47		
C400-000000	7 - 25	P022-002890	10 - 42		
C403-000030	7 - 26	P022-003310	10 - 42		
C403-000031	7 - 26	P022-003330	10 - 47		
C403-000140	9 - 27	P022-006190	10 - 45		
C423-000041	7 - 32	V104-000160	3 - 22		
C450-000020	7 - 7	V253-000060	2 - 45		
C450-000022	7 - 7	V299-000110	7 - 24		
C450-000110	9 - 21	V332-000000	10 - 41		
C460-000010	7 - 5	V355-000080	2 - 32		
C460-000011	7 - 5	V376-000160	2 - 47		
C461-000000	9 - 20	V430-000410	7 - 11		
C461-000010	9 - 33	V450-000130	2 - 38		
C463-000000	7 - 33	V452-000050	7 - 6		
C535-000000	10 - 4	V452-000060	7 - 8		
C535-000000	8 - 6	V452-000120	9 - 34		
C535-000001	10 - 4	V452-000130	7 - 6		
C535-000001	8 - 6	V471-001190	4 - 14		
C535-000010	10 - 6	V471-001200	4 - 9		
C535-000010	8 - 14	V553-000010	1 - 10		
C535-000011	10 - 6	V641-000040	2 - 33		
C535-000011	8 - 14	X047-000050	10 - 40		
C550-000080	6 - 11	X047-000150	10 - 40		

YAMABIKO CORPORATION

7-2 SUEHIROCHO 1-CHOME, OHME, TOKYO 198-8760, JAPAN
PHONE: 81-428-32-6118. FAX: 81-428-32-6145.



455S
No.