



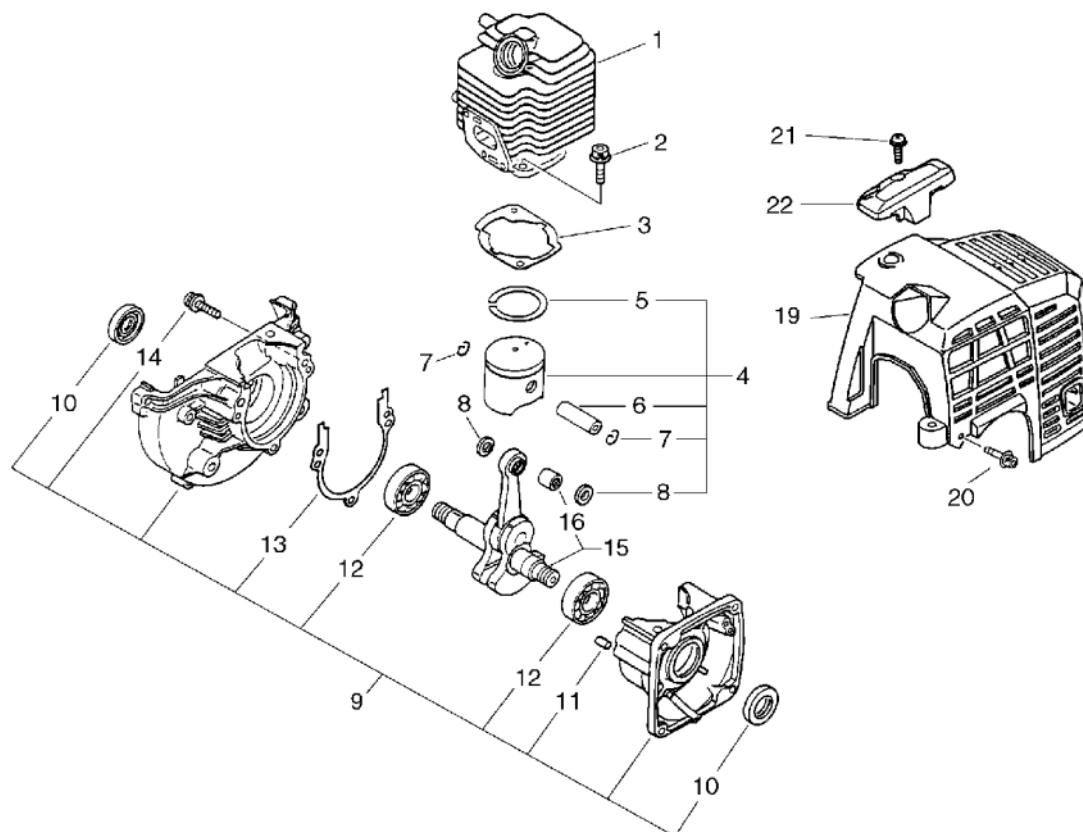
PARTS CATALOGUE

GRASS-TRIMMER / BRUSHCUTTER

SRM-22G

1. Cylinder, Crankcase, Piston

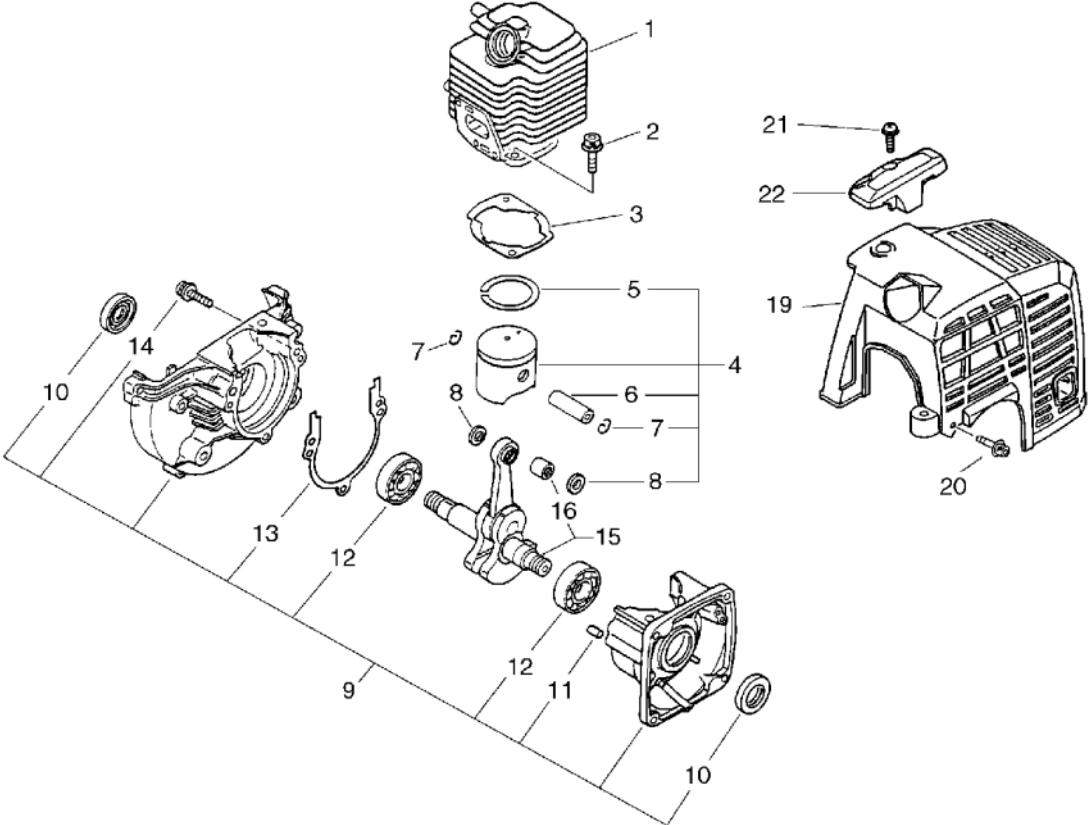
No.1



| KEY | LV | PART NUMBER | Q'TY | DESCRIPTION | REMARKS | NOTE1 | NOTE2 |
|-----|----|--------------|------|---------------------|----------------|---------------------|-------|
| 1 | | A130-000011 | 1 | CYLINDER | | | |
| 2 | | 900162-05022 | 2 | BOLT, H.S. 5*22 | 5*22 W,SW | | |
| 3 | | 101010-44332 | 1 | GASKET, CYL. BASE | | | |
| 4 | | P021-001101 | 1 | PISTON KIT | | Sus. by P021-001102 | |
| 4 | | P021-001102 | 1 | PISTON KIT | | | |
| 5 | + | A101-000000 | 2 | RING,PISTON | | | |
| 6 | + | 100013-11520 | 1 | PIN, PISTON | | | |
| 7 | + | 100015-04630 | 2 | CIRCLIP, PISTON PIN | | | |
| 8 | + | 100014-11520 | 2 | SPACER, PISTON PIN | | Sus. by V306-000150 | |
| 8 | + | V306-000150 | 2 | WASHER,CIRCULAR 8 | 8.2*13*0.8 | | |
| 9 | | 100204-52132 | 1 | CRANKCASE KIT | | | |
| 10 | + | 100212-42031 | 2 | OILSEAL | ISCD 12*22*4.5 | | |
| 11 | + | 100215-03930 | 2 | PIN, DOWEL | | | |
| 12 | + | 94035-36201 | 2 | BEARING BALL | 6201X3JR2C3 | | |
| 13 | + | 100242-42030 | 1 | GASKET, CRANKCASE | | | |
| 14 | + | 900162-05028 | 3 | BOLT, H.S. 5*28 | 5*28 W,SW | | |
| 15 | | A011-000001 | 1 | CRANKSHAFT,ASM | | Sus. by A011-000002 | |
| 15 | | A011-000002 | 1 | CRANKSHAFT,ASM | | | |
| 16 | + | V553-000010 | 1 | BEARING,NEEDLE 8 | HK0810 | | |
| 19 | | A160-000630 | 1 | COVER,CYLINDER | | | |
| 20 | | 900238-04016 | 2 | SCREW 4*16 | 4*16 | | |
| 21 | | 900253-05020 | 1 | SCREW 5*20 | 5*20 | | |

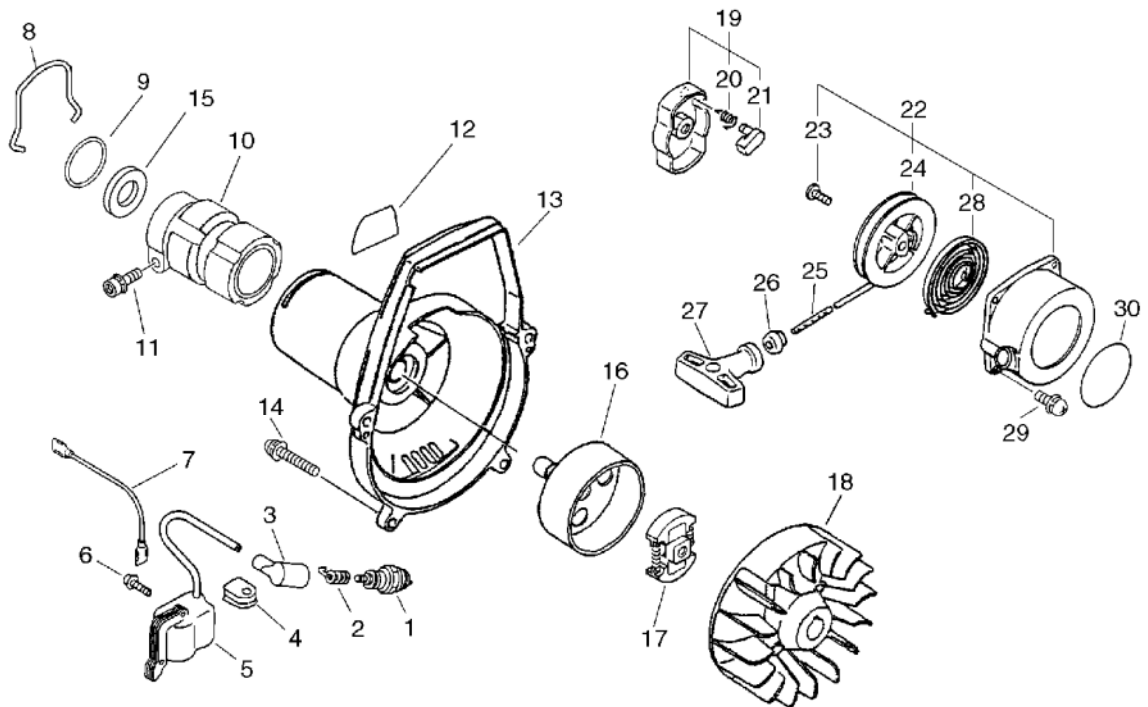
1. Cylinder, Crankcase, Piston

No.1



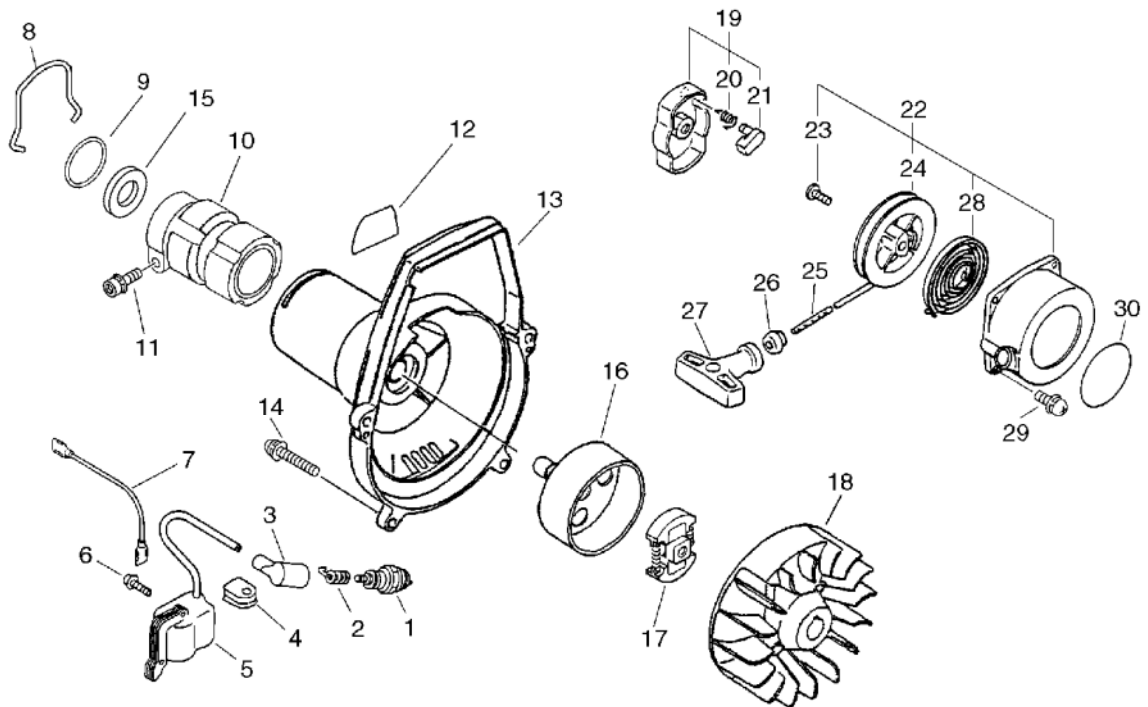
| KEY | LV | PART NUMBER | Q'TY | DESCRIPTION | REMARKS | NOTE1 | NOTE2 |
|-----|----|-------------|------|-------------|---------|-------|-------|
| 22 | | A162-000060 | 1 | GUARD, TOP | | | |

2. Starter, Magneto, Clutch



| KEY | LV | PART NUMBER | Q'TY | DESCRIPTION | REMARKS | NOTE1 | NOTE2 |
|-----|----|--------------|------|-----------------------|----------------|---------------------|-------|
| 1 | | 159010-10230 | 1 | PLUG, SPARK (BPMR-7A) | BPMR-7A | | |
| 2 | | 159011-03432 | 1 | COIL, SPARK PLUG | | | |
| 3 | | 159012-03433 | 1 | CAP, SPARK PLUG | | | |
| 4 | | 156112-40630 | 1 | GROMMET | | | |
| 5 | | 156601-52130 | 1 | COIL, IGNITION | | | |
| 6 | | 900162-04022 | 2 | BOLT, H.S. 4*22 | 4*22 W,SW | | |
| 7 | | 162010-52830 | 1 | LEAD, GROUND | | | |
| 8 | | 660316-55630 | 1 | CLIP | | | |
| 9 | | V315-000030 | 1 | WASHER,CIRCULAR 30 | 33.5*41.0*T0.5 | | |
| 10 | | 610922-55931 | 1 | HOLDER, MAIN PIPE | | | |
| 11 | | 900162-05028 | 1 | BOLT, H.S. 5*28 | 5*28 W,SW | | |
| 12 | | X547-000080 | 1 | LABEL,ECHO | SRM-22G | | |
| 13 | | A172-000340 | 1 | COVER,FAN | | | |
| 14 | | 91363-04016 | 3 | SCREW | SMB-4*16/W,SW | | |
| 15 | | 175313-20430 | 1 | RING, FELT | | | |
| 16 | | 175005-44331 | 1 | DRUM, CLUTCH | | | |
| 17 | | 175000-56830 | 1 | CLUTCH ASSY | | | |
| 18 | | A409-000000 | 1 | ROTOR,MAGNETO | | | |
| 19 | | 177202-12220 | 1 | PAWL ASSY, STARTER | | | |
| 20 | + | 177234-12220 | 2 | SPRING, PAWL | | | |
| 21 | + | 177218-44330 | 2 | PAWL, STARTER | BLACK | | |
| 22 | | 177200-42033 | 1 | STARTER ASSY | | Sus. by A051-000960 | |
| 22 | | A051-000960 | 1 | STARTER,RECOIL ASY | | | |

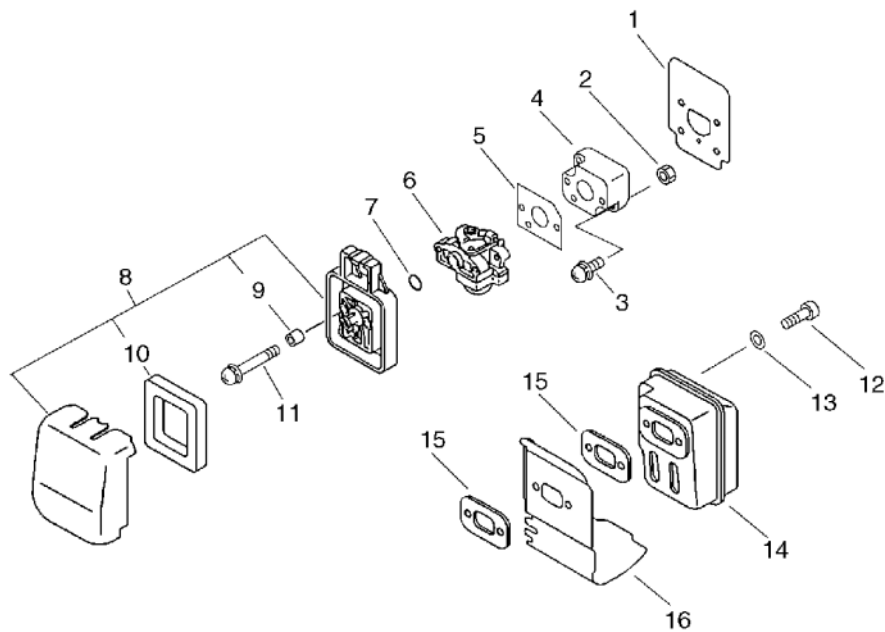
2. Starter, Magneto, Clutch



| KEY | LV | PART NUMBER | Q'TY | DESCRIPTION | REMARKS | NOTE1 | NOTE2 |
|-----|----|--------------|------|----------------|----------|-------|-------|
| 23 | + | 177236-44330 | 1 | SCREW | | | |
| 24 | + | 177215-44430 | 1 | DRUM, STARTER | | | |
| 25 | + | 177226-10120 | 1 | ROPE, STARTER | 3.0*1000 | | |
| 26 | + | 177227-42030 | 1 | GUIDE, ROPE | | | |
| 27 | + | 177228-06530 | 1 | GRIP, STARTER | | | |
| 28 | + | 177220-42030 | 1 | SPRING, REWIND | | | |
| 29 | | 900238-04016 | 2 | SCREW 4*16 | 4*16 | | |
| 30 | | 890118-49130 | 1 | LABEL, ECHO | | | |

3. Air Cleaner, Muffler

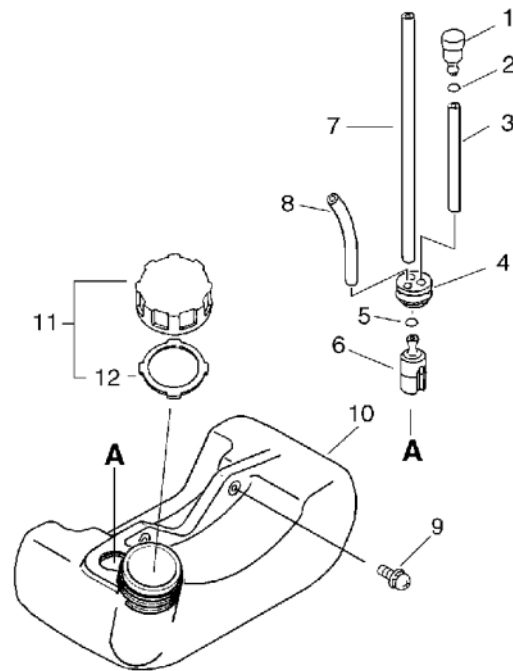
No.3



| KEY | LV | PART NUMBER | Q'TY | DESCRIPTION | REMARKS | NOTE1 | NOTE2 |
|-----|----|--------------|------|----------------------|---------|-------|-------|
| 1 | | V103-000240 | 1 | GASKET,INTAKE | | | |
| 2 | | 900500-00005 | 2 | NUT 5 | 5 | | |
| 3 | | 900238-05020 | 2 | SCREW 5*20 | 5*20 | | |
| 4 | | 130017-44330 | 1 | INSULATOR | | | |
| 5 | | V103-000250 | 1 | GASKET,INTAKE | | | |
| 6 | | A021-000550 | 1 | CARBURETOR,DIAPHRAGM | WYL-170 | | |
| 7 | | 900720-00015 | 1 | O-RING 15 | P-15 | | |
| 8 | | A027-000010 | 1 | CLEANER,ASM AIR | | | |
| 9 | + | 130327-44330 | 2 | SLEEVE | | | |
| 10 | + | 130310-44330 | 1 | FILTER, AIR | | | |
| 11 | | 900242-05064 | 2 | SCREW 5*64 | 5*64 | | |
| 12 | | 900105-05055 | 2 | BOLT, H.S. 5*55 | 5*55 | | |
| 13 | | 900600-00005 | 2 | WASHER 5 | 5 | | |
| 14 | | A300-000350 | 1 | MUFFLER,EXHAUST | | | |
| 15 | | V104-000160 | 2 | GASKET,EXHAUST | | | |
| 16 | | A320-000251 | 1 | COVER,MUFFLER | | | |

4. Fuel Tank

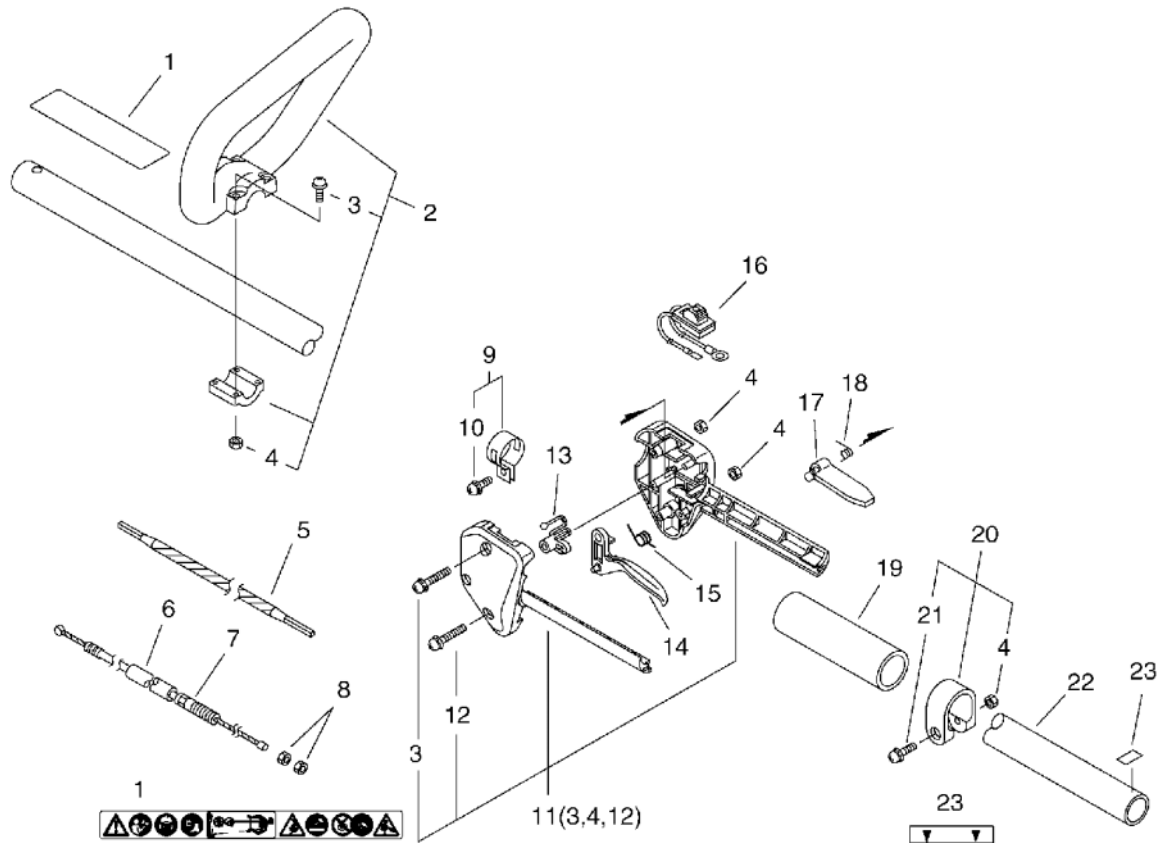
No.4



| KEY | LV | PART NUMBER | Q'TY | DESCRIPTION | REMARKS | NOTE1 | NOTE2 |
|-----|----|--------------|------|---------------------|-------------|-------|-------|
| 1 | | 131300-56430 | 1 | VALVE, CHECK | | | |
| 2 | | 130111-00530 | 1 | CLIP | 5.5 | | |
| 3 | | V471-001200 | 1 | PIPE | 3*5*70 NBR | | |
| 4 | | 132115-46730 | 1 | GROMMET, FUEL | | | |
| 5 | | 132013-09820 | 1 | CLIP | 6MM | | |
| 6 | | 131205-07320 | 1 | STRAINER, FUEL | | | |
| 7 | | V471-001190 | 1 | PIPE | 3*5*180 NBR | | |
| 8 | | 132717-50430 | 1 | PIPE 3* 6* 70 | 3*6*70 YL | | |
| 9 | | 900243-05016 | 2 | SCREW 5*16 | 5*16 | | |
| 10 | | A350-000031 | 1 | TANK,FUEL | | | |
| 11 | | 131004-55830 | 1 | CAP ASSY, FUEL TANK | | | |
| 12 | + | 131016-55830 | 1 | GASKET, FUEL CAP | | | |

5. Handle

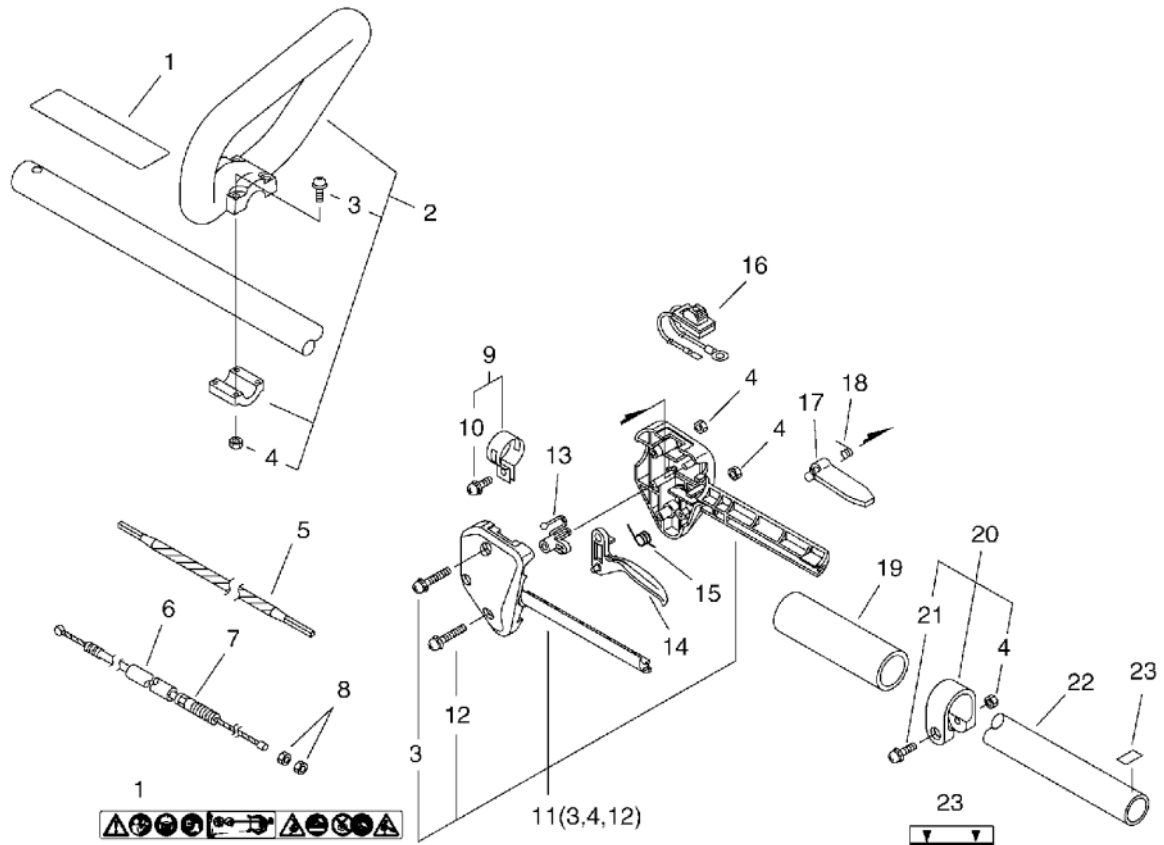
No.5



| KEY | LV | PART NUMBER | Q'TY | DESCRIPTION | REMARKS | NOTE1 | NOTE2 |
|-----|----|--------------|------|----------------------|------------|---------------------|-------|
| 1 | | 890617-43130 | 1 | LABEL,CAUTION | | | |
| 2 | | 351201-40830 | 1 | HANDLE ASSY, LOOP | | | |
| 3 | + | 900242-05035 | 4 | SCREW 5*35 | 5*35 | | |
| 4 | + | 900500-00005 | 4 | NUT 5 | 5 | | |
| 5 | | 610013-44730 | 1 | SHAFT, FLEXIBLE | | | |
| 6 | | 178127-24430 | 1 | TUBE | 10*11*180L | | |
| 7 | | V430-001520 | 1 | CABLE,BOWDEN | | | |
| 8 | | 900502-00006 | 2 | NUT 6 (3N) | 3N6 | | |
| 9 | | 301200-29430 | 1 | BAND ASSY | | | |
| 10 | + | 900242-05014 | 1 | SCREW 5*14 | 5*14 | | |
| 11 | | 178003-52130 | 1 | BRACKET SET,THROTTLE | | | |
| 3 | + | 900242-05035 | 1 | SCREW 5*35 | 5*35 | | |
| 4 | + | 900500-00005 | 2 | NUT 5 | 5 | | |
| 12 | + | 900242-05025 | 1 | SCREW 5*25 | 5*25 | | |
| 13 | | 178012-52630 | 1 | LOCKOUT, THROTTLE | | | |
| 14 | | 178010-52130 | 1 | CONTROL, THROTTLE | | | |
| 15 | | 178043-42230 | 1 | SPRING, THR. RETURN | | | |
| 16 | | A440-000651 | 1 | SWITCH, ON OFF | | | |
| 17 | | 178090-52632 | 1 | LOCKOUT, T. CONTROL | | | |
| 18 | | 178013-52630 | 1 | SPRING, THR. LOCK | | | |
| 19 | | 351213-52130 | 1 | GRIP | | Sus. by C403-000140 | |
| 19 | | C403-000140 | 1 | GRIP, HANDLE | L129.5*28 | | |
| 20 | | 610272-52130 | 1 | BAND | | | |
| 4 | + | 900500-00005 | 1 | NUT 5 | 5 | | |
| 21 | + | 900242-05028 | 1 | SCREW 5*28 | 5*28 | | |

5. Handle

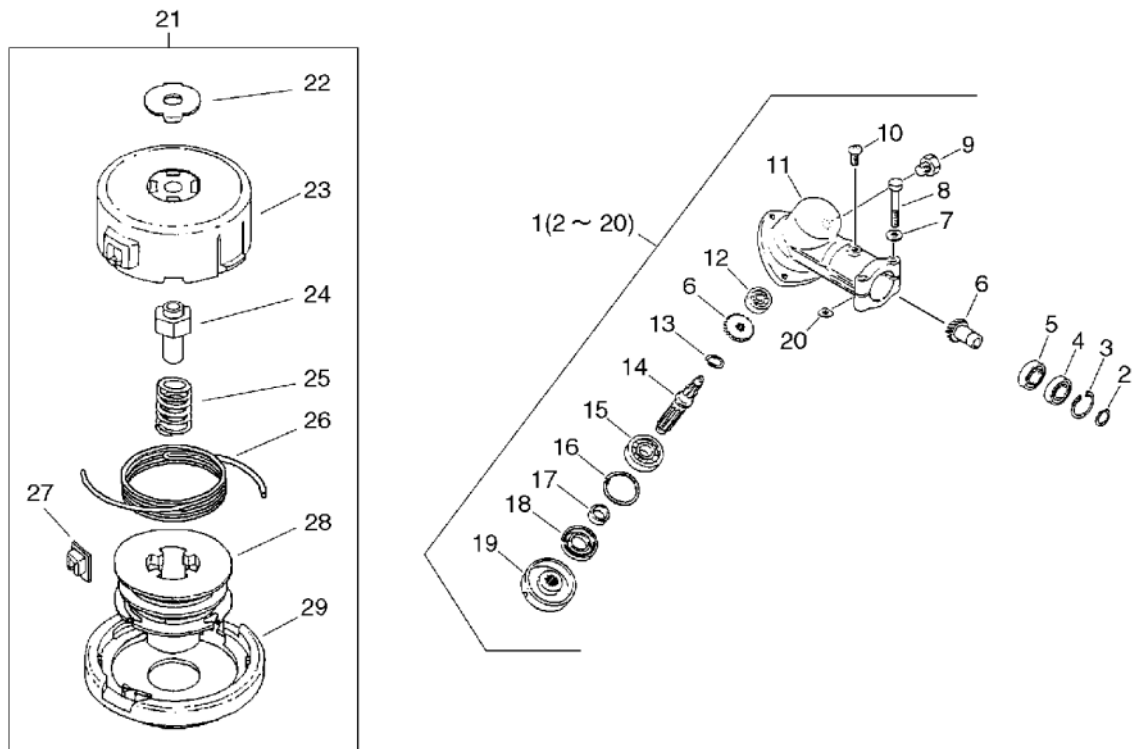
No.5



| KEY | LV | PART NUMBER | Q'TY | DESCRIPTION | REMARKS | NOTE1 | NOTE2 |
|-----|----|--------------|------|----------------------|---------|-------|-------|
| 22 | | 610206-44730 | 1 | HOUSING ASSY, D.SHFT | | | |
| 23 | | 890152-04930 | 1 | LABEL, CAUTION | | | |

6. Gear Case, Nylon Line Cutting Head

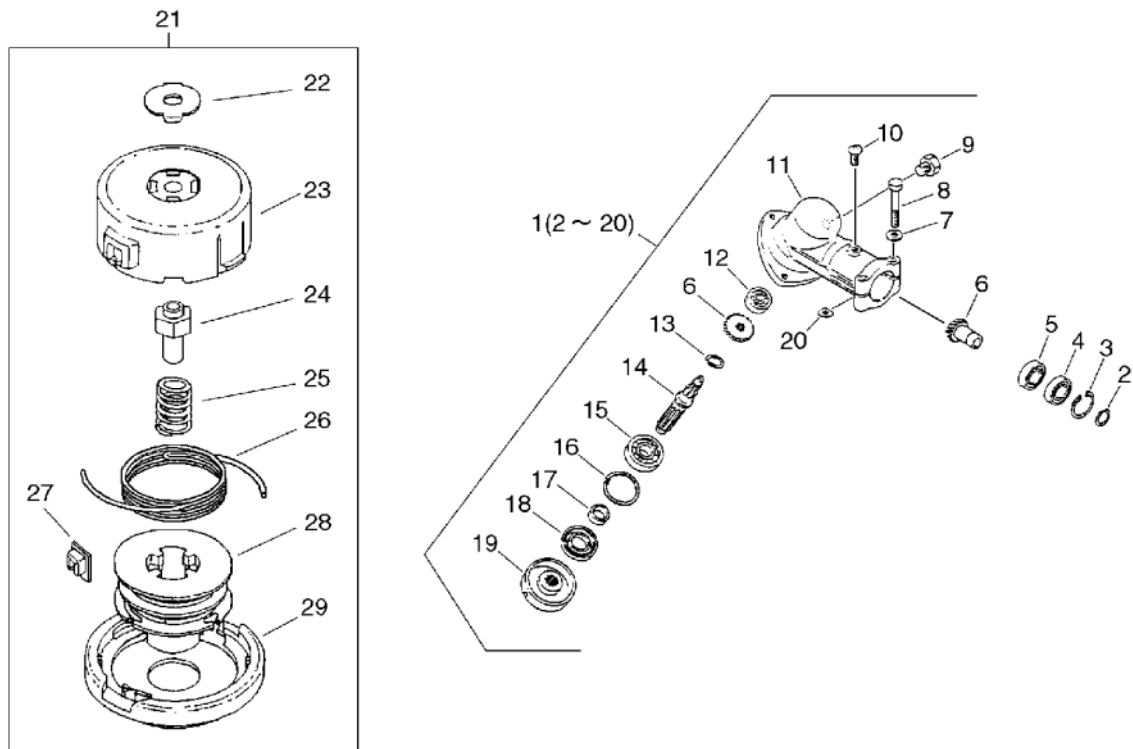
No.6



| KEY | LV | PART NUMBER | Q'TY | DESCRIPTION | REMARKS | NOTE1 | NOTE2 |
|-----|----|--------------|------|---------------------|-------------|----------------------|-------|
| 1 | | P021-009540 | 1 | CASE ASY, GEAR | | | |
| 2 | + | 900706-00012 | 1 | CIRCLIP 12 | WR-12 | | |
| 3 | + | 900702-00022 | 1 | CIRCLIP 22 | CR-22 | | |
| 4 | + | 900858-06900 | 1 | BEARING, BALL 6900Z | 6900Z | | |
| 5 | + | 900855-06900 | 1 | BEARING, BALL 6900 | 6900 | | |
| 6 | + | 610300-44830 | 1 | GEAR SET | | | |
| 7 | + | 900600-00005 | 2 | WASHER 5 | 5 | | |
| 8 | + | 900100-05035 | 2 | BOLT 5*35 | 5*35 | | |
| 9 | + | 610434-50031 | 1 | BOLT 8*8 | M8*8 | | |
| 10 | + | 900242-05010 | 1 | SCREW 5*10 | 5*10 | | |
| 11 | + | 610460-27431 | 1 | HOUSING, GEAR | | | |
| 12 | + | 900800-00609 | 1 | BEARING, BALL 609 | 609 | | |
| 13 | + | 900706-00010 | 1 | CIRCLIP 10 | WR-10 | | |
| 14 | + | 610360-08931 | 1 | SHAFT, P.T.O. | | | |
| 15 | + | 900810-06201 | 1 | BEARING, BALL 6201 | 6201 | | |
| 16 | + | 900702-00032 | 1 | CIRCLIP 32 | CR-32 | | |
| 17 | + | 610315-07130 | 1 | SPACER | | | |
| 18 | + | 610413-07130 | 1 | OILSEAL | | | |
| 19 | + | 610313-07131 | 1 | PLATE, ADAPTER (U) | PD 25.4 | Sus. by 610313-07132 | |
| 19 | + | 610313-07132 | 1 | PLATE, ADAPTER (U) | | | |
| 20 | + | 610239-04130 | 2 | WASHER, SHIM | | | |
| 21 | | X047-000370 | 1 | CUTTER,ASM LINE | B4-L | | |
| 22 | + | P022-000670 | 1 | TOP PLATE | T4 | | |
| 23 | + | P022-010710 | 1 | HOUSING | | | |
| 24 | + | P022-000680 | 1 | NUT | M10*1.25 T4 | | |

6. Gear Case, Nylon Line Cutting Head

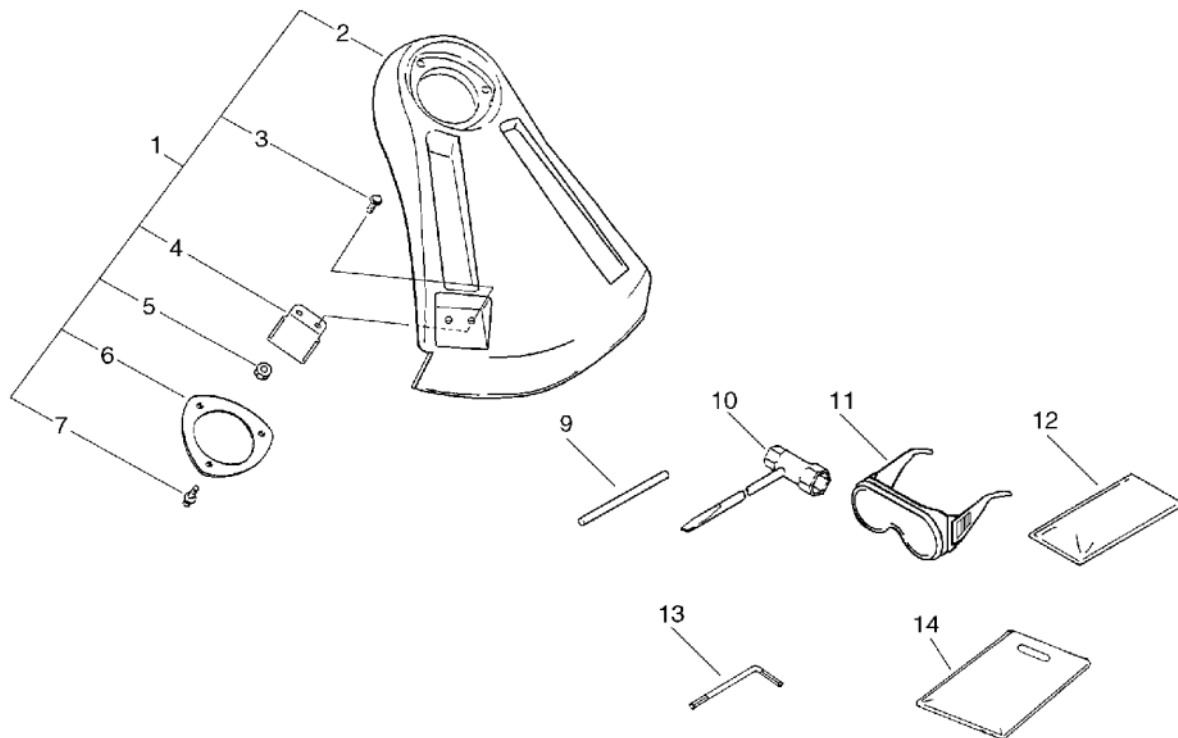
No.6



| KEY | LV | PART NUMBER | Q'TY | DESCRIPTION | REMARKS | NOTE1 | NOTE2 |
|-----|----|-------------|------|-------------|---------|-------|-------|
| 25 | + | P022-000720 | 1 | SPRING | T4 | | |
| 26 | + | P022-006190 | 1 | NYLON CODE | 3.0*2M | | |
| 27 | + | P022-000710 | 2 | EYELET | T4 | | |
| 28 | + | P022-000700 | 1 | BOBBIN | T4 | | |
| 29 | + | P022-010720 | 1 | COVER | | | |

7. Shield, Tools

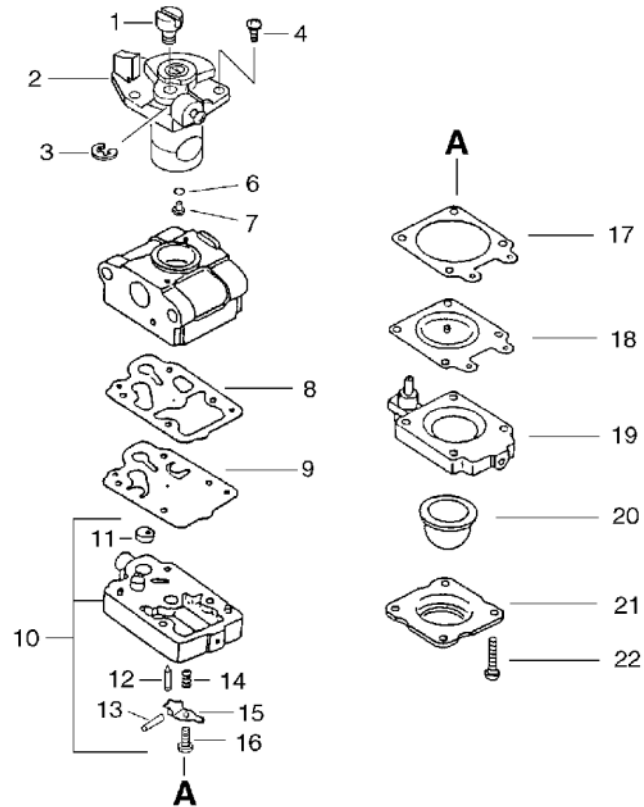
No.7



| KEY | LV | PART NUMBER | Q'TY | DESCRIPTION | REMARKS | NOTE1 | NOTE2 |
|-----|----|--------------|------|---------------------|---------|---------------------|-------|
| 1 | | P021-009530 | 1 | SHIELD KIT | | Sus. by P021-009531 | |
| 1 | | P021-009531 | 1 | SHIELD KIT | | | |
| 2 | + | C550-000031 | 1 | SHIELD, BLADE | | | |
| 3 | + | 900238-05012 | 2 | SCREW 5*12 | 5*12 | | |
| 4 | + | C554-000020 | 1 | KNIFE, CORD | | Sus. by C554-000021 | |
| 4 | + | C554-000021 | 1 | KNIFE, CORD | | | |
| 5 | + | 900500-00005 | 2 | NUT 5 | 5 | | |
| 6 | + | C552-000110 | 1 | PLATE, SHIELD | | | |
| 7 | + | 900238-05016 | 3 | SCREW 5*16 | 5*16 | | |
| 9 | | 897518-01131 | 1 | LOCKING TOOL | | | |
| 10 | | 895410-02830 | 1 | WRENCH, W/S. DRIVER | | | |
| 11 | | X690-000030 | 1 | GOGGLE | | | |
| 12 | | 898510-07130 | 1 | BAG, TOOL | | | |
| 13 | | 895610-00130 | 1 | L-WRENCH (4MM) | | | |
| 14 | | X698-000040 | 1 | TOOL CASE | 400*500 | | |

8. Carburetor

No.8



| KEY | LV | PART NUMBER | Q'TY | DESCRIPTION | REMARKS | NOTE1 | NOTE2 |
|-----|----|--------------|------|----------------------|---------|-------|-------|
| | | A021-000550 | 1 | CARBURETOR,DIAPHRAGM | WYL-170 | | |
| 1 | + | 123172-45130 | 1 | SWIVEL | | | |
| 2 | + | P003-000840 | 1 | VALVE ASY THROTTLE | | | |
| 3 | + | 123173-07930 | 1 | CLIP | | | |
| 4 | + | 123114-44330 | 2 | SCREW | | | |
| 6 | + | 123183-40630 | 1 | O-RING | | | |
| 7 | + | 123184-44330 | 1 | JET #37 | #37 | | |
| 8 | + | 123125-40630 | 1 | GASKET, PUMP | | | |
| 9 | + | 123112-40630 | 1 | DIAPHRAGM, PUMP | | | |
| 10 | + | 123179-05560 | 1 | BODY ASSY, PUMP | | | |
| 11 | ++ | 123126-10631 | 1 | SCREEN, INLET | | | |
| 12 | ++ | 123137-19830 | 1 | VALVE, INLET NEEDLE | | | |
| 13 | ++ | 123138-03930 | 1 | PIN, METERING LEVER | | | |
| 14 | ++ | 123122-05560 | 1 | SPRING, METER. LEVER | | | |
| 15 | ++ | 123123-03930 | 1 | LEVER, METERING | | | |
| 16 | ++ | 123139-05560 | 1 | SCREW, M. LEVER PIN | | | |
| 17 | + | 123140-05560 | 1 | GASKET, M. DIAPHRAGM | | | |
| 18 | + | P003-000090 | 1 | METERING, DIAPHRAGM | | | |
| 19 | + | 123180-05560 | 1 | BODY, AIR PURGE | | | |
| 20 | + | 123181-40630 | 1 | PUMP, PRIMER | | | |
| 21 | + | 123142-05560 | 1 | COVER, PRIMER PUMP | | | |
| 22 | + | 123110-05560 | 4 | SCREW, PUMP COVER | | | |

Index

| Patrs Number | Key No. | Patrs Number | Key No. | Patrs Number | Key No. |
|---------------------|----------------|---------------------|----------------|---------------------|----------------|
| 100013-11520 | 1 - 6 | 177215-44430 | 2 - 24 | 900238-05020 | 3 - 3 |
| 100014-11520 | 1 - 8 | 177218-44330 | 2 - 21 | 900242-05010 | 6 - 10 |
| 100015-04630 | 1 - 7 | 177220-42030 | 2 - 28 | 900242-05014 | 5 - 10 |
| 100204-52132 | 1 - 9 | 177226-10120 | 2 - 25 | 900242-05025 | 5 - 12 |
| 100212-42031 | 1 - 10 | 177227-42030 | 2 - 26 | 900242-05028 | 5 - 21 |
| 100215-03930 | 1 - 11 | 177228-06530 | 2 - 27 | 900242-05035 | 5 - 3 |
| 100242-42030 | 1 - 13 | 177234-12220 | 2 - 20 | 900242-05035 | 5 - 3 |
| 101010-44332 | 1 - 3 | 177236-44330 | 2 - 23 | 900242-05064 | 3 - 11 |
| 123110-05560 | 8 - 22 | 178003-52130 | 5 - 11 | 900243-05016 | 4 - 9 |
| 123112-40630 | 8 - 9 | 178010-52130 | 5 - 14 | 900253-05020 | 1 - 21 |
| 123114-44330 | 8 - 4 | 178012-52630 | 5 - 13 | 900500-00005 | 3 - 2 |
| 123122-05560 | 8 - 14 | 178013-52630 | 5 - 18 | 900500-00005 | 5 - 4 |
| 123123-03930 | 8 - 15 | 178043-42230 | 5 - 15 | 900500-00005 | 5 - 4 |
| 123125-40630 | 8 - 8 | 178090-52632 | 5 - 17 | 900500-00005 | 5 - 4 |
| 123126-10631 | 8 - 11 | 178127-24430 | 5 - 6 | 900500-00005 | 7 - 5 |
| 123137-19830 | 8 - 12 | 301200-29430 | 5 - 9 | 900502-00006 | 5 - 8 |
| 123138-03930 | 8 - 13 | 351201-40830 | 5 - 2 | 900600-00005 | 3 - 13 |
| 123139-05560 | 8 - 16 | 351213-52130 | 5 - 19 | 900600-00005 | 6 - 7 |
| 123140-05560 | 8 - 17 | 610013-44730 | 5 - 5 | 900702-00022 | 6 - 3 |
| 123142-05560 | 8 - 21 | 610206-44730 | 5 - 22 | 900702-00032 | 6 - 16 |
| 123172-45130 | 8 - 1 | 610239-04130 | 6 - 20 | 900706-00010 | 6 - 13 |
| 123173-07930 | 8 - 3 | 610272-52130 | 5 - 20 | 900706-00012 | 6 - 2 |
| 123179-05560 | 8 - 10 | 610300-44830 | 6 - 6 | 900720-00015 | 3 - 7 |
| 123180-05560 | 8 - 19 | 610313-07131 | 6 - 19 | 900800-00609 | 6 - 12 |
| 123181-40630 | 8 - 20 | 610313-07132 | 6 - 19 | 900810-06201 | 6 - 15 |
| 123183-40630 | 8 - 6 | 610315-07130 | 6 - 17 | 900855-06900 | 6 - 5 |
| 123184-44330 | 8 - 7 | 610360-08931 | 6 - 14 | 900858-06900 | 6 - 4 |
| 130017-44330 | 3 - 4 | 610413-07130 | 6 - 18 | 91363-04016 | 2 - 14 |
| 130111-00530 | 4 - 2 | 610434-50031 | 6 - 9 | 94035-36201 | 1 - 12 |
| 130310-44330 | 3 - 10 | 610460-27431 | 6 - 11 | A011-000001 | 1 - 15 |
| 130327-44330 | 3 - 9 | 610922-55931 | 2 - 10 | A011-000002 | 1 - 15 |
| 131004-55830 | 4 - 11 | 660316-55630 | 2 - 8 | A021-000550 | 3 - 6 |
| 131016-55830 | 4 - 12 | 890118-49130 | 2 - 30 | A021-000550 | 8 - |
| 131205-07320 | 4 - 6 | 890152-04930 | 5 - 23 | A027-000010 | 3 - 8 |
| 131300-56430 | 4 - 1 | 890617-43130 | 5 - 1 | A051-000960 | 2 - 22 |
| 132013-09820 | 4 - 5 | 895410-02830 | 7 - 10 | A101-000000 | 1 - 5 |
| 132115-46730 | 4 - 4 | 895610-00130 | 7 - 13 | A130-000011 | 1 - 1 |
| 132717-50430 | 4 - 8 | 897518-01131 | 7 - 9 | A160-000630 | 1 - 19 |
| 156112-40630 | 2 - 4 | 898510-07130 | 7 - 12 | A162-000060 | 1 - 22 |
| 156601-52130 | 2 - 5 | 900100-05035 | 6 - 8 | A172-000340 | 2 - 13 |
| 159010-10230 | 2 - 1 | 900105-05055 | 3 - 12 | A300-000350 | 3 - 14 |
| 159011-03432 | 2 - 2 | 900162-04022 | 2 - 6 | A320-000251 | 3 - 16 |
| 159012-03433 | 2 - 3 | 900162-05022 | 1 - 2 | A350-000031 | 4 - 10 |
| 162010-52830 | 2 - 7 | 900162-05028 | 1 - 14 | A409-000000 | 2 - 18 |
| 175000-56830 | 2 - 17 | 900162-05028 | 2 - 11 | A440-000651 | 5 - 16 |
| 175005-44331 | 2 - 16 | 900238-04016 | 1 - 20 | C403-000140 | 5 - 19 |
| 175313-20430 | 2 - 15 | 900238-04016 | 2 - 29 | C550-000031 | 7 - 2 |
| 177200-42033 | 2 - 22 | 900238-05012 | 7 - 3 | C552-000110 | 7 - 6 |
| 177202-12220 | 2 - 19 | 900238-05016 | 7 - 7 | C554-000020 | 7 - 4 |

Index

| Patrs Number | Key No. | Patrs Number | Key No. | Patrs Number | Key No. |
|---------------------|----------------|---------------------|----------------|---------------------|----------------|
| C554-000021 | 7 - 4 | | | | |
| P003-000090 | 8 - 18 | | | | |
| P003-000840 | 8 - 2 | | | | |
| P021-001101 | 1 - 4 | | | | |
| P021-001102 | 1 - 4 | | | | |
| P021-009530 | 7 - 1 | | | | |
| P021-009531 | 7 - 1 | | | | |
| P021-009540 | 6 - 1 | | | | |
| P022-000670 | 6 - 22 | | | | |
| P022-000680 | 6 - 24 | | | | |
| P022-000700 | 6 - 28 | | | | |
| P022-000710 | 6 - 27 | | | | |
| P022-000720 | 6 - 25 | | | | |
| P022-006190 | 6 - 26 | | | | |
| P022-010710 | 6 - 23 | | | | |
| P022-010720 | 6 - 29 | | | | |
| V103-000240 | 3 - 1 | | | | |
| V103-000250 | 3 - 5 | | | | |
| V104-000160 | 3 - 15 | | | | |
| V306-000150 | 1 - 8 | | | | |
| V315-000030 | 2 - 9 | | | | |
| V430-001520 | 5 - 7 | | | | |
| V471-001190 | 4 - 7 | | | | |
| V471-001200 | 4 - 3 | | | | |
| V553-000010 | 1 - 16 | | | | |
| X047-000370 | 6 - 21 | | | | |
| X547-000080 | 2 - 12 | | | | |
| X690-000030 | 7 - 11 | | | | |
| X698-000040 | 7 - 14 | | | | |

YAMABIKO CORPORATION

7-2 SUEHIROCHO 1-CHOME, OHME, TOKYO 198-8760, JAPAN
PHONE: 81-428-32-6118. FAX: 81-428-32-6145.



-22G
No.