



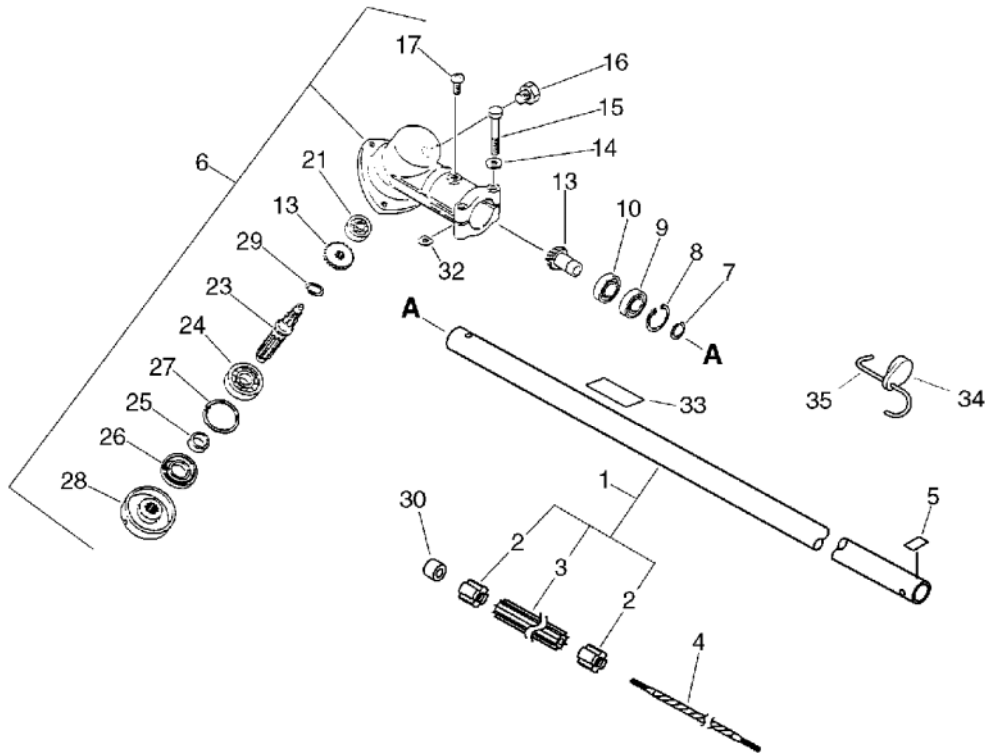
PARTS CATALOGUE

PAS ATTACHMENT SBSRM-SRM(PAS-Trimmer)

- **35003752**

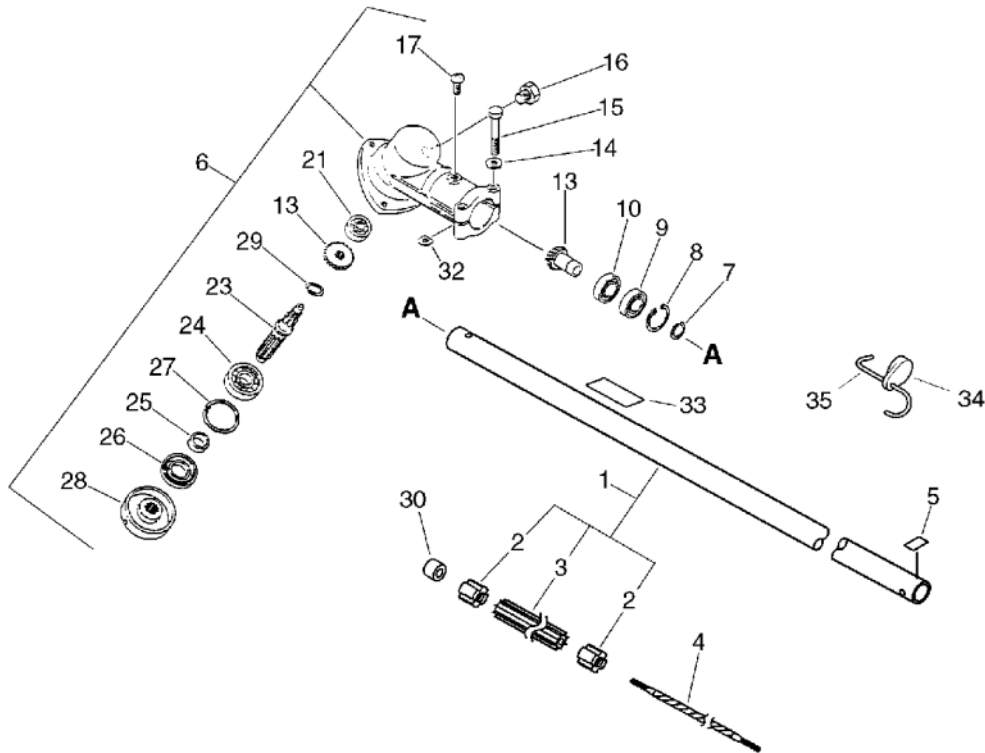
SBSRM-SRM(PAS-Trimmer)

1. Gear Case(Sr/Nr 35002301 and before)



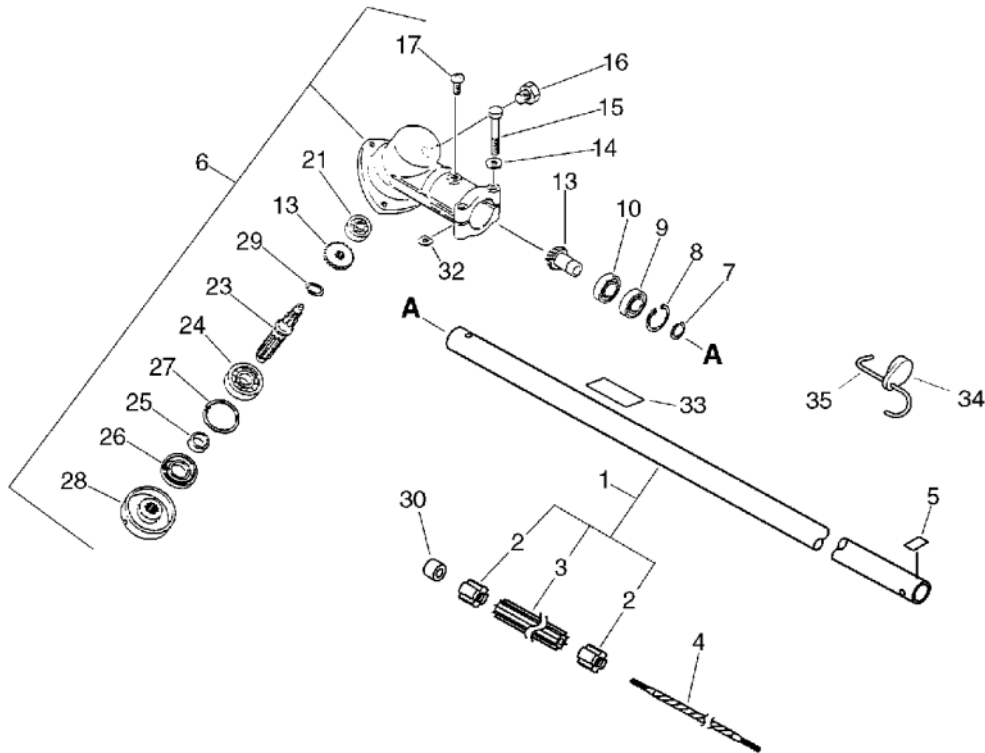
KEY	LV	PART NUMBER	Q'TY	DESCRIPTION	REMARKS	NOTE1	NOTE2
1		610206-54130	1	HOUSING ASSY, D.SHFT		Sus. by C050-000200	
1		C050-000200	1	PIPE,MAIN			
2	+	610246-44730	2	STOPPER			
3	+	610217-52630	1	LINER, FLEXIBLE			
4		610013-56730	1	SHAFT, FLEXIBLE		Sus. by C506-000001	
4		C506-000000	1	SHAFT,FLEXIBLE		Sus. by C506-000001	
4		C506-000001	1	SHAFT,FLEXIBLE		Sus. by C506-000002	
5		890152-04930	1	LABEL, CAUTION			
6		610402-47731	1	HOUSING ASSY, GEAR		Sus. by 610402-47732	
6		610402-47732	1	CASE ASY, GEAR			
7	+	900706-00012	1	CIRCLIP 12	WR-12		
8	+	900702-00022	1	CIRCLIP 22	CR-22		
9	+	900858-06900	1	BEARING, BALL 6900Z	6900Z		
10	+	900855-06900	1	BEARING, BALL 6900	6900		
13	+	610300-44830	1	GEAR SET			
14	+	900600-00005	2	WASHER 5	5		
15	+	900100-05035	2	BOLT 5*35	5*35		
16	+	610434-50030	1	BOLT 8* 6		Sus. by 610434-50031	
16	+	610434-50031	1	BOLT 8* 8	M8*8		
17	+	900242-05010	1	SCREW 5*10	5*10		

1. Gear Case(Sr/Nr 35002301 and before)



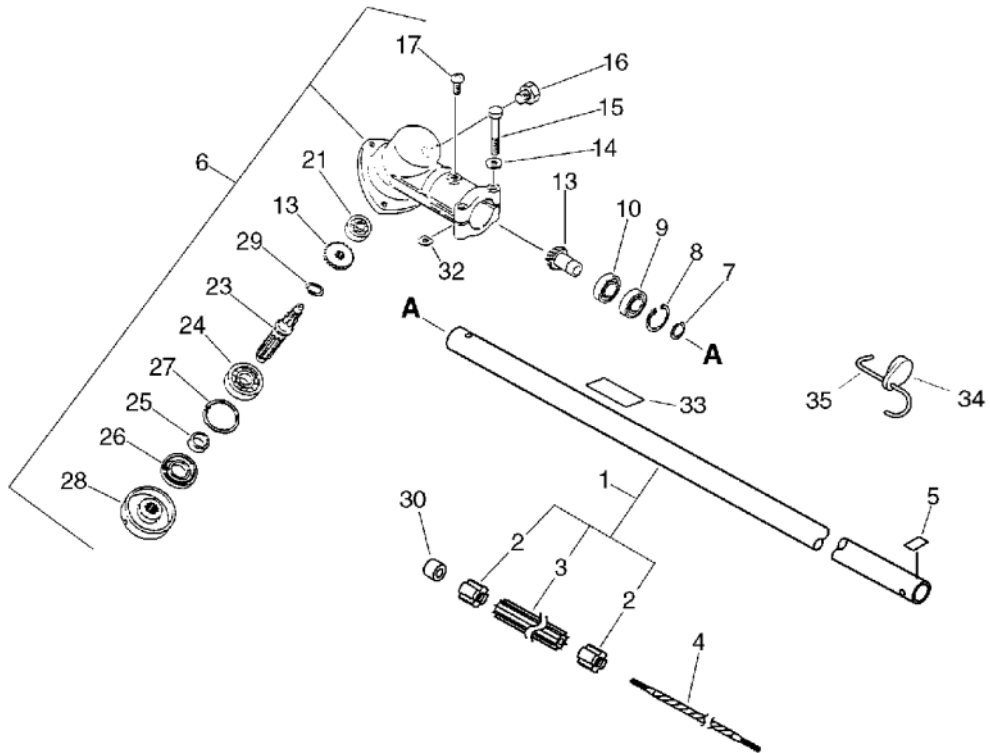
KEY	LV	PART NUMBER	Q'TY	DESCRIPTION	REMARKS	NOTE1	NOTE2
21	+	900800-00609	1	BEARING, BALL 609	609		
23	+	610360-08931	1	SHAFT, P.T.O.			
24	+	900810-06201	1	BEARING, BALL 6201	6201		
25	+	610315-07130	1	SPACER			
26	+	610413-07130	1	OILSEAL			
27	+	900702-00032	1	CIRCLIP 32	CR-32		
28	+	610313-47731	1	PLATE, ADAPTER (U)			
29	+	900706-00010	1	CIRCLIP 10	WR-10		
32	+	610239-04130	2	WASHER, SHIM			
30		104910-56630	1	CUSHION		Can be used on the 610013-56730 only	
33		X505-000140	1	LABEL,CAUTION			

2. Gear Case(Sr/Nr 35002302 and after)



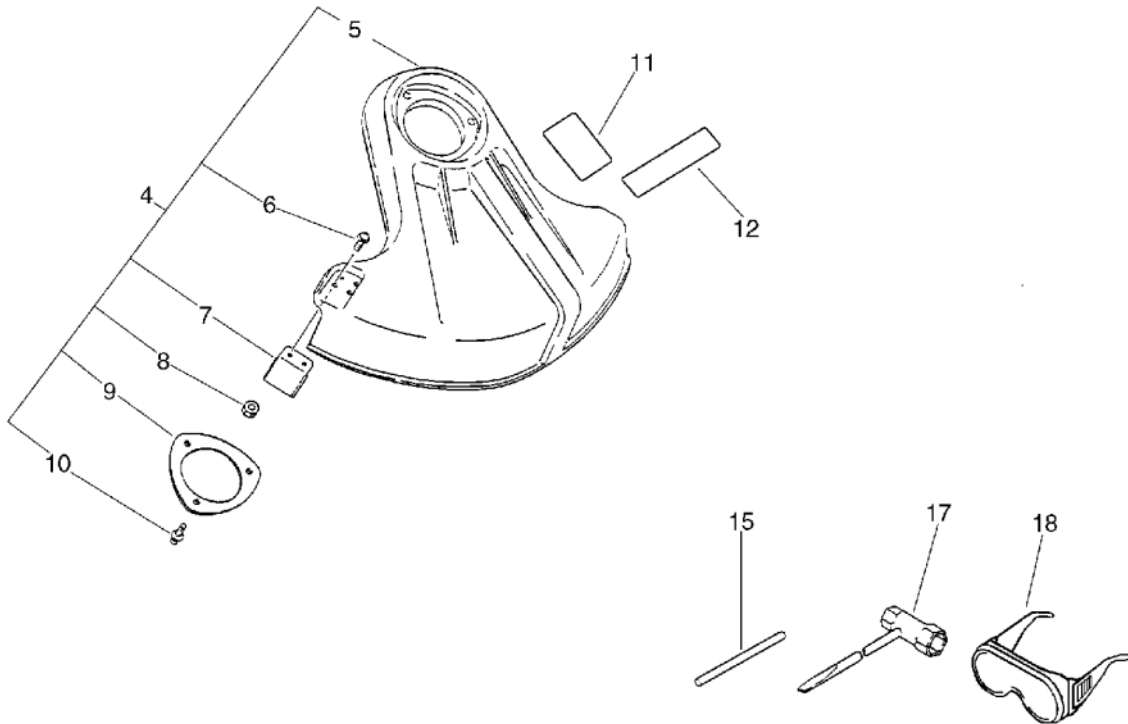
KEY	LV	PART NUMBER	Q'TY	DESCRIPTION	REMARKS	NOTE1	NOTE2
1		C050-000200	1	PIPE,MAIN			
2	+	610246-44730	2	STOPPER			
3	+	610217-52630	1	LINER, FLEXIBLE			
4		C506-000002	1	SHAFT,FLEXIBLE			
6		610402-47732	1	CASE ASY, GEAR			
7	+	900706-00012	1	CIRCLIP 12	WR-12		
8	+	900702-00022	1	CIRCLIP 22	CR-22		
9	+	900858-06900	1	BEARING, BALL 6900Z	6900Z		
10	+	900855-06900	1	BEARING, BALL 6900	6900		
13	+	610300-44830	1	GEAR SET			
14	+	900600-00005	2	WASHER 5	5		
15	+	900100-05035	2	BOLT 5*35	5*35		
16	+	610434-50031	1	BOLT 8* 8	M8*8		
17	+	900242-05010	1	SCREW 5*10	5*10		
20	+	610460-27431	1	HOUSING, GEAR			
21	+	900800-00609	1	BEARING, BALL 609	609		
23	+	610360-08931	1	SHAFT, P.T.O.			
24	+	900810-06201	1	BEARING, BALL 6201	6201		
25	+	610315-07130	1	SPACER			
26	+	610413-07130	1	OILSEAL			
27	+	900702-00032	1	CIRCLIP 32	CR-32		
28	+	610313-47731	1	PLATE, ADAPTER (U)			
29	+	900706-00010	1	CIRCLIP 10	WR-10		
32	+	610239-04130	2	WASHER, SHIM			
33		890617-63630	1	LABEL,CAUTION			

2. Gear Case(Sr/Nr 35002302 and after)



KEY	LV	PART NUMBER	Q'TY	DESCRIPTION	REMARKS	NOTE1	NOTE2
34		C525-000010	1	CAP,MAIN PIPE	25MM PIPE	Sr/Nr 35002302 and after	
35		C649-000120	1	HOOK		Sr/Nr 35002302 and after	

3. Shield, Tools



KEY	LV	PART NUMBER	Q'TY	DESCRIPTION	REMARKS	NOTE1	NOTE2
4		699000-40931	1	SHIELD ASSY			
5	+	699010-27231	1	SHIELD, BLADE			
6	+	900238-05016	2	SCREW 5*16	5*16		
7	+	699016-44330	1	CUTTER			
8	+	900500-00005	2	NUT 5	5		
9	+	699018-40830	1	BRACKET, SHIELD		Sus. by C552-000110	
9	+	C552-000110	1	PLATE,SHIELD			
10	+	900238-05016	3	SCREW 5*16	5*16		
11		890186-23760	1	LABEL, CAUTION			
12		890118-48830	1	LABEL, ECHO		Sus. by X502-000320	
15		897518-01131	1	LOCKING TOOL			
17		895410-08030	1	WRENCH, W/S. DRIVER		Sus. by X602-000020	
17		X602-000020	1	TOOL,WRENCH	17*19 L200	Disuse	
18		899580-68730	1	SAFETY GLASSES			

Index

Patrs Number	Key No.	Patrs Number	Key No.	Patrs Number	Key No.
104910-56630	1 - 30	900702-00032	2 - 27		
610013-56730	1 - 4	900706-00010	1 - 29		
610206-54130	1 - 1	900706-00010	2 - 29		
610217-52630	1 - 3	900706-00012	1 - 7		
610217-52630	2 - 3	900706-00012	2 - 7		
610239-04130	1 - 32	900800-00609	1 - 21		
610239-04130	2 - 32	900800-00609	2 - 21		
610246-44730	1 - 2	900810-06201	1 - 24		
610246-44730	2 - 2	900810-06201	2 - 24		
610300-44830	1 - 13	900855-06900	1 - 10		
610300-44830	2 - 13	900855-06900	2 - 10		
610313-47731	1 - 28	900858-06900	1 - 9		
610313-47731	2 - 28	900858-06900	2 - 9		
610315-07130	1 - 25	C050-000200	1 - 1		
610315-07130	2 - 25	C050-000200	2 - 1		
610360-08931	1 - 23	C506-000000	1 - 4		
610360-08931	2 - 23	C506-000001	1 - 4		
610402-47731	1 - 6	C506-000002	2 - 4		
610402-47732	1 - 6	C525-000010	2 - 34		
610402-47732	2 - 6	C552-000110	3 - 9		
610413-07130	1 - 26	C649-000120	2 - 35		
610413-07130	2 - 26	X505-000140	1 - 33		
610434-50030	1 - 16	X602-000020	3 - 17		
610434-50031	1 - 16				
610434-50031	2 - 16				
610460-27431	2 - 20				
699000-40931	3 - 4				
699010-27231	3 - 5				
699016-44330	3 - 7				
699018-40830	3 - 9				
890118-48830	3 - 12				
890152-04930	1 - 5				
890186-23760	3 - 11				
890617-63630	2 - 33				
895410-08030	3 - 17				
897518-01131	3 - 15				
899580-68730	3 - 18				
900100-05035	1 - 15				
900100-05035	2 - 15				
900238-05016	3 - 6				
900238-05016	3 - 10				
900242-05010	1 - 17				
900242-05010	2 - 17				
900500-00005	3 - 8				
900600-00005	1 - 14				
900600-00005	2 - 14				
900702-00022	1 - 8				
900702-00022	2 - 8				
900702-00032	1 - 27				

YAMABIKO CORPORATION

7-2 SUEHIROCHO 1-CHOME, OHME, TOKYO 198-8760, JAPAN
PHONE: 81-428-32-6118. FAX: 81-428-32-6145.



mer)
No. 56-133