

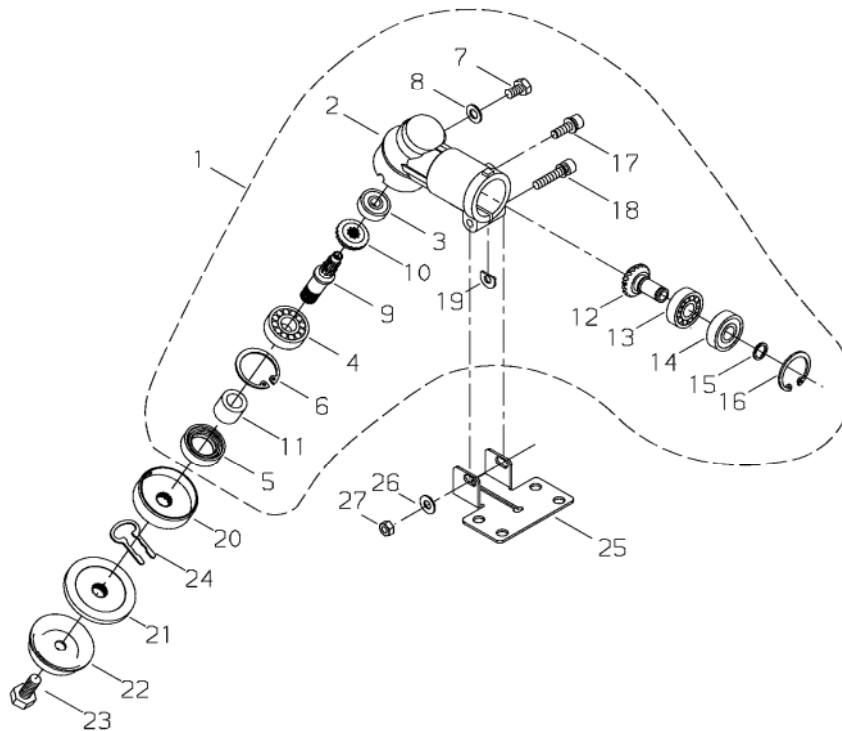
shindaiwa[®]

PARTS CATALOGUE

MULTI-TOOL SYSTEM

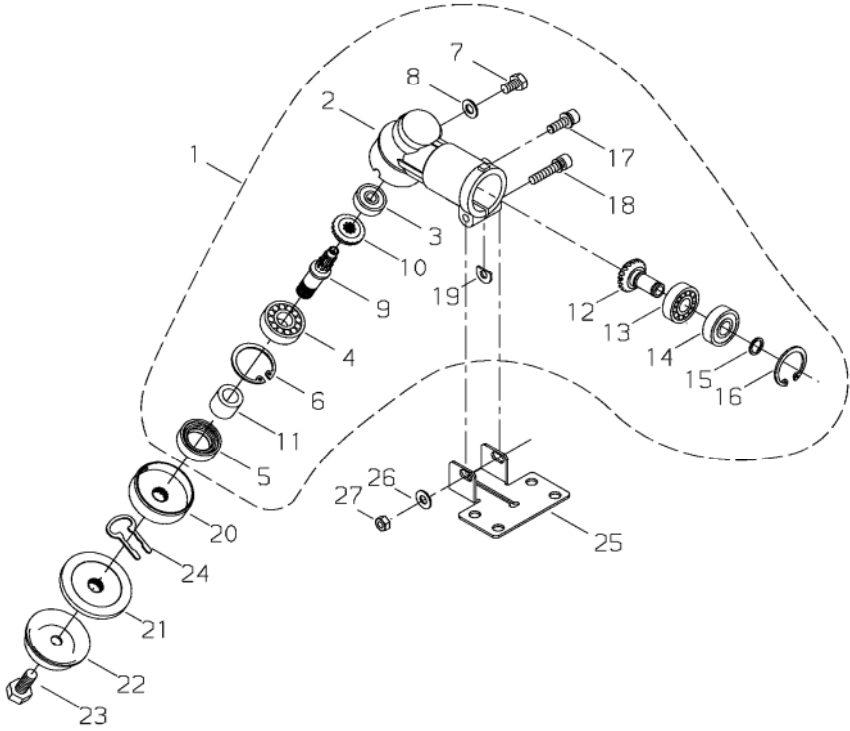
SBA-TX24 EU

1. GEAR CASE



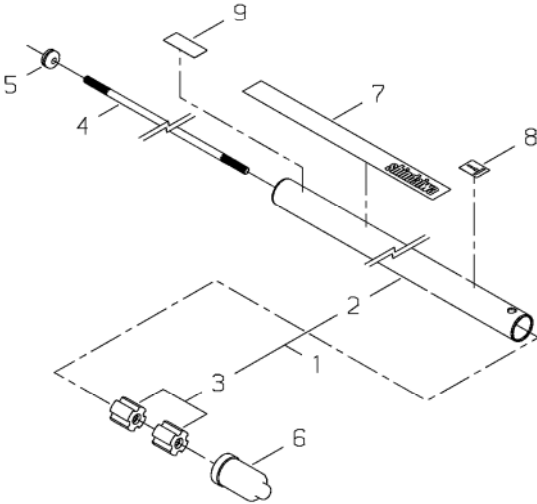
KEY	LV	PART NUMBER	Q'TY	DESCRIPTION	REMARKS	NOTE1	NOTE2
1		22410-13011	1	GEAR CASE SUB ASSY			
2	•	22035-13113	1	GEAR CASE			
3	•	02006-00626	1	BEARING		626DDU	
4	•	02000-06000	1	BEARING		6000	
5	•	22035-13140	1	OIL SEAL			
6	•	02432-26120	1	SNAP RING		φ26	
7	•	01014-06100	1	BOLT		M6x10	
8	•	22000-13410	1	GASKET			
9	•	22410-13210	1	GEAR SHAFT			
10	•	22035-13220	1	BEVEL GEAR			
11	•	22035-13230	1	COLLAR			
12	•	22035-13391	1	PINION SET			
13	•	02000-00608	1	BEARING		608	
14	•	02002-00608	1	BEARING	608ZZ	608ZZ	
15	•	22035-13340	1	SNAP RING			
16	•	02432-22100	1	SNAP RING		φ22	
17	•	11022-05160	1	BOLT SPW		M5x16	
18	•	11023-05250	1	BOLT SW		M5x25	
19	•	22000-13420	1	SHIM			
20		22035-13242	1	HOLDER A			
21		6501163170	1	HOLDER			
22		37013-63310	1	BOLT GUARD			
23		22035-13271	1	BOLT			
24		22410-13530	1	SLIDE CLIP			
25		72480-16130	1	LOWER CLAMP			
26		01613-05080	1	WASHER		MFZN3-C	

1. GEAR CASE



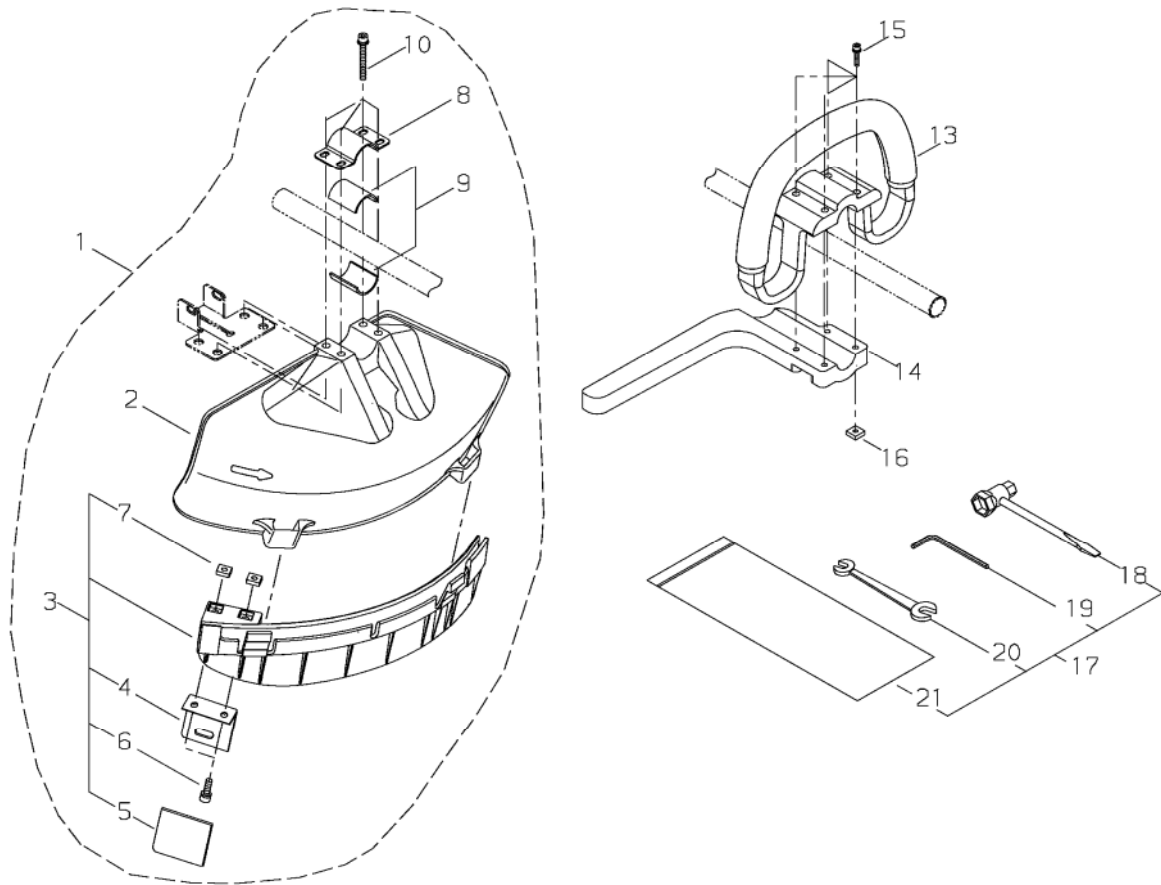
KEY	LV	PART NUMBER	Q'TY	DESCRIPTION	REMARKS	NOTE1	NOTE2
27		01500-05041	1	NUT	M5	M5 MFZN3-C	

2. OUTER PIPE



KEY	LV	PART NUMBER	Q'TY	DESCRIPTION	REMARKS	NOTE1	NOTE2
1		65001-62010	1	OUTER PIPE COMP			
2	▪	65001-62110	1	OUTER PIPE		φ24xL745	
3	▪	22035-12121	2	BUSH			
4		37000-62210	1	MAIN SHAFT		φ6xL767	
5		15250-10100	1	GROMMET			
6		20891-98180	1	LINER CAP			
7		19422-00010	1	LABEL CAUTION			
8		19401-00169	1	LABEL INST			
9		19402-00223	1	LABEL CAUTION			

3. GUARD, HANDLE, TOOL



KEY	LV	PART NUMBER	Q'TY	DESCRIPTION	REMARKS	NOTE1	NOTE2
1		62903-66322	1	GUARD SET			
2	▪	62903-66111	1	GUARD			
3	▪	62903-66332	1	SUB GUARD ASSY			
4	▪ ▪	72480-16121	1	CUTTER			
6	▪ ▪	11020-05160	2	BOLT SW			
7	▪ ▪	22420-16120	2	NUT			
8	▪	72480-16210	1	UPPER CLAMP			
9	▪	72480-16220	2	SPACER			
10	▪	11022-05450	4	BOLT SPW		M5x45 SPW	
13		62901-64113	1	HANDLE			
14		65011-64120	1	BARRIER			
15		11022-05350	4	BOLT SPW		M5x35	
16		22420-16120	4	NUT		M5	
17		22410-91000	1	TOOL SET			
18	▪	22000-91181	1	PLUG WRENCH		13x19	
19	▪	09026-04001	1	HEXA WRENCH	4MM M5㉿	4mm	
20	▪	22000-91120	1	SPANNER		8x10	
21	▪	19639-01400	1	BAG,PACKING	140*200*T0.08		

Index

Patrs Number	Key No.	Patrs Number	Key No.	Patrs Number	Key No.
01014-06100	1 - 7	65011-64120	3 - 14		
01500-05041	1 - 27	72480-16121	3 - 4		
01613-05080	1 - 26	72480-16130	1 - 25		
02000-00608	1 - 13	72480-16210	3 - 8		
02000-06000	1 - 4	72480-16220	3 - 9		
02002-00608	1 - 14				
02006-00626	1 - 3				
02432-22100	1 - 16				
02432-26120	1 - 6				
09026-04001	3 - 19				
11020-05160	3 - 6				
11022-05160	1 - 17				
11022-05350	3 - 15				
11022-05450	3 - 10				
11023-05250	1 - 18				
15250-10100	2 - 5				
19401-00169	2 - 8				
19402-00223	2 - 9				
19422-00010	2 - 7				
19639-01400	3 - 21				
20891-98180	2 - 6				
22000-13410	1 - 8				
22000-13420	1 - 19				
22000-91120	3 - 20				
22000-91181	3 - 18				
22035-12121	2 - 3				
22035-13113	1 - 2				
22035-13140	1 - 5				
22035-13220	1 - 10				
22035-13230	1 - 11				
22035-13242	1 - 20				
22035-13271	1 - 23				
22035-13340	1 - 15				
22035-13391	1 - 12				
22410-13011	1 - 1				
22410-13210	1 - 9				
22410-13530	1 - 24				
22410-91000	3 - 17				
22420-16120	3 - 7				
22420-16120	3 - 16				
37000-62210	2 - 4				
37013-63310	1 - 22				
62901-64113	3 - 13				
62903-66111	3 - 2				
62903-66322	3 - 1				
62903-66332	3 - 3				
65001-62010	2 - 1				
65001-62110	2 - 2				
6501163170	1 - 21				

YAMABIKO CORPORATION

7-2 SUEHIROCHO 1-CHOME, OHME, TOKYO 198-8760, JAPAN
PHONE: 81-428-32-6118. FAX: 81-428-32-6145.

shindaiwa[®]

4 EU
No.