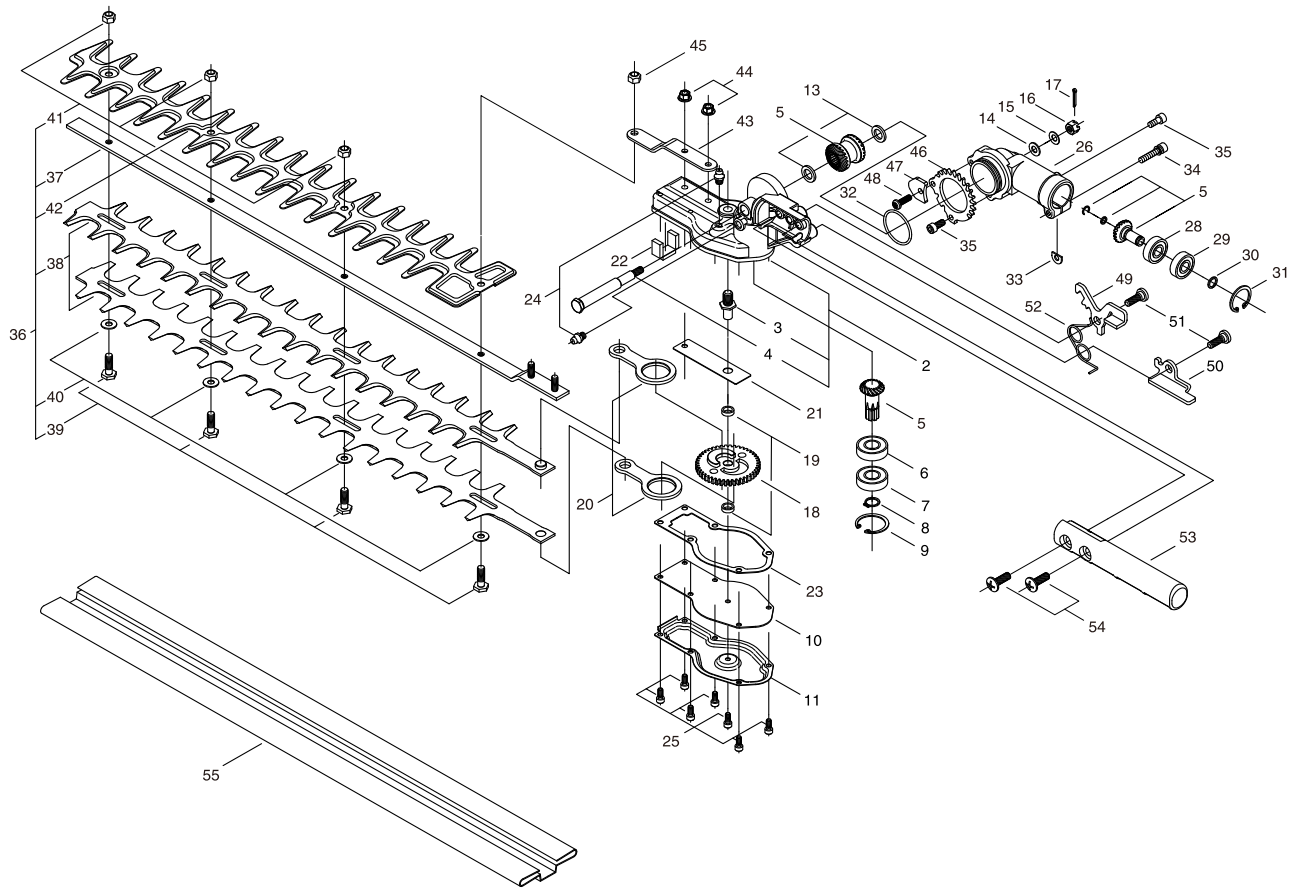


PARTS CATALOGUE

MULTI-TOOL SYSTEM SBA-AHS2422(35)

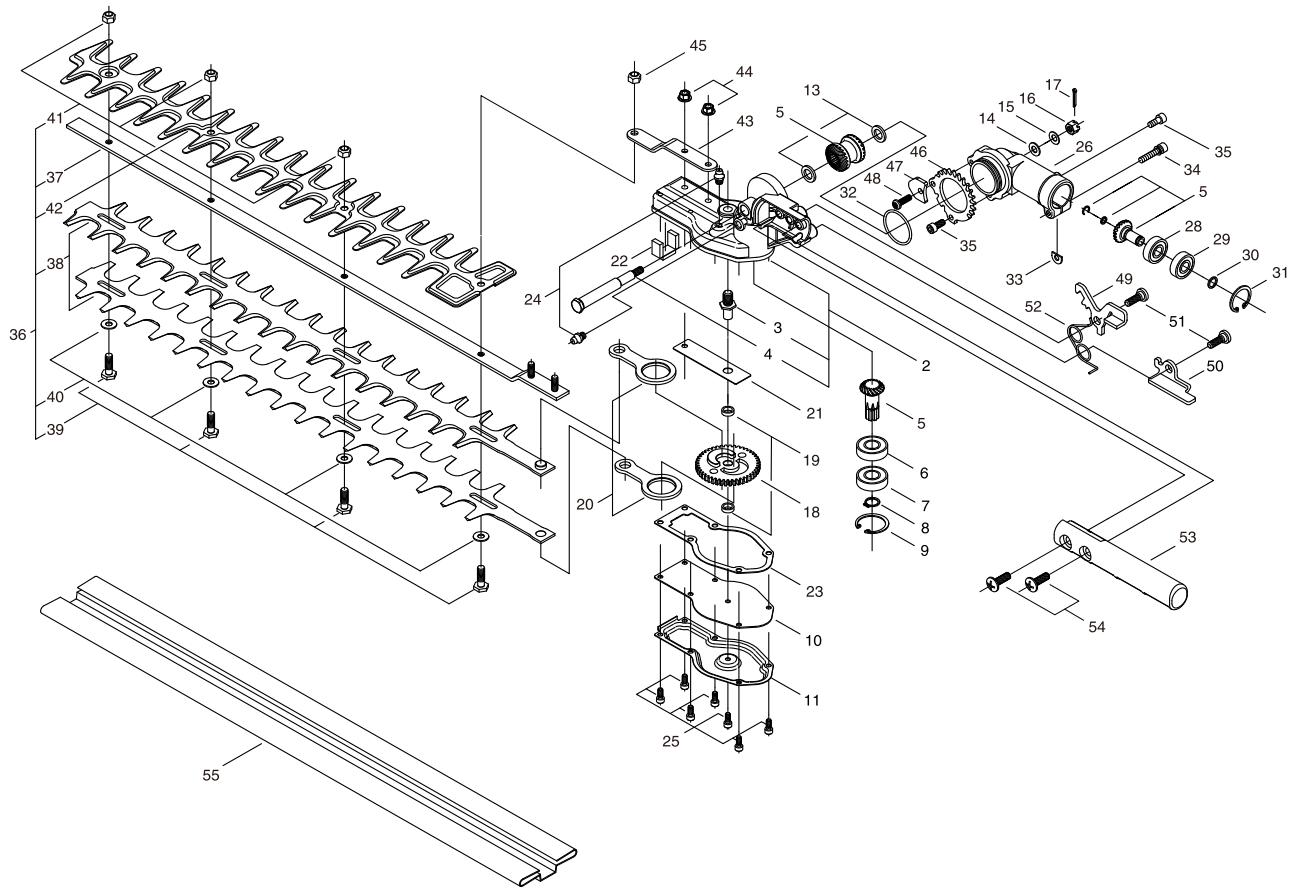
35000001 -

1. GEAR CASE



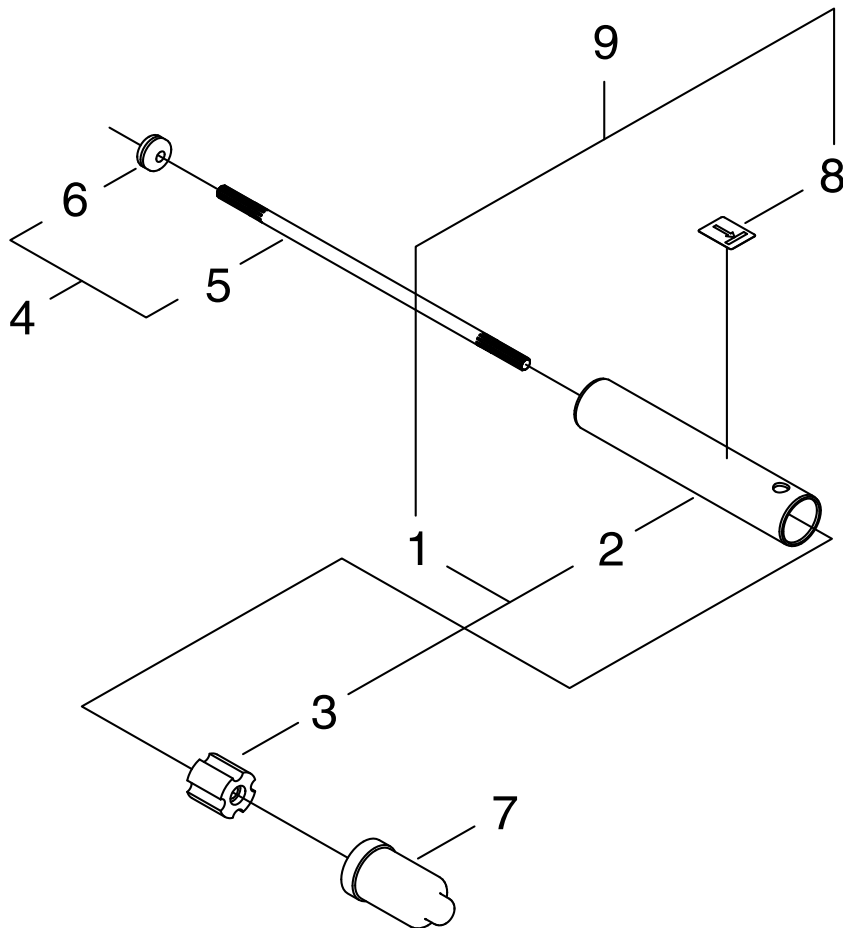
KEY	LV	PART NUMBER	Q'TY	DESCRIPTION	REMARKS	NOTE1	NOTE2
2		P021-028810	1	GEAR CASE			
3	+	C534-000660	1	MAIN SHAFT			
4	+	C534-000670	1	SHAFT			
5		P021-035780	1	GEAR SET	AHS254		
6		900800-06001	1	BEARING, BALL 6001			
7		900804-06001	1	BEARING, BALL 6001ZZ	6001ZZ		
8		92423-12000	1	SNAP RING			
9		92424-28000	1	SNAP RING			
10		C542-000040	1	CASE COVER			
11		C539-000080	1	COVER			
13		V307-000250	2	WASHER,CIRCULAR 10			
14		900603-00006	1	WASHER 6	6.5*13*1		
15		V347-000030	1	CONE WASHER			
16		V264-000170	1	NUT			
17		93002-16150	1	PIN			
18		V650-000530	1	CAM GEAR			
19		V355-000440	2	COLLAR			
20		C532-000220	2	ROD			
21		V150-002460	1	PLATE			
22		V541-000220	1	PACKING			
23		V110-000140	1	GASKET			
24		V187-000080	2	GREASE NIPPLE			
25		900105-04010	7	BOLT, H.S. 4*10	4*10		
26		C531-000700	1	GEAR CASE UPPER			
28		900800-00609	1	BEARING, BALL 609	609		
29		900804-00609	1	BEARING, BALL 609	609ZZ		

1. GEAR CASE



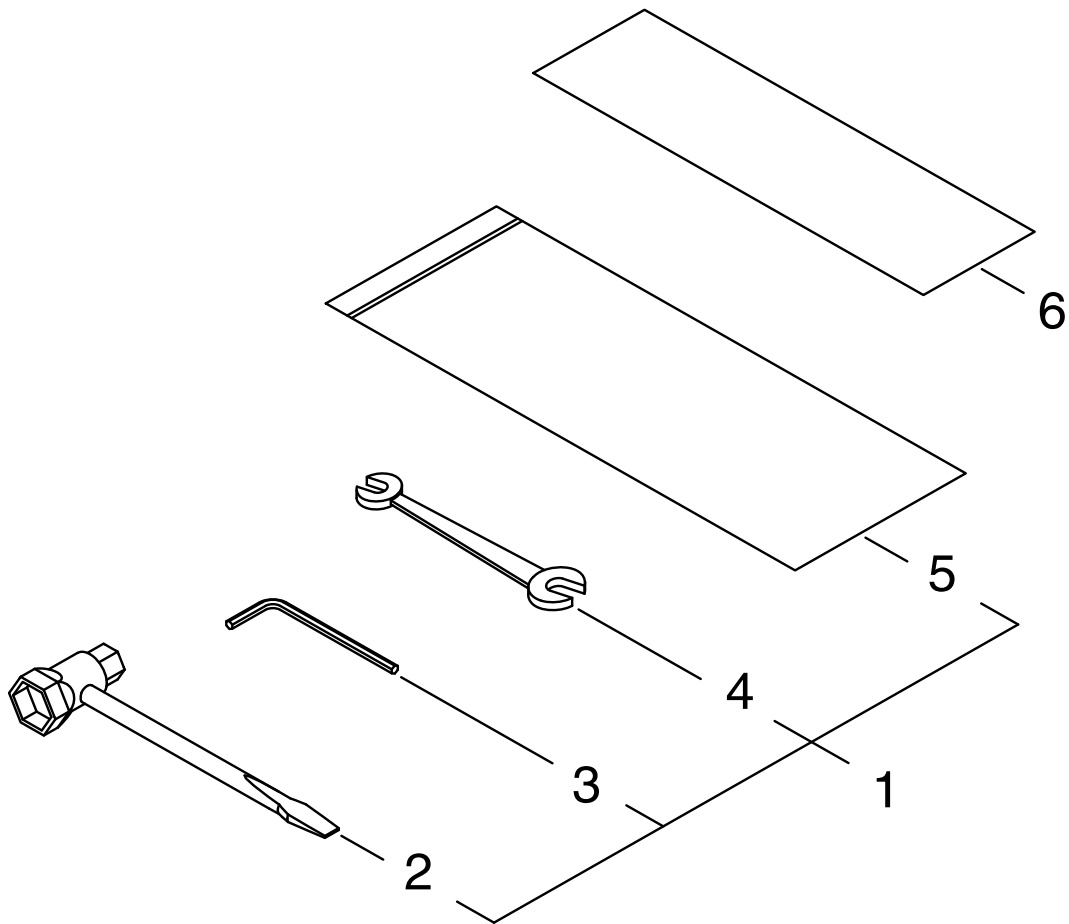
KEY	LV	PART NUMBER	Q'TY	DESCRIPTION	REMARKS	NOTE1	NOTE2
30		900706-00009	1	CIRCLIP 9	WR-9		
31		92424-24000	1	SNAP RING			
32		92507-03150	1	O RING			
33		V340-000300	1	SHIM			
34		V203-000560	1	BOLT SW			
35		900105-05012	2	BOLT, H.S. 5*12	5*12		
36		X041-000311	1	CUTTER,ASM			
37	+	X425-000820	1	SUPPORT,CUTTER			
38	+	X411-001151	2	CUTTER			
39	+	V204-000570	4	BOLT			
40	+	V304-000240	4	WASHER			
41	+	433022-06460	3	NUT			
42	+	X431-000080	1	PROTECTOR			
43		V152-002390	1	HOLDER			
44		V263-000330	2	FLANGE NUT			
45		433022-06460	1	NUT			
46		C465-000020	1	ADJUST PLATE			
47		C629-000040	1	STOPPER PLATE			
48		V254-000100	1	SCREW			
49		C661-000070	1	LOCK LEVER			
50		C661-000080	1	SAFTY LEVER			
51		V204-000580	2	PIN RATCHET			
52		V452-000710	1	COIL SPRING			
53		C403-000480	1	HANDLE			
54		91463-06020	2	SCREW TRUSS			
55		X495-000410	1	BLADE COVER			

2. MAIN PIPE



KEY	LV	PART NUMBER	Q'TY	DESCRIPTION	REMARKS	NOTE1	NOTE2
9		P021-029150	1	OUTER PIPE COMP			
1	+	C050-002030	1	OUTER PIPE COMP			
2	++	C500-000700	1	OUTER PIPE			
3	++	C501-000010	1	BUSH			
8	+	X505-003460	1	LABEL INST			
4		C504-000890	1	MAIN SHAFT ASSY			
5	+	C504-000900	1	MAIN SHAFT			
6	+	V145-000210	1	GROMMET			
7		C525-000050	1	CAP,MAIN PIPE			

3. TOOLS



KEY	LV	PART NUMBER	Q'TY	DESCRIPTION	REMARKS	NOTE1	NOTE2
1		P021-029100	1	TOOL SET			
2	+	X602-000190	1	PLUG WRENCH			
3	+	X605-000100	1	TOOL,L WRENCH	4MM M5㉿		
4	+	X600-000020	1	SPANNER			
5	+	X705-000130	1	POLY BAG			
6		X505-003490	1	LABEL CAUTION			

Index

Patrs Number	Key No.	Patrs Number	Key No.	Patrs Number	Key No.
433022-06460	1 - 41	V307-000250	1 - 13		
433022-06460	1 - 45	V340-000300	1 - 33		
900105-04010	1 - 25	V347-000030	1 - 15		
900105-05012	1 - 35	V355-000440	1 - 19		
900603-00006	1 - 14	V452-000710	1 - 52		
900706-00009	1 - 30	V541-000220	1 - 22		
900800-00609	1 - 28	V650-000530	1 - 18		
900800-06001	1 - 6	X041-000311	1 - 36		
900804-00609	1 - 29	X411-001151	1 - 38		
900804-06001	1 - 7	X425-000820	1 - 37		
91463-06020	1 - 54	X431-000080	1 - 42		
92423-12000	1 - 8	X495-000410	1 - 55		
92424-24000	1 - 31	X505-003460	2 - 8		
92424-28000	1 - 9	X505-003490	3 - 6		
92507-03150	1 - 32	X600-000020	3 - 4		
93002-16150	1 - 17	X602-000190	3 - 2		
C050-002030	2 - 1	X605-000100	3 - 3		
C403-000480	1 - 53	X705-000130	3 - 5		
C465-000020	1 - 46				
C500-000700	2 - 2				
C501-000010	2 - 3				
C504-000890	2 - 4				
C504-000900	2 - 5				
C525-000050	2 - 7				
C531-000700	1 - 26				
C532-000220	1 - 20				
C534-000660	1 - 3				
C534-000670	1 - 4				
C539-000080	1 - 11				
C542-000040	1 - 10				
C629-000040	1 - 47				
C661-000070	1 - 49				
C661-000080	1 - 50				
P021-028810	1 - 2				
P021-029100	3 - 1				
P021-029150	2 - 9				
P021-035780	1 - 5				
V110-000140	1 - 23				
V145-000210	2 - 6				
V150-002460	1 - 21				
V152-002390	1 - 43				
V187-000080	1 - 24				
V203-000560	1 - 34				
V204-000570	1 - 39				
V204-000580	1 - 51				
V254-000100	1 - 48				
V263-000330	1 - 44				
V264-000170	1 - 16				
V304-000240	1 - 40				

YAMABIKO CORPORATION

7-2 SUEHIROCHO 1-CHOME, OHME, TOKYO 198-8760, JAPAN
PHONE: 81-428-32-6118. FAX: 81-428-32-6145.

shindaiwa[®]

12Bb
No. 03-273