



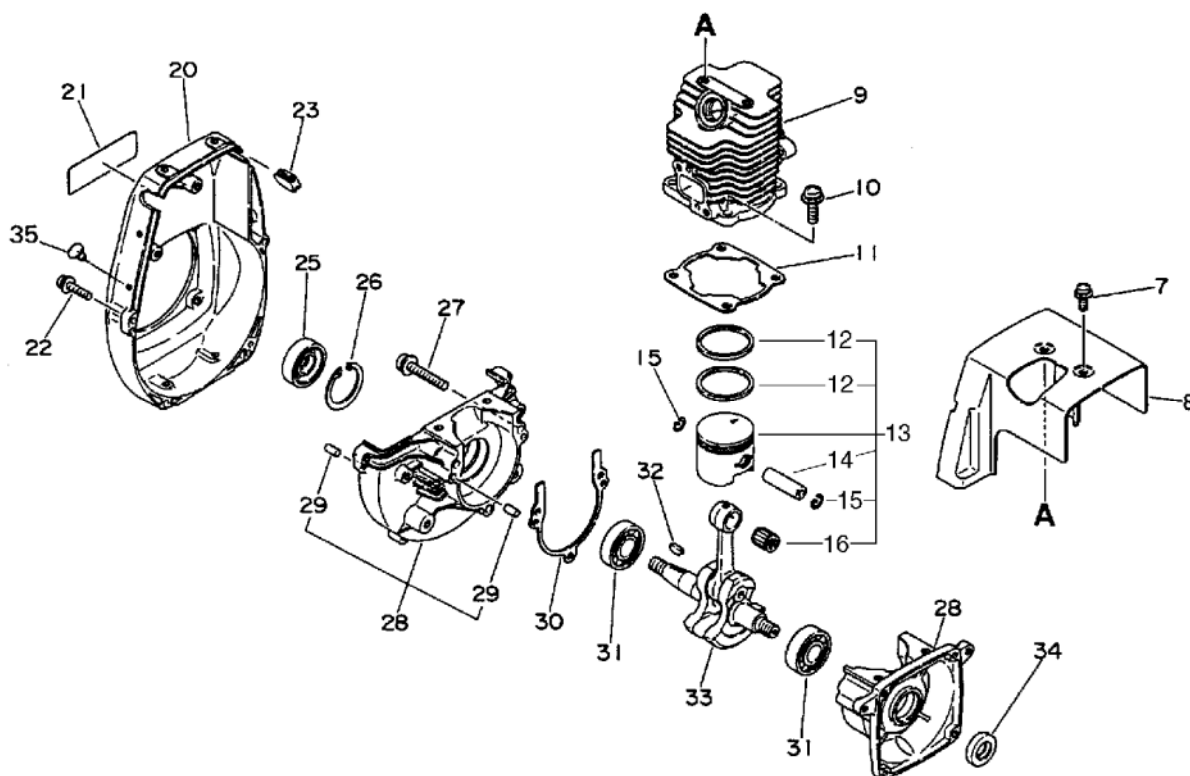
# **PARTS CATALOGUE**

**HEDGE TRIMMER**

**RMT230**

# 1. Cylinder, Crankcase, Piston, Fan Cover

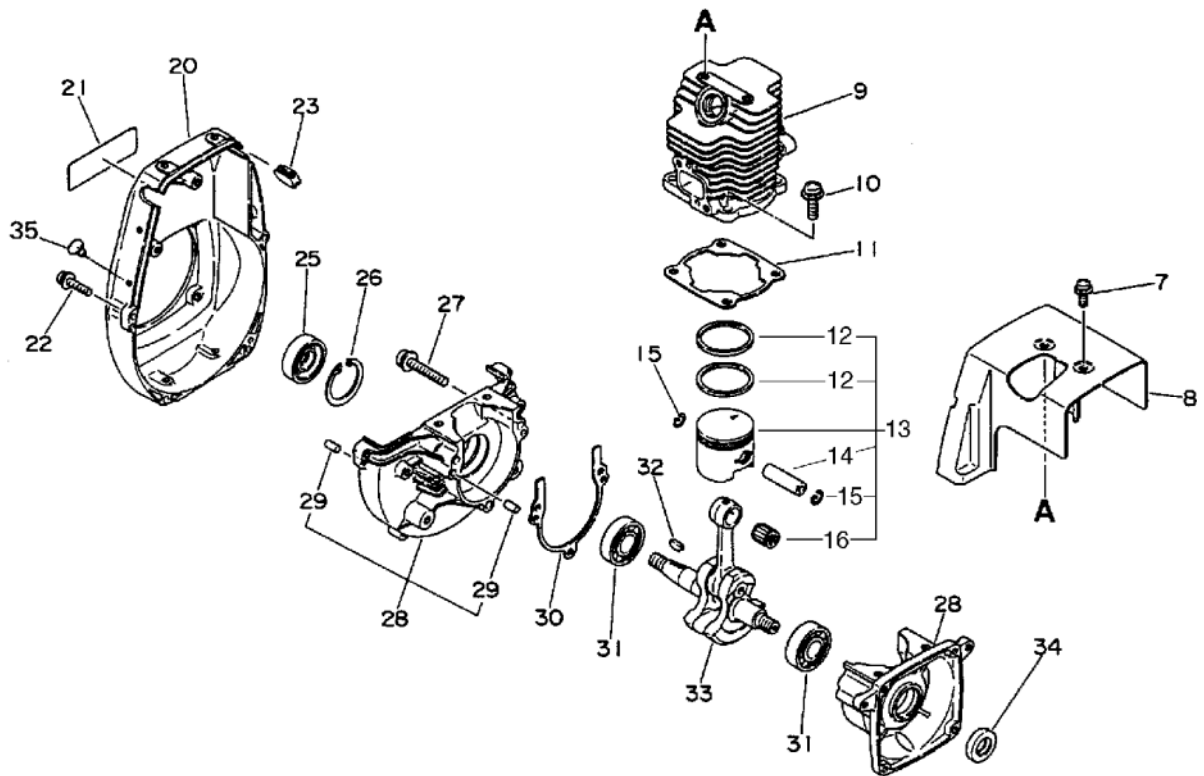
No.1



KEY	LV	PART NUMBER	Q'TY	DESCRIPTION	REMARKS	NOTE1	NOTE2
7		900242-04010	2	SCREW 4*10	4*10		
8		101514-28231	1	COVER, CYLINDER			
9		101011-40630	1	CYLINDER			
10		900242-05016	4	SCREW 5*16	5*16		
11		101010-28231	1	GASKET, CYL. BASE			
13		100000-28230	1	PISTON KIT		Sus. by 100000-28231	
13		100000-28231	1	PISTON KIT			
12	+	100011-28230	2	RING, PISTON			
14	+	100013-22330	1	PIN, PISTON			
15	+	100015-04630	2	CIRCLIP, PISTON PIN			
16	+	100012-22330	1	BEARING, NEEDLE		Sus. by V553-000040	
16	+	V553-000040	1	BEARING, NEEDLE 8	8E-KV8X11X11.8XS		
20		101511-07660	1	COVER, FAN			
21		890112-07660	1	LABEL, MODEL			
22		900242-04016	4	SCREW 4*16	4*16		
23		101538-28230	1	GROMMET, PLUG			
25		100212-28230	1	OILSEAL ISCD 12*28*7	ISCD 12*28*7		
26		900702-00028	1	CIRCLIP 28	CR-28		
27		900242-05028	3	SCREW 5*28	5*28		
28		100200-28230	1	CRANKCASE SET			
29	+	100215-03930	4	PIN, DOWEL			
30		100242-28230	1	GASKET, CRANKCASE			
31		900800-36001	2	BEARING, BALL 6001	6001/C3		

# 1. Cylinder, Crankcase, Piston, Fan Cover

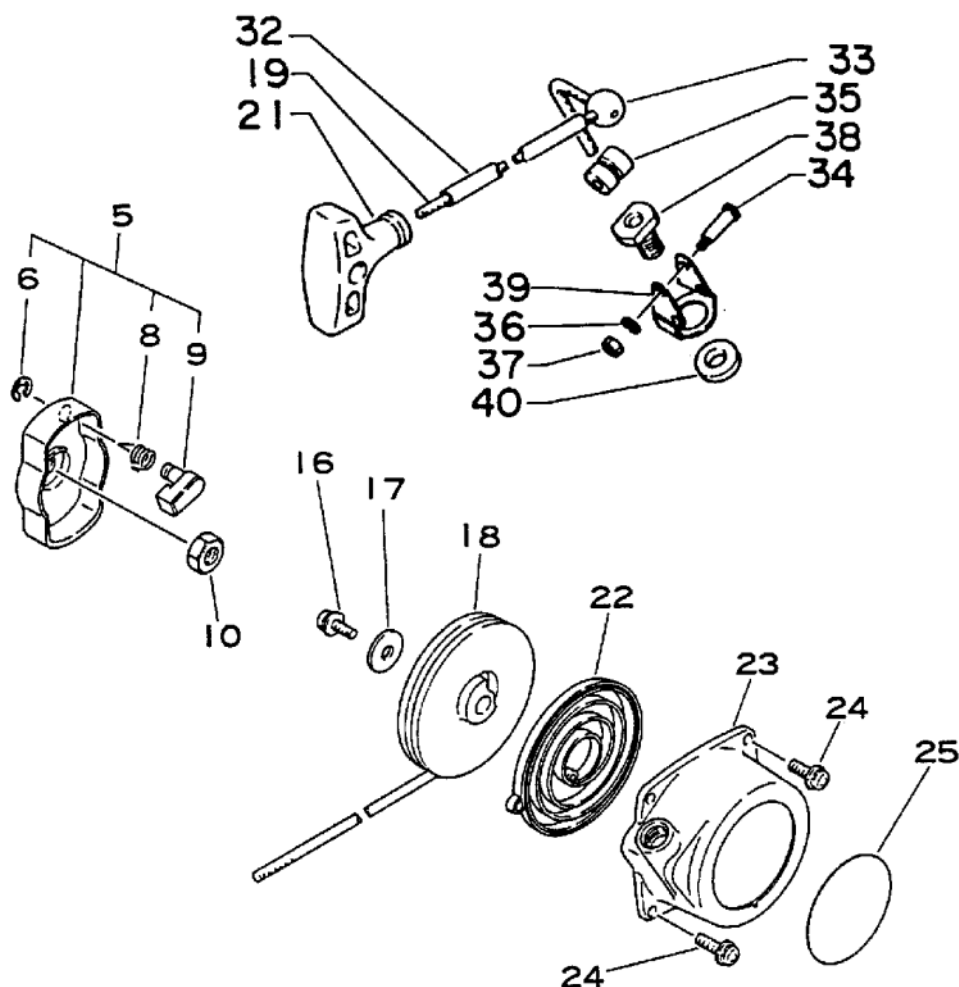
No.1



KEY	LV	PART NUMBER	Q'TY	DESCRIPTION	REMARKS	NOTE1	NOTE2
32		100142-12330	1	KEY, WOODRUFF			
33		100100-40630	1	CRANKSHAFT ASSY		Sus. by 100100-40632	
33		100100-40631	1	CRANKSHAFT		Sus. by 100100-40632	
33		100100-40632	1	CRANKSHAFT			
34		100212-04630	1	OILSEAL	ISMx12*19*4		
35		880517-28230	1	PLUG			

## 2. Starter

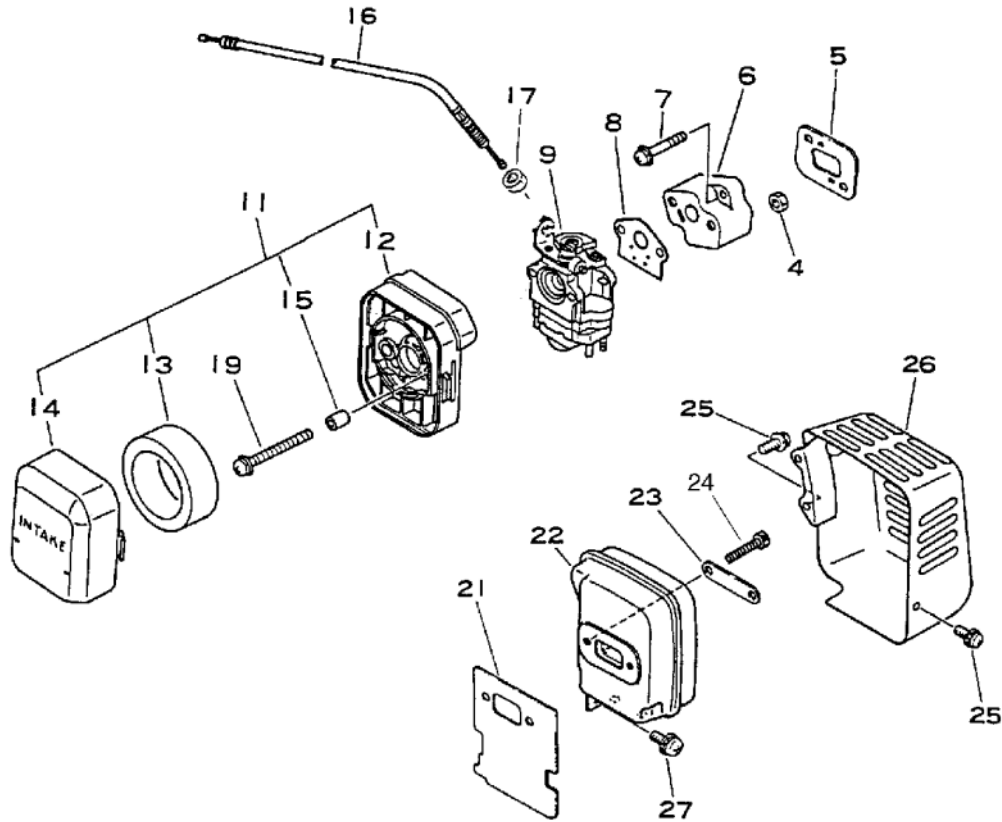
No.2



KEY	LV	PART NUMBER	Q'TY	DESCRIPTION	REMARKS	NOTE1	NOTE2
5		177202-40630	1	PAWL ASSY, STARTER			
6	+	900700-00004	1	E-RING 4	CE-4		
8	+	177234-40630	1	SPRING, RETURN			
9	+	177218-40630	1	PAWL, STARTER	WHITE		
10		900502-00008	1	NUT 8 (3N)	3N8		
		177200-49830	1	STARTER ASSY			
16	+	177236-40630	1	SCREW			
17	+	177214-40630	1	WASHER			
18	+	177215-40630	1	DRUM, STARTER			
19	+	177226-10120	1	ROPE, STARTER	3.0*1000		
21	+	177228-06530	1	GRIP, STARTER			
22	+	177220-40630	1	SPRING, REWIND			
23	+	177232-28231	1	CASE, STARTER			
32	+	177271-49830	1	COVER, ROPE 5*8*150	5*8*150		
33	+	177272-10120	1	STOPPER			
34	+	177270-10121	2	BOLT, 4	4*22		
35	+	177268-10120	2	ROLLER, RECOIL			
36	+	900605-00004	2	WASHER, SPRING 4	4		
37	+	900500-00004	2	NUT 4	4		
38	+	177267-10120	1	BOLT			
39	+	177266-10120	1	BRACKET, RECOIL			
40	+	177269-10120	1	SPACER, BRACKET			
24		900242-04014	4	SCREW 4*14	4*14		
25		890118-49130	1	LABEL, ECHO			

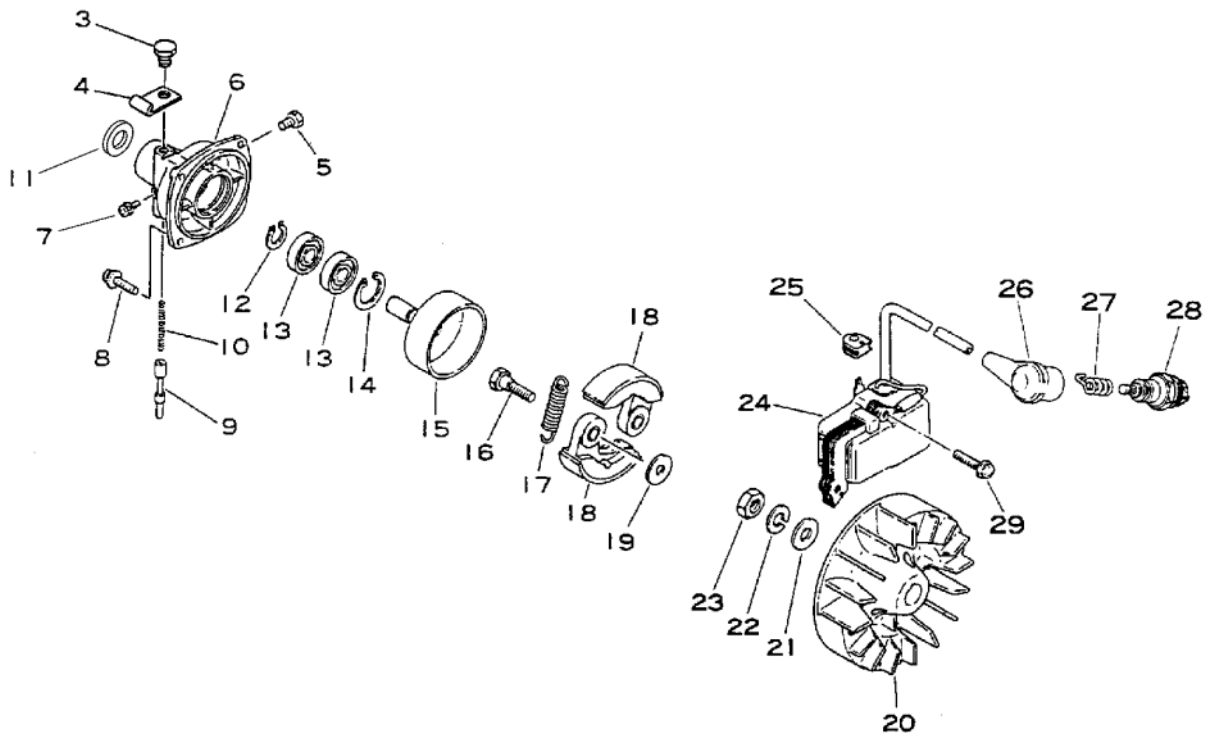
### 3. Air Cleaner, Muffler

No.3



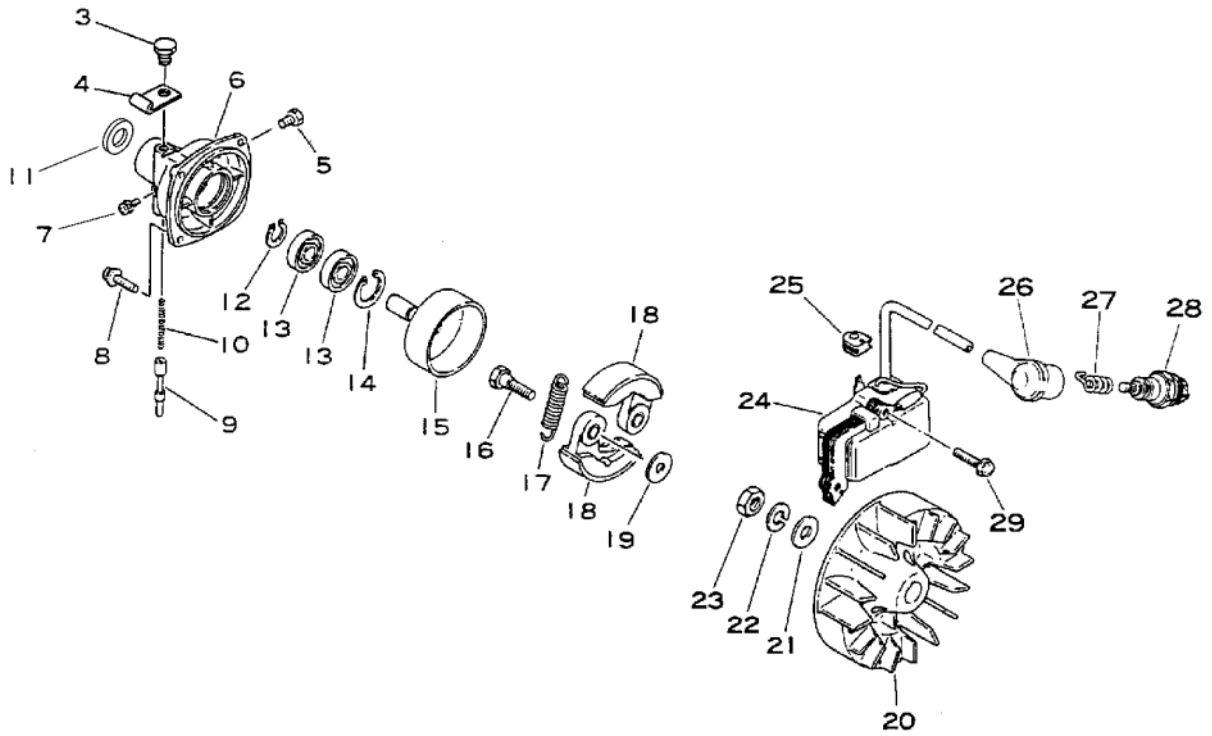
KEY	LV	PART NUMBER	Q'TY	DESCRIPTION	REMARKS	NOTE1	NOTE2
4		900500-00005	2	NUT 5	5		
5		130010-28231	1	GASKET			
6		130017-49730	1	INSULATOR			
7		900242-05020	2	SCREW 5*20	5*20		
8		130010-13410	1	GASKET, INTAKE			
9		123000-54230	1	CARBURETOR ASY	WYK-55		
11		130300-49830	1	CLEANER ASSY, AIR	CAA-38		
12	+	130314-12110	1	CASE, AIR CLERANER			
13	+	130310-07160	1	FILTER, AIR			
14	+	130313-12110	1	COVER, AIR CLEANER			
15	+	130327-44330	2	SLEEVE			
16		178001-49830	1	WIRE, THROTTLE	314*39		
17		900502-00006	1	NUT 6 (3N)	3N6		
19		900242-05064	2	SCREW 5*64	5*64		
21		145510-28231	1	GASKET, MUFFLER			
22		145610-45630	1	MUFFLER			
23		145642-04930	1	WASHER			
24		900105-05050	2	BOLT, H.S. 5*50	5*50		
25		900242-04010	3	SCREW 4*10	4*10		
26		145621-45630	1	COVER, MUFFLER			
27		900242-05010	1	SCREW 5*10	5*10		

## 4. Magneto, Clutch



KEY	LV	PART NUMBER	Q'TY	DESCRIPTION	REMARKS	NOTE1	NOTE2
3		610250-45930	1	BOLT			
4		1621111-07130	1	CLIP			
5		900100-06008	1	BOLT 6*8	6*8		
6		610223-27631	1	FLANGE, D.S. HOUSING			
7		900242-04008	1	SCREW	4*8		
8		900242-05016	4	SCREW 5*16	5*16		
9		610252-45931	1	LOCKPIN			
10		610251-45930	1	SPRING			
11		175313-20430	1	RING, FELT			
12		900701-00012	1	CIRCLIP 12	CS-12		
13		900808-06001	2	BEARING, BALL 6001VV	6001VV(LLB)		
14		900702-00028	1	CIRCLIP 28	CR-28		
15		175005-21532	1	DRUM, CLUTCH		Sus. by 175005-57430	
15		175005-57430	1	DRUM, CLUTCH			
16		175046-22332	2	BOLT, CLUTCH			
17		175018-05535	1	SPRING, CLUTCH			
18		175009-05532	2	SHOE, CLUTCH			
19		175048-05530	2	WASHER (I)	6.2*19*1.0		
20		156801-28230	1	FLYWHEEL			
21		900600-00008	1	WASHER 8	8		
22		900605-00008	1	WASHER, SPRING 8	8		
23		900502-00008	1	NUT 8 (3N)	3N8		
24		156626-28230	1	COIL, IGNITION			
25		156112-28230	1	GROMMET		Sus. by 156112-40630	

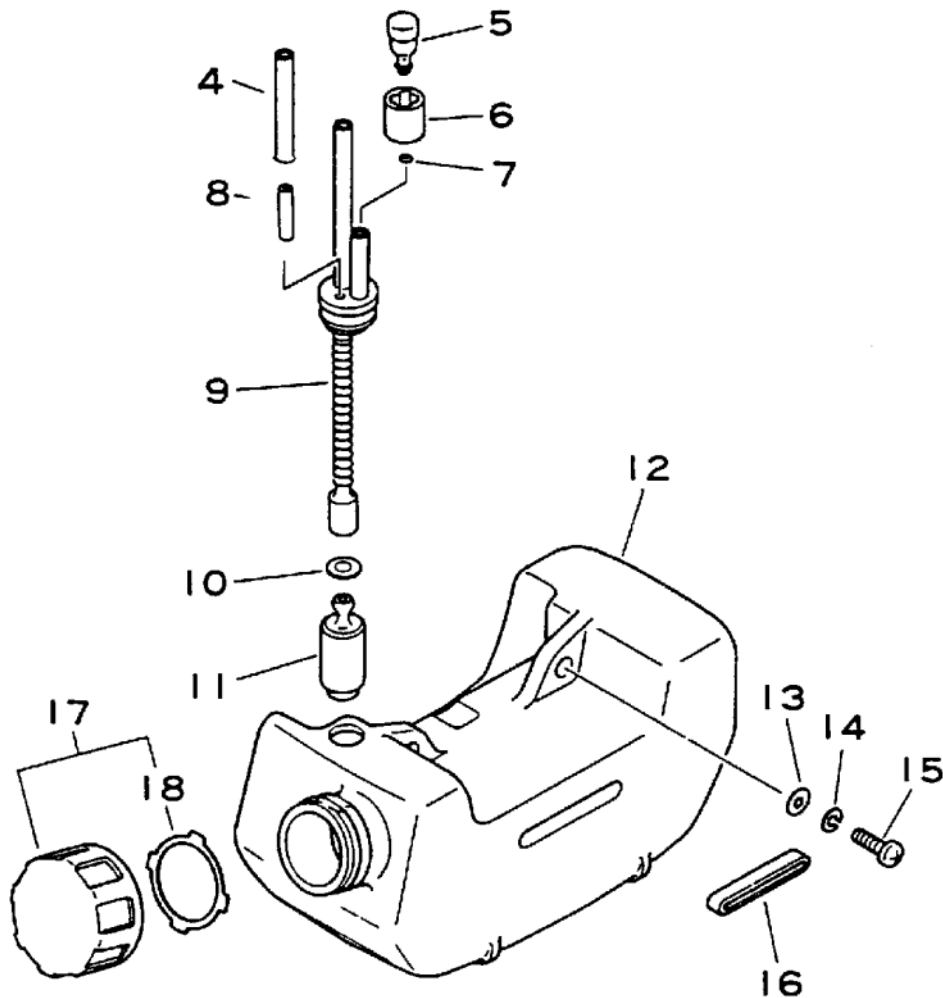
# 4. Magneto, Clutch



KEY	LV	PART NUMBER	Q'TY	DESCRIPTION	REMARKS	NOTE1	NOTE2
25		156112-40630	1	GROMMET			
26		159012-03433	1	CAP, SPARK PLUG			
27		159011-03432	1	COIL, SPARK PLUG			
28		159010-10630	1	PLUG, SPARK (BPM-7A)	BPM-7A		
29		900242-04020	2	SCREW 4*20	4*20		

## 5. Fuel Tank

No.5

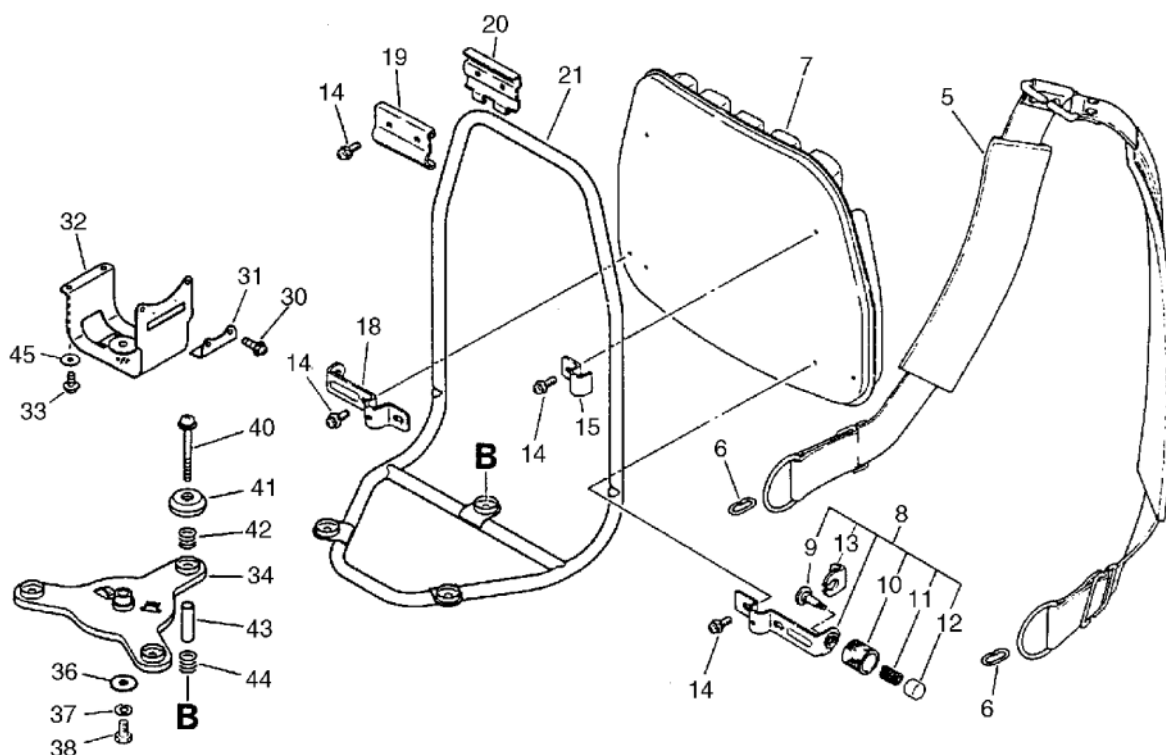


KEY	LV	PART NUMBER	Q'TY	DESCRIPTION	REMARKS	NOTE1	NOTE2
4		132012-49730	1	PIPE			
5		131300-56430	1	VALVE, CHECK			
6		131328-40630	1	COVER, VENT			
7		130111-00530	1	CLIP	5.5		
8		132021-49830	1	CONNECTOR, PIPE			
9		132010-45630	1	PIPE, FUEL (IMMER)	NBR		
11		131200-21330	1	STRAINER, FUEL		Sus. by 131205-19830	
11		131205-19830	1	STRAINER, FUEL			
10	+	900603-00005	1	WASHER 5	5.5*12*0.8	Can be used on the 131205-19830 only	
12		131005-45630	1	TANK, FUEL			
13		900603-00005	2	WASHER 5	5.5*12*0.8		
14		900605-00005	2	WASHER, SPRING 5	5		
15		900220-05016	2	SCREW 5*16	5*16		
16		131920-28230	1	CUSHION, FUEL TANK			
17		131004-55830	1	CAP ASSY, FUEL TANK			
18	+	131016-55830	1	GASKET, FUEL CAP			



## 6. Harness

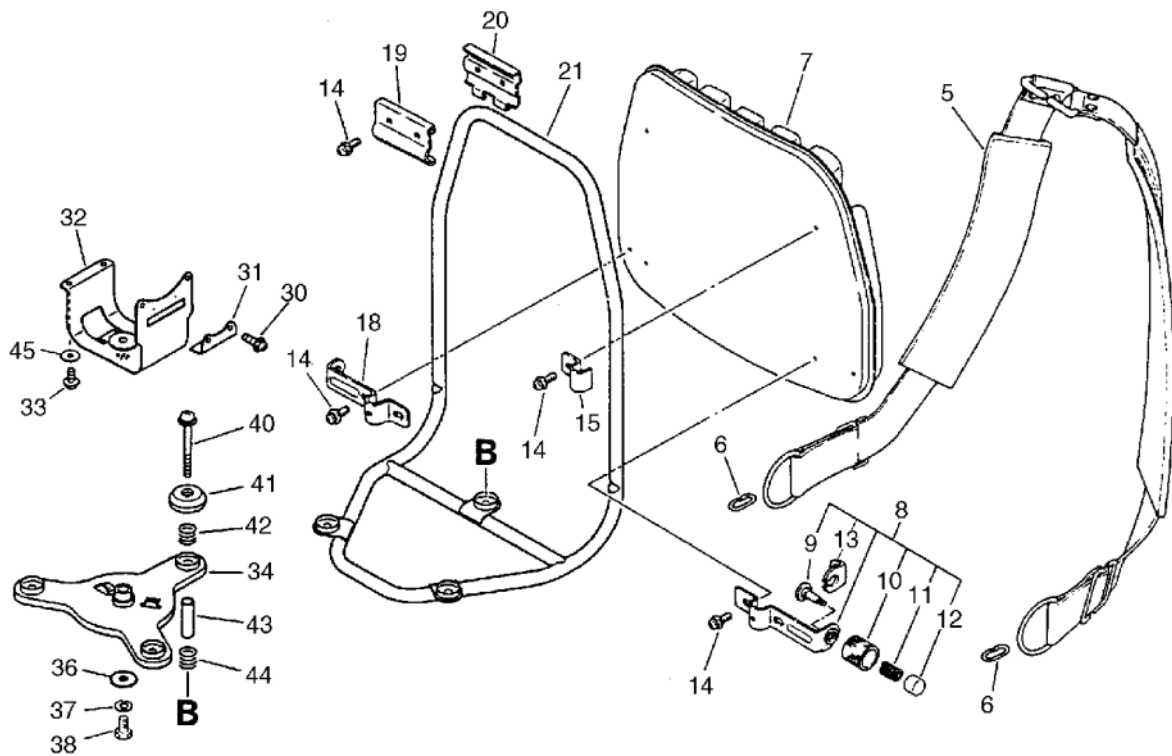
No.6



KEY	LV	PART NUMBER	Q'TY	DESCRIPTION	REMARKS	NOTE1	NOTE2
5		300300-45630	1	HARNESS, BACKPACK		Sus. by C061-000050	
5		C061-000050	1	HARNESS,ASM BACKPACK			
6		300319-01611	2	RING, HARNESS		Can be used on 300300-45630 only	
7		300105-27630	1	CUSHION			
8		300200-27630	1	BRACKET ASSY			
9	+	300715-27630	1	SHAFT			
10	+	300717-27630	1	GUARD			
11	+	300713-27630	1	SPRING			
12	+	300711-27630	1	BUTTON			
13	+	300716-27630	1	PLATE			
14		900242-05012	6	SCREW 5*12	5*12		
15		300220-20430	2	BRACKET, CUSHION			
18		300226-27631	1	PLATE (L)			
19		300616-22030	1	PLATE, KNAPSACK BAND			
20		300610-22030	1	PLATE, KNAPSACK BAND			
21		300010-48230	1	FRAME, BACKPACK		Sus. by 300010-48231	
21		300010-48231	1	FRAME, BACKPACK			
30		900242-04008	2	SCREW	4*8		
31		131910-45630	1	BRACKET, FUEL TANK			
32		104908-45631	1	BRACKET, ENGINE			
33		900105-05012	2	BOLT, H.S. 5*12	5*12		
34		104807-48231	1	BRACKET, ENGINE			

## 6. Harness

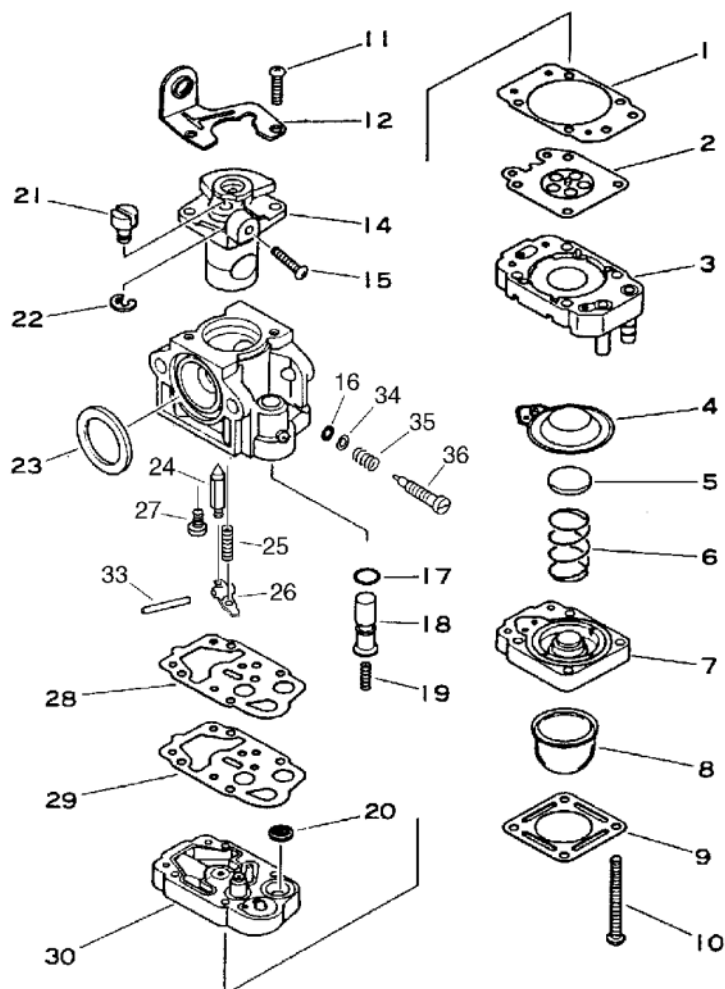
No.6



KEY	LV	PART NUMBER	Q'TY	DESCRIPTION	REMARKS	NOTE1	NOTE2
36		175014-03930	1	WASHER, CLUTCH			
37		900605-00006	1	WASHER, SPRING 6	6		
38		900100-06016	1	BOLT 6*16	6*16		
40		900242-05040	3	SCREW 5*40	5*40		
41		104942-47430	3	SEAT, SPRING			
42		104940-47430	3	SPRING			
43		104941-48430	3	COLLAR			
44		104940-48230	3	SPRING			
45		900605-00005	2	WASHER, SPRING 5	5		

## 7. Carburetor

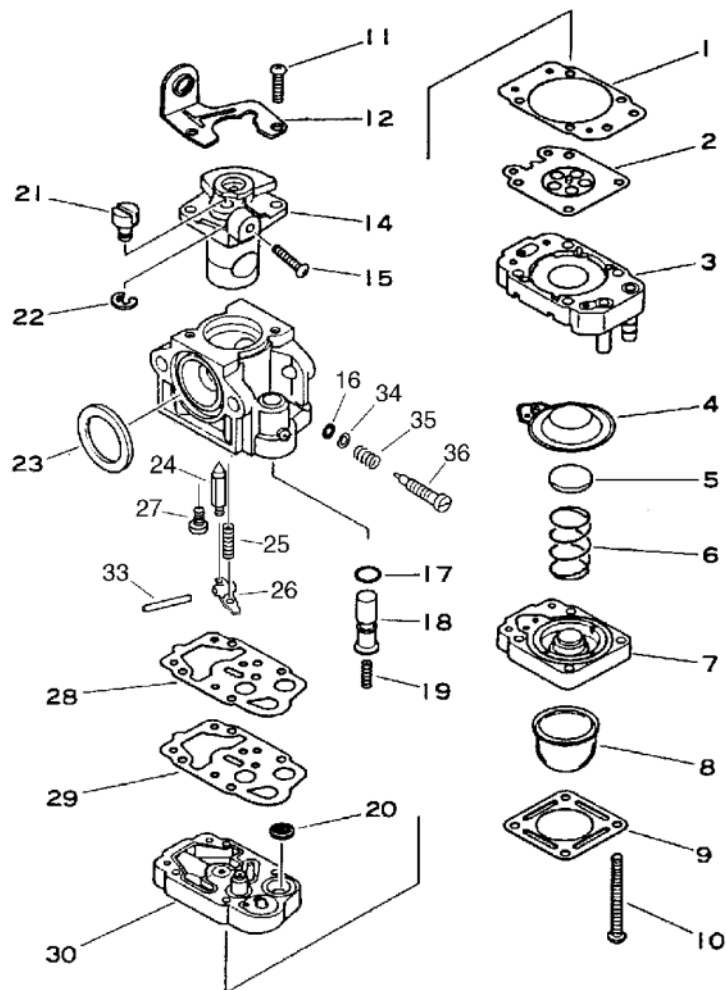
No.7



KEY	LV	PART NUMBER	Q'TY	DESCRIPTION	REMARKS	NOTE1	NOTE2
		123000-54230	1	CARBURETOR ASY	WYK-55		
1	+	123140-12110	1	GASKET, M. DIAPHRAGM			
2	+	123141-03930	1	DIAPHRAGM, METERING			
3	+	123179-12110	1	BODY ASSY, PUMP			
4	+	123149-12110	1	WASHER			
5	+	123111-12110	1	DIAPHRAGM, C.VALVE			
6	+	123155-12110	1	SPRING			
7	+	123180-54230	1	BODY, AIR PURGE			
8	+	123181-12210	1	PUMP, PRIMER			
9	+	123142-12210	1	COVER, PRIMER PUMP			
10	+	123144-54230	4	SCREW			
11	+	123114-40630	2	SCREW			
12	+	123128-54230	1	BRACKET, IDLE ADJUST			
14	+	123116-54230	1	VALVE, THROTTLE			
15	+	123134-40030	1	SCREW, IDLE ADJUST			
16	+	123183-54230	1	O-RING			
17	+	123183-12110	1	O-RING			
18	+	123182-12110	1	VALVE ASM., START			
19	+	123186-12110	1	SPRING, START VALVE			
20	+	123126-10631	1	SCREEN, INLET			
21	+	123172-45130	1	SWIVEL			
22	+	123173-07930	1	CLIP			
23	+	123143-12110	1	RING, PACKING			
24	+	123137-19830	1	VALVE, INLET NEEDLE			
25	+	123122-05560	1	SPRING, METER. LEVER			
26	+	123123-03930	1	LEVER, METERING			

## 7. Carburetor

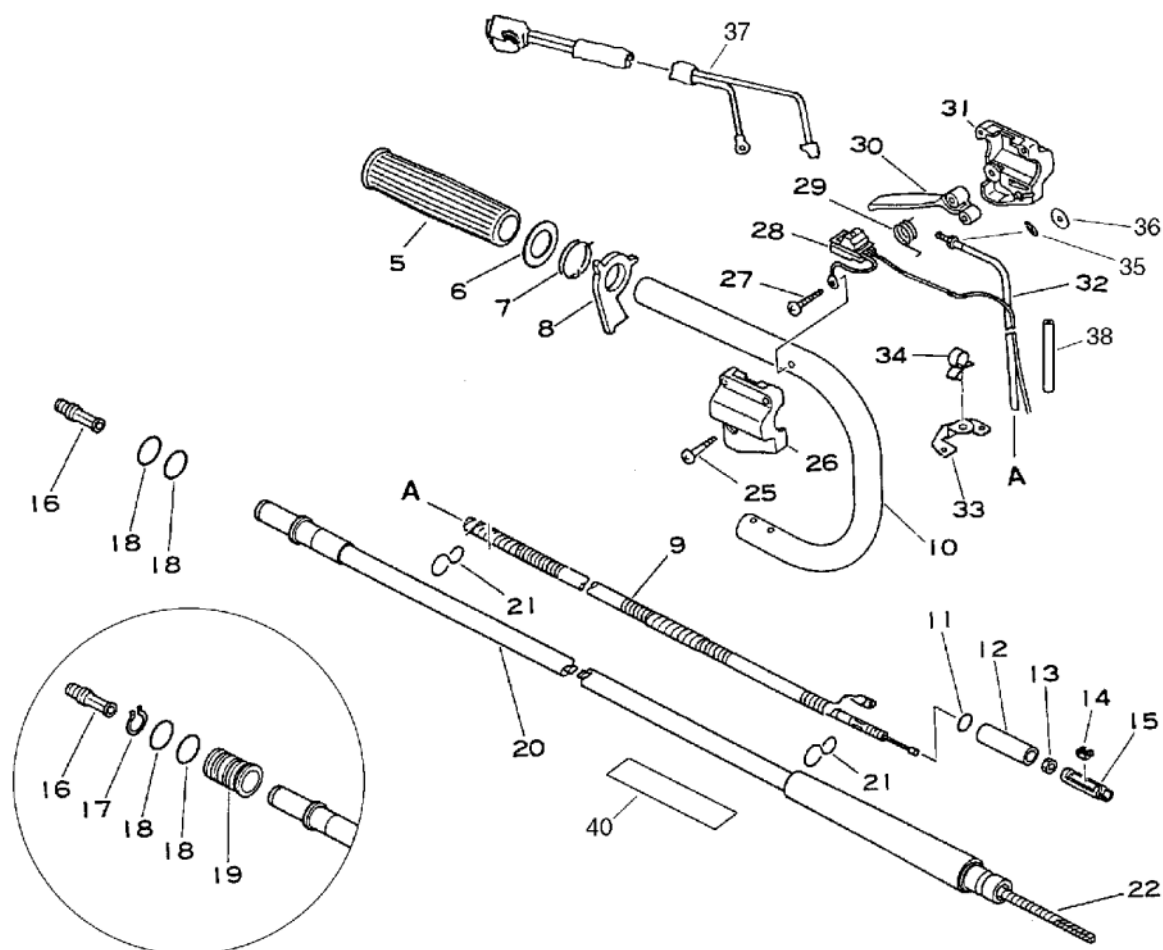
No.7



KEY	LV	PART NUMBER	Q'TY	DESCRIPTION	REMARKS	NOTE1	NOTE2
27	+	123139-05560	1	SCREW, M. LEVER PIN			
28	+	123125-12110	1	GASKET, FUEL PUMP			
29	+	123112-12110	1	DIAPHRAGM, FUEL PUMP			
30	+	123179-54230	1	BODY ASY, PUMP			
33	+	123138-03930	1	PIN, METERING LEVER			
34	+	123174-54230	1	WASHER, CHECK VALVE			
35	+	123121-22130	1	SPRING, NEEDLE			
36	+	123120-54230	1	NEEDLE, HIGH SPEED			

## 8. Handle

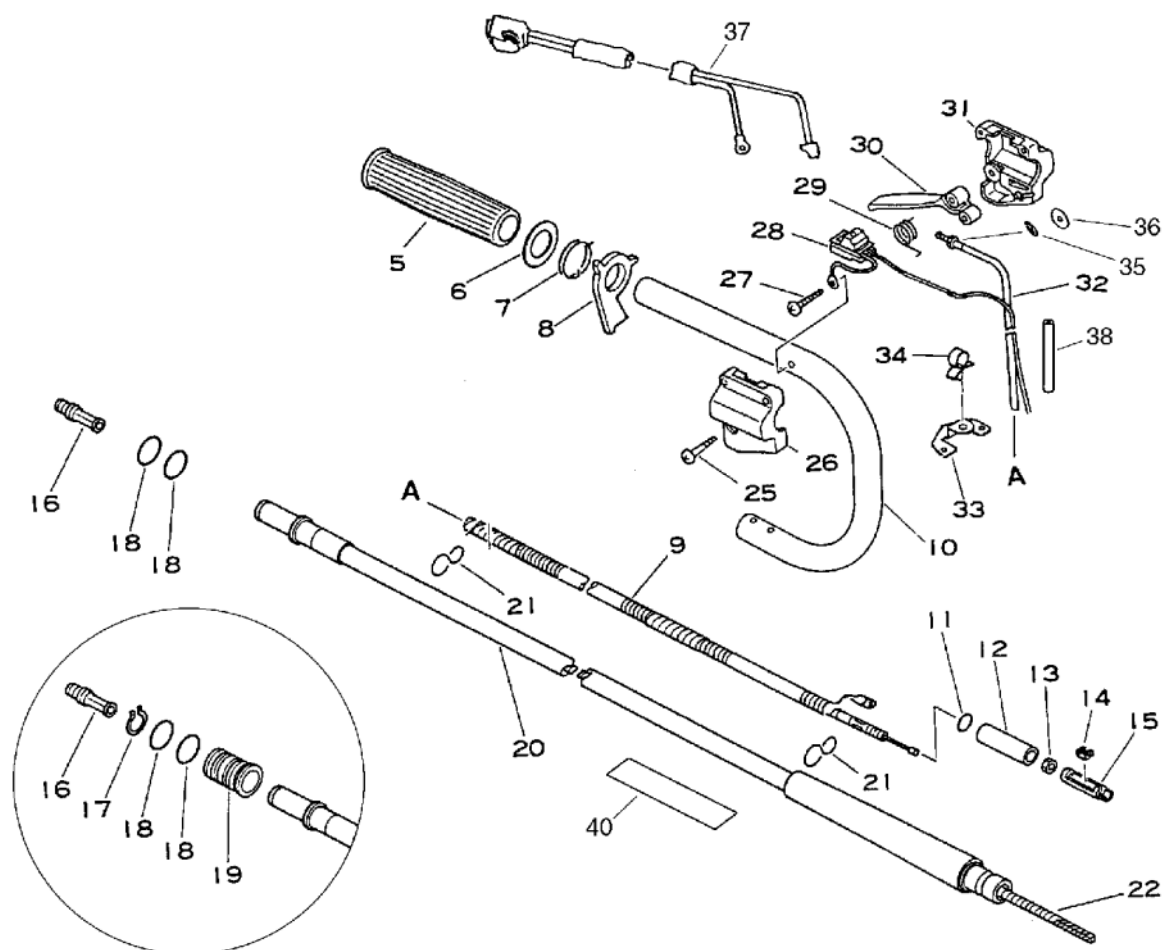
No.8



KEY	LV	PART NUMBER	Q'TY	DESCRIPTION	REMARKS	NOTE1	NOTE2
5		351311-28330	1	GRIP, HANDLE			
6		178070-02060	1	SPACER		Sus. by 178070-02061	
6		178070-02061	1	SPACER	19.5*34*0.5		
7		178013-02060	1	SPRING, THR. LOCK			
8		178012-02061	1	LOCKOUT, THROTTLE			
9		162110-07660	1	TUBE	7*1200		
10		351210-07661	1	HANDLE, REAR			
11		178133-22330	1	RING			
12		178128-05630	1	SLEEVE			
13		178021-05530	1	LOCKNUT			
14		178049-06630	1	CONNECTOR			
15		178114-05630	1	CONNECTOR, THR. WIRE			
16		610010-48230	1	SHAFT, DRIVE		OLD	
16		610010-07660	1	SHAFT, DRIVE		NEW	
17		610335-49830	1	CIRCLIP 16		OLD	
18		900720-00018	2	O-RING 18	P-18	OLD	
18		900720-00018	4	O-RING 18	P-18	NEW	
19		610215-46830	1	SOCKET, SHAFT		OLD	
20		610209-28631	1	COVER, FLEX. SHAFT	1100L		
21		178121-07660	3	RING			
22		610013-28630	1	SHAFT, FLEXIBLE			
25		900245-04025	4	SCREW 4*25	4*25		
26		178024-01260	1	BRACKET, THROTTLE		Sus. by 178024-01261	
26		178024-01261	1	BRACKET, THROTTLE			

## 8. Handle

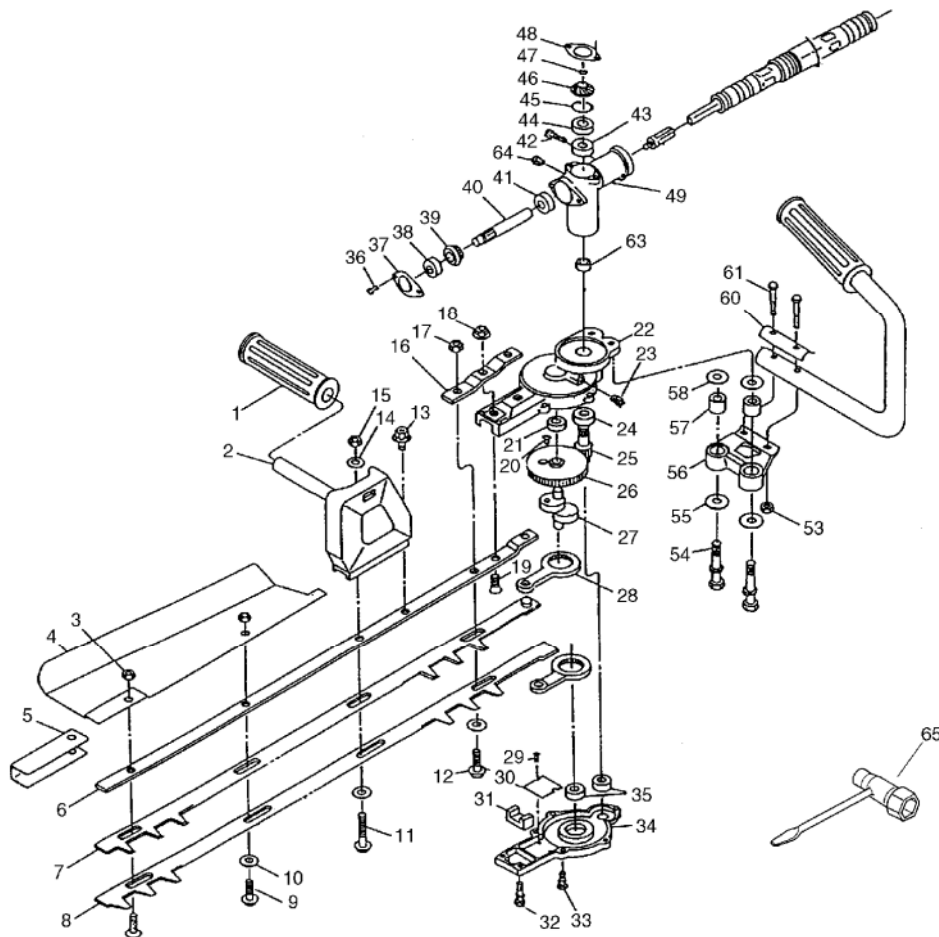
No.8



KEY	LV	PART NUMBER	Q'TY	DESCRIPTION	REMARKS	NOTE1	NOTE2
27		900245-04030	1	SCREW 4*30	4*30		
28		163400-07660	1	SWITCH, IGNITION			
29		178043-01260	1	SPRING, THR. RETURN			
30		178010-07660	1	CONTROL, THROTTLE			
31		178052-01260	1	BRACKET, THR. LEVER		Sus. by 178052-01261	
31		178052-01261	1	BRACKET, THROTTLE			
32		178001-07660	1	WIRE, THROTTLE			
33		163810-07660	1	BRACKET, SWITCH			
34		159112-49830	1	CLIP			
35		900700-00005	1	E-RING 5	CE-5		
36		178120-07660	1	WASHER	6.1*12*3		
37		162000-49830	1	LEAD			
38		156111-49830	2	TUBE	6*7*40		
40		890124-07130	1	LABEL, CAUTION			

# 9. Gear Case, Cutter, Tool

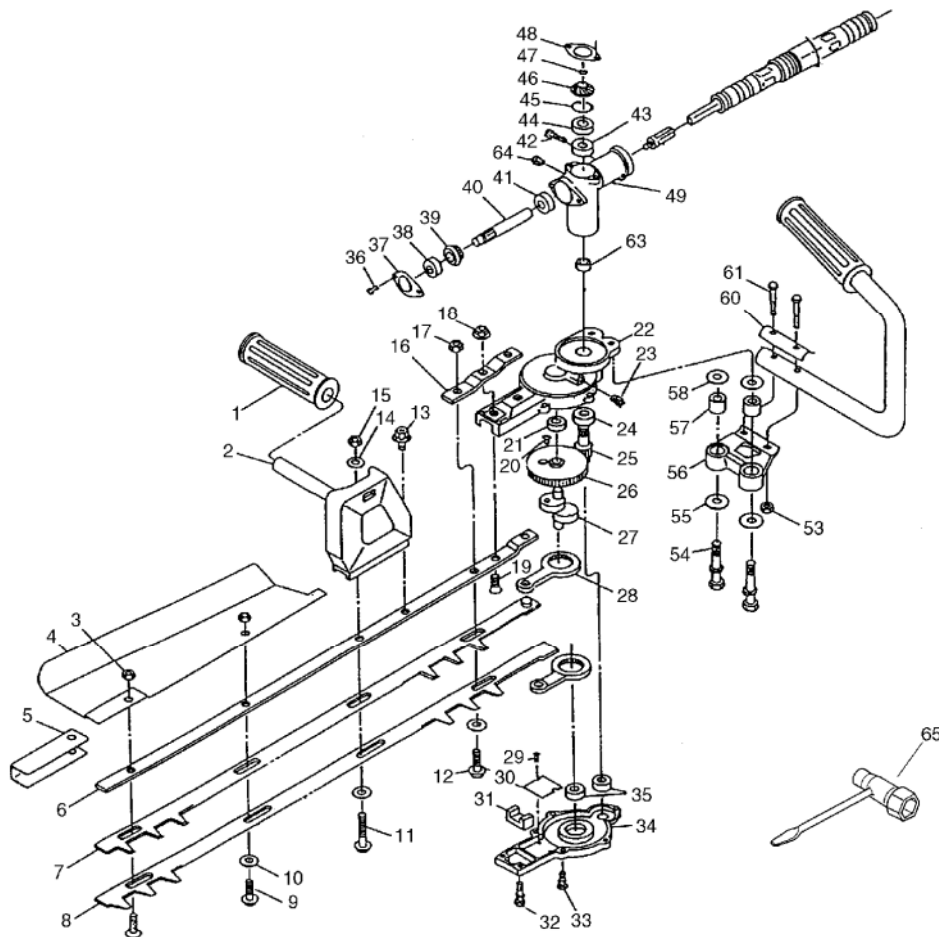
No.9



KEY	LV	PART NUMBER	Q'TY	DESCRIPTION	REMARKS	NOTE1	NOTE2
1		930000-08345	1	GRIP			
2		930000-30141	1	BAR, RIGHT HANDLE			
3		900560-00006	3	NUT, LOCK	6		
4		930000-30114	1	GUARD			
5		930000-27145	1	SUPPORTER			
6		930001-36116	1	GUIDE, PLATE			
7		930010-30106	1	UPPER BLADE	750MM		
8		930010-30107	1	LOWER BLADE	750MM		
9		930000-40002	2	BOLT	L-19		
10		930000-08250	4	WASHER			
11		930000-40004	1	BOLT	L-29		
12		930000-40003	2	BOLT	L-22		
13		900182-05018	1	BOLT, PLUS 5*18	5*18 W,SW		
14		900600-00006	1	WASHER 6	6		
15		900560-00006	1	NUT, LOCK	6		
16		699120-54230	1	PLATE, ANGLE			
17		900560-00006	1	NUT, LOCK	6		
18		900518-00005	2	NUT, FLANGE 5	5		
19		900212-05020	2	SCREW 5*20	+SF5*20		
20		159314-54230	1	SCREW	5*10		
21		900803-00608	1	BEARING, BALL 608	608Z		
22		610410-54230	1	CASE, GEAR (UPPER)			
23		930000-55060	1	NIPPLE			
24		900802-06000	1	BEARING, BALL 6000	6000DDU(LLU)		
25		611310-54230	1	SHAFT, P.T.O.			
26		930001-18105	1	CRANK, GEAR			

# 9. Gear Case, Cutter, Tool

No.9

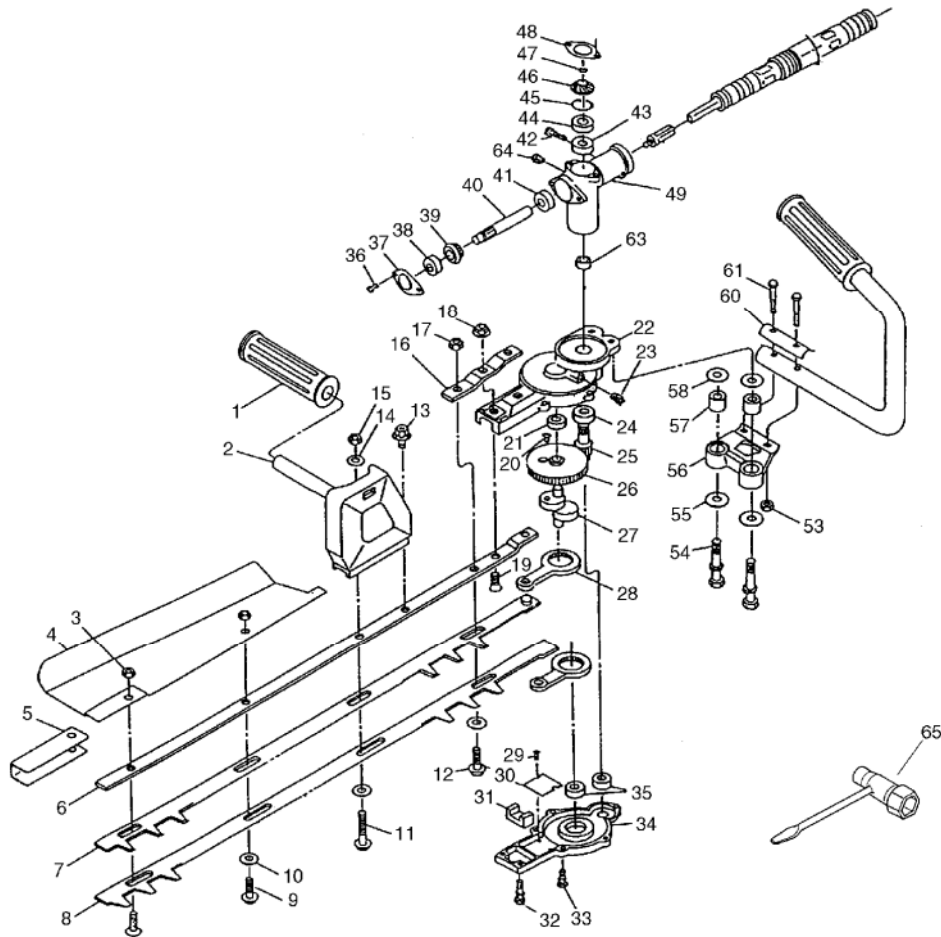


KEY	LV	PART NUMBER	Q'TY	DESCRIPTION	REMARKS	NOTE1	NOTE2
27		610327-54230	1	CAM			
28		610330-54230	2	ROD, CONNECTING			
29		900220-03005	2	SCREW (+SR 3*5)	3*5		
30		610424-55130	1	PLATE,SIDE			
31		610426-54230	1	SEAL			
32		900181-05020	2	BOLT, H.S. 5*20	5*20 SW		
33		900181-05016	5	BOLT, H.S. 5*16	5*16 SW		
34		610420-54230	1	HOUSING,GEAR (LOWER)			
35		900803-00608	2	BEARING, BALL 608	608Z		
36		900220-05008	2	SCREW 5*8	5*8		
37		610411-54230	1	HOUSING			
38		900833-00638	1	BEARING, BALL			
39		610361-54230	1	GEAR, BEVEL			
40		610310-54230	1	SHAFT, P.T.O.			
41		900803-06001	1	BEARING, BALL 6001	6001Z		
42		610257-07130	1	BOLT			
43		900801-06000	1	BEARING, BALL 6000LU	6000UL		
44		900800-06000	1	BEARING, BALL 6000	6000		
45		900702-00026	1	CIRCLIP 26	CR-26		
46		610311-54230	1	GEAR, DRIVE			
47		900700-00006	1	E-RING 6	CE-6		
48		610411-54230	1	HOUSING			
49		610460-54230	1	HOUSING, GEAR			
53		900500-00005	2	NUT 5	5		
54		900181-06025	2	BOLT, H.S. 6*25	6*25 SW		
55		699118-49830	2	WASHER			



# 9. Gear Case, Cutter, Tool

No.9



KEY	LV	PART NUMBER	Q'TY	DESCRIPTION	REMARKS	NOTE1	NOTE2
56		930001-36100	1	HANDLE HOLDER			
57		930000-73209	2	COLLAR			
58		699118-49830	2	WASHER			
60		930001-36103	1	HANDLE SUPPORTER			
61		699115-49830	2	BOLT 5*30	5*30		
63		610315-54230	1	SPACER, DRIVEN SHAFT			
64		930000-55060	1	NIPPLE			
65		895410-02830	1	WRENCH, W/S. DRIVER			

**Index**

<b>Patrs Number</b>	<b>Key No.</b>	<b>Patrs Number</b>	<b>Key No.</b>	<b>Patrs Number</b>	<b>Key No.</b>
100000-28230	1 - 13	123155-12110	7 - 6	162111-07130	4 - 4
100000-28231	1 - 13	123172-45130	7 - 21	163400-07660	8 - 28
100011-28230	1 - 12	123173-07930	7 - 22	163810-07660	8 - 33
100012-22330	1 - 16	123174-54230	7 - 34	175005-21532	4 - 15
100013-22330	1 - 14	123179-12110	7 - 3	175005-57430	4 - 15
100015-04630	1 - 15	123179-54230	7 - 30	175009-05532	4 - 18
100100-40630	1 - 33	123180-54230	7 - 7	175014-03930	6 - 36
100100-40631	1 - 33	123181-12210	7 - 8	175018-05535	4 - 17
100100-40632	1 - 33	123182-12110	7 - 18	175046-22332	4 - 16
100142-12330	1 - 32	123183-12110	7 - 17	175048-05530	4 - 19
100200-28230	1 - 28	123183-54230	7 - 16	175313-20430	4 - 11
100212-04630	1 - 34	123186-12110	7 - 19	177200-49830	2 -
100212-28230	1 - 25	130010-13410	3 - 8	177202-40630	2 - 5
100215-03930	1 - 29	130010-28231	3 - 5	177214-40630	2 - 17
100242-28230	1 - 30	130017-49730	3 - 6	177215-40630	2 - 18
101010-28231	1 - 11	130111-00530	5 - 7	177218-40630	2 - 9
101011-40630	1 - 9	130300-49830	3 - 11	177220-40630	2 - 22
101511-07660	1 - 20	130310-07160	3 - 13	177226-10120	2 - 19
101514-28231	1 - 8	130313-12110	3 - 14	177228-06530	2 - 21
101538-28230	1 - 23	130314-12110	3 - 12	177232-28231	2 - 23
104807-48231	6 - 34	130327-44330	3 - 15	177234-40630	2 - 8
104908-45631	6 - 32	131004-55830	5 - 17	177236-40630	2 - 16
104940-47430	6 - 42	131005-45630	5 - 12	177266-10120	2 - 39
104940-48230	6 - 44	131016-55830	5 - 18	177267-10120	2 - 38
104941-48430	6 - 43	131200-21330	5 - 11	177268-10120	2 - 35
104942-47430	6 - 41	131205-19830	5 - 11	177269-10120	2 - 40
123000-54230	3 - 9	131300-56430	5 - 5	177270-10121	2 - 34
123000-54230	7 -	131328-40630	5 - 6	177271-49830	2 - 32
123111-12110	7 - 5	131910-45630	6 - 31	177272-10120	2 - 33
123112-12110	7 - 29	131920-28230	5 - 16	178001-07660	8 - 32
123114-40630	7 - 11	132010-45630	5 - 9	178001-49830	3 - 16
123116-54230	7 - 14	132012-49730	5 - 4	178010-07660	8 - 30
123120-54230	7 - 36	132021-49830	5 - 8	178012-02061	8 - 8
123121-22130	7 - 35	145510-28231	3 - 21	178013-02060	8 - 7
123122-05560	7 - 25	145610-45630	3 - 22	178021-05530	8 - 13
123123-03930	7 - 26	145621-45630	3 - 26	178024-01260	8 - 26
123125-12110	7 - 28	145642-04930	3 - 23	178024-01261	8 - 26
123126-10631	7 - 20	156111-49830	8 - 38	178043-01260	8 - 29
123128-54230	7 - 12	156112-28230	4 - 25	178049-06630	8 - 14
123134-40030	7 - 15	156112-40630	4 - 25	178052-01260	8 - 31
123137-19830	7 - 24	156626-28230	4 - 24	178052-01261	8 - 31
123138-03930	7 - 33	156801-28230	4 - 20	178070-02060	8 - 6
123139-05560	7 - 27	159010-10630	4 - 28	178070-02061	8 - 6
123140-12110	7 - 1	159011-03432	4 - 27	178114-05630	8 - 15
123141-03930	7 - 2	159012-03433	4 - 26	178120-07660	8 - 36
123142-12210	7 - 9	159112-49830	8 - 34	178121-07660	8 - 21
123143-12110	7 - 23	159314-54230	9 - 20	178128-05630	8 - 12
123144-54230	7 - 10	162000-49830	8 - 37	178133-22330	8 - 11
123149-12110	7 - 4	162110-07660	8 - 9	300010-48230	6 - 21

**Index**

<b>Patrs Number</b>	<b>Key No.</b>	<b>Patrs Number</b>	<b>Key No.</b>	<b>Patrs Number</b>	<b>Key No.</b>
300010-48231	6 - 21	895410-02830	9 - 65	900700-00004	2 - 6
300105-27630	6 - 7	900100-06008	4 - 5	900700-00005	8 - 35
300200-27630	6 - 8	900100-06016	6 - 38	900700-00006	9 - 47
300220-20430	6 - 15	900105-05012	6 - 33	900701-00012	4 - 12
300226-27631	6 - 18	900105-05050	3 - 24	900702-00026	9 - 45
300300-45630	6 - 5	900181-05016	9 - 33	900702-00028	1 - 26
300319-01611	6 - 6	900181-05020	9 - 32	900702-00028	4 - 14
300610-22030	6 - 20	900181-06025	9 - 54	900720-00018	8 - 18
300616-22030	6 - 19	900182-05018	9 - 13	900720-00018	8 - 18
300711-27630	6 - 12	900212-05020	9 - 19	900800-06000	9 - 44
300713-27630	6 - 11	900220-03005	9 - 29	900800-36001	1 - 31
300715-27630	6 - 9	900220-05008	9 - 36	900801-06000	9 - 43
300716-27630	6 - 13	900220-05016	5 - 15	900802-06000	9 - 24
300717-27630	6 - 10	900242-04008	4 - 7	900803-00608	9 - 21
351210-07661	8 - 10	900242-04008	6 - 30	900803-00608	9 - 35
351311-28330	8 - 5	900242-04010	1 - 7	900803-06001	9 - 41
610010-07660	8 - 16	900242-04010	3 - 25	900808-06001	4 - 13
610010-48230	8 - 16	900242-04014	2 - 24	900833-00638	9 - 38
610013-28630	8 - 22	900242-04016	1 - 22	930000-08250	9 - 10
610209-28631	8 - 20	900242-04020	4 - 29	930000-08345	9 - 1
610215-46830	8 - 19	900242-05010	3 - 27	930000-27145	9 - 5
610223-27631	4 - 6	900242-05012	6 - 14	930000-30114	9 - 4
610250-45930	4 - 3	900242-05016	1 - 10	930000-30141	9 - 2
610251-45930	4 - 10	900242-05016	4 - 8	930000-40002	9 - 9
610252-45931	4 - 9	900242-05020	3 - 7	930000-40003	9 - 12
610257-07130	9 - 42	900242-05028	1 - 27	930000-40004	9 - 11
610310-54230	9 - 40	900242-05040	6 - 40	930000-55060	9 - 23
610311-54230	9 - 46	900242-05064	3 - 19	930000-55060	9 - 64
610315-54230	9 - 63	900245-04025	8 - 25	930000-73209	9 - 57
610327-54230	9 - 27	900245-04030	8 - 27	930001-18105	9 - 26
610330-54230	9 - 28	900500-00004	2 - 37	930001-36100	9 - 56
610335-49830	8 - 17	900500-00005	3 - 4	930001-36103	9 - 60
610361-54230	9 - 39	900500-00005	9 - 53	930001-36116	9 - 6
610410-54230	9 - 22	900502-00006	3 - 17	930010-30106	9 - 7
610411-54230	9 - 37	900502-00008	2 - 10	930010-30107	9 - 8
610411-54230	9 - 48	900502-00008	4 - 23	C061-000050	6 - 5
610420-54230	9 - 34	900518-00005	9 - 18	V553-000040	1 - 16
610424-55130	9 - 30	900560-00006	9 - 3		
610426-54230	9 - 31	900560-00006	9 - 15		
610460-54230	9 - 49	900560-00006	9 - 17		
611310-54230	9 - 25	900600-00006	9 - 14		
699115-49830	9 - 61	900600-00008	4 - 21		
699118-49830	9 - 55	900603-00005	5 - 10		
699118-49830	9 - 58	900603-00005	5 - 13		
699120-54230	9 - 16	900605-00004	2 - 36		
880517-28230	1 - 35	900605-00005	5 - 14		
890112-07660	1 - 21	900605-00005	6 - 45		
890118-49130	2 - 25	900605-00006	6 - 37		
890124-07130	8 - 40	900605-00008	4 - 22		

# YAMABIKO CORPORATION

7-2 SUEHIROCHO 1-CHOME, OHME, TOKYO 198-8760, JAPAN  
PHONE: 81-428-32-6118. FAX: 81-428-32-6145.



T230  
No.