

shindaiwa[®]

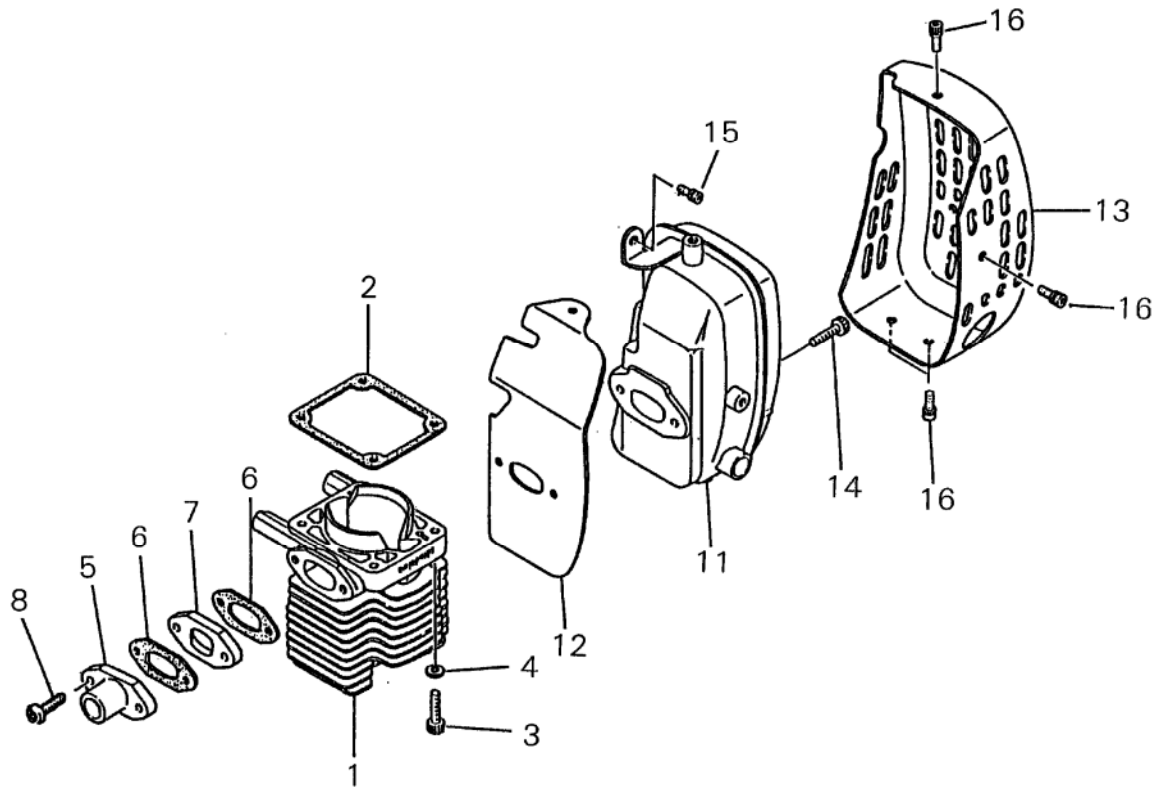
PARTS CATALOGUE

BRUSHCUTTER

R35F R40F-T

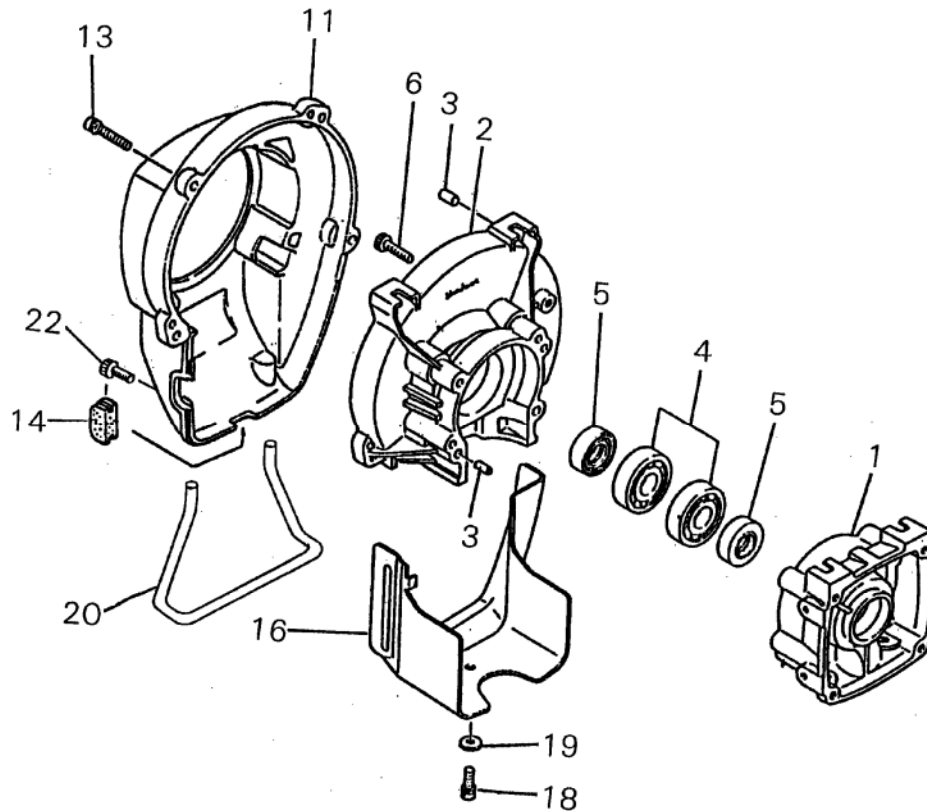
R35F R40F-T

1. CYLINDER, MUFFLER



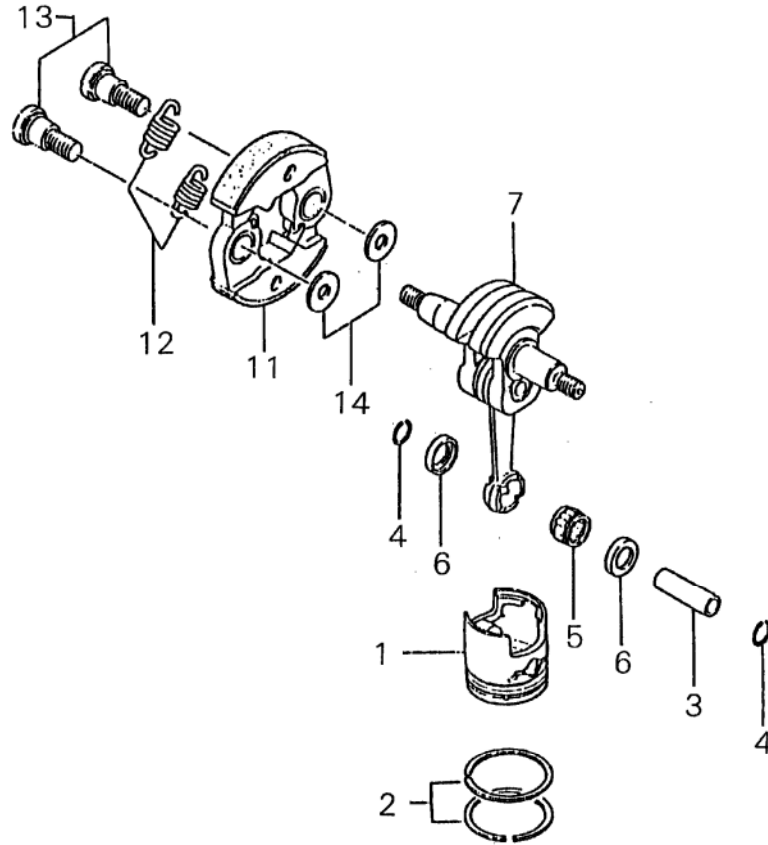
KEY	LV	PART NUMBER	Q'TY	DESCRIPTION	REMARKS	NOTE1	NOTE2
1		20010-12111	1	CYLINDER			
2		20010-12121	1	GASKET CYLINDER			
3		01020-05250	4	BOLT		M5x25	
4		01600-05131	4	SPRING WASHER		5mm	
5		20010-12211	1	INLET PIPE			
6		20010-12220	2	GASKET INLET			
7		20010-12230	1	INSULATOR			
8		11210-05200	2	SCREW BUTTON		M5x20	
17		20010-15001	1	MUFFLER ASSY			
11		20010-15111	1	MUFFLER			
12		20010-15211	1	GASKET MUFFLER			
13		20010-15311	1	MUFFLER GUARD			
14		01020-06250	2	BOLT		M6x25	
15		11024-05120	1	BOLT SLPW		M5x12	
16		11024-05100	4	BOLT SLPW		M5x10	

2. CRANKCASE, FANCOVER



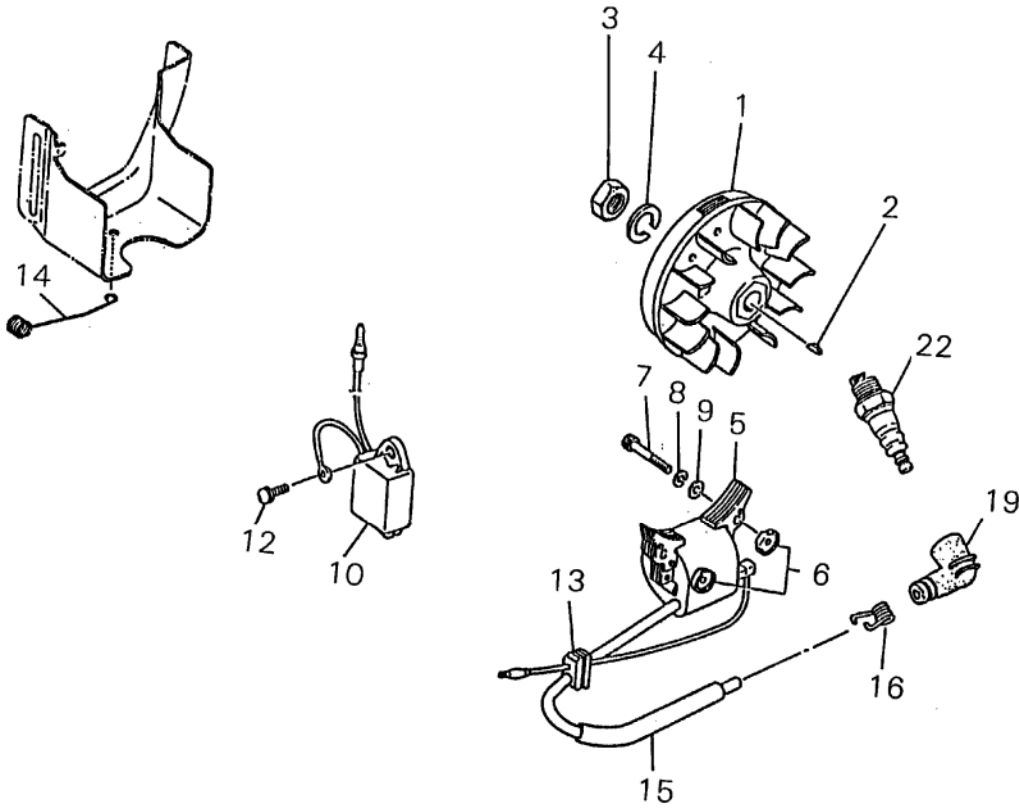
KEY	LV	PART NUMBER	Q'TY	DESCRIPTION	REMARKS	NOTE1	NOTE2
1		20010-21110	1	CRANK CASE S			
2		20010-21121	1	CRANK CASE M			
3		12492-50100	4	ROLLER		φ5xL10	
4		12900-62020	2	BEARING		6202,C3	
5		20010-21211	2	OIL SEAL			
6		01020-05300	4	BOLT		M5x30	
11		70017-31110	1	FAN COVER			
13		11022-05200	4	BOLT SPW		M5x20	
14		20010-72140	1	GROMMET			
16		20010-31211	1	CYLINDER COVER			
18		11020-05140	1	BOLT SW		M5x14	
19		20014-31220	1	WASHER			
20		70053-31310	1	STAND			
22		01020-05100	2	BOLT		M5x10	

3. CRANKSHAFT, CLUTCH



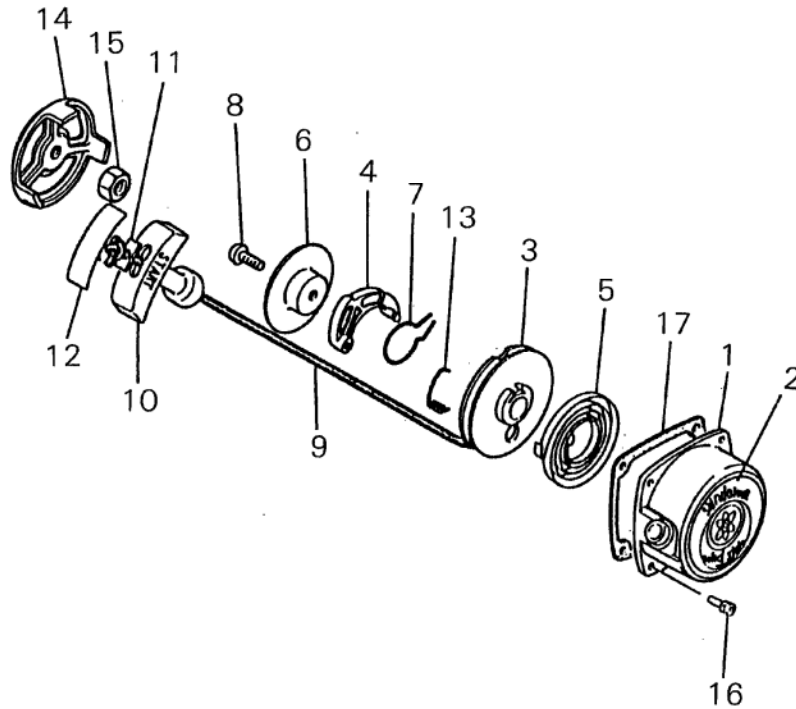
KEY	LV	PART NUMBER	Q'TY	DESCRIPTION	REMARKS	NOTE1	NOTE2
1		20010-41111	1	PISTON			
2		20010-41210	2	PISTON RING			
3		20010-41310	1	PISTON PIN			
4		22100-41230	2	SNAP RING			
5		20010-41330	1	NEEDLE BEARING			
6		70200-41341	1	THRUST WASHER			
7		20010-42002	1	CRANK SHAFT ASSY			
15		20014-51101	1	CLUTCH SHOE ASSY			
11	•	20014-51111	2	CLUTCH SHOE			
12	•	20010-51120	2	CLUTCH SPRING			
13	•	20014-51130	2	CLUTCH BOLT			
14	•	20010-51141	2	WASHER			

4. MAGNETO



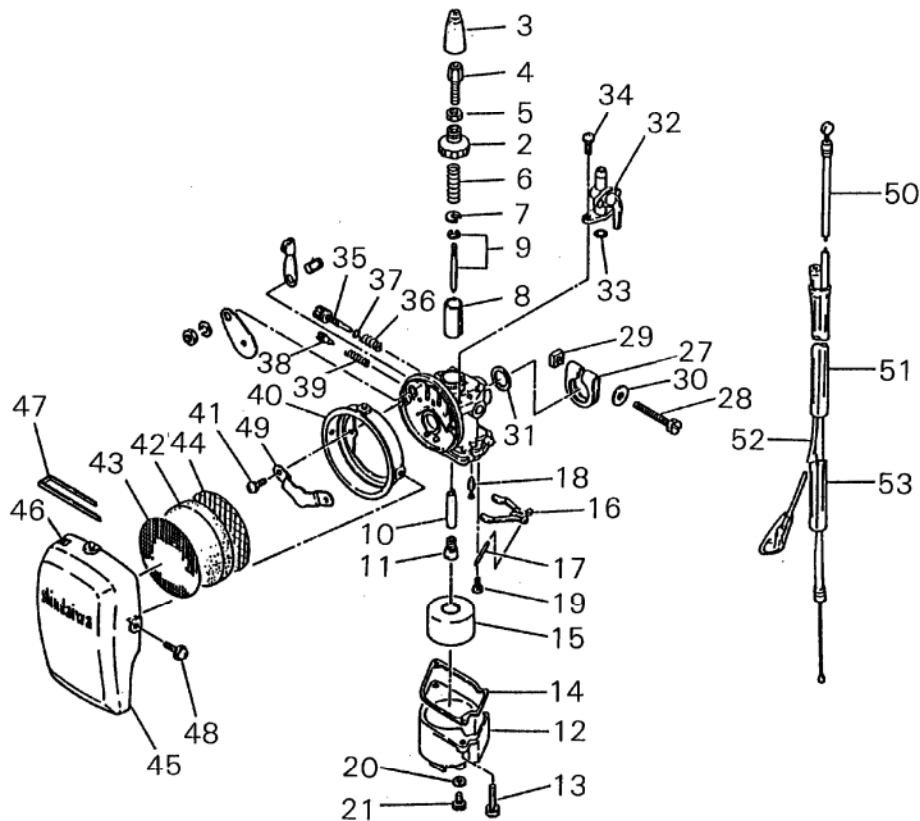
KEY	LV	PART NUMBER	Q'TY	DESCRIPTION	REMARKS	NOTE1	NOTE2
1		20010-71201	1	ROTOR			
2		02403-03100	1	KEY	3*10	3x10	
3		01511-10061	1	NUT		M10	
4		01600-10251	1	SPRING WASHER		10mm	
5		20010-71612	1	COIL			
6		20010-71631	2	SPACER COIL			
7		11024-04261	2	BOLT		M4x26-12.9	
10		72920-71711	1	UNIT			
12		11024-04120	2	BOLT SPW		M4x12	
13		20010-72110	1	GROMMET			
14		20014-72120	1	CORD CLIP			
15		20010-72131	1	PIPE SUPPORT			
16		20000-72230	1	SPRING SPARK PLUG			
19		22102-72220	1	PLUG CAP			
22		CJ-8	1	SPARK PLUG CJ-8			

5. RECOIL STARTER



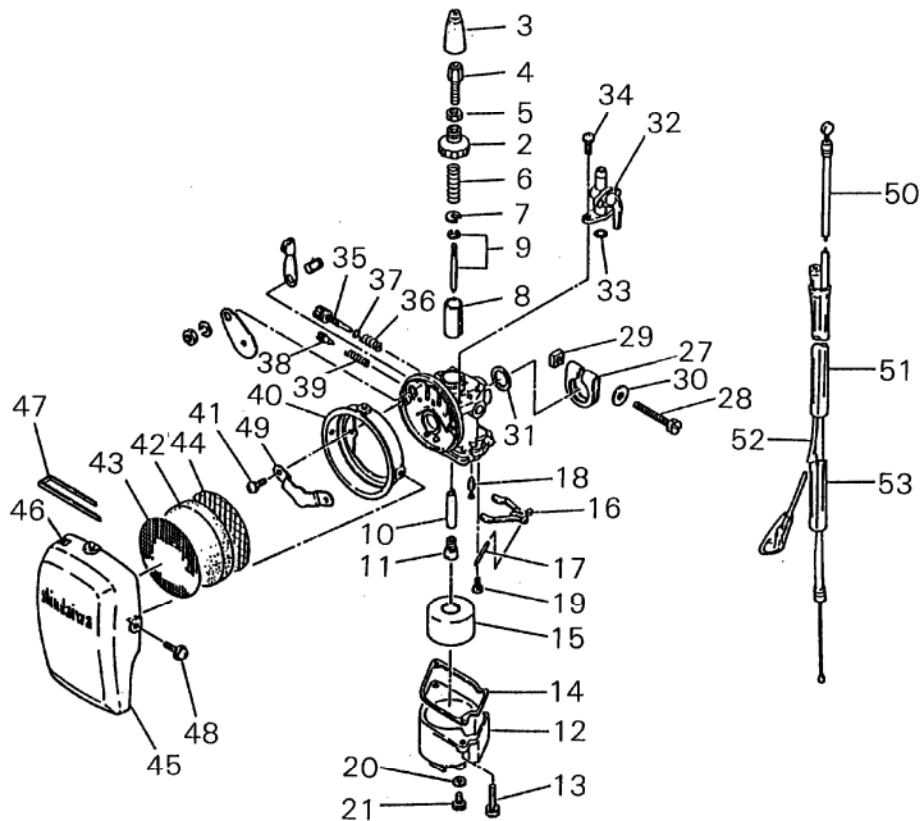
KEY	LV	PART NUMBER	Q'TY	DESCRIPTION	REMARKS	NOTE1	NOTE2
18		7019575100	1	RECOIL STARTER-SA			
1	•	70012-75110	1	STARTER CASE			
2	•	70005-75240	1	NAME PLATE			
3	•	20000-75120	1	REEL			
4	•	20000-75130	1	RATCHET			
5	•	20000-75140	1	RECOIL SPRING			
6	•	20000-75150	1	PLATE FRICTION			
7	•	20000-75160	1	SPRING FRICTION			
8	•	20000-75170	1	SCREW			
9	•	20000-75180	1	ROPE			
10	•	20010-75190	1	STARTER KNOB			
11	•	20010-75210	1	STOPPER			
13	•	20000-75220	1	RETURN SPRING			
12	•	20010-75230	1	TAPE			
14		70000-75230	1	STARTER PULLEY			
15		20000-76210	1	NUT		M8*H5	
16		11022-04160	4	BOLT SPW		M4x16	
17		20010-76111	1	GASKET RECOIL			

6. CARBURETOR, AIR CLEANER



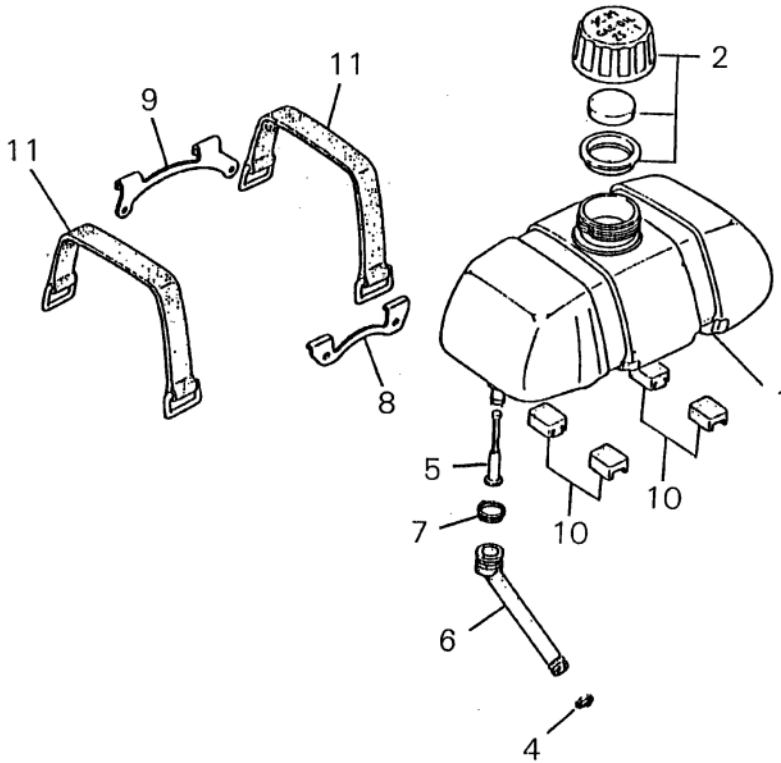
KEY	LV	PART NUMBER	Q'TY	DESCRIPTION	REMARKS	NOTE1	NOTE2
54		20014-81000	1	CARBURETOR ASSY			
55	•	20014-81020	1	CARBURETOR SUB ASSY			
2	• •	72920-81120	1	BODY CAP			
3	• •	72920-81130	1	ADJUSTER CAP			
4	• •	20000-81110	1	CABLE ADJUSTER			
5	• •	20000-81260	1	LOCK NUT			
6	• •	20000-81140	1	SPRING THROTTLE			
7	• •	20000-81150	1	SPRING RECEIVE			
8	• •	20014-81180	1	THROTTLE VALVE			
9	• •	20014-81210	1	JET NEEDLE			
10	• •	20014-81230	1	NEEDLE JET			
11	• •	20014-81240	1	MAIN JET			
12	• •	20014-81310	1	FLOAT CHAMBER			
13	• •	20014-81320	2	SCREW			
14	• •	20014-81330	1	PACKING			
15	• •	20014-81340	1	FLOAT			
16	• •	20014-81350	1	FLOAT HINGE			
17	• •	20014-81360	1	HINGE PIN			
18	• •	20014-81381	1	NEEDLE VALVE			
19	• •	20014-81390	1	SCREW			
20	• •	20010-81550	1	DRAIN GASKET			
21	• •	20010-81560	1	DRAIN SCREW			
27	• •	20014-81510	1	BAND			
28	• •	20014-81521	1	BAND BOLT			
29	• •	20014-81530	1	NUT			
30	• •	20014-81540	1	WASHER			

6. CARBURETOR, AIR CLEANER



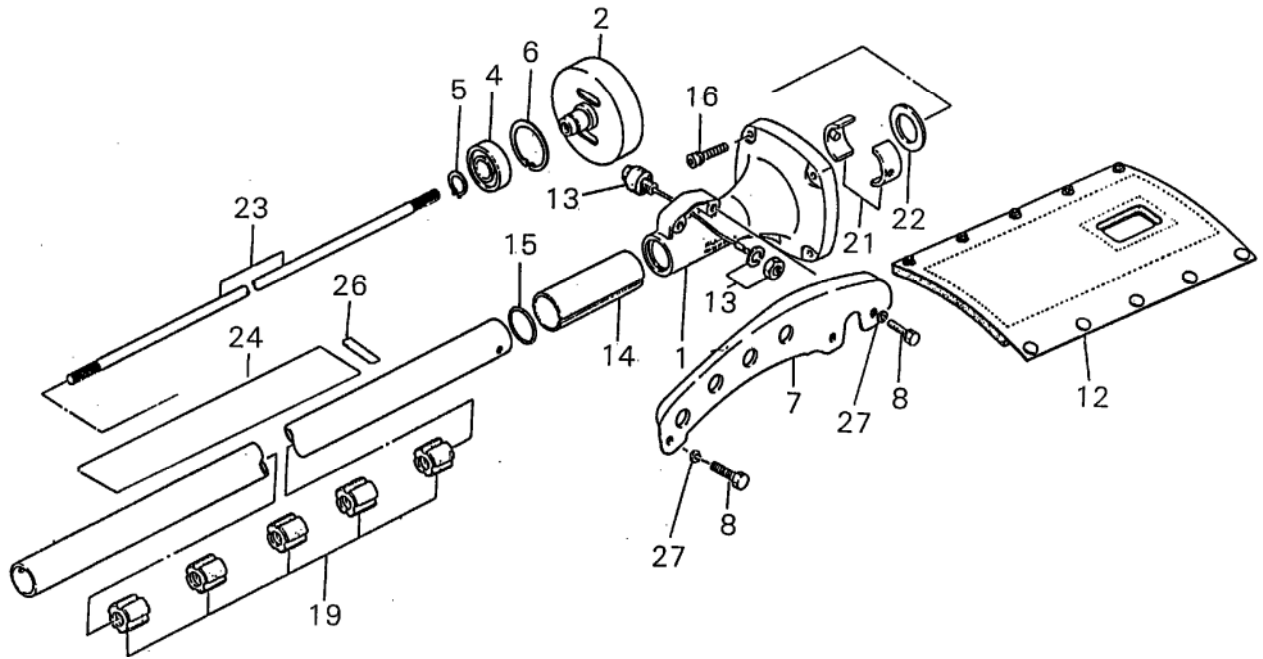
KEY	LV	PART NUMBER	Q'TY	DESCRIPTION	REMARKS	NOTE1	NOTE2
31	• •	20010-81570	1	FLANGE PACKING			
32	• •	20014-81610	1	FUEL COCK			
33	• •	20014-81620	1	O RING			
34	• •	20014-81630	2	SCREW			
35	• •	20014-81810	1	SLOW STOP SCREW			
36	• •	20010-81820	1	SPRING			
37	• •	20014-81830	1	O RING			
38	• •	20000-81330	1	SLOW AIR SCREW			
39	• •	20000-81340	1	SPRING			
56	• •	20014-81700	1	AIR CLEANER SUB ASSY			
40	• •	20010-81711	1	CLEANER BODY			
41	• •	20000-81730	2	SCREW			
42	• •	20000-81740	1	FILTER			
43	• •	20000-81750	1	NET A			
44	• •	20010-81760	1	NET B			
45	• •	20010-81771	1	CLEANER COVER			
46	• •	19404-00008	1	LABEL CHOKE			
47	•	20010-81781	1	SPRING NET			
48	•	20000-81735	3	SCREW			
49	•	20014-81790	1	PLATE			
50	•	20010-83111	1	THROTTLE CABLE			
51	•	20010-83120	1	PIPE			
52	•	20010-83130	1	EARTH CORD			
53		20014-83140	1	PIPE			

7. FUEL TANK



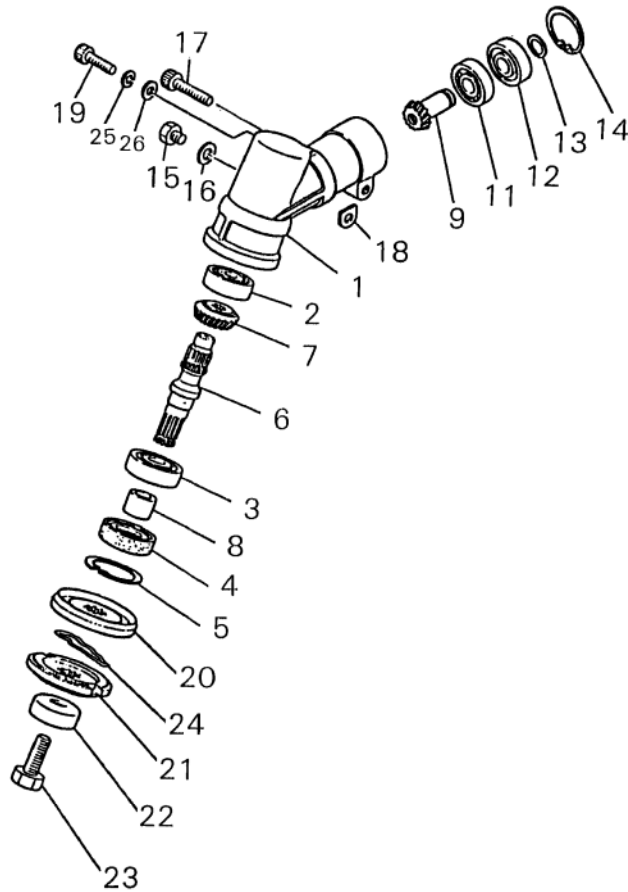
KEY	LV	PART NUMBER	Q'TY	DESCRIPTION	REMARKS	NOTE1	NOTE2
12		20014-85001	1	FUEL TANK ASSY			
1	•	20010-85111	1	FUEL TANK			
2	•	20010-85201	1	FUEL CAP ASSY			
5	•	20014-85311	1	FILTER			
4	•	20051-85570	1	CLIP A			
6	•	20014-85410	1	FUEL PIPE			
7	•	20020-85440	1	CLIP			
8		20020-86110	1	BRACKET S			
9		20010-86120	1	BRACKET M			
10		20010-86130	4	CUSHION			
11		20010-86140	2	BAND			

8. OUTER PIPE



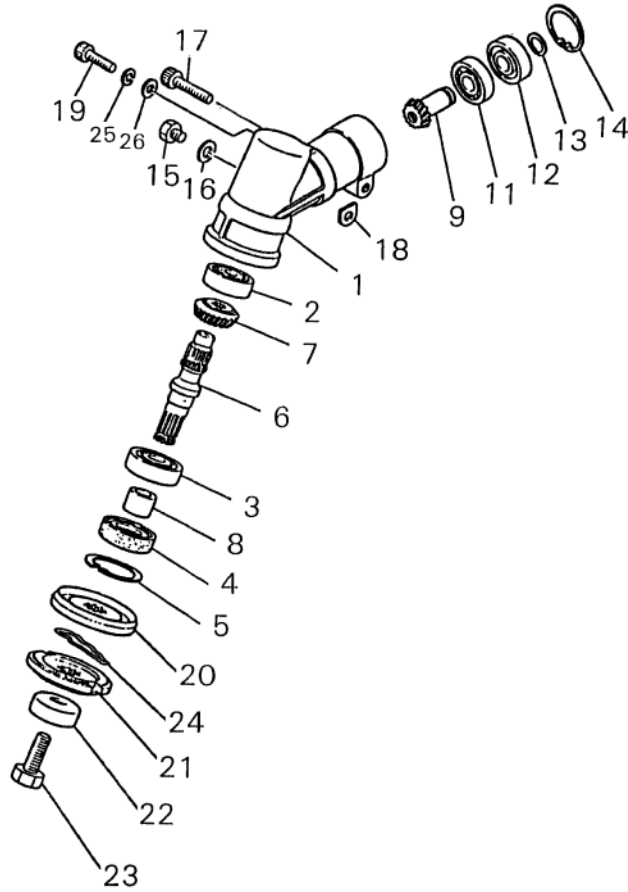
KEY	LV	PART NUMBER	Q'TY	DESCRIPTION	REMARKS	NOTE1	NOTE2
1		72413-11110	1	CLUTCH HOUSING			
28		22011-11200	1	CLUTCH DRUM ASSY			
2	•	22011-11290	1	CLUTCH DRUM SET			
4	•	02006-06202	1	BEARING		6202DDU	
5	•	02430-15100	1	SNAP RING		15mm	
6	•	02432-35150	1	SNAP RING		35mm	
7		22011-11310	1	HANGER			
8		11210-06160	2	SCREW BUTTON		M6x16	
27		01600-06151	2	SPRING WASHER		6mm	
12		22011-17110	1	PROTECTOR			
13		22011-11411	1	SWITCH			
14		22011-11510	1	SWIVEL BUSH			
15		22011-11520	1	O RING			
16		11022-06280	4	BOLT SPW		M6x28	
29		22011-12100	1	OUTER PIPE COMP			
19	•	22011-12122	5	BUSHING			
21		22011-12210	2	STOPPER			
22		22011-12221	1	THRUST PLATE			
23		22011-12410	1	MAIN SHAFT			
26		72017-12150	1	HANDLE LABEL			
30		19402-00090	1	LABEL CAUTION			
31		19422-00031	1	NAME PLATE		shindaiwa	

9. GEAR CASE



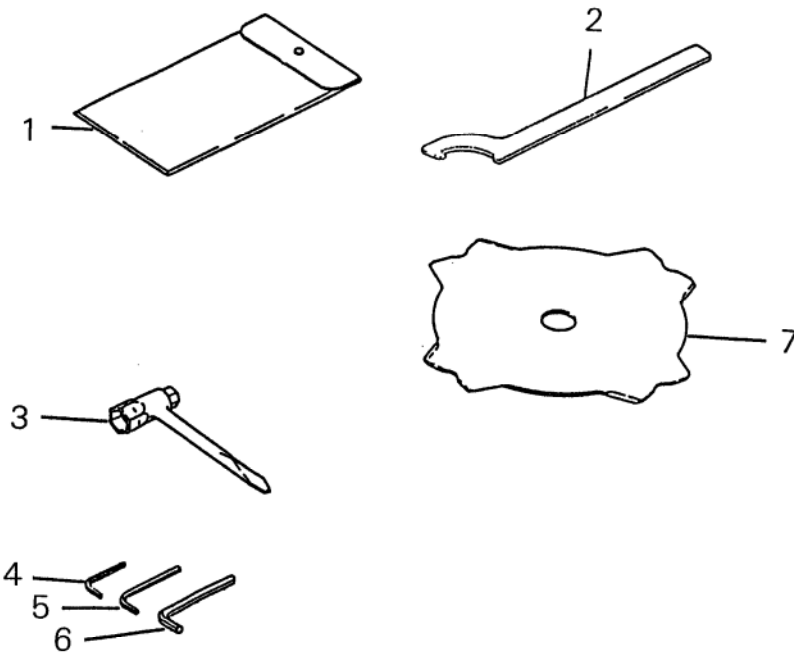
KEY	LV	PART NUMBER	Q'TY	DESCRIPTION	REMARKS	NOTE1	NOTE2
27		72062-13011	1	GEAR CASE SUB ASSY			
1	▪	22044-13112	1	GEAR CASE			
2	▪	02006-06000	1	BEARING		6000DDU	
3	▪	02000-06201	1	BEARING		6201	
4	▪	22000-13120	1	OIL SEAL			
5	▪	02432-32120	1	SNAP RING		32mm	
6	▪	22000-13212	1	GEAR SHAFT			
7	▪	22000-13220	1	BEVEL GEAR			
8	▪	22000-13230	1	COLLAR			
9	▪	22000-13390	1	BEVEL PINION SET			
11	▪	02000-06000	1	BEARING		6000	
12	▪	02002-06000	1	BALL BEARING		6000ZZ	
13	▪	22000-13320	1	SNAP RING			
14	▪	02432-26120	1	SNAP RING		26mm	
15	▪	22015-13410	1	BOLT			
16	▪	22015-13420	1	GASKET			
17	▪	11022-06280	1	BOLT SPW		M6x28	
18	▪	22011-13450	1	SHIM			
19	▪	01020-05120	1	BOLT	M5*12	M5x12	
25	▪	01600-05131	1	SPRING WASHER		5mm	
26	▪	01610-05080	1	WASHER		5mm	
20		72553-63160	1	HOLDER			
21		37019-63170	1	HOLDER			
21		22423-15390	1	HOLDER B			
22		22000-13290	1	BOLT GUARD			
23		22000-13512	1	BOLT			

9. GEAR CASE



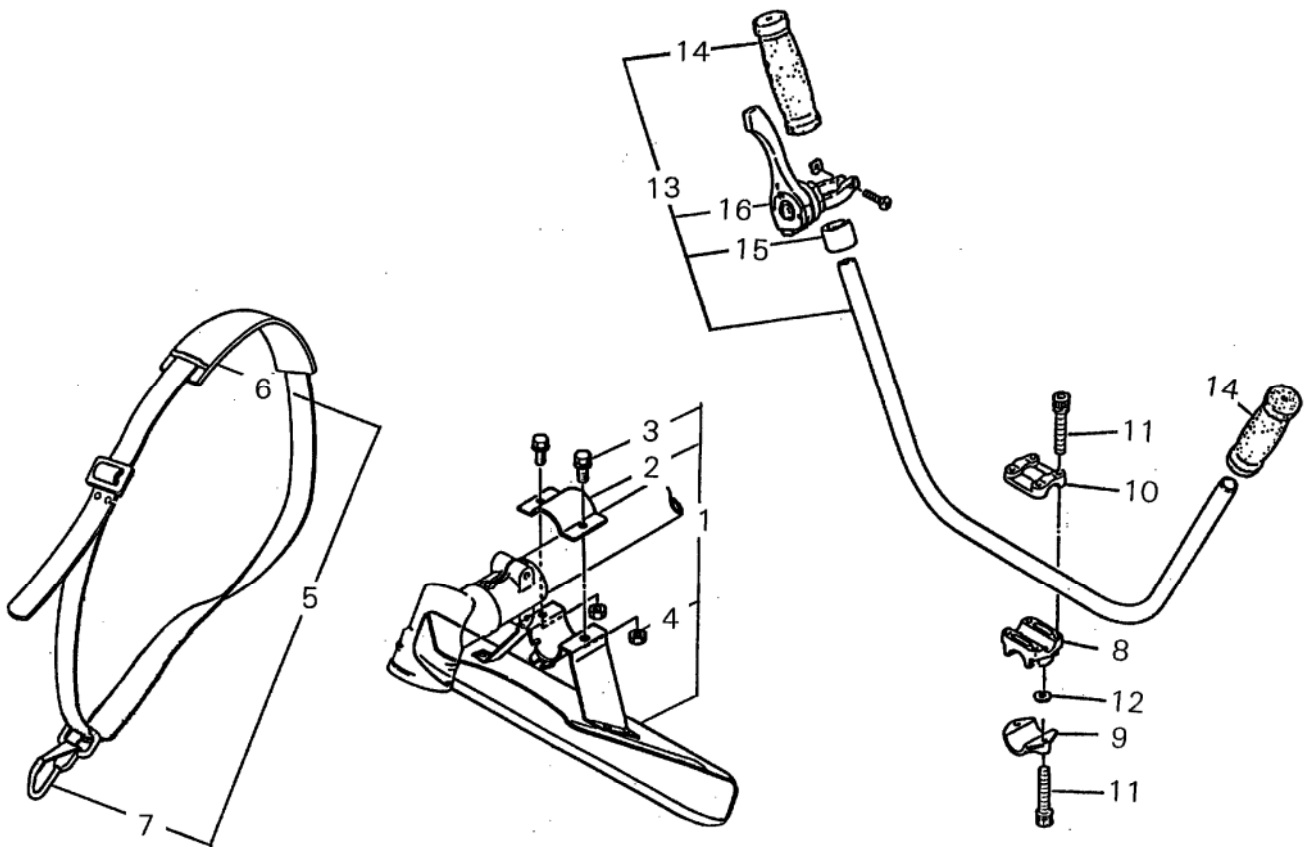
KEY	LV	PART NUMBER	Q'TY	DESCRIPTION	REMARKS	NOTE1	NOTE2
24		22000-13530	1	SLIDE PIN			

10. THROTTLE LEVER



KEY	LV	PART NUMBER	Q'TY	DESCRIPTION	REMARKS	NOTE1	NOTE2
8		62056-92010	1	TOOL SET			
1	•	19639-01400	1	BAG,PACKING	140*200*T0.08	G-8 140*200*t0.08	
3	•	22000-91181	1	PLUG WRENCH		13x19mm	
5	•	09026-04001	1	HEXA WRENCH	4MM M5㉿	4mm M5	
6	•	09026-05001	1	HEXA WRENCH 6MM		5mm M6	
7	•	22000-92147	1	EDDY SAW			

11. OPTION



KEY	LV	PART NUMBER	Q'TY	DESCRIPTION	REMARKS	NOTE1	NOTE2
1		34002-66310	1	GUARD ASSY			
2	•	22000-16129	1	GUARD CLAMP			
3	•	11020-05160	2	BOLT SW		M5x16	
4	•	01500-05041	2	NUT	M5	M5	
5		22410-17202	1	STRAP ASSY			
6	•	22007-17220	1	PROTECTOR			
7	•	37013-67310	1	HOOK			
17		34000-64020	1	BRACKET ASSY			
8	•	34000-64110	1	BRACKET			
9	•	34000-64120	1	LOWER CAP			
10	•	34004-64130	1	UPPER CAP			
11	•	11022-05250	6	BOLT SPW		M5x25	
12	•	01610-05080	1	WASHER		5mm	
13		22011-14202	1	HANDLE SUB ASSY			
18	•	22011-97611	1	HANDLE COMP			
14	•	34004-64234	2	GRIP			
15	•	22011-14430	1	COLLAR			
16	•	22011-14440	1	THROTTLE LEVER			

Index

Patrs Number	Key No.	Patrs Number	Key No.	Patrs Number	Key No.
01020-05100	2 - 22	20000-75160	5 - 7	20010-81760	6 - 44
01020-05120	9 - 19	20000-75170	5 - 8	20010-81771	6 - 45
01020-05250	1 - 3	20000-75180	5 - 9	20010-81781	6 - 47
01020-05300	2 - 6	20000-75220	5 - 13	20010-81820	6 - 36
01020-06250	1 - 14	20000-76210	5 - 15	20010-83111	6 - 50
01500-05041	11 - 4	20000-81110	6 - 4	20010-83120	6 - 51
01511-10061	4 - 3	20000-81140	6 - 6	20010-83130	6 - 52
01600-05131	1 - 4	20000-81150	6 - 7	20010-85111	7 - 1
01600-05131	9 - 25	20000-81260	6 - 5	20010-85201	7 - 2
01600-06151	8 - 27	20000-81330	6 - 38	20010-86120	7 - 9
01600-10251	4 - 4	20000-81340	6 - 39	20010-86130	7 - 10
01610-05080	9 - 26	20000-81730	6 - 41	20010-86140	7 - 11
01610-05080	11 - 12	20000-81735	6 - 48	20014-31220	2 - 19
02000-06000	9 - 11	20000-81740	6 - 42	20014-51101	3 - 15
02000-06201	9 - 3	20000-81750	6 - 43	20014-51111	3 - 11
02002-06000	9 - 12	20010-12111	1 - 1	20014-51130	3 - 13
02006-06000	9 - 2	20010-12121	1 - 2	20014-72120	4 - 14
02006-06202	8 - 4	20010-12211	1 - 5	20014-81000	6 - 54
02403-03100	4 - 2	20010-12220	1 - 6	20014-81020	6 - 55
02430-15100	8 - 5	20010-12230	1 - 7	20014-81180	6 - 8
02432-26120	9 - 14	20010-15001	1 - 17	20014-81210	6 - 9
02432-32120	9 - 5	20010-15111	1 - 11	20014-81230	6 - 10
02432-35150	8 - 6	20010-15211	1 - 12	20014-81240	6 - 11
09026-04001	10 - 5	20010-15311	1 - 13	20014-81310	6 - 12
09026-05001	10 - 6	20010-21110	2 - 1	20014-81320	6 - 13
11020-05140	2 - 18	20010-21121	2 - 2	20014-81330	6 - 14
11020-05160	11 - 3	20010-21211	2 - 5	20014-81340	6 - 15
11022-04160	5 - 16	20010-31211	2 - 16	20014-81350	6 - 16
11022-05200	2 - 13	20010-41111	3 - 1	20014-81360	6 - 17
11022-05250	11 - 11	20010-41210	3 - 2	20014-81381	6 - 18
11022-06280	8 - 16	20010-41310	3 - 3	20014-81390	6 - 19
11022-06280	9 - 17	20010-41330	3 - 5	20014-81510	6 - 27
11024-04120	4 - 12	20010-42002	3 - 7	20014-81521	6 - 28
11024-04261	4 - 7	20010-51120	3 - 12	20014-81530	6 - 29
11024-05100	1 - 16	20010-51141	3 - 14	20014-81540	6 - 30
11024-05120	1 - 15	20010-71201	4 - 1	20014-81610	6 - 32
11210-05200	1 - 8	20010-71612	4 - 5	20014-81620	6 - 33
11210-06160	8 - 8	20010-71631	4 - 6	20014-81630	6 - 34
12492-50100	2 - 3	20010-72110	4 - 13	20014-81700	6 - 56
12900-62020	2 - 4	20010-72131	4 - 15	20014-81790	6 - 49
19402-00090	8 - 30	20010-72140	2 - 14	20014-81810	6 - 35
19404-00008	6 - 46	20010-75190	5 - 10	20014-81830	6 - 37
19422-00031	8 - 31	20010-75210	5 - 11	20014-83140	6 - 53
19639-01400	10 - 1	20010-75230	5 - 12	20014-85001	7 - 12
20000-72230	4 - 16	20010-76111	5 - 17	20014-85311	7 - 5
20000-75120	5 - 3	20010-81550	6 - 20	20014-85410	7 - 6
20000-75130	5 - 4	20010-81560	6 - 21	20020-85440	7 - 7
20000-75140	5 - 5	20010-81570	6 - 31	20020-86110	7 - 8
20000-75150	5 - 6	20010-81711	6 - 40	20051-85570	7 - 4

Index

Patrs Number	Key No.	Patrs Number	Key No.	Patrs Number	Key No.
22000-13120	9 - 4	70017-31110	2 - 11		
22000-13212	9 - 6	70053-31310	2 - 20		
22000-13220	9 - 7	7019575100	5 - 18		
22000-13230	9 - 8	70200-41341	3 - 6		
22000-13290	9 - 22	72017-12150	8 - 26		
22000-13320	9 - 13	72062-13011	9 - 27		
22000-13390	9 - 9	72413-11110	8 - 1		
22000-13512	9 - 23	72553-63160	9 - 20		
22000-13530	9 - 24	72920-71711	4 - 10		
22000-16129	11 - 2	72920-81120	6 - 2		
22000-91181	10 - 3	72920-81130	6 - 3		
22000-92147	10 - 7	CJ-8	4 - 22		
22007-17220	11 - 6				
22011-11200	8 - 28				
22011-11290	8 - 2				
22011-11310	8 - 7				
22011-11411	8 - 13				
22011-11510	8 - 14				
22011-11520	8 - 15				
22011-12100	8 - 29				
22011-12122	8 - 19				
22011-12210	8 - 21				
22011-12221	8 - 22				
22011-12410	8 - 23				
22011-13450	9 - 18				
22011-14202	11 - 13				
22011-14430	11 - 15				
22011-14440	11 - 16				
22011-17110	8 - 12				
22011-97611	11 - 18				
22015-13410	9 - 15				
22015-13420	9 - 16				
22044-13112	9 - 1				
22100-41230	3 - 4				
22102-72220	4 - 19				
22410-17202	11 - 5				
22423-15390	9 - 21				
34000-64020	11 - 17				
34000-64110	11 - 8				
34000-64120	11 - 9				
34002-66310	11 - 1				
34004-64130	11 - 10				
34004-64234	11 - 14				
37013-67310	11 - 7				
37019-63170	9 - 21				
62056-92010	10 - 8				
70000-75230	5 - 14				
70005-75240	5 - 2				
70012-75110	5 - 1				

YAMABIKO CORPORATION

7-2 SUEHIROCHO 1-CHOME, OHME, TOKYO 198-8760, JAPAN
PHONE: 81-428-32-6118. FAX: 81-428-32-6145.

shindaiwa[®]

0F-T
No.