



PARTS CATALOGUE

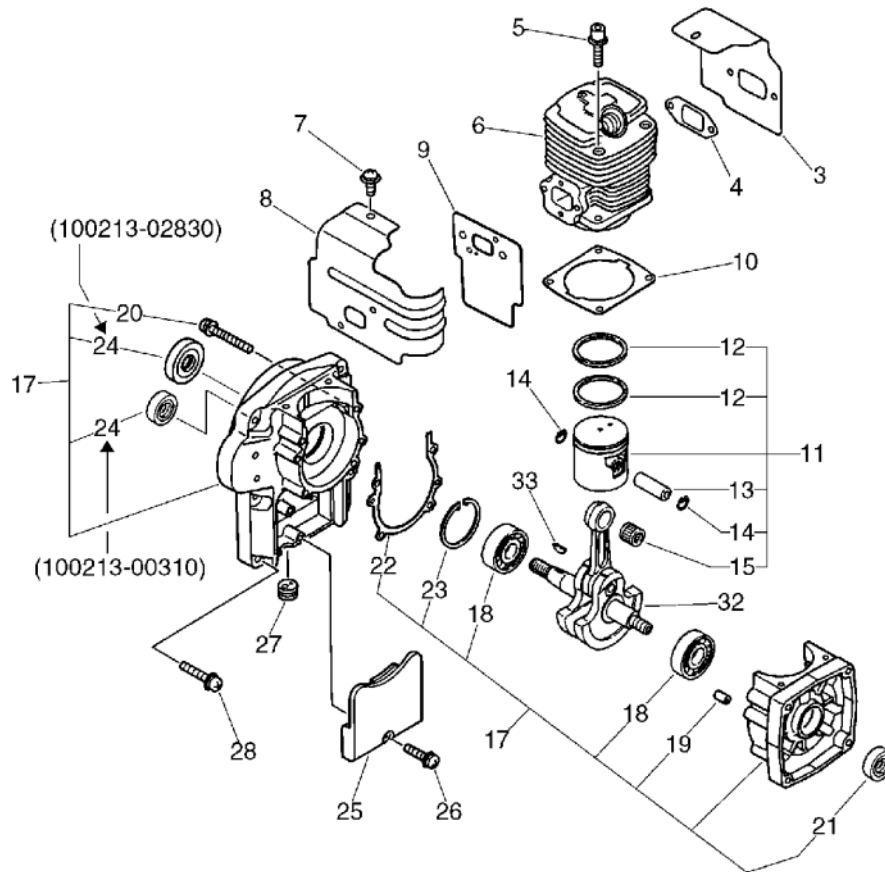
BACKPACK BLOWER

PB-4600(35)

1 - 1

1. Cylinder, Crankcase, Piston

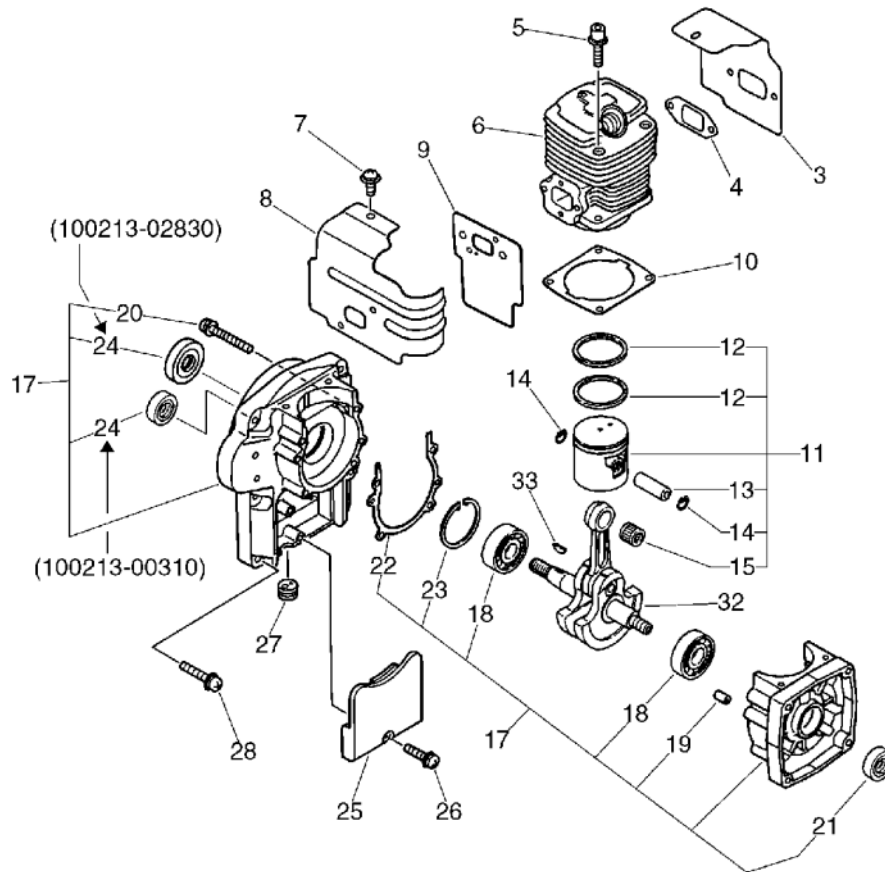
No.1



KEY	LV	PART NUMBER	Q'TY	DESCRIPTION	REMARKS	NOTE1	NOTE2
3		101576-08260	1	COVER, CYLINDER			
4		145510-06210	1	GASKET, MUFFLER		Sus. by 145510-06211	
4		145510-06211	1	GASKET, MUFFLER			
5		900162-05020	4	BOLT, H.S. 5*20	5*20 W,SW	Sus. by 900162-05022	
5		900162-05022	4	BOLT, H.S. 5*22	5*22 W,SW		
6		101011-08260	1	CYLINDER		Sus. by 101011-08261	
6		101011-08261	1	CYLINDER		Sr/Nr 101223 and before	
6		A130-000210	1	CYLINDER		Sr/Nr 101224 and after	
7		900238-05010	1	SCREW 5*10	5*10		
8		101514-08260	1	COVER, CYLINDER			
9		130016-06210	1	GASKET, INTAKE		Sus. by 130016-06211	
9		130016-06211	1	GASKET, INTAKE			
10		101010-10721	1	GASKET, CYL. BASE		Sus. by 101010-10722	
10		101010-10722	1	GASKET, CYL. BASE			
11		100000-03210	1	PISTON KIT		Sr/Nr 101223 and before	
11		P021-002540	1	PISTON KIT		Sr/Nr 101224 and after	
12	+	100011-10530	2	RING, PISTON			

1. Cylinder, Crankcase, Piston

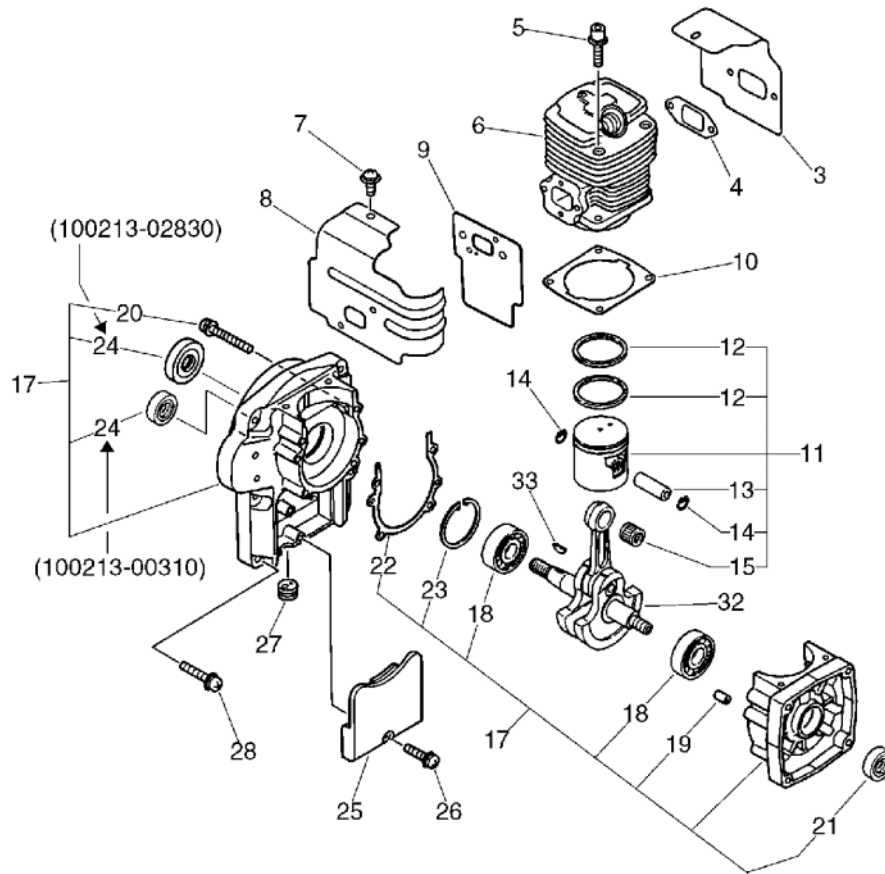
No.1



KEY	LV	PART NUMBER	Q'TY	DESCRIPTION	REMARKS	NOTE1	NOTE2
13	+	100013-00410	1	PIN, PISTON	6*10*29.8		
14	+	100015-00120	2	CIRCLIP, PISTON PIN			
15	+	100012-12330	1	BEARING, NEEDLE		Sus. by 100012-12331	
15	+	100012-12331	1	BEARING, NEEDLE			
17		100204-08260	1	CRANKCASE KIT		Sus. by 100204-08261	
17		100204-08261	1	CRANKCASE KIT			
18	+	900810-36202	2	BEARING, BALL 6202	6202/C3		
19	+	100215-03930	2	PIN, DOWEL			
20	+	900238-05040	4	SCREW 5*40	5*40	Sus. by 900162-05040	
20	+	900162-05040	4	BOLT, H.S. 5*40	5*40 W,SW		
21	+	100213-00310	1	OILSEAL	ISCD 15 25 7		
22	+	100242-10720	1	GASKET, CRANKCASE		Sus. by 100242-10721	
22	+	100242-10721	1	GASKET, CRANKCASE			
23	+	900702-00035	1	CIRCLIP 35	CR-35	Sr/Nr 094668 and before	
24	+	100213-02830	1	OILSEAL	ISMx15,35,6	Sr/Nr 094668 and before	
24	+	100213-00310	1	OILSEAL	ISCD 15 25 7	Sr/Nr 094669 and after	
25		159129-08260	1	COVER, DUST			
26		900238-05018	1	SCREW 5*18	5*18		
27		151112-04630	1	BUSHING			

1. Cylinder, Crankcase, Piston

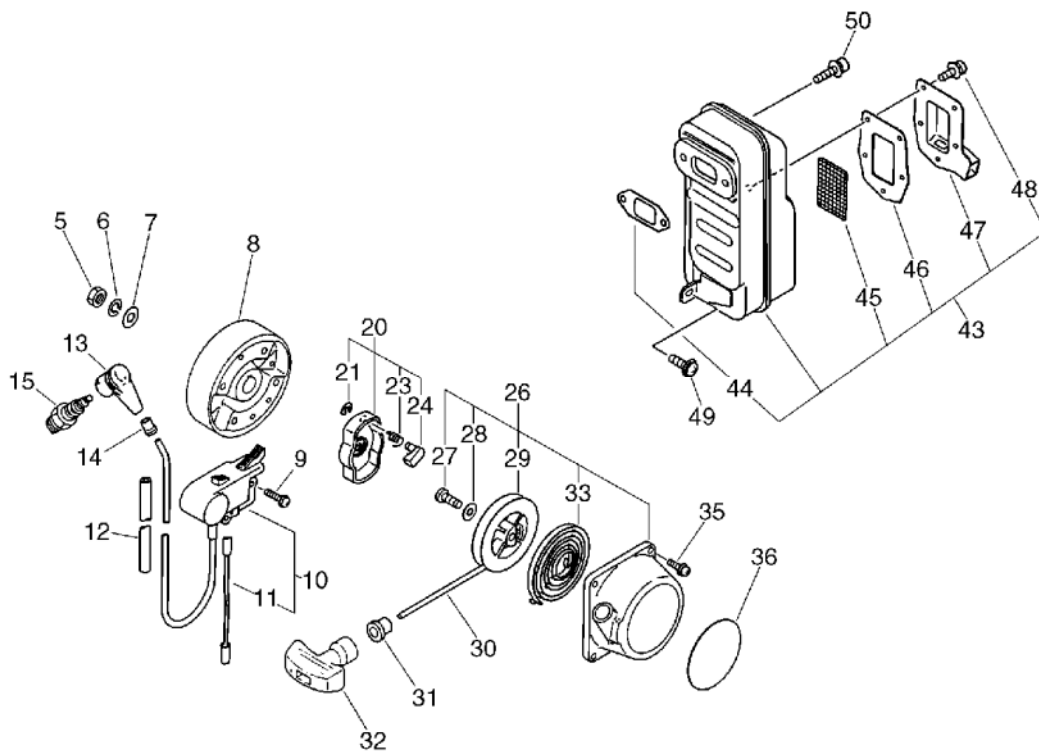
No.1



KEY	LV	PART NUMBER	Q'TY	DESCRIPTION	REMARKS	NOTE1	NOTE2
28		900162-05032	6	BOLT, H.S. 5*32	5*32 W,SW		
32		100100-06210	1	CRANKSHAFT ASSY			
33		900323-03014	1	KEY WOODRUFF	3*14		

2. Starter, Magneto, Muffler

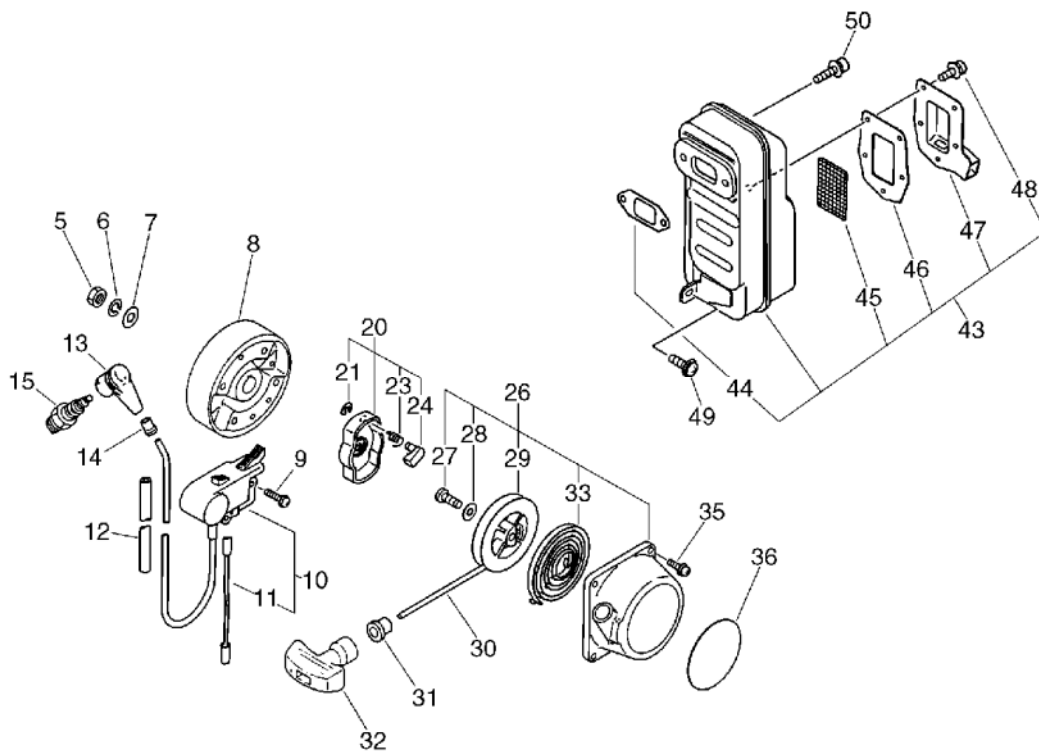
No.2



KEY	LV	PART NUMBER	Q'TY	DESCRIPTION	REMARKS	NOTE1	NOTE2
5		900501-00010	1	NUT 10*1.25	10*P1.25		
6		900605-00010	1	WASHER, SPRING 10	10		
7		900602-00010	1	WASHER 10(10.5*21*2)	10.5*21*2		
8		156800-06160	1	ROTOR, MAGNETO		Sus. by 156800-06161	
8		156800-06161	1	ROTOR, MAGNETO			
9		900238-05018	2	SCREW 5*18	5*18		
10		156601-08260	1	C.D.IGNITION MODULE		Sus. by 156601-09861	
10		156601-09860	1	C.D. IGNITION MODULE		Sus. by 156601-09861	
10		156601-09861	1	C.D.I. MODULE W/LEAD			
11	+	162021-08260	1	LEAD	180L	Sr/Nr 095526 and after	
12		156111-06160	1	TUBE 6.3*8*380	6.3*8*380		
13		159012-10230	1	CAP, SPARK PLUG			
14		159016-05330	1	ADAPTER, PLUG CAP			
15		159010-19630	1	PLUG, SPARK (BPM-7Y)	BPM-7Y	Sus. by 159010-10230	
15		159010-10230	1	PLUG, SPARK (BPMR-7A)	BPMR-7A		
20		177202-06210	1	PAWL ASSY, STARTER			
21	+	900700-00004	1	E-RING 4	CE-4		
23	+	177234-40630	1	SPRING, RETURN			
24	+	177218-40630	1	PAWL, STARTER	WHITE		
26		177200-08260	1	STARTER ASSY			
27	+	177236-40630	1	SCREW			

2. Starter, Magneto, Muffler

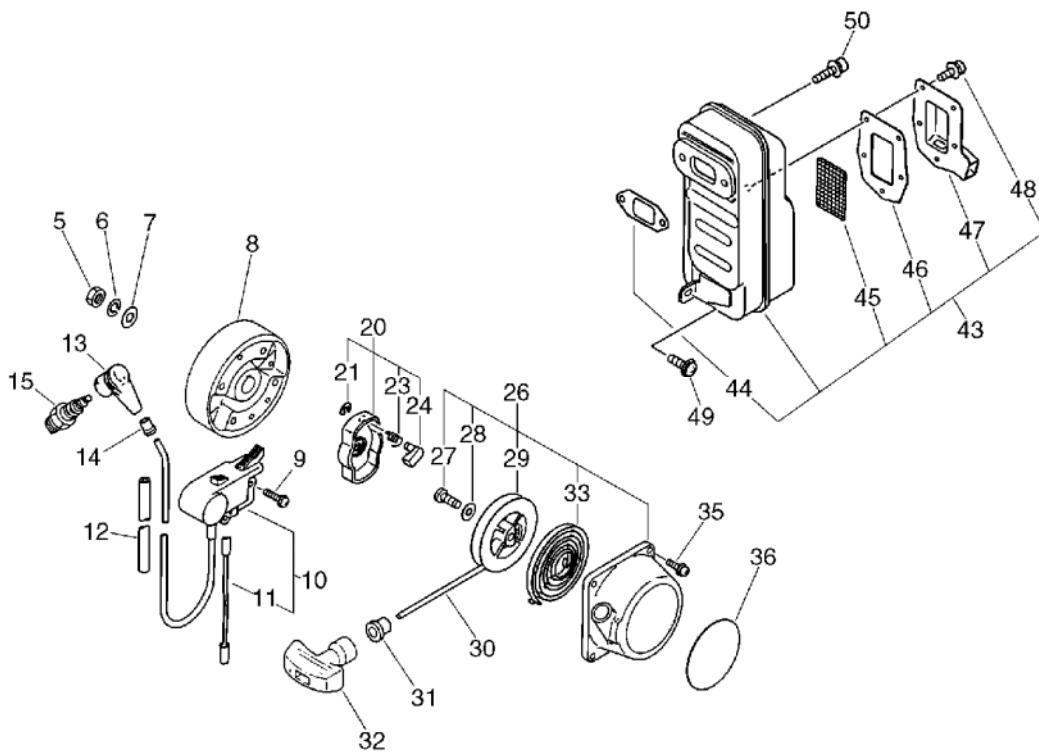
No.2



KEY	LV	PART NUMBER	Q'TY	DESCRIPTION	REMARKS	NOTE1	NOTE2
28	+	177214-40630	1	WASHER			
29	+	177215-11120	1	DRUM, STARTER			
30	+	177226-11120	1	ROPE, STARTER	3.8*1400		
31	+	177227-42030	1	GUIDE, ROPE			
32	+	177228-01110	1	GRIP, STARTER			
33	+	177220-11120	1	REWIND SPRING			
35		900162-04018	4	BOLT, H.S. 4*18	4*18 W,SW	Sus. by 900163-04018	
35		900163-04018	4	BOLT HSH			
36		890118-49330	1	LABEL, ECHO			
43		145800-08260	1	MUFFLER ASSY		Sus. by P021001833	
43		P021-001831	1	MUFFLER ASY		Sus. by P021001833	
43		P021-001832	1	MUFFLER ASY		Sus. by P021001833	
43		P021-001833	1	MUFFLER ASY			
44	+	145510-06210	2	GASKET, MUFFLER		Sus. by 145510-06211	
44	+	145510-06211	2	GASKET, MUFFLER			
45	+	145862-06720	1	SCREEN, MUFFLER			
46	+	145866-04261	1	GASKET			
47	+	145874-08261	1	GUIDE, EXHAUST		Sus. by A313-000250	
47	+	A313-000250	1	GUIDE,EXH	ID.NO.1000		
48	+	900238-04010	5	SCREW 4*10	4*10		

2. Starter, Magneto, Muffler

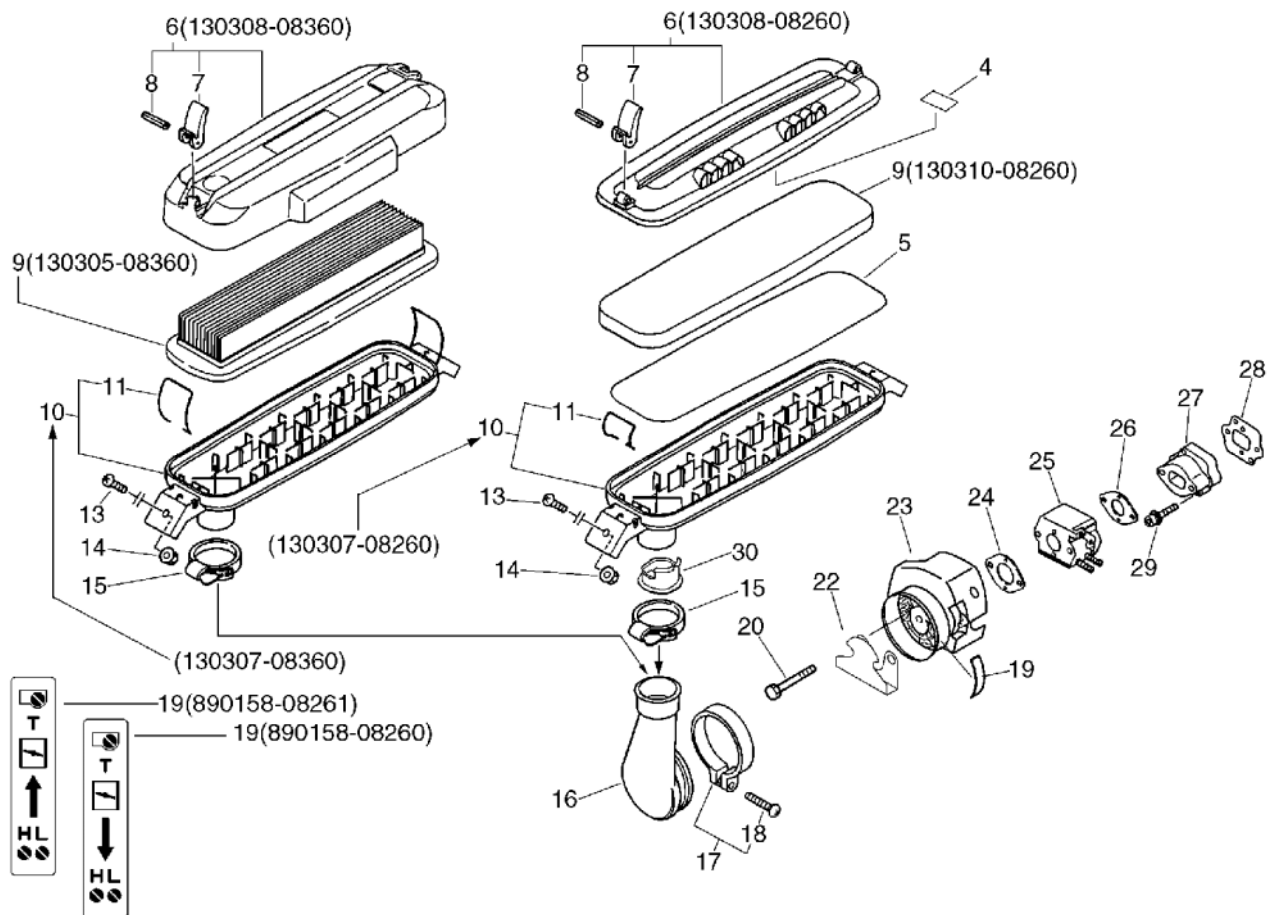
No.2



KEY	LV	PART NUMBER	Q'TY	DESCRIPTION	REMARKS	NOTE1	NOTE2
49		900162-05020	1	BOLT, H.S. 5*20	5*20 W,SW	Sus. by 900106-05020	
49		900106-05020	1	BOLT, H.S. 5*20	5*20		
50		900105-06020	2	BOLT, H.S. 6*20	6*20		

3. Air Cleaner

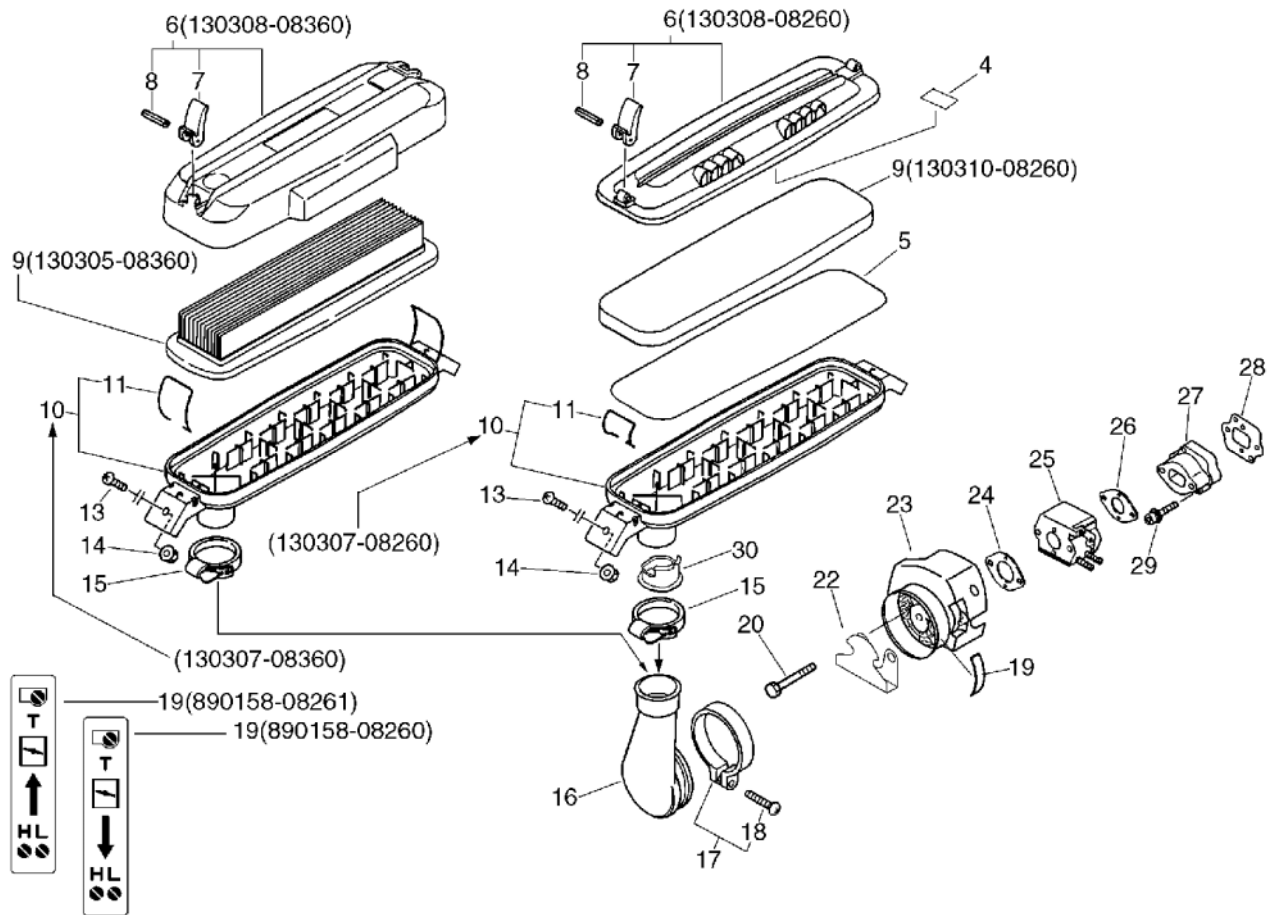
No.3



KEY	LV	PART NUMBER	Q'TY	DESCRIPTION	REMARKS	NOTE1	NOTE2
4		890187-08360	1	LABEL, CLEANER		Sr/Nr 059918 and before	
5		130317-08360	1	FILTER, AIR		Sr/Nr 059918 and before	
6		130308-08260	1	LID, CLEANER		Sr/Nr 059918 and before	
6		130308-08360	1	COVER, AIR CLEANER		Sr/Nr 059919 and after	
7	+	130341-08260	2	KNOB			
8	+	900345-30025	2	PIN, SPRING 3*25	3*25		
9		130310-08260	1	FILTER, AIR		Sr/Nr 059918 and before	
9		130305-08360	1	FILTER, AIR		Sus. by 130305-08361	
9		130305-08361	1	FILTER, AIR		Sr/Nr 059919 and after	
10		130307-08260	1	CASE, AIR CLEANER		Sr/Nr 059918 and before	
10		130307-08360	1	CASE, AIR CLEANER		Sr/Nr 059919 and after	
11	+	131032-08260	2	CLIP		Sr/Nr 059918 and before	
11	+	131032-08360	2	CLIP		Sr/Nr 059919 and after	
13		900209-05014	2	SCREW, 5*14	5*14	Sus. by 91540-05014	

3. Air Cleaner

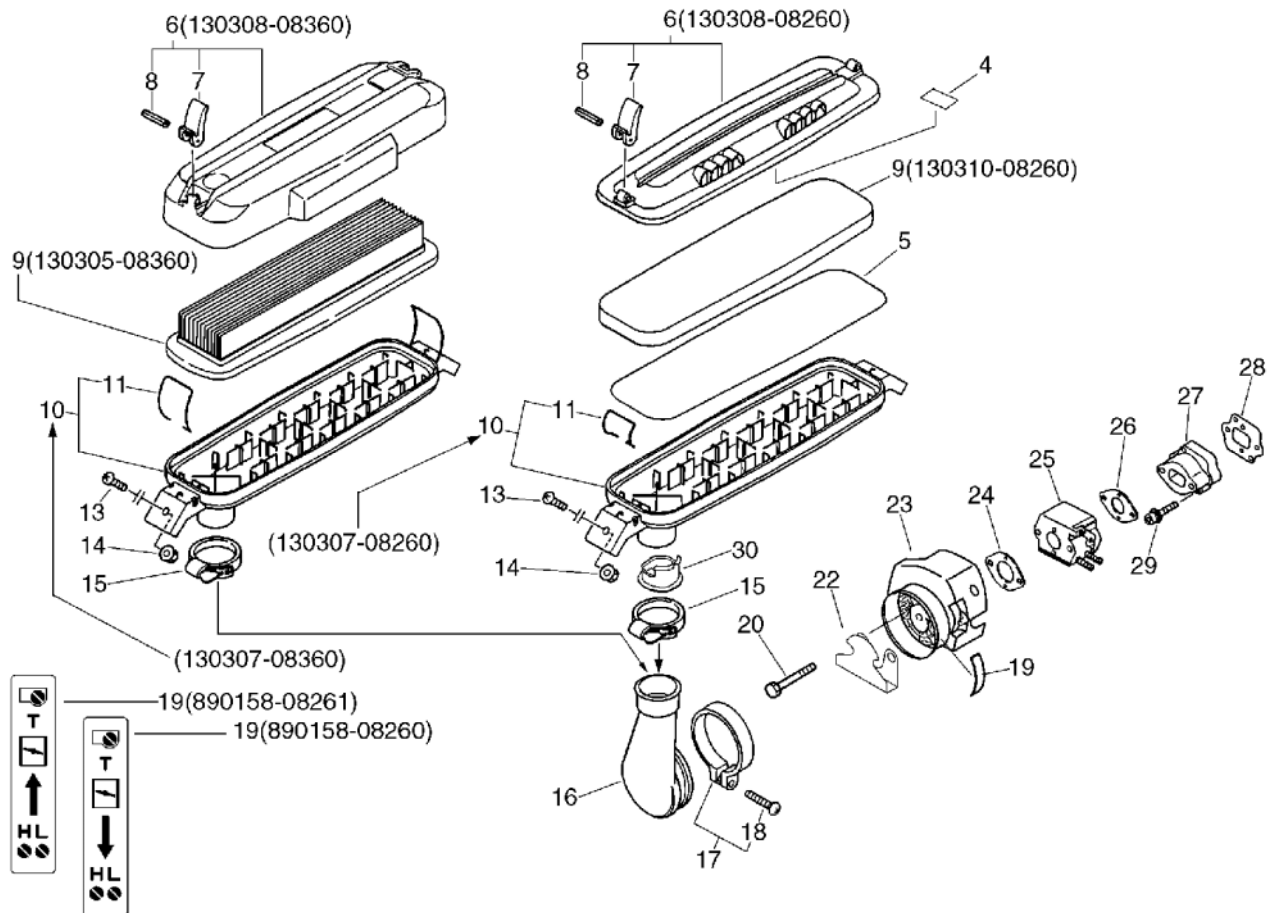
No.3



KEY	LV	PART NUMBER	Q'TY	DESCRIPTION	REMARKS	NOTE1	NOTE2
13		91540-05014	2	SCREW, TRUSS			
14		900516-00005	2	NUT, FRANGE 5	5		
15		130715-04260	1	BAND (S)		Sus. by 130715-08260	
15		130715-08260	1	BAND			
16		130711-08260	1	ADAPTER, INTAKE			
17		P021-043140	1	CLAMP W/SCREW			
18	+	900238-05025	1	SCREW 5*25	5*25		
19		890158-08260	1	LABEL, CHOKE			
19		890158-08261	1	LABEL, CHOKE			
20		900220-05050	2	SCREW 5*50	5*50		
22		129011-08260	1	PLATE		Sus. by A244-000020	
22		A244-000020	1	PLATE, PREVENT			
23		130405-08260	1	BRACKET, AIR CLEANER		Sus. by A221-000000	
23		130405-09860	1	BRACKET, AIR CLEANER		Sus. by A221-000000	
23		130405-09861	1	BRACKET, AIR CLEANER		Sus. by A221-000000	
23		130405-09862	1	BRACKET, AIR CLEANER		Sus. by A221-000000	
23		A221-000000	1	FIXTURE, CLEANER			
24		130016-03730	1	GASKET, CARBURETOR		Sus. by 130016-03731	
24		130016-03731	1	GASKET, CARBURETOR			

3. Air Cleaner

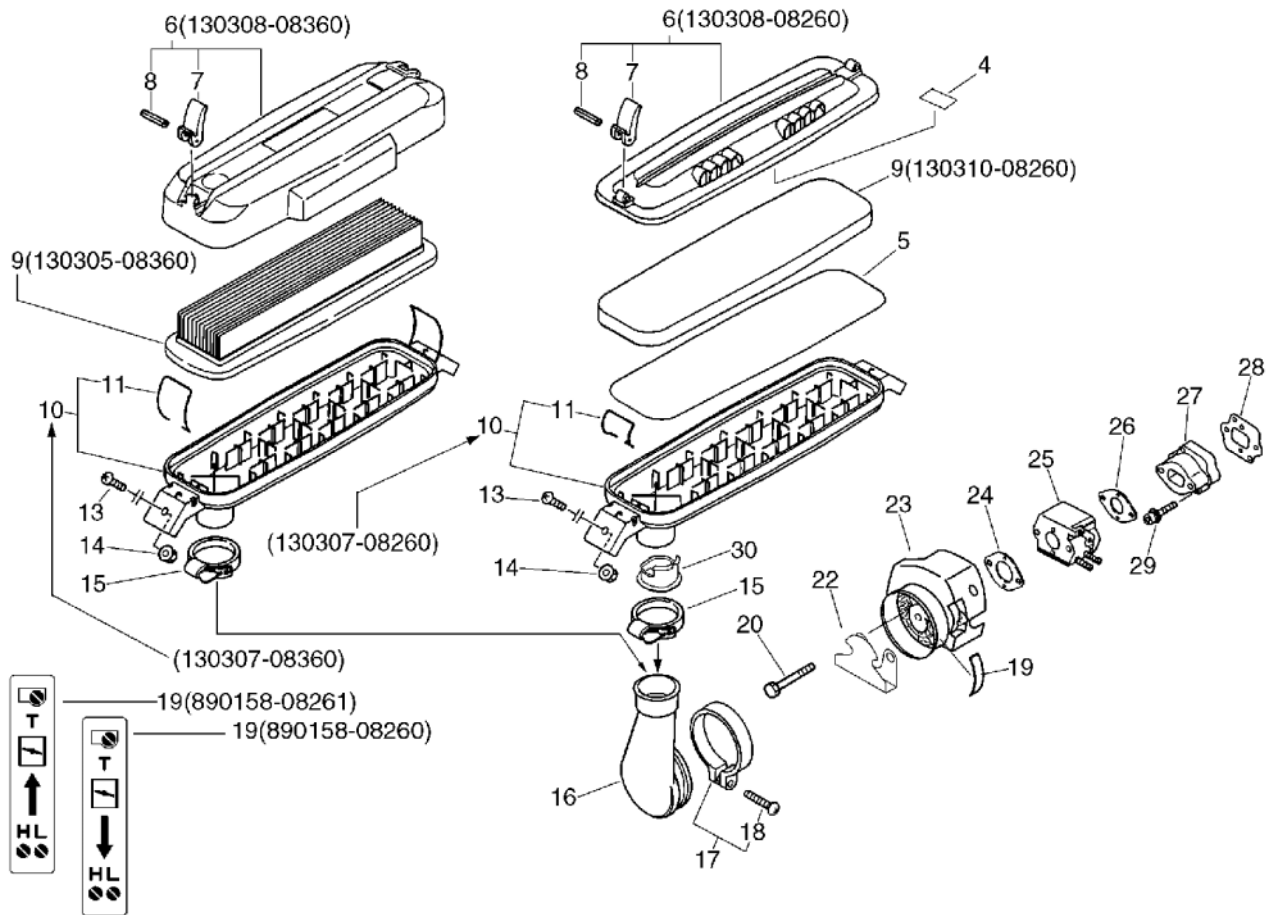
No.3



KEY	LV	PART NUMBER	Q'TY	DESCRIPTION	REMARKS	NOTE1	NOTE2
25		125200-08260	1	CARBURETOR ASSY	C1M-K24	Sus. by 125200-08564	
25		125200-08261	1	CARBURETOR ASSY	C1M-K24A	Sus. by 125200-08564	
25		125200-08560	1	CARBURETOR ASSY	C1M-K37B	Sus. by 125200-08564	
25		125200-08561	1	CARBURETOR	C1M-37B	Sus. by 125200-08564	
25		125200-08562	1	CARBURETOR	C1M-K37C	Sus. by 125200-08564	
25		125200-08563	1	CARBURETOR		Sus. by 125200-08564	
25		125200-08564	1	CARBURETOR	C1M-K37D		
26		130016-06433	1	GASKET		Sus. by 130016-06434	
26		130016-06434	1	GASKET			
27		130007-03460	1	INSULATOR		Sus. by 130007-08261	
27		130007-03461	1	INSULATOR		Sus. by 130007-08261	
27		130007-08260	1	INSULATOR		Sus. by 130007-08261	
27		130007-08261	1	INSULATOR			
28		130010-10322	1	GASKET		Sus. by V103-00000	

3. Air Cleaner

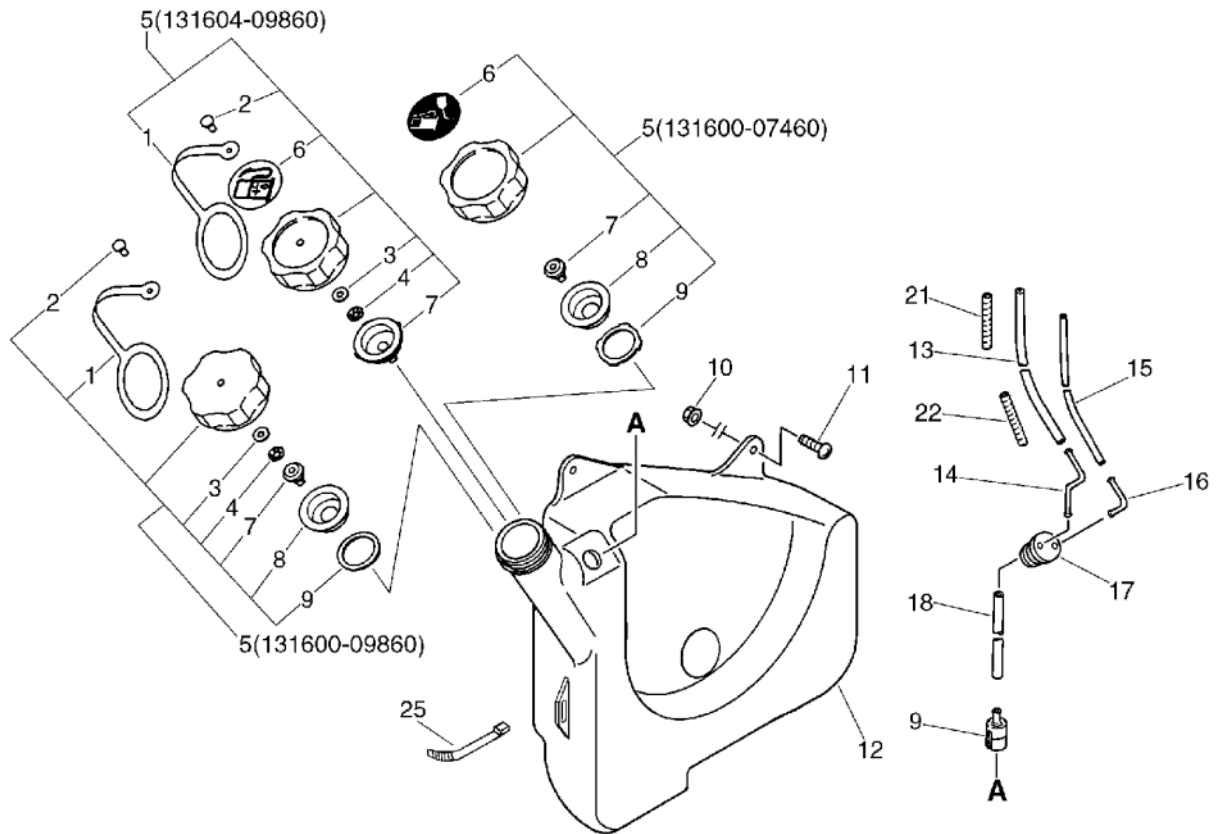
No.3



KEY	LV	PART NUMBER	Q'TY	DESCRIPTION	REMARKS	NOTE1	NOTE2
28		130010-10323	1	GASKET		Sus. by V103-000000	
28		V103-000000	1	GASKET,INTAKE			
29		900162-05025	2	BOLT, H.S. 5*25	5*25 W,SW		
30		178076-08360	1	COLLAR			

4. Fuel Tank

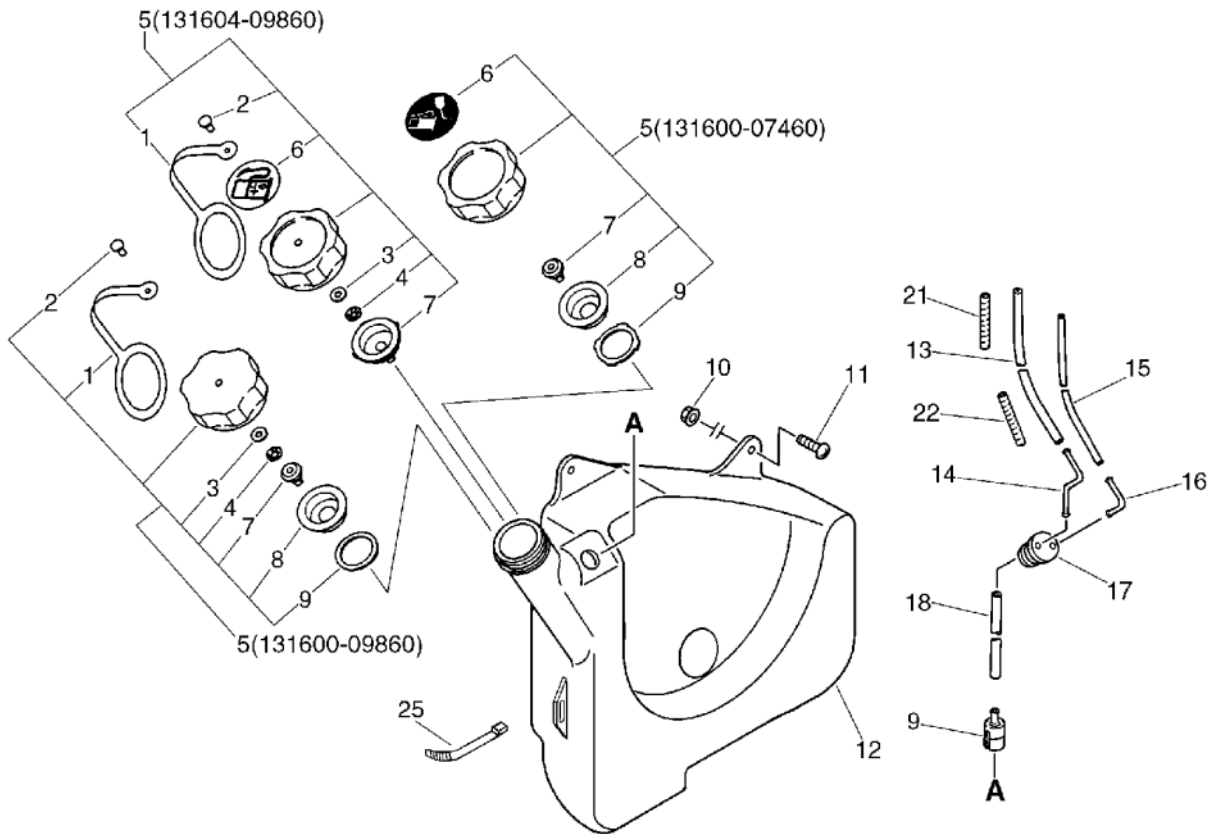
No.4



KEY	LV	PART NUMBER	Q'TY	DESCRIPTION	REMARKS	NOTE1	NOTE2
5		131600-07460	1	CAP ASSY, FUEL TANK		Sus. by 131600-09861	
5		131604-09860	1	CAP ASSY, FUEL TANK		Sus. by 131600-09861	
5		131600-09860	1	CAP ASSY, FUEL TANK		Sus. by 131600-09861	
5		131600-09861	1	CAP ASY, FUEL			
1	+	131051-27230	1	LINK		Can be used on 131604-09860 and 131600-09860 - 09861	
2	+	900319-30060	1	RIVET 3*6	3*6	Sus. by 900319-30070	
2	+	900319-30070	1	RIVET 3*7	3*7	Can be used on 131604-09860 and 131600-09860 - 09861	
3	+	900600-00003	1	WASHER 3	3	Can be used on 131604-09860 and 131600-09860 - 09861	
4	+	131053-03060	1	NUT		Can be used on 131604-09860 and 131600-09860 - 09861	

4. Fuel Tank

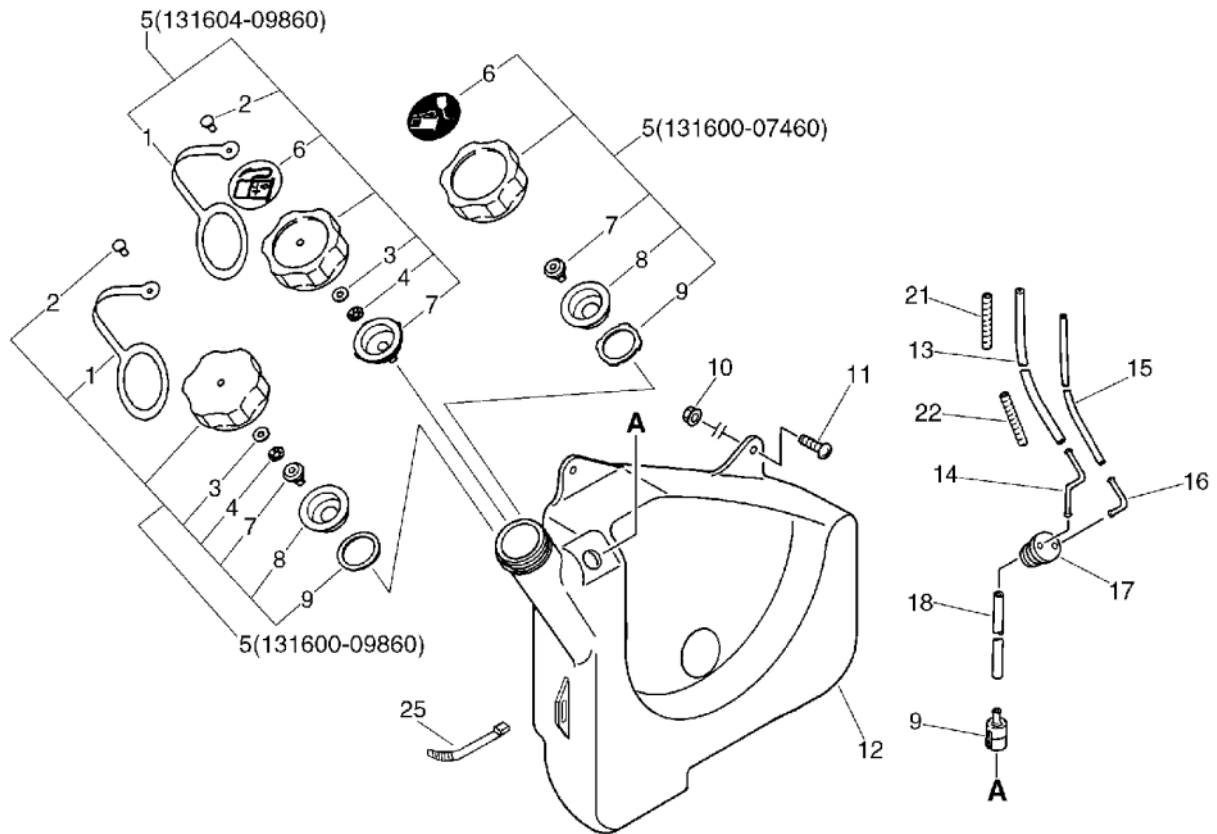
No.4



KEY	LV	PART NUMBER	Q'TY	DESCRIPTION	REMARKS	NOTE1	NOTE2
6	+	890147-06160	1	LABEL, FUEL MIX		Can be used on the 131600-07460 only	
6	+	890147-08260	1	LABEL, FUEL MIX		Can be used on the 131604-09860 only	
7	+	131314-22330	1	SEAL, BREATHER		Can be used on the 131604-09860 only	
7	+	131314-06320	1	VALVE, CHECK		Can be used on 131600-07460 and 131600-09860 - 09861	
8	+	131015-21330	1	HOLDER, CHECK VALVE		Sus. by A358-000000	
8	+	A358-000000	1	HOLDER,CHECK VALVE		Can be used on 131600-07460 and 131600-09860 - 09861	
9	+	131016-21230	1	GASKET, FUEL CAP		Can be used on the 131600-07460 only	
9	+	131016-21060	1	GASKET, FUEL CAP		Can be used on the 131600-09860 only	
10		900516-00005	3	NUT, FRANGE 5	5		

4. Fuel Tank

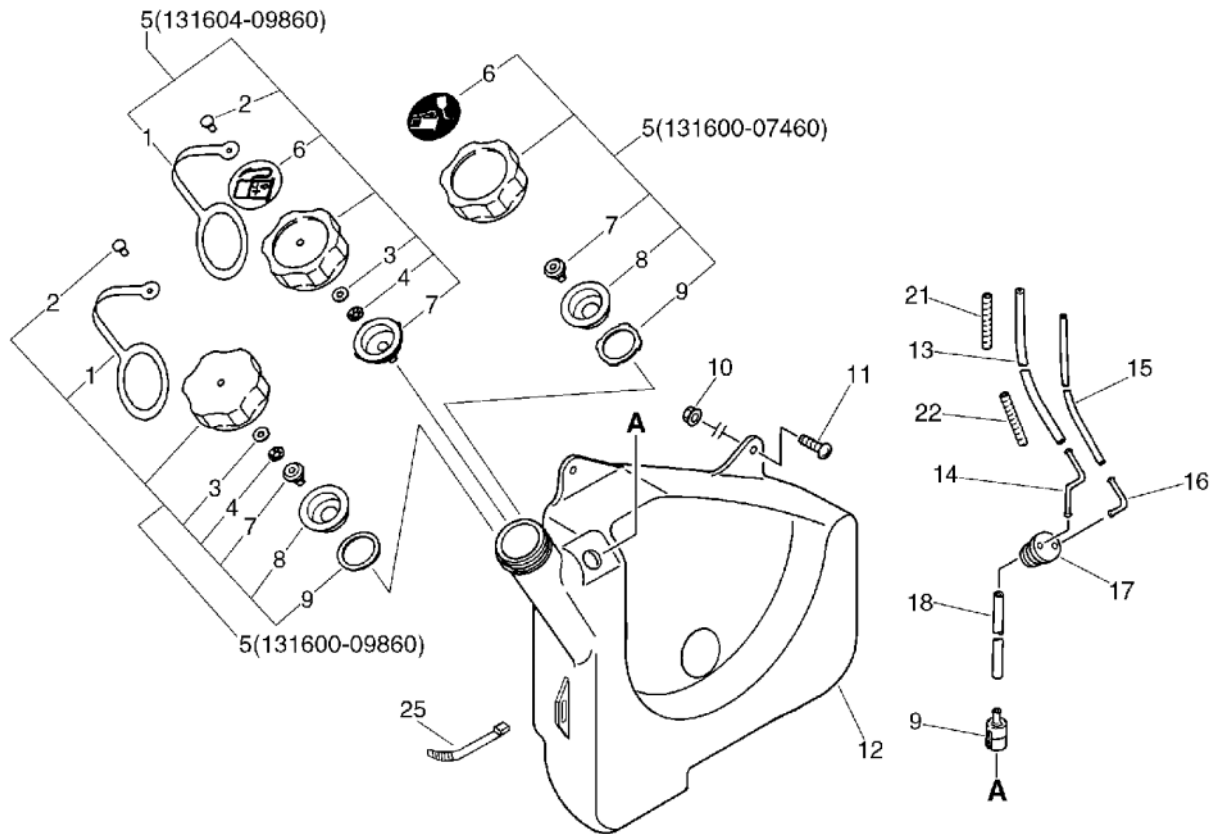
No.4



KEY	LV	PART NUMBER	Q'TY	DESCRIPTION	REMARKS	NOTE1	NOTE2
11		900209-05020	3	SCREW, 5*20	5*20		
12		131010-08260	1	TANK, FUEL		Sus. by 131010-08265	
12		131010-08261	1	TANK, FUEL		Sus. by 131010-08265	
12		131010-08262	1	TANK, FUEL		Sus. by 131010-08265	
12		131010-08263	1	TANK, FUEL		Sus. by 131010-08265	
12		131010-08264	1	TANK, FUEL		Sus. by 131010-08265	
12		131010-08265	1	TANK, FUEL		Sus. by 131010-08265	
12		131010-08266	1	TANK, FUEL		Next Production	
14		132011-08260	1	CONNECTOR, FUEL PIPE			
15		132016-08260	1	PIPE, FUEL	2*4*480		
16		132021-08260	1	CONNECTOR, PIPE			
17		132115-02960	1	GROMMET			
18		132012-08261	1	PIPE 3*7*270	3*7*270 NBR	Sus. by V471-000770	
18		V471-000770	1	PIPE			
19		131205-30830	1	STRAINER, FUEL		Sus. by 131205-19830	
19		131205-19830	1	STRAINER, FUEL			
21		132015-08260	1	COVER, PROTECTIVE			

4. Fuel Tank

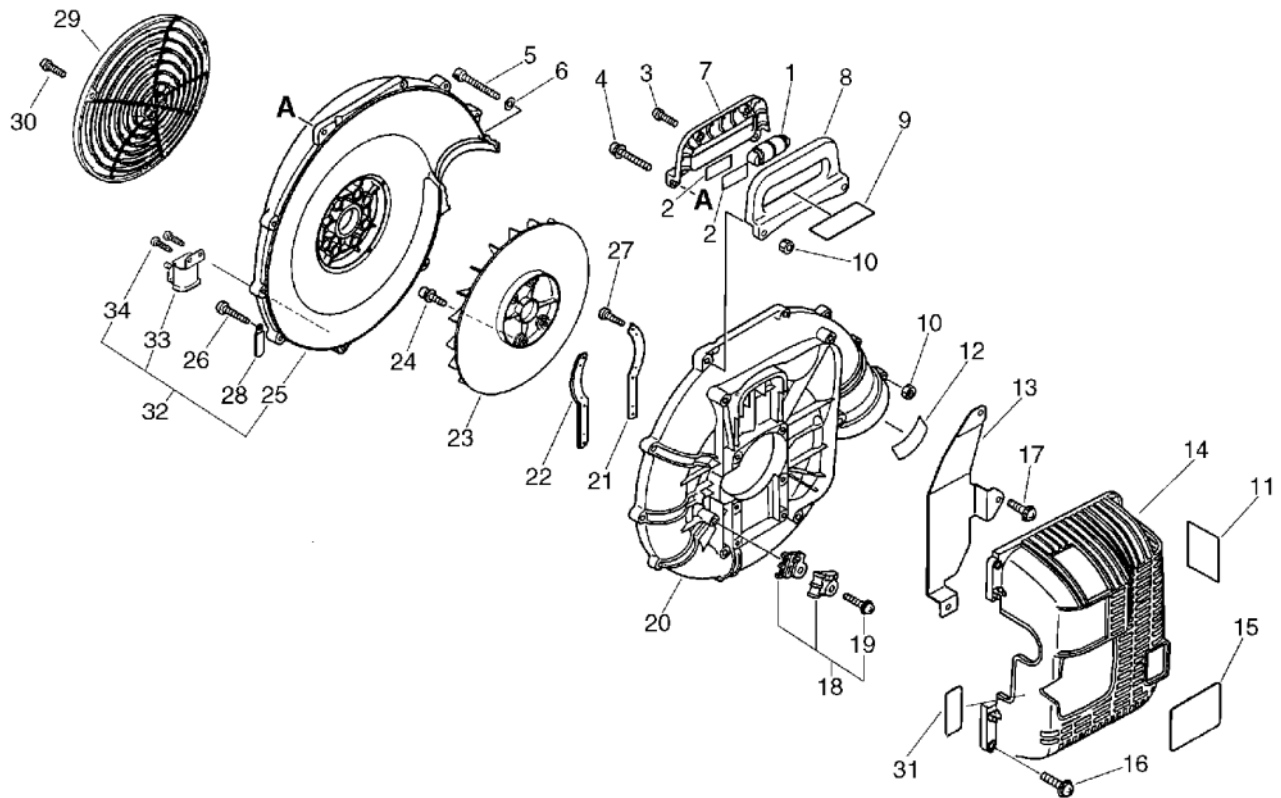
No.4



KEY	LV	PART NUMBER	Q'TY	DESCRIPTION	REMARKS	NOTE1	NOTE2
22		178127-03460	1	TUBE			
25		V495-000300	1	BAND	CV-150	Sus. by 178121-43230	
25		178121-43230	1	BAND	CV-150 BL	Can be used on the 131010-08261 only	

5. Fan Case

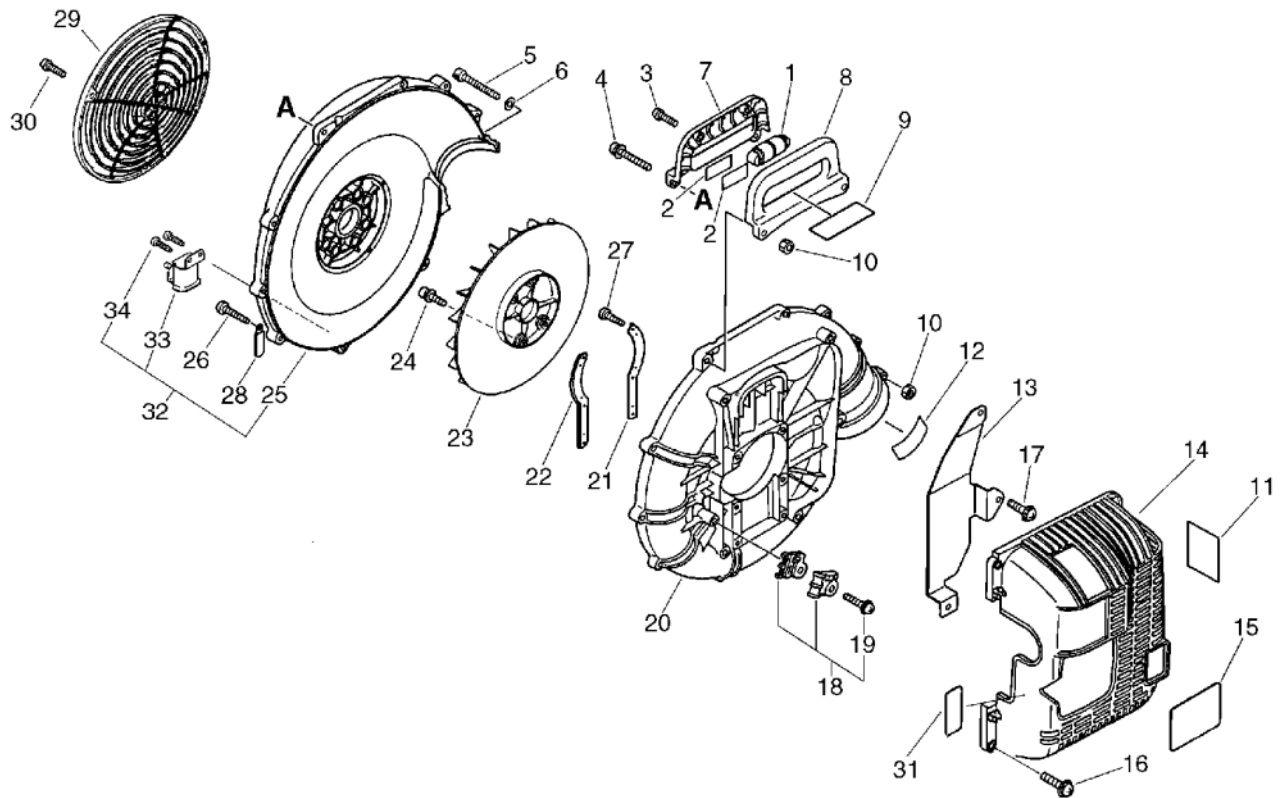
No.5



KEY	LV	PART NUMBER	Q'TY	DESCRIPTION	REMARKS	NOTE1	NOTE2
1		351337-08260	1	WEIGHT, HANDLE			
2		351335-08260	2	CUSHION			
3		900253-05016	2	SCREW	5*16		
4		900238-05045	2	SCREW 5*45	5*45		
5		900105-05060	2	BOLT, H.S. 5*60	5*60		
6		900602-00005	2	WASHER 5	5.3*10*1	Sus. by 900600-00005	
6		900600-00005	2	WASHER 5	5		
7		351110-08260	1	HANDLE			
8		351010-08260	1	HANDLE			
9		890160-09460	1	LABEL, CAUTION		Sus. by 890160-09461	
9		890160-09461	1	LABEL, CAUTION			
10		900516-00005	4	NUT, FRANGE 5	5		
11		890160-06360	1	LABEL, CAUTION		Sus. by 890160-06361	
11		890160-06361	1	LABEL, CAUTION			
12		890115-08260	1	LABEL, MODEL			
13		100270-08260	1	INSULATOR			
14		104012-08260	1	COVER, ENGINE			
15		890112-08260	1	LABEL, MODEL			
16		900238-05018	4	SCREW 5*18	5*18		
17		900238-05010	1	SCREW 5*10	5*10		
18		178101-08260	1	HOLDER KIT, CABLE			
19	+	900238-05025	1	SCREW 5*25	5*25		
20		200105-08260	1	CASE, FAN			

5. Fan Case

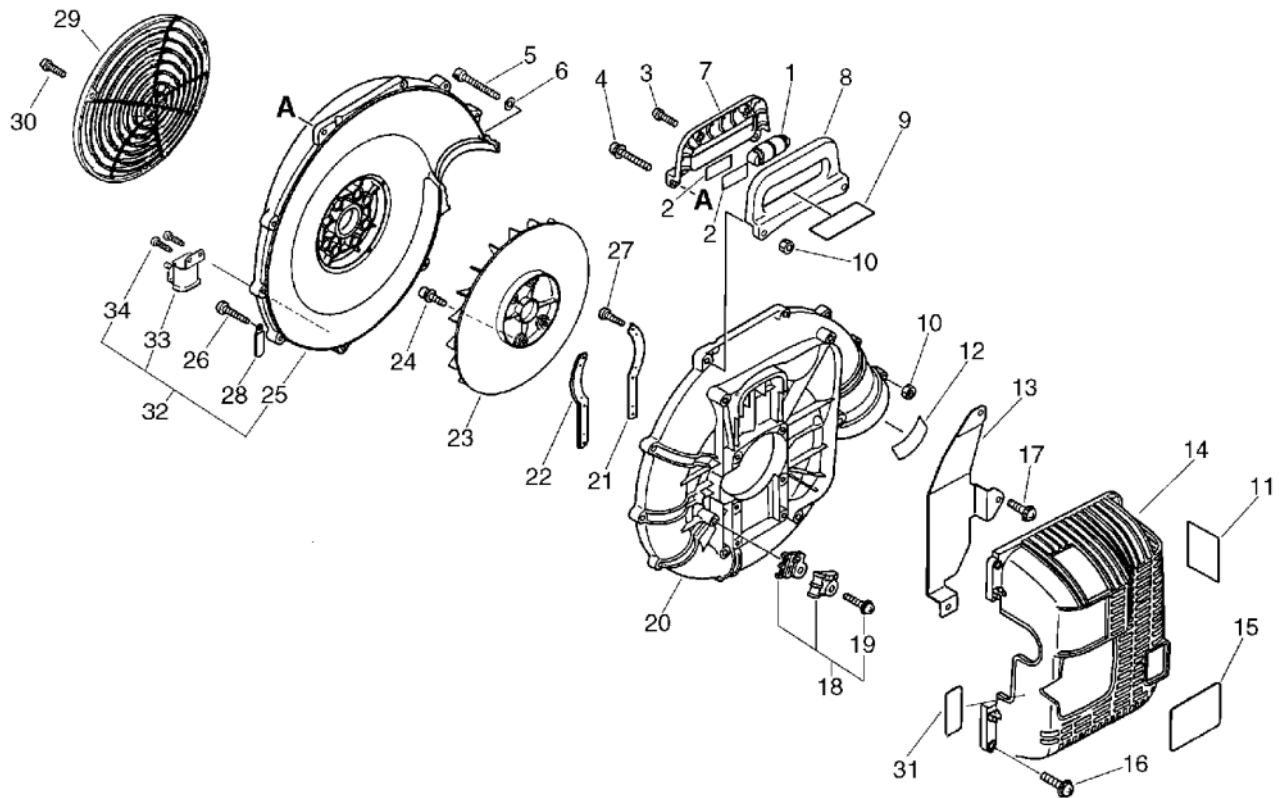
No.5



KEY	LV	PART NUMBER	Q'TY	DESCRIPTION	REMARKS	NOTE1	NOTE2
21		104925-08260	1	BRACKET, ENGINE		Sus. by 104913-08360	
21		104913-08360	1	BRACKET, ENGINE			
22		104913-08260	1	BRACKET, ENGINE		Sus. by 104913-08360	
22		104913-08360	1	BRACKET, ENGINE			
23		200005-08260	1	FAN		Sus. by 200010-09860	
23		200010-09860	1	FAN			
24		900162-05020	4	BOLT, H.S. 5*20	5*20 W,SW		
25		200111-08260	1	CASE, FAN		Sus. by P021-000385	
32		P021-000380	1	CASE, FAN		Sus. by P021-000385	
32		P021-000382	1	CASE, FAN		Sus. by P021-000385	
32		P021-000383	1	CASE, FAN		Sus. by P021-000385	
32		P021-000384	1	CASE, FAN		Sus. by P021-000385	
32		P021-000385	1	CASE, FAN			
25	+	200111-08261	1	CASE, FAN		Sus. by 200111-08264	
25	+	200111-08262	1	CASE, FAN		Sus. by 200111-08264	

5. Fan Case

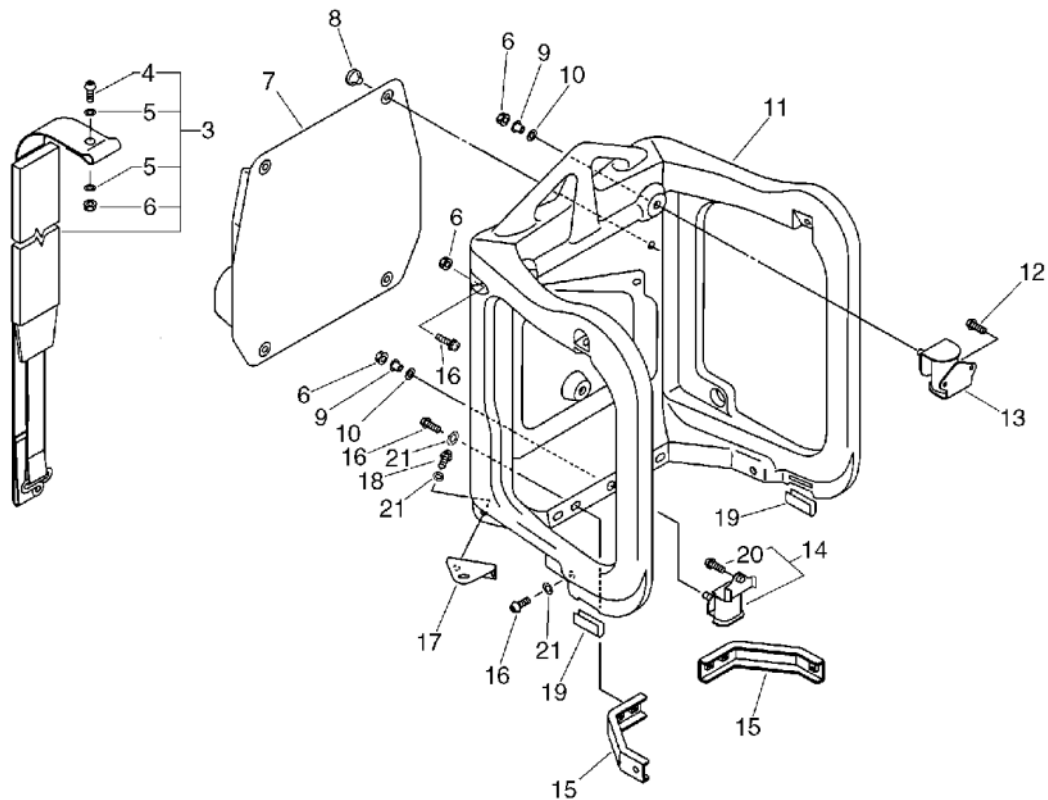
No.5



KEY	LV	PART NUMBER	Q'TY	DESCRIPTION	REMARKS	NOTE1	NOTE2
25	+	200111-08263	1	CASE, FAN		Sus. by 200111-08264	
25	+	200111-08264	1	CASE, FAN		Sr/Nr 099886 and after	
25	+	200111-08265	1	CASE, FAN			
33	+	V401-000000	1	CUSHION,5		Sus. by V401-000002	
33	+	V401-000001	1	CUSHION,5		Sus. by V401-000002	
33	+	V401-000002	1	CUSHION,5		Sr/Nr 099886 and after	
34	+	900253-05016	2	SCREW	5*16	Sr/Nr 099886 and after	
26		900253-05030	7	SCREW 5*30	5*30		
27		900246-03008	4	SCREW 3*8	3*8	Sus. by 900246-03012	
27		900246-03012	4	SCREW 3*12	3*12		
28		159116-21231	1	CLAMP			
29		200124-09860	1	GRID, FAN CASE			
30		900253-05016	3	SCREW	5*16		
31		890560-90660	1	LABEL, PRIMING			

6. Harness

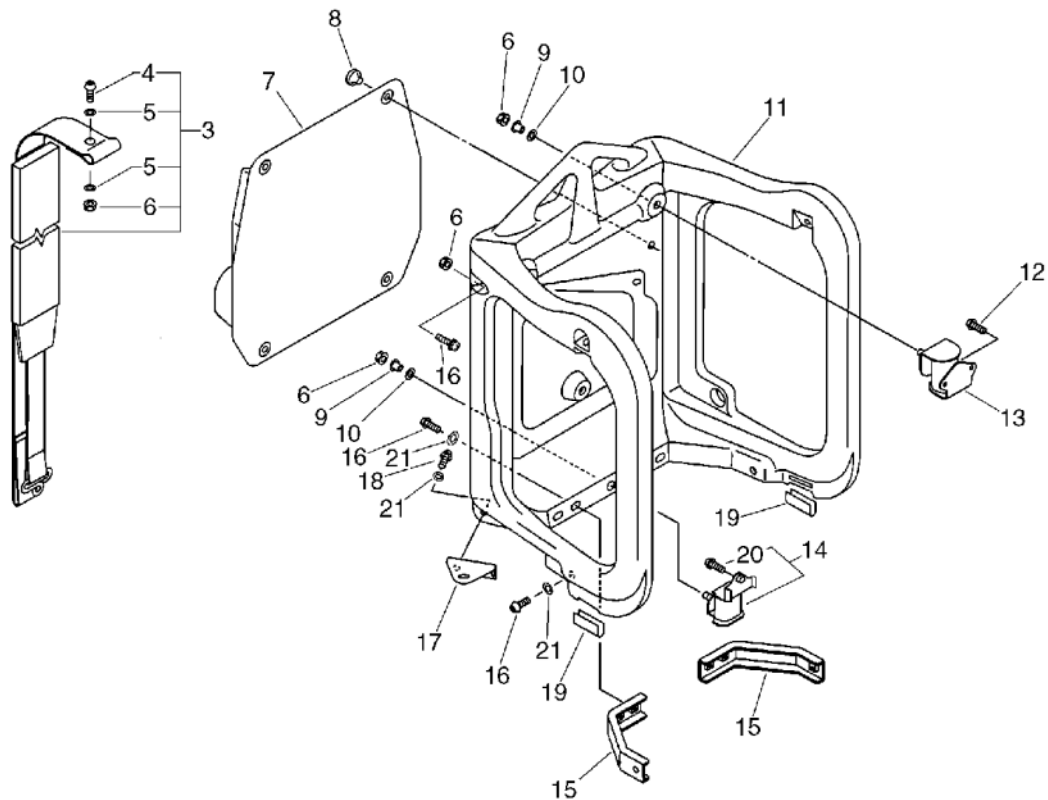
No.6



KEY	LV	PART NUMBER	Q'TY	DESCRIPTION	REMARKS	NOTE1	NOTE2
3		300300-08260	2	HARNESS, KNAPSACK		Sus. by P021-001761	
3		300300-08261	2	HARNESS, KNAPSACK		Sus. by P021-001761	
3		P021-001760	2	HARNESS, KNAPSACK		Sus. by P021-001761	
3		P021-001761	2	HARNESS, KNAPSACK			
4	+	900209-05014	2	SCREW, 5*14	5*14	Sus. by 91540-05014	
4	+	91540-05014	2	SCREW, TRUSS			
5	+	300217-00610	4	WASHER			
6	+	900516-00005	2	NUT, FRANGE 5	5		
6		900516-00005	5	NUT, FRANGE 5	5		
7		300105-08260	1	CUSHION, KNAPSACK	BL	Sus. by 300105-08261	
7		300105-08261	1	CUSHION, KNAPSACK			
8		300333-06160	4	CLIP			
9		104915-08260	3	SPACER			
10		131925-02310	3	CUSHION			
11		300010-08260	1	FRAME, BACKPACK		Sus. by 300010-08361	
11		300010-08360	1	FRAME, BACKPACK		Sus. by 300010-08361	
11		300010-08361	1	FRAME, BACKPACK			
12		900253-05016	5	SCREW	5*16	Sus. by Qty:4	

6. Harness

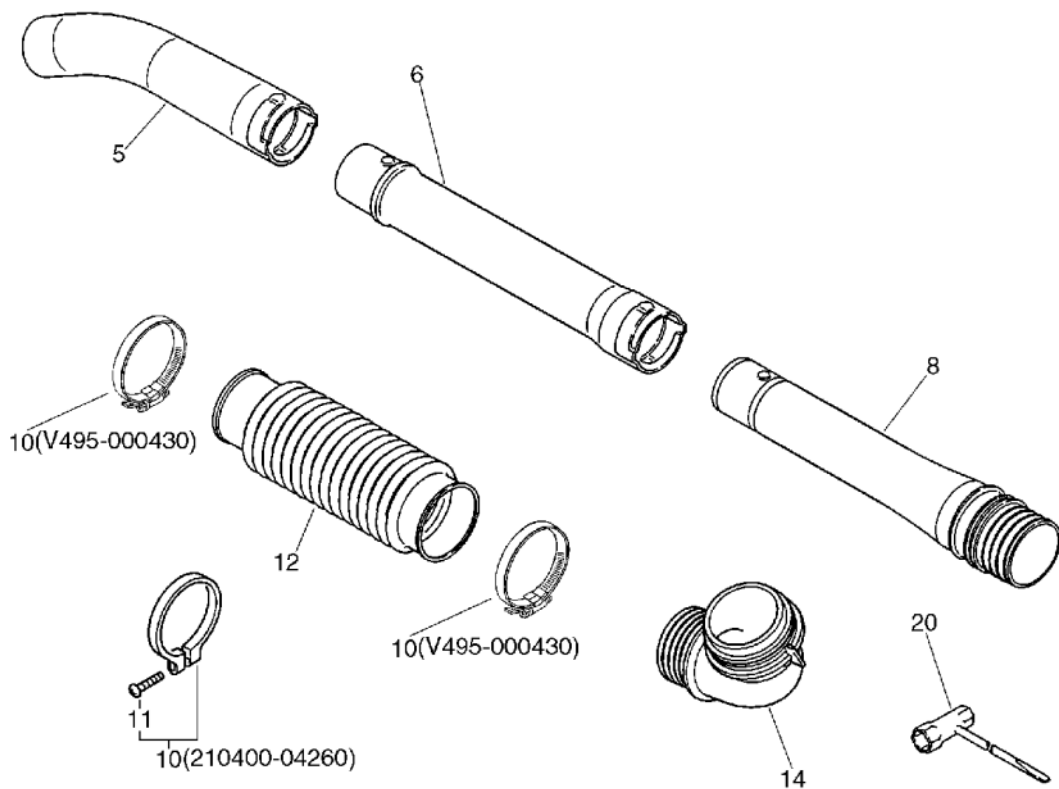
No.6



KEY	LV	PART NUMBER	Q'TY	DESCRIPTION	REMARKS	NOTE1	NOTE2
12		900253-05016	4	SCREW	5*16		
13		100905-08260	2	CUSHION		Sus. by 100905-08261	
13		100905-08261	2	CUSHION			
14		100907-08260	1	CUSHION		Sus. by P021-000251	
14		P021-000251	1	CUSHION W/SCREW		Sr/Nr 099885 and before	
20	+	91371-06020	1	SCREW TAPPING	6*20	Sr/Nr 099885 and before	
15		300012-08260	2	CONNECTOR, FRAME			
16		900209-05014	8	SCREW, 5*14	5*14		
17		300614-08260	2	BRACKET, HANGER			
18		900209-05020	4	SCREW, 5*20	5*20		
19		300032-08360	2	BUMPER		Sr/Nr 095150 to 100901	
21		300217-00610	10	WASHER			

7. Pipe, Tool

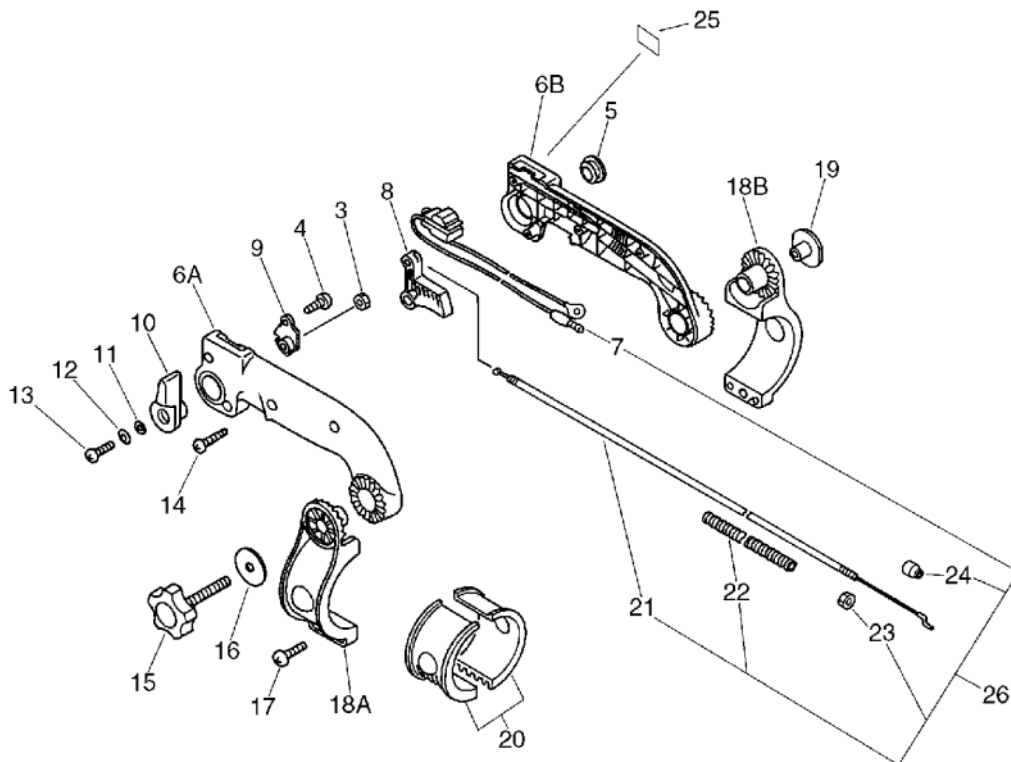
No.7



KEY	LV	PART NUMBER	Q'TY	DESCRIPTION	REMARKS	NOTE1	NOTE2
5		210023-03460	1	PIPE, CURVED (BL)			
6		210015-03460	1	PIPE, STRAIGHT (BL)			
8		212005-07560	1	PIPE, BLOWER			
10		210400-04260	2	CLAMP W/SCREW		Sus. by V495-000430	
10		V495-000430	2	BAND	58.7MM / 82.5MM		
11	+	900235-05025	2	SCREW 5*25	5*25	Can be used on 210400-04260 only	
12		210013-08360	1	PIPE, FLEXIBLE			
13		178121-08360	1	CLIP		Sus. by 178121-09860	
13		178121-09860	2	BAND			
14		210005-08260	1	PIPE, MAIN		Sus. by 210011-08260	
14		210011-08260	1	ELBOW, BLOWING			
20		895410-03930	1	WRENCH, W/S. DRIVER			
20		895410-39130	1	WRENCH, W/S-DRIVER		Sus. by 895410-39130	
20		895410-39130	1	WRENCH, W/S-DRIVER		Sus. by 895410-39131	
20		895410-39131	1	WRENCH, W/S-DRIVER			

8. Throttle

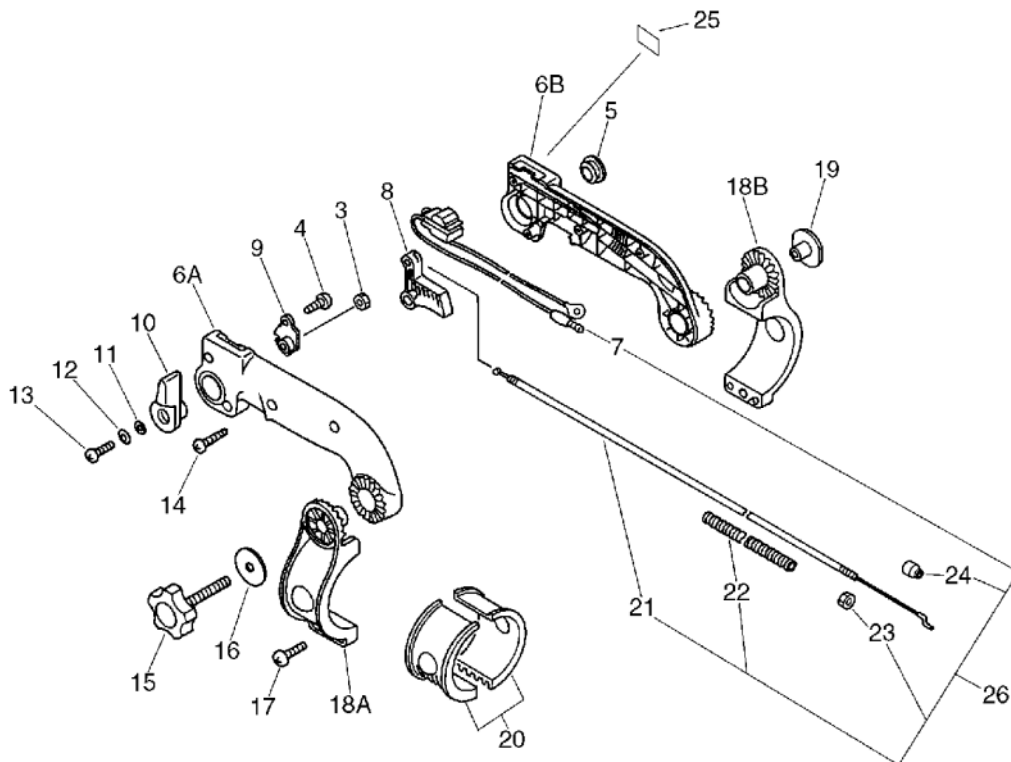
No.8



KEY	LV	PART NUMBER	Q'TY	DESCRIPTION	REMARKS	NOTE1	NOTE2
3		900500-00006	1	NUT 6	6		
4		900245-04010	1	SCREW 4*10	4*10		
5		351146-07560	1	PLUG			
6A		351315-07560	1	HANDLE, FRONT			
6B		351311-07560	1	HANDLE, FRONT			
8		178010-07560	1	CONTROL, THROTTLE			
9		178123-07561	1	BRACKET, THROTTLE		Sus. by 178010-07561	
9		178010-07561	1	CONTROL, THROTTLE			
10		178054-07560	1	CONTRTOL, THROTTLE			
11		900603-00006	1	WASHER 6	6.5*13*1		
12		900605-00006	1	WASHER, SPRING 6	6		
13		900235-06020	1	SCREW 6*20	6*20		
14		900256-04022	4	SCREW 4*22	4*22		
15		305812-07560	1	KNOB, FASTENER		Sus. by 305812-08260	
15		305812-08260	1	KNOB, FASTENER			
16		178516-07560	1	WASHER 6			
17		900253-05020	1	SCREW 5*20	5*20		
18A		351011-07560	1	BRACKET, HANDLE			
18B		351028-07560	1	BRACKET, HANDLE			
19		178021-08260	1	NUT, THROTTLE ROD			
20		210019-07560	2	COLLAR			
26		178100-08261	1	CONTROL, THR. W/WIRE		Sus. by 178100-08263	

8. Throttle

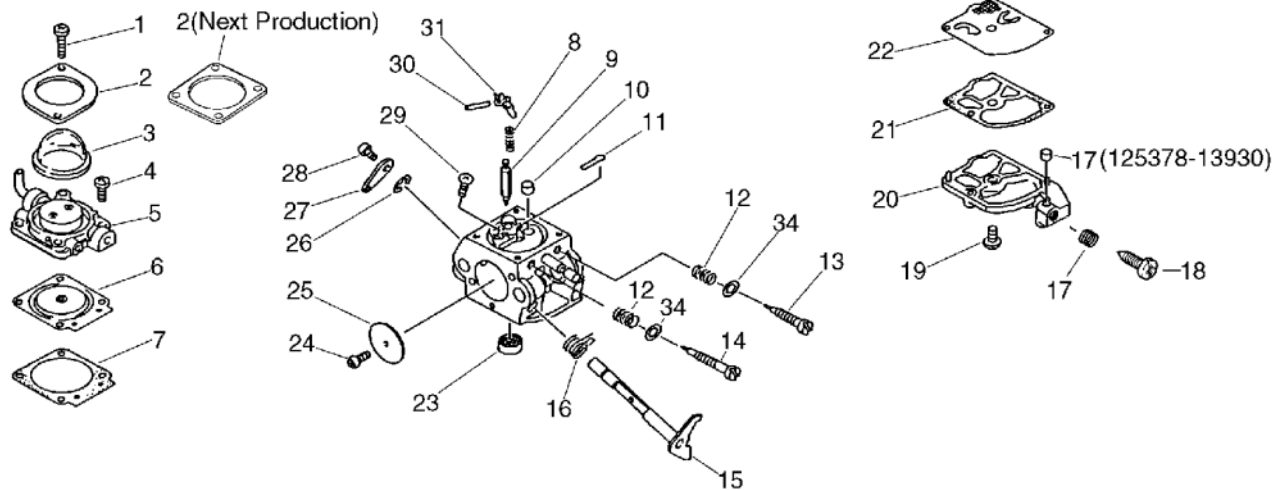
No.8



KEY	LV	PART NUMBER	Q'TY	DESCRIPTION	REMARKS	NOTE1	NOTE2
26		178100-08262	1	CABLE ASY, CONTROL		Sus. by 178100-08263	
26		178100-08263	1	CABLE ASY, THROTTLE			
7	+	163400-08261	1	SWITCH, IGNITION		Sus. by 163400-08262	
7	+	163400-08262	1	SWITCH, IGNITION			
21	+	178001-08260	1	WIRE, THROTTLE		Sus. by 178001-08360	
21	+	178001-08360	1	WIRE, THROTTLE			
22	+	178127-47530	1	TUBE	7*10*760		
23	+	900500-00006	1	NUT 6	6		
24	+	178082-08260	1	CAP			
25		890157-06560	1	LABEL, SWITCH			

9. Carburetor

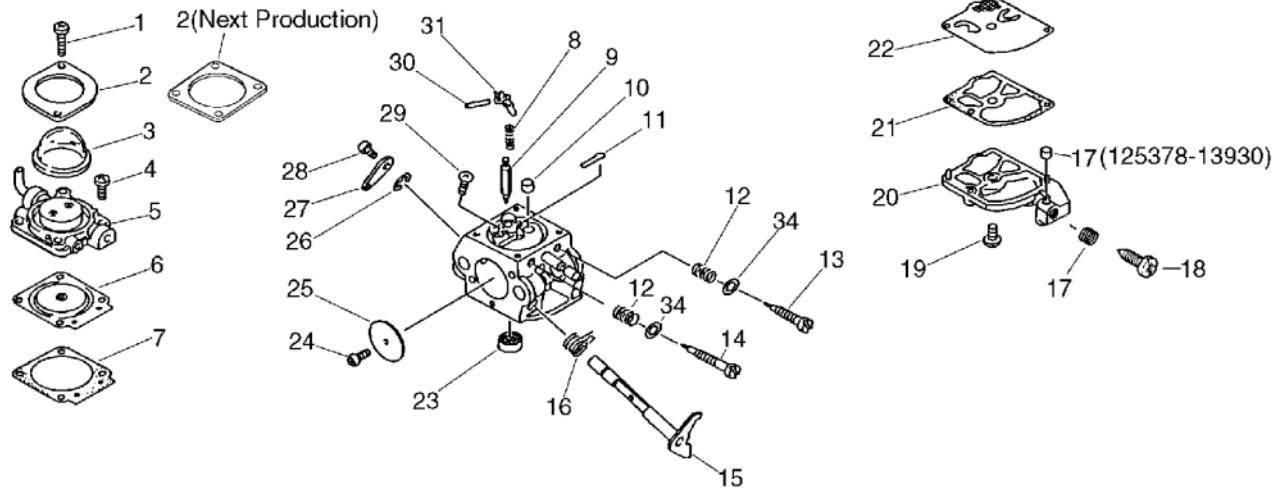
No.9



KEY	LV	PART NUMBER	Q'TY	DESCRIPTION	REMARKS	NOTE1	NOTE2
		125200-08260	1	CARBURETOR ASSY	C1M-K24	Sus. by 125200-08564	
		125200-08261	1	CARBURETOR ASSY	C1M-K24A	Sus. by 125200-08564	
		125200-08560	1	CARBURETOR ASSY	C1M-K37B	Sus. by 125200-08564	
		125200-08561	1	CARBURETOR	C1M-37B	Sus. by 125200-08564	
		125200-08562	1	CARBURETOR	C1M-K37C	Sus. by 125200-08564	
		125200-08563	1	CARBURETOR		Sus. by 125200-08564	
		125200-08564	1	CARBURETOR	C1M-K37D		
1	+	125344-05360	2	SCREW			
1	+	125344-05360	4	SCREW		Can be used on 1125200-08563	
1	+	P005-000980	4	SCREW		Can be used on 1125200-08564	
2	+	125363-08560	1	RING			
2	+	P005-000620	1	RETAINER		Can be used on 1125200-08563,08564	
3	+	125381-46730	1	PUMP, PRIMING		Sus. by 125381-08660	

9. Carburetor

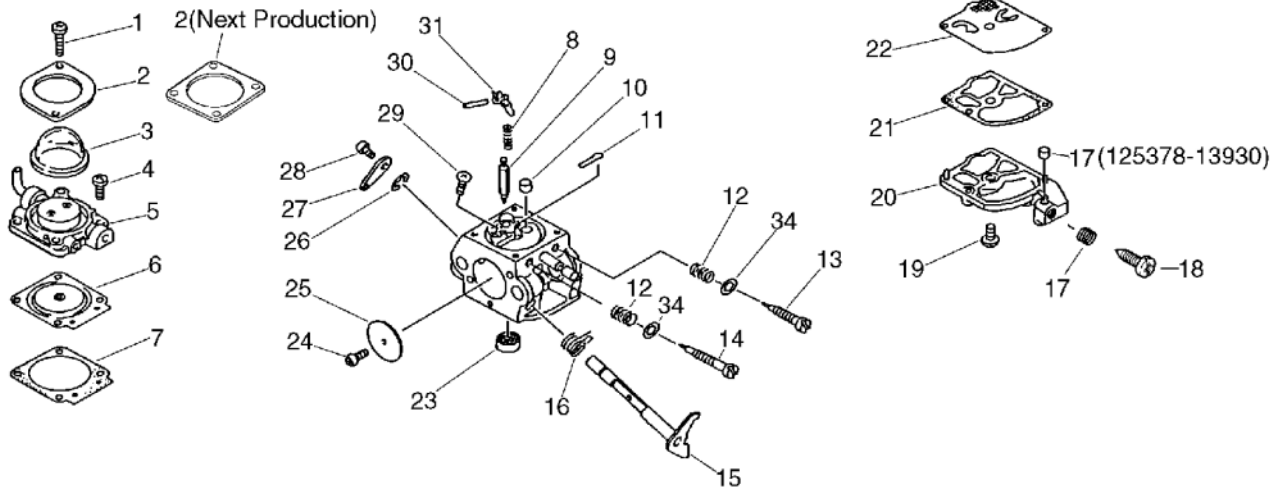
No.9



KEY	LV	PART NUMBER	Q'TY	DESCRIPTION	REMARKS	NOTE1	NOTE2
3	+	125381-08660	1	PUMP, PRIMING			
4	+	125310-05360	2	SCREW		Can not be used on 1125200- 08563,08564	
5	+	125383-08360	1	BASE, PRIMER			
5	+	P005-000610	1	BASE, PRIMER		Can be used on 1125200- 08563,08564	
6	+	125341-08360	1	DIAPHRAGM			
7	+	125340-34530	1	GASKET, DIAPHRAGM			
8	+	125322-07260	1	SPRING, COIL			
9	+	125337-08260	1	VALVE, INLET NEEDLE			
10	+	125376-08560	1	NOZZLE, CHECK VALVE		Sus. by P005- 001040	
10	+	P005-001040	1	NOZZLE, CHECK VALVE			
11	+	125345-15130	1	PLUG, WELCH			
12	+	125319-42030	2	SPRING, COIL		Sr/Nr 100933 and before	
13	+	125320-08560	1	NEEDLE, HIGH SPEED		Sr/Nr 100933 and before	
13	+	P005-000420	1	SCREW, MAIN MIXTURE		Sr/Nr 100934 and after	
14	+	125318-08560	1	NEEDLE, IDLE		Sr/Nr 100933 and before	
14	+	P005-000430	1	SCREW ASY IDLE MIX.		Sr/Nr 100934 and after	

9. Carburetor

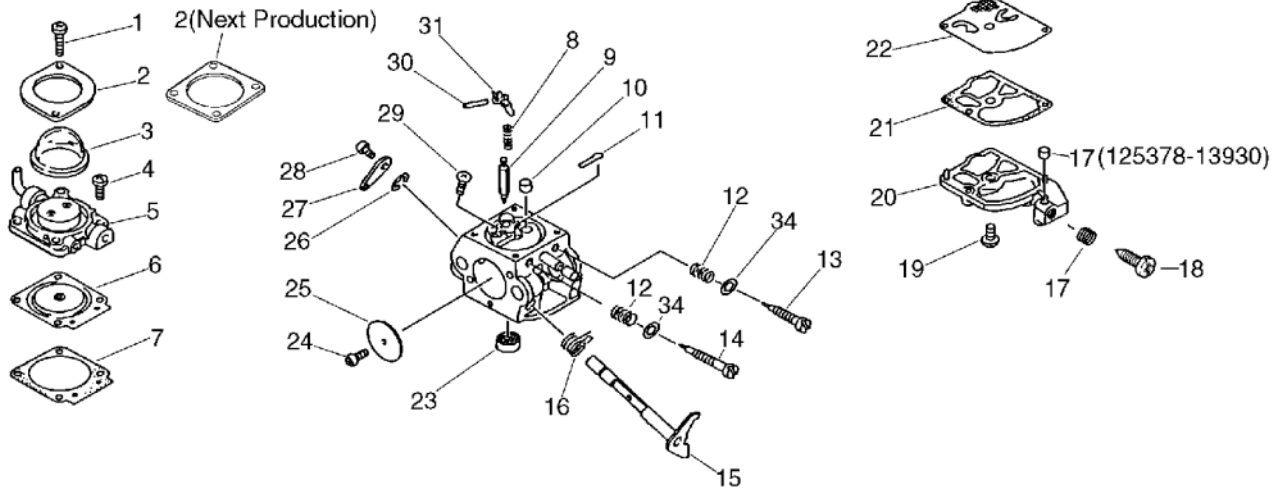
No.9



KEY	LV	PART NUMBER	Q'TY	DESCRIPTION	REMARKS	NOTE1	NOTE2
15	+	125317-08360	1	SHAFT, THROTTLE			
16	+	125313-08360	1	SPRING, THRT. RETURN			
17	+	125378-13930	1	PIECE, FRICTION		Sr/Nr 099783 and before	
17	+	125333-08560	1	SPRING, ADJUST SCREW		Sr/Nr 099784 and after	
18	+	125334-13930	1	SCREW, IDLE ADJUST		Sr/Nr 099783 and before	
18	+	125344-08560	1	SCREW		Sr/Nr 099784 and after	
19	+	125310-13930	1	SCREW			
20	+	125324-08360	1	COVER, PUMP			
21	+	125325-08360	1	GASKET, PUMP			
22	+	125312-08360	1	DIAPHRAGM, FUEL PUMP			
23	+	125326-08360	1	STRAINER			
24	+	125314-51230	1	SCREW	3*4.5		
25	+	125316-08560	1	VALVE, THROTTLE			
26	+	125327-13930	1	CLIP			
27	+	125350-08360	1	LEVER, THROTTLE			
28	+	125348-13930	1	SCREW			
29	+	125339-42030	1	SCREW		Can be used on the 125200-08560 only	

9. Carburetor

No.9



KEY	LV	PART NUMBER	Q'TY	DESCRIPTION	REMARKS	NOTE1	NOTE2
29	+	125339-13930	1	SCREW		Can be used on 125200-08261,- 08561 and -08562	
30	+	125338-13930	1	PIN, METERING ARM			
31	+	125323-08260	1	ARM, VALVE			
34	+	125353-20560	2	WASHER		Sr/Nr 100933 and before	
		125303-08360	1	GASKET/DIAPHRAGM KIT			
		125300-08560	1	REBUILD KIT			

10. Repair Kit

KEY	LV	PART NUMBER	Q'TY	DESCRIPTION	REMARKS	NOTE1	NOTE2
		889000-08262	1	GASKET KIT		Sus. by 889000-08263	
		889000-08263	1	GASKET KIT			
1-9	+	130016-06211	1	GASKET, INTAKE			
1-10	+	101010-10722	1	GASKET, CYL. BASE			
1-22	+	100242-10721	1	GASKET, CRANKCASE			
3-24	+	130016-03731	1	GASKET, CARBURETOR			
3-26	+	130016-06434	1	GASKET			
3-28	+	130010-10323	1	GASKET		Sus. by V103-000000	
3-28	+	V103-000000	1	GASKET,INTAKE			
2-44	+	145510-06210	2	GASKET, MUFFLER		Sus. by 145510-06211	
2-44	+	145510-06211	2	GASKET, MUFFLER			
2-46	+	145866-04261	1	GASKET			
	+	101010-06211	1	GASKET, CYL. BASE			
		125303-08360	1	GASKET/DIAPHRAGM KIT			
9-6	+	125341-08360	1	DIAPHRAGM			
9-7	+	125340-34530	1	GASKET, DIAPHRAGM			
9-21	+	125325-08360	1	GASKET, PUMP			
9-22	+	125312-08360	1	DIAPHRAGM, FUEL PUMP			
		125300-08560	1	REBUILD KIT			
9-6	+	125341-08360	1	DIAPHRAGM			
9-7	+	125340-34530	1	GASKET, DIAPHRAGM			
9-8	+	125322-07260	1	SPRING, COIL			
9-9	+	125337-08260	1	VALVE, INLET NEEDLE			

10. Repair Kit

KEY	LV	PART NUMBER	Q'TY	DESCRIPTION	REMARKS	NOTE1	NOTE2
9-11	+	125345-15130	1	PLUG, WELCH			
9-21	+	125325-08360	1	GASKET, PUMP			
9-22	+	125312-08360	1	DIAPHRAGM, FUEL PUMP			
9-23	+	125326-08360	1	STRAINER			
9-30	+	125338-13930	1	PIN, METERING ARM			
9-31	+	125323-08260	1	ARM, VALVE			

Index

Patrs Number	Key No.	Patrs Number	Key No.	Patrs Number	Key No.
100000-03210	1 - 11	125300-08560	9 -	125376-08560	9 - 10
100011-10530	1 - 12	125303-08360	10 -	125378-13930	9 - 17
100012-12330	1 - 15	125303-08360	9 -	125381-08660	9 - 3
100012-12331	1 - 15	125310-05360	9 - 4	125381-46730	9 - 3
100013-00410	1 - 13	125310-13930	9 - 19	125383-08360	9 - 5
100015-00120	1 - 14	125312-08360	10 - 9-22	129011-08260	3 - 22
100100-06210	1 - 32	125312-08360	10 - 9-22	130007-03460	3 - 27
100204-08260	1 - 17	125312-08360	9 - 22	130007-03461	3 - 27
100204-08261	1 - 17	125313-08360	9 - 16	130007-08260	3 - 27
100213-00310	1 - 21	125314-51230	9 - 24	130007-08261	3 - 27
100213-00310	1 - 24	125316-08560	9 - 25	130010-10322	3 - 28
100213-02830	1 - 24	125317-08360	9 - 15	130010-10323	10 - 3-28
100215-03930	1 - 19	125318-08560	9 - 14	130010-10323	3 - 28
100242-10720	1 - 22	125319-42030	9 - 12	130016-03730	3 - 24
100242-10721	10 - 1-22	125320-08560	9 - 13	130016-03731	10 - 3-24
100242-10721	1 - 22	125322-07260	10 - 9-8	130016-03731	3 - 24
100270-08260	5 - 13	125322-07260	9 - 8	130016-06210	1 - 9
100905-08260	6 - 13	125323-08260	10 - 9-31	130016-06211	10 - 1-9
100905-08261	6 - 13	125323-08260	9 - 31	130016-06211	1 - 9
100907-08260	6 - 14	125324-08360	9 - 20	130016-06433	3 - 26
101010-06211	10 -	125325-08360	10 - 9-21	130016-06434	10 - 3-26
101010-10721	1 - 10	125325-08360	10 - 9-21	130016-06434	3 - 26
101010-10722	10 - 1-10	125325-08360	9 - 21	130305-08360	3 - 9
101010-10722	1 - 10	125326-08360	10 - 9-23	130305-08361	3 - 9
101011-08260	1 - 6	125326-08360	9 - 23	130307-08260	3 - 10
101011-08261	1 - 6	125327-13930	9 - 26	130307-08360	3 - 10
101514-08260	1 - 8	125333-08560	9 - 17	130308-08260	3 - 6
101576-08260	1 - 3	125334-13930	9 - 18	130308-08360	3 - 6
104012-08260	5 - 14	125337-08260	10 - 9-9	130310-08260	3 - 9
104913-08260	5 - 22	125337-08260	9 - 9	130317-08360	3 - 5
104913-08360	5 - 21	125338-13930	10 - 9-30	130341-08260	3 - 7
104913-08360	5 - 22	125338-13930	9 - 30	130405-08260	3 - 23
104915-08260	6 - 9	125339-13930	9 - 29	130405-09860	3 - 23
104925-08260	5 - 21	125339-42030	9 - 29	130405-09861	3 - 23
125200-08260	3 - 25	125340-34530	10 - 9-7	130405-09862	3 - 23
125200-08260	9 -	125340-34530	10 - 9-7	130711-08260	3 - 16
125200-08261	3 - 25	125340-34530	9 - 7	130715-04260	3 - 15
125200-08261	9 -	125341-08360	10 - 9-6	130715-08260	3 - 15
125200-08560	3 - 25	125341-08360	10 - 9-6	131010-08260	4 - 12
125200-08560	9 -	125341-08360	9 - 6	131010-08261	4 - 12
125200-08561	3 - 25	125344-05360	9 - 1	131010-08262	4 - 12
125200-08561	9 -	125344-05360	9 - 1	131010-08263	4 - 12
125200-08562	3 - 25	125344-08560	9 - 18	131010-08264	4 - 12
125200-08562	9 -	125345-15130	10 - 9-11	131010-08265	4 - 12
125200-08563	3 - 25	125345-15130	9 - 11	131010-08266	4 - 12
125200-08563	9 -	125348-13930	9 - 28	131015-21330	4 - 8
125200-08564	3 - 25	125350-08360	9 - 27	131016-21060	4 - 9
125200-08564	9 -	125353-20560	9 - 34	131016-21230	4 - 9
125300-08560	10 -	125363-08560	9 - 2	131032-08260	3 - 11

Index

Patrs Number	Key No.	Patrs Number	Key No.	Patrs Number	Key No.
131032-08360	3 - 11	177218-40630	2 - 24	300105-08260	6 - 7
131051-27230	4 - 1	177220-11120	2 - 33	300105-08261	6 - 7
131053-03060	4 - 4	177226-11120	2 - 30	300217-00610	6 - 5
131205-19830	4 - 19	177227-42030	2 - 31	300217-00610	6 - 21
131205-30830	4 - 19	177228-01110	2 - 32	300300-08260	6 - 3
131314-06320	4 - 7	177234-40630	2 - 23	300300-08261	6 - 3
131314-22330	4 - 7	177236-40630	2 - 27	300333-06160	6 - 8
131600-07460	4 - 5	178001-08260	8 - 21	300614-08260	6 - 17
131600-09860	4 - 5	178001-08360	8 - 21	305812-07560	8 - 15
131600-09861	4 - 5	178010-07560	8 - 8	305812-08260	8 - 15
131604-09860	4 - 5	178010-07561	8 - 9	351010-08260	5 - 8
131925-02310	6 - 10	178021-08260	8 - 19	351011-07560	8 - 18A
132011-08260	4 - 14	178054-07560	8 - 10	351028-07560	8 - 18B
132012-08261	4 - 18	178076-08360	3 - 30	351110-08260	5 - 7
132015-08260	4 - 21	178082-08260	8 - 24	351146-07560	8 - 5
132016-08260	4 - 15	178100-08261	8 - 26	351311-07560	8 - 6B
132021-08260	4 - 16	178100-08262	8 - 26	351315-07560	8 - 6A
132115-02960	4 - 17	178100-08263	8 - 26	351335-08260	5 - 2
145510-06210	10 - 2-44	178101-08260	5 - 18	351337-08260	5 - 1
145510-06210	1 - 4	178121-08360	7 - 13	889000-08262	10 -
145510-06210	2 - 44	178121-09860	7 - 13	889000-08263	10 -
145510-06211	10 - 2-44	178121-43230	4 - 25	890112-08260	5 - 15
145510-06211	1 - 4	178123-07561	8 - 9	890115-08260	5 - 12
145510-06211	2 - 44	178127-03460	4 - 22	890118-49330	2 - 36
145800-08260	2 - 43	178127-47530	8 - 22	890147-06160	4 - 6
145862-06720	2 - 45	178516-07560	8 - 16	890147-08260	4 - 6
145866-04261	10 - 2-46	200005-08260	5 - 23	890157-06560	8 - 25
145866-04261	2 - 46	200010-09860	5 - 23	890158-08260	3 - 19
145874-08261	2 - 47	200105-08260	5 - 20	890158-08261	3 - 19
151112-04630	1 - 27	200111-08260	5 - 25	890160-06360	5 - 11
156111-06160	2 - 12	200111-08261	5 - 25	890160-06361	5 - 11
156601-08260	2 - 10	200111-08262	5 - 25	890160-09460	5 - 9
156601-09860	2 - 10	200111-08263	5 - 25	890160-09461	5 - 9
156601-09861	2 - 10	200111-08264	5 - 25	890187-08360	3 - 4
156800-06160	2 - 8	200111-08265	5 - 25	890560-90660	5 - 31
156800-06161	2 - 8	200124-09860	5 - 29	895410-03930	7 - 20
159010-10230	2 - 15	210005-08260	7 - 14	895410-39130	7 - 20
159010-19630	2 - 15	210011-08260	7 - 14	895410-39130	7 - 20
159012-10230	2 - 13	210013-08360	7 - 12	895410-39131	7 - 20
159016-05330	2 - 14	210015-03460	7 - 6	900105-05060	5 - 5
159116-21231	5 - 28	210019-07560	8 - 20	900105-06020	2 - 50
159129-08260	1 - 25	210023-03460	7 - 5	900106-05020	2 - 49
162021-08260	2 - 11	210400-04260	7 - 10	900162-04018	2 - 35
163400-08261	8 - 7	212005-07560	7 - 8	900162-05020	1 - 5
163400-08262	8 - 7	300010-08260	6 - 11	900162-05020	2 - 49
177200-08260	2 - 26	300010-08360	6 - 11	900162-05020	5 - 24
177202-06210	2 - 20	300010-08361	6 - 11	900162-05022	1 - 5
177214-40630	2 - 28	300012-08260	6 - 15	900162-05025	3 - 29
177215-11120	2 - 29	300032-08360	6 - 19	900162-05032	1 - 28

Index

Patrs Number	Key No.	Patrs Number	Key No.	Patrs Number	Key No.
900162-05040	1 - 20	900605-00010	2 - 6		
900163-04018	2 - 35	900700-00004	2 - 21		
900209-05014	3 - 13	900702-00035	1 - 23		
900209-05014	6 - 4	900810-36202	1 - 18		
900209-05014	6 - 16	91371-06020	6 - 20		
900209-05020	4 - 11	91540-05014	3 - 13		
900209-05020	6 - 18	91540-05014	6 - 4		
900220-05050	3 - 20	A130-000210	1 - 6		
900235-05025	7 - 11	A221-000000	3 - 23		
900235-06020	8 - 13	A244-000020	3 - 22		
900238-04010	2 - 48	A313-000250	2 - 47		
900238-05010	1 - 7	A358-000000	4 - 8		
900238-05010	5 - 17	P005-000420	9 - 13		
900238-05018	1 - 26	P005-000430	9 - 14		
900238-05018	2 - 9	P005-000610	9 - 5		
900238-05018	5 - 16	P005-000620	9 - 2		
900238-05025	3 - 18	P005-000980	9 - 1		
900238-05025	5 - 19	P005-001040	9 - 10		
900238-05040	1 - 20	P021-000251	6 - 14		
900238-05045	5 - 4	P021-000380	5 - 32		
900245-04010	8 - 4	P021-000382	5 - 32		
900246-03008	5 - 27	P021-000383	5 - 32		
900246-03012	5 - 27	P021-000384	5 - 32		
900253-05016	5 - 3	P021-000385	5 - 32		
900253-05016	5 - 34	P021-001760	6 - 3		
900253-05016	5 - 30	P021-001761	6 - 3		
900253-05016	6 - 12	P021-001831	2 - 43		
900253-05016	6 - 12	P021-001832	2 - 43		
900253-05020	8 - 17	P021-001833	2 - 43		
900253-05030	5 - 26	P021-002540	1 - 11		
900256-04022	8 - 14	P021-043140	3 - 17		
900319-30060	4 - 2	V103-000000	10 - 3-28		
900319-30070	4 - 2	V103-000000	3 - 28		
900323-03014	1 - 33	V401-000000	5 - 33		
900345-30025	3 - 8	V401-000001	5 - 33		
900500-00006	8 - 3	V401-000002	5 - 33		
900500-00006	8 - 23	V471-000770	4 - 18		
900501-00010	2 - 5	V495-000300	4 - 25		
900516-00005	3 - 14	V495-000430	7 - 10		
900516-00005	4 - 10				
900516-00005	5 - 10				
900516-00005	6 - 6				
900516-00005	6 - 6				
900600-00003	4 - 3				
900600-00005	5 - 6				
900602-00005	5 - 6				
900602-00010	2 - 7				
900603-00006	8 - 11				
900605-00006	8 - 12				

YAMABIKO CORPORATION

7-2 SUEHIROCHO 1-CHOME, OHME, TOKYO 198-8760, JAPAN
PHONE: 81-428-32-6118. FAX: 81-428-32-6145.



00_0
No.