



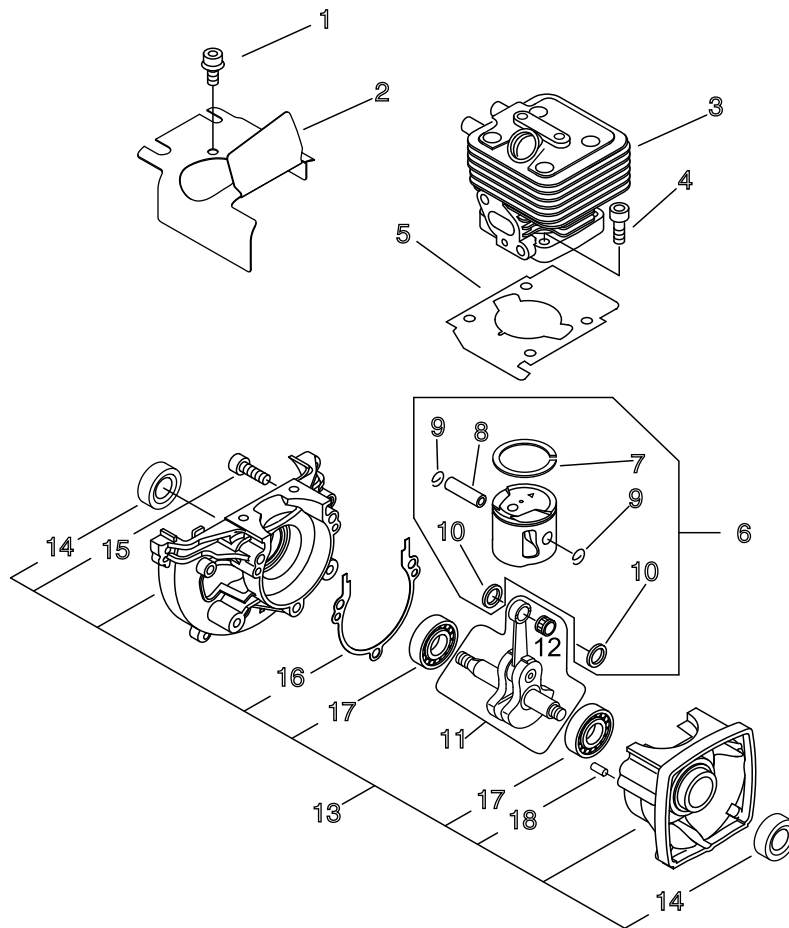
# **PARTS CATALOGUE**

## **HANDHELD BLOWER**

### **PB-251(37)**

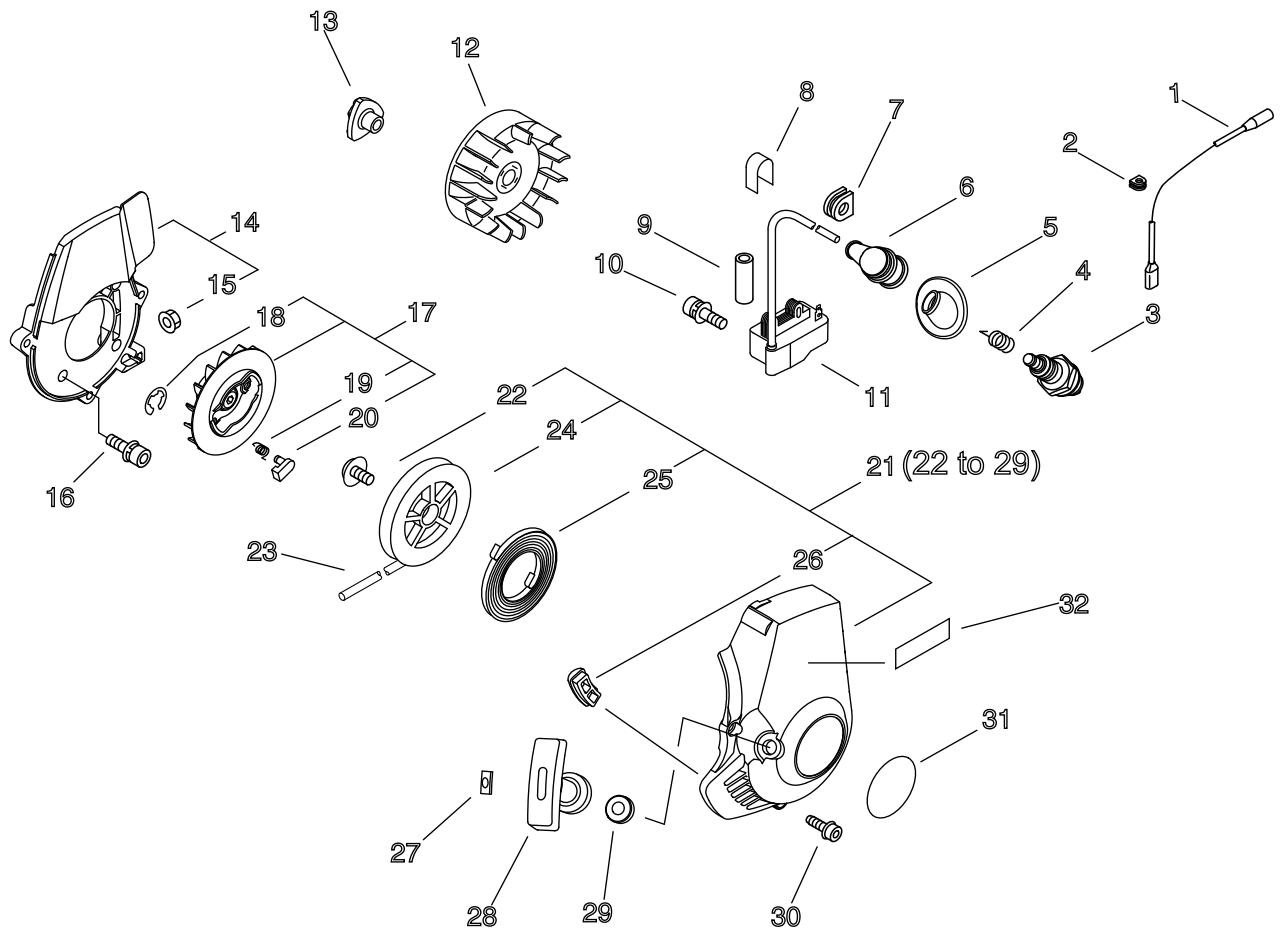
**37005852 - 37009052**

# 1. Cylinder, Crankcase, Piston



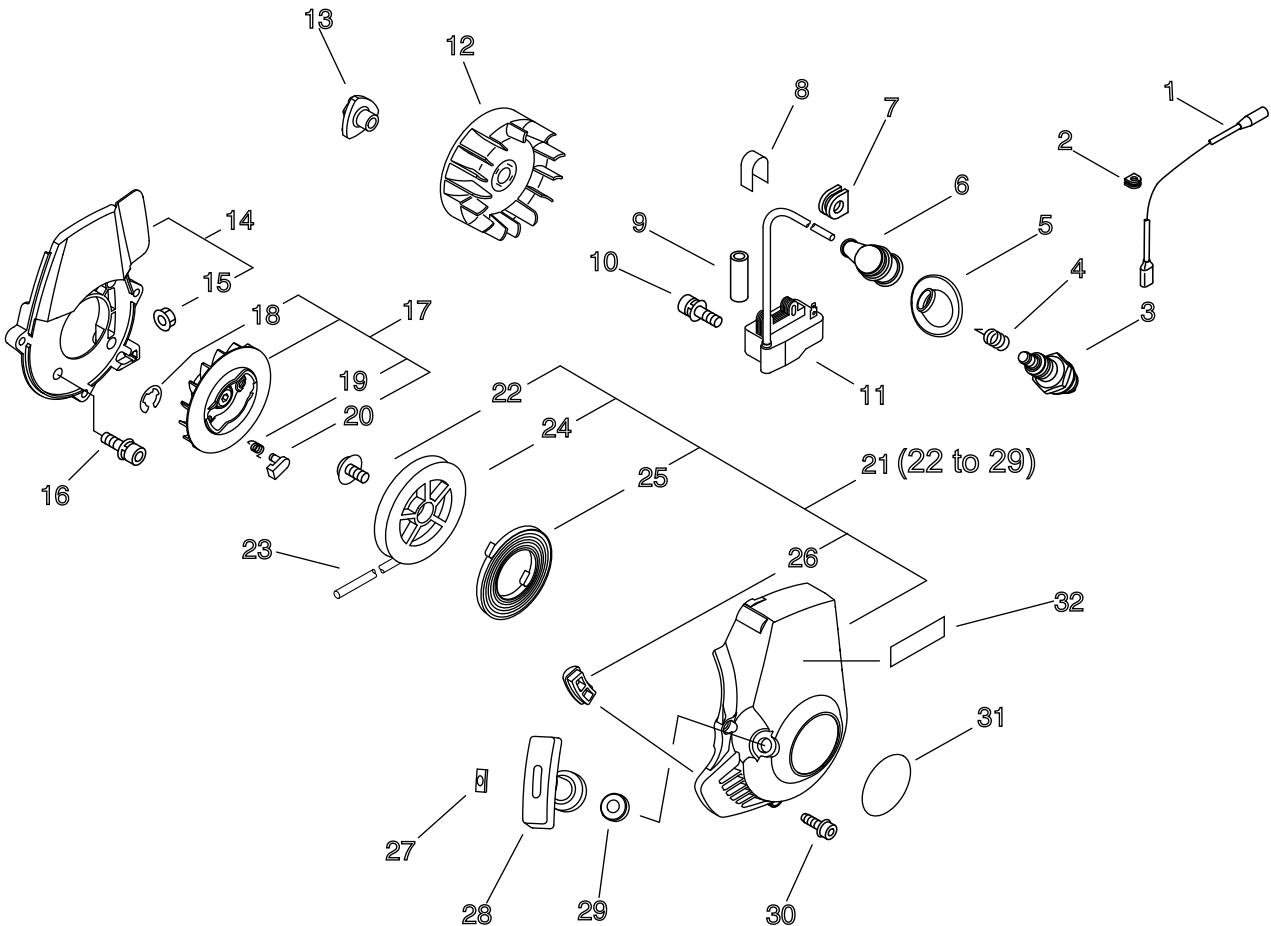
KEY	LV	PART NUMBER	Q'TY	DESCRIPTION	REMARKS	NOTE1	NOTE2
1		900106-05008	2	BOLT, H.S. 5* 8	5*8		
2		A160-000821	1	COVER,CYLINDER			
3		A130-000780	1	CYLINDER			
4		900162-05025	4	BOLT, H.S. 5*25	5*25 W,SW		
5		V100-000190	1	GASKET,CYL			
6		P021-010260	1	PISTON KIT			
7	+	A101-000140	1	RING, PISTON	B1.2 T1.5		
8	+	V606-000000	1	PIN,ENG 8	5*8*28		
9	+	100015-04630	2	CIRCLIP, PISTON PIN			
10	+	100014-11520	2	SPACER, PISTON PIN			
11		A011-000371	1	CRANKSHAFT,ASM			
12	+	V553-000060	1	BEARING,NEEDLE 8	HK0810FMV4		
13		P021-008231	1	CRANKCASE KIT			
14	+	100212-42031	2	OILSEAL	ISCD 12*22*4.5		
15	+	900162-05028	3	BOLT, H.S. 5*28	5*28 W,SW		
16	+	100242-42030	1	GASKET, CRANKCASE			
17	+	94035-36201	2	BEARING BALL	6201X3JR2C3		
18	+	100215-03930	2	PIN, DOWEL			

## 2. Starter, Magneto



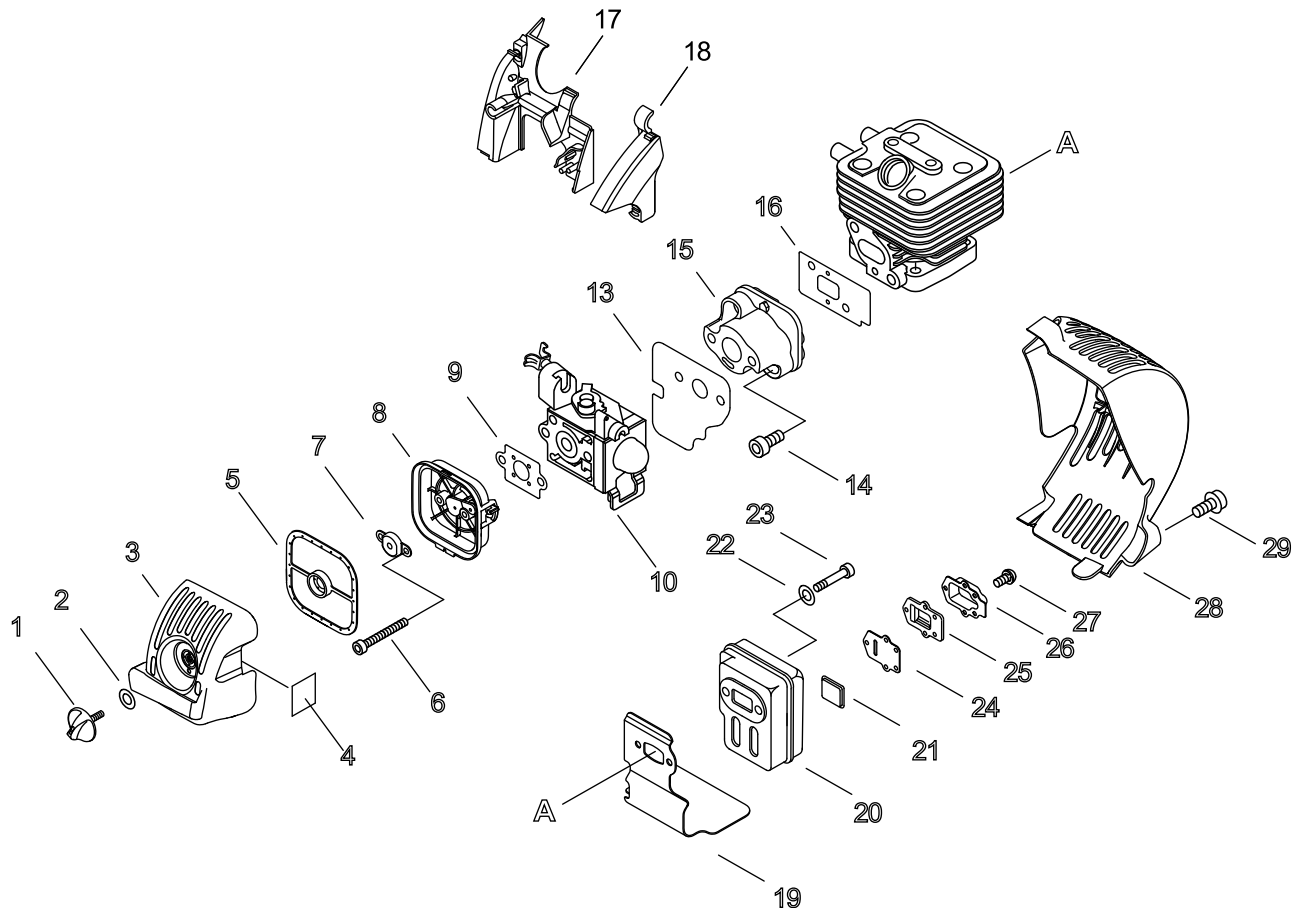
KEY	LV	PART NUMBER	Q'TY	DESCRIPTION	REMARKS	NOTE1	NOTE2
1		V485-000820	1	LEAD	CW104-#187		
2		152115-05530	1	BUSHING			
3		A425-000000	1	SPARKPLUG	BPMR8Y		
4		A426-000010	1	TERMINAL,SPARKPLUG			
5		A429-000010	1	COVER,CAP			
6		A427-000013	1	CAP,SPARK PLUG			
7		156110-04920	1	BUSHING			
8		X532-000720	1	LABEL,OPERATION	SPARKPLUG BPMR8Y		
9		V475-003380	1	TUBE			
10		91113-04020	2	BOLT	CM-4*20 SW,W		
11		A411-000290	1	COIL, IGNITION	EMG-60 ID#C10146		
12		A409-000210	1	ROTOR,MAGNETO			
13		E101-000071	1	HUB,FAN	M8*1.25		
14		P021-013780	1	SPACER			
15	+	V263-000070	1	NUT,5			
16	+	900163-04016	4	BOLT HSH			
17		A052-000200	1	PULLEY,ASM STARTER			
18	+	P022-002100	2	E-RING	4		
19	+	177234-12220	2	SPRING, PAWL			
20	+	P022-006850	2	PAWL, STARTER			
21		A051-001060	1	STARTER.RECOIL ASY			
22	+	177236-44330	1	SCREW			
23	+	P022-008260	1	ROPE	3M/M		
24	+	177215-44430	1	DRUM, STARTER			

2. Starter, Magneto



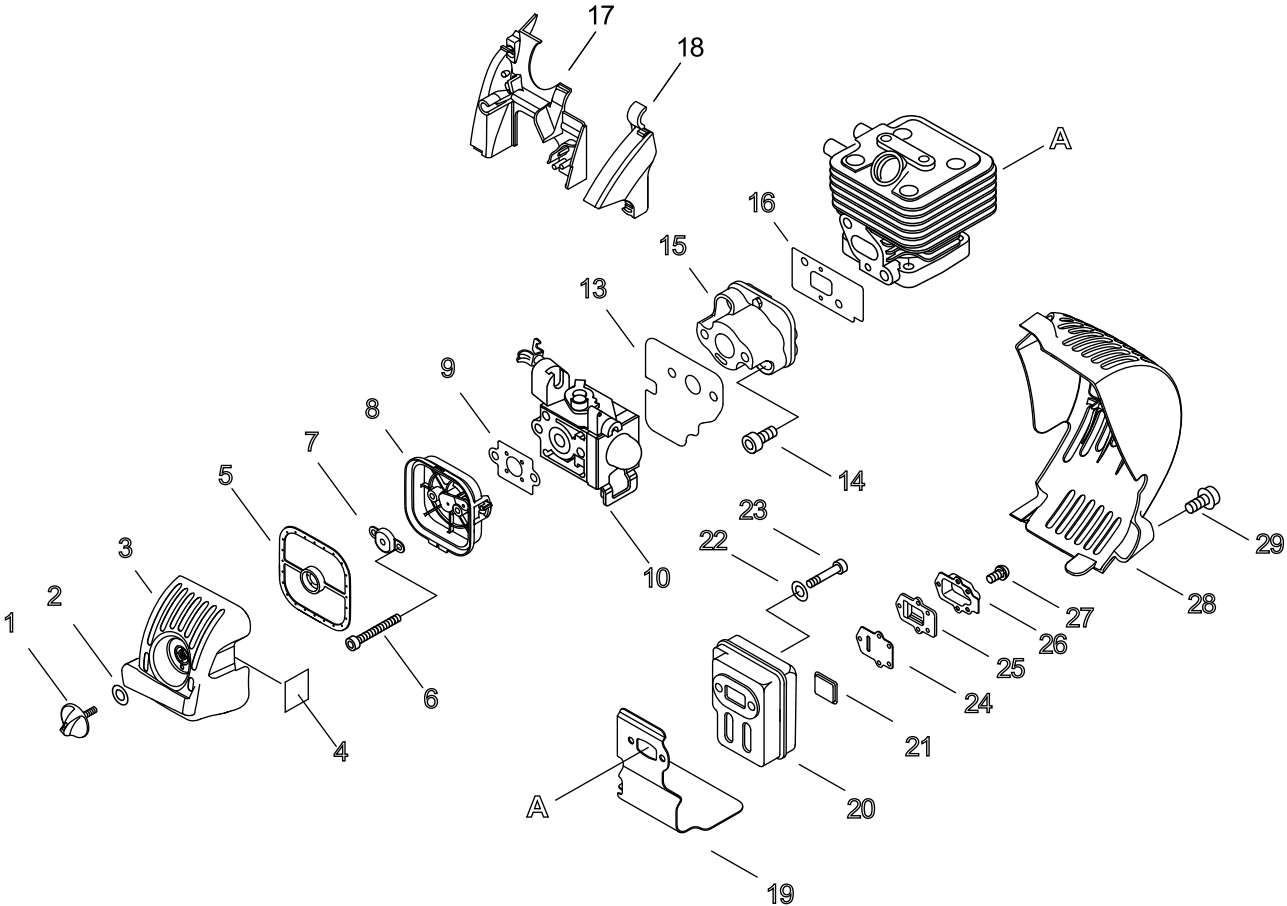
KEY	LV	PART NUMBER	Q'TY	DESCRIPTION	REMARKS	NOTE1	NOTE2
25	+	177220-42030	1	SPRING, REWIND			
26	+	V420-001440	1	CUSHION			
27	+	177246-11120	1	CLIP, STARTER ROPE			
28	+	177228-27030	1	GRIP, STARTER			
29	+	177227-42030	1	GUIDE, ROPE			
30		900106-05014	3	BOLT, H.S. 5*14	5*14		
31		X502-000330	1	LABEL,ECHO	ECHO		
32		X503-008160	1	LABEL,MODEL	PB-251		

### 3. Air Cleaner, Carbuertor, Muffler



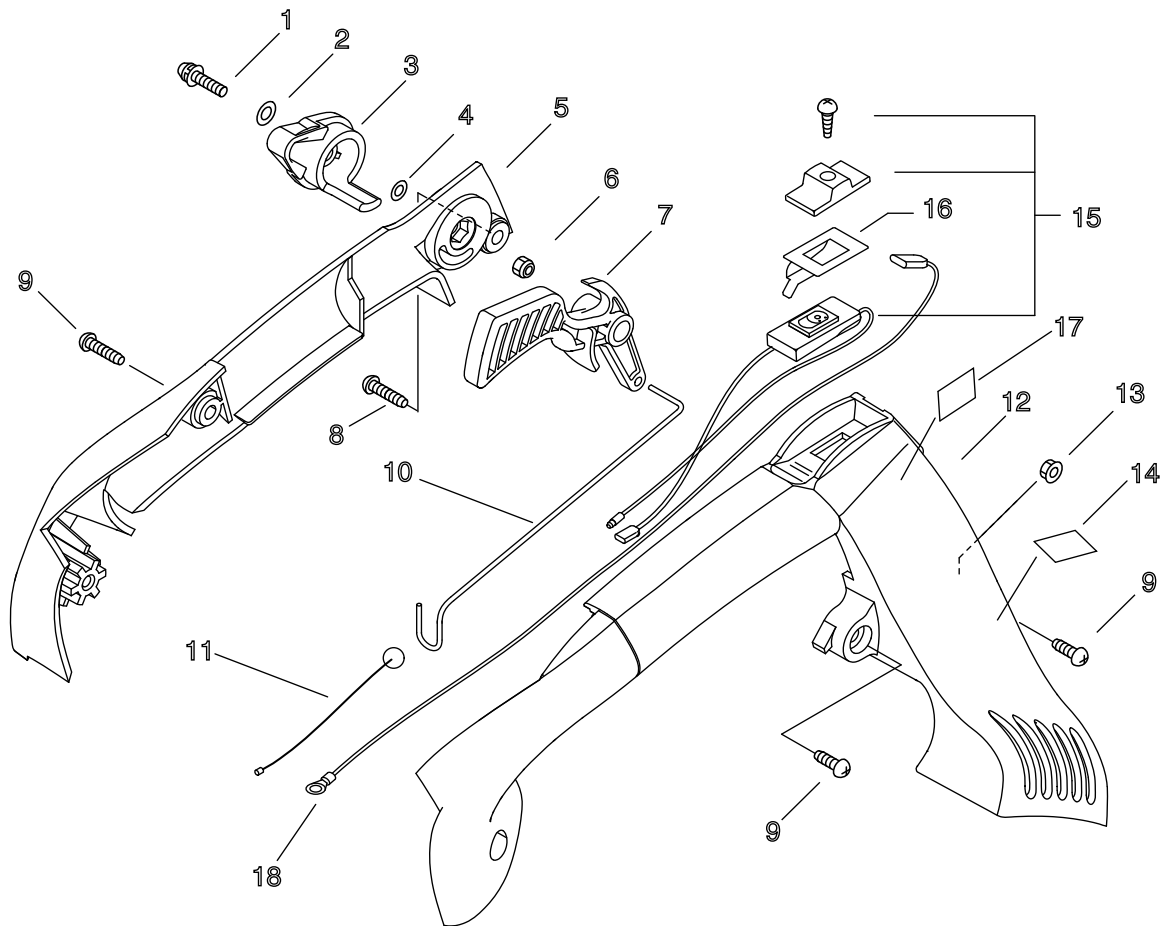
KEY	LV	PART NUMBER	Q'TY	DESCRIPTION	REMARKS	NOTE1	NOTE2
1		V299-000250	1	KNOB,FASTENER			
2		131911-03460	1	WASHER			
3		A232-000340	1	LID,CLEANER	ID#1220		
4		X506-000090	1	LABEL,CHOKE			
5		A226-000350	1	ELEMENT, AIR FILTER			
6		900105-05060	2	BOLT, H.S. 5*60	5*60		
7		A244-000070	1	PLATE,PREVENT			
8		P021-010980	1	CLEANER CASE ASY			
9		130016-42031	1	GASKET, INTAKE			
10		A021-001590	1	CARBURETOR,DIAPHRAGM			
13		V103-000400	1	GASKET,INTAKE			
14		900162-05025	2	BOLT, H.S. 5*25	5*25 W,SW		
15		A200-000280	1	INSULATOR, INTAKE			
16		V103-000390	1	GASKET,INTAKE			
17		A160-000830	1	COVER,CYLINDER			
18		C459-000010	1	COVER,THROTTLE			
19		V104-000820	1	GASKET,EXHAUST	NP7002		
20		A300-000141	1	MUFFLER,EXHAUST			
21		A310-000070	1	SCREEN, ARRESTOR	22*28*3		
22		900603-00005	2	WASHER 5	5.5*12*0.8		
23		V203-000190	2	BOLT,5	AN A2-70		
24		V104-000830	1	GASKET,EXHAUST			
25		A313-000840	1	GUIDE, EXHAUST	20.5*3		
26		A313-000850	1	GUIDE, EXHAUST	ID#1190		
27		91367-04010	5	SCREW	4*10/SW(SUS)		
28		P021-011200	1	COVER,MUFFLER KIT			

3. Air Cleaner, Carbuertor, Muffler



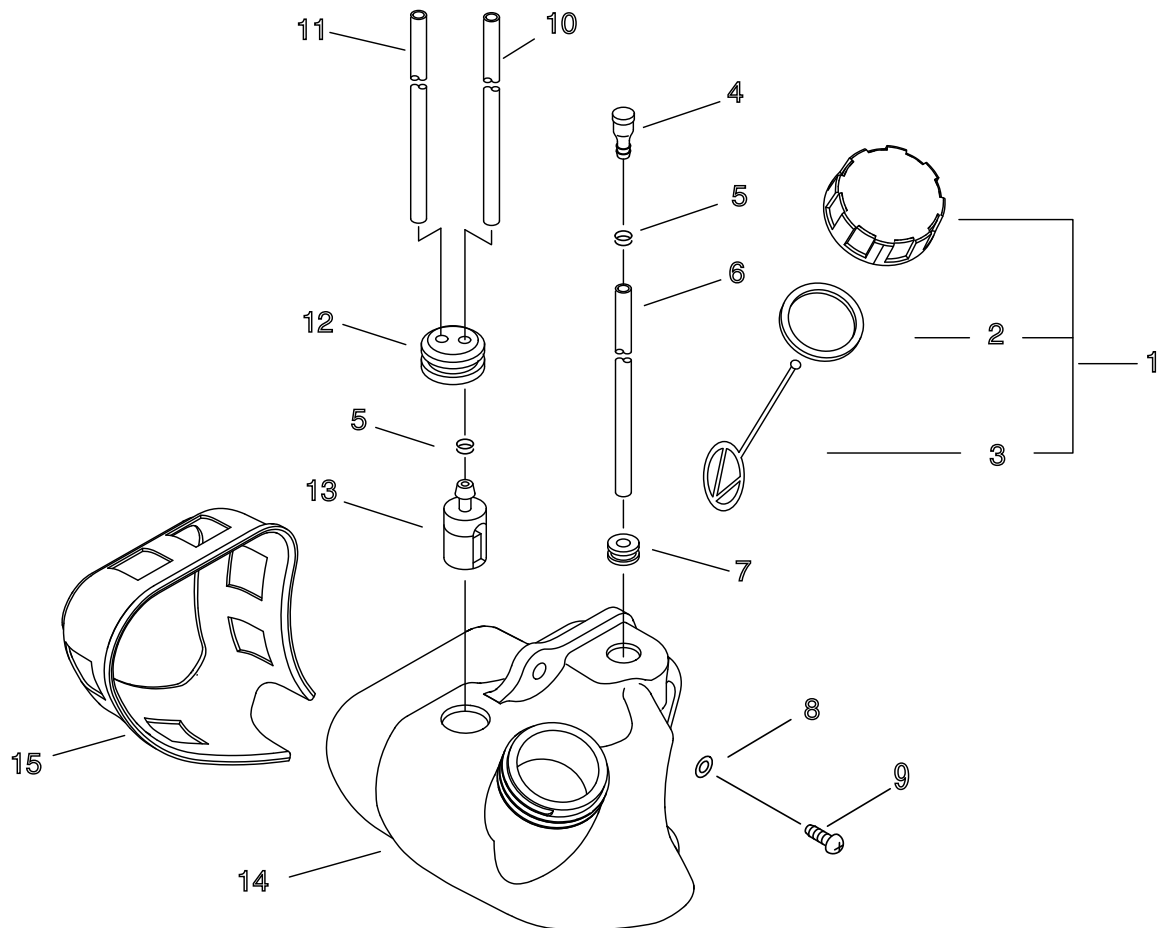
KEY	LV	PART NUMBER	Q'TY	DESCRIPTION	REMARKS	NOTE1	NOTE2
29		900106-05014	2	BOLT, H.S. 5*14	5*14		

## 4. Handle



KEY	LV	PART NUMBER	Q'TY	DESCRIPTION	REMARKS	NOTE1	NOTE2
1		900238-05025	1	SCREW 5*25	5*25		
2		900602-00005	1	WASHER 5	5.3*10*1		
3		C453-000260	1	LEVER, THROTTLE			
4		900603-00005	1	WASHER 5	5.5*12*0.8		
5		C411-000010	1	LID,HANDLE	PB-251		
6		900562-50005	1	LOCKNUT 5	5		
7		C450-000241	1	CONTROL, THROTTLE			
8		900253-05025	1	SCREW 5*25	5*25		
9		900253-05020	3	SCREW 5*20	5*20		
10		C454-000130	1	ROD, THROTTLE			
11		V431-000000	1	CABLE,INNER			
12		C400-000471	1	HANDLE, FRONT			
13		V263-000070	1	NUT,5			
14		X505-002310	1	LABEL,CAUTION	HOT CAUTION		
15		A440-000770	1	SWITCH, ON OFF	CA104/187 L140		
16		V486-000070	1	TERMINAL,LEAD	C2801P-1/4H		
17		890157-06560	1	LABEL, SWITCH			
18		V485-000830	1	LEAD	187 / LA105 L250		

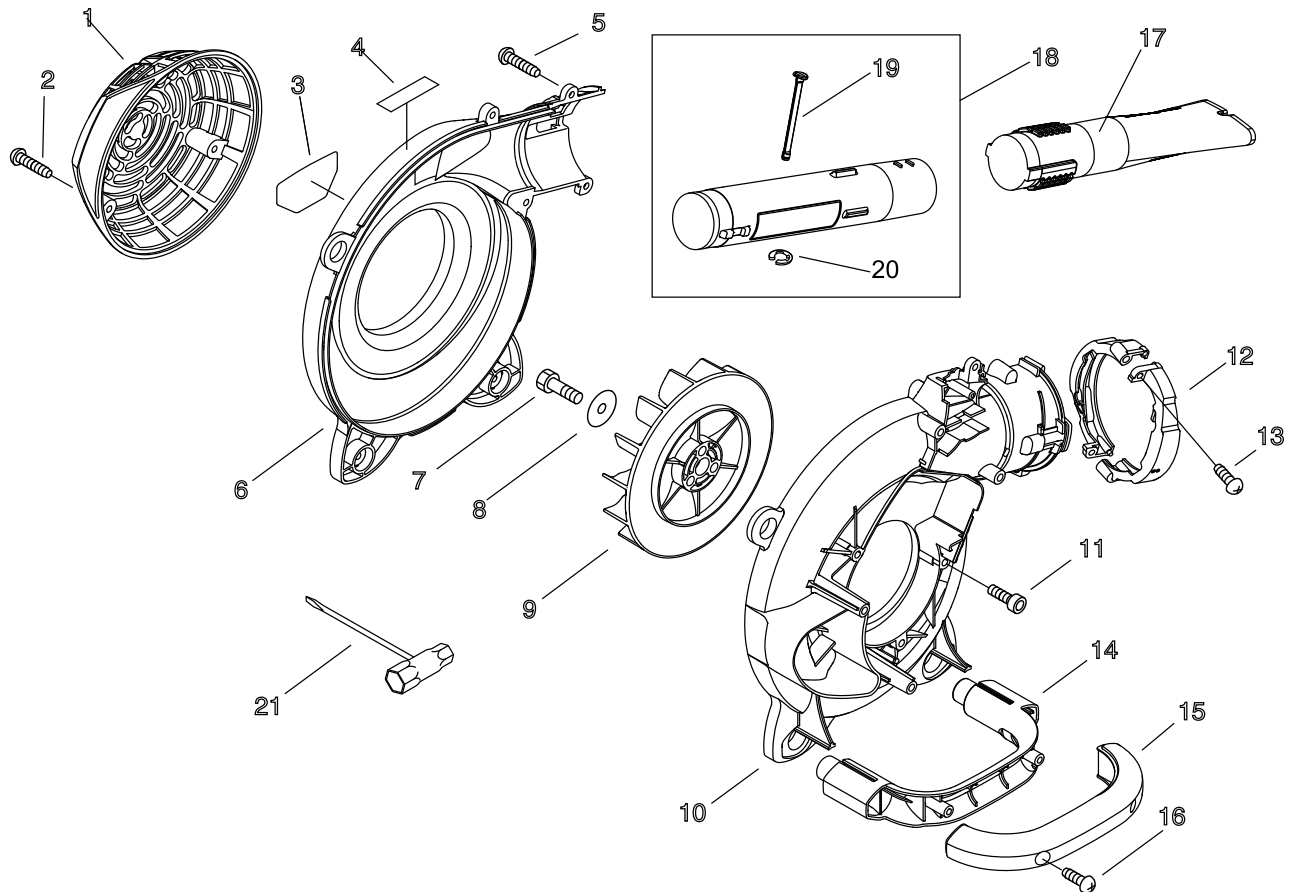
## 5. Fuel Tank



KEY	LV	PART NUMBER	Q'TY	DESCRIPTION	REMARKS	NOTE1	NOTE2
1		131004-55530	1	CAP ASSY, FUEL TANK			
2	+	131016-55830	1	GASKET, FUEL CAP			
3	+	131051-56030	1	CLIP, FUEL CAP	100L		
4		A356-000030	1	VALVE,CHECK			
5		132013-09820	2	CLIP	6MM		
6		V471-001220	1	PIPE	3*5*50 NBR		
7		132115-01461	1	GROMMET			
8		900603-00005	2	WASHER 5	5.5*12*0.8		
9		900253-05020	2	SCREW 5*20	5*20		
10		V471-001860	1	PIPE	3*5*175		
11		132010-49730	1	PIPE 3*6*85	3*6*85 YL		
12		132115-44330	1	GROMMET			
13		131205-07320	1	STRAINER, FUEL			
14		A350-000550	1	TANK, FUEL			
15		V420-001430	1	CUSHION			

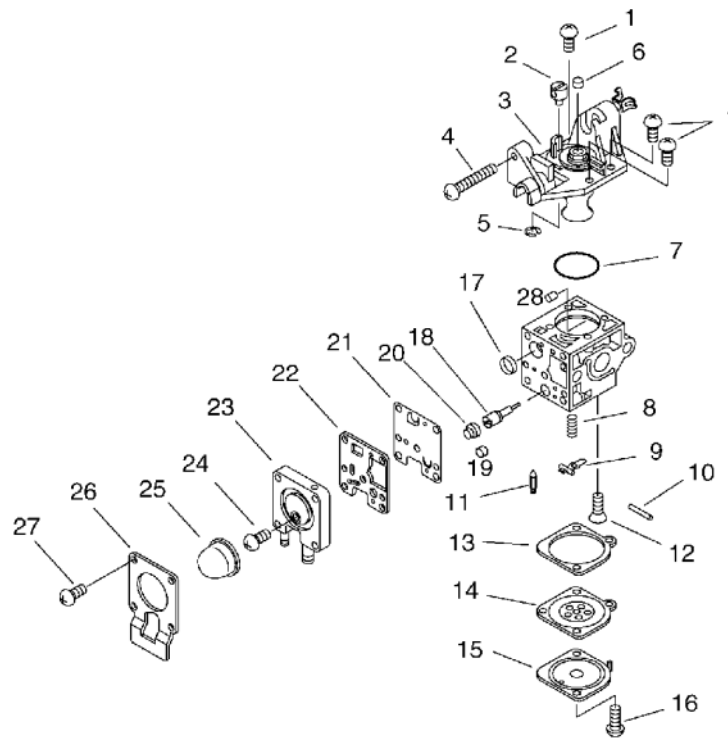


## 6. Fan Case, Blower Pipe



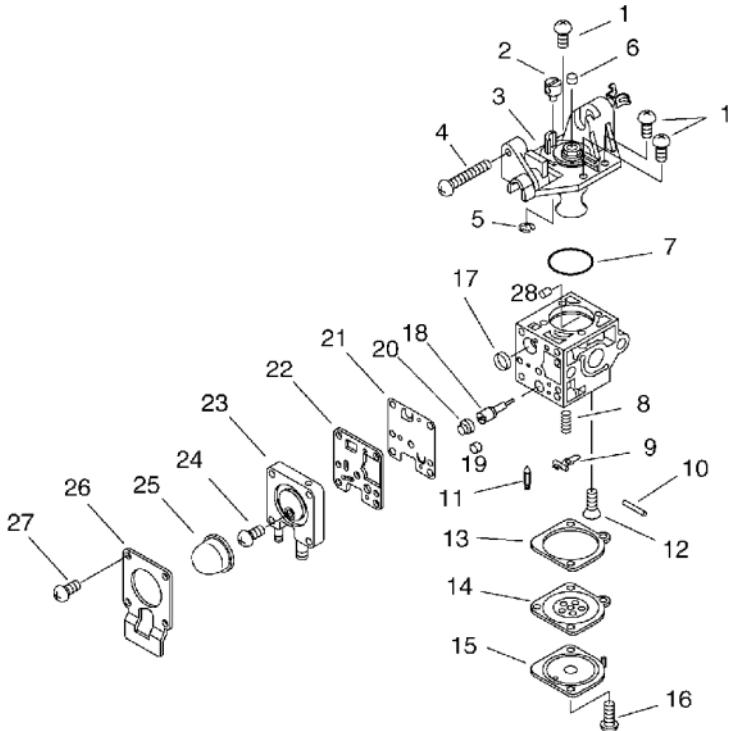
KEY	LV	PART NUMBER	Q'TY	DESCRIPTION	REMARKS	NOTE1	NOTE2
1		E104-000080	1	GRID, BLOWER			
2		900253-05020	3	SCREW 5*20	5*20		
3		X547-000520	1	LABEL,ECHO	PB-251		
4		X505-002080	1	LABEL,CAUTION			
5		900253-05020	8	SCREW 5*20	5*20		
6		E103-000461	1	CASE,FAN			
7		900100-08014	1	BOLT 8*14	8*14		
8		100143-19830	1	WASHER	8.2*31*0.8		
9		E100-000070	1	FAN,BLOWER			
10		E103-000451	1	CASE,FAN			
11		900162-04020	4	BOLT, H.S. 4*20	4*20 W,SW		
12		E162-000000	2	FIXTURE, BLOW PIPE			
13		900253-05020	2	SCREW 5*20	5*20		
14		C410-000391	1	HANDLE, REAR			
15		C410-000400	1	HANDLE, REAR			
16		900253-05020	2	SCREW 5*20	5*20		
17		E165-000191	1	PIPE,BLOWER			
18		E165-000210	1	PIPE,BLOWER			
19	+	E178-000050	1	GUARD,PIPE			
20	+	V583-000080	1	RING	CE-5		
21		895410-06960	1	WRENCH, W/S-DRIVER			

## 7. Carburettor



KEY	LV	PART NUMBER	Q'TY	DESCRIPTION	REMARKS	NOTE1	NOTE2
		A021-001590	1	CARBURETOR,DIAPHRAGM			
1	+	125344-13931	3	SCREW			
2	+	P005-001240	1	POST			
3	+	P005-002000	1	COVER ASY, ROTOR			
4	+	P005-000100	1	SCREW,THROTTLADJUST			
5	+	P005-000190	1	E-RING			
6	+	P005-001270	1	PLUG, H AJUST SCREW			
7	+	P005-000280	1	O-RING			
8	+	P005-000940	1	SPRING, METER. LEVER			
9	+	125323-08260	1	ARM, VALVE			
10	+	125338-13930	1	PIN, METERING ARM			
11	+	125337-08260	1	VALVE, INLET NEEDLE			
12	+	125339-42030	1	SCREW			
13	+	P005-000200	1	GASKET, METERING			
14	+	P005-001780	1	DIAPHRAGM			
15	+	125342-52130	1	COVER, DIAPHRAGM			
16	+	125344-52130	1	SCREW			
17	+	P005-000010	1	STRAINER			
18	+	P005-001260	1	SCREW,MAINN MIXTURE			
19		P005-001270	1	PLUG, H AJUST SCREW			
20	+	P005-001250	1	RETAINER,PLUG BALL			
21	+	P005-000510	1	DIAPHRAGM, PUMP			
22	+	P005-000520	1	GASKET, PUMP			
23	+	P005-001890	1	BASE, ASY PRIMER			
24	+	P005-000270	1	SCREW			
25	+	125381-08660	1	PUMP, PRIMING			

7. Carburettor



KEY	LV	PART NUMBER	Q'TY	DESCRIPTION	REMARKS	NOTE1	NOTE2
26	+	P005-000250	1	RETAINER			
27	+	P005-001900	4	SCREW			
28	+	P005-001000	1	ROLLER, GUIDE			

## 8. Repair Kit

KEY	LV	PART NUMBER	Q'TY	DESCRIPTION	REMARKS	NOTE1	NOTE2
		P005-001660	1	DIAPHRAGM/GASKET KIT			
7-13		P005-000200	1	GASKET, METERING			
7-14		P005-001780	1	DIAPHRAGM			
7-21		P005-000510	1	DIAPHRAGM, PUMP			
7-22		P005-000520	1	GASKET, PUMP			
		P005-001670	1	REBUILD KIT			
7-28		P005-001000	1	ROLLER, GUIDE			
7-17		P005-000010	1	STRAINER			
7-8		P005-000940	1	SPRING, METER. LEVER			
7-9		125323-08260	1	ARM, VALVE			
7-10		125338-13930	1	PIN, METERING ARM			
7-11		125337-08260	1	VALVE, INLET NEEDLE			
7-13		P005-000200	1	GASKET, METERING			
7-14		P005-001780	1	DIAPHRAGM			
7-21		P005-000510	1	DIAPHRAGM, PUMP			
7-22		P005-000520	1	GASKET, PUMP			
		P021-012350	1	GASKET KIT			
1-5		V100-000190	1	GASKET,CYL			
1-16		100242-42030	1	GASKET, CRANKCASE			
3-16		V103-000390	1	GASKET,INTAKE			
3-13		V103-000400	1	GASKET,INTAKE			
3-9		130016-42031	1	GASKET, INTAKE			
3-19		V104-000820	1	GASKET,EXHAUST	NP7002		
3-24		V104-000830	1	GASKET,EXHAUST			

**Index**

<b>Patrs Number</b>	<b>Key No.</b>	<b>Patrs Number</b>	<b>Key No.</b>	<b>Patrs Number</b>	<b>Key No.</b>
100014-11520	1 - 10	900163-04016	2 - 16	C454-000130	4 - 10
100015-04630	1 - 9	900238-05025	4 - 1	C459-000010	3 - 18
100143-19830	6 - 8	900253-05020	4 - 9	E100-000070	6 - 9
100212-42031	1 - 14	900253-05020	5 - 9	E101-000071	2 - 13
100215-03930	1 - 18	900253-05020	6 - 2	E103-000451	6 - 10
100242-42030	1 - 16	900253-05020	6 - 5	E103-000461	6 - 6
100242-42030	8 - 1-16	900253-05020	6 - 13	E104-000080	6 - 1
125323-08260	7 - 9	900253-05020	6 - 16	E162-000000	6 - 12
125323-08260	8 - 7-9	900253-05025	4 - 8	E165-000191	6 - 17
125337-08260	7 - 11	900562-50005	4 - 6	E165-000210	6 - 18
125337-08260	8 - 7-11	900602-00005	4 - 2	E178-000050	6 - 19
125338-13930	7 - 10	900603-00005	3 - 22	P005-000010	7 - 17
125338-13930	8 - 7-10	900603-00005	4 - 4	P005-000010	8 - 7-17
125339-42030	7 - 12	900603-00005	5 - 8	P005-000100	7 - 4
125342-52130	7 - 15	91113-04020	2 - 10	P005-000190	7 - 5
125344-13931	7 - 1	91367-04010	3 - 27	P005-000200	7 - 13
125344-52130	7 - 16	94035-36201	1 - 17	P005-000200	8 - 7-13
125381-08660	7 - 25	A011-000371	1 - 11	P005-000200	8 - 7-13
130016-42031	3 - 9	A021-001590	3 - 10	P005-000250	7 - 26
130016-42031	8 - 3-9	A021-001590	7 -	P005-000270	7 - 24
131004-55530	5 - 1	A051-001060	2 - 21	P005-000280	7 - 7
131016-55830	5 - 2	A052-000200	2 - 17	P005-000510	7 - 21
131051-56030	5 - 3	A101-000140	1 - 7	P005-000510	8 - 7-21
131205-07320	5 - 13	A130-000780	1 - 3	P005-000510	8 - 7-21
131911-03460	3 - 2	A160-000821	1 - 2	P005-000520	7 - 22
132010-49730	5 - 11	A160-000830	3 - 17	P005-000520	8 - 7-22
132013-09820	5 - 5	A200-000280	3 - 15	P005-000520	8 - 7-22
132115-01461	5 - 7	A226-000350	3 - 5	P005-000940	7 - 8
132115-44330	5 - 12	A232-000340	3 - 3	P005-000940	8 - 7-8
152115-05530	2 - 2	A244-000070	3 - 7	P005-001000	7 - 28
156110-04920	2 - 7	A300-000141	3 - 20	P005-001000	8 - 7-28
177215-44430	2 - 24	A310-000070	3 - 21	P005-001240	7 - 2
177220-42030	2 - 25	A313-000840	3 - 25	P005-001250	7 - 20
177227-42030	2 - 29	A313-000850	3 - 26	P005-001260	7 - 18
177228-27030	2 - 28	A350-000550	5 - 14	P005-001270	7 - 6
177234-12220	2 - 19	A356-000030	5 - 4	P005-001270	7 - 19
177236-44330	2 - 22	A409-000210	2 - 12	P005-001660	8 -
177246-11120	2 - 27	A411-000290	2 - 11	P005-001670	8 -
890157-06560	4 - 17	A425-000000	2 - 3	P005-001780	7 - 14
895410-06960	6 - 21	A426-000010	2 - 4	P005-001780	8 - 7-14
900100-08014	6 - 7	A427-000013	2 - 6	P005-001780	8 - 7-14
900105-05060	3 - 6	A429-000010	2 - 5	P005-001890	7 - 23
900106-05008	1 - 1	A440-000770	4 - 15	P005-001900	7 - 27
900106-05014	2 - 30	C400-000471	4 - 12	P005-002000	7 - 3
900106-05014	3 - 29	C410-000391	6 - 14	P021-008231	1 - 13
900162-04020	6 - 11	C410-000400	6 - 15	P021-010260	1 - 6
900162-05025	1 - 4	C411-000010	4 - 5	P021-010980	3 - 8
900162-05025	3 - 14	C450-000241	4 - 7	P021-011200	3 - 28
900162-05028	1 - 15	C453-000260	4 - 3	P021-012350	8 -

**Index**

<b>Patrs Number</b>	<b>Key No.</b>	<b>Patrs Number</b>	<b>Key No.</b>	<b>Patrs Number</b>	<b>Key No.</b>
P021-013780	2 - 14				
P022-002100	2 - 18				
P022-006850	2 - 20				
P022-008260	2 - 23				
V100-000190	1 - 5				
V100-000190	8 - 1-5				
V103-000390	3 - 16				
V103-000390	8 - 3-16				
V103-000400	3 - 13				
V103-000400	8 - 3-13				
V104-000820	3 - 19				
V104-000820	8 - 3-19				
V104-000830	3 - 24				
V104-000830	8 - 3-24				
V203-000190	3 - 23				
V263-000070	2 - 15				
V263-000070	4 - 13				
V299-000250	3 - 1				
V420-001430	5 - 15				
V420-001440	2 - 26				
V431-000000	4 - 11				
V471-001220	5 - 6				
V471-001860	5 - 10				
V475-003380	2 - 9				
V485-000820	2 - 1				
V485-000830	4 - 18				
V486-000070	4 - 16				
V553-000060	1 - 12				
V583-000080	6 - 20				
V606-000000	1 - 8				
X502-000330	2 - 31				
X503-008160	2 - 32				
X505-002080	6 - 4				
X505-002310	4 - 14				
X506-000090	3 - 4				
X532-000720	2 - 8				
X547-000520	6 - 3				

# YAMABIKO CORPORATION

7-2 SUEHIROCHO 1-CHOME, OHME, TOKYO 198-8760, JAPAN  
PHONE: 81-428-32-6118. FAX: 81-428-32-6145.



08Mb  
No. 64-089