



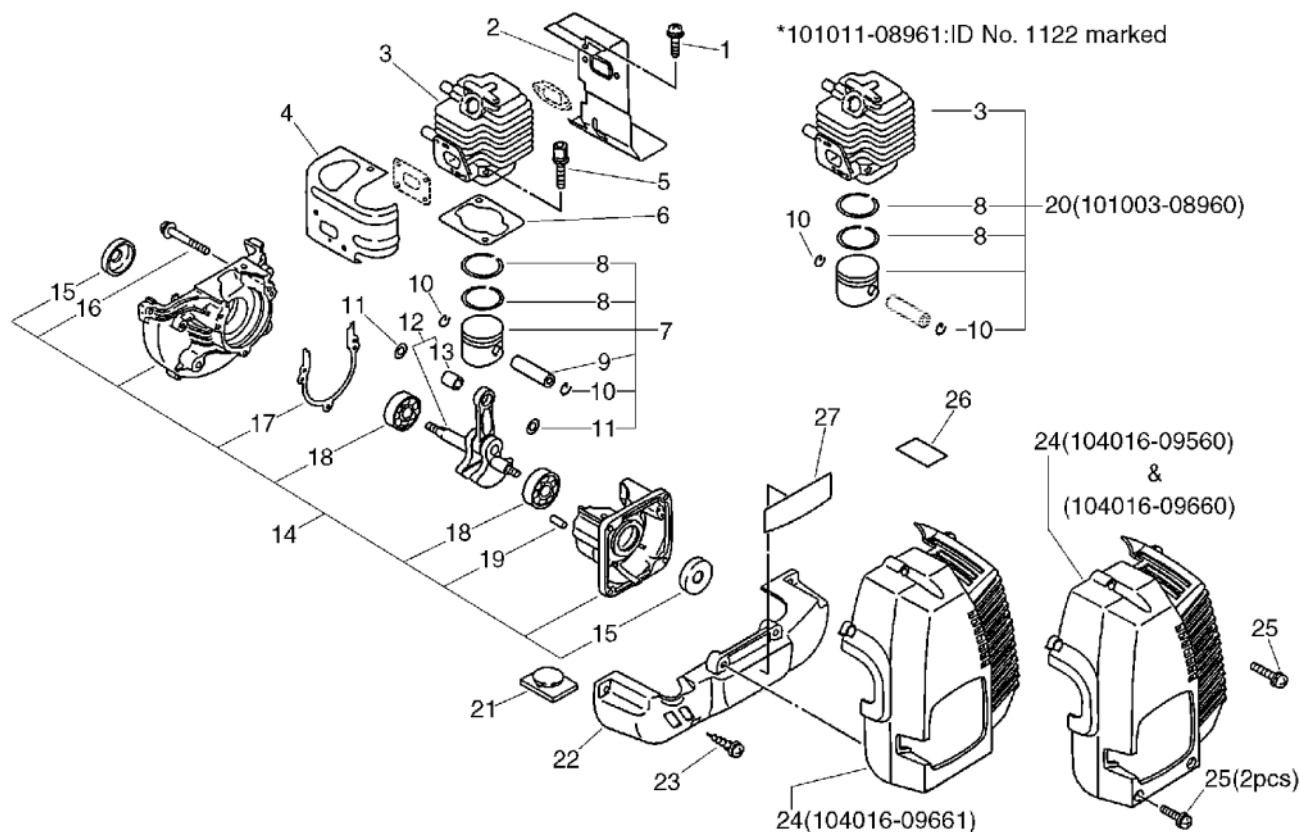
PARTS CATALOGUE

HANDHELD BLOWER

PB-2400

1. Cylinder, Crankcase, Piston

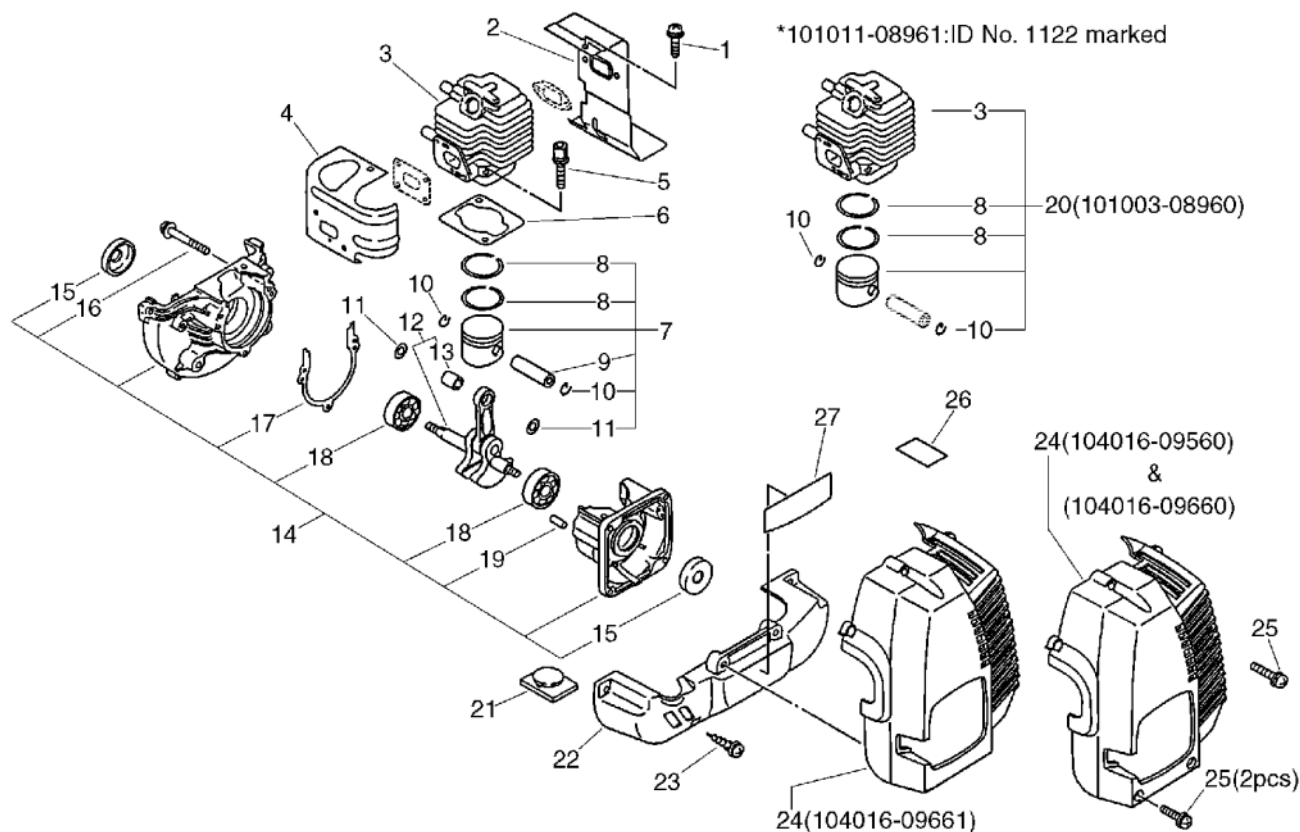
No.1



KEY	LV	PART NUMBER	Q'TY	DESCRIPTION	REMARKS	NOTE1	NOTE2
1		900238-05010	1	SCREW 5*10	5*10		
2		101576-09560	1	COVER, CYLINDER			
3		101011-09560	1	CYLINDER		Sr/Nr 049522 and before	
3		101011-08960	1	CYLINDER (CR)		Sus. by 101003-08960	
20		101003-08960	1	CYLINDER PISTON KIT			
3	+	101011-08961	1	CYLINDER (CR)		Sr/Nr 049523 and after	
8	+	100011-09560	2	RING, PISTON			
10	+	100015-04630	2	CIRCLIP, PISTON PIN			
4		101514-09560	1	COVER, CYLINDER			
5		900162-05022	2	BOLT, H.S. 5*22	5*22 W,SW		
6		101010-44330	1	GASKET, CYL. BASE		Sus. by 101010-44332	
6		101010-44331	1	GASKET, CYL. BASE		Sus. by 101010-44332	
6		101010-44332	1	GASKET, CYL. BASE			
7		100000-09560	1	PISTON KIT		Sus. by 100000-09563	
7		100000-09561	1	PISTON KIT		Sus. by 100000-09563	
7		100000-09562	1	PISTON KIT		Sus. by 100000-09563	
7		100000-09563	1	PISTON KIT			
8	+	100011-09560	2	RING, PISTON			

1. Cylinder, Crankcase, Piston

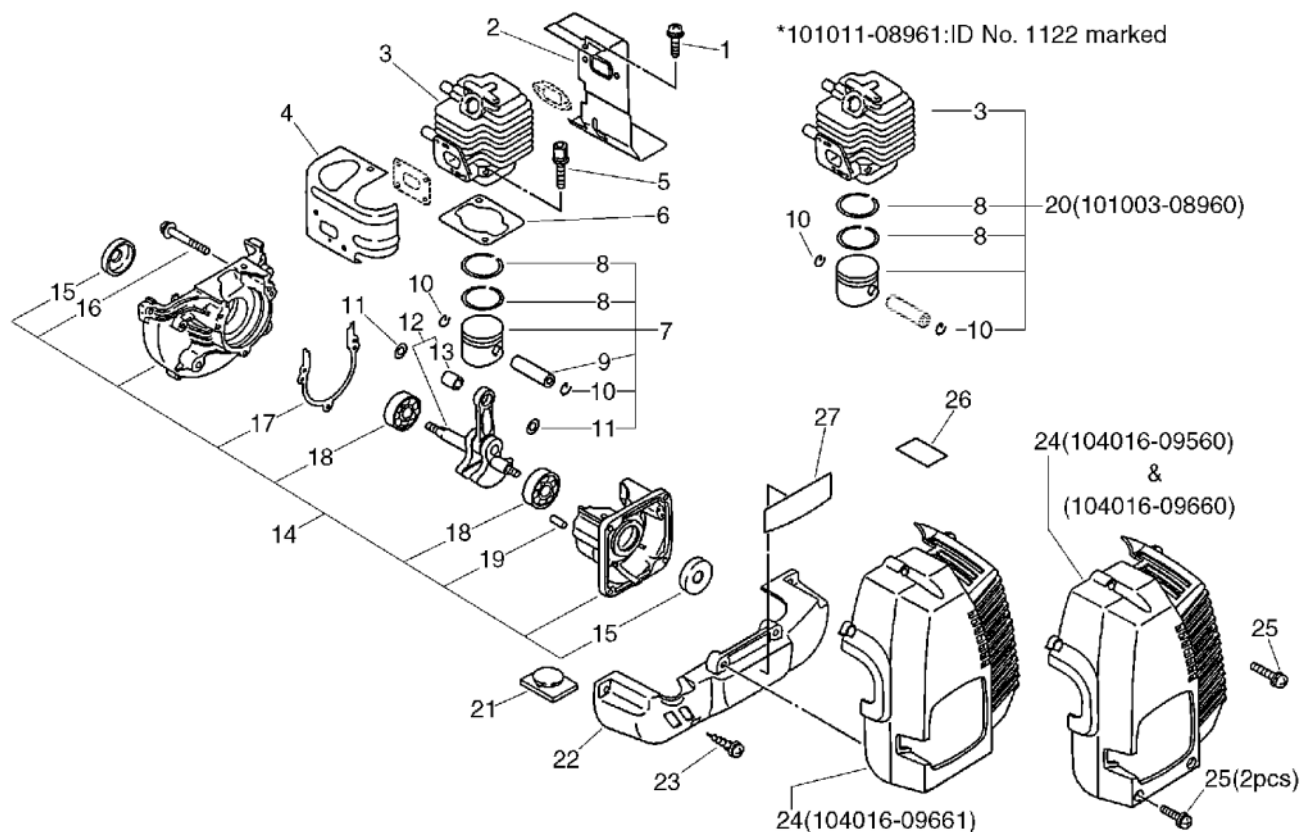
No.1



KEY	LV	PART NUMBER	Q'TY	DESCRIPTION	REMARKS	NOTE1	NOTE2
9	+	100013-11520	1	PIN, PISTON			
10	+	100015-04630	1	CIRCLIP, PISTON PIN			
11	+	100014-11520	2	SPACER, PISTON PIN			
12		100100-44731	1	CRANKSHAFT ASSY		Sus. by A011-000160	
12		100100-44732	1	CRANKSHAFT ASSY		Sus. by A011-000160	
12		A011-000100	1	CRANKSHAFT,ASM		Sus. by A011-000160	
12		A011-000160	1	CRANKSHAFT,ASM			
13	+	100012-51230	1	BEARING, NEEDLE	8*12*10	Sus. by V553-000010	
13	+	V553-000010	1	BEARING,NEEDLE 8	HK0810		
14		100204-51030	1	CRANKCASE KIT		Sr/Nr 045597 and before	
14		100204-52130	1	CRANKCASE KIT		Sus. by 100204-52132	
14		100204-52131	1	CRANKCASE KIT		Sus. by 100204-52132	
14		100204-52132	1	CRANKCASE KIT		Sr/Nr 045598 and after	
15	+	100212-42030	2	OILSEAL	ISCD12*22*4.5	Sus. by 100212-42031	
15	+	100212-42031	2	OILSEAL	ISCD 12*22*4.5		
16	+	900162-05028	3	BOLT, H.S. 5*28	5*28 W,SW		

1. Cylinder, Crankcase, Piston

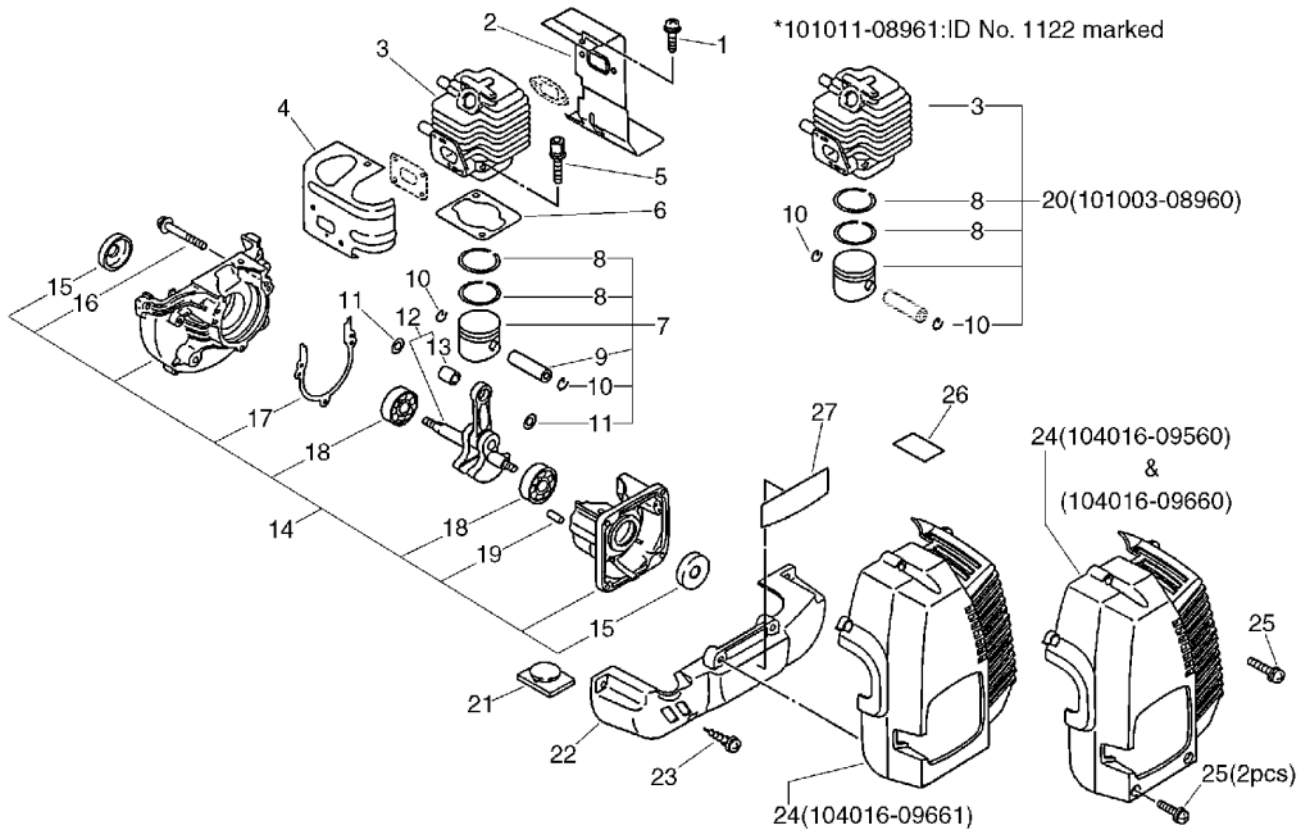
No.1



KEY	LV	PART NUMBER	Q'TY	DESCRIPTION	REMARKS	NOTE1	NOTE2
17	+	100242-42030	1	GASKET, CRANKCASE			
18	+	900810-36201	2	BEARING, BALL 6201	6201/C3	Sus. by 94035-36201	
18	+	94035-36201	2	BEARING BALL	6201X3JR2C3		
19	+	100215-03930	2	PIN, DOWEL			
21		104910-09560	4	CUSHION			
22		104005-09560	1	COVER, ENGINE		Sus. by 104005-09561	
22		104005-09561	1	COVER, ENGINE		Sr/Nr 052936 and before	
22		104005-09562	1	COVER, ENGINE		Sus. by 104005-09563	
22		104005-09563	1	COVER, ENGINE		Sr/Nr 052937 and after	
23		900253-05020	4	SCREW 5*20	5*20		
24		104016-09560	1	COVER, ENGINE		Sr/Nr 049402 and before	
24		104016-09660	1	COVER, ENGINE		Sr/Nr 049403 to 052936	
24		104016-09661	1	COVER, ENGINE		Sr/Nr 052937 and after	
25		900238-05016	5	SCREW 5*16	5*16	Sr/Nr 052936 and before	
25		900238-05016	3	SCREW 5*16	5*16	Sr/Nr 052937 and after	

1. Cylinder, Crankcase, Piston

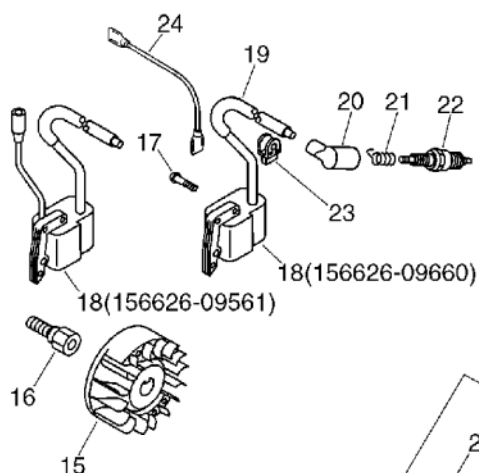
No.1



KEY	LV	PART NUMBER	Q'TY	DESCRIPTION	REMARKS	NOTE1	NOTE2
26		890160-06360	1	LABEL, CAUTION		Sus. by 890160-06361	
26		890160-06361	1	LABEL, CAUTION			
27		890112-09560	1	LABEL, MODEL			

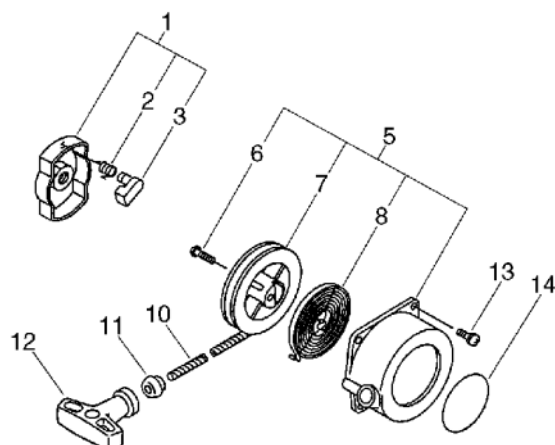
2. Starter, Magneto

No.2



*156801-09660:ID No. 4700 marked

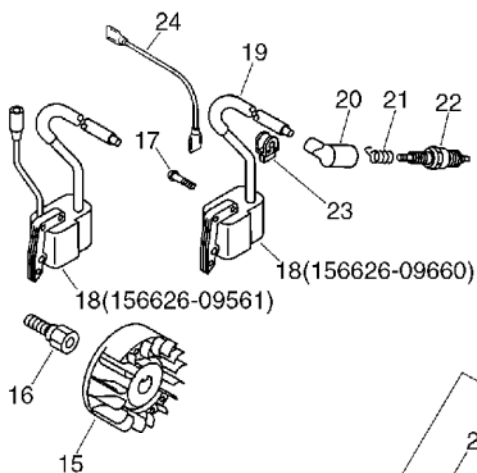
*156626-09660:ID No. 4700 marked



KEY	LV	PART NUMBER	Q'TY	DESCRIPTION	REMARKS	NOTE1	NOTE2
1		177202-44330	1	PAWL ASSY, STARTER		Sus. by 177202-44331	
1		177202-44331	1	PAWL ASM., STARTER			
2	+	177234-42030	1	SPRING, RETURN		Sus. by 177234-12220	
2	+	177234-12220	1	SPRING, PAWL			
3	+	177218-44330	1	PAWL, STARTER	BLACK		
5		177200-09560	1	STARTER ASSY			
6	+	177236-44330	1	SCREW			
7	+	177215-05960	1	DRUM, STARTER			
8	+	177220-42030	1	SPRING, REWIND			
10	+	177226-05310	1	ROPE, STARTER			
11	+	177227-09560	1	GUIDE, ROPE			
12	+	177228-06530	1	GRIP, STARTER			
13		900162-04016	4	BOLT, H.S. 4*16	4*16 W,SW		
13		900163-04016	4	BOLT HSH			
14		890118-49330	1	LABEL, ECHO			
15		156801-44730	1	FLYWHEEL		Sus. by 156801-44731	
15		156801-44731	1	FLYWHEEL		Sr/Nr 056585 and before	
15		156801-09660	1	FLYWHEEL		Sr/Nr 056586 and after	
16		200011-05661	1	HUB, FAN			
17		900162-04022	2	BOLT, H.S. 4*22	4*22 W,SW		

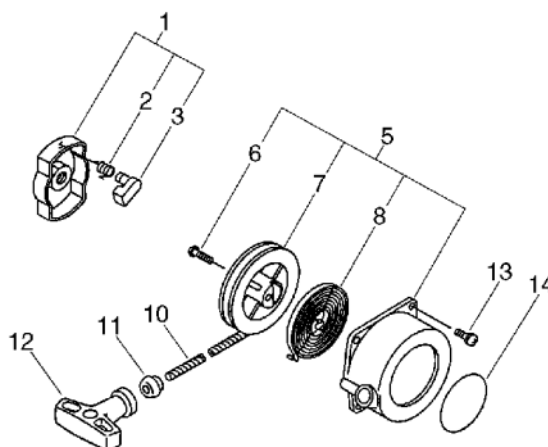
2. Starter, Magneto

No.2



*156801-09660:ID No. 4700 marked

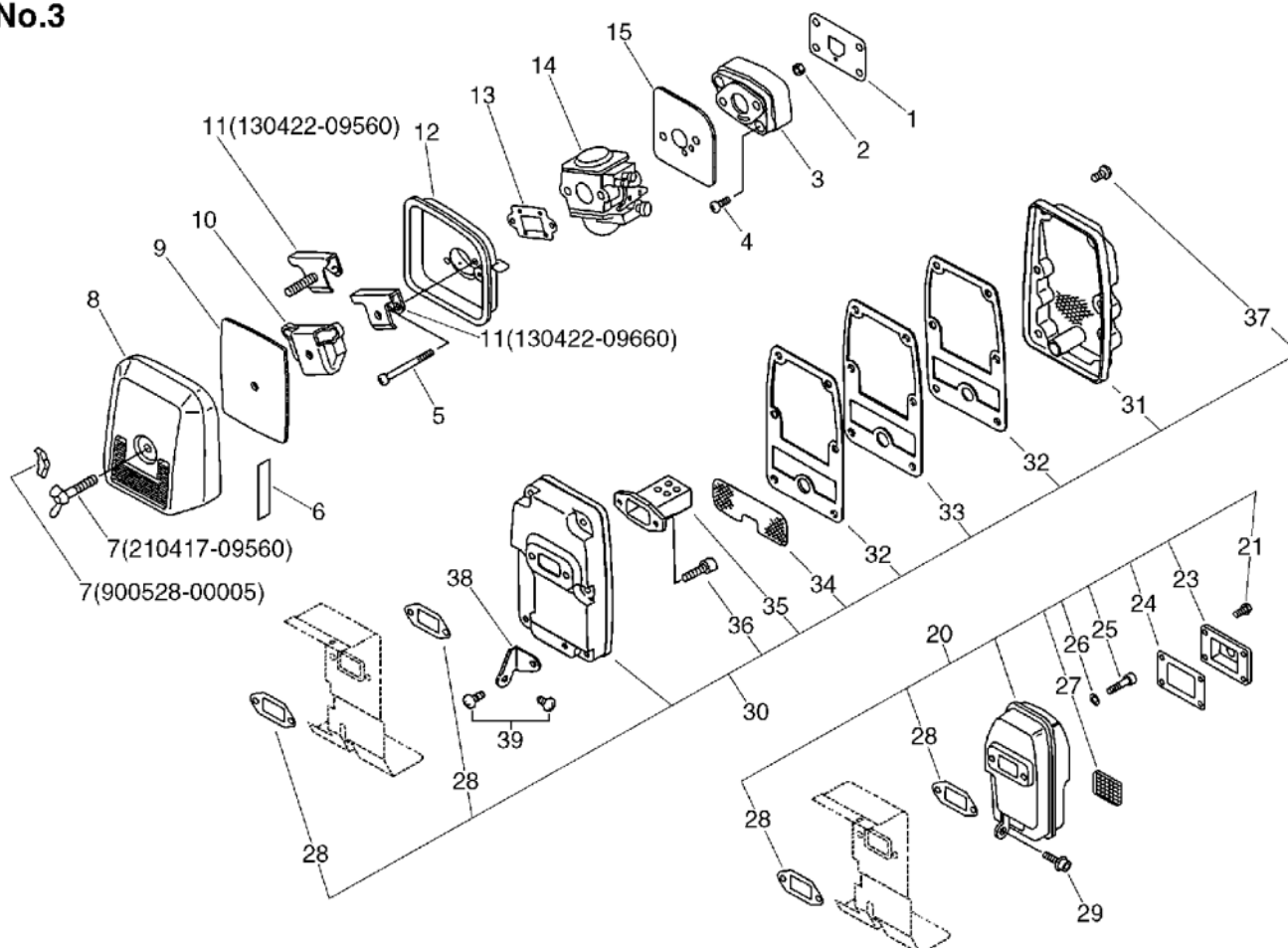
*156626-09660:ID No. 4700 marked



KEY	LV	PART NUMBER	Q'TY	DESCRIPTION	REMARKS	NOTE1	NOTE2
18		156626-09560	1	COIL, IGNITION		Sus. by 156626-09561	
18		156626-09561	1	COIL, IGNITION		Sr/Nr 056585 and before	
18		156626-09660	1	COIL, IGNITION		Sr/Nr 056586 and after	
19		156611-05060	1	TUBE	6*8*150		
20		159012-03433	1	CAP, SPARK PLUG			
21		159011-03432	1	COIL, SPARK PLUG			
22		159017-10230	1	PLUG, SPARK (RCJ-7Y)	RCJ-7Y		
23		150112-05060	1	BUSHING			
24		162010-09660	1	LEAD, GROUND	170L	Sr/Nr 056586 and after	

3. Air Cleaner, Muffler

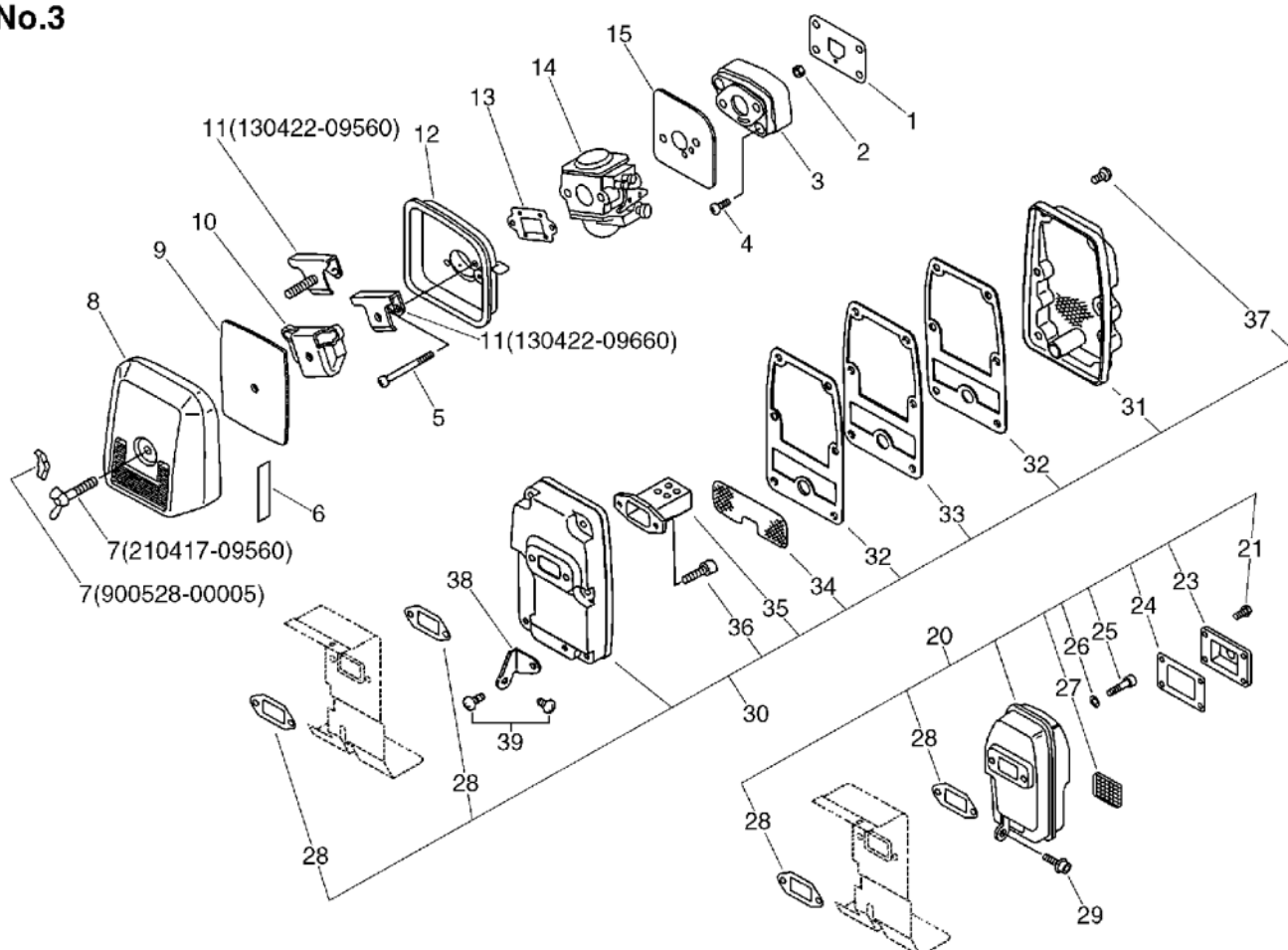
No.3



KEY	LV	PART NUMBER	Q'TY	DESCRIPTION	REMARKS	NOTE1	NOTE2
1		130010-09560	2	GASKET, INTAKE		Sus. by 130010-09561	
1		130010-09561	2	GASKET, INTAKE			
2		900500-00005	2	NUT 5	5		
3		130017-05061	1	INSULATOR		Sus. by 130017-05062	
3		130017-05062	1	INSULATOR, INTAKE			
4		900238-05022	2	SCREW 5*22	5*22		
5		900241-05055	2	SCREW 5*55	5*55	Sus. by 900242-05057	
5		900242-05057	2	SCREW 5*57	5*57		
6		890121-09560	1	LABEL, CHOKE			
7		900528-00005	1	NUT	5	Sr/Nr 051433 and before	
7		210417-09560	1	BOLD, WING	5*24	Sr/Nr 051434 and after	
8		130313-09560	1	COVER, AIR CLEANER		Sr/Nr 051433 and before	
8		130313-09561	1	LID, CLEANER		Sr/Nr 051434 and after	
9		130310-51830	1	FILTER, AIR			
10		129011-09560	1	PLATE			
11		130422-09560	1	PLATE		Sr/Nr 051433 and before	
11		130422-09660	1	PLATE, PREVENT		Sr/Nr 051434 and after	

3. Air Cleaner, Muffler

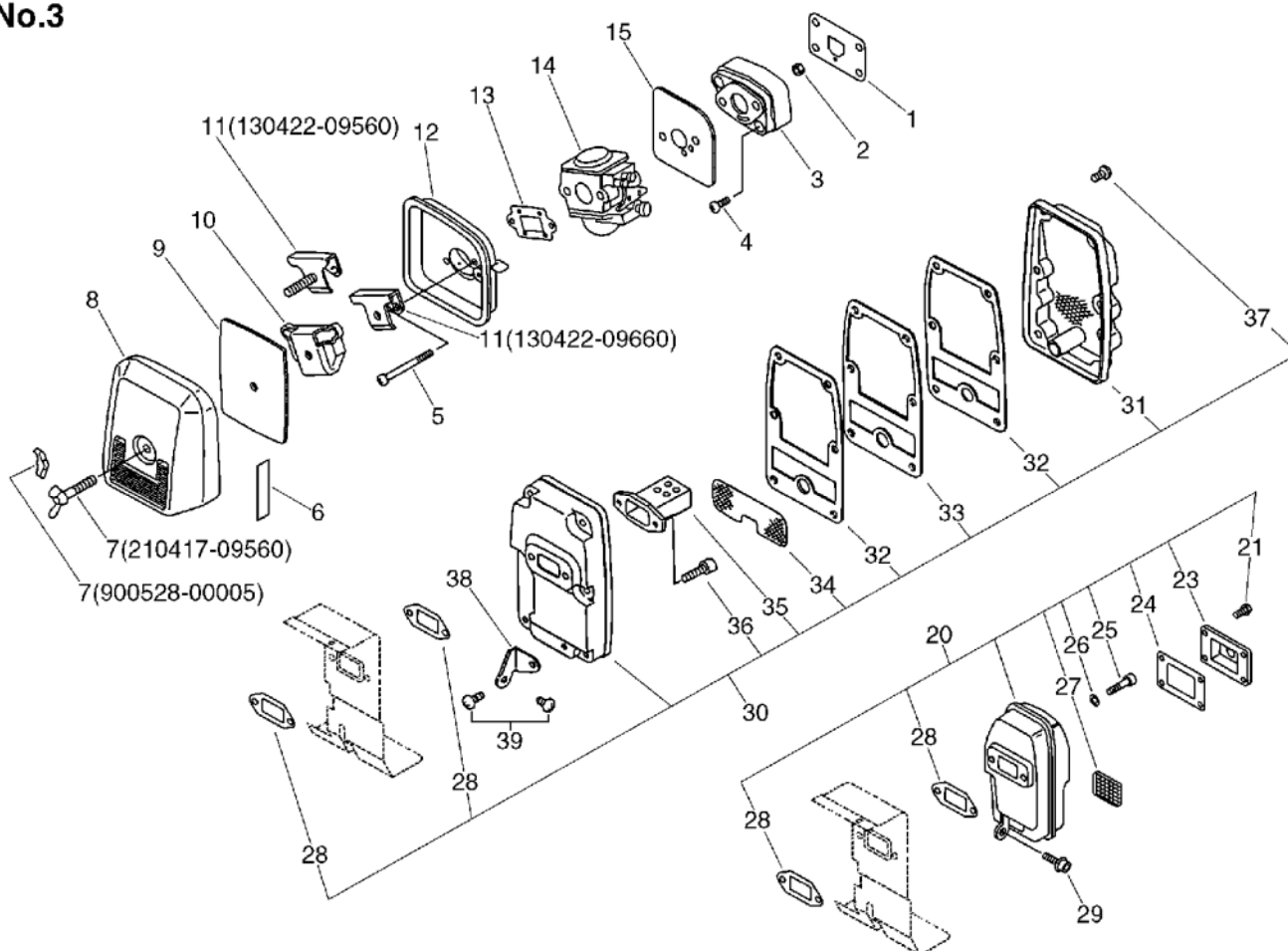
No.3



KEY	LV	PART NUMBER	Q'TY	DESCRIPTION	REMARKS	NOTE1	NOTE2
12		130307-09560	1	CASE ASSY, CLEANER		Sr/Nr 049522 and before	
12		130307-09660	1	CASE ASSY, CLEANER		Sus. by 130307-09662	
12		130307-09662	1	CASE, AIR CLEANER		Sr/Nr 049523 and after	
13		101586-09660	1	SPACER			
14		123000-09560	1	CARBURETOR ASSY	WT-274A	Sr/Nr 049522 and before	
14		123000-09661	1	CARBURETOR WT-417	WT-417	Sus. by 123000-09664	
14		123000-09662	1	CARBURETOR ASSY	WT-417	Sus. by 123000-09664	
14		123000-09663	1	CARBURETOR ASSY	WT-417B	Sus. by 123000-09664	
14		123000-09664	1	CARBURETOR WT-417C	WT-417C	Sr/Nr 049523 and after	
15		130016-09560	1	GASKET, INTAKE		Sus. by 130016-09561	
15		130016-09561	1	GASKET, INTAKE			
20		145800-09660	1	MUFFLER ASSY		Sr/Nr 049403 and after	
21	+	900182-04008	4	BOLT	4*8 W,SW	Sr/Nr 049403 and after	
23	+	145809-09660	1	LID, MUFFLER	ID1301	Sr/Nr 049403 and after	

3. Air Cleaner, Muffler

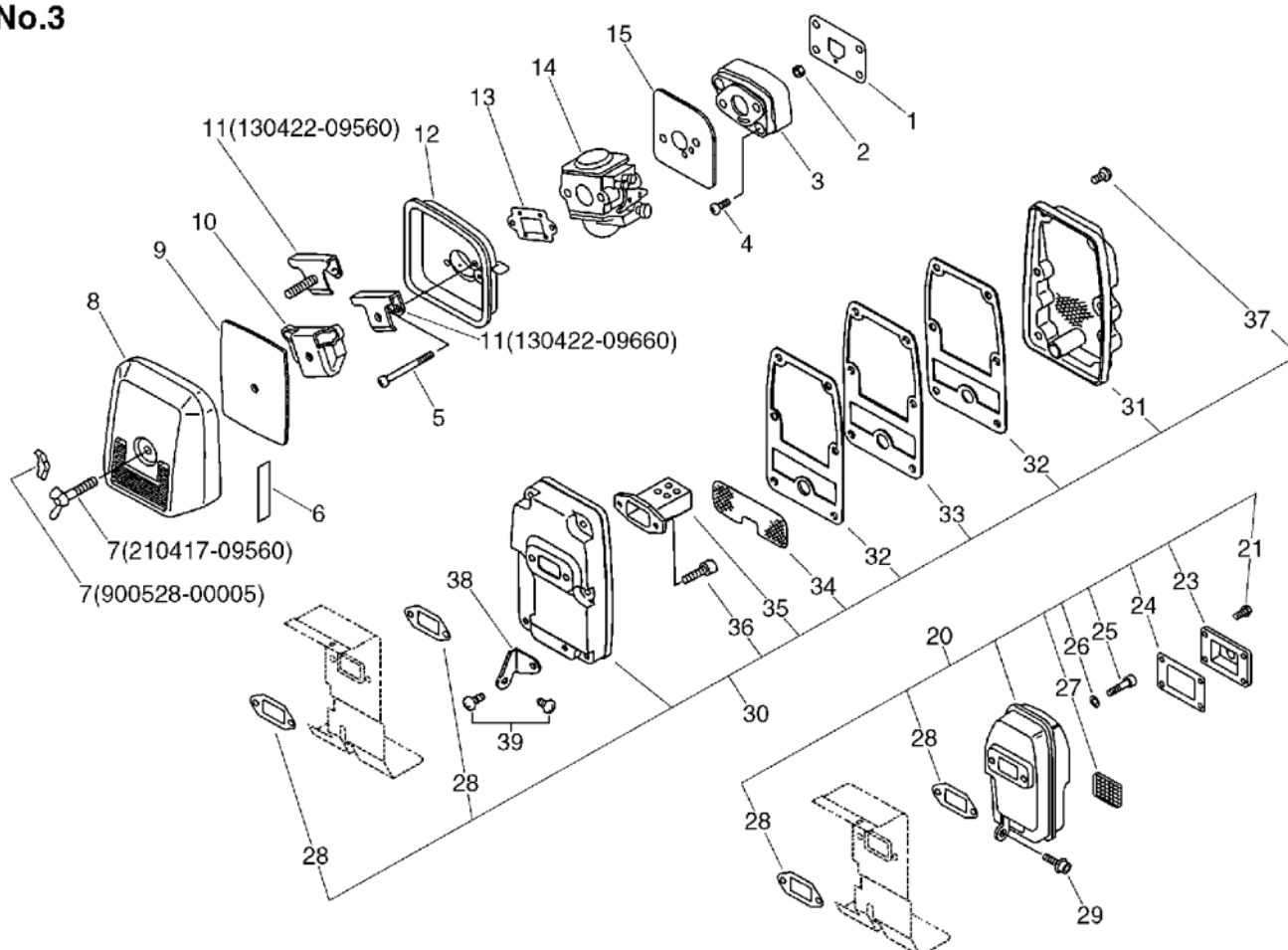
No.3



KEY	LV	PART NUMBER	Q'TY	DESCRIPTION	REMARKS	NOTE1	NOTE2
24	+	145866-09660	1	GASKET, MUFFLER LID		Sr/Nr 049403 and after	
25	+	900105-05060	2	BOLT, H.S. 5*60	5*60	Sr/Nr 049403 and after	
26	+	900600-00005	2	WASHER 5	5	Sr/Nr 049403 and after	
27	+	145862-40630	1	SCREEN, MUFFLER		Sr/Nr 049403 and after	
28	+	145510-42031	2	GASKET, MUFFLER		Sus. by V104-000160	
28	+	V104-000160	2	GASKET,EXHAUST			
29	+	900162-05016	1	BOLT, H.S. 5*16	5*16 W,SW	Sr/Nr 049403 and after	
30		145800-09560	1	MUFFLER ASSY		Sr/Nr 049402 and before	
28	+	145510-09560	2	GASKET, MUFFLER		Sr/Nr 049402 and before	
28	+	145510-42031	2	GASKET, MUFFLER		Sus. by V104-000160	
28	+	V104-000160	2	GASKET,EXHAUST			
31	+	145808-09560	1	LID,MUFFLER		Sr/Nr 049402 and before	
32	+	145866-09560	2	GASKET, MUFFLER LID		Sr/Nr 049402 and before	
33	+	145880-09560	1	SILENCER, MUFFLER		Sr/Nr 049402 and before	

3. Air Cleaner, Muffler

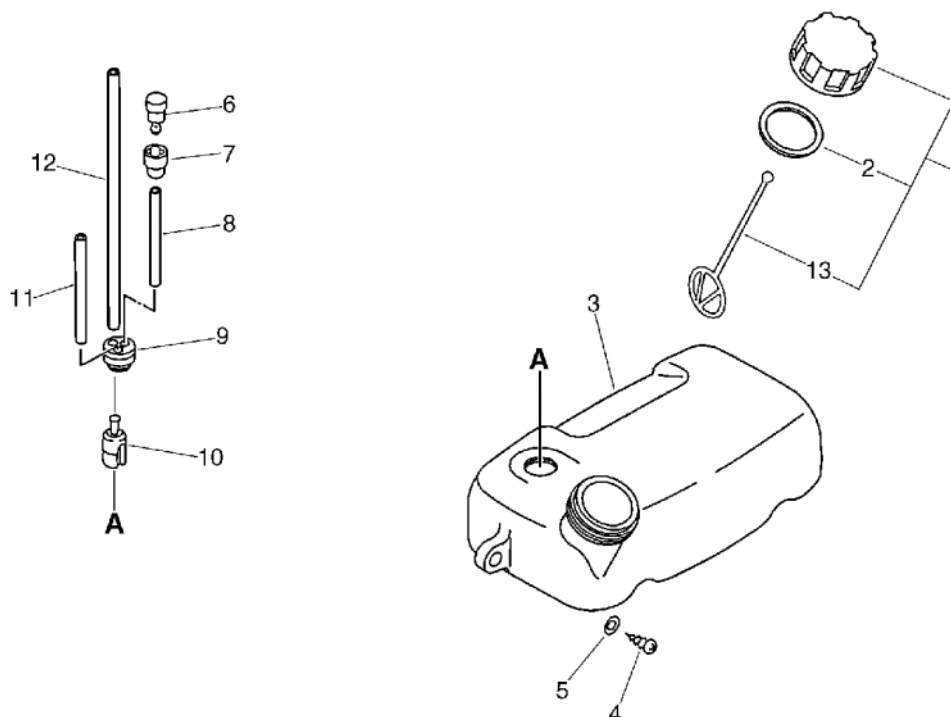
No.3



KEY	LV	PART NUMBER	Q'TY	DESCRIPTION	REMARKS	NOTE1	NOTE2
34	+	145862-51030	1	SCREEN, MUFFLER		Sr/Nr 049402 and before	
35	+	145859-51030	1	SILENCER		Sr/Nr 049402 and before	
36	+	900105-05018	2	BOLT, H.S. 5*18	5*18	Sr/Nr 049402 and before	
37	+	900238-05016	6	SCREW 5*16	5*16	Sr/Nr 049402 and before	
38		145711-09560	1	STAY, MUFFLER			
39		900162-05014	2	BOLT, H.S. 5*14	5*14 W,SW		

4. Fuel Tank

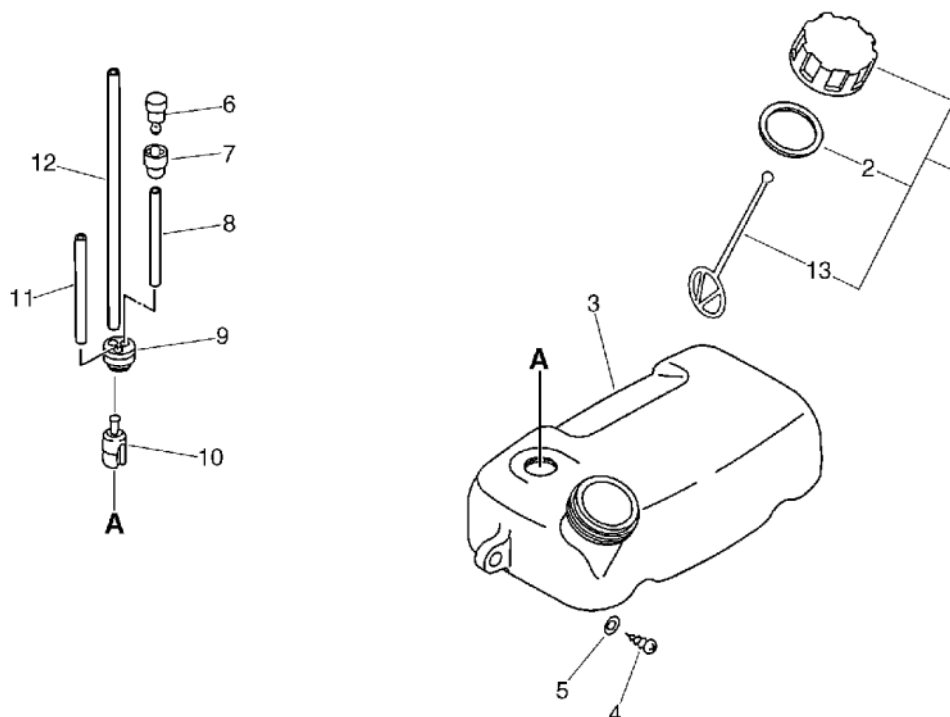
No.4



KEY	LV	PART NUMBER	Q'TY	DESCRIPTION	REMARKS	NOTE1	NOTE2
1		131004-48730	1	CAP ASSY, FUEL TANK		Sus. by 131004-56330	
1		131004-06560	1	CAP ASSY, FUEL TANK		Sus. by 131004-56330	
1		131004-56330	1	CAP ASSY, FUEL TANK		Sus. by 131004-55530	
1		131004-55530	1	CAP ASSY, FUEL TANK			
2	+	131016-40930	1	GASKET, FUEL CAP		Sr/Nr 053081 and before	
2	+	131016-55830	1	GASKET, FUEL CAP		Sr/Nr 053082 and after	
13	+	131051-52430	1	CONNECTOR, CAP	80L	Sus. by 131051-56030	
13	+	131051-56030	1	CLIP, FUEL CAP	100L	Except assy No.131004-48730	
3		131005-09560	1	TANK, FUEL		Sus. by 131005-09561	
3		131005-09561	1	TANK, FUEL			
4		900253-05020	2	SCREW 5*20	5*20		
5		900603-00005	2	WASHER 5	5.5*12*0.8		
6		131300-40630	1	VALVE, CHECK		Sus. by A356-000030	
6		131300-56430	1	VALVE, CHECK		Sus. by A356-000030	
6		A356-000030	1	VALVE, CHECK			

4. Fuel Tank

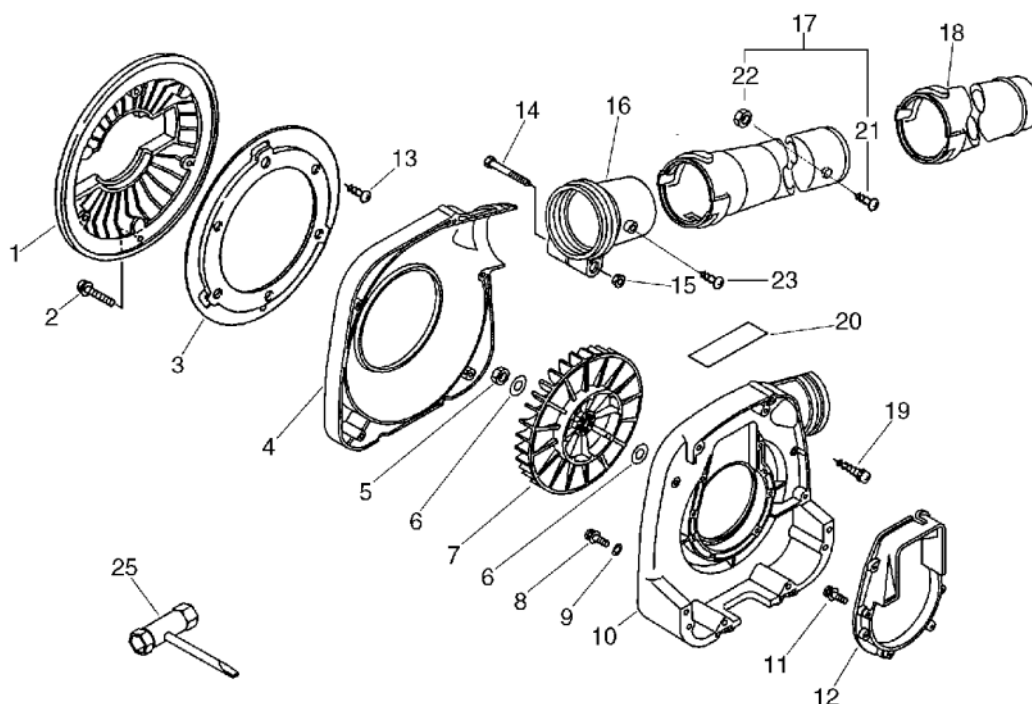
No.4



KEY	LV	PART NUMBER	Q'TY	DESCRIPTION	REMARKS	NOTE1	NOTE2
7		131328-40630	1	COVER, VENT			
8		437210-11131	1	PIPE 3*5*90 NBR	3*5*90 NBR	Sus. by V471-001210	
8		V471-001210	1	PIPE	3*5*90 NBR		
9		132115-46730	1	GROMMET, FUEL		Sus. by V137-000030	
9		V137-000030	1	GROMMET, FUEL			
10		131205-07320	1	STRAINER, FUEL			
11		132717-06460	1	PIPE 3*5*110	3*5*110	Sus. by 132010-06460	
11		132010-06460	1	PIPE 3*6*110	3*6*110 YL		
12		132010-11520	1	PIPE, 3*5*210	3*5*210 NBR	Sus. by V471-001230	
12		V471-001230	1	PIPE	3*5*210 NBR		

5. Fan Case, Pipe, Tool

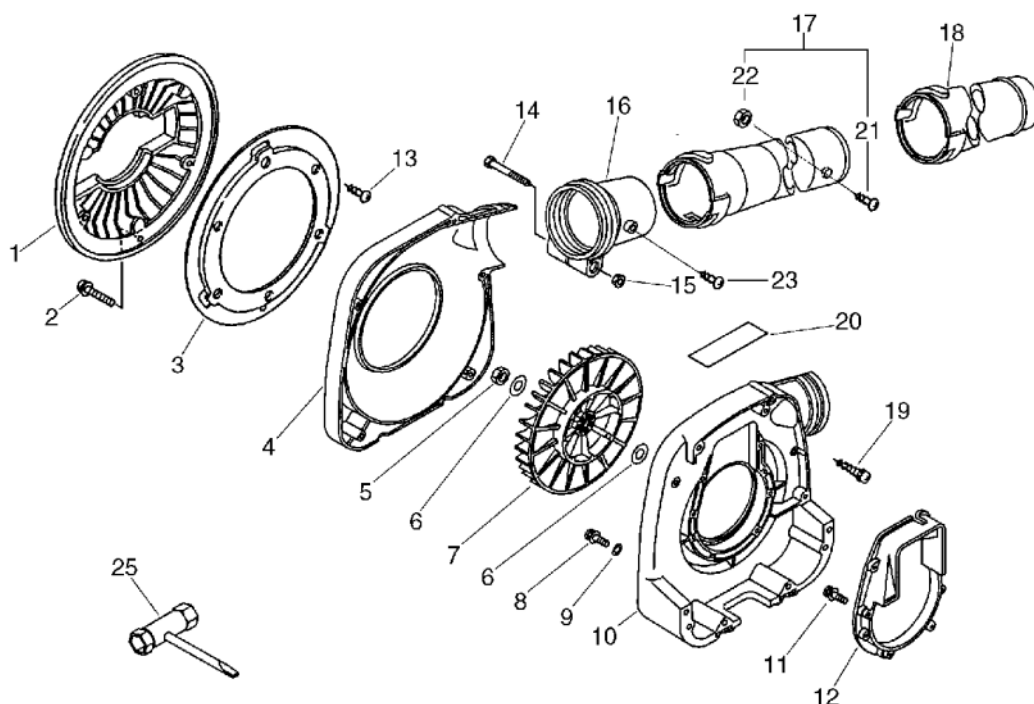
No.5



KEY	LV	PART NUMBER	Q'TY	DESCRIPTION	REMARKS	NOTE1	NOTE2
1		200124-09560	1	GRID, FAN CASE			
2		900238-05016	1	SCREW 5*16	5*16		
3		200144-09560	1	BASE, GRID			
4		200105-09560	1	CASE, FAN			
5		900500-00008	1	NUT 8	8*P1.25		
6		100132-05660	2	WASHER	8.2*30*3.0		
7		200010-09660	1	FAN		Sus. by E100-000050	
7		E100-000050	1	FAN,BLOWER			
8		900238-04022	5	SCREW 4*22	4*22	Sus. by 91107-04020	
8		900162-04022	5	BOLT, H.S. 4*22	4*22 W,SW	Sus. by 91107-04020	
8		91107-04020	5	BOLT, FLANGE	M4*20		
9		104032-08760	5	WASHER	4.5*15.5*2		
10		200107-09560	1	CASE, FAN		Sus. by 200107-09561	
10		200107-09561	1	CASE, FAN			
11		900238-04018	4	SCREW 4*18	4*18	Sus. by 900162-04018	
11		900162-04018	4	BOLT, H.S. 4*18	4*18 W,SW	Sus. by 900163-04018	
11		900163-04018	4	BOLT HSH			
12		104930-05061	1	BASE, ENGINE			
13		900245-04010	3	SCREW 4*10	4*10		
14		900105-05060	1	BOLT, H.S. 5*60	5*60		

5. Fan Case, Pipe, Tool

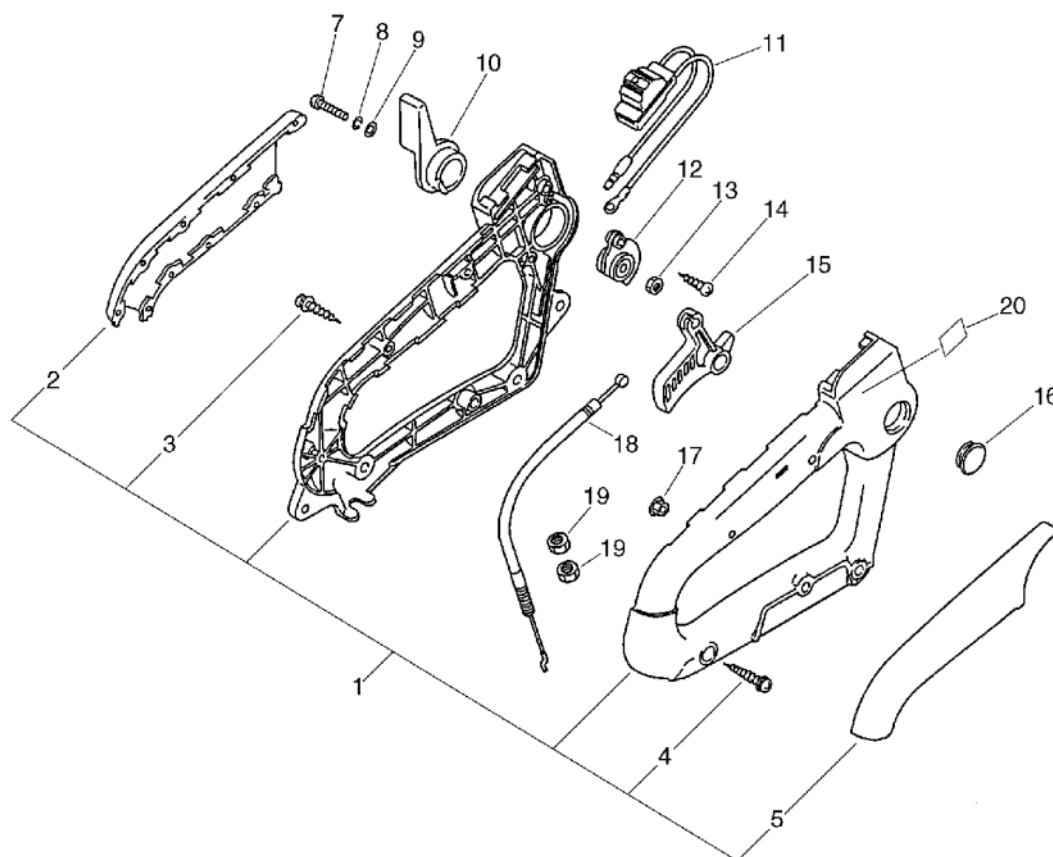
No.5



KEY	LV	PART NUMBER	Q'TY	DESCRIPTION	REMARKS	NOTE1	NOTE2
15		900516-00005	1	NUT, FRANGE 5	5		
16		210024-09560	1	PIPE, MAIN		Sus. by 210024-09561	
16		210024-09561	1	PIPE, BLOWER			
17		210014-09560	1	PIPE, STRAIGHT		Sus. by 210015-09561	
17		210015-09560	1	PIPE, STRAIGHT		Sus. by 210015-09561	
17		210015-09561	1	PIPE, BLOWER			
21	+	900238-05010	1	SCREW 5*10	5*10		
22	+	900500-00005	1	NUT 5	5	Sus. by 900565-50005	
22	+	900565-50005	1	NUT 5	5		
18		210027-09560	1	ADAPTER, PIPE		Sus. by 210027-08560	
18		210027-08560	1	PIPE, BLOWER			
19		900253-05030	5	SCREW 5*30	5*30		
20		890160-09460	1	LABEL, CAUTION		Sus. by 890160-09461	
20		890160-09461	1	LABEL, CAUTION			
23		900256-05010	1	SCREW, TAPPING			
25		895410-00430	1	WRENCH, W/S. DRIVER			

6. Handle

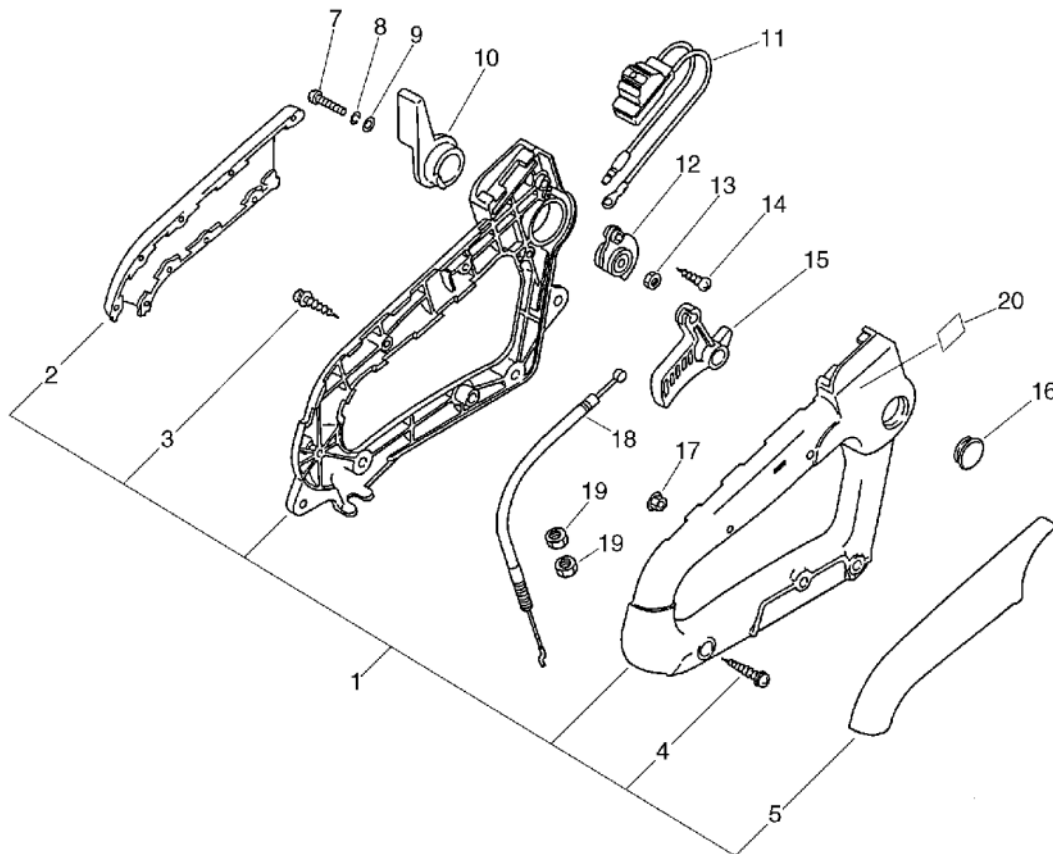
No.6



KEY	LV	PART NUMBER	Q'TY	DESCRIPTION	REMARKS	NOTE1	NOTE2
1		351000-09560	1	HANDLE SET (R)		Sus. by 351000-09660	
1		351000-09660	1	HANDLE SET. (R)			
2	+	351315-09561	1	GRIP, HANDLE		Sr/Nr 050483 and before	
2	+	351315-09660	1	GRIP, HANDLE		Sr/Nr 050484 and after	
3	+	900256-04022	5	SCREW 4*22	4*22		
4	+	900253-05035	2	SCREW 5*35	5*35		
5	+	351311-09561	1	GRIP, HANDLE		Sr/Nr 050483 and before	
5	+	351311-09660	1	GRIP, HANDLE		Sr/Nr 050484 and after	
7		900235-06020	1	SCREW 6*20	6*20		
8		900605-00006	1	WASHER, SPRING 6	6		
9		900603-00006	1	WASHER 6	6.5*13*1		
10		178054-07560	1	CONTRTOL, THROTTLE			
11		163400-09560	1	SWITCH, IGNITION		Sus. by 163401-09661	
11		163401-09661	1	SWITCH, IGNITION			
12		178123-07561	1	BRACKET, THROTTLE			
13		900500-00006	1	NUT 6	6		
14		900245-04010	1	SCREW 4*10	4*10		
15		178010-07560	1	CONTROL, THROTTLE		Sus. by 178010-07561	
15		178010-07561	1	CONTROL, THROTTLE			

6. Handle

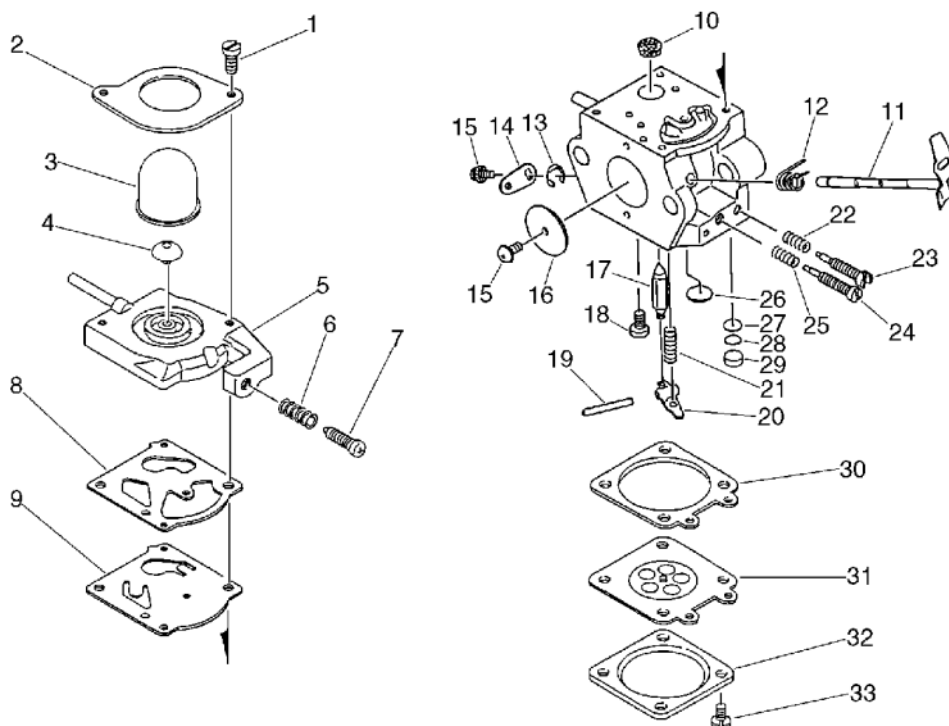
No.6



KEY	LV	PART NUMBER	Q'TY	DESCRIPTION	REMARKS	NOTE1	NOTE2
16		351146-07560	1	PLUG			
17		900516-00005	1	NUT, FRANGE 5	5		
18		178001-09560	1	WIRE, THROTTLE			
19		900502-00006	2	NUT 6 (3N)	3N6		
20		890157-39130	1	LABEL, SWITCH		Sus. by 890157-06560	
20		890157-06560	1	LABEL, SWITCH			

7. Carburetor(Sr/Nr 049522 and before)

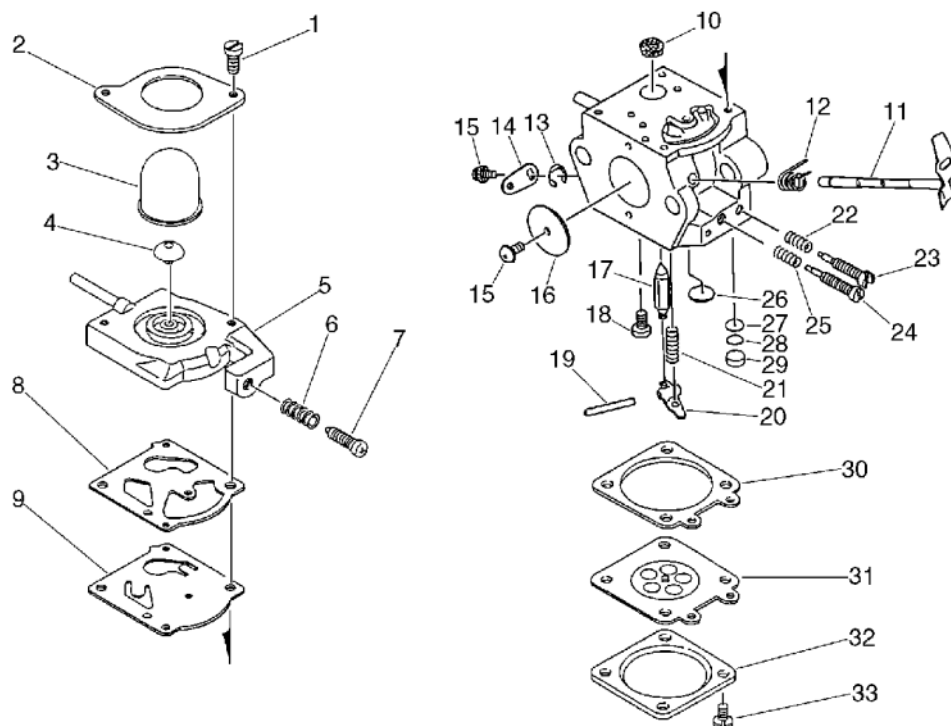
No.7



KEY	LV	PART NUMBER	Q'TY	DESCRIPTION	REMARKS	NOTE1	NOTE2
		123000-09560	1	CARBURETOR ASSY	WT-274A	Sr/Nr 049522 and before	
1	+	123110-43130	2	SCREW			
2	+	123142-09560	1	COVER, PRIMER PUMP			
3	+	123181-09560	1	PUMP, PRIMER			
4	+	123171-35630	1	VALVE, CHECK			
5	+	123124-09660	1	COVER, FULE PUMP			
6	+	123133-04260	1	SPRING, IDLE ADJUST			
7	+	123134-04260	1	SCREW, IDLE ADJUST			
8	+	123125-09560	1	GASKET, FUEL PUMP			
9	+	123112-09560	1	DIAPHRAGM, FUEL PUMP			
10	+	123126-10630	1	SCREEN, INLET			
11	+	123117-09560	1	SHAFT, THROTTLE			
12	+	123113-03930	1	SPRING, THRT. RETURN		Sus. by 123113-09660	
12	+	123113-09660	1	SPRING, THRT. RETURN			
13	+	123127-15030	1	RING			
14	+	123150-38330	1	LEVER, THROTTLE			
15	+	123114-03930	2	SCREW			
16	+	123116-09560	1	VALVE, THROTTLE			
17	+	123137-04260	1	VALVE, INLET NEEDLE			
18	+	123139-03930	1	SCREW, M. LEVER PIN			
19	+	123138-03930	1	PIN, METERING LEVER			
20	+	123123-03930	1	LEVER, METERING			
21	+	123122-06530	1	SPRING, METER. LEVER			
22	+	123119-22130	1	SPRING, NEEDLE			

7. Carburetor(Sr/Nr 049522 and before)

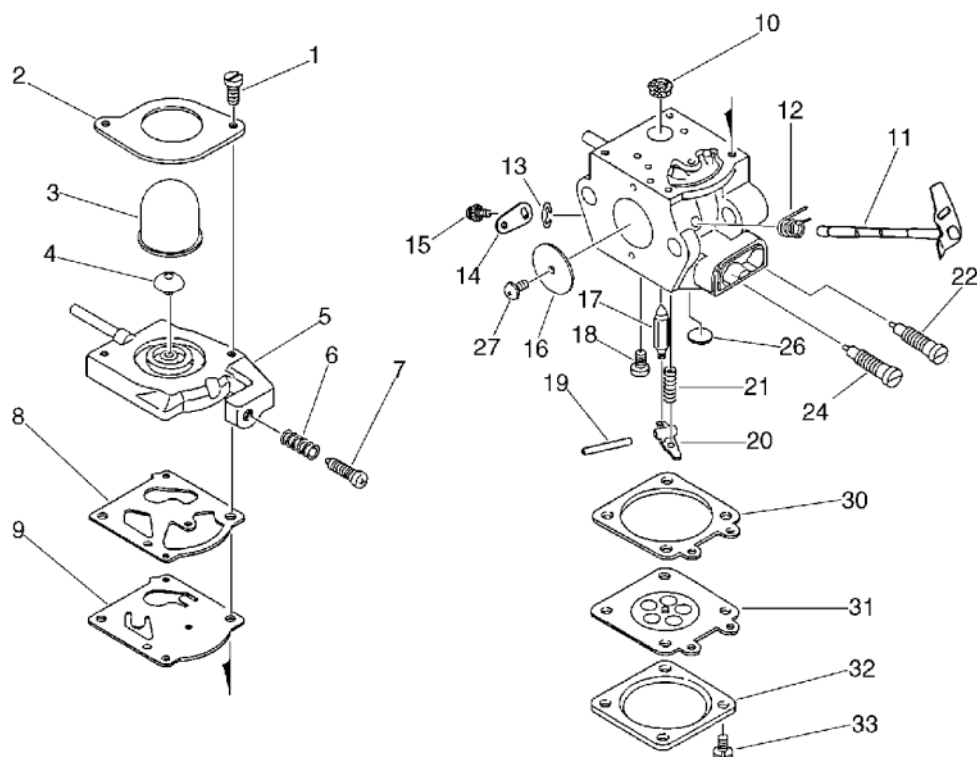
No.7



KEY	LV	PART NUMBER	Q'TY	DESCRIPTION	REMARKS	NOTE1	NOTE2
23	+	123118-24430	1	NEEDLE, IDLE			
24	+	123120-09560	1	NEEDLE, HIGH SPEED			
25	+	123121-22130	1	SPRING, NEEDLE			
26	+	123146-10630	1	PLUG, WELCH			
27	+	123168-10630	1	SCREEN			
28	+	123169-10630	1	RING, RETAINING			
29	+	123146-17330	1	PLUG, CUP			
30	+	123140-27230	1	GASKET, M. DIAPHRAGM			
31	+	123141-03930	1	DIAPHRAGM, METERING			
32	+	123142-03930	1	COVER, M. DIAPHRAGM			
33	+	123130-02960	4	SCREW			

8. Carburetor(Sr/Nr 049523 and after)

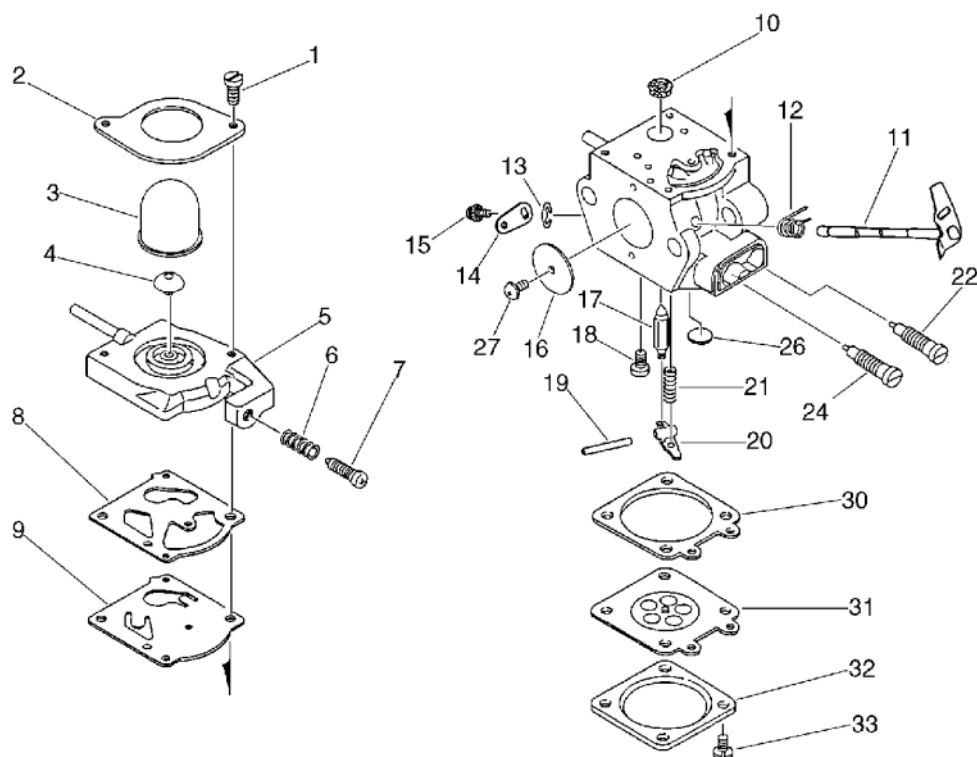
No.8



KEY	LV	PART NUMBER	Q'TY	DESCRIPTION	REMARKS	NOTE1	NOTE2
		123000-09661	1	CARBURETOR WT-417	WT-417	Sus. by 123000-09664	
		123000-09662	1	CARBURETOR ASSY	WT-417	Sus. by 123000-09664	
		123000-09663	1	CARBURETOR ASSY	WT-417B	Sus. by 123000-09664	
		123000-09664	1	CARBURETOR WT-417C	WT-417C	Sr/Nr 049523 and after	
1	+	123110-43130	2	SCREW			
2	+	123142-09560	1	COVER, PRIMER PUMP			
3	+	123181-09560	1	PUMP, PRIMER			
4	+	123171-35630	1	VALVE, CHECK			
5	+	123124-09660	1	COVER, FULE PUMP			
6	+	123133-04260	1	SPRING, IDLE ADJUST			
7	+	123134-04260	1	SCREW, IDLE ADJUST			
8	+	123125-09560	1	GASKET, FUEL PUMP			
9	+	123112-55730	1	DIAPHRAGM, FUEL PUMP			
10	+	123126-10631	1	SCREEN, INLET			
11	+	123117-09660	1	SHAFT, THROTTLE			
12	+	123113-03930	1	SPRING, THRT. RETURN		Sus. by 123113-09660	
12	+	123113-09660	1	SPRING, THRT. RETURN			
13	+	123127-15030	1	RING			
14	+	123150-38330	1	LEVER, THROTTLE			

8. Carburetor(Sr/Nr 049523 and after)

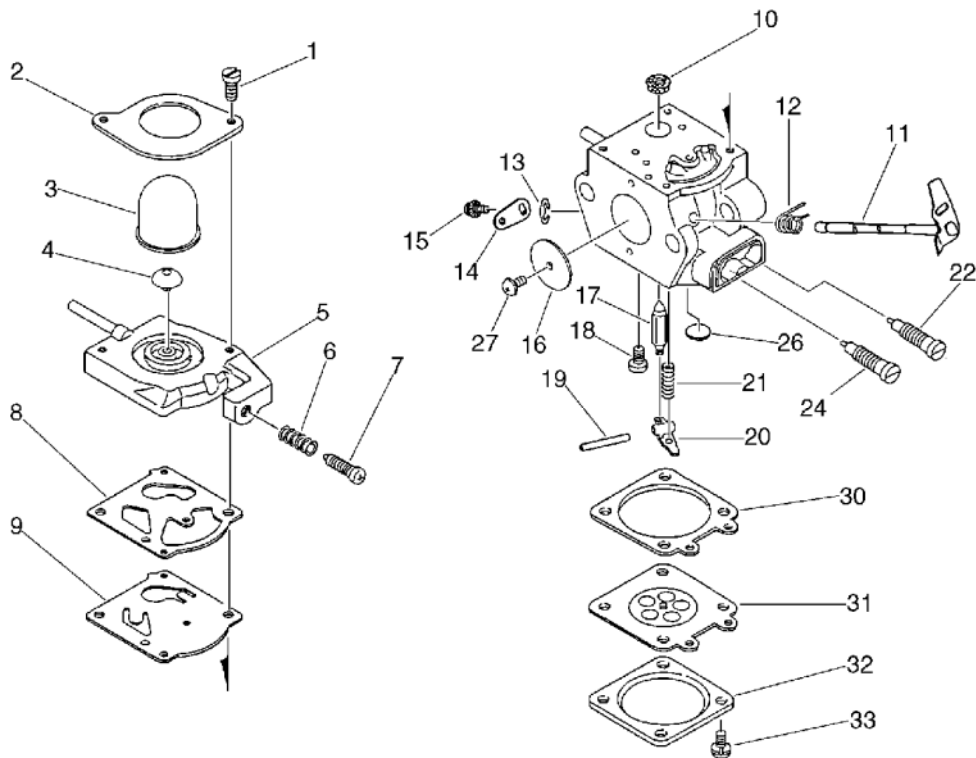
No.8



KEY	LV	PART NUMBER	Q'TY	DESCRIPTION	REMARKS	NOTE1	NOTE2
15	+	123114-03930	2	SCREW		Can be used on 123000-09661 and -09662	
15	+	123114-03930	1	SCREW		Can be used on 123000-09663 and -09664	
16	+	123116-23230	1	VALVE, THROTTLE			
17	+	123137-19830	1	VALVE, INLET NEEDLE			
18	+	123139-03930	1	SCREW, M. LEVER PIN			
19	+	123138-03930	1	PIN, METERING LEVER			
20	+	123123-03930	1	LEVER, METERING			
21	+	123122-03660	1	SPRING, METER. LEVER			
22	+	123118-03660	1	NEEDLE, IDLE		Sus. by 123120- 03661	
22	+	123120-03661	1	NEEDLE			
23	+	123151-39230	2	CAP, LIMITER			
24	+	123120-09460	1	NEEDLE, HIGH SPEED		Sus. by 123120- 03661	
24	+	123120-03661	1	NEEDLE			
22	+	123120-03661	1	NEEDLE			
26	+	123146-10631	1	PLUG, WELCH			
27	+	123114-38830	1	SCREW		Can be used on 123000-09663 and -09664	
30	+	123140-03930	1	GASKET, M. DIAPHRAGM			
31	+	123141-03930	1	DIAPHRAGM, METERING			

8. Carburetor(Sr/Nr 049523 and after)

No.8



KEY	LV	PART NUMBER	Q'TY	DESCRIPTION	REMARKS	NOTE1	NOTE2
32	+	123142-03930	1	COVER, M. DIAPHRAGM			
33	+	123130-02960	4	SCREW			

9. Repair Kit

KEY	LV	PART NUMBER	Q'TY	DESCRIPTION	REMARKS	NOTE1	NOTE2
		889000-09560	1	GASKET KIT			
1-6	+	101010-44330	1	GASKET, CYL. BASE		Sus. by 101010-44332	
1-6	+	101010-44331	1	GASKET, CYL. BASE		Sus. by 101010-44332	
1-6	+	101010-44332	1	GASKET, CYL. BASE			
1-17	+	100242-42030	1	GASKET, CRANKCASE			
3-1	+	130010-09561	2	GASKET, INTAKE			
3-15	+	130016-09561	1	GASKET, INTAKE			
3-28	+	145510-42031	2	GASKET, MUFFLER		Sus. by V104-000160	
3-28	+	V104-000160	2	GASKET, EXHAUST			
3-32	+	145866-09560	2	GASKET, MUFFLER LID			

Index

Patrs Number	Key No.	Patrs Number	Key No.	Patrs Number	Key No.
100000-09560	1 - 7	123000-09661	8 -	123134-04260	8 - 7
100000-09561	1 - 7	123000-09662	3 - 14	123137-04260	7 - 17
100000-09562	1 - 7	123000-09662	8 -	123137-19830	8 - 17
100000-09563	1 - 7	123000-09663	3 - 14	123138-03930	7 - 19
100011-09560	1 - 8	123000-09663	8 -	123138-03930	8 - 19
100011-09560	1 - 8	123000-09664	3 - 14	123139-03930	7 - 18
100012-51230	1 - 13	123000-09664	8 -	123139-03930	8 - 18
100013-11520	1 - 9	123110-43130	7 - 1	123140-03930	8 - 30
100014-11520	1 - 11	123110-43130	8 - 1	123140-27230	7 - 30
100015-04630	1 - 10	123112-09560	7 - 9	123141-03930	7 - 31
100015-04630	1 - 10	123112-55730	8 - 9	123141-03930	8 - 31
100100-44731	1 - 12	123113-03930	7 - 12	123142-03930	7 - 32
100100-44732	1 - 12	123113-03930	8 - 12	123142-03930	8 - 32
100132-05660	5 - 6	123113-09660	7 - 12	123142-09560	7 - 2
100204-51030	1 - 14	123113-09660	8 - 12	123142-09560	8 - 2
100204-52130	1 - 14	123114-03930	7 - 15	123146-10630	7 - 26
100204-52131	1 - 14	123114-03930	8 - 15	123146-10631	8 - 26
100204-52132	1 - 14	123114-03930	8 - 15	123146-17330	7 - 29
100212-42030	1 - 15	123114-38830	8 - 27	123150-38330	7 - 14
100212-42031	1 - 15	123116-09560	7 - 16	123150-38330	8 - 14
100215-03930	1 - 19	123116-23230	8 - 16	123151-39230	8 - 23
100242-42030	1 - 17	123117-09560	7 - 11	123168-10630	7 - 27
100242-42030	9 - 1-17	123117-09660	8 - 11	123169-10630	7 - 28
101003-08960	1 - 20	123118-03660	8 - 22	123171-35630	7 - 4
101010-44330	1 - 6	123118-24430	7 - 23	123171-35630	8 - 4
101010-44330	9 - 1-6	123119-22130	7 - 22	123181-09560	7 - 3
101010-44331	1 - 6	123120-03661	8 - 22	123181-09560	8 - 3
101010-44331	9 - 1-6	123120-03661	8 - 24	129011-09560	3 - 10
101010-44332	1 - 6	123120-03661	8 - 22	130010-09560	3 - 1
101010-44332	9 - 1-6	123120-09460	8 - 24	130010-09561	3 - 1
101011-08960	1 - 3	123120-09560	7 - 24	130010-09561	9 - 3-1
101011-08961	1 - 3	123121-22130	7 - 25	130016-09560	3 - 15
101011-09560	1 - 3	123122-03660	8 - 21	130016-09561	3 - 15
101514-09560	1 - 4	123122-06530	7 - 21	130016-09561	9 - 3-15
101576-09560	1 - 2	123123-03930	7 - 20	130017-05061	3 - 3
101586-09660	3 - 13	123123-03930	8 - 20	130017-05062	3 - 3
104005-09560	1 - 22	123124-09660	7 - 5	130307-09560	3 - 12
104005-09561	1 - 22	123124-09660	8 - 5	130307-09660	3 - 12
104005-09562	1 - 22	123125-09560	7 - 8	130307-09662	3 - 12
104005-09563	1 - 22	123125-09560	8 - 8	130310-51830	3 - 9
104016-09560	1 - 24	123126-10630	7 - 10	130313-09560	3 - 8
104016-09660	1 - 24	123126-10631	8 - 10	130313-09561	3 - 8
104016-09661	1 - 24	123127-15030	7 - 13	130422-09560	3 - 11
104032-08760	5 - 9	123127-15030	8 - 13	130422-09660	3 - 11
104910-09560	1 - 21	123130-02960	7 - 33	131004-06560	4 - 1
104930-05061	5 - 12	123130-02960	8 - 33	131004-48730	4 - 1
123000-09560	3 - 14	123133-04260	7 - 6	131004-55530	4 - 1
123000-09560	7 -	123133-04260	8 - 6	131004-56330	4 - 1
123000-09661	3 - 14	123134-04260	7 - 7	131005-09560	4 - 3

Index

Patrs Number	Key No.	Patrs Number	Key No.	Patrs Number	Key No.
131005-09561	4 - 3	177226-05310	2 - 10	900162-04018	5 - 11
131016-40930	4 - 2	177227-09560	2 - 11	900162-04022	2 - 17
131016-55830	4 - 2	177228-06530	2 - 12	900162-04022	5 - 8
131051-52430	4 - 13	177234-12220	2 - 2	900162-05014	3 - 39
131051-56030	4 - 13	177234-42030	2 - 2	900162-05016	3 - 29
131205-07320	4 - 10	177236-44330	2 - 6	900162-05022	1 - 5
131300-40630	4 - 6	178001-09560	6 - 18	900162-05028	1 - 16
131300-56430	4 - 6	178010-07560	6 - 15	900163-04016	2 - 13
131328-40630	4 - 7	178010-07561	6 - 15	900163-04018	5 - 11
132010-06460	4 - 11	178054-07560	6 - 10	900182-04008	3 - 21
132010-11520	4 - 12	178123-07561	6 - 12	900235-06020	6 - 7
132115-46730	4 - 9	200010-09660	5 - 7	900238-04018	5 - 11
132717-06460	4 - 11	200011-05661	2 - 16	900238-04022	5 - 8
145510-09560	3 - 28	200105-09560	5 - 4	900238-05010	1 - 1
145510-42031	3 - 28	200107-09560	5 - 10	900238-05010	5 - 21
145510-42031	3 - 28	200107-09561	5 - 10	900238-05016	1 - 25
145510-42031	9 - 3-28	200124-09560	5 - 1	900238-05016	1 - 25
145711-09560	3 - 38	200144-09560	5 - 3	900238-05016	3 - 37
145800-09560	3 - 30	210014-09560	5 - 17	900238-05016	5 - 2
145800-09660	3 - 20	210015-09560	5 - 17	900238-05022	3 - 4
145808-09560	3 - 31	210015-09561	5 - 17	900241-05055	3 - 5
145809-09660	3 - 23	210024-09560	5 - 16	900242-05057	3 - 5
145859-51030	3 - 35	210024-09561	5 - 16	900245-04010	5 - 13
145862-40630	3 - 27	210027-08560	5 - 18	900245-04010	6 - 14
145862-51030	3 - 34	210027-09560	5 - 18	900253-05020	1 - 23
145866-09560	3 - 32	210417-09560	3 - 7	900253-05020	4 - 4
145866-09560	9 - 3-32	351000-09560	6 - 1	900253-05030	5 - 19
145866-09660	3 - 24	351000-09660	6 - 1	900253-05035	6 - 4
145880-09560	3 - 33	351146-07560	6 - 16	900256-04022	6 - 3
150112-05060	2 - 23	351311-09561	6 - 5	900256-05010	5 - 23
156611-05060	2 - 19	351311-09660	6 - 5	900500-00005	3 - 2
156626-09560	2 - 18	351315-09561	6 - 2	900500-00005	5 - 22
156626-09561	2 - 18	351315-09660	6 - 2	900500-00006	6 - 13
156626-09660	2 - 18	437210-11131	4 - 8	900500-00008	5 - 5
156801-09660	2 - 15	889000-09560	9 -	900502-00006	6 - 19
156801-44730	2 - 15	890112-09560	1 - 27	900516-00005	5 - 15
156801-44731	2 - 15	890118-49330	2 - 14	900516-00005	6 - 17
159011-03432	2 - 21	890121-09560	3 - 6	900528-00005	3 - 7
159012-03433	2 - 20	890157-06560	6 - 20	900565-50005	5 - 22
159017-10230	2 - 22	890157-39130	6 - 20	900600-00005	3 - 26
162010-09660	2 - 24	890160-06360	1 - 26	900603-00005	4 - 5
163400-09560	6 - 11	890160-06361	1 - 26	900603-00006	6 - 9
163401-09661	6 - 11	890160-09460	5 - 20	900605-00006	6 - 8
177200-09560	2 - 5	890160-09461	5 - 20	900810-36201	1 - 18
177202-44330	2 - 1	895410-00430	5 - 25	91107-04020	5 - 8
177202-44331	2 - 1	900105-05018	3 - 36	94035-36201	1 - 18
177215-05960	2 - 7	900105-05060	3 - 25	A011-000100	1 - 12
177218-44330	2 - 3	900105-05060	5 - 14	A011-000160	1 - 12
177220-42030	2 - 8	900162-04016	2 - 13	A356-000030	4 - 6

Index

Patrs Number	Key No.	Patrs Number	Key No.	Patrs Number	Key No.
E100-000050	5 - 7				
V104-000160	3 - 28				
V104-000160	3 - 28				
V104-000160	9 - 3-28				
V137-000030	4 - 9				
V471-001210	4 - 8				
V471-001230	4 - 12				
V553-000010	1 - 13				

YAMABIKO CORPORATION

7-2 SUEHIROCHO 1-CHOME, OHME, TOKYO 198-8760, JAPAN
PHONE: 81-428-32-6118. FAX: 81-428-32-6145.



2400
No.