



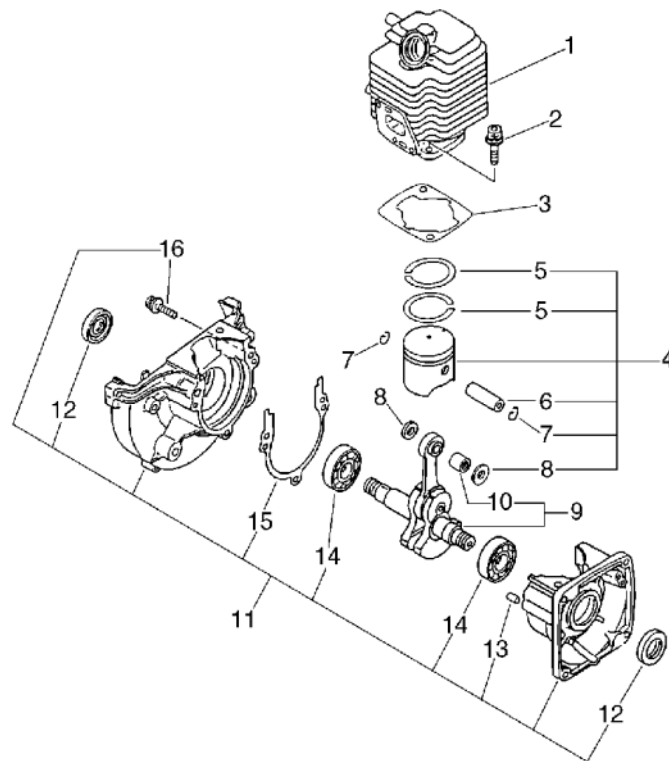
PARTS CATALOGUE

HANDHELD BLOWER

PB-2105,2110

1. Cylinder, Crankcase, Piston

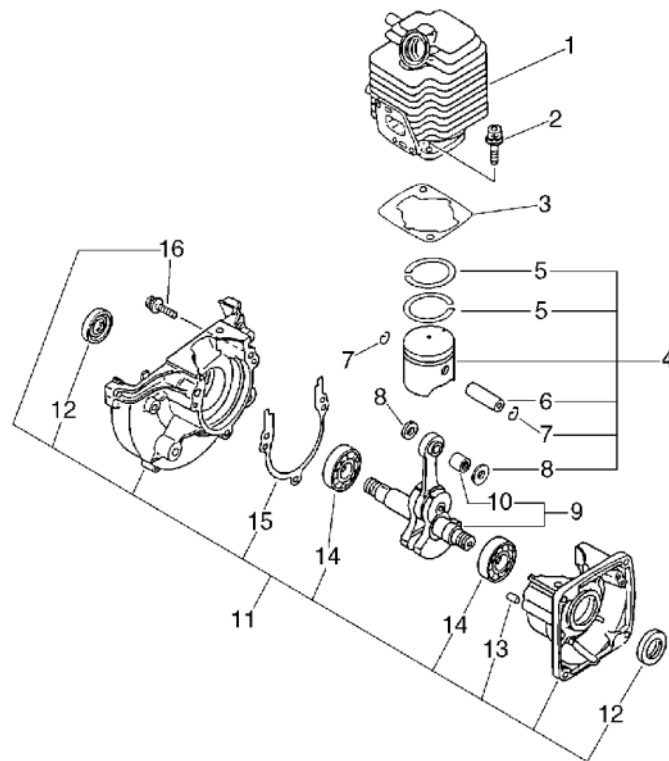
No.1



KEY	LV	PART NUMBER	Q'TY	DESCRIPTION	REMARKS	NOTE1	NOTE2
1		101011-06560	1	CYLINDER		Sus. by 101011-06562	
1		101011-06561	1	CYLINDER		Sus. by 101011-06562	
1		101011-06562	1	CYLINDER		Sr/Nr 013006 and before	
1		A130-000020	1	CYLINDER		Sus. by A130-000021	
1		A130-000021	1	CYLINDER		Sr/Nr 013007 and after/PB-2105	
2		900162-05022	2	BOLT, H.S. 5*22	5*22 W,SW		
3		101010-44332	1	GASKET, CYL. BASE			
4		100000-48730	1	PISTON KIT		Sus. by 100000-11520	
4		100000-48731	1	PISTON KIT		Sus. by 100000-11520	
4		100000-11520	1	PISTON KIT		Sr/Nr 013006 and before	
4		P021-000410	1	PISTON KIT		Sus. by P021-001102	
4		P021-000411	1	PISTON KIT		Sus. by P021-001102	
4		P021-001101	1	PISTON KIT		Sus. by P021-001102	

1. Cylinder, Crankcase, Piston

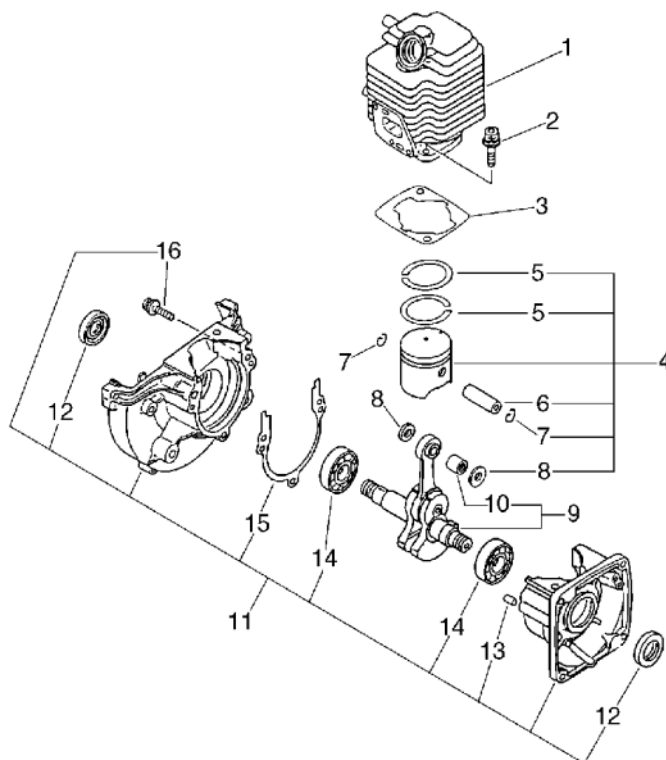
No.1



KEY	LV	PART NUMBER	Q'TY	DESCRIPTION	REMARKS	NOTE1	NOTE2
4		P021-001102	1	PISTON KIT		Sr/Nr 013007 and after/PB-2105	
5	+	100011-05330	2	RING, PISTON		Sr/Nr 013006 and before	
5	+	A101-000000	2	RING,PISTON		Sr/Nr 013007 and after/PB-2105	
6	+	100013-11520	1	PIN, PISTON			
7	+	100015-04630	2	CIRCLIP, PISTON PIN			
8	+	100014-11520	2	SPACER, PISTON PIN			
9		100100-54130	1	CRANKSHAFT ASSY		Sus. by 100100-44732	
9		100100-44732	1	CRANKSHAFT ASSY		Sr/Nr 023671 and before	
9		A011-000150	1	CRANKSHAFT,ASM		Sr/Nr 023672 and after	
10	+	100012-51230	1	BEARING, NEEDLE	8*12*10		
11		100204-52130	1	CRANKCASE KIT		Sus. by 100204-52132	
11		100204-52131	1	CRANKCASE KIT		Sus. by 100204-52132	
11		100204-52132	1	CRANKCASE KIT			
12	+	100212-42030	2	OILSEAL	ISCD12*22*4.5	Sus. by 100212-42031	

1. Cylinder, Crankcase, Piston

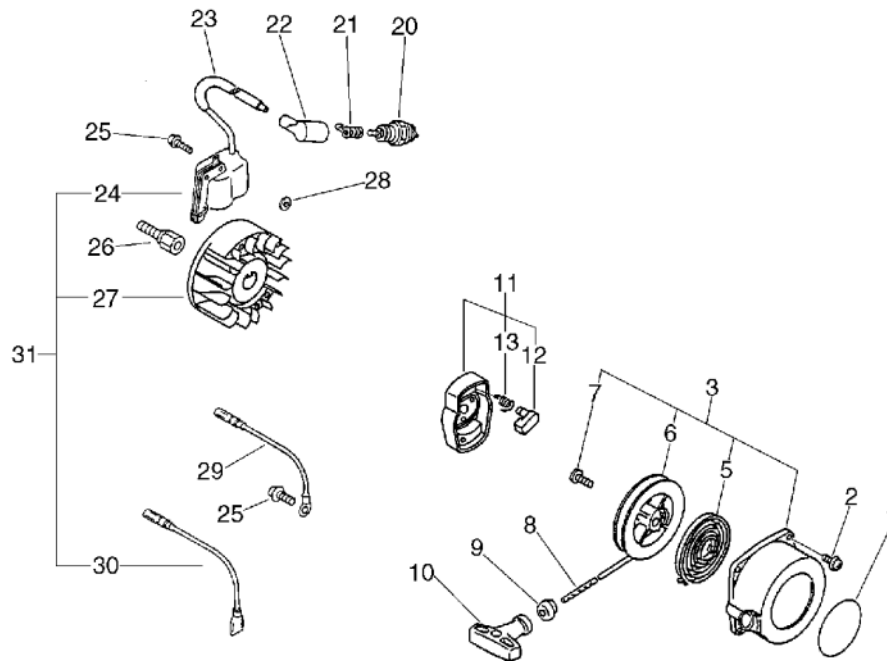
No.1



KEY	LV	PART NUMBER	Q'TY	DESCRIPTION	REMARKS	NOTE1	NOTE2
12	+	100212-42031	2	OILSEAL	ISCD 12*22*4.5		
13	+	100215-03930	2	PIN, DOWEL			
14	+	900810-36201	2	BEARING, BALL 6201	6201/C3	Sus. by 94035-36201	
14	+	94035-36201	2	BEARING BALL	6201X3JR2C3		
15	+	100242-42030	1	GASKET, CRANKCASE			
16	+	900162-05028	3	BOLT, H.S. 5*28	5*28 W,SW		

2. Starter, Magneto

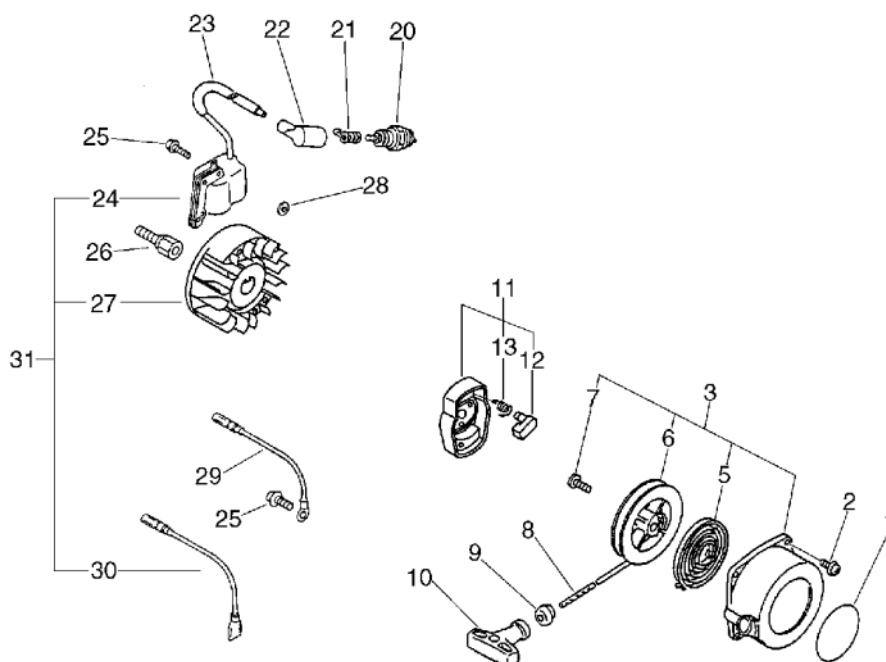
No.2



KEY	LV	PART NUMBER	Q'TY	DESCRIPTION	REMARKS	NOTE1	NOTE2
1		890118-49130	1	LABEL, ECHO			
2		900162-04016	4	BOLT, H.S. 4*16	4*16 W,SW	Sus. by 900163-04016	
2		900163-04016	4	BOLT HSH			
3		177200-42033	1	STARTER ASSY			
5	+	177220-42030	1	SPRING, REWIND			
6	+	177215-44430	1	DRUM, STARTER			
7	+	177236-44330	1	SCREW			
8	+	177226-10120	1	ROPE, STARTER	3.0*1000		
9	+	177227-42030	1	GUIDE, ROPE			
10	+	177228-06530	1	GRIP, STARTER			
11		177202-44330	1	PAWL ASSY, STARTER		Sus. by A052-000061	
11	+	A052-000060	1	PULLEY,ASM STARTER		Sus. by A052-000061	
11	+	A052-000061	1	PULLEY,ASM STARTER			
12	+	177218-44330	1	PAWL, STARTER	BLACK		
13	+	177234-42030	1	SPRING, RETURN			
13	+	177234-12220	1	SPRING, PAWL		Can be used on the A052-000061 only	
20		159017-10230	1	PLUG, SPARK (RCJ-7Y)	RCJ-7Y		
21		159011-03432	1	COIL, SPARK PLUG			
22		159012-03433	1	CAP, SPARK PLUG			
23		156611-05060	1	TUBE	6*8*150		

2. Starter, Magneto

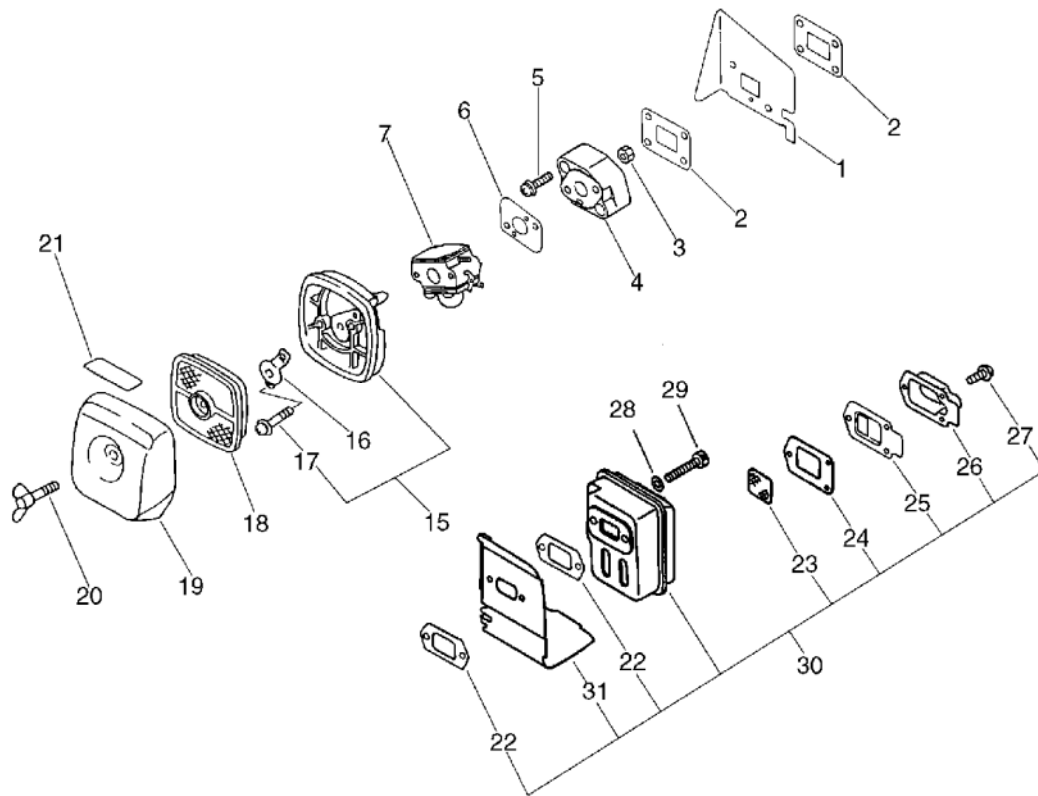
No.2



KEY	LV	PART NUMBER	Q'TY	DESCRIPTION	REMARKS	NOTE1	NOTE2
24		158626-06361	1	COIL, IGNITION		Sr/Nr 015067 and before	
25		900162-04022	2	BOLT, H.S. 4*22	4*22 W,SW		
26		200011-05661	1	HUB, FAN			
27		158800-20560	1	ROTOR, MAGNETO		Sr/Nr 015067 and before	
28		101531-54330	2	COLLAR		Sr/Nr 015067 and before	
29		162021-20560	1	LEAD	130L		
30		162010-20560	1	LEAD, GROUND	130L	Sr/Nr 015067 and before	
31		P021-001180	1	MAGNETO ASY			
24	+	A411-000020	1	COIL,IGNITION		Sr/Nr 015068 and after/PB-2105	
27	+	A409-000000	1	ROTOR,MAGNETO		Sus. by A409-000100	
27	+	A409-000100	1	ROTOR,MAGNETO		Sr/Nr 015068 and after/PB-2105	
30	+	V485-000040	1	LEAD		Sr/Nr 015068 and after/PB-2105	

3. Air Cleaner, Muffler

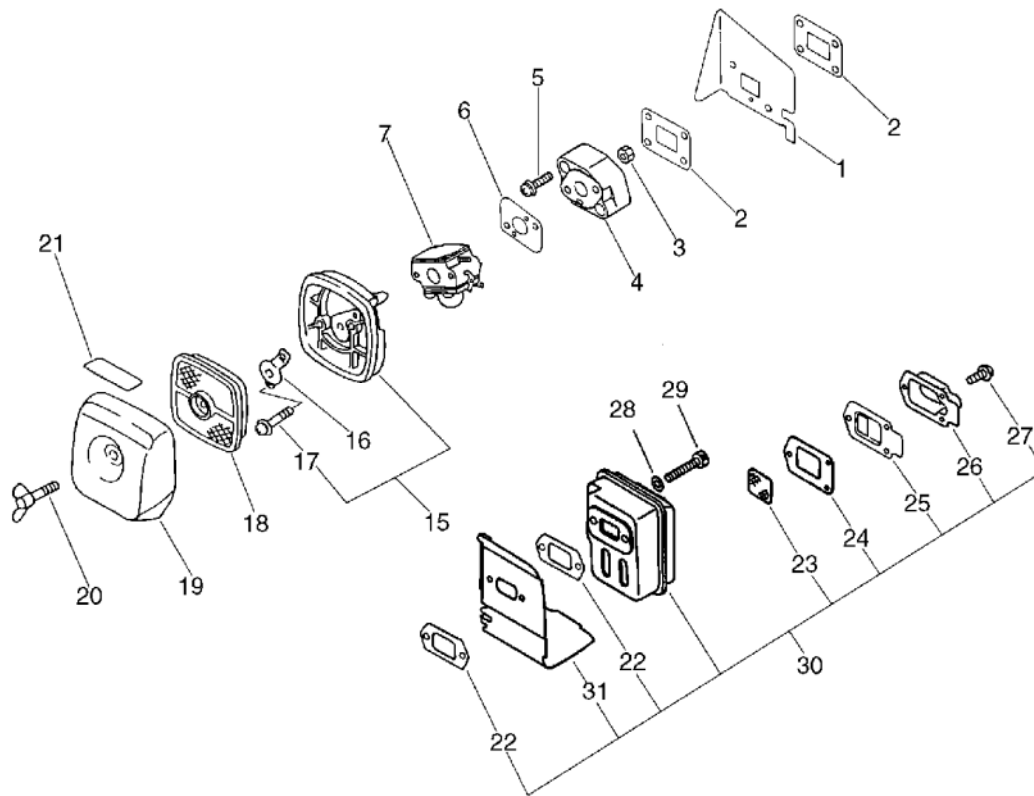
No.3



KEY	LV	PART NUMBER	Q'TY	DESCRIPTION	REMARKS	NOTE1	NOTE2
1		101514-20560	1	COVER, CYLINDER			
2		130010-09561	2	GASKET, INTAKE			
3		900500-00005	2	NUT 5	5		
4		130017-05062	1	INSULATOR, INTAKE			
5		900238-05022	2	SCREW 5*22	5*22		
6		130010-20560	1	GASKET, INTAKE			
7		125200-20660	1	CARBURETOR ASSY	C1UK43A	Sus. by 125200-20662	
7		125200-20661	1	CARBURETOR	C1U-K43B	Sus. by 125200-20662	
7		125200-20662	1	CARBURETOR	C1U-K43B		
15		130307-06561	1	CASE, AIR CLEANER			
15		P021-002921	1	CASE, AIR CLEANER			
17	+	900242-05065	2	SCREW 5*65	5*65		
16		129011-52730	1	PLATE, PREVENT			
18		130310-54130	1	FILTER, AIR			
19		130313-06563	1	LID, AIR CLEANER			
20		210417-52730	1	BOLT, WING	5*20		
21		890121-05360	1	LABEL, METERING			
30		145800-20560	1	MUFFLER ASSY		Sr/Nr 013006 and before	
30		P021-000960	1	MUFFLER ASY		Sus. by P021-000962	
30		P021-000961	1	MUFFLER ASY		Sus. by P021-000962	

3. Air Cleaner, Muffler

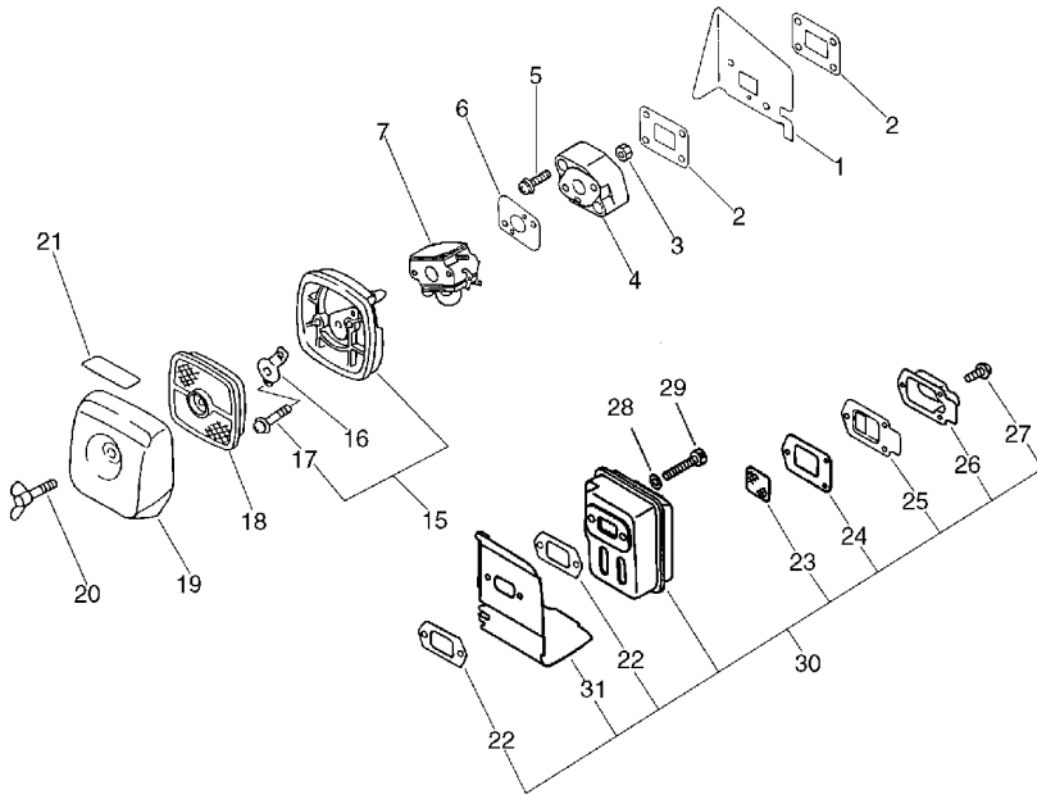
No.3



KEY	LV	PART NUMBER	Q'TY	DESCRIPTION	REMARKS	NOTE1	NOTE2
30		P021-000962	1	MUFFLER ASY		Sr/Nr 013007 and after/PB-2105	
22	+	145510-42031	2	GASKET, MUFFLER		Sus. by V104-000160	
22	+	V104-000160	2	GASKET, EXHAUST			
23	+	145862-40630	1	SCREEN, MUFFLER			
24	+	145866-42031	1	GASKET, MUFFLER LID		Sr/Nr 013006 and before	
24	+	V104-000000	1	GASKET, EXHAUST		Sus. by V104-000003	
24	+	V104-000001	1	GASKET, EXHAUST		Sus. by V104-000003	
24	+	V104-000002	1	GASKET, EXHAUST		Sus. by V104-000003	
24	+	V104-000003	1	GASKET, EXHAUST		Sr/Nr 013007 and after/PB-2105	
25	+	145876-42030	1	LID, MUFFLER (B)			
26	+	145874-20560	1	ADAPTER		Sr/Nr 013006 and before	
26	+	A313-000020	1	GUIDE, EXH		Sr/Nr 013007 and after/PB-2105	
27	+	900242-04010	3	SCREW 4*10	4*10		
31	+	145871-05760	1	COVER, MUFFLER			

3. Air Cleaner, Muffler

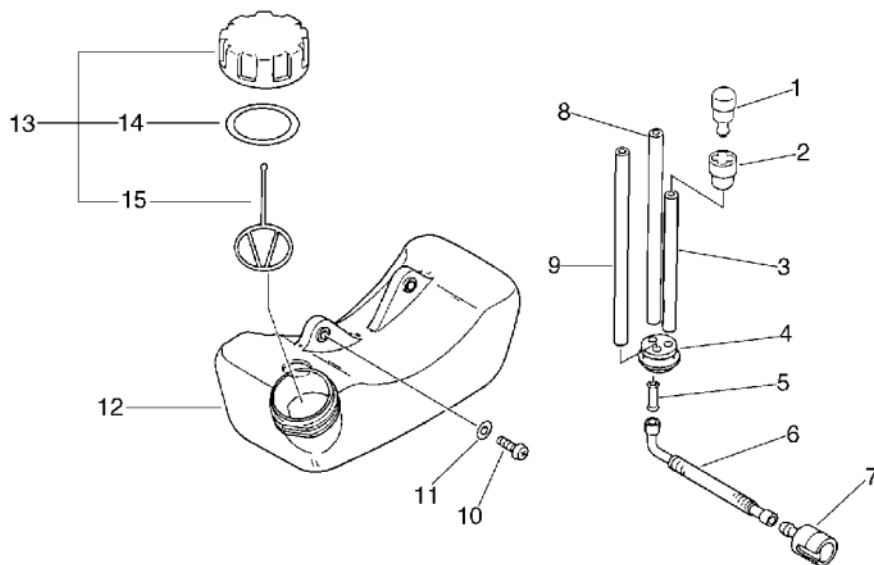
No.3



KEY	LV	PART NUMBER	Q'TY	DESCRIPTION	REMARKS	NOTE1	NOTE2
28		900603-00005	2	WASHER 5	5.5*12*0.8		
29		900105-05055	2	BOLT, H.S. 5*55	5*55		

4. Fuel Tank

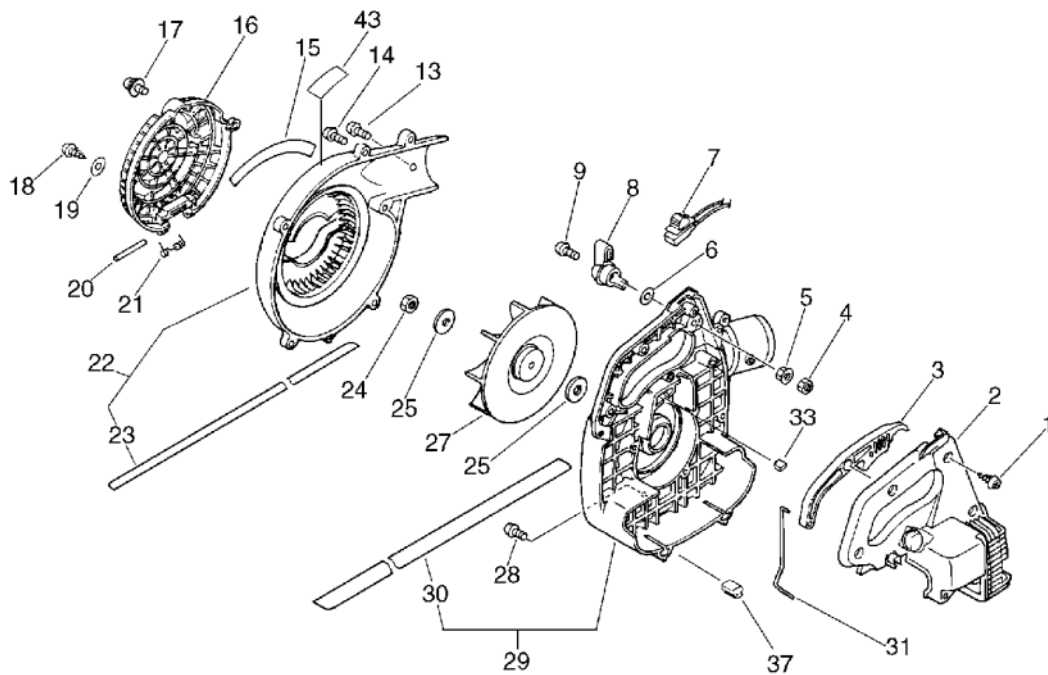
No.4



KEY	LV	PART NUMBER	Q'TY	DESCRIPTION	REMARKS	NOTE1	NOTE2
1		131300-56430	1	VALVE, CHECK		Sus. by A356-000030	
1		A356-000030	1	VALVE,CHECK			
2		131328-40630	1	COVER, VENT			
3		131312-39130	1	PIPE	3*5*70(+3)NBR	Sus. by V471-001200	
3		V471-001200	1	PIPE	3*5*70 NBR		
4		132115-46730	1	GROMMET, FUEL		Sus. by V137-000030	
4		V137-000030	1	GROMMET,FUEL			
5		132011-03360	1	CONNECTOR, FUEL PIPE			
6		132012-12360	1	PIPE, FUEL			
7		131205-07320	1	STRAINER, FUEL			
8		437210-11131	1	PIPE 3*5*90 NBR	3*5*90 NBR	Sus. by V471-001210	
8		V471-001210	1	PIPE	3*5*90 NBR		
9		132010-56330	1	PIPE 3*6*90	3*6*90 YL		
10		900238-05016	2	SCREW 5*16	5*16		
11		900603-00005	2	WASHER 5	5.5*12*0.8		
12		131005-20560	1	TANK, FUEL		Sus. by 131005-20561	
12		131005-20561	1	TANK, FUEL			
13		131004-55530	1	CAP ASSY, FUEL TANK			
14	+	131016-55830	1	GASKET, FUEL CAP			
15	+	131051-56030	1	CLIP, FUEL CAP	100L		

5. Fan Case

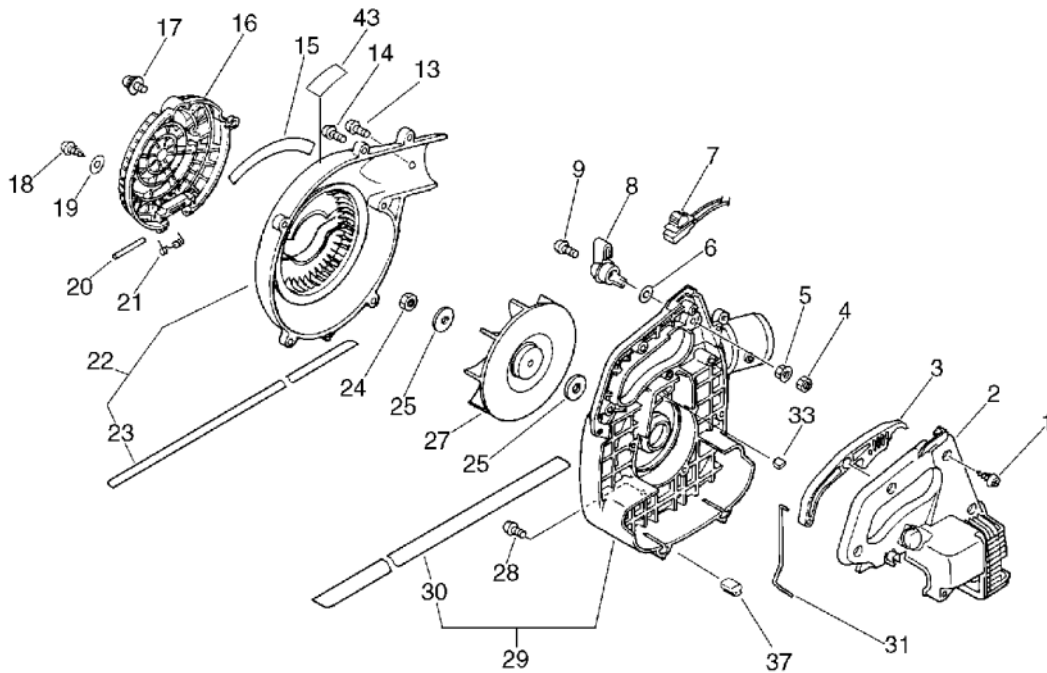
No.5



KEY	LV	PART NUMBER	Q'TY	DESCRIPTION	REMARKS	NOTE1	NOTE2
1		900253-05020	5	SCREW 5*20	5*20	Sus. by 900253-05020 Q'ty:7	
1		900253-05020	7	SCREW 5*20	5*20	Can be used on 104012-20561 only	
2		104012-20560	1	COVER		Sus. by 104012-20561	
2		104012-20561	1	COVER			
3		178010-20560	1	CONTROL, THROTTLE			
4		900502-00005	1	NUT 5 (3N)	3N5		
5		900516-00005	1	NUT, FRANGE 5	5		
6		900603-00005	1	WASHER 5	5.5*12*0.8		
7		163400-20560	1	SWITCH, IGNITION		Sus. by 163401-20561	
7		163401-20560	1	SWITCH, IGNITION		Sus. by 163401-20561	
7		163401-20561	1	SWITCH, IGNITION			
8		178054-20560	1	CONTROL, THROTTLE			
9		900238-05025	1	SCREW 5*25	5*25		
13		900256-05010	1	SCREW, TAPPING			
14		900253-05020	6	SCREW 5*20	5*20		
15		890112-20560	1	LABEL, MODEL			
16		200124-20660	1	GRID, FAN CASE			
16		200124-20661	1	GRID, FAN CASE			

5. Fan Case

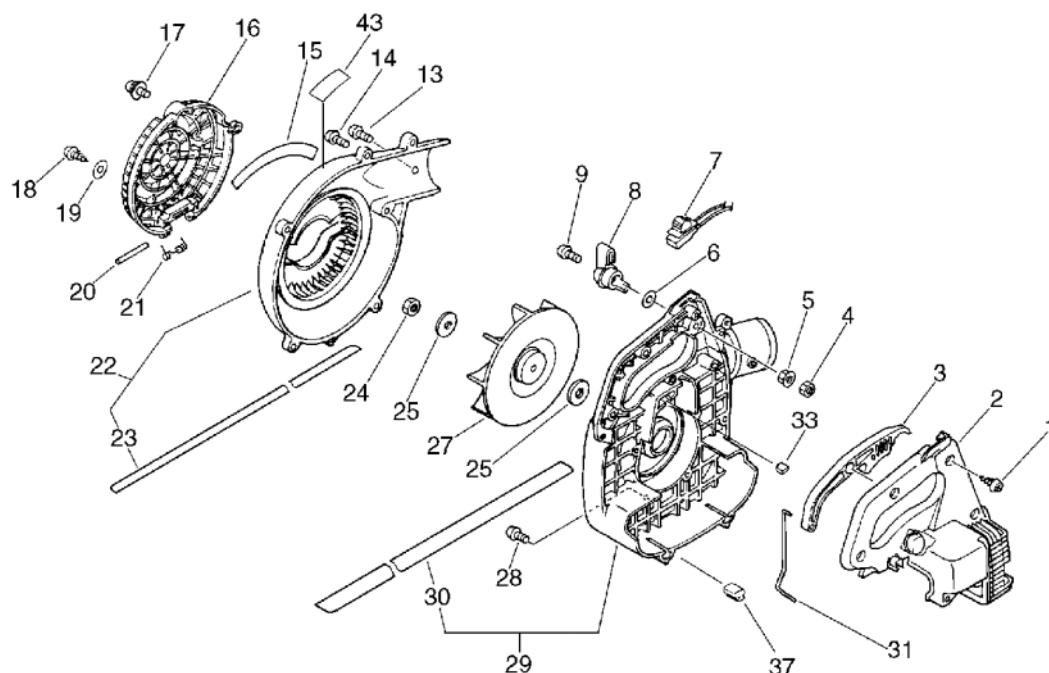
No.5



KEY	LV	PART NUMBER	Q'TY	DESCRIPTION	REMARKS	NOTE1	NOTE2
17		900238-05016	1	SCREW 5*16	5*16	Sus. by V203-000060	
17		900238-05022	1	SCREW 5*22	5*22	Sus. by V203-000060	
17		V203-000060	1	BOLT,5			
18		900253-05014	1	SCREW 5*14	5*14		
19		900603-00005	1	WASHER 5	5.5*12*0.8		
20		200150-05060	1	SHAFT, GRID			
21		200152-05060	1	SPRING, GRID			
22		200109-20660	1	CASE, FAN		Sus. by 200111-20664	
22		200109-20661	1	CASE, FAN		Sus. by 200111-20664	
22		200109-20662	1	CASE, FAN		Sus. by 200111-20664	
22		200109-20663	1	CASE, FAN		Sus. by 200111-20664	
22		200111-20663	1	CASE, FAN		Sus. by 200111-20664	
22		200111-20664	1	CASE, FAN			
23	+	220120-20560	1	CUSHION		Sus. by 220120-20561	
23	+	220120-20561	1	CUSHION		Can not be used on 200111-20663	
24		900500-00008	1	NUT 8	8*P1.25		

5. Fan Case

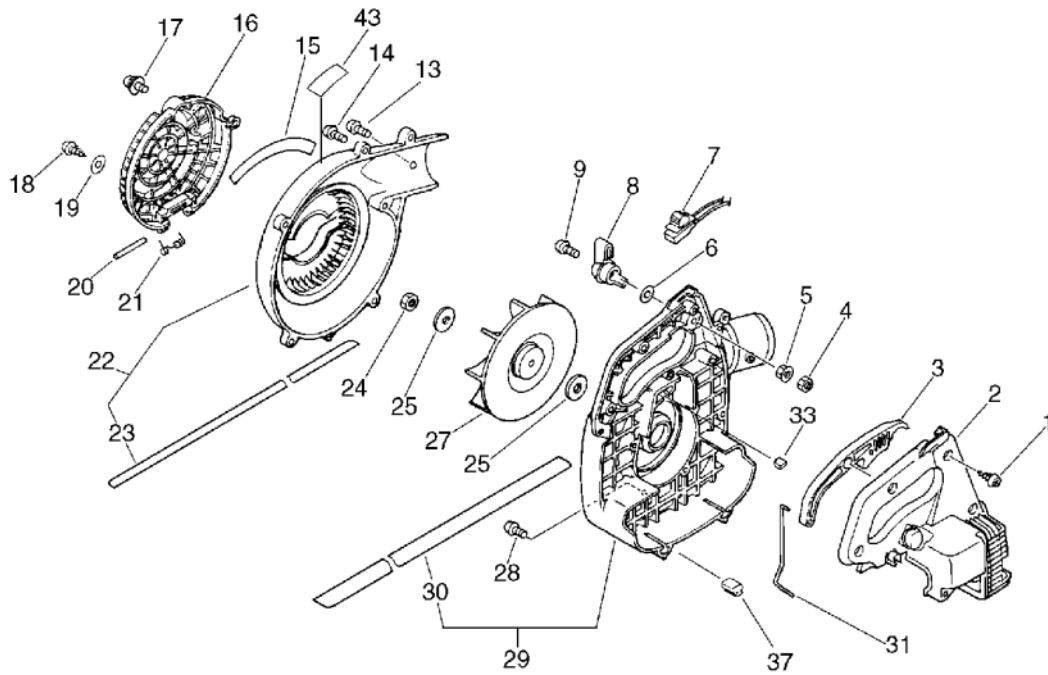
No.5



KEY	LV	PART NUMBER	Q'TY	DESCRIPTION	REMARKS	NOTE1	NOTE2
25		100132-05660	2	WASHER	8.2*30*3.0		
27		200010-06362	1	FAN		Sus. by 200010-06363	
27		200010-06363	1	FAN			
28		900162-04022	4	BOLT, H.S. 4*22	4*22 W,SW		
29		200108-20661	1	CASE, FAN		Sus. by P021-003703	
29		200108-20662	1	CASE, FAN		Sus. by P021-003703	
29		P021-003700	1	CASE, FAN(W/PLUG)		Sus. by P021-003703	
29		P021-003701	1	CASE, FAN(W/PLUG)		Sus. by P021-003703	
29		P021-003702	1	CASE, FAN(W/PLUG)		Sus. by P021-003703	
29		P021-003703	1	CASE, FAN(W/PLUG)			
30	+	220120-20660	1	CUSHION		Sus. by 220120-20661	
30	+	220120-20661	1	CUSHION		Can not be used on P021-003702	
33	+	101538-28230	1	GROMMET, PLUG			
31		178011-20560	1	ROD, THROTTLE		Sus. by 178011-20561	
31		178011-20561	1	ROD, THROTTLE			
37		351335-20560	2	CUSHION			

5. Fan Case

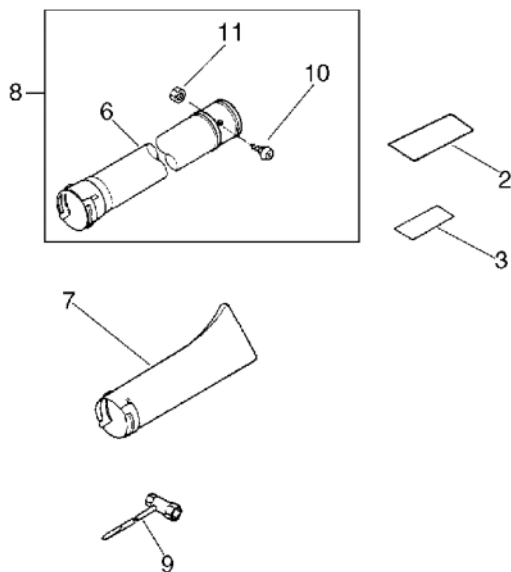
No.5



KEY	LV	PART NUMBER	Q'TY	DESCRIPTION	REMARKS	NOTE1	NOTE2
43		X505-001010	1	LABEL,CAUTION			

6. Pipe, Tool

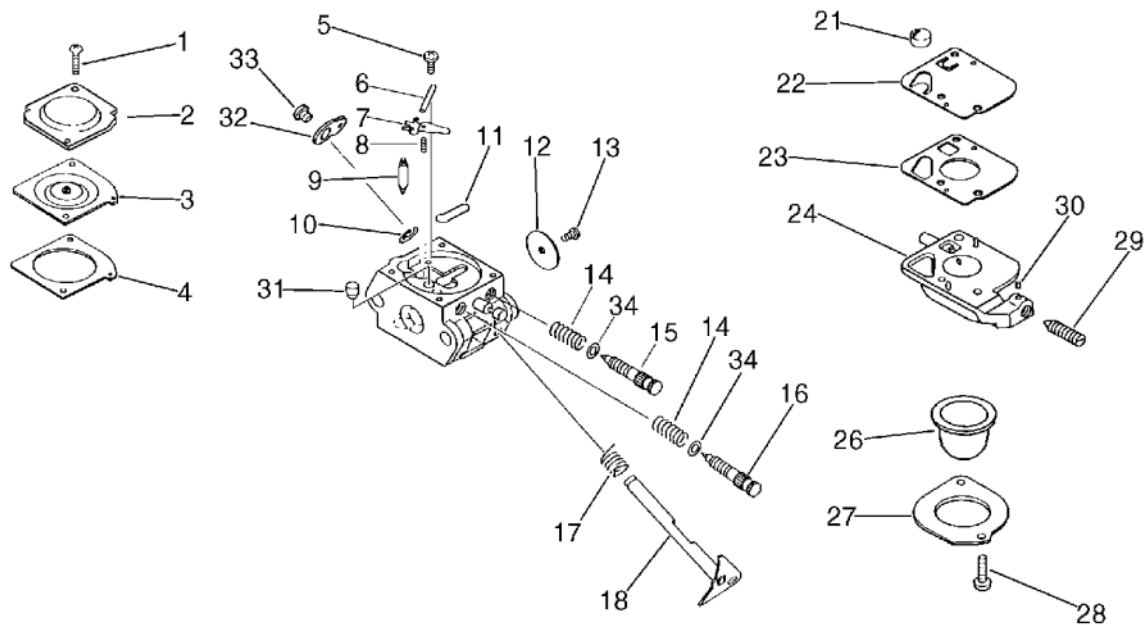
No.6



KEY	LV	PART NUMBER	Q'TY	DESCRIPTION	REMARKS	NOTE1	NOTE2
2		890160-09460	1	LABEL, CAUTION		Sus. by 890160-09461	
2		890160-09461	1	LABEL, CAUTION			
3		890160-06360	1	LABEL, CAUTION		Sus. by 890160-06361	
3		890160-06361	1	LABEL, CAUTION			
6		210015-05060	1	PIPE, STRAIGHT (BL)		Sus. by 210007-20660	
8		210007-20660	1	PIPE, BLOWER			
10	+	900238-05010	1	SCREW 5*10	5*10		
11	+	900500-00005	1	NUT 5	5		
7		210014-20560	1	PIPE, BLOWER		Sus. by 210014-20660	
7		210014-20660	1	PIPE, STRAIGHT			
9		895410-00430	1	WRENCH, W/S. DRIVER			

7. Carburetor

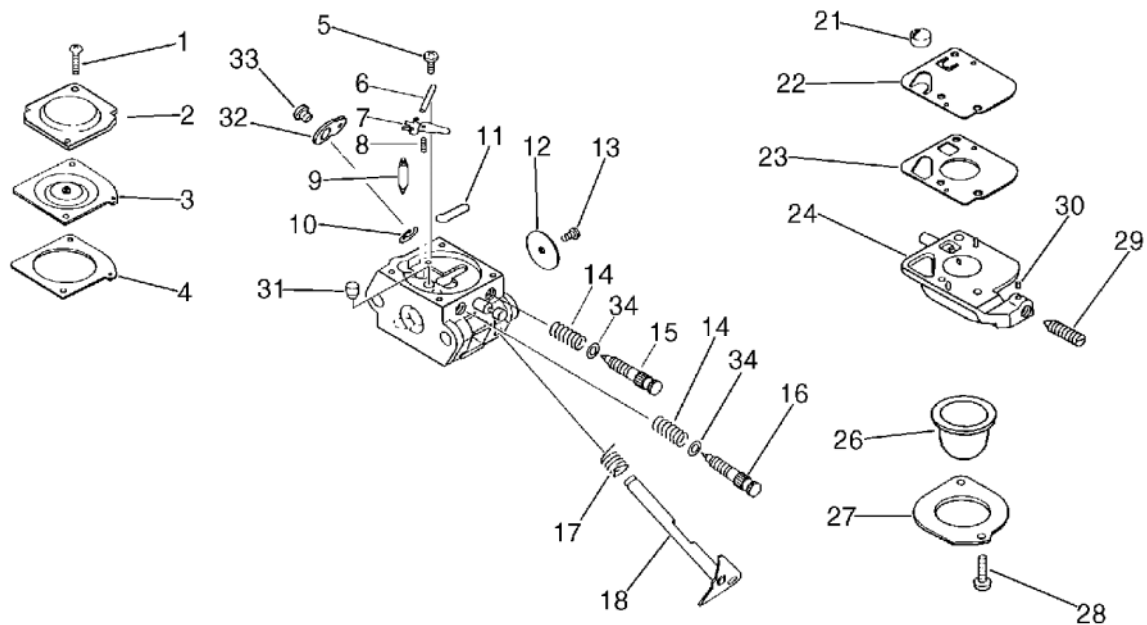
No.7



KEY	LV	PART NUMBER	Q'TY	DESCRIPTION	REMARKS	NOTE1	NOTE2
		125200-20660	1	CARBURETOR ASSY	C1UK43A	Sus. by 125200-20662	
		125200-20661	1	CARBURETOR	C1U-K43B	Sus. by 125200-20662	
		125200-20662	1	CARBURETOR	C1U-K43B		
1	+	125344-52130	2	SCREW			
2	+	125342-07360	1	COVER, DIAPHRAGM			
3	+	125341-34530	1	DIAPHRAGM			
4	+	125340-20560	1	GASKET, DIAPHRAGM			
5	+	125339-42030	1	SCREW			
6	+	125338-13930	1	PIN, METERING ARM			
7	+	125323-42030	1	LEVER, METERING			
8	+	125322-07260	1	SPRING, COIL			
9	+	125337-06960	1	VALVE, INLET NEEDLE			
10	+	125327-13930	1	CLIP			
11	+	125345-15130	1	PLUG, WELCH			
12	+	125316-20560	1	VALVE, THROTTLE			
13	+	125314-51230	1	SCREW	3*4.5		
14	+	125319-42030	2	SPRING, COIL		Sr/Nr 018861 and before	
15	+	125318-20560	1	NEEDLE, IDLE		Sr/Nr 018861 and before	
15	+	P005-000440	1	SCREW ASY IDLE MIX.		Sr/Nr 018862 and after/PB-2105	

7. Carburetor

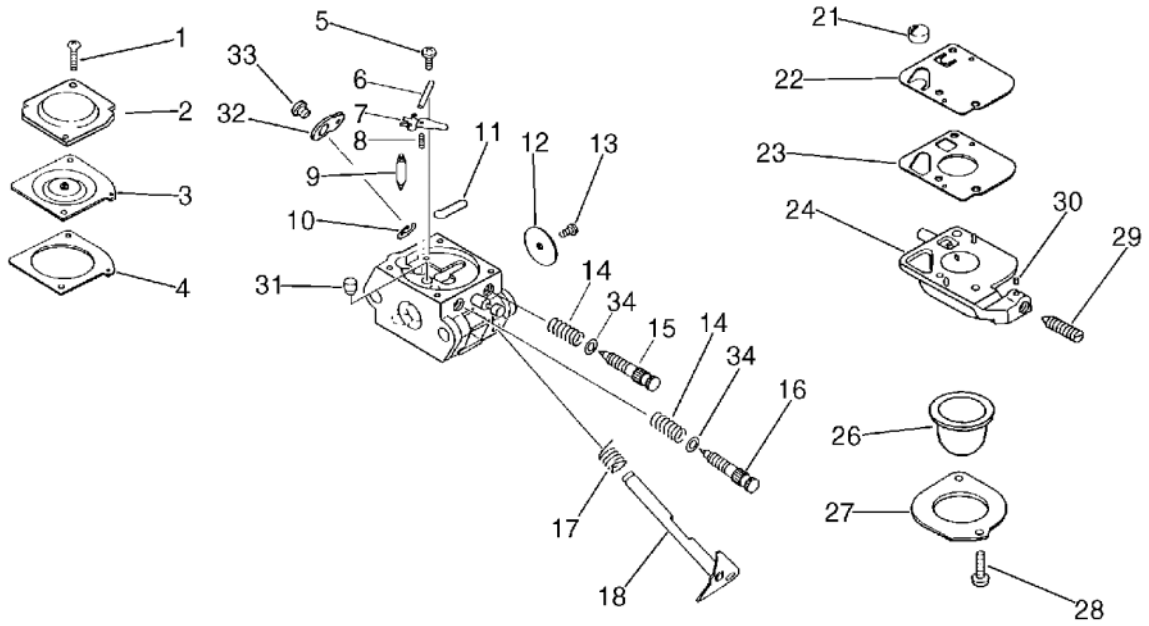
No.7



KEY	LV	PART NUMBER	Q'TY	DESCRIPTION	REMARKS	NOTE1	NOTE2
16	+	125320-20560	1	NEEDLE, HIGH SPEED		Sr/Nr 018861 and before	
16	+	125320-13310	1	NEEDLE, HIGH SPEED		Sr/Nr 018862 and after/PB-2105	
17	+	125313-08560	1	SPRING, THRT. RETURN			
18	+	125317-06860	1	SHAFT, THROTTLE			
21	+	125326-42030	1	STRAINER			
22	+	125312-12820	1	DIAPHRAGM, FUEL PUMP			
23	+	125325-42030	1	GASKET, FUEL PUMP		Sus. by 125325-13310	
23	+	125325-13310	1	GASKET, PUMP			
24	+	125324-11610	1	COVER, PUMP		Sus. by P005-000990	
24	+	125383-13310	1	BASE, PRIMER		Sus. by P005-000990	
24	+	P005-000990	1	BASE, PRIMER			
26	+	125381-46730	1	PUMP, PRIMING		Sus. by 125381-08660	
26	+	125381-08660	1	PUMP, PRIMING			
27	+	125363-11610	1	RING			
28	+	125310-11610	2	SCREW			
29	+	125334-06860	1	SCREW, IDLE ADJUST			
30	+	125378-13930	1	PIECE, FRICTION			
31	+	125376-20660	1	NOZZLE, CHECK VALVE			
32	+	125350-20560	1	LEVER, THROTTLE			

7. Carburetor

No.7



KEY	LV	PART NUMBER	Q'TY	DESCRIPTION	REMARKS	NOTE1	NOTE2
33	+	125348-13930	1	SCREW			
34	+	125353-20560	2	WASHER		Sr/Nr 018861 and before	
		125303-20560	1	GASKET/DIAPHRAGM KIT			
		125300-20560	1	REBUILD KIT			

8. Repair Kit

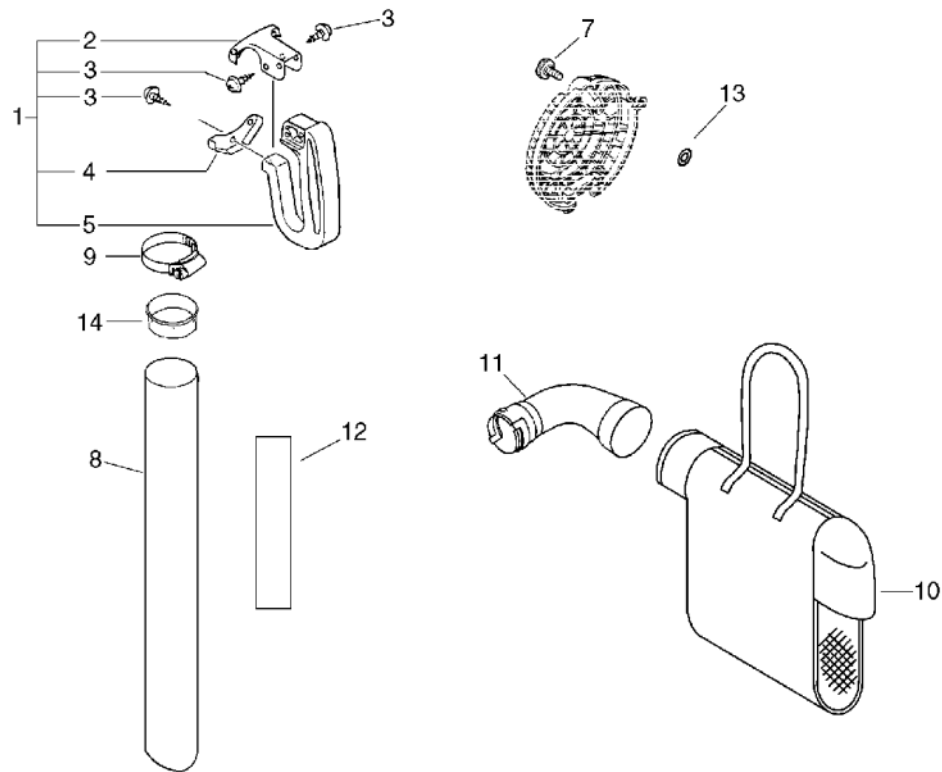
KEY	LV	PART NUMBER	Q'TY	DESCRIPTION	REMARKS	NOTE1	NOTE2
		125303-20560	1	GASKET/DIAPHRAGM KIT			
7-3	+	125341-34530	1	DIAPHRAGM			
7-4	+	125340-20560	1	GASKET, DIAPHRAGM			
7-22	+	125312-42030	1	DIAPHRAGM, FUEL PUMP		Old	
7-22	+	125312-12820	1	DIAPHRAGM, FUEL PUMP		New	
7-23	+	125325-42030	1	GASKET, FUEL PUMP		Sus. by 125325-13310	
7-23	+	125325-13310	1	GASKET, PUMP			
		125300-20560	1	REBUILD KIT			
7-3	+	125341-34530	1	DIAPHRAGM			
7-4	+	125340-20560	1	GASKET, DIAPHRAGM			
7-6	+	125338-13930	1	PIN, METERING ARM			
7-7	+	125323-42030	1	LEVER, METERING			
7-8	+	125322-07260	1	SPRING, COIL			
7-9	+	125337-06960	1	VALVE, INLET NEEDLE			
7-11	+	125345-15130	1	PLUG, WELCH			
7-21	+	125326-42030	1	STRAINER			
7-22	+	125312-42030	1	DIAPHRAGM, FUEL PUMP		Old	
7-22	+	125312-12820	1	DIAPHRAGM, FUEL PUMP		New	
7-23	+	125325-42030	1	GASKET, FUEL PUMP		Sus. by 125325-13310	
7-23	+	125325-13310	1	GASKET, PUMP			

9. Vacuum Attachment

No.9 Vacuum Attachment PBAV-1000

Standard for PB-2110

Option for PB-2105



KEY	LV	PART NUMBER	Q'TY	DESCRIPTION	REMARKS	NOTE1	NOTE2
1		351000-05060	1	HANDLE ASSY, REAR			
2	+	351011-05060	1	SUPPORTER HANDLE			
3	+	900253-05014	3	SCREW 5*14	5*14	Sus. by 900253-05016	
3	+	900253-05016	3	SCREW	5*16		
4	+	351028-05060	1	SUPPORTER, HANDLE			
5	+	351010-05060	1	HANDLE (BL)			
7		130406-06360	1	KNOB, FASTENER		Sus. by 130406-20660	
7		130406-20660	1	THUMB			
8		210027-06562	1	PIPE, SUCTION	115*880	Sus. by E180-000000	
8		E180-000000	1	PIPE, SUCTION	115MM D. X 888MM		
9		210413-05060	1	CLAMP, FLEXIBLE PIPE			
10		880814-09460	1	BAG, DUST(W/HARNESS)		Sus. by X692-000020	
10		X692-000020	1	BAG, DUST			
11		215012-05060	1	CONNECTOR (BL)			
12		890118-04261	2	LABEL, ECHO			
13		900580-00004	1	PUSH, RING			
14		385155-09660	1	SLEEVE		Can be used on 210027-06562	

Index

Patrs Number	Key No.	Patrs Number	Key No.	Patrs Number	Key No.
100000-11520	1 - 4	125320-13310	7 - 16	130406-20660	9 - 7
100000-48730	1 - 4	125320-20560	7 - 16	131004-55530	4 - 13
100000-48731	1 - 4	125322-07260	7 - 8	131005-20560	4 - 12
100011-05330	1 - 5	125322-07260	8 - 7-8	131005-20561	4 - 12
100012-51230	1 - 10	125323-42030	7 - 7	131016-55830	4 - 14
100013-11520	1 - 6	125323-42030	8 - 7-7	131051-56030	4 - 15
100014-11520	1 - 8	125324-11610	7 - 24	131205-07320	4 - 7
100015-04630	1 - 7	125325-13310	7 - 23	131300-56430	4 - 1
100100-44732	1 - 9	125325-13310	8 - 7-23	131312-39130	4 - 3
100100-54130	1 - 9	125325-13310	8 - 7-23	131328-40630	4 - 2
100132-05660	5 - 25	125325-42030	7 - 23	132010-56330	4 - 9
100204-52130	1 - 11	125325-42030	8 - 7-23	132011-03360	4 - 5
100204-52131	1 - 11	125325-42030	8 - 7-23	132012-12360	4 - 6
100204-52132	1 - 11	125326-42030	7 - 21	132115-46730	4 - 4
100212-42030	1 - 12	125326-42030	8 - 7-21	145510-42031	3 - 22
100212-42031	1 - 12	125327-13930	7 - 10	145800-20560	3 - 30
100215-03930	1 - 13	125334-06860	7 - 29	145862-40630	3 - 23
100242-42030	1 - 15	125337-06960	7 - 9	145866-42031	3 - 24
101010-44332	1 - 3	125337-06960	8 - 7-9	145871-05760	3 - 31
101011-06560	1 - 1	125338-13930	7 - 6	145874-20560	3 - 26
101011-06561	1 - 1	125338-13930	8 - 7-6	145876-42030	3 - 25
101011-06562	1 - 1	125339-42030	7 - 5	156611-05060	2 - 23
101514-20560	3 - 1	125340-20560	7 - 4	158626-06361	2 - 24
101531-54330	2 - 28	125340-20560	8 - 7-4	158800-20560	2 - 27
101538-28230	5 - 33	125340-20560	8 - 7-4	159011-03432	2 - 21
104012-20560	5 - 2	125341-34530	7 - 3	159012-03433	2 - 22
104012-20561	5 - 2	125341-34530	8 - 7-3	159017-10230	2 - 20
125200-20660	3 - 7	125341-34530	8 - 7-3	162010-20560	2 - 30
125200-20660	7 -	125342-07360	7 - 2	162021-20560	2 - 29
125200-20661	3 - 7	125344-52130	7 - 1	163400-20560	5 - 7
125200-20661	7 -	125345-15130	7 - 11	163401-20560	5 - 7
125200-20662	3 - 7	125345-15130	8 - 7-11	163401-20561	5 - 7
125200-20662	7 -	125348-13930	7 - 33	177200-42033	2 - 3
125300-20560	7 -	125350-20560	7 - 32	177202-44330	2 - 11
125300-20560	8 -	125353-20560	7 - 34	177215-44430	2 - 6
125303-20560	7 -	125363-11610	7 - 27	177218-44330	2 - 12
125303-20560	8 -	125376-20660	7 - 31	177220-42030	2 - 5
125310-11610	7 - 28	125378-13930	7 - 30	177226-10120	2 - 8
125312-12820	7 - 22	125381-08660	7 - 26	177227-42030	2 - 9
125312-12820	8 - 7-22	125381-46730	7 - 26	177228-06530	2 - 10
125312-12820	8 - 7-22	125383-13310	7 - 24	177234-12220	2 - 13
125312-42030	8 - 7-22	129011-52730	3 - 16	177234-42030	2 - 13
125312-42030	8 - 7-22	130010-09561	3 - 2	177236-44330	2 - 7
125313-08560	7 - 17	130010-20560	3 - 6	178010-20560	5 - 3
125314-51230	7 - 13	130017-05062	3 - 4	178011-20560	5 - 31
125316-20560	7 - 12	130307-06561	3 - 15	178011-20561	5 - 31
125317-06860	7 - 18	130310-54130	3 - 18	178054-20560	5 - 8
125318-20560	7 - 15	130313-06563	3 - 19	200010-06362	5 - 27
125319-42030	7 - 14	130406-06360	9 - 7	200010-06363	5 - 27

Index

Patrs Number	Key No.	Patrs Number	Key No.	Patrs Number	Key No.
200011-05661	2 - 26	900238-05010	6 - 10	P021-002921	3 - 15
200108-20661	5 - 29	900238-05016	4 - 10	P021-003700	5 - 29
200108-20662	5 - 29	900238-05016	5 - 17	P021-003701	5 - 29
200109-20660	5 - 22	900238-05022	3 - 5	P021-003702	5 - 29
200109-20661	5 - 22	900238-05022	5 - 17	P021-003703	5 - 29
200109-20662	5 - 22	900238-05025	5 - 9	V104-000000	3 - 24
200109-20663	5 - 22	900242-04010	3 - 27	V104-000001	3 - 24
200111-20663	5 - 22	900242-05065	3 - 17	V104-000002	3 - 24
200111-20664	5 - 22	900253-05014	5 - 18	V104-000003	3 - 24
200124-20660	5 - 16	900253-05014	9 - 3	V104-000160	3 - 22
200124-20661	5 - 16	900253-05016	9 - 3	V137-000030	4 - 4
200150-05060	5 - 20	900253-05020	5 - 1	V203-000060	5 - 17
200152-05060	5 - 21	900253-05020	5 - 1	V471-001200	4 - 3
210007-20660	6 - 8	900253-05020	5 - 14	V471-001210	4 - 8
210014-20560	6 - 7	900256-05010	5 - 13	V485-000040	2 - 30
210014-20660	6 - 7	900500-00005	3 - 3	X505-001010	5 - 43
210015-05060	6 - 6	900500-00005	6 - 11	X692-000020	9 - 10
210027-06562	9 - 8	900500-00008	5 - 24		
210413-05060	9 - 9	900502-00005	5 - 4		
210417-52730	3 - 20	900516-00005	5 - 5		
215012-05060	9 - 11	900580-00004	9 - 13		
220120-20560	5 - 23	900603-00005	3 - 28		
220120-20561	5 - 23	900603-00005	4 - 11		
220120-20660	5 - 30	900603-00005	5 - 6		
220120-20661	5 - 30	900603-00005	5 - 19		
351000-05060	9 - 1	900810-36201	1 - 14		
351010-05060	9 - 5	94035-36201	1 - 14		
351011-05060	9 - 2	A011-000150	1 - 9		
351028-05060	9 - 4	A052-000060	2 - 11		
351335-20560	5 - 37	A052-000061	2 - 11		
385155-09660	9 - 14	A101-000000	1 - 5		
437210-11131	4 - 8	A130-000020	1 - 1		
880814-09460	9 - 10	A130-000021	1 - 1		
890112-20560	5 - 15	A313-000020	3 - 26		
890118-04261	9 - 12	A356-000030	4 - 1		
890118-49130	2 - 1	A409-000000	2 - 27		
890121-05360	3 - 21	A409-000100	2 - 27		
890160-06360	6 - 3	A411-000020	2 - 24		
890160-06361	6 - 3	E180-000000	9 - 8		
890160-09460	6 - 2	P005-000440	7 - 15		
890160-09461	6 - 2	P005-000990	7 - 24		
895410-00430	6 - 9	P021-000410	1 - 4		
900105-05055	3 - 29	P021-000411	1 - 4		
900162-04016	2 - 2	P021-000960	3 - 30		
900162-04022	2 - 25	P021-000961	3 - 30		
900162-04022	5 - 28	P021-000962	3 - 30		
900162-05022	1 - 2	P021-001101	1 - 4		
900162-05028	1 - 16	P021-001102	1 - 4		
900163-04016	2 - 2	P021-001180	2 - 31		

YAMABIKO CORPORATION

7-2 SUEHIROCHO 1-CHOME, OHME, TOKYO 198-8760, JAPAN
PHONE: 81-428-32-6118. FAX: 81-428-32-6145.



2110
No.