



PARTS CATALOGUE

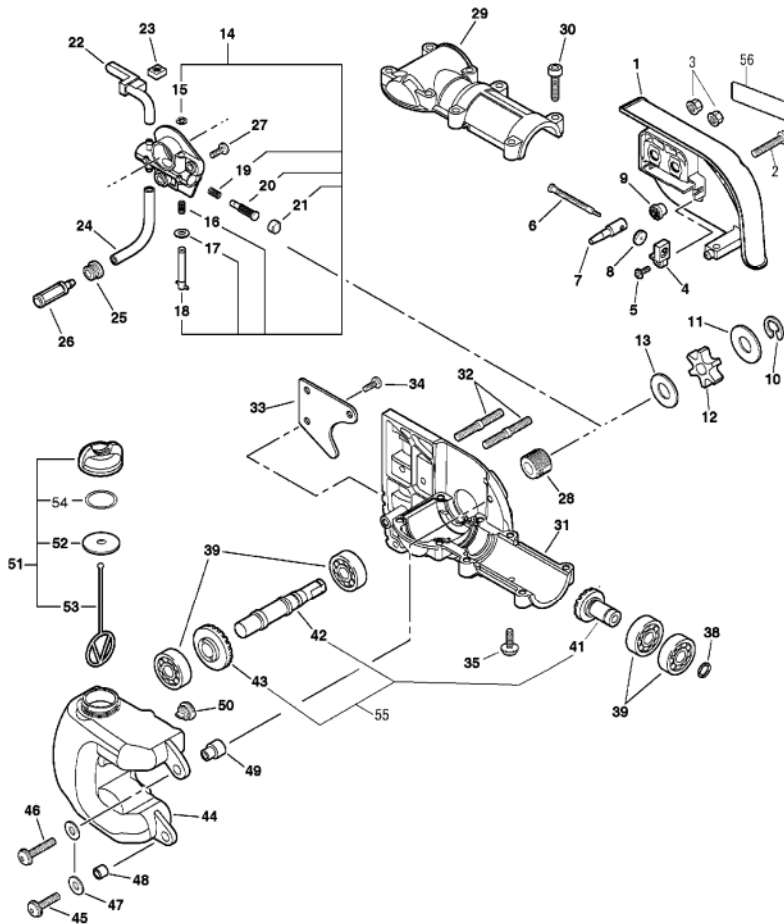
PAS ATTACHMENT PAS-PP(999442-00832)

- **35002649**

PAS-PP(999442-00832)

1. Gear Case

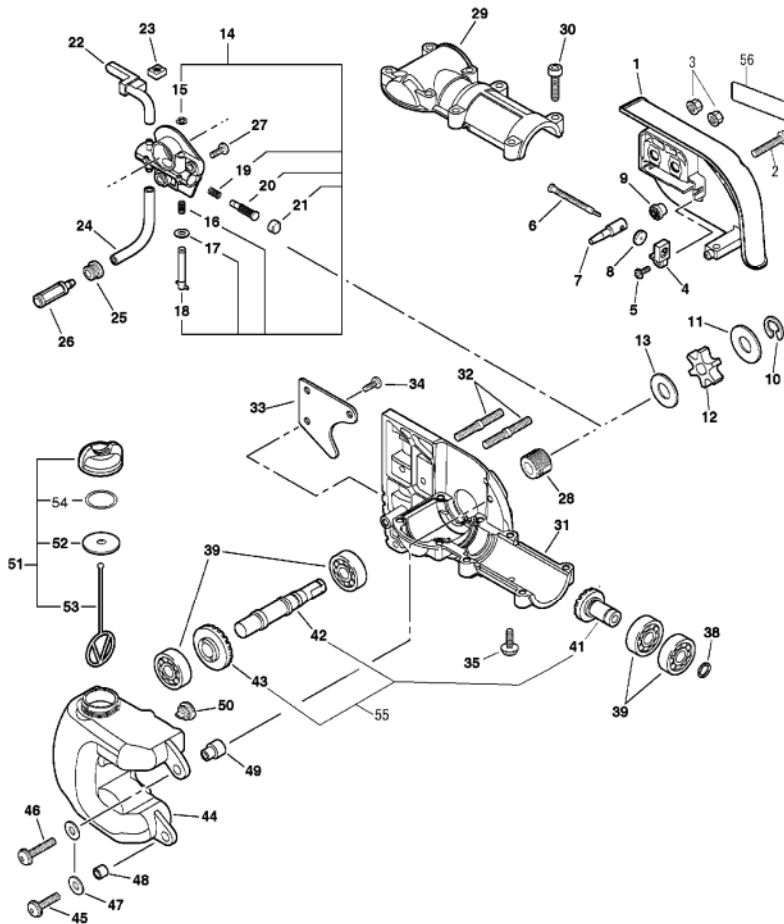
EU PAS PP 1. Gear Case



KEY	LV	PART NUMBER	Q'TY	DESCRIPTION	REMARKS	NOTE1	NOTE2
1		C300-000360	1	GUARD, SPROCKET	PPT-265	Sus. by C300-000361	
1		C300-000361	1	GUARD, SPROCKET			
2		V253-000180	1	SCREW,5	M5*20 PAN		
3		433019-03933	2	NUT, FLANGE 6	6		
4		V355-000140	1	COLLAR,8			
5		V252-000040	1	SCREW,4	4*8 PT SCREW		
6		V203-000041	1	BOLT,5			
7		C309-000030	1	TENSIONER,CHAIN			
8		V651-000310	1	GEAR,BEVEL	14 TEETH 3.0 SQ.		
9		V651-000320	1	GEAR,BEVEL	14 TEETH 10MM LG		
10		V583-000090	1	RING	EXTERNAL RING		
11		V307-000160	1	WASHER,CIRCULAR 10	10.2*29.5*T=1.2		
12		C580-000070	1	SPROCKET,DRIVE			
13		175014-39131	1	WASHER, CLUTCH	10.2*24.5*1.2		
14		C022-000010	1	OILER,ASM AUTO			
15	+	125327-15130	1	CLIP			
16	+	P022-010670	1	SPRING			
17	+	437029-37330	1	WASHER			
18	+	P022-010680	1	SCREW ASS'Y, ADJUST			
19	+	P022-010660	1	SPRING			

1. Gear Case

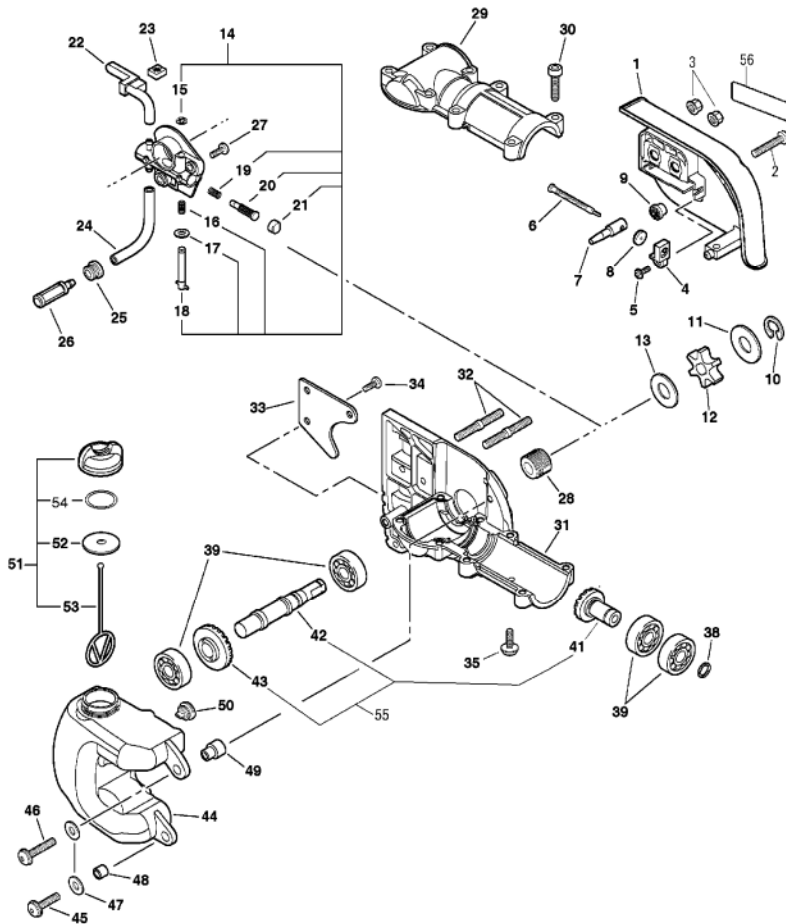
EU PAS PP 1. Gear Case



KEY	LV	PART NUMBER	Q'TY	DESCRIPTION	REMARKS	NOTE1	NOTE2
20	+	P022-010650	1	PLUNGER			
21	+	P022-010640	1	CAP, OIL PUMP			
22		V470-000180	1	PIPE			
23		437244-39130	1	PAD, FORM			
24		130110-12330	1	PIPE, IMPULSE	3*6*70L		
25		132115-01461	1	GROMMET			
26		436205-02832	1	STRAINER, OIL			
27		V253-000200	2	SCREW,5	M5*10 PAN MS		
28		437063-38330	1	GEAR, WORM			
29		C531-000030	1	CASE, GEAR			
30		V253-000240	8	SCREW,5	M5*25 PAN MS		
31		C531-000430	1	CASE, GEAR	LOWER		
32	+	V224-000040	2	BOLT, STUD 6	15MM*19MM M6		
33		C649-000140	1	HOOK	BRANCH HOOK		
34		V253-000200	3	SCREW,5	M5*10 PAN MS		
35		V253-000200	1	SCREW,5	M5*10 PAN MS		
38		900706-00012	1	CIRCLIP 12	WR-12		
39		94052-06001	2	BEARING BALL	PEER LLU,DDU 2RS		
55		P021-015340	1	GEAR, SHAFT KIT			
41	+	V651-000210	1	GEAR, BEVEL	MG 0600.2259		
42	+	C534-000430	1	SHAFT, GEAR			
43	+	V651-000201	1	GEAR, BEVEL	MG 0600.2259		
44		C200-000080	1	TANK, OIL			
45		V253-000230	2	SCREW,5	M5*20 PAN MS		
46		V253-000240	1	SCREW,5	M5*25 PAN MS		

1. Gear Case

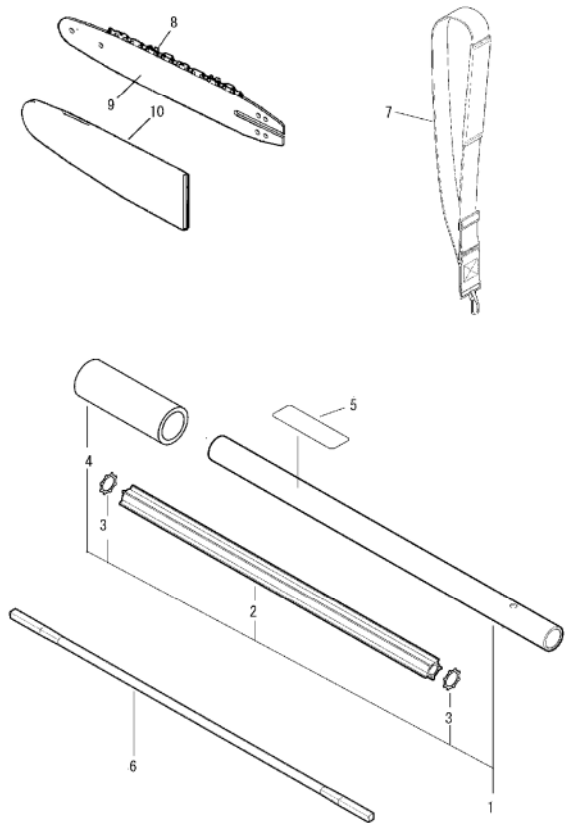
EU PAS PP 1. Gear Case



KEY	LV	PART NUMBER	Q'TY	DESCRIPTION	REMARKS	NOTE1	NOTE2
47		900603-00005	2	WASHER 5	5.5*12*0.8		
48		131045-28230	2	COLLAR			
49		V354-000010	1	COLLAR,6			
50		131314-06320	1	VALVE, CHECK			
51		P021-005591	1	CAP ASY			
52	+	900720-00018	1	O-RING 18	P-18		
53	+	A365-000050	1	CONNECTOR,CAP			
54	+	436012-37830	1	GASKET, CIRCULAR			
56		X502-000600	1	LABEL,ECHO	48MM*15MM + ECHO		

2. Main Pipe, Guide Bar & Chain, Harness

EU PAS PP 2.Main Pipe,Guide Bar & Chain, Harness



KEY	LV	PART NUMBER	Q'TY	DESCRIPTION	REMARKS	NOTE1	NOTE2
1		610206-24561	1	PIPE, MAIN			
2	+	610217-24560	1	LINER, FLEXBLE			
3	+	900038-00100	2	WASHER, EXTERNAL			
4	+	351012-21560	1	GRIP, HANDLE			
5	+	890160-22661	1	LABEL, CAUTION	PVC FILM		
6		610013-24561	1	SHAFT, FLEXIBLE			
7		C062-000100	1	HARNESS, SHOULDER			
8		X221-000030	1	CHAIN, SAW	M91VX39CQ		
9		X121-000060	1	BAR, GUIDE 25	10A0CD3739		
10		X490-000060	1	SCABBARD, CHAIN			

Index

Patrs Number	Key No.	Patrs Number	Key No.	Patrs Number	Key No.
125327-15130	1 - 15	V253-000240	1 - 30		
130110-12330	1 - 24	V253-000240	1 - 46		
131045-28230	1 - 48	V307-000160	1 - 11		
131314-06320	1 - 50	V354-000010	1 - 49		
132115-01461	1 - 25	V355-000140	1 - 4		
175014-39131	1 - 13	V470-000180	1 - 22		
351012-21560	2 - 4	V583-000090	1 - 10		
433019-03933	1 - 3	V651-000201	1 - 43		
436012-37830	1 - 54	V651-000210	1 - 41		
436205-02832	1 - 26	V651-000310	1 - 8		
437029-37330	1 - 17	V651-000320	1 - 9		
437063-38330	1 - 28	X121-000060	2 - 9		
437244-39130	1 - 23	X221-000030	2 - 8		
610013-24561	2 - 6	X490-000060	2 - 10		
610206-24561	2 - 1	X502-000600	1 - 56		
610217-24560	2 - 2				
890160-22661	2 - 5				
900038-00100	2 - 3				
900603-00005	1 - 47				
900706-00012	1 - 38				
900720-00018	1 - 52				
94052-06001	1 - 39				
A365-000050	1 - 53				
C022-000010	1 - 14				
C062-000100	2 - 7				
C200-000080	1 - 44				
C300-000360	1 - 1				
C300-000361	1 - 1				
C309-000030	1 - 7				
C531-000030	1 - 29				
C531-000430	1 - 31				
C534-000430	1 - 42				
C580-000070	1 - 12				
C649-000140	1 - 33				
P021-005591	1 - 51				
P021-015340	1 - 55				
P022-010640	1 - 21				
P022-010650	1 - 20				
P022-010660	1 - 19				
P022-010670	1 - 16				
P022-010680	1 - 18				
V203-000041	1 - 6				
V224-000040	1 - 32				
V252-000040	1 - 5				
V253-000180	1 - 2				
V253-000200	1 - 27				
V253-000200	1 - 34				
V253-000200	1 - 35				
V253-000230	1 - 45				

YAMABIKO CORPORATION

7-2 SUEHIROCHO 1-CHOME, OHME, TOKYO 198-8760, JAPAN
PHONE: 81-428-32-6118. FAX: 81-428-32-6145.



832)
No. 36-001