

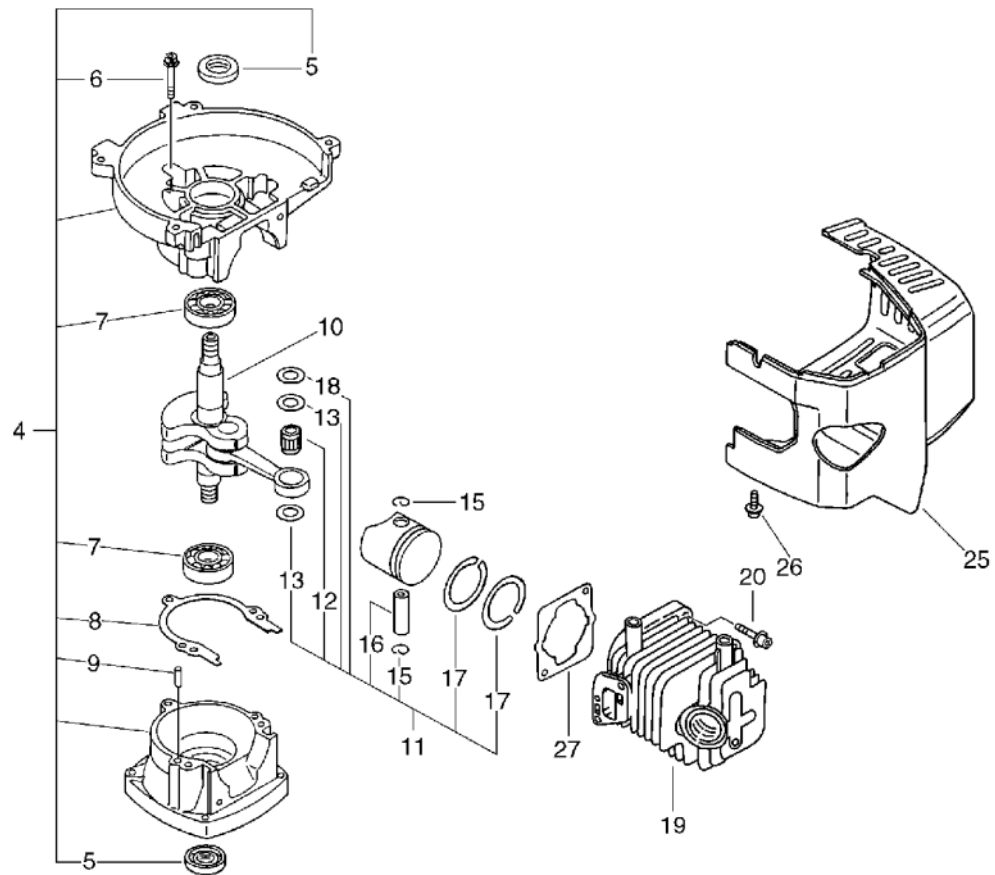


PARTS CATALOGUE

HEDGE TRIMMER HCR-1500SI(35)(36)

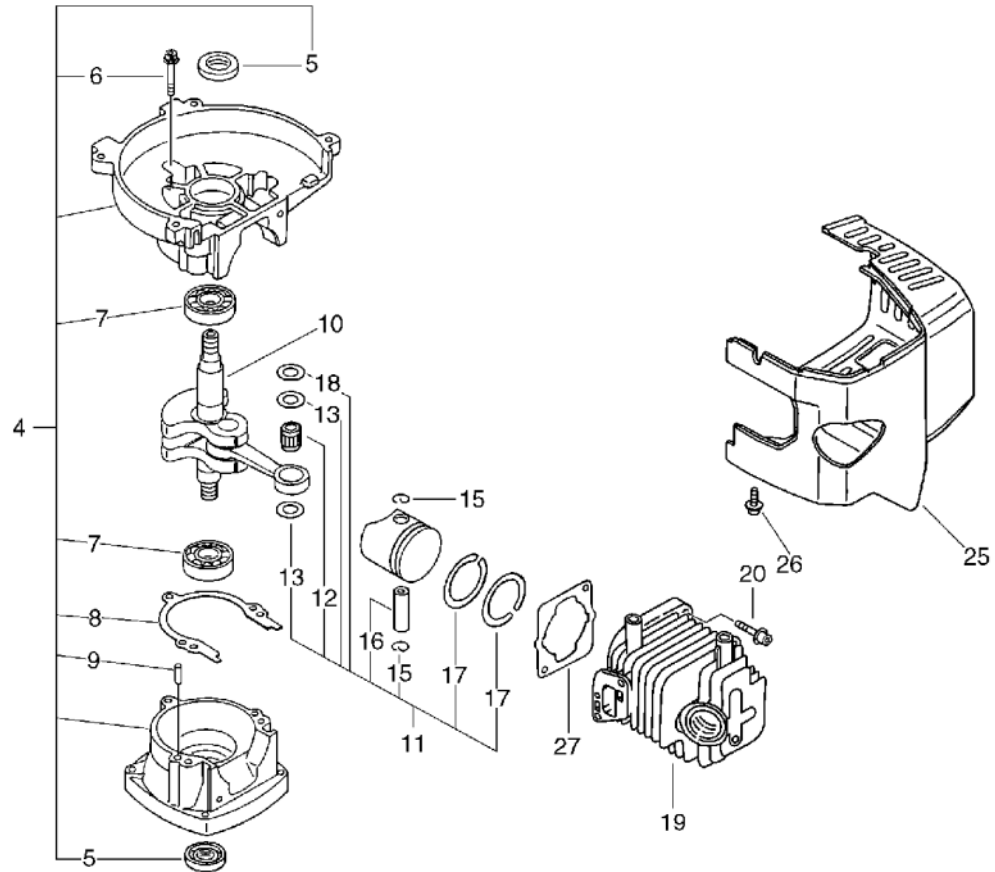
HCR-1500SI(35)(36)

1. Cylinder, Crankcase, Piston(Sr/Nr 36006680 and before)



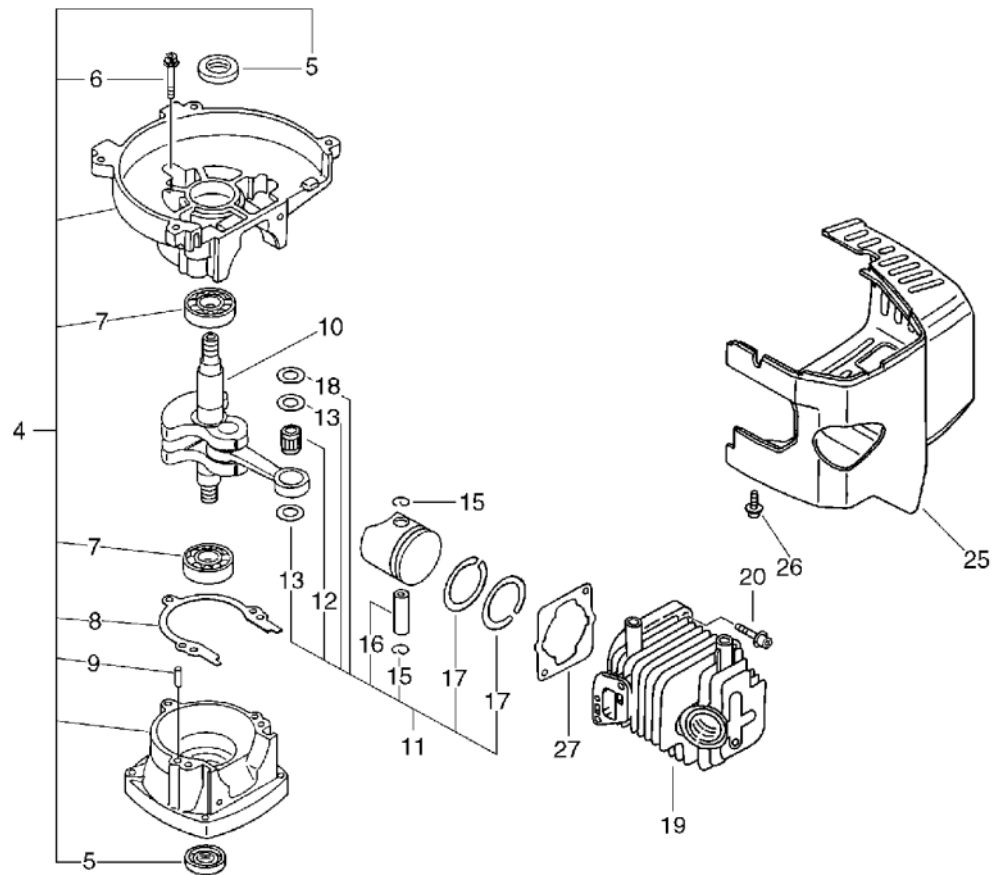
KEY	LV	PART NUMBER	Q'TY	DESCRIPTION	REMARKS	NOTE1	NOTE2
4		100204-05361	1	CRANKCASE KIT			
5	+	100212-42031	2	OILSEAL	ISCD 12*22*4.5		
6	+	900162-05028	3	BOLT, H.S. 5*28	5*28 W,SW		
7	+	94035-36201	2	BEARING BALL	6201X3JR2C3		
8	+	100242-42030	1	GASKET, CRANKCASE			
9	+	100215-03930	2	PIN, DOWEL			
10		100100-06561	1	CRANKSHAFT		Sus. by 100100-06564	
10		100100-06562	1	CRANKSHAFT		Sus. by 100100-06564	
10		100100-06563	1	CRANKSHAFT		Sus. by 100100-06564	
10		100100-06564	1	CRANKSHAFT			
11		P021-001111	1	PISTON KIT		Sr/Nr 35003900 and before	
11		P021-001112	1	PISTON KIT		Sus. by P021-001113	
11		P021-001113	1	PISTON KIT		Sr/Nr 36001001 and after	
12	+	100113-05930	1	BEARING, NEEDLE	8*12*8		
13	+	100014-08960	2	SPACER, PISTON PIN			
15	+	100015-04630	2	CIRCLIP, PISTON PIN			
16	+	100013-11520	1	PIN, PISTON			
17	+	A101-000000	2	RING,PISTON			

1. Cylinder, Crankcase, Piston(Sr/Nr 36006680 and before)



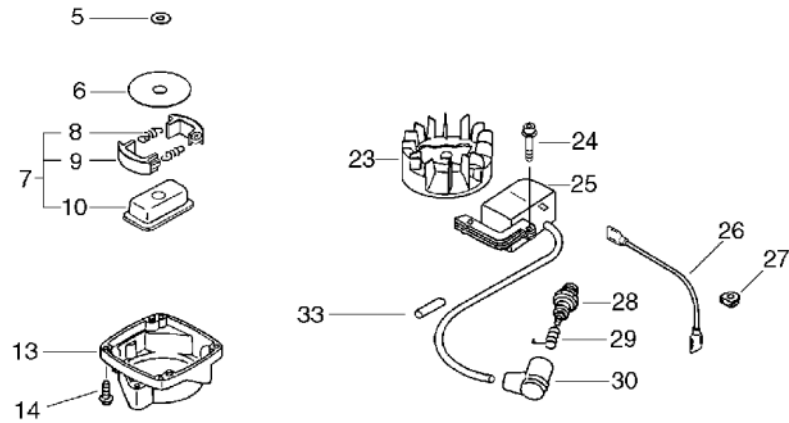
KEY	LV	PART NUMBER	Q'TY	DESCRIPTION	REMARKS	NOTE1	NOTE2
18	+	V306-00015	1	WASHER, CIRCULAR 8		Sr/Nr 36001001 and after	
19		101011-06562	1	CYLINDER			
20		900162-05022	2	BOLT, H.S. 5*22	5*22 W,SW		
25		101506-06560	1	COVER, CYLINDER		Sus. by 101506- 06561	
25		101506-06561	1	COVER, CYLINDER		Sr/Nr 36006680 and before	
26		900162-04020	2	BOLT, H.S. 4*20	4*20 W,SW		
27		101010-44332	1	GASKET, CYL. BASE			

2. Cylinder, Crankcase, Piston(Sr/Nr 36006681 and after)



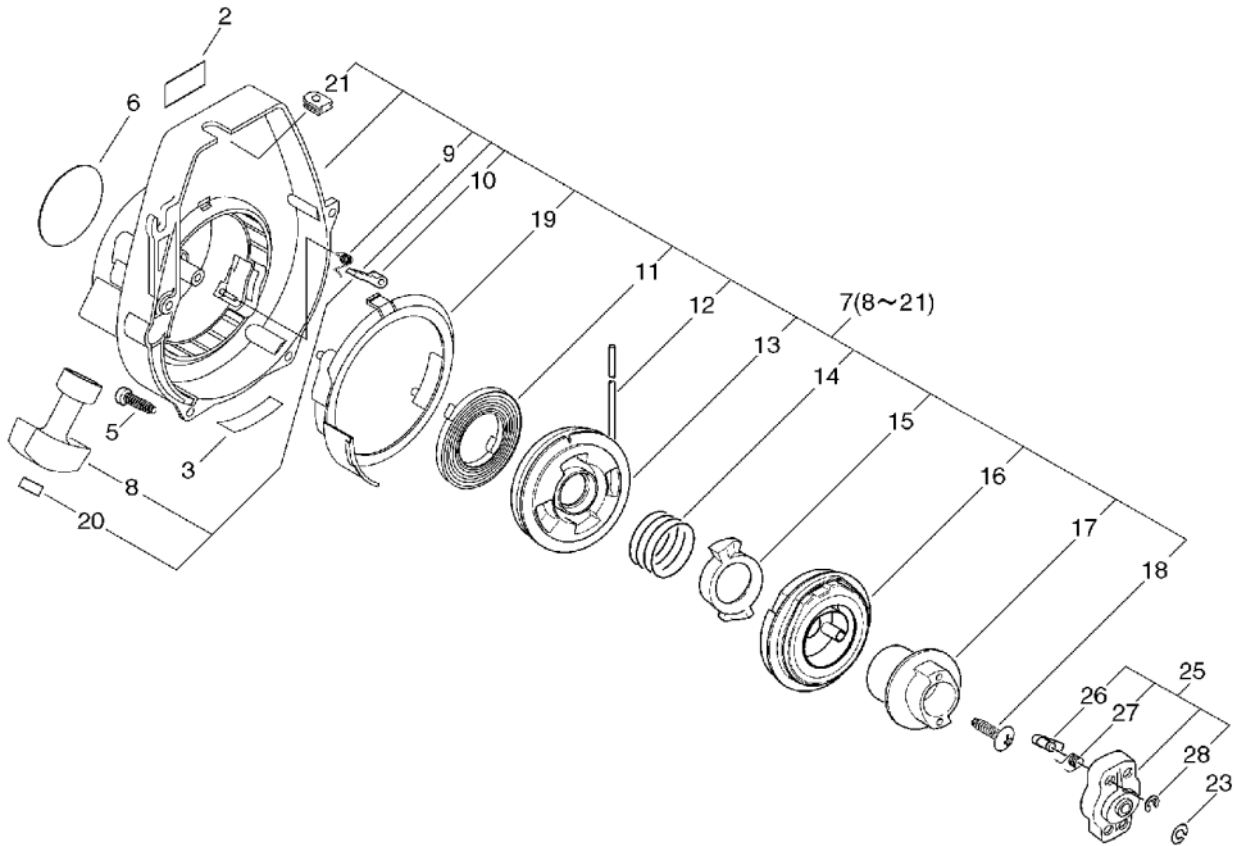
KEY	LV	PART NUMBER	Q'TY	DESCRIPTION	REMARKS	NOTE1	NOTE2
4		100204-05361	1	CRANKCASE KIT			
5	+	100212-42031	2	OILSEAL	ISCD 12*22*4.5		
6	+	900162-05028	3	BOLT, H.S. 5*28	5*28 W,SW		
7	+	94035-36201	2	BEARING BALL	6201X3JR2C3		
8	+	100242-42030	1	GASKET, CRANKCASE			
9	+	100215-03930	2	PIN, DOWEL			
10		100100-06564	1	CRANKSHAFT			
11		P021-001113	1	PISTON KIT			
12	+	100113-05930	1	BEARING, NEEDLE	8*12*8		
13	+	100014-08960	2	SPACER, PISTON PIN			
15	+	100015-04630	2	CIRCLIP, PISTON PIN			
16	+	100013-11520	1	PIN, PISTON			
17	+	A101-000000	2	RING,PISTON			
18	+	V306-000150	1	WASHER,CIRCULAR 8	8.2*13*0.8		
19		101011-06562	1	CYLINDER			
20		900162-05022	2	BOLT, H.S. 5*22	5*22 W,SW		
25		101506-05361	1	COVER, CYLINDER			
26		900162-04020	2	BOLT, H.S. 4*20	4*20 W,SW		
27		101010-44332	1	GASKET, CYL. BASE			

3. Magneto, Clutch



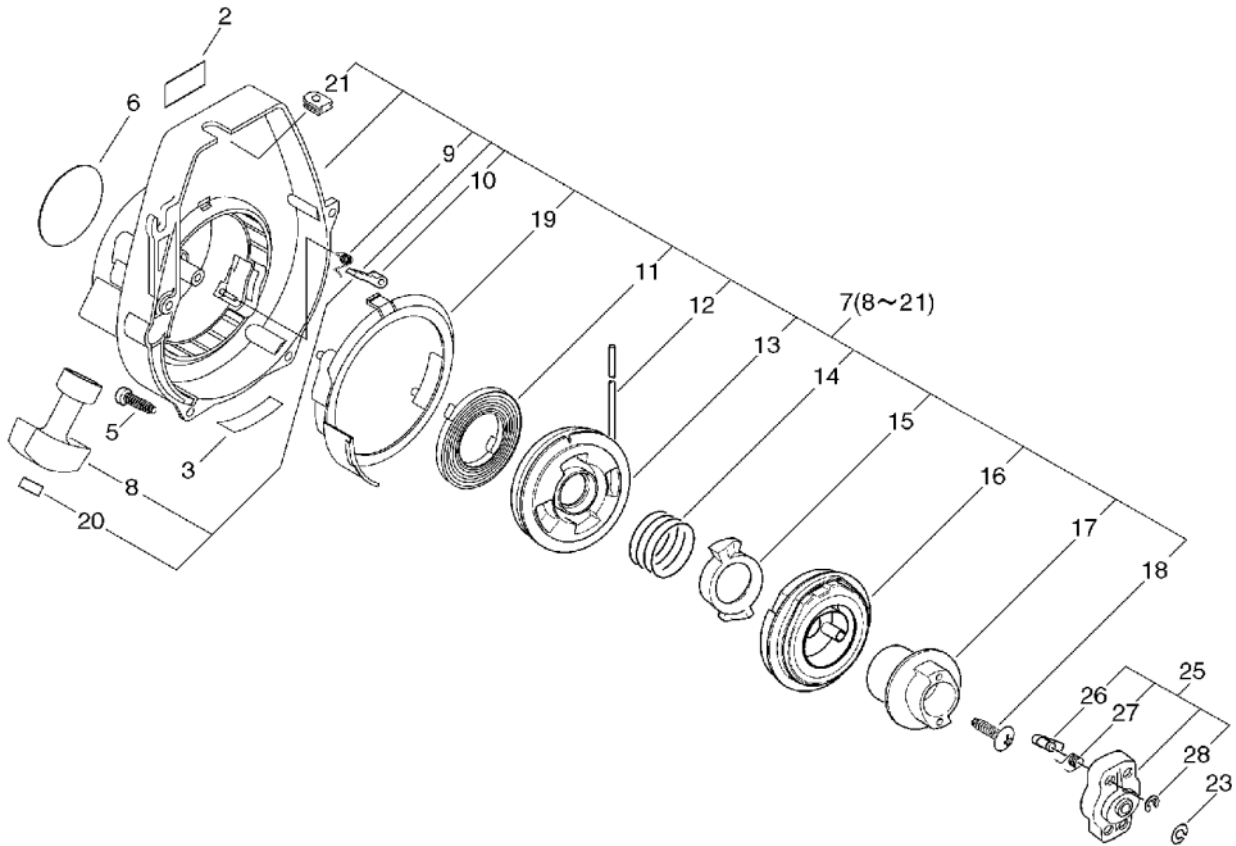
KEY	LV	PART NUMBER	Q'TY	DESCRIPTION	REMARKS	NOTE1	NOTE2
5		175014-05360	1	WASHER, CLUTCH	8.2*19*3.2		
6		175019-04920	1	PLATE, CLUTCH			
7		175000-06560	1	CLUTCH ASSY			
8	+	175018-05960	2	SPRING, CLUTCH			
9	+	175009-05131	2	SHOE, CLUTCH			
10	+	175016-04920	1	HUB, CLUTCH			
13		175055-05360	1	HOUSING, CLUTCH			
14		900162-04016	2	BOLT, H.S. 4*16	4*16 W,SW		
23		156801-05360	1	ROTOR, MAGNETO			
24		900162-04022	2	BOLT, H.S. 4*22	4*22 W,SW		
25		A411-000080	1	COIL,IGNITION			
26		162021-52830	1	LEAD	275L		
27		156114-04920	1	GROMMET			
28		159017-12330	1	PLUG, SPARK (RCJ-8Y)	RCJ-8Y		
29		159011-03432	1	COIL, SPARK PLUG			
30		159012-03433	1	CAP, SPARK PLUG			
33		V475-001900	1	TUBE	7*8.6*30		

4. Starter(Sr/Nr 36006680 and before)



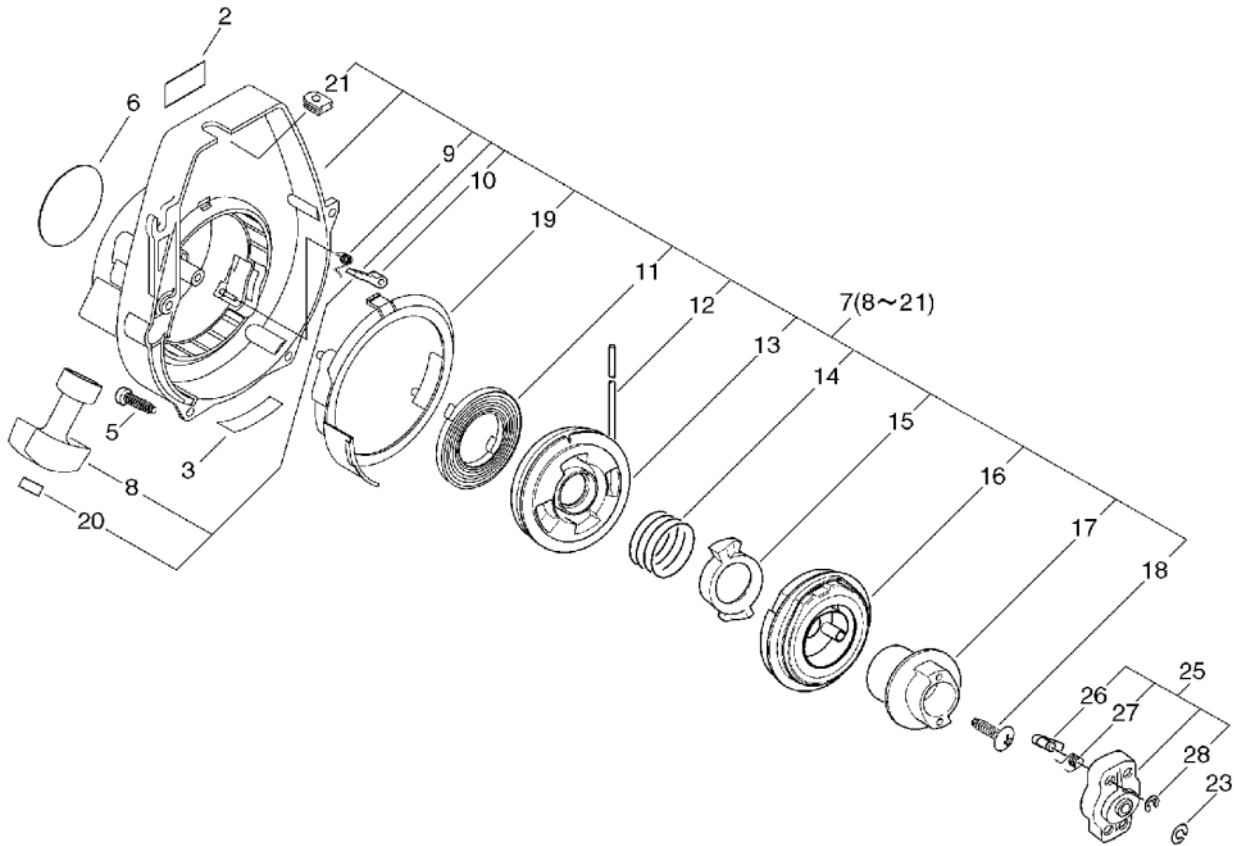
KEY	LV	PART NUMBER	Q'TY	DESCRIPTION	REMARKS	NOTE1	NOTE2
2		X503-004490	1	LABEL,MODEL	HCR-1500SI	Sus. by 890617-07660	
2		890617-07660	1	LABEL, CAUTION		Sus. by X503-008870	
3		890123-13360	1	LABEL, CAUTION			
5		900162-04016	4	BOLT, H.S. 4*16	4*16 W,SW		
6		X502-000032	1	LABEL,ECHO		Sus. by X547-000230	
6		X547-000230	1	LABEL,ECHO	HCR-1500SI	Sus. by X502-000460	
7		A051-000600	1	STARTER,RECOIL		Sus. by P021-006100	
7		P021-006100	1	STARTER,RECOIL SET		Sr/Nr 36006680 and before	
8	+	177228-27030	1	GRIP, STARTER			
9	+	P022-004610	2	SPRING, RETURN			
10	+	P022-004620	2	PAWL, STARTER			
11	+	P022-004680	1	SPRING, SPIRAL			
12	+	P022-004600	1	ROPE,STARTER	3.0*920		
13	+	P022-004690	1	REEL,ROPE			
14	+	P022-004660	1	SPRING, RETURN			
15	+	P022-004670	1	PAWL, STARTER			
16	+	P022-004700	1	COMPLETE,SPRING			
17	+	P022-004640	1	PLATE,CAM			
18	+	P022-004630	1	SCREW			
19	+	P022-006500	1	COVER,DUST			

4. Starter(Sr/Nr 36006680 and before)



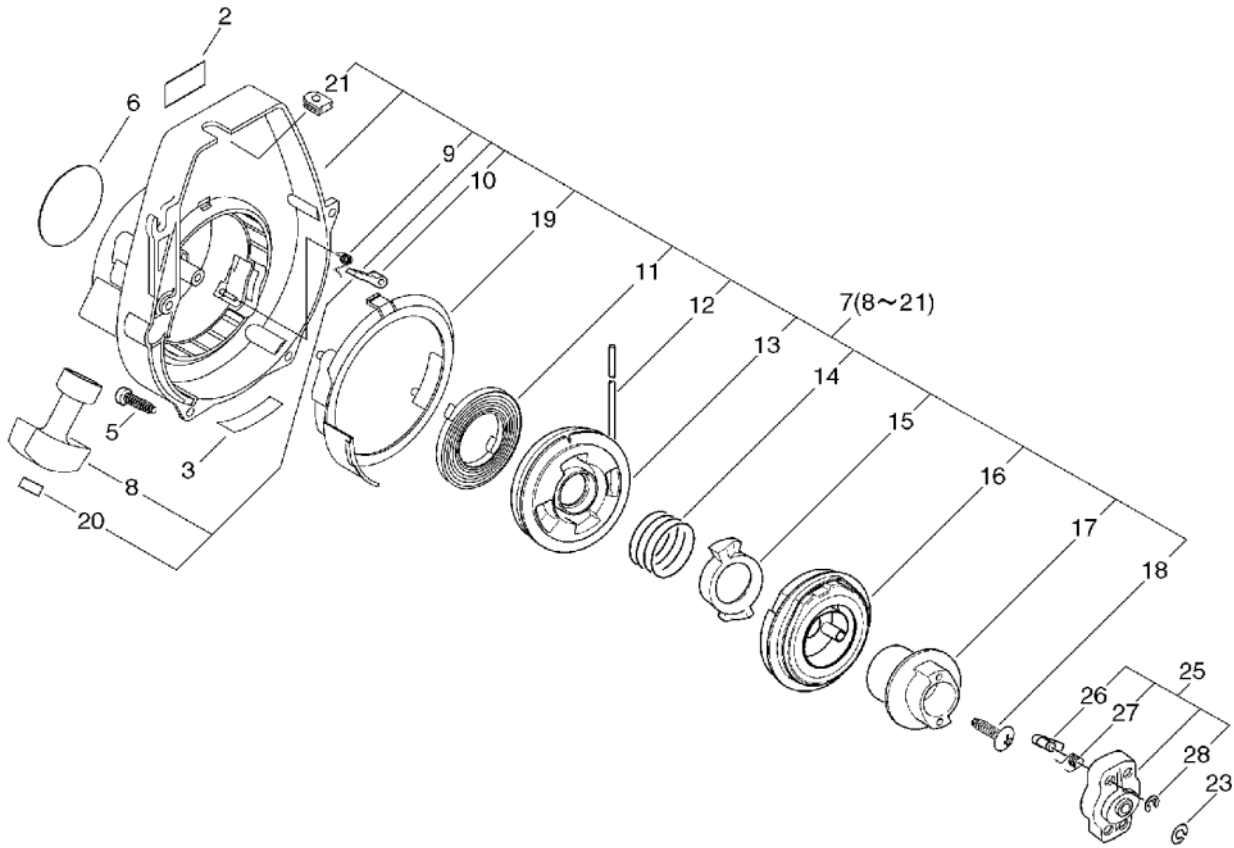
KEY	LV	PART NUMBER	Q'TY	DESCRIPTION	REMARKS	NOTE1	NOTE2
20	+	177246-11120	1	CLIP, STARTER ROPE			
21		V135-000000	1	GROMMET,HT CORD			
21	+	156110-04920	1	BUSHING		Can be used on P021-006100 only	
23		900605-00008	1	WASHER, SPRING 8	8		
25		A052-000150	1	PULLEY,ASM STARTER			
26	+	P022-004740	2	PAWL,STARTER			
27	+	P022-006510	2	SPRING, RETURN			
28	+	P022-002100	2	E-RING	4		

5. Starter(Sr/Nr 36006681 and after)



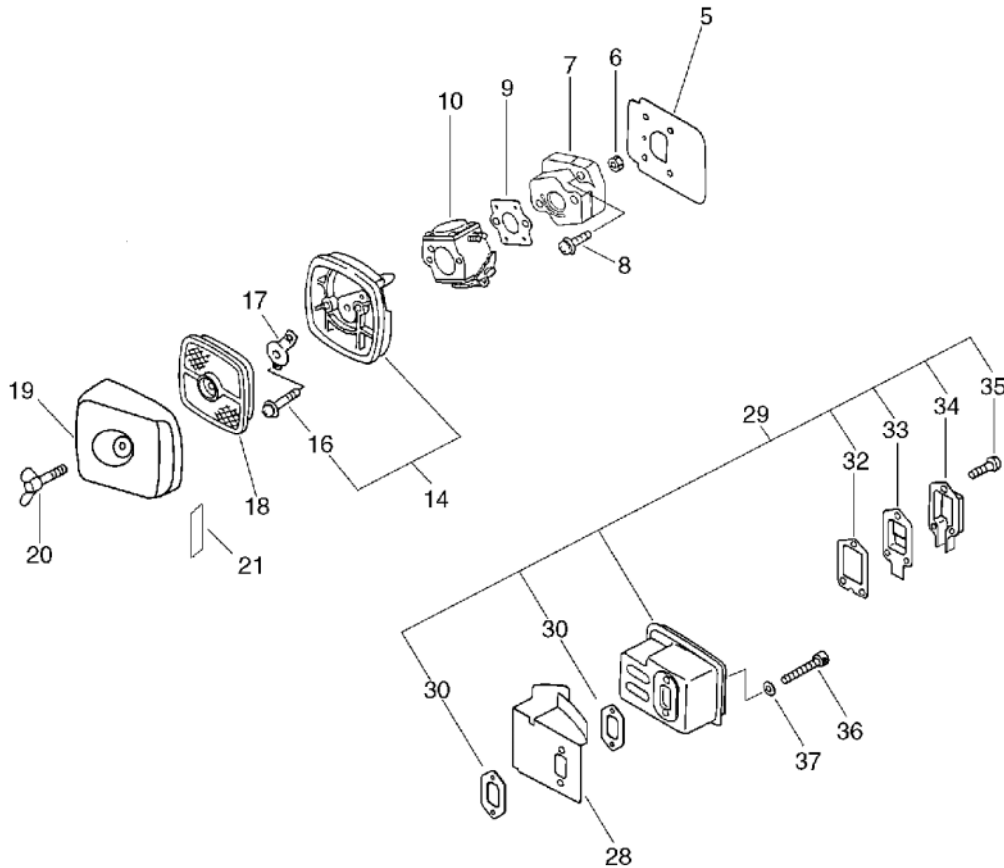
KEY	LV	PART NUMBER	Q'TY	DESCRIPTION	REMARKS	NOTE1	NOTE2
2		890617-07660	1	LABEL, CAUTION		Sus. by X503-008870	
2		X503-008870	1	LABEL, MODEL	HCR-1500SI		
3		890123-13360	1	LABEL, CAUTION			
5		900162-04016	4	BOLT, H.S. 4*16	4*16 W,SW		
6		X547-000230	1	LABEL, ECHO	HCR-1500SI	Sus. by X502-000460	
6		X502-000460	1	LABEL, ECHO			
7		P021-011040	1	STARTER, RECOIL SET			
8	+	177228-27030	1	GRIP, STARTER			
9	+	P022-004610	2	SPRING, RETURN			
10	+	P022-004620	2	PAWL, STARTER			
11	+	P022-004680	1	SPRING, SPIRAL			
12	+	P022-004600	1	ROPE, STARTER	3.0*920		
13	+	P022-004690	1	REEL, ROPE			
14	+	P022-004660	1	SPRING, RETURN			
15	+	P022-004670	1	PAWL, STARTER			
16	+	P022-004700	1	COMPLETE, SPRING			
17	+	P022-004640	1	PLATE, CAM			
18	+	P022-004630	1	SCREW			
19	+	P022-006500	1	COVER, DUST			
20	+	177246-11120	1	CLIP, STARTER ROPE			
21	+	156110-04920	1	BUSHING			
23		900605-00008	1	WASHER, SPRING 8	8		
25		A052-000150	1	PULLEY, ASM STARTER			
26	+	P022-004740	2	PAWL, STARTER			

5. Starter(Sr/Nr 36006681 and after)



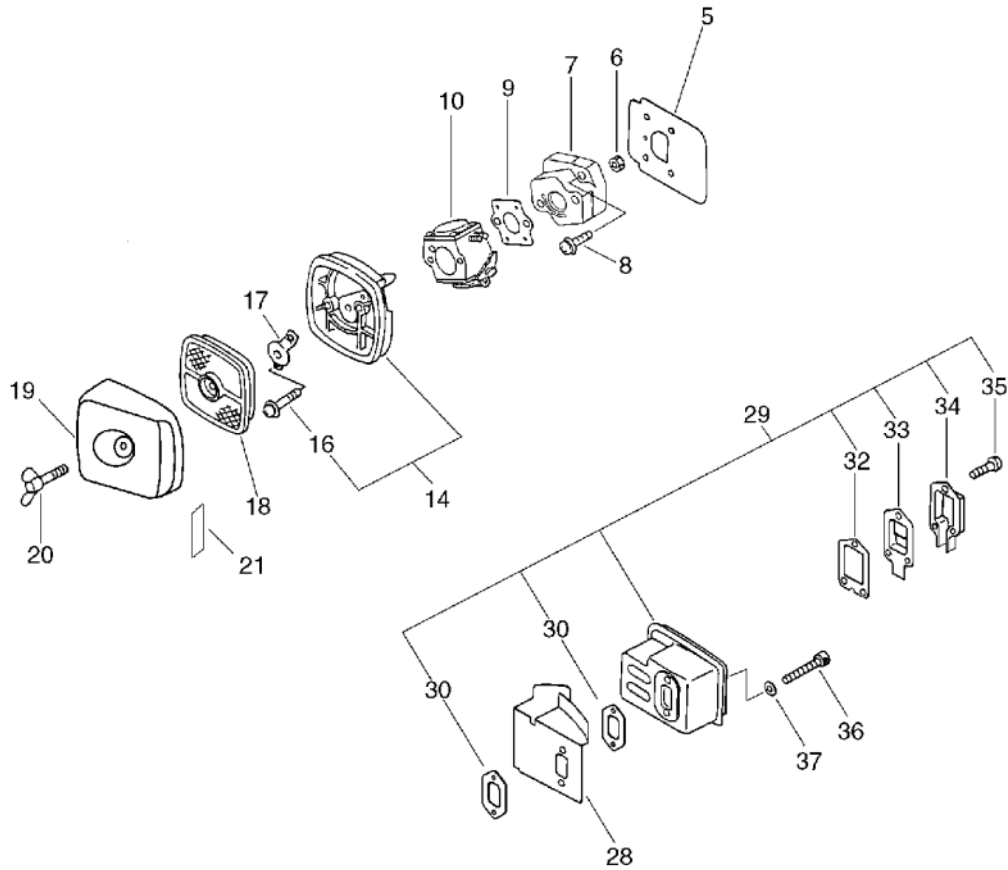
KEY	LV	PART NUMBER	Q'TY	DESCRIPTION	REMARKS	NOTE1	NOTE2
27	+	P022-006510	2	SPRING, RETURN			
28	+	P022-002100	2	E-RING	4		

6. Air Cleaner, Muffler(Sr/Nr 36006680 and before)



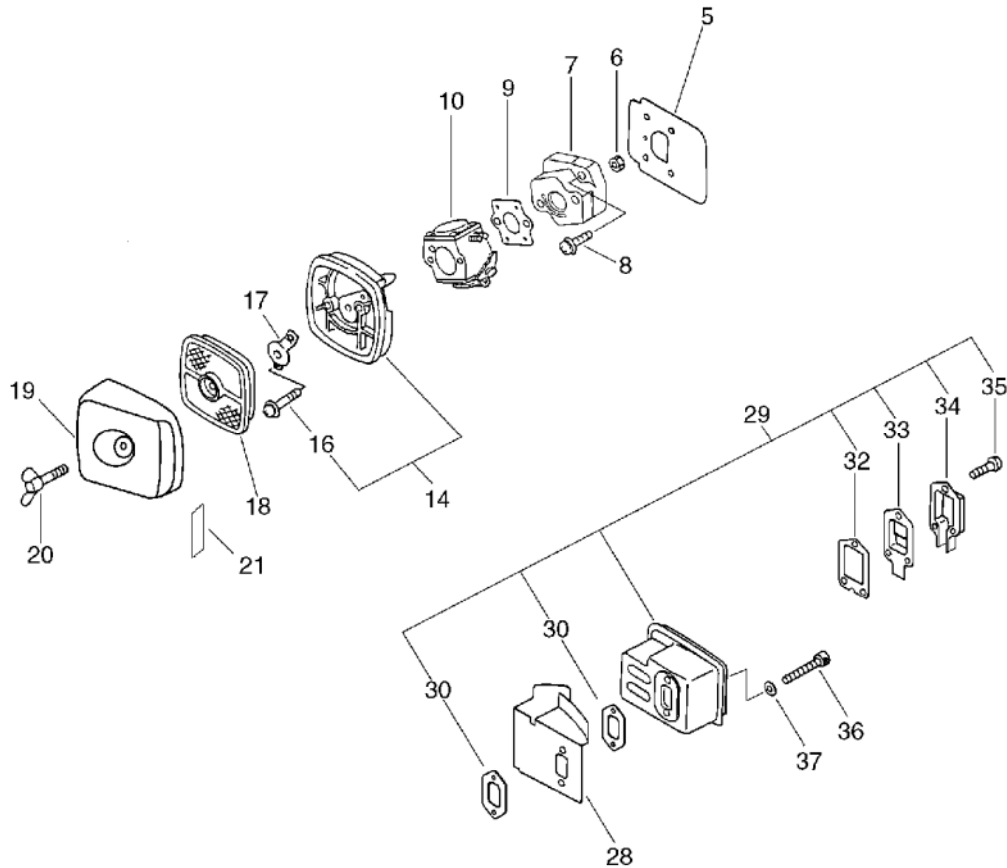
KEY	LV	PART NUMBER	Q'TY	DESCRIPTION	REMARKS	NOTE1	NOTE2
5		130010-42032	1	GASKET,INTAKE			
6		900500-00005	2	NUT 5	5		
7		130017-42031	1	INSULATOR, INTAKE			
8		900238-05020	2	SCREW 5*20	5*20		
9		130016-42031	1	GASKET, INTAKE			
10		125200-05962	1	CARBURETOR	C1U-K51	Sus. by 125200-05964	
10		125200-05963	1	CARBURETOR C1U-K51	C1U-K51	Sus. by 125200-05964	
10		125200-05964	1	CARBURETOR	C1U-K51		
14		P021-002921	1	CASE, AIR CLEANER		Sus. by 130300-06961	
16	+	900242-05065	2	SCREW 5*65	5*65		
17		129011-52730	1	PLATE, PREVENT			
18		130310-54130	1	FILTER, AIR			
19		130313-06563	1	LID, AIR CLEANER		Sr/Nr 36006680 and before	
20		210417-52730	1	BOLT, WING	5*20		
21		890121-05360	1	LABEL, METERING			
28		145871-05360	1	COVER, MUFFLER			
29		145802-05360	1	MUFFLER ASSY		Sus. by 145802-05361	
29		145802-05361	1	MUFFLER ASY (SAM)			
30	+	V104-000160	2	GASKET,EXHAUST			
32	+	145866-42031	1	GASKET, MUFFLER LID			
33	+	145876-42030	1	LID, MUFFLER (B)			

6. Air Cleaner, Muffler(Sr/Nr 36006680 and before)



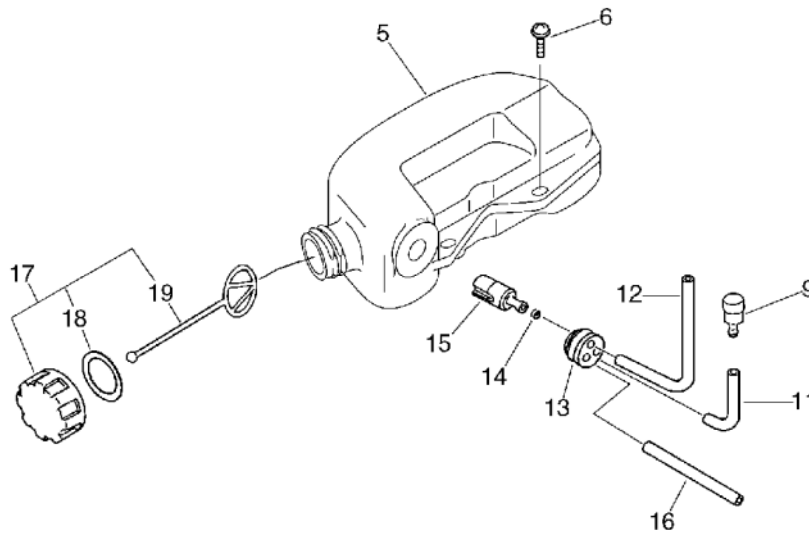
KEY	LV	PART NUMBER	Q'TY	DESCRIPTION	REMARKS	NOTE1	NOTE2
34	+	145863-06560	1	GUIDE, EXHAUST		Sus. by A313-000010	
34	+	A313-000010	1	GUIDE,EXH	ID#4000		
35	+	900242-04010	3	SCREW 4*10	4*10		
36		900105-05050	2	BOLT, H.S. 5*50	5*50		
37		900600-00005	2	WASHER 5	5		

7. Air Cleaner, Muffler(Sr/Nr 36006681 and after)



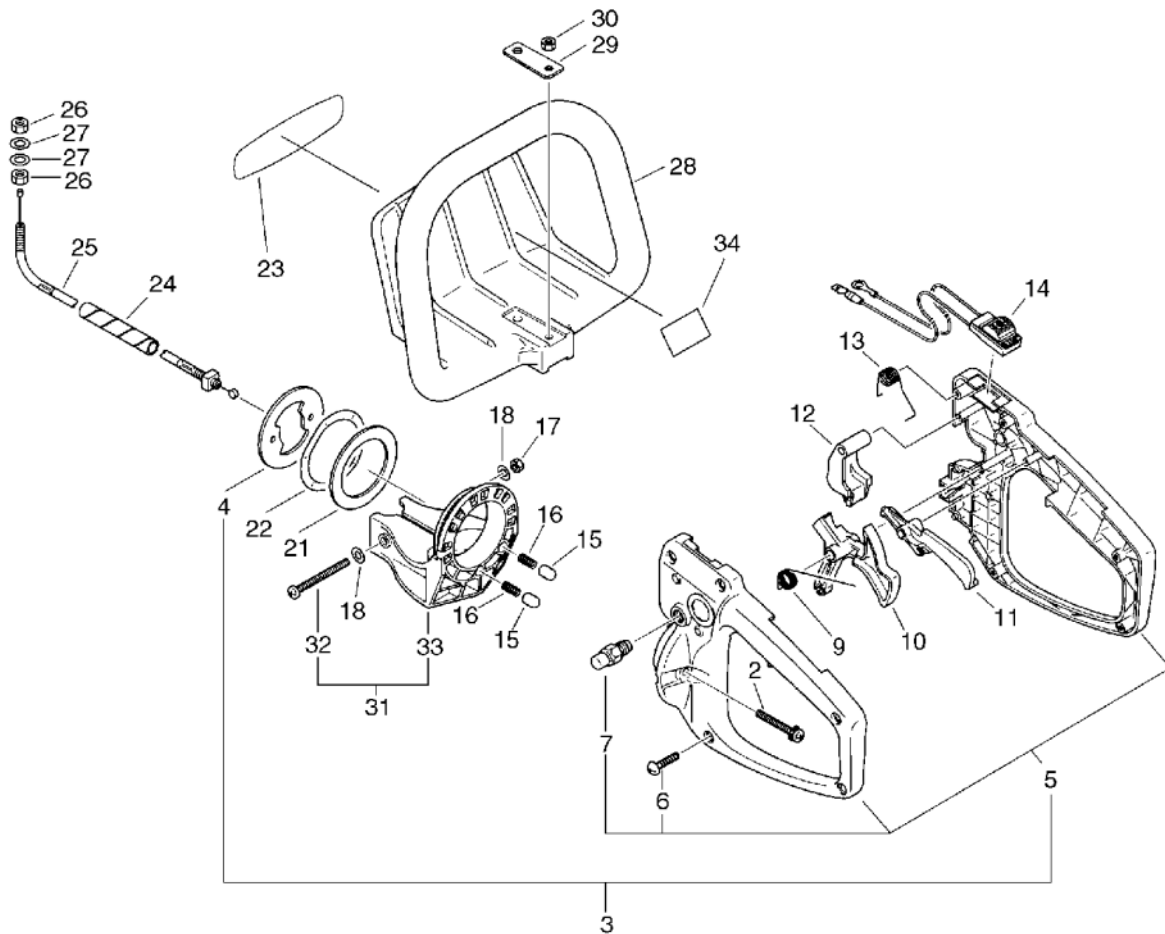
KEY	LV	PART NUMBER	Q'TY	DESCRIPTION	REMARKS	NOTE1	NOTE2
5		130010-42032	1	GASKET,INTAKE			
6		900500-00005	2	NUT 5	5		
7		130017-42031	1	INSULATOR, INTAKE			
8		900238-05020	2	SCREW 5*20	5*20		
9		130016-42031	1	GASKET, INTAKE			
10		125200-05964	1	CARBURETOR	C1U-K51		
14		130300-06961	1	CLEANER ASY, AIR			
16	+	900242-05065	2	SCREW 5*65	5*65		
17		129011-52730	1	PLATE, PREVENT			
18		130310-54130	1	FILTER, AIR			
19		130313-05863	1	LID, AIR CLEANER			
20		210417-52730	1	BOLT, WING	5*20		
21		890121-05360	1	LABEL, METERING			
28		145871-05360	1	COVER, MUFFLER			
29		145802-05361	1	MUFFLER ASY (SAM)			
30	+	V104-000160	2	GASKET,EXHAUST			
32	+	145866-42031	1	GASKET, MUFFLER LID			
33	+	145876-42030	1	LID, MUFFLER (B)			
34	+	A313-000010	1	GUIDE,EXH	ID#4000		
35	+	900242-04010	3	SCREW 4*10	4*10		
36		900105-05050	2	BOLT, H.S. 5*50	5*50		
37		900600-00005	2	WASHER 5	5		

8. Fuel Tank



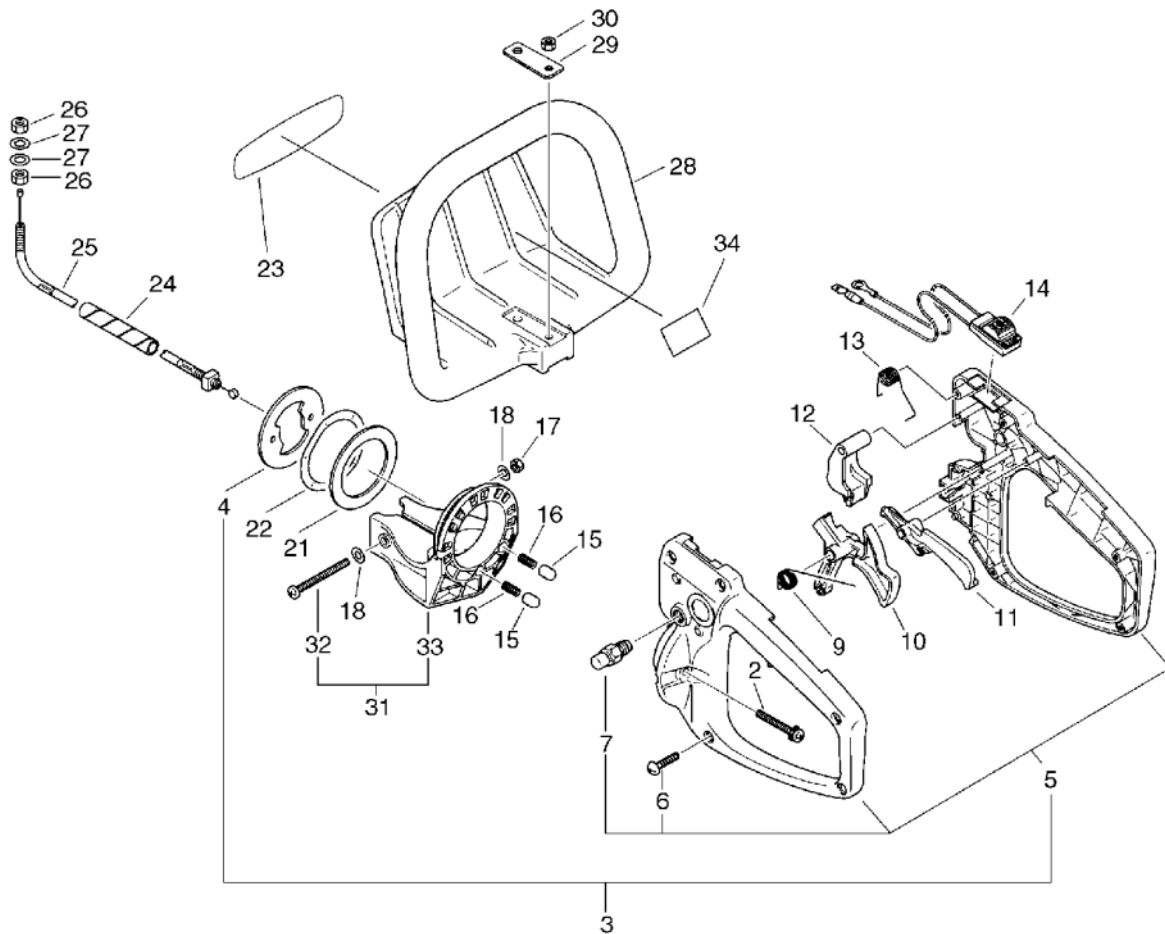
KEY	LV	PART NUMBER	Q'TY	DESCRIPTION	REMARKS	NOTE1	NOTE2
5		131005-05361	1	TANK, FUEL		Sus. by A350-000272	
5		A350-000270	1	TANK,FUEL		Sus. by A350-000272	
5		A350-000271	1	TANK,FUEL		Sus. by A350-000272	
5		A350-000272	1	TANK,FUEL			
6		900239-05016	2	SCREW 5*16	5*16		
9		131300-56430	1	VALVE, CHECK			
11		131312-39130	1	PIPE	3*5*70(+3)NBR	Sus. by 131312-44330	
11		131312-44330	1	PIPE, 3*5*70L	3*5*70L NBR		
12		132010-07530	1	PIPE, FUEL	3*5*195L	Sus. by V470-000580	
12		V470-000580	1	PIPE	3*5*195		
13		132115-46730	1	GROMMET, FUEL			
14		132013-09820	1	CLIP	6MM		
15		131205-07320	1	STRAINER, FUEL			
16		132010-06460	1	PIPE 3* 6*110	3*6*110 YL		
17		131004-08960	1	CAP ASSY, FUEL			
18	+	131016-55830	1	GASKET, FUEL CAP			
19	+	131051-52430	1	CONNECTOR, CAP	80L		

9. Handle(Sr/Nr 36006680 and before)



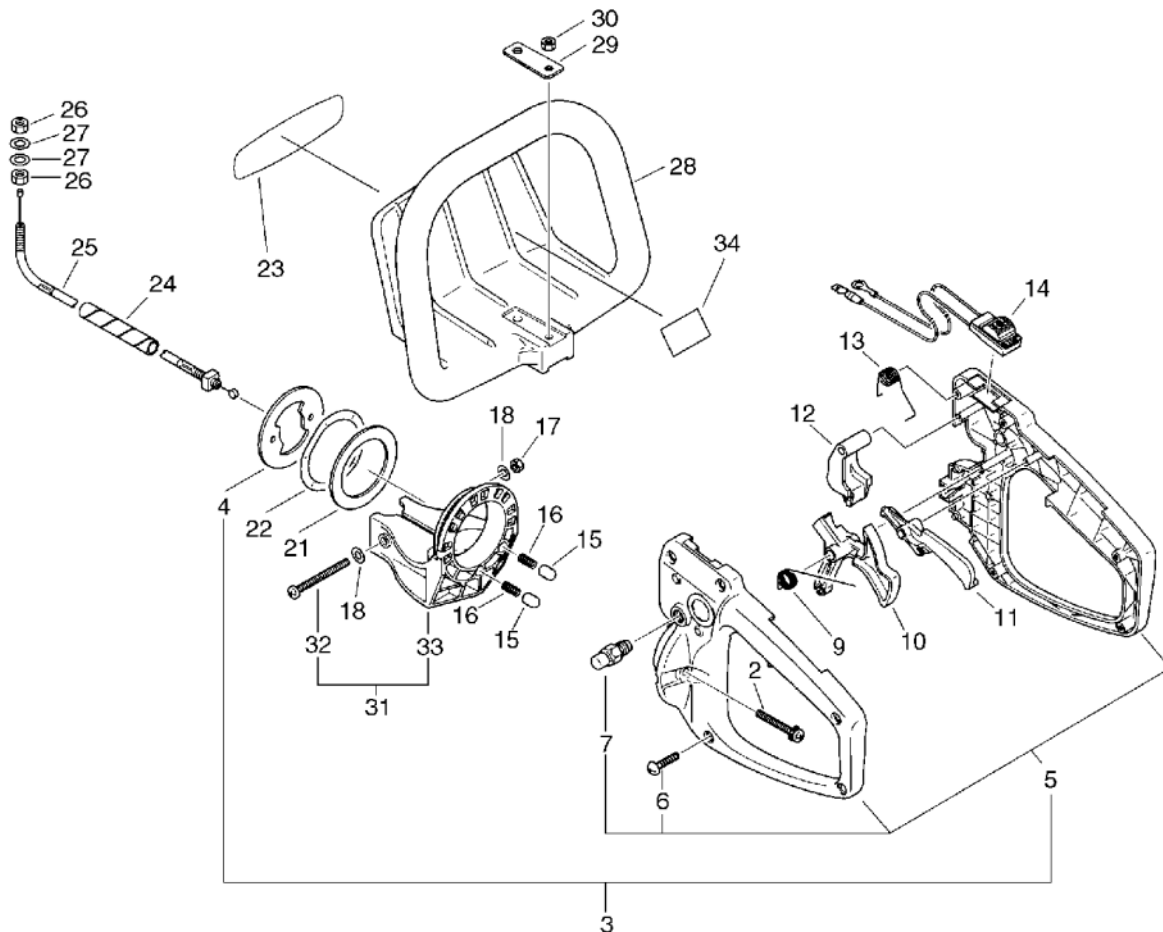
KEY	LV	PART NUMBER	Q'TY	DESCRIPTION	REMARKS	NOTE1	NOTE2
2		900238-05030	2	SCREW 5*30	5*30		
3		351101-13360	1	HANDLE SET, REAR			
4	+	351313-13361	1	BRACKET, HANDLE			
5	+	351100-13361	1	HANDLE SET, REAR			
6	++	900256-04016	5	SCREW 4*16	4*16		
7	++	178302-13360	1	LATCH ASY			
8		890157-39130	1	LABEL, SWITCH		Disuse	
9		178013-13660	1	SPRING, TORSION			
10		178010-13361	1	TRIGGER, THROTTLE			
11		178012-13360	1	LOCKOUT, THROTTLE			
12		351648-13360	1	STOPPER, HANDLE			
13		178043-13660	1	SPRING, TORSION			
14		163400-13360	1	SWITCH, ON OFF			
15		605611-13360	2	PIN			
16		178043-13360	2	SPRING			
17		900560-00005	2	NUT, LOCK 5	5		
18		900600-00005	4	WASHER 5	5		
21		689025-13361	1	WASHER, CIRCUAR			
22		178129-13361	1	WASHER			
23		X502-000260	1	LABEL, ECHO	100*26.9		Sr/Nr 36003931 and after Sus. by X502-000430
24		178127-13361	1	TUBE	8*11*50		
25		178001-13360	1	CABLE, THROTTLE			
26		900502-00006	2	NUT 6 (3N)	3N6		

9. Handle(Sr/Nr 36006680 and before)



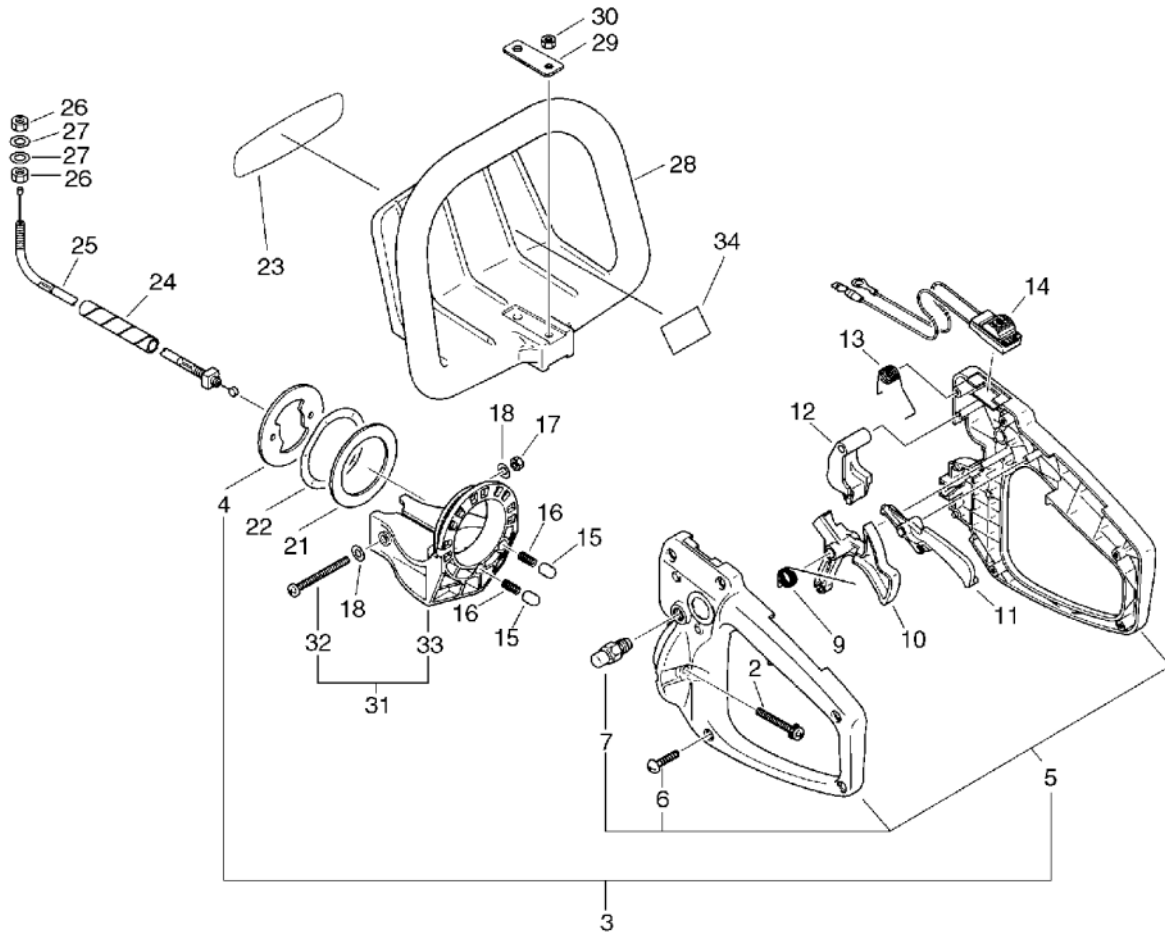
KEY	LV	PART NUMBER	Q'TY	DESCRIPTION	REMARKS	NOTE1	NOTE2
27		900600-00006	2	WASHER 6	6		
28		351610-05360	1	HANDLE, FRONT			
29		351611-05360	1	WASHER			
30		900560-00005	1	NUT, LOCK 5	5		
31		351308-13360	1	FIXTURE, HANDLE			
32	+	900220-05045	2	SCREW 5*45	5*45		
33	+	351312-13361	1	BRACKET, HANDLE			

10. Handle(Sr/Nr 36006681 and after)



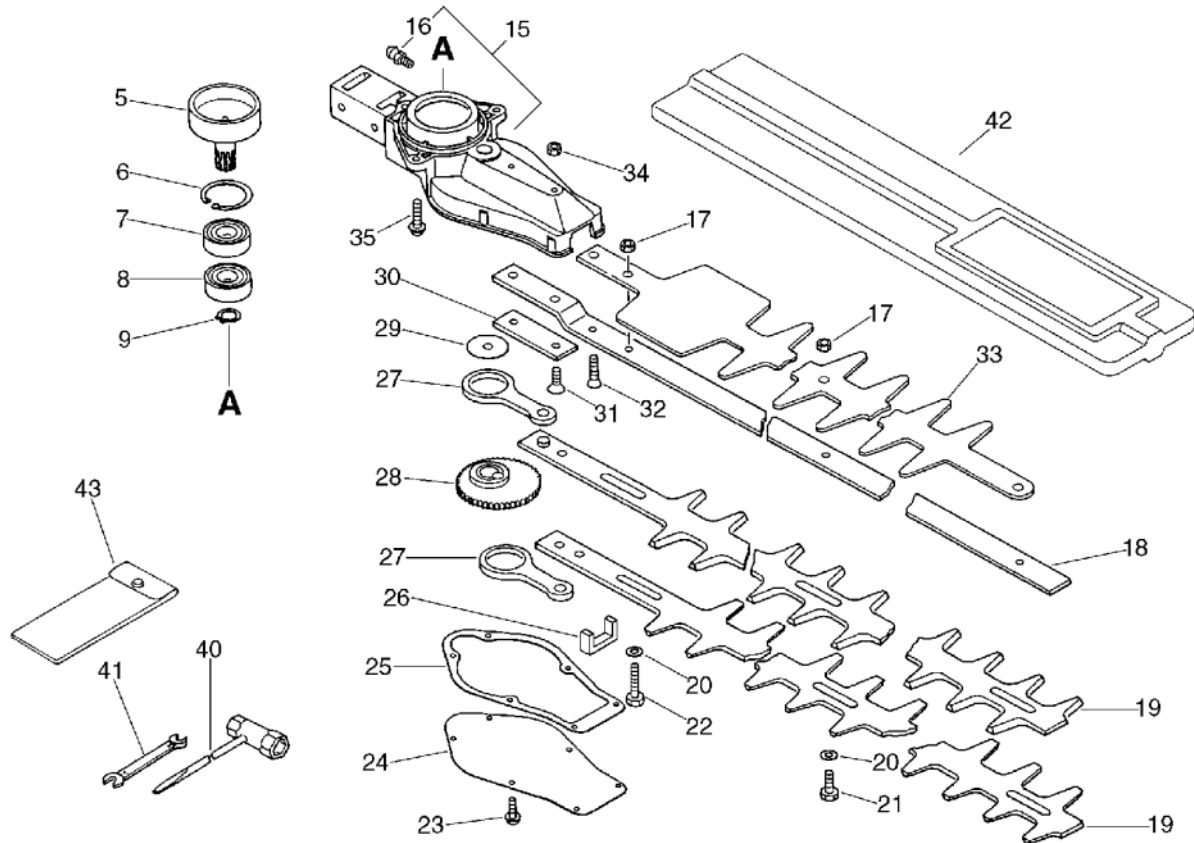
KEY	LV	PART NUMBER	Q'TY	DESCRIPTION	REMARKS	NOTE1	NOTE2
2		900238-05030	2	SCREW 5*30	5*30		
3		351101-13360	1	HANDLE SET, REAR			
4	+	351313-13361	1	BRACKET, HANDLE			
5	+	351100-13361	1	HANDLE SET, REAR			
6	++	900256-04016	5	SCREW 4*16	4*16		
7	++	178302-13360	1	LATCH ASY			
9		178013-13660	1	SPRING, TORSION			
10		178010-13361	1	TRIGGER, THROTTLE			
11		178012-13360	1	LOCKOUT, THROTTLE			
12		351648-13360	1	STOPPER, HANDLE			
13		178043-13660	1	SPRING, TORSION			
14		163400-13360	1	SWITCH, ON OFF			
15		605611-13360	2	PIN			
16		178043-13360	2	SPRING			
17		900560-00005	2	NUT, LOCK 5	5		
18		900600-00005	4	WASHER 5	5		
21		689025-13361	1	WASHER, CIRCULAR			
22		178129-13361	1	WASHER			
23		X502-000260	1	LABEL, ECHO	100*26.9	Sus. by X502-000430	
23		X502-000430	1	LABEL, ECHO			
24		178127-13361	1	TUBE	8*11*50		
25		178001-13360	1	CABLE, THROTTLE			
26		900502-00006	2	NUT 6 (3N)	3N6		
27		900600-00006	2	WASHER 6	6		
28		351610-05360	1	HANDLE, FRONT			

10. Handle(Sr/Nr 36006681 and after)



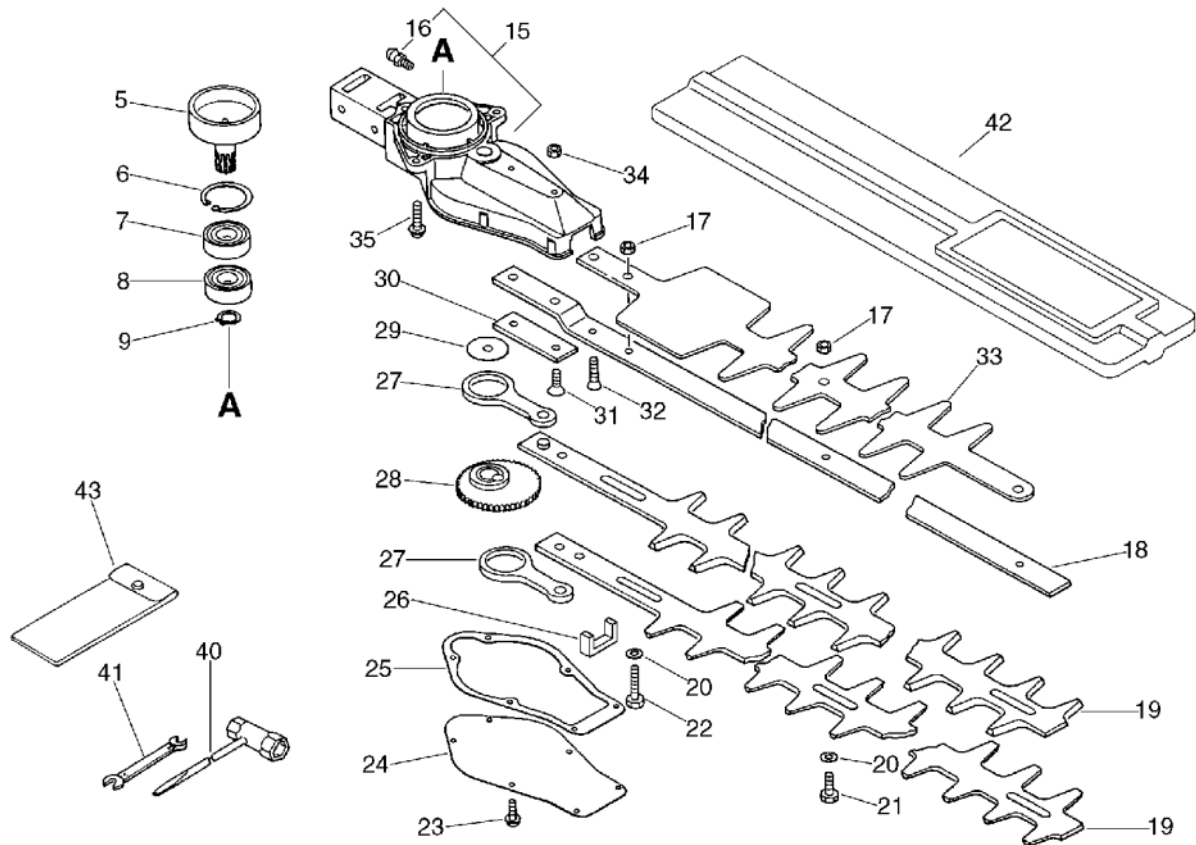
KEY	LV	PART NUMBER	Q'TY	DESCRIPTION	REMARKS	NOTE1	NOTE2
29		351611-05360	1	WASHER			
30		900560-00005	1	NUT, LOCK 5	5		
31		351308-13360	1	FIXTURE, HANDLE			
32	+	900220-05045	2	SCREW 5*45	5*45		
33	+	351312-13361	1	BRACKET, HANDLE			
34		X505-002030	1	LABEL, CAUTION	37*35		

11. Gear Case, Cutter, Tools



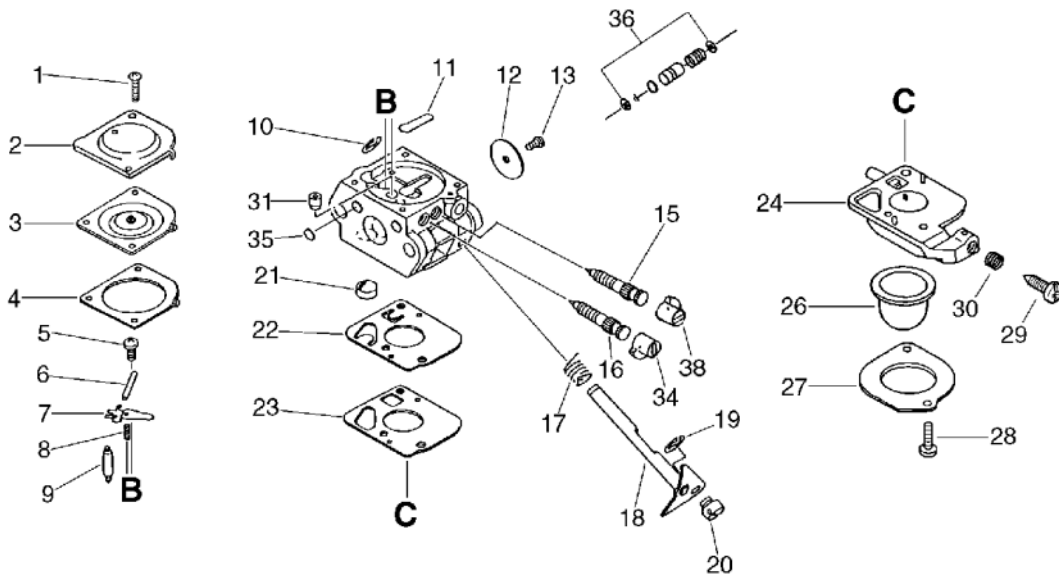
KEY	LV	PART NUMBER	Q'TY	DESCRIPTION	REMARKS	NOTE1	NOTE2
		610403-06961	1	CASE ASY, GEAR		Sus. by P021-009370	
		610403-06962	1	CASE ASY, GEAR		Sus. by P021-009370	
		610403-06963	1	CASE ASY, GEAR		Sus. by P021-009370	
		P021-009370	1	HOUSING ASSY, GEAR			
5	+	175005-04560	1	DRUM, CLUTCH			
6	+	900702-00035	1	CIRCLIP 35	CR-35		
7	+	900813-36202	1	BEARING, BALL 6202	6202Z/C3		
8	+	900810-36202	1	BEARING, BALL 6202	6202/C3		
9	+	900701-00014	1	CIRCLIP 14	CS-14		
15	+	610407-05360	1	CASE, GEAR		Sus. by 610407-05361	
15	+	610407-05361	1	CASE, GEAR			
16	++	880110-10860	1	NIPPLE, GREASE		Can be used on 610407-05361 only	
17	+	433022-06460	4	NUT			
18	+	699110-06960	1	BAR, FRAME			
19	+	X411-000050	2	CUTTER	615L	Sus. by X411-000280	
19	+	X411-000280	2	CUTTER			
20	+	699118-04560	4	WASHER			
21	+	699115-04660	3	BOLT 6	6*18L		
22	+	699115-05360	1	BOLT			

11. Gear Case, Cutter, Tools



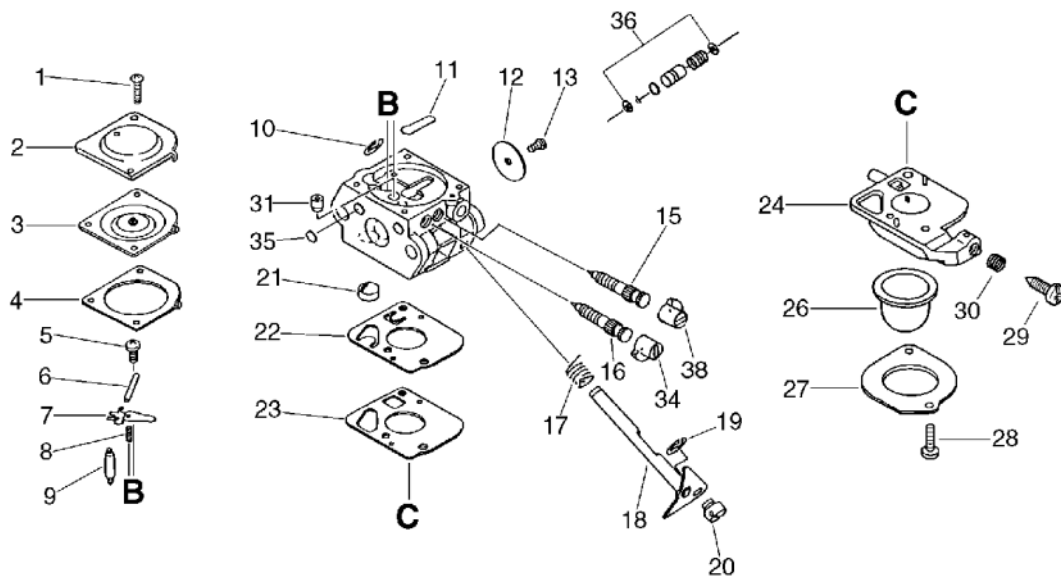
KEY	LV	PART NUMBER	Q'TY	DESCRIPTION	REMARKS	NOTE1	NOTE2
23	+	900162-04010	6	BOLT, H.S. 4*10	4*10 W,SW		
24	+	610411-05361	1	LID, GEARCASE			
25	+	610414-05360	1	GASKET, GEAR HOUSING			
26	+	610425-04560	1	SEAL			
27	+	610330-04560	2	ROD, CONNECTING		Sus. by C532-000120	
27	+	C532-000120	2	ROD, CONNECTING			
28	+	610312-04560	1	GEAR		Sus. by 610312-04561	
28	+	610312-04561	1	GEAR			
29	+	610350-04560	1	WASHER			
30	+	610440-04560	1	HOLDER, FRAME			
31	+	900212-06025	2	SCREW 6*25	+SF6*25		
32	+	900212-05030	1	SCREW (5*30*P0.8)	+SF5*30		
33	+	699125-06560	1	BLUNT	539L		
34	+	900500-00006	2	NUT 6	6		
35	+	900162-05020	3	BOLT, H.S. 5*20	5*20 W,SW		
40		895410-00430	1	WRENCH, W/S. DRIVER			
41		895112-00330	1	SPANNER 8*10			
42		898523-06960	1	SCABBARD, BLADE		Sus. by X495-000051	
42		X495-000051	1	SCABBARD, BLADE			
43		898510-39130	1	BAG, TOOL			

12. Carburetor(Sr/Nr 36006680 and before)



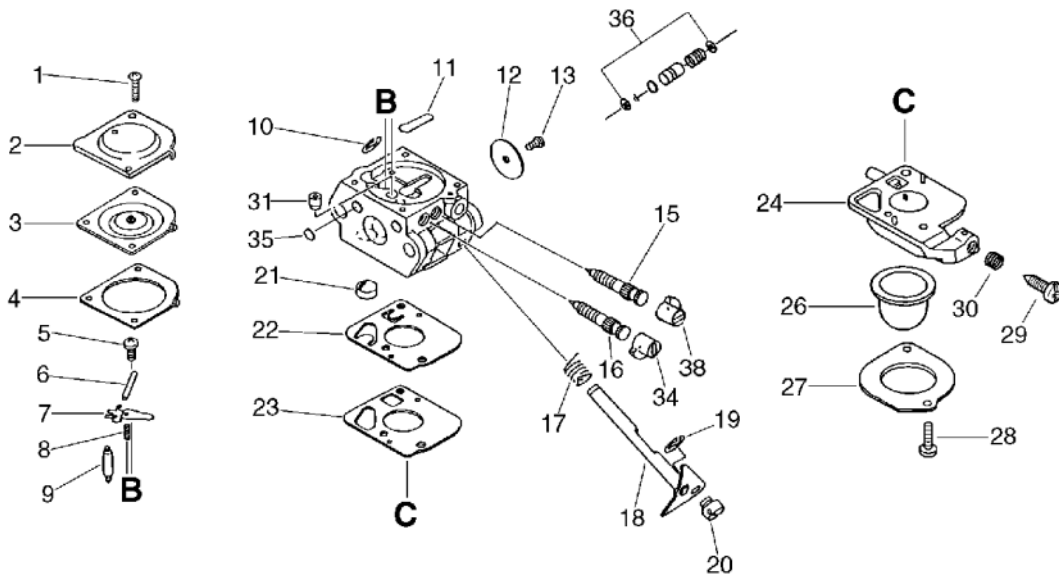
KEY	LV	PART NUMBER	Q'TY	DESCRIPTION	REMARKS	NOTE1	NOTE2
		125200-05962	1	CARBURETOR	C1U-K51	Sus. by 125200-05964	
		125200-05963	1	CARBURETOR C1U-K51	C1U-K51	Sus. by 125200-05964	
		125200-05964	1	CARBURETOR	C1U-K51		
1	+	125344-52130	2	SCREW			
2	+	125342-13210	1	COVER, DIAPHRAGM		Sus. by 125342-52130	
2	+	125342-52130	1	COVER, DIAPHRAGM			
3	+	125341-49030	1	DIAPHRAGM			
4	+	125340-51030	1	GASKET, DIAPHRAGM			
5	+	125339-42030	1	SCREW			
6	+	125338-13930	1	PIN, METERING ARM			
7	+	125323-42030	1	LEVER, METERING			
8	+	125322-42030	1	SPRING, COIL			
9	+	125337-06960	1	VALVE, INLET NEEDLE			
10	+	125327-15130	1	CLIP			
11	+	125345-15130	1	PLUG, WELCH			
12	+	125316-49030	1	VALVE, THROTTLE			
13	+	125314-13930	1	SCREW	3*4		
15	+	125318-13120	1	SCREW, IDLE NEEDLE			
16	+	125320-13310	1	NEEDLE, HIGH SPEED			
17	+	125313-42030	1	SPRING, THRT. RETURN			
18	+	125317-13310	1	SHAFT, THROTTLE			
19	+	125327-13930	1	CLIP			
20	+	125372-42030	1	SWIVEL			

12. Carburetor(Sr/Nr 36006680 and before)



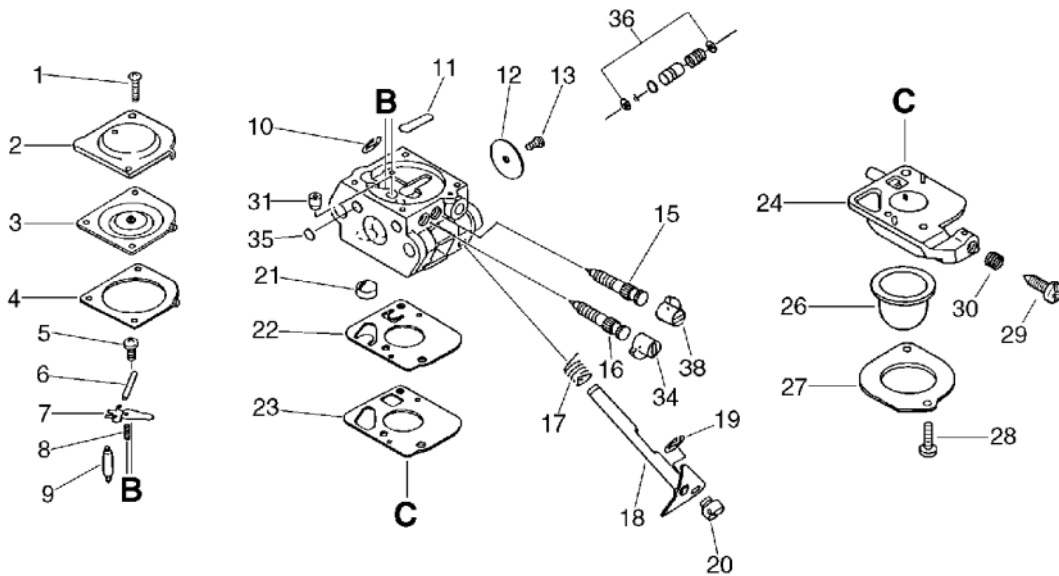
KEY	LV	PART NUMBER	Q'TY	DESCRIPTION	REMARKS	NOTE1	NOTE2
21	+	125326-42030	1	STRAINER			
22	+	125312-12820	1	DIAPHRAGM, FUEL PUMP			
23	+	125325-13310	1	GASKET, PUMP			
24	+	P005-000590	1	BASE,ASY PRIMER			
26	+	125381-08660	1	PUMP, PRIMING			
27	+	125363-11610	1	RING			
28	+	125310-11610	2	SCREW			
29	+	125334-06960	1	SCREW,THROTTLEADJUST			
30	+	125333-06960	1	SPRING,IDLE ADJUSTER			
31	+	125376-13120	1	NOZZLE, CHECK VALVE			
34	+	125329-39030	1	LIMITER, MIXTURE		Sr/Nr 35003900 and before	
34		A259-000030	1	CAP,LIMITER		Sr/Nr 36001001 and after	
35	+	125345-13310	1	PLUG, WELCH			
36	+	125306-13120	1	PUMP KIT, ACC.		Sus. by P005- 002020	
38		125329-09860	1	LIMITER, MIXTURE		Sr/Nr 36001001 and after	

13. Carburetor(Sr/Nr 36006681 and after)



KEY	LV	PART NUMBER	Q'TY	DESCRIPTION	REMARKS	NOTE1	NOTE2
		125200-05964	1	CARBURETOR	C1U-K51	Sr/Nr 36006681 and after	
1	+	125344-52130	2	SCREW			
2	+	125342-52130	1	COVER, DIAPHRAGM			
3	+	125341-49030	1	DIAPHRAGM			
4	+	125340-51030	1	GASKET, DIAPHRAGM			
5	+	125339-42030	1	SCREW			
6	+	125338-13930	1	PIN, METERING ARM			
7	+	125323-42030	1	LEVER, METERING			
8	+	125322-42030	1	SPRING, COIL			
9	+	125337-06960	1	VALVE, INLET NEEDLE			
10	+	125327-15130	1	CLIP			
11	+	125345-15130	1	PLUG, WELCH			
12	+	125316-49030	1	VALVE, THROTTLE			
13	+	125314-13930	1	SCREW	3*4		
15	+	125318-13120	1	SCREW, IDLE NEEDLE			
16	+	125320-13310	1	NEEDLE, HIGH SPEED			
17	+	125313-42030	1	SPRING, THRT. RETURN			
18	+	125317-13310	1	SHAFT, THROTTLE			
19	+	125327-13930	1	CLIP			
20	+	125372-42030	1	SWIVEL			
21	+	125326-42030	1	STRAINER			
22	+	125312-12820	1	DIAPHRAGM, FUEL PUMP			
23	+	125325-13310	1	GASKET, PUMP			
24	+	P005-000590	1	BASE, ASY PRIMER			
26	+	125381-08660	1	PUMP, PRIMING			

13. Carburetor(Sr/Nr 36006681 and after)



KEY	LV	PART NUMBER	Q'TY	DESCRIPTION	REMARKS	NOTE1	NOTE2
27	+	125363-11610	1	RING			
28	+	125310-11610	2	SCREW			
29	+	125334-06960	1	SCREW, THROTTLE ADJUST			
30	+	125333-06960	1	SPRING, IDLE ADJUSTER			
31	+	125376-13120	1	NOZZLE, CHECK VALVE			
34	+	A259-000030	1	CAP, LIMITER			
35	+	125345-13310	1	PLUG, WELCH			
36	+	125306-13120	1	PUMP KIT, ACC.		Sus. by P005-002020	
36	+	P005-002020	1	PUMP KIT, ACC			
38	+	125329-09860	1	LIMITER, MIXTURE			

14. Repair Kit

KEY	LV	PART NUMBER	Q'TY	DESCRIPTION	REMARKS	NOTE1	NOTE2
		125303-13310	1	DIAPHRAGM/GASKET KIT			
8- 3	+	125341-49030	1	DIAPHRAGM			
8- 4	+	125340-51030	1	GASKET, DIAPHRAGM			
8-22	+	125312-12820	1	DIAPHRAGM, FUEL PUMP			
8-23	+	125325-13310	1	GASKET, PUMP			
		125300-13310	1	REBUILD KIT			
8- 3	+	125341-49030	1	DIAPHRAGM			
8- 4	+	125340-51030	1	GASKET, DIAPHRAGM			
8- 6	+	125338-13930	1	PIN, METERING ARM			
8- 7	+	125323-42030	1	LEVER, METERING			
8- 8	+	125322-42030	1	SPRING, COIL			
8- 9	+	125337-06960	1	VALVE, INLET NEEDLE			
8-11	+	125345-15130	1	PLUG, WELCH			
8-21	+	125326-42030	1	STRAINER			
8-22	+	125312-12820	1	DIAPHRAGM, FUEL PUMP			
8-23	+	125325-13310	1	GASKET, PUMP			

Index

Patrs Number	Key No.	Patrs Number	Key No.	Patrs Number	Key No.
100013-11520	1 - 16	125314-13930	13 - 13	125342-13210	12 - 2
100013-11520	2 - 16	125316-49030	12 - 12	125342-52130	12 - 2
100014-08960	1 - 13	125316-49030	13 - 12	125342-52130	13 - 2
100014-08960	2 - 13	125317-13310	12 - 18	125344-52130	12 - 1
100015-04630	1 - 15	125317-13310	13 - 18	125344-52130	13 - 1
100015-04630	2 - 15	125318-13120	12 - 15	125345-13310	12 - 35
100100-06561	1 - 10	125318-13120	13 - 15	125345-13310	13 - 35
100100-06562	1 - 10	125320-13310	12 - 16	125345-15130	12 - 11
100100-06563	1 - 10	125320-13310	13 - 16	125345-15130	13 - 11
100100-06564	1 - 10	125322-42030	12 - 8	125345-15130	14 - 8-11
100100-06564	2 - 10	125322-42030	13 - 8	125363-11610	12 - 27
100113-05930	1 - 12	125322-42030	14 - 8- 8	125363-11610	13 - 27
100113-05930	2 - 12	125323-42030	12 - 7	125372-42030	12 - 20
100204-05361	1 - 4	125323-42030	13 - 7	125372-42030	13 - 20
100204-05361	2 - 4	125323-42030	14 - 8- 7	125376-13120	12 - 31
100212-42031	1 - 5	125325-13310	12 - 23	125376-13120	13 - 31
100212-42031	2 - 5	125325-13310	13 - 23	125381-08660	12 - 26
100215-03930	1 - 9	125325-13310	14 - 8-23	125381-08660	13 - 26
100215-03930	2 - 9	125325-13310	14 - 8-23	129011-52730	6 - 17
100242-42030	1 - 8	125326-42030	12 - 21	129011-52730	7 - 17
100242-42030	2 - 8	125326-42030	13 - 21	130010-42032	6 - 5
101010-44332	1 - 27	125326-42030	14 - 8-21	130010-42032	7 - 5
101010-44332	2 - 27	125327-13930	12 - 19	130016-42031	6 - 9
101011-06562	1 - 19	125327-13930	13 - 19	130016-42031	7 - 9
101011-06562	2 - 19	125327-15130	12 - 10	130017-42031	6 - 7
101506-05361	2 - 25	125327-15130	13 - 10	130017-42031	7 - 7
101506-06560	1 - 25	125329-09860	12 - 38	130300-06961	7 - 14
101506-06561	1 - 25	125329-09860	13 - 38	130310-54130	6 - 18
125200-05962	12 -	125329-39030	12 - 34	130310-54130	7 - 18
125200-05962	6 - 10	125333-06960	12 - 30	130313-05863	7 - 19
125200-05963	12 -	125333-06960	13 - 30	130313-06563	6 - 19
125200-05963	6 - 10	125334-06960	12 - 29	131004-08960	8 - 17
125200-05964	12 -	125334-06960	13 - 29	131005-05361	8 - 5
125200-05964	13 -	125337-06960	12 - 9	131016-55830	8 - 18
125200-05964	6 - 10	125337-06960	13 - 9	131051-52430	8 - 19
125200-05964	7 - 10	125337-06960	14 - 8- 9	131205-07320	8 - 15
125300-13310	14 -	125338-13930	12 - 6	131300-56430	8 - 9
125303-13310	14 -	125338-13930	13 - 6	131312-39130	8 - 11
125306-13120	12 - 36	125338-13930	14 - 8- 6	131312-44330	8 - 11
125306-13120	13 - 36	125339-42030	12 - 5	132010-06460	8 - 16
125310-11610	12 - 28	125339-42030	13 - 5	132010-07530	8 - 12
125310-11610	13 - 28	125340-51030	12 - 4	132013-09820	8 - 14
125312-12820	12 - 22	125340-51030	13 - 4	132115-46730	8 - 13
125312-12820	13 - 22	125340-51030	14 - 8- 4	145802-05360	6 - 29
125312-12820	14 - 8-22	125340-51030	14 - 8- 4	145802-05361	6 - 29
125312-12820	14 - 8-22	125341-49030	12 - 3	145802-05361	7 - 29
125313-42030	12 - 17	125341-49030	13 - 3	145863-06560	6 - 34
125313-42030	13 - 17	125341-49030	14 - 8- 3	145866-42031	6 - 32
125314-13930	12 - 13	125341-49030	14 - 8- 3	145866-42031	7 - 32

Index

Patrs Number	Key No.	Patrs Number	Key No.	Patrs Number	Key No.
145871-05360	6 - 28	351101-13360	9 - 3	900105-05050	7 - 36
145871-05360	7 - 28	351308-13360	10 - 31	900162-04010	11 - 23
145876-42030	6 - 33	351308-13360	9 - 31	900162-04016	3 - 14
145876-42030	7 - 33	351312-13361	10 - 33	900162-04016	4 - 5
156110-04920	4 - 21	351312-13361	9 - 33	900162-04016	5 - 5
156110-04920	5 - 21	351313-13361	10 - 4	900162-04020	1 - 26
156114-04920	3 - 27	351313-13361	9 - 4	900162-04020	2 - 26
156801-05360	3 - 23	351610-05360	10 - 28	900162-04022	3 - 24
159011-03432	3 - 29	351610-05360	9 - 28	900162-05020	11 - 35
159012-03433	3 - 30	351611-05360	10 - 29	900162-05022	1 - 20
159017-12330	3 - 28	351611-05360	9 - 29	900162-05022	2 - 20
162021-52830	3 - 26	351648-13360	10 - 12	900162-05028	1 - 6
163400-13360	10 - 14	351648-13360	9 - 12	900162-05028	2 - 6
163400-13360	9 - 14	433022-06460	11 - 17	900212-05030	11 - 32
175000-06560	3 - 7	605611-13360	10 - 15	900212-06025	11 - 31
175005-04560	11 - 5	605611-13360	9 - 15	900220-05045	10 - 32
175009-05131	3 - 9	610312-04560	11 - 28	900220-05045	9 - 32
175014-05360	3 - 5	610312-04561	11 - 28	900238-05020	6 - 8
175016-04920	3 - 10	610330-04560	11 - 27	900238-05020	7 - 8
175018-05960	3 - 8	610350-04560	11 - 29	900238-05030	10 - 2
175019-04920	3 - 6	610403-06961	11 -	900238-05030	9 - 2
175055-05360	3 - 13	610403-06962	11 -	900239-05016	8 - 6
177228-27030	4 - 8	610403-06963	11 -	900242-04010	6 - 35
177228-27030	5 - 8	610407-05360	11 - 15	900242-04010	7 - 35
177246-11120	4 - 20	610407-05361	11 - 15	900242-05065	6 - 16
177246-11120	5 - 20	610411-05361	11 - 24	900242-05065	7 - 16
178001-13360	10 - 25	610414-05360	11 - 25	900256-04016	10 - 6
178001-13360	9 - 25	610425-04560	11 - 26	900256-04016	9 - 6
178010-13361	10 - 10	610440-04560	11 - 30	900500-00005	6 - 6
178010-13361	9 - 10	689025-13361	10 - 21	900500-00005	7 - 6
178012-13360	10 - 11	689025-13361	9 - 21	900500-00006	11 - 34
178012-13360	9 - 11	699110-06960	11 - 18	900502-00006	10 - 26
178013-13660	10 - 9	699115-04660	11 - 21	900502-00006	9 - 26
178013-13660	9 - 9	699115-05360	11 - 22	900560-00005	10 - 17
178043-13360	10 - 16	699118-04560	11 - 20	900560-00005	10 - 30
178043-13360	9 - 16	699125-06560	11 - 33	900560-00005	9 - 17
178043-13660	10 - 13	880110-10860	11 - 16	900560-00005	9 - 30
178043-13660	9 - 13	890121-05360	6 - 21	900600-00005	10 - 18
178127-13361	10 - 24	890121-05360	7 - 21	900600-00005	6 - 37
178127-13361	9 - 24	890123-13360	4 - 3	900600-00005	7 - 37
178129-13361	10 - 22	890123-13360	5 - 3	900600-00005	9 - 18
178129-13361	9 - 22	890157-39130	9 - 8	900600-00006	10 - 27
178302-13360	10 - 7	890617-07660	4 - 2	900600-00006	9 - 27
178302-13360	9 - 7	890617-07660	5 - 2	900605-00008	4 - 23
210417-52730	6 - 20	895112-00330	11 - 41	900605-00008	5 - 23
210417-52730	7 - 20	895410-00430	11 - 40	900701-00014	11 - 9
351100-13361	10 - 5	898510-39130	11 - 43	900702-00035	11 - 6
351100-13361	9 - 5	898523-06960	11 - 42	900810-36202	11 - 8
351101-13360	10 - 3	900105-05050	6 - 36	900813-36202	11 - 7

Index

Patrs Number	Key No.	Patrs Number	Key No.	Patrs Number	Key No.
94035-36201	1 - 7	P022-004740	4 - 26		
94035-36201	2 - 7	P022-004740	5 - 26		
A051-000600	4 - 7	P022-006500	4 - 19		
A052-000150	4 - 25	P022-006500	5 - 19		
A052-000150	5 - 25	P022-006510	4 - 27		
A101-000000	1 - 17	P022-006510	5 - 27		
A101-000000	2 - 17	V104-000160	6 - 30		
A259-000030	12 - 34	V104-000160	7 - 30		
A259-000030	13 - 34	V135-000000	4 - 21		
A313-000010	6 - 34	V306-00015	1 - 18		
A313-000010	7 - 34	V306-000150	2 - 18		
A350-000270	8 - 5	V470-000580	8 - 12		
A350-000271	8 - 5	V475-001900	3 - 33		
A350-000272	8 - 5	X411-000050	11 - 19		
A411-000080	3 - 25	X411-000280	11 - 19		
C532-000120	11 - 27	X495-000051	11 - 42		
P005-000590	12 - 24	X502-000032	4 - 6		
P005-000590	13 - 24	X502-000260	10 - 23		
P005-002020	13 - 36	X502-000260	9 - 23		
P021-001111	1 - 11	X502-000430	10 - 23		
P021-001112	1 - 11	X502-000460	5 - 6		
P021-001113	1 - 11	X503-004490	4 - 2		
P021-001113	2 - 11	X503-008870	5 - 2		
P021-002921	6 - 14	X505-002030	10 - 34		
P021-006100	4 - 7	X547-000230	4 - 6		
P021-009370	11 -	X547-000230	5 - 6		
P021-011040	5 - 7				
P022-002100	4 - 28				
P022-002100	5 - 28				
P022-004600	4 - 12				
P022-004600	5 - 12				
P022-004610	4 - 9				
P022-004610	5 - 9				
P022-004620	4 - 10				
P022-004620	5 - 10				
P022-004630	4 - 18				
P022-004630	5 - 18				
P022-004640	4 - 17				
P022-004640	5 - 17				
P022-004660	4 - 14				
P022-004660	5 - 14				
P022-004670	4 - 15				
P022-004670	5 - 15				
P022-004680	4 - 11				
P022-004680	5 - 11				
P022-004690	4 - 13				
P022-004690	5 - 13				
P022-004700	4 - 16				
P022-004700	5 - 16				

YAMABIKO CORPORATION

7-2 SUEHIROCHO 1-CHOME, OHME, TOKYO 198-8760, JAPAN
PHONE: 81-428-32-6118. FAX: 81-428-32-6145.

