

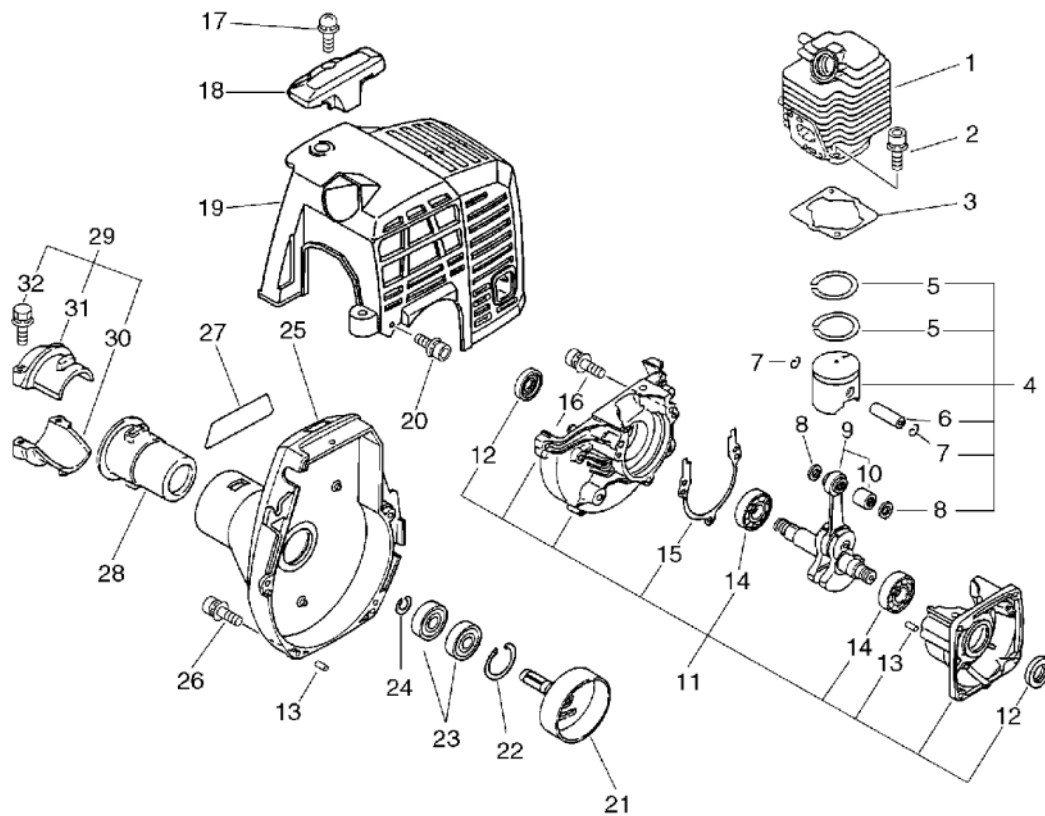


PARTS CATALOGUE

SHAFT HEDGE TRIMMER

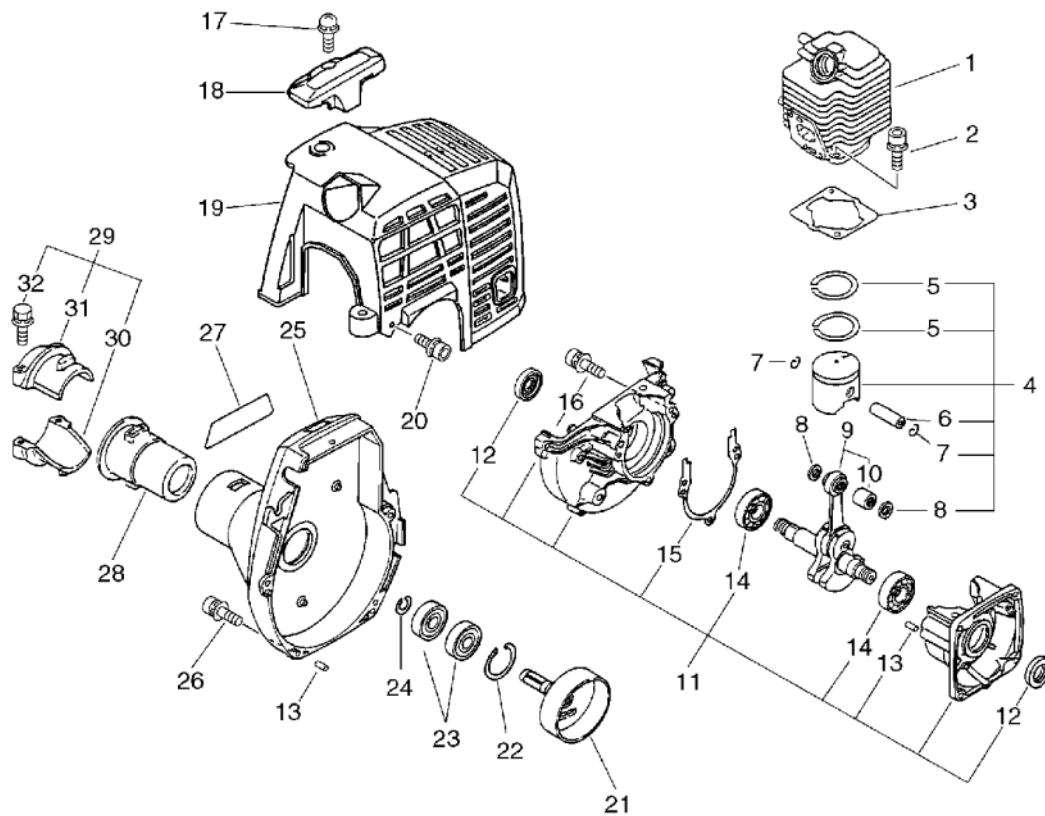
HCA-2500(36)

1. Cylinder, Crankcase, Piston, Fan Cover



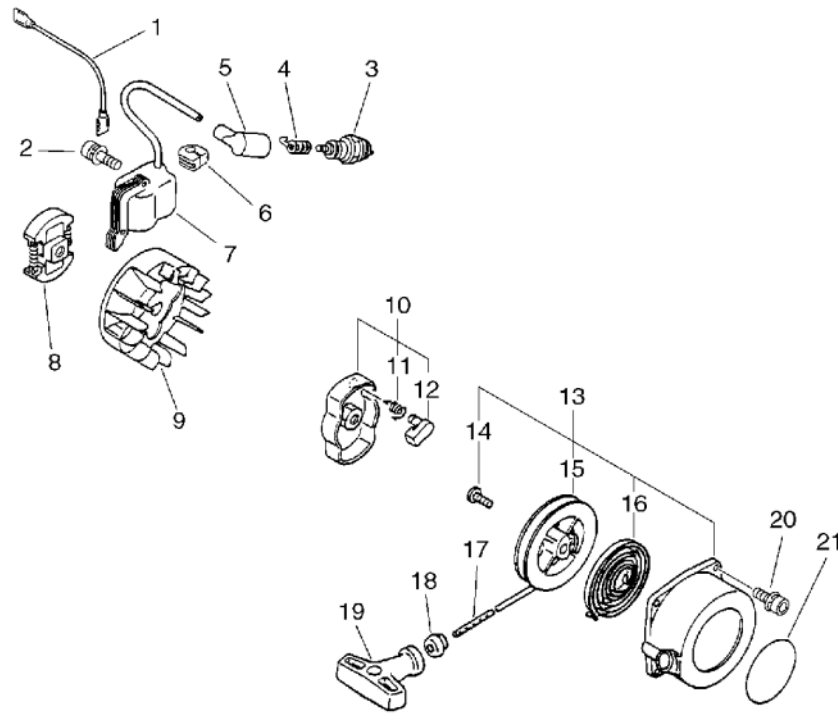
KEY	LV	PART NUMBER	Q'TY	DESCRIPTION	REMARKS	NOTE1	NOTE2
1		101011-08961	1	CYLINDER (CR)			
2		900162-05022	2	BOLT, H.S. 5*22	5*22 W,SW		
3		101010-44332	1	GASKET, CYL. BASE			
4		100000-09563	1	PISTON KIT			
5	+	100011-09560	2	RING, PISTON			
6	+	100013-11520	1	PIN, PISTON			
7	+	100015-04630	2	CIRCLIP, PISTON PIN			
8	+	100014-11520	2	SPACER, PISTON PIN			
9		A011-000101	1	CRANKSHAFT,ASM			
10	+	V553-000010	1	BEARING,NEEDLE 8	HK0810		
11		100204-52132	1	CRANKCASE KIT			
12	+	100212-42031	2	OILSEAL	ISCD 12*22*4.5		
13	+	100215-03930	2	PIN, DOWEL			
14	+	94035-36201	2	BEARING BALL	6201X3JR2C3		
15	+	100242-42030	1	GASKET, CRANKCASE			
16	+	900162-05028	3	BOLT, H.S. 5*28	5*28 W,SW		
17		900238-05016	1	SCREW 5*16	5*16		
18		159912-54130	1	GUARD, TOP			
19		101514-48930	1	COVER, CYLINDER			
20		900163-04016	2	BOLT HSH			
21		175005-48931	1	DRUM, CLUTCH			
22		900702-00028	1	CIRCLIP 28	CR-28		
23		900807-96001	2	BEARING, BALL 6001	6001		
24		900701-00012	1	CIRCLIP 12	CS-12		
25		101503-52131	1	COVER ASSY, FAN			

1. Cylinder, Crankcase, Piston, Fan Cover



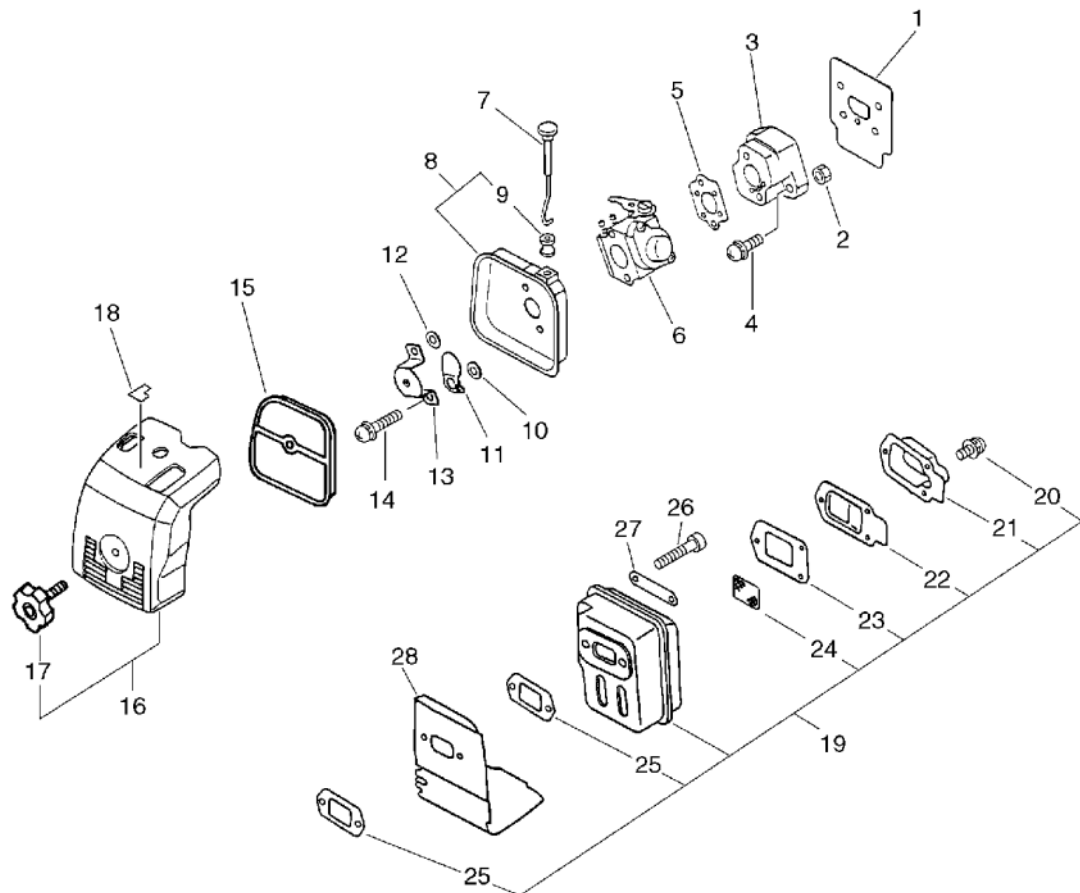
KEY	LV	PART NUMBER	Q'TY	DESCRIPTION	REMARKS	NOTE1	NOTE2
13		100215-03930	2	PIN, DOWEL			
26		900163-04016	4	BOLT HSH			
27		X503-006300	1	LABEL, MODEL	HCA-2500		
28		610910-55230	1	CUSHION			
29		610903-55230	1	HOLDER KIT			
30	+	610923-55230	1	HOLDER			
31	+	610922-27432	1	HOLDER			
32	+	900142-05025	2	BOLT 5*25 (W/W,SW)	5*25		

2. Starter, Magneto, Clutch



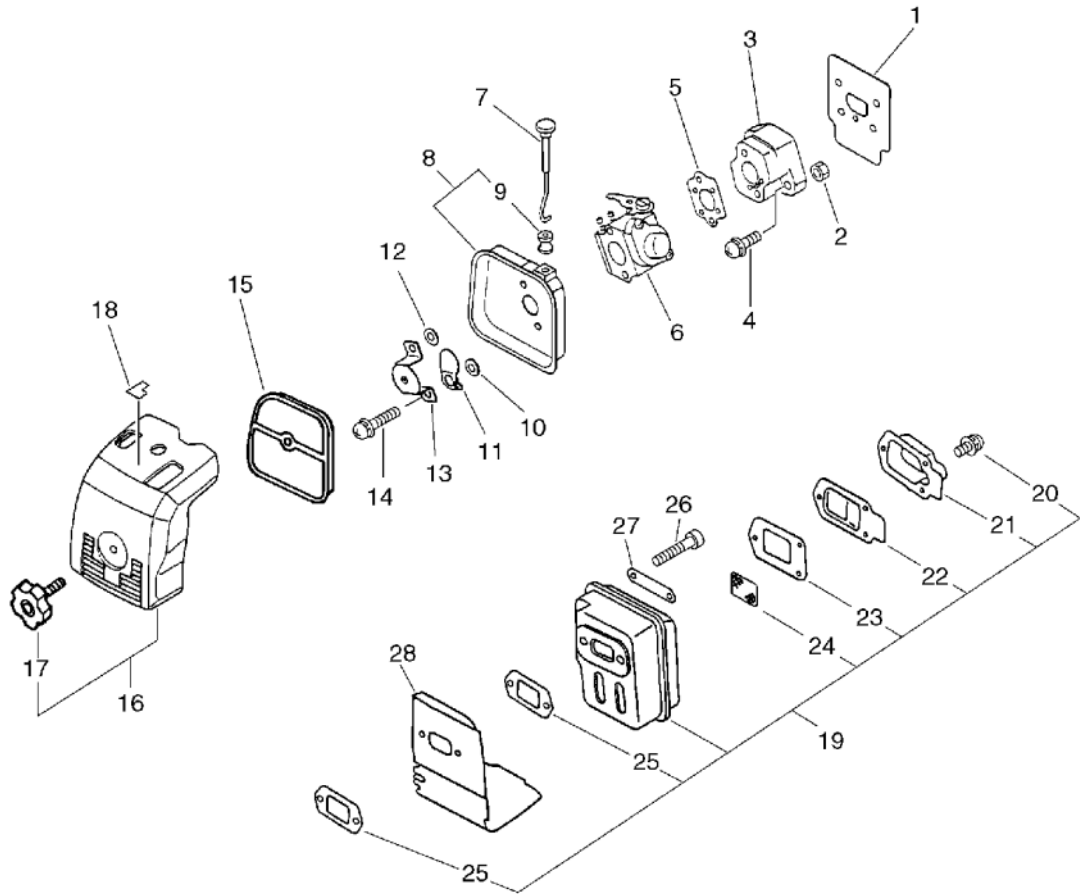
KEY	LV	PART NUMBER	Q'TY	DESCRIPTION	REMARKS	NOTE1	NOTE2
1		162010-52830	1	LEAD, GROUND			
2		900162-04022	2	BOLT, H.S. 4*22	4*22 W,SW		
3		159010-10230	1	PLUG, SPARK (BPMR-7A)	BPMR-7A		
4		159011-03432	1	COIL, SPARK PLUG			
5		159012-03433	1	CAP, SPARK PLUG			
6		156112-40630	1	GROMMET			
7		156626-52630	1	COIL, IGNITION			
8		175000-56830	1	CLUTCH ASSY		Sus. by 175000-56831	
9		156801-44731	1	FLYWHEEL			
10		177202-44331	1	PAWL ASM., STARTER			
11	+	177234-42030	1	SPRING, RETURN			
12	+	177218-44330	1	PAWL, STARTER	BLACK		
13		177200-42033	1	STARTER ASSY			
14	+	177236-44330	1	SCREW			
15	+	177215-44430	1	DRUM, STARTER			
16	+	177220-42030	1	SPRING, REWIND			
17	+	177226-10120	1	ROPE, STARTER	3.0*1000		
18	+	177227-42030	1	GUIDE, ROPE			
19	+	177228-06530	1	GRIP, STARTER			
20		900163-04016	2	BOLT HSH			
21		890118-49130	1	LABEL, ECHO			

3. Air Cleaner, Muffler



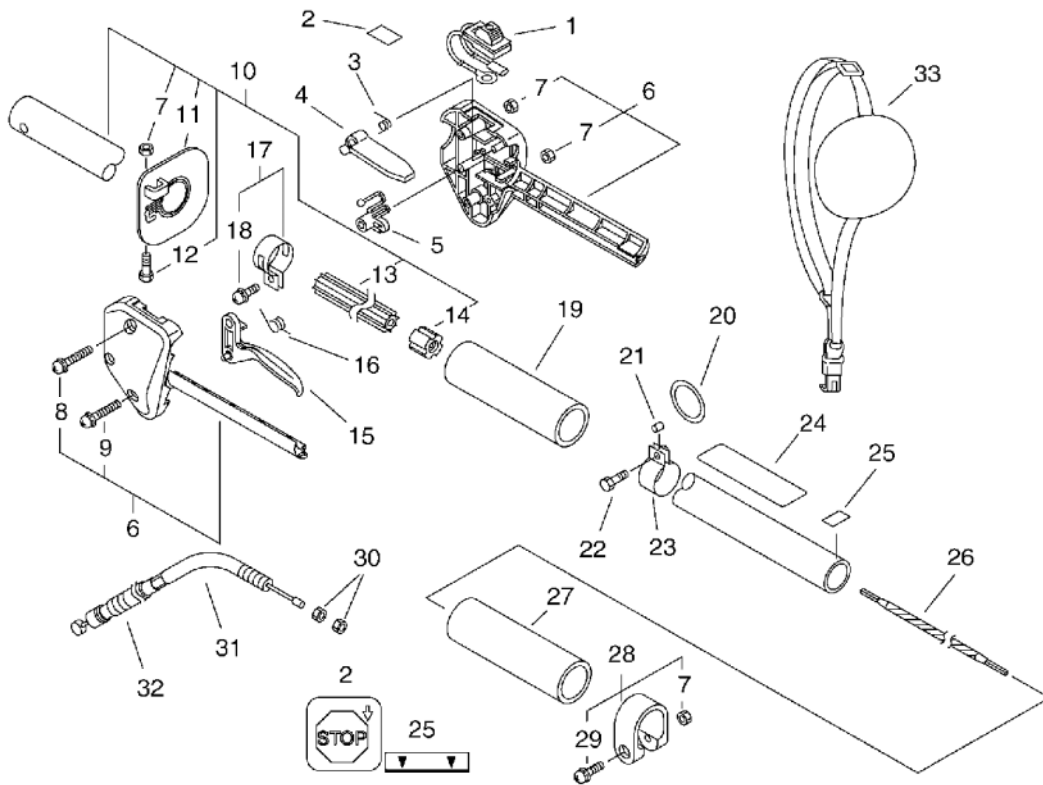
KEY	LV	PART NUMBER	Q'TY	DESCRIPTION	REMARKS	NOTE1	NOTE2
1		130010-42032	1	GASKET,INTAKE			
2		900500-00005	2	NUT 5	5		
3		130017-42031	1	INSULATOR, INTAKE			
4		900238-05020	2	SCREW 5*20	5*20		
5		130010-05960	1	GASKET, INTAKE			
6		123000-52133	1	CARBURETOR WT-424C	WT-424C		
7		178510-51730	1	ROD, CHOKE			
8		130301-51730	1	CASE, AIR CLEANER			
9	+	178810-05230	1	GROMMET			
10		178516-00830	1	SPACER	5.2*8*0.8T		
11		178515-05060	1	SHUTTER, CHOKE			
12		900600-00005	1	WASHER 5	5		
13		129011-52131	1	PLATE			
14		900242-05057	2	SCREW 5*57	5*57		
15		130310-51830	1	FILTER, AIR			
16		130302-52131	1	COVER ASY, A.CLEANER			
17	+	130406-52131	1	KNOB, FASTENER			
18		890121-47530	1	LABEL, CHOKE			
19		P021-008940	1	MUFFLER ASY			
20	+	900242-04010	3	SCREW 4*10	4*10		
21	+	145818-52130	1	GUIDE, EXHAUST			
22	+	145876-42030	1	LID, MUFFLER (B)			
23	+	145866-42031	1	GASKET, MUFFLER LID			
24	+	145862-40630	1	SCREEN, MUFFLER			
25	+	V104-000160	2	GASKET,EXHAUST			
26		900105-05055	2	BOLT, H.S. 5*55	5*55		

3. Air Cleaner, Muffler



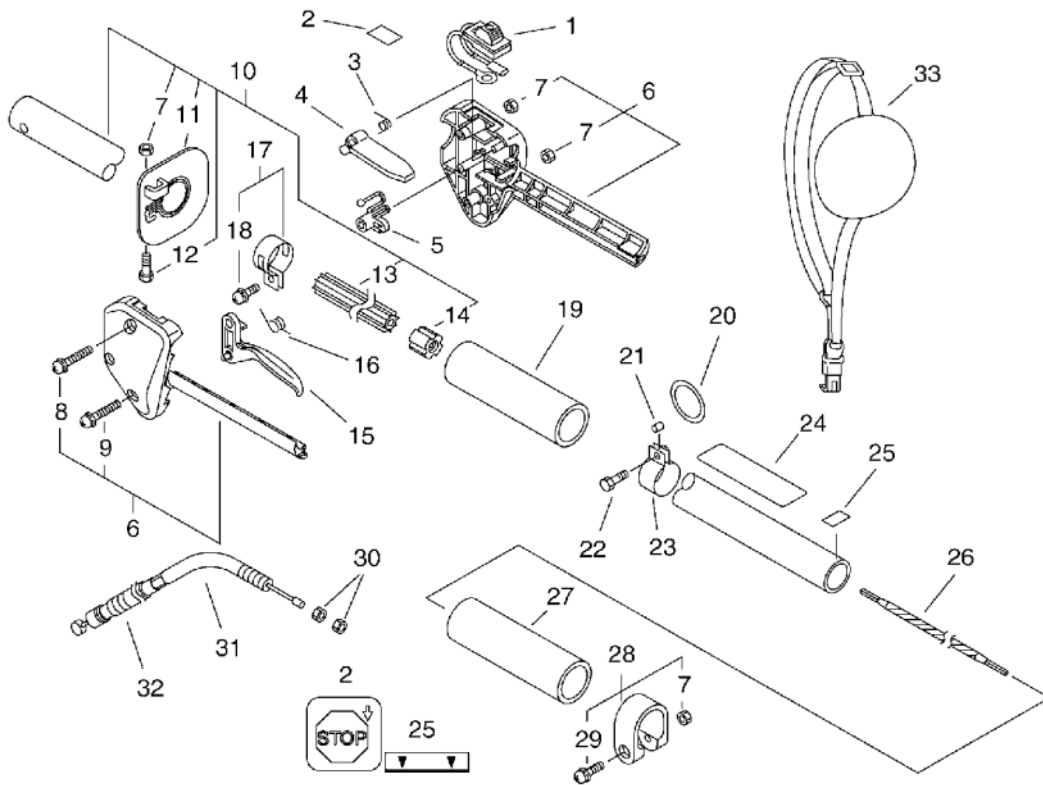
KEY	LV	PART NUMBER	Q'TY	DESCRIPTION	REMARKS	NOTE1	NOTE2
27		145642-04930	1	WASHER			
28		A320-000251	1	COVER,MUFFLER			

5. Handle



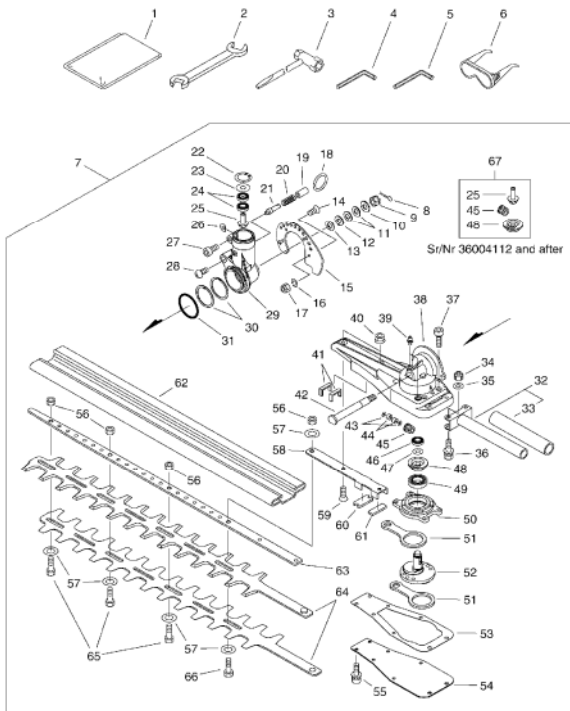
KEY	LV	PART NUMBER	Q'TY	DESCRIPTION	REMARKS	NOTE1	NOTE2
1		163401-55631	1	SWITCH, IGNITION			
2		890157-39130	1	LABEL, SWITCH			
3		178013-52630	1	SPRING, THR. LOCK			
4		178090-52632	1	LOCKOUT, T. CONTROL			
5		178012-52730	1	LOCKOUT, THROTTLE			
6		178003-52130	1	BRACKET SET, THROTTLE			
7	+	900500-00005	2	NUT 5	5		
8	+	900242-05035	1	SCREW 5*35	5*35		
9	+	900242-05025	1	SCREW 5*25	5*25		
10		C050-000440	1	PIPE, MAIN			
7	+	900500-00005	1	NUT 5	5		
11	+	C440-000020	1	GUARD, HAND			
12	+	900142-05020	1	BOLT 5*20 (W/W, SW)	5*20		
13	+	610217-44730	1	LINER, FLEXIBLE			
14	+	610246-44730	2	STOPPER			
15		178010-52130	1	CONTROL, THROTTLE			
16		178043-42230	1	SPRING, THR. RETURN			
17		301200-29430	1	BAND ASSY			
18	+	900242-05014	1	SCREW 5*14	5*14		
19		351213-52130	1	GRIP			
20		301016-52730	1	RING, HARNESS			
21		699012-03330	1	SPACER			
22		900100-05018	1	BOLT 5*18	5*18		
23		301207-08930	1	HOOK			
24		890617-12361	1	LABEL, CAUTION			
25		890152-04930	1	LABEL, CAUTION			

5. Handle



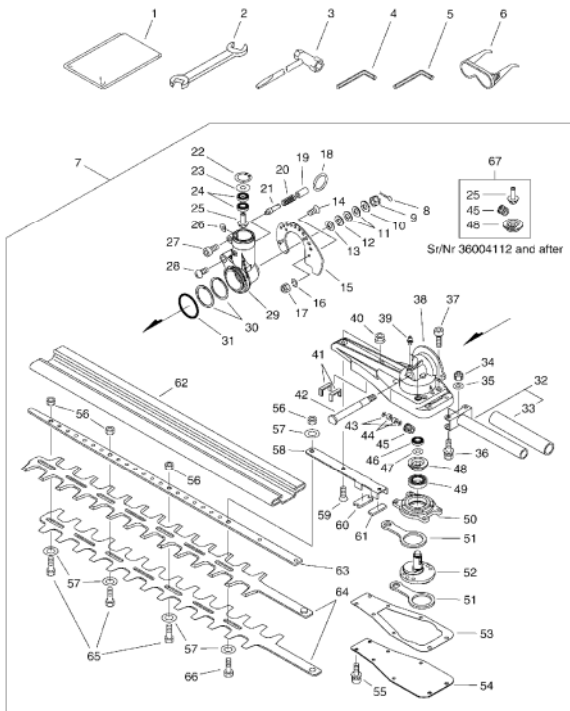
KEY	LV	PART NUMBER	Q'TY	DESCRIPTION	REMARKS	NOTE1	NOTE2
26		610013-44730	1	SHAFT, FLEXIBLE			
27		351012-54330	1	GRIP			
28		610272-52130	1	BAND			
7	+	900500-00005	1	NUT 5	5		
29	+	900242-05028	1	SCREW 5*28	5*28		
30		900502-00006	2	NUT 6 (3N)	3N6		
31		178001-56730	1	CABLE, THROTTLE			
32		178127-50330	1	TUBE	10*11*140		
33		C062-000100	1	HARNESS, SHOULDER			

6. Gear Case, Cutter, Tools



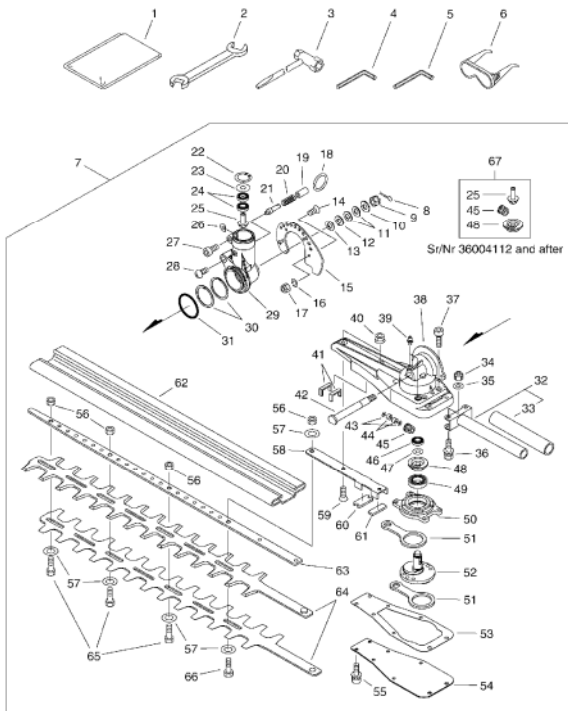
KEY	LV	PART NUMBER	Q'TY	DESCRIPTION	REMARKS	NOTE1	NOTE2
1		898510-39130	1	BAG, TOOL			
2		895112-00330	1	SPANNER 8*10			
3		X602-000020	1	TOOL,WRENCH	17*19 L200		
4		895612-03430	1	L-WRENCH (3MM)			
5		895610-00130	1	L-WRENCH (4MM)			
6		P021-002861	1	GOGGLES			
7		P021-010460	1	CASE ASY, GEAR		Sus. by P021-010464	
7		P021-010461	1	CASE ASY, GEAR	90092	Sus. by P021-010464	
7		P021-010462	1	CASE ASY, GEAR	90092	Sus. by P021-010464	
7		P021-010463	1	CASE ASY, GEAR	90092	Sus. by P021-010464	
7		P021-010464	1	CASE ASY, GEAR			
8	+	93000-16180	1	PIN SPLIT	P-1.6*18		
9	+	900529-00008	1	NUT, SLOTT 8			
10	+	V306-000140	1	WASHER,CIRCULAR 8			
11	+	V347-000010	2	WASHER,CONICAL			
12	+	V340-000110	1	WASHER			
13	+	V110-000040	1	GASKET,GEAR CASE	CIRCULAR 17MM OD		
14	+	900212-04012	2	SCREW 4*12	+SF4*12		
15	+	C465-000000	1	RESETTER,LATCH	HCA 180DG SPAN	Sus. by C465-000010	
15	+	C465-000010	1	RESETTER, LATCH			

6. Gear Case, Cutter, Tools



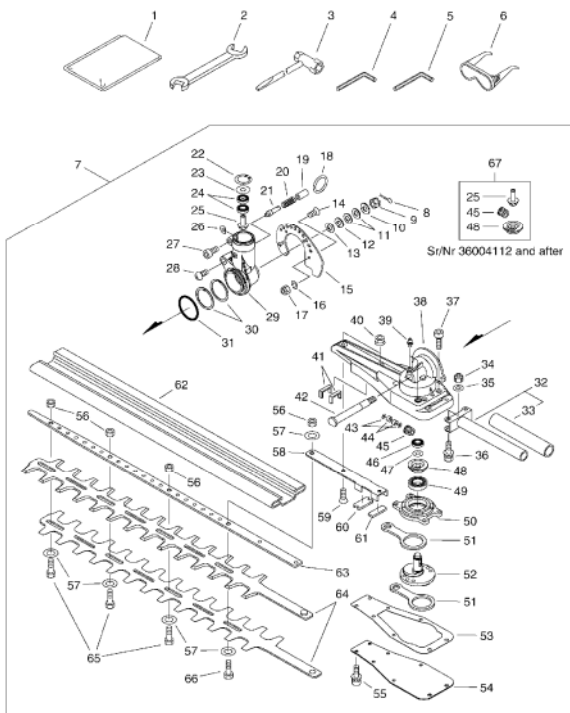
KEY	LV	PART NUMBER	Q'TY	DESCRIPTION	REMARKS	NOTE1	NOTE2
16	+	900605-00004	2	WASHER, SPRING 4	4		
17	+	900560-00004	2	LOCKNUT	4		
18	+	V583-000050	1	RING			
19	+	V355-000310	1	COLLAR,8			
20	+	V450-000420	1	SPRING,COMPRESSION			
21	+	V642-000020	1	PIN,LINCH			
22	+	900702-00022	1	CIRCLIP 22	CR-22		
23	+	V583-000060	1	RING			
24	+	900859-06900	2	BEARING, BALL 6900	6900		
25	+	V651-000150	1	GEAR,BEVEL		Sr/Nr 36004111 and before	
67	+	P021-010690	1	BEVEL GEAR SET		Sr/Nr 36004112 and after	
25	++	V651-000240	1	GEAR,BEVEL	12 TEETH	Can be used on the P021-010690 only	
45	++	V651-000250	1	GEAR,BEVEL	25 TEETH	Can be used on the P021-010690 only	
48	++	V651-000260	1	GEAR,BEVEL	35 TEETH	Can be used on the P021-010690 only	
26	+	V340-000170	1	WASHER			
27	+	900162-05025	1	BOLT, H.S. 5*25	5*25 W,SW		
28	+	900242-05012	1	SCREW 5*12	5*12		

6. Gear Case, Cutter, Tools



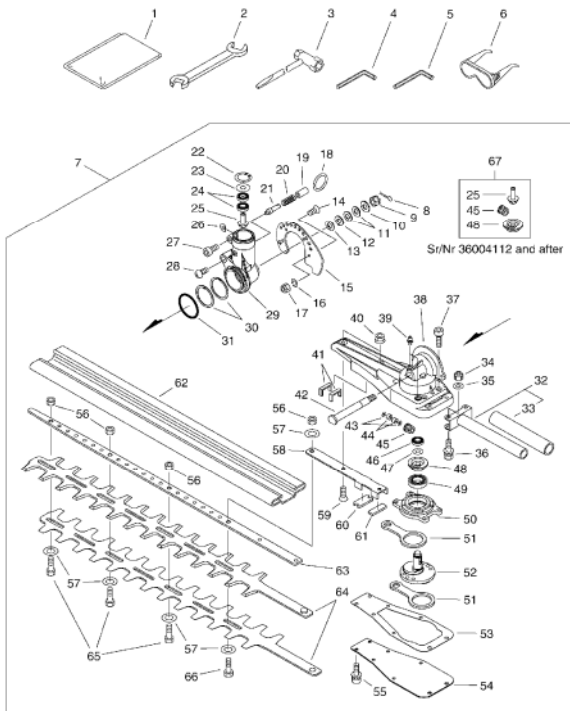
KEY	LV	PART NUMBER	Q'TY	DESCRIPTION	REMARKS	NOTE1	NOTE2
29	+	C531-000291	1	CASE,GEAR	SHAFT SIDE	Sus. by C531-000292	
29	+	C531-000292	1	CASE,GEAR			
30	+	V340-000120	2	WASHER			
31	+	900724-00032	1	O-RING	S-32		
32	+	351305-12360	1	HANDLE			
33	++	351315-12360	1	GRIP, HANDLE	19*135		
34	+	900560-00005	2	NUT, LOCK 5	5		
35	+	900600-00005	2	WASHER 5	5		
36	+	900142-05028	2	BOLT 5*28 (W/W,SW)	5*28		
37	+	900105-05008	4	BOLT, H.S. 5*8	5*8		
38	+	C531-000301	1	CASE,GEAR	DRIVEN SIDE	Sus. by C531-000302	
38	+	C531-000302	1	CASE,GEAR	DRIVEN SIDE		
39	+	880110-10860	2	NIPPLE, GREASE			
40	+	900516-00005	2	NUT, FRANGE 5	5		
41	+	V541-000130	2	SEAL			
42	+	C534-000260	1	SHAFT,GEAR			
43	+	V307-000150	2	WASHER,CIRCULAR 10	10.2*15.5*T=1		
44	+	V555-000040	2	BEARING,NEEDLE 10			
45	+	V651-000140	1	GEAR,BEVEL		Sr/Nr 36004111 and before	
46	+	900855-06900	1	BEARING, BALL 6900	6900		
47	+	V583-000040	1	RING			

6. Gear Case, Cutter, Tools



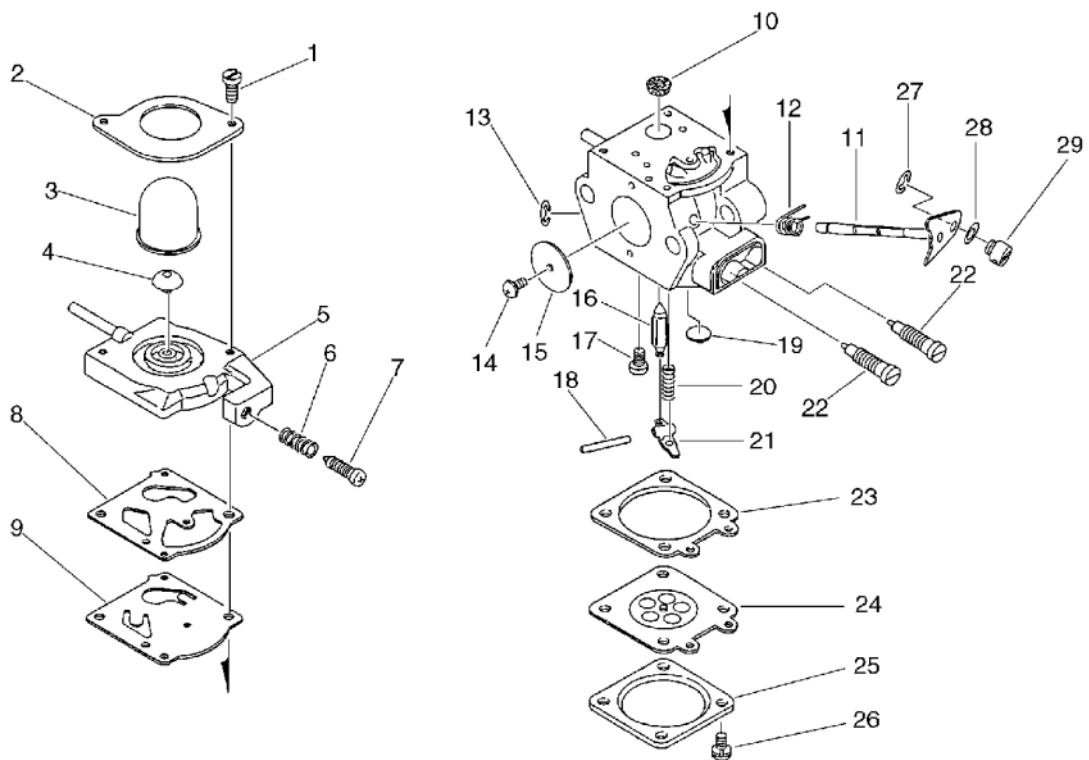
KEY	LV	PART NUMBER	Q'TY	DESCRIPTION	REMARKS	NOTE1	NOTE2
						Sr/Nr 36004111 and before	
48	+	V651-000160	1	GEAR,BEVEL			
49	+	900800-06001	1	BEARING, BALL 6001	6001		
50	+	C503-000071	1	HOLDER,BEARING	28 BEARING SEAT	Sus. by C503-000072	
50	+	C503-000072	1	HOLDER,BEARING	28 BEARING SEAT		
51	+	C532-000120	2	ROD, CONNECTING		Sus. by C532-000140	
51	+	C532-000140	2	ROD, CONNECTING	YAMASAKI		
52	+	C533-000040	1	CAM		Sus. by C533-000041	
52	+	C533-000041	1	CAM	HCA		
53	+	V110-000050	1	GASKET,GEAR CASE		Sus. by V110-000051	
53	+	V110-000051	1	GASKET,GEAR CASE	HCA GEARCASE LID		
54	+	C539-000010	1	LID,GEARCASE	HCA-260 G.C.		
55	+	900162-04012	6	BOLT, H.S. 4*12	4*12 W,SW	Sus. by 900162-04014	
56	+	433022-06460	4	NUT			
57	+	699118-04560	5	WASHER			
58	+	C538-000120	1	GUIDE,CUTTER			
59	+	900212-05020	2	SCREW 5*20	+SF5*20		
60	+	C538-000110	1	GUIDE,CUTTER			
61	+	C538-000100	1	GUIDE,CUTTER			

6. Gear Case, Cutter, Tools



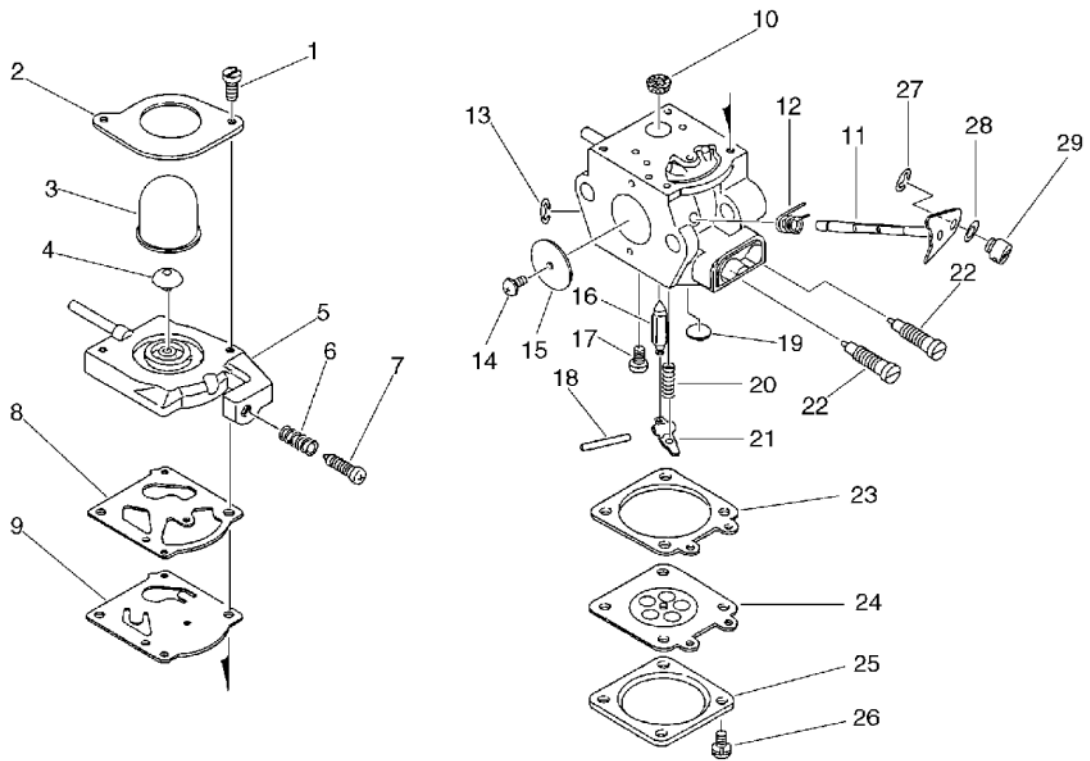
KEY	LV	PART NUMBER	Q'TY	DESCRIPTION	REMARKS	NOTE1	NOTE2
62	+	898523-12360	1	SCABBARD, BLADE		Sus. by X495-000060	
62	+	X495-000060	1	SCABBARD, BLADE	19.5		
63	+	X425-000170	1	SUPPORT, CUTTER		Sus. by X425-000220	
63	+	X425-000220	1	SUPPORT, CUTTER	T=3.0		
64	+	X411-000260	2	CUTTER		Sus. by X411-000350	
64	+	X411-000350	2	CUTTER	L= 570		
65	+	699115-04660	3	BOLT 6	6*18L		
66	+	699115-07760	1	BOLT, CUTTER			

7. Carburetor



KEY	LV	PART NUMBER	Q'TY	DESCRIPTION	REMARKS	NOTE1	NOTE2
		123000-52133	1	CARBURETOR WT-424C	WT-424C		
1	+	123110-43130	2	SCREW			
2	+	123142-09560	1	COVER, PRIMER PUMP			
3	+	123181-09560	1	PUMP, PRIMER			
4	+	123171-35630	1	VALVE, CHECK			
5	+	123124-43230	1	COVER, FUEL PUMP			
6	+	123133-04260	1	SPRING, IDLE ADJUST			
7	+	123134-04260	1	SCREW, IDLE ADJUST			
8	+	123125-09560	1	GASKET, FUEL PUMP			
9	+	123112-09560	1	DIAPHRAGM, FUEL PUMP			
10	+	123126-10631	1	SCREEN, INLET			
11	+	123117-52130	1	SHAFT, THROTTLE			
12	+	123113-52130	1	SPRING, THE.RTN			
13	+	123127-15030	1	RING			
14	+	123114-38830	1	SCREW			
15	+	123116-53130	1	VALVE, THROTTLE			
16	+	123137-19830	1	VALVE, INLET NEEDLE			
17	+	123139-03930	1	SCREW, M. LEVER PIN			
18	+	123138-03930	1	PIN, METERING LEVER			
19	+	123146-10631	1	PLUG, WELCH			
20	+	123122-39330	1	SPRING, METER. LEVER			
21	+	123123-03930	1	LEVER, METERING			
22	+	123120-52131	2	NEEDLE, HIGH SPEED			
23	+	123140-03930	1	GASKET, M. DIAPHRAGM			
24	+	123141-03930	1	DIAPHRAGM, METERING			
25	+	123142-03930	1	COVER, M. DIAPHRAGM			

7. Carburetor



KEY	LV	PART NUMBER	Q'TY	DESCRIPTION	REMARKS	NOTE1	NOTE2
26	+	123130-02960	4	SCREW			
27	+	123173-07930	1	CLIP			
28	+	123149-26030	1	WASHER			
29	+	123172-26030	1	SWIVEL			

Index

Patrs Number	Key No.	Patrs Number	Key No.	Patrs Number	Key No.
100000-09563	1 - 4	130301-51730	3 - 8	178810-05230	3 - 9
100011-09560	1 - 5	130302-52131	3 - 16	301016-52730	5 - 20
100013-11520	1 - 6	130310-51830	3 - 15	301200-29430	5 - 17
100014-11520	1 - 8	130406-52131	3 - 17	301207-08930	5 - 23
100015-04630	1 - 7	131004-08960	4 - 1	305110-42030	4 - 7
100204-52132	1 - 11	131005-46831	4 - 4	351012-54330	5 - 27
100212-42031	1 - 12	131016-55830	4 - 2	351213-52130	5 - 19
100215-03930	1 - 13	131051-52430	4 - 3	351305-12360	6 - 32
100215-03930	1 - 13	131205-07320	4 - 15	351315-12360	6 - 33
100242-42030	1 - 15	132010-56330	4 - 12	433022-06460	6 - 56
101010-44332	1 - 3	132011-03360	4 - 14	610013-44730	5 - 26
101011-08961	1 - 1	132012-12360	4 - 13	610217-44730	5 - 13
101503-52131	1 - 25	145642-04930	3 - 27	610246-44730	5 - 14
101514-48930	1 - 19	145818-52130	3 - 21	610272-52130	5 - 28
123000-52133	3 - 6	145862-40630	3 - 24	610903-55230	1 - 29
123000-52133	7 -	145866-42031	3 - 23	610910-55230	1 - 28
123110-43130	7 - 1	145876-42030	3 - 22	610922-27432	1 - 31
123112-09560	7 - 9	156112-40630	2 - 6	610923-55230	1 - 30
123113-52130	7 - 12	156626-52630	2 - 7	699012-03330	5 - 21
123114-38830	7 - 14	156801-44731	2 - 9	699115-04660	6 - 65
123116-53130	7 - 15	159010-10230	2 - 3	699115-07760	6 - 66
123117-52130	7 - 11	159011-03432	2 - 4	699118-04560	6 - 57
123120-52131	7 - 22	159012-03433	2 - 5	880110-10860	6 - 39
123122-39330	7 - 20	159912-54130	1 - 18	890118-49130	2 - 21
123123-03930	7 - 21	162010-52830	2 - 1	890121-47530	3 - 18
123124-43230	7 - 5	163401-55631	5 - 1	890152-04930	5 - 25
123125-09560	7 - 8	175000-56830	2 - 8	890157-39130	5 - 2
123126-10631	7 - 10	175005-48931	1 - 21	890617-12361	5 - 24
123127-15030	7 - 13	177200-42033	2 - 13	895112-00330	6 - 2
123130-02960	7 - 26	177202-44331	2 - 10	895610-00130	6 - 5
123133-04260	7 - 6	177215-44430	2 - 15	895612-03430	6 - 4
123134-04260	7 - 7	177218-44330	2 - 12	898510-39130	6 - 1
123137-19830	7 - 16	177220-42030	2 - 16	898523-12360	6 - 62
123138-03930	7 - 18	177226-10120	2 - 17	900100-05018	5 - 22
123139-03930	7 - 17	177227-42030	2 - 18	900105-05008	6 - 37
123140-03930	7 - 23	177228-06530	2 - 19	900105-05055	3 - 26
123141-03930	7 - 24	177234-42030	2 - 11	900142-05020	5 - 12
123142-03930	7 - 25	177236-44330	2 - 14	900142-05025	1 - 32
123142-09560	7 - 2	178001-56730	5 - 31	900142-05028	6 - 36
123146-10631	7 - 19	178003-52130	5 - 6	900162-04012	6 - 55
123149-26030	7 - 28	178010-52130	5 - 15	900162-04022	2 - 2
123171-35630	7 - 4	178012-52730	5 - 5	900162-05022	1 - 2
123172-26030	7 - 29	178013-52630	5 - 3	900162-05025	6 - 27
123173-07930	7 - 27	178043-42230	5 - 16	900162-05028	1 - 16
123181-09560	7 - 3	178090-52632	5 - 4	900163-04016	1 - 20
129011-52131	3 - 13	178127-50330	5 - 32	900163-04016	1 - 26
130010-05960	3 - 5	178510-51730	3 - 7	900163-04016	2 - 20
130010-42032	3 - 1	178515-05060	3 - 11	900212-04012	6 - 14
130017-42031	3 - 3	178516-00830	3 - 10	900212-05020	6 - 59

Index

Patrs Number	Key No.	Patrs Number	Key No.	Patrs Number	Key No.
900238-05016	1 - 17	C533-000040	6 - 52	X602-000020	6 - 3
900238-05016	4 - 6	C533-000041	6 - 52		
900238-05020	3 - 4	C534-000260	6 - 42		
900242-04010	3 - 20	C538-000100	6 - 61		
900242-05012	6 - 28	C538-000110	6 - 60		
900242-05014	5 - 18	C538-000120	6 - 58		
900242-05025	5 - 9	C539-000010	6 - 54		
900242-05028	5 - 29	P021-002861	6 - 6		
900242-05035	5 - 8	P021-008940	3 - 19		
900242-05057	3 - 14	P021-010460	6 - 7		
900500-00005	3 - 2	P021-010461	6 - 7		
900500-00005	5 - 7	P021-010462	6 - 7		
900500-00005	5 - 7	P021-010463	6 - 7		
900500-00005	5 - 7	P021-010464	6 - 7		
900502-00006	5 - 30	P021-010690	6 - 67		
900516-00005	6 - 40	V104-000160	3 - 25		
900529-00008	6 - 9	V110-000040	6 - 13		
900560-00004	6 - 17	V110-000050	6 - 53		
900560-00005	6 - 34	V110-000051	6 - 53		
900600-00005	3 - 12	V137-000030	4 - 10		
900600-00005	6 - 35	V306-000140	6 - 10		
900603-00005	4 - 5	V307-000150	6 - 43		
900605-00004	6 - 16	V340-000110	6 - 12		
900701-00012	1 - 24	V340-000120	6 - 30		
900702-00022	6 - 22	V340-000170	6 - 26		
900702-00028	1 - 22	V347-000010	6 - 11		
900724-00032	6 - 31	V355-000310	6 - 19		
900800-06001	6 - 49	V450-000420	6 - 20		
900807-96001	1 - 23	V471-001200	4 - 9		
900855-06900	6 - 46	V471-001200	4 - 11		
900859-06900	6 - 24	V541-000130	6 - 41		
93000-16180	6 - 8	V553-000010	1 - 10		
94035-36201	1 - 14	V555-000040	6 - 44		
A011-000101	1 - 9	V583-000040	6 - 47		
A320-000251	3 - 28	V583-000050	6 - 18		
A356-000030	4 - 8	V583-000060	6 - 23		
C050-000440	5 - 10	V642-000020	6 - 21		
C062-000100	5 - 33	V651-000140	6 - 45		
C440-000020	5 - 11	V651-000150	6 - 25		
C465-000000	6 - 15	V651-000160	6 - 48		
C465-000010	6 - 15	V651-000240	6 - 25		
C503-000071	6 - 50	V651-000250	6 - 45		
C503-000072	6 - 50	V651-000260	6 - 48		
C531-000291	6 - 29	X411-000260	6 - 64		
C531-000292	6 - 29	X411-000350	6 - 64		
C531-000301	6 - 38	X425-000170	6 - 63		
C531-000302	6 - 38	X425-000220	6 - 63		
C532-000120	6 - 51	X495-000060	6 - 62		
C532-000140	6 - 51	X503-006300	1 - 27		

YAMABIKO CORPORATION

7-2 SUEHIROCHO 1-CHOME, OHME, TOKYO 198-8760, JAPAN
PHONE: 81-428-32-6118. FAX: 81-428-32-6145.

