



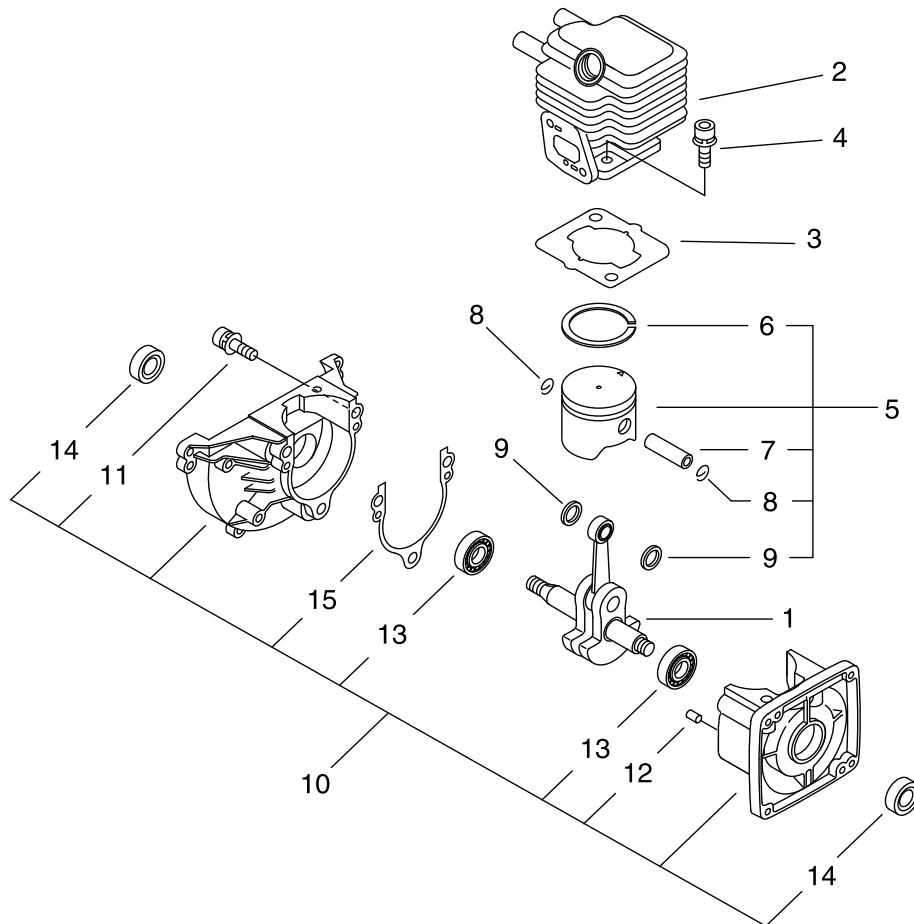
PARTS CATALOGUE

GRASS-TRIMMER / BRUSHCUTTER

GT-222ES(37)

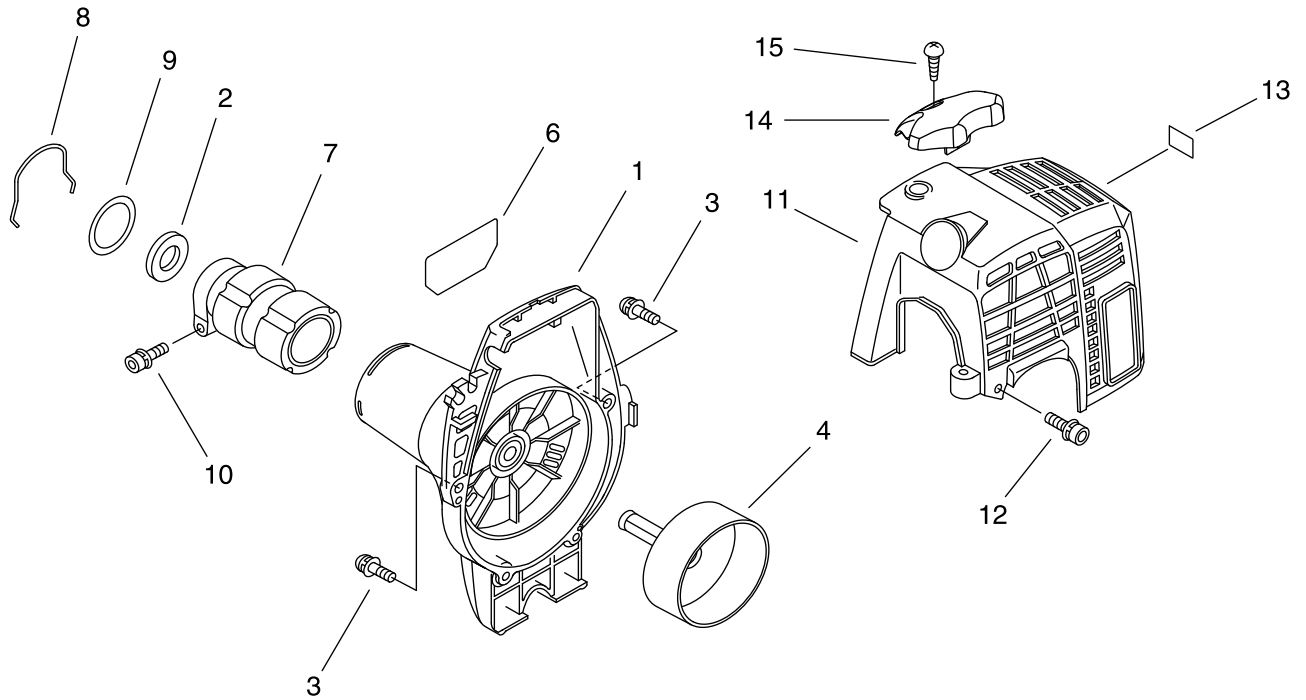
37000001 -

1. CYLINDER, CRANKCASE, PISTON



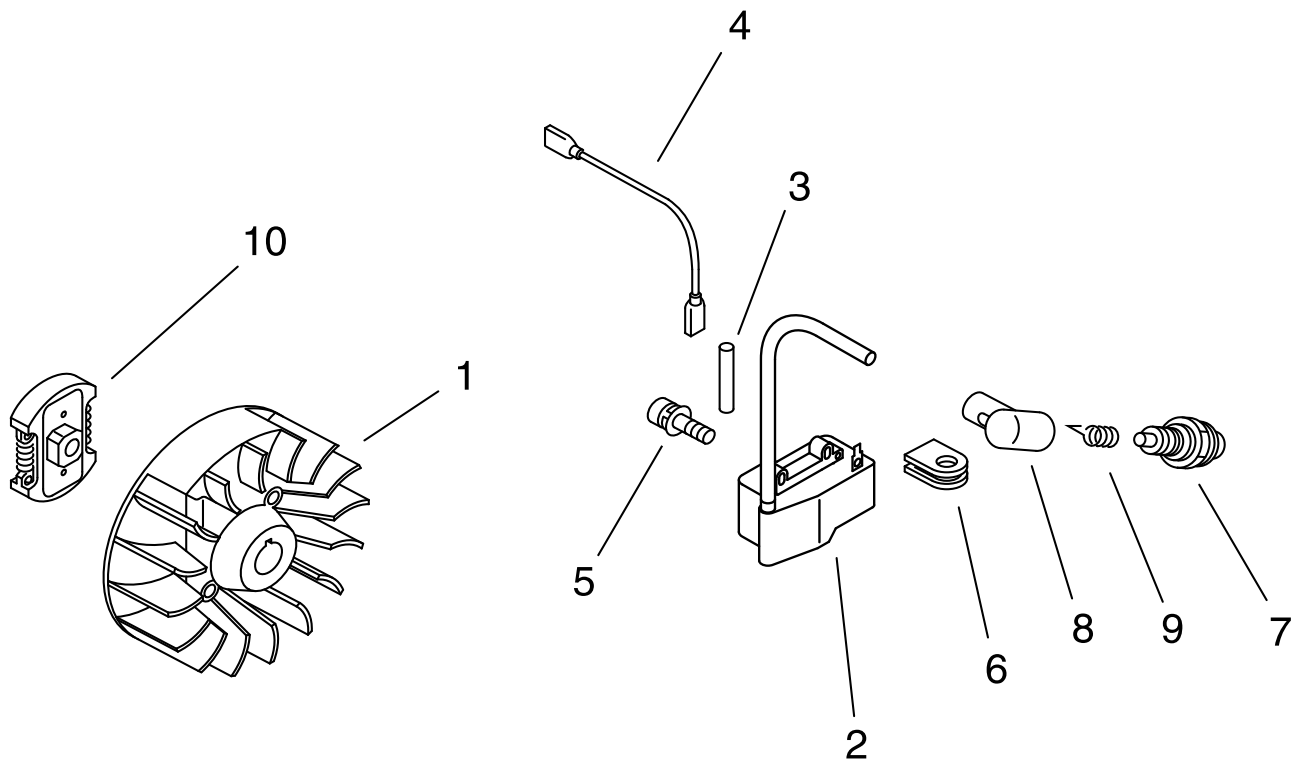
KEY	LV	PART NUMBER	Q'TY	DESCRIPTION	REMARKS	NOTE1	NOTE2
1		A011-000101	1	CRANKSHAFT,ASM			
2		A130-002100	1	CYLINDER			
3		101010-44332	1	GASKET, CYL. BASE			
4		900162-05022	2	BOLT, H.S. 5*22	5*22 W,SW		
5		P021-007712	1	PISTON KIT			
6	+	A101-000090	1	RING,PISTON			
7	+	100013-11520	1	PIN, PISTON			
8	+	100015-04630	2	CIRCLIP, PISTON PIN			
9	+	100014-11520	2	SPACER, PISTON PIN			
10		100204-52133	1	CRANKCASE KIT			
11	+	900162-05028	3	BOLT, H.S. 5*28	5*28 W,SW		
12	+	100215-03930	2	PIN, DOWEL			
13	+	94095-36201	2	BEARING BALL			
14	+	100212-42031	2	OILSEAL	ISCD 12*22*4.5		
15	+	100242-42030	1	GASKET, CRANKCASE			

2. FAN COVER, CYLINDER COVER



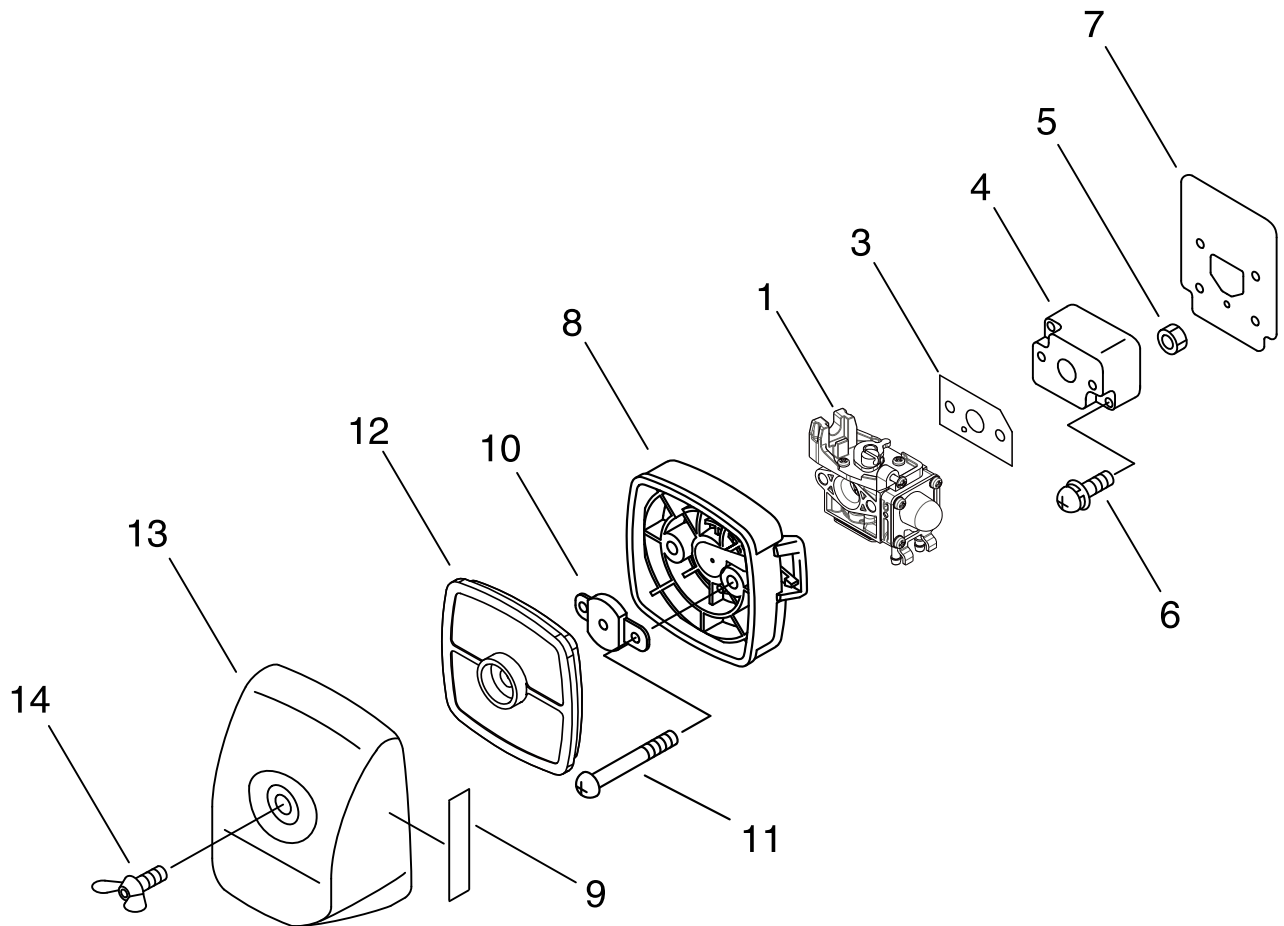
KEY	LV	PART NUMBER	Q'TY	DESCRIPTION	REMARKS	NOTE1	NOTE2
1		A172-000320	1	COVER,FAN			
2		175313-20430	1	RING, FELT			
3		91363-04016	3	SCREW	SMB-4*16/W,SW		
4		175005-44331	1	DRUM, CLUTCH			
6		X547-002300	1	LABEL,ECHO			
7		610922-55931	1	HOLDER, MAIN PIPE			
8		660316-55630	1	CLIP			
9		V315-000030	1	WASHER,CIRCULAR 30	33.5*41.0*T0.5		
10		91118-05028	1	BOLT	CM-5*28		
11		A160-000890	1	COVER,CYLINDER			
12		V202-000090	2	BOLT,4	4*16		
13		X505-002310	1	LABEL,CAUTION	HOT CAUTION		
14		A162-000130	1	GUARD, TOP			
15		900253-05020	1	SCREW 5*20	5*20		

3. MAGNETO



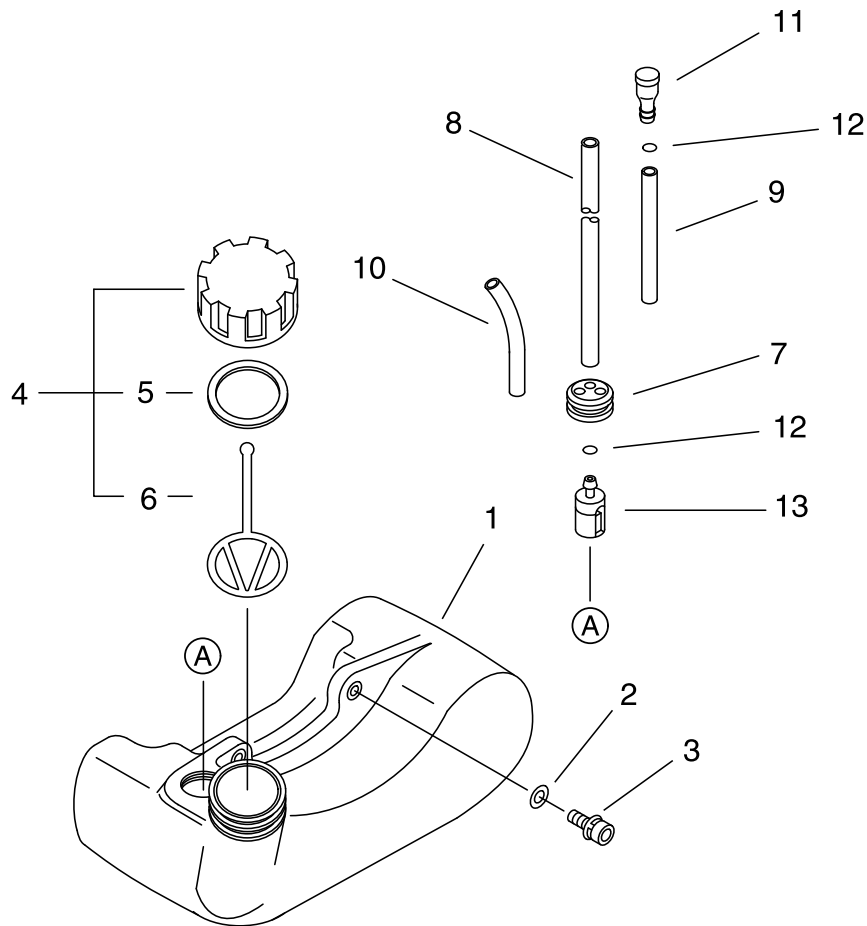
KEY	LV	PART NUMBER	Q'TY	DESCRIPTION	REMARKS	NOTE1	NOTE2
1		A409-000160	1	ROTOR,MAGNETO			
2		A411-000140	1	COIL,IGNITION			
3		V475-007300	1	TUBE			
4		162010-52830	1	LEAD, GROUND			
5		900162-04020	2	BOLT, H.S. 4*20	4*20 W,SW		
6		156112-40630	1	GROMMET			
7		A425-000000	1	SPARKPLUG	BPMR8Y		
8		159012-03433	1	CAP, SPARK PLUG			
9		159011-03432	1	COIL, SPARK PLUG			
10		175000-56831	1	CLUTCH ASSEMBLY			

4. AIR CLEANER



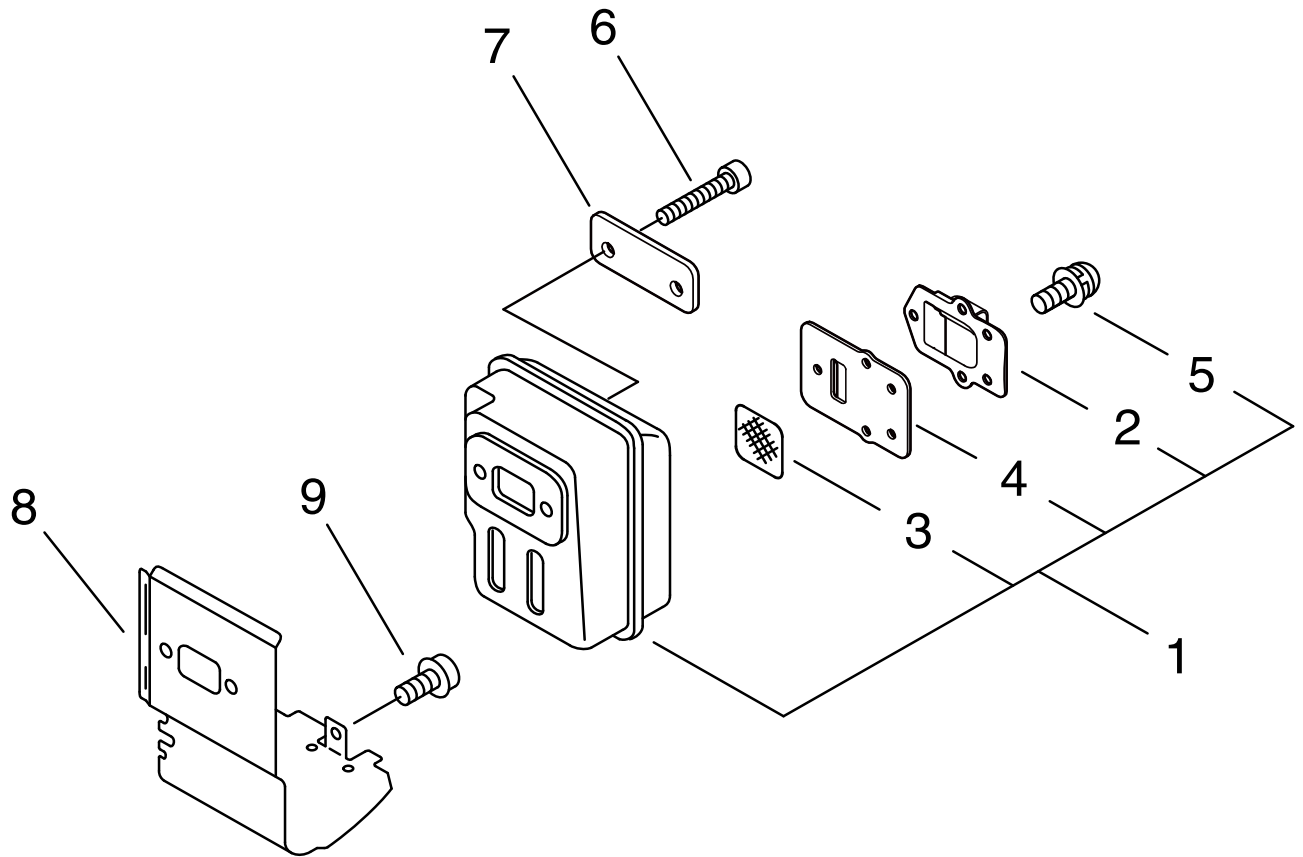
KEY	LV	PART NUMBER	Q'TY	DESCRIPTION	REMARKS	NOTE1	NOTE2
1		A021-003880	1	CARBURETOR,DIAPHRAGM	ZAMA RB-XXX		
3		V103-001390	1	GASKET,INTAKE			
4		130017-44331	1	INSULATOR			
5		900500-00005	2	NUT 5	5		
6		900238-05022	2	SCREW 5*22	5*22		
7		V103-001640	1	GASKET,INTAKE			
8		P021-004480	1	CASE, AIR CLEANER			
9		890332-52730	1	LABEL, CHOKE			
10		129011-52730	1	PLATE, PREVENT			
11		900220-05065	2	SCREW 5*65	5*65		
12		A226-001410	1	ELEMENT,AIR FILTER			
13		130313-05863	1	LID, AIR CLEANER			
14		210417-52730	1	BOLT, WING	5*20		

5. FUEL TANK



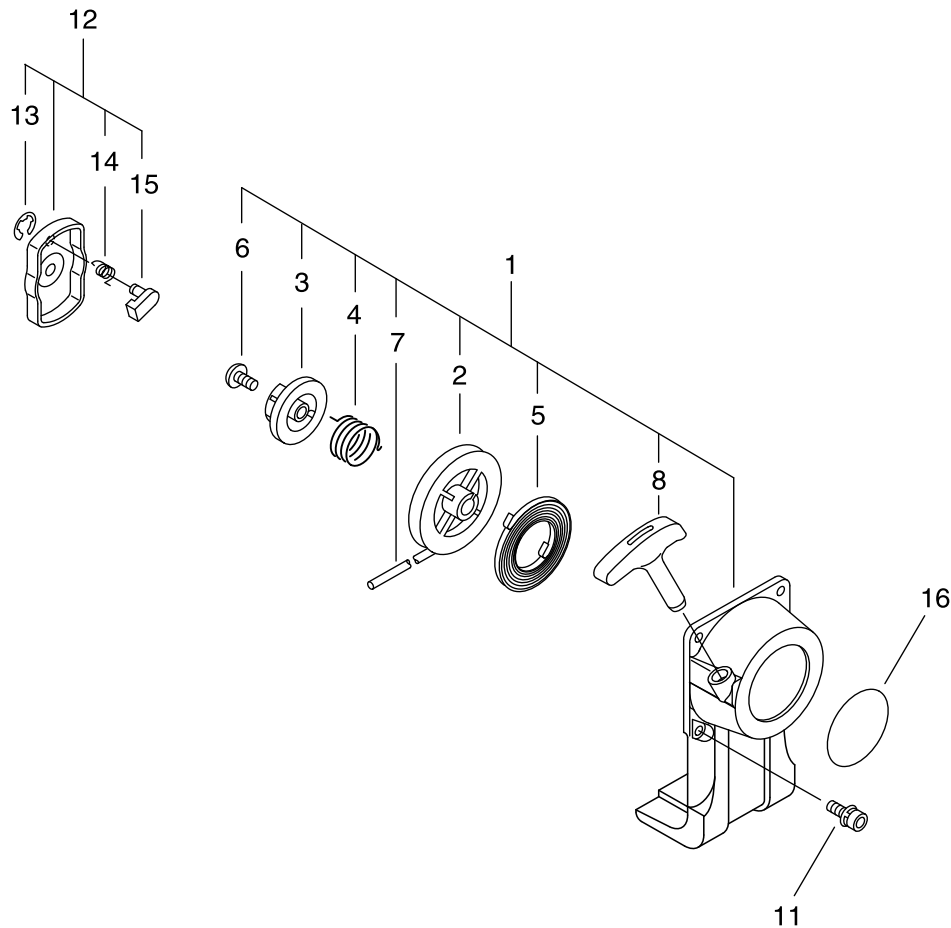
KEY	LV	PART NUMBER	Q'TY	DESCRIPTION	REMARKS	NOTE1	NOTE2
1		A350-000480	1	TANK, FUEL			
2		900603-00005	2	WASHER 5	5.5*12*0.8		
3		91118-05020	2	BOLT	CM-5*20		
4		P021-012210	1	CAP, FUEL ASY			
5	+	131016-55830	1	GASKET, FUEL CAP			
6	+	A365-000060	1	CONNECTOR, CAP	L=123		
7		132115-46730	1	GROMMET, FUEL			
8		V471-001190	1	PIPE	3*5*180 NBR		
9		V471-001200	1	PIPE	3*5*70 NBR		
10		132012-56030	1	PIPE	3*6*80 YL		
11		A356-000031	1	VALVE, CHECK			
12		V490-001240	2	CLIP			
13		131205-07320	1	STRAINER, FUEL			

6. MUFFLER



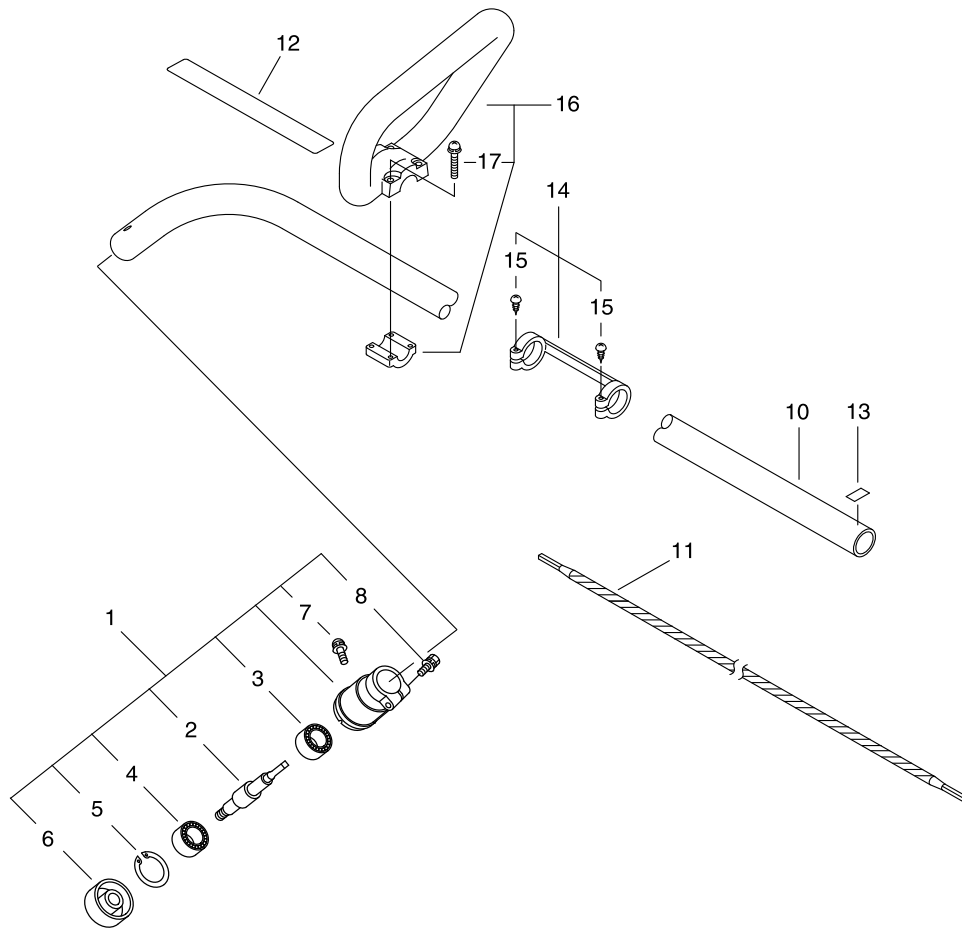
KEY	LV	PART NUMBER	Q'TY	DESCRIPTION	REMARKS	NOTE1	NOTE2
1		P021-037630	1	MUFFLER ASY			
2	+	A313-000600	1	GUIDE,EXH			
3	+	145862-40630	1	SCREEN, MUFFLER			
4	+	V104-001760	1	GASKET,EXHAUST			
5	+	91367-04010	5	SCREW	4*10/SW(SUS)		
6		900105-05055	2	BOLT, H.S. 5*55	5*55		
7		V150-000371	1	PLATE,EYE			
8		V104-000500	1	GASKET,EXHAUST			
9		91121-04008	1	BOLT, FLANGE	M4*8 10.9		

7. RECOIL STARTER



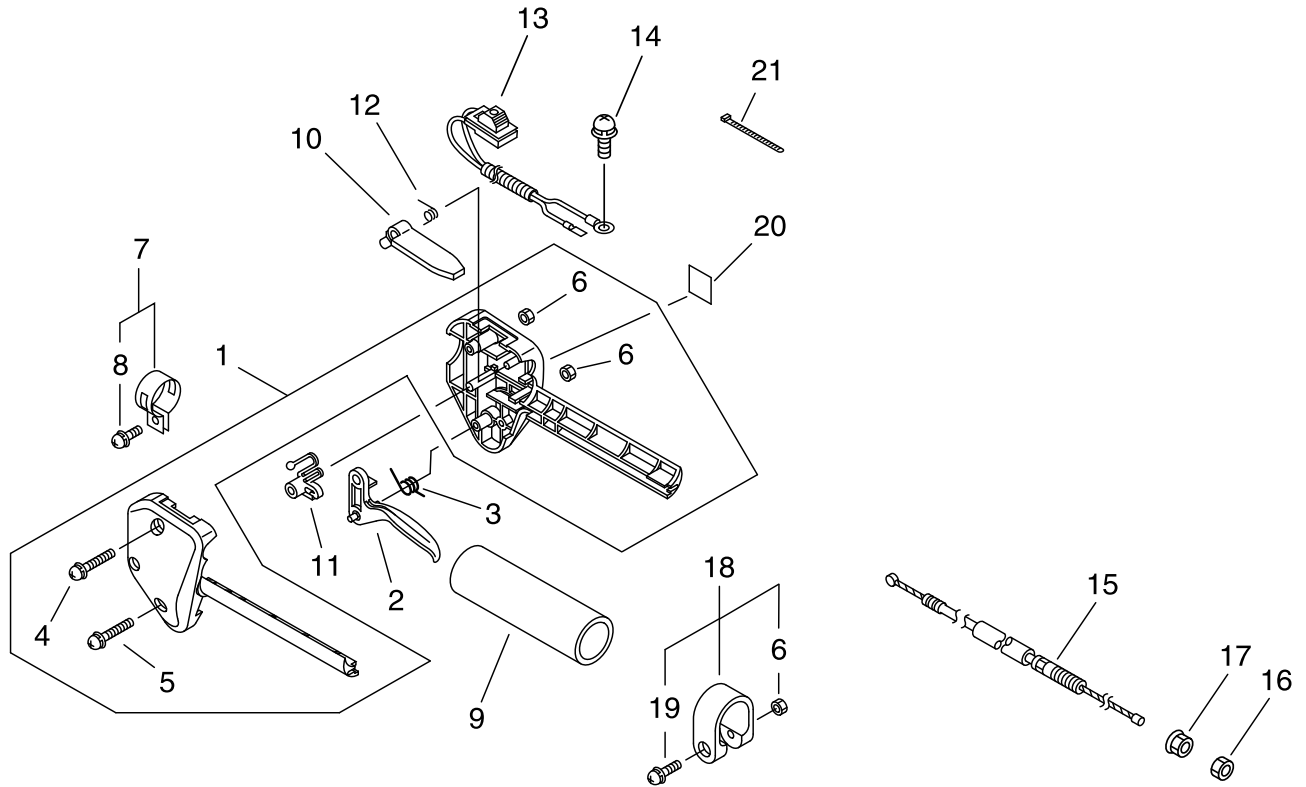
KEY	LV	PART NUMBER	Q'TY	DESCRIPTION	REMARKS	NOTE1	NOTE2
1		A051-001401	1	STARTER,RECOIL ASY	軽ゲリップ全軸		
2	+	P022-034040	1	DRUM, STARTER			
3	+	P022-034030	1	PLATE, CAM			
4	+	P022-008270	1	SPRING,DAMPER			
5	+	P022-019680	1	SPRING, SPIRAL			
6	+	177236-61830	1	SCREW			
7	+	P022-025730	1	ROPE, STARTER			
8	+	P022-023170	1	GRIP, STARTER			
11		V202-000090	2	BOLT, 4	4*16		
12		A052-000180	1	PULLEY,ASM STARTER			
13	+	P022-002100	2	E-RING	4		
14	+	P022-006510	2	SPRING, RETURN			
15	+	P022-006850	2	PAWL, STARTER			
16		X502-000890	1	LABEL,ECHO			

8. MAIN PIPE



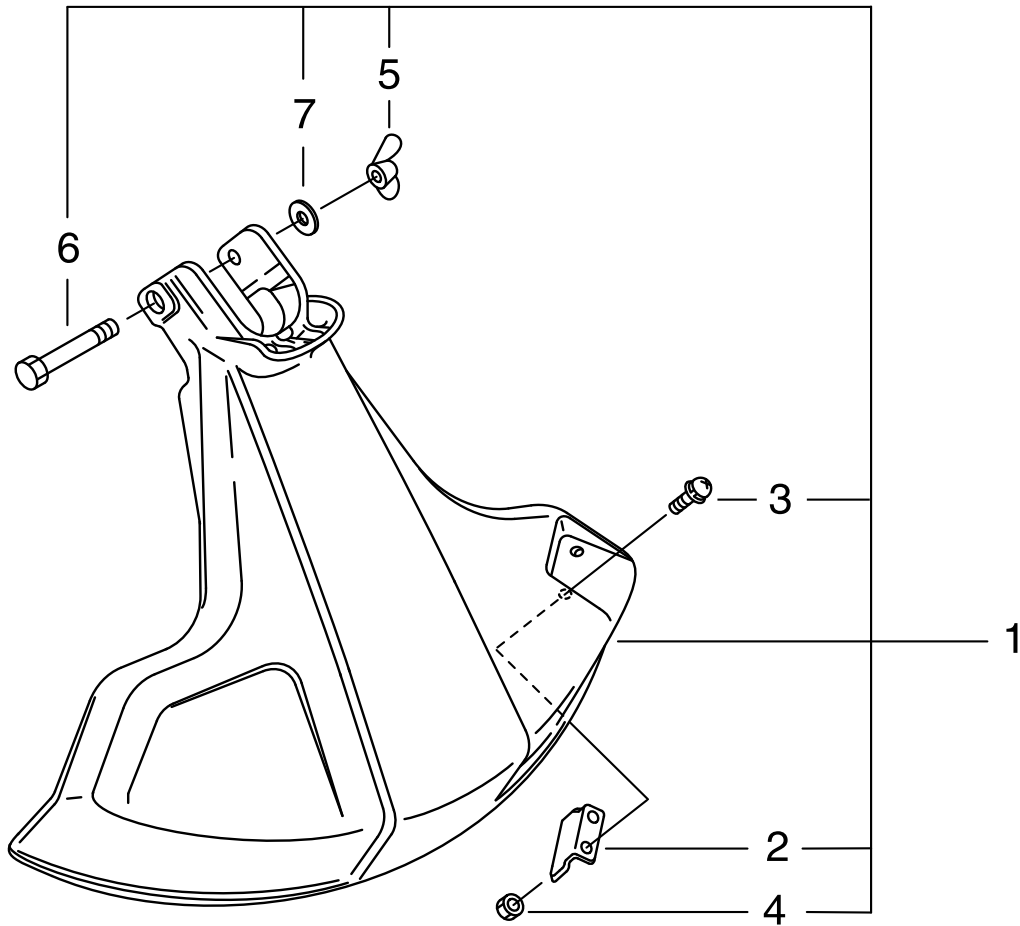
KEY	LV	PART NUMBER	Q'TY	DESCRIPTION	REMARKS	NOTE1	NOTE2
1		P021-009461	1	CASE,ASM BEARING			
2	+	C534-000341	1	SHAFT,GEAR			
3	+	94060-06200	1	BEARING BALL	WEAPON BB6200		
4	+	94061-06200	1	BEARING, BALL	BB6200 LU,DU		
5	+	900702-00030	1	CIRCLIP 30	CR-30		
6	+	C535-000340	1	FIXTURE, BLADE	3/8-24UNF		
7	+	900242-04010	1	SCREW 4*10	4*10		
8	+	91118-05025	1	BOLT			
10		C050-000470	1	PIPE,MAIN			
11		C506-000320	1	SHAFT, FLEXIBLE	3263-002A		
12		X505-000140	1	LABEL,CAUTION			
13		890152-04930	1	LABEL, CAUTION			
14		610281-54131	1	COLLER			
15	+	900253-04025	2	SCREW 4*25	4*25		
16		P021-016090	1	FRONT HANDLE ASY			
17	+	900242-05035	4	SCREW 5*35	5*35		

9. THROTTLE LEVER



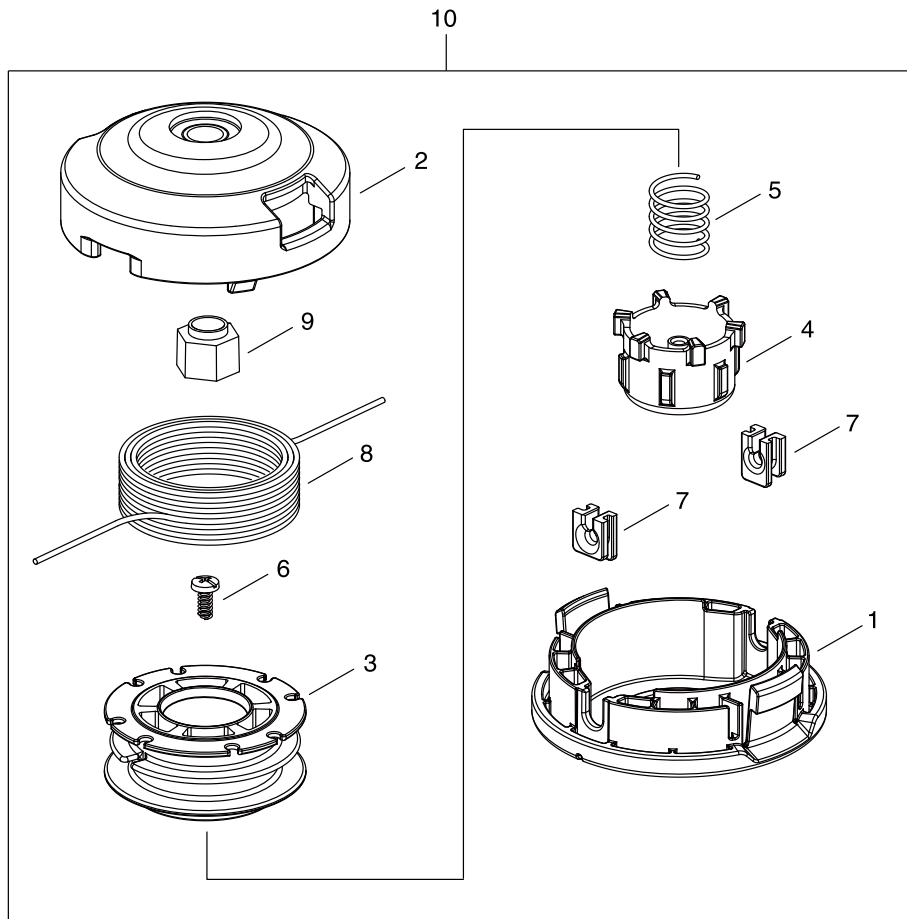
KEY	LV	PART NUMBER	Q'TY	DESCRIPTION	REMARKS	NOTE1	NOTE2
1		178003-52130	1	BRACKET SET,THROTTLE			
4	+	900242-05035	1	SCREW 5*35	5*35		
5	+	900242-05025	1	SCREW 5*25	5*25		
6	+	900500-00005	2	NUT 5	5		
2		178010-52130	1	CONTROL, THROTTLE			
3		178043-42230	1	SPRING, THR. RETURN			
7		301200-29430	1	BAND ASSY			
8	+	900242-05014	1	SCREW 5*14			
9		C403-000140	1	GRIP, HANDLE	L129.5*28		
10		178090-52632	1	LOCKOUT, T. CONTROL			
11		178012-52630	1	LOCKOUT, THROTTLE			
12		178013-52630	1	SPRING, THR. LOCK			
13		A440-000833	1	SWITCH, ON OFF			
14		91363-04016	1	SCREW	SMB-4*16/W,SW		
15		V430-002290	1	CABLE,BOWDEN	330+61		
16		900502-00006	1	NUT 6 (3N)	3N6		
17		900518-00006	1	NUT, FLANGE	6		
18		P021-014550	1	BAND 25			
19	+	900242-05028	1	SCREW 5*28	5*28		
6	+	900500-00005	1	NUT 5	5		
20		890157-39130	1	LABEL, SWITCH			
21		V495-002690	2	BAND	CV-100黒相当		

10. SHIELD



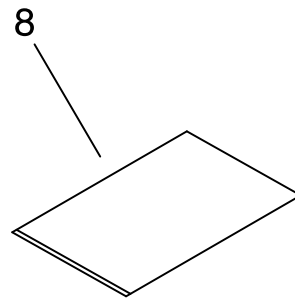
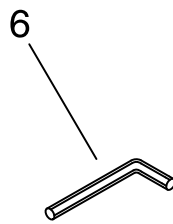
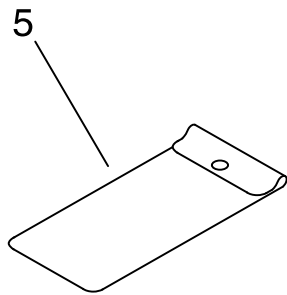
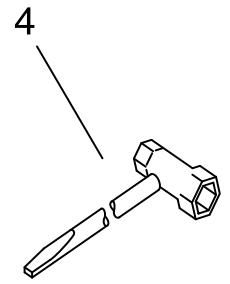
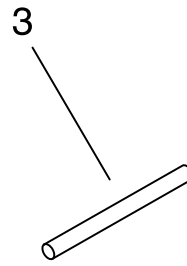
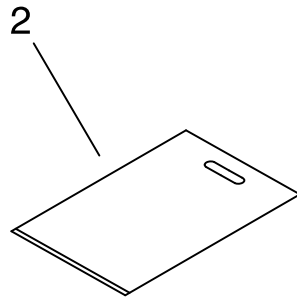
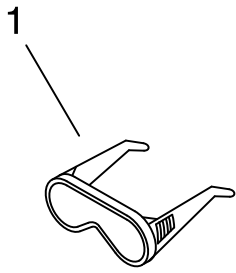
KEY	LV	PART NUMBER	Q'TY	DESCRIPTION	REMARKS	NOTE1	NOTE2
1		P021-009552	1	SHIELD KIT			
2	+	C554-000021	1	KNIFE, CORD			
3	+	900238-05012	2	SCREW 5*12	5*12		
4	+	900500-00005	2	NUT 5	5		
5	+	900033-00008	1	NUT, WING 1/4-20	1/4-20		
6	+	900017-08064	1	BOLT 1/4-20*2A	1/4-20*2A		
7	+	910300-27700	1	WASHER,CIRCULAR 6			

11. NYLON LINE CUTTER



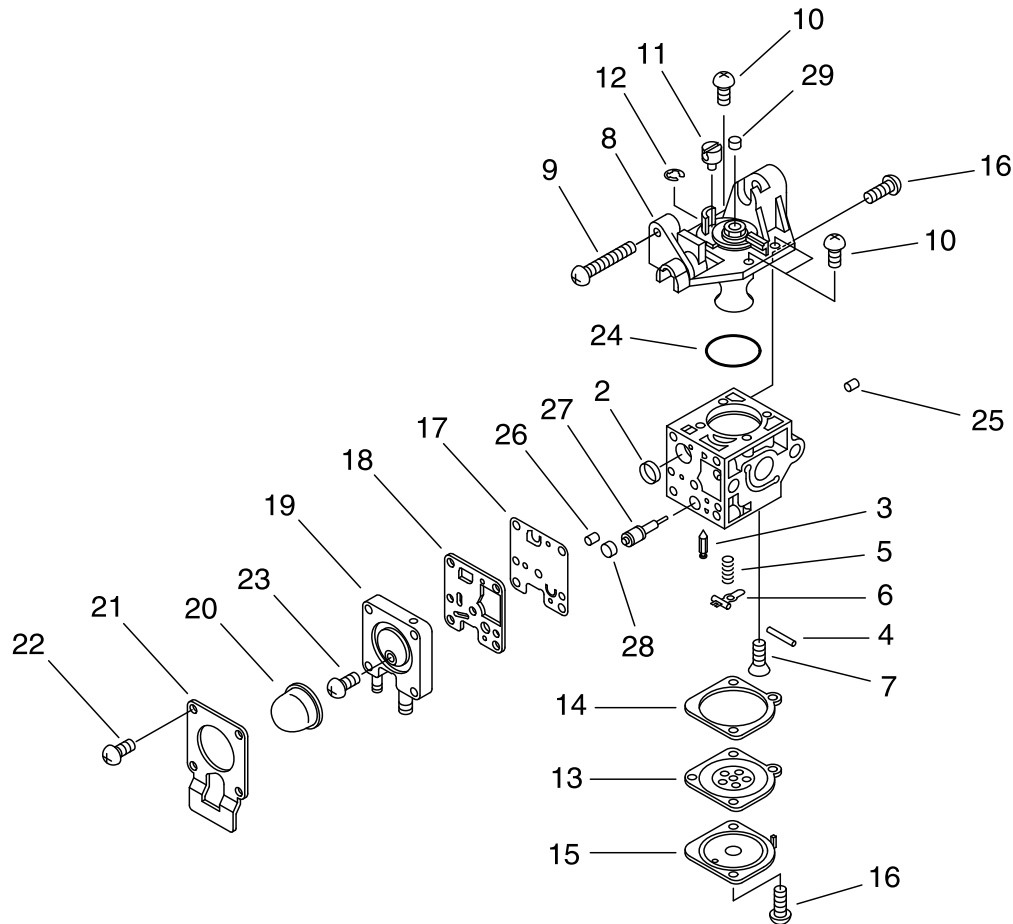
KEY	LV	PART NUMBER	Q'TY	DESCRIPTION	REMARKS	NOTE1	NOTE2
10		X047-000450	1	CUTTER,ASM LINE	G137		
1	+	P022-025530	1	CASE			
2	+	P022-025630	1	COVER			
3	+	P022-025640	1	REEL			
4	+	P022-025560	1	BUTTON			
5	+	P022-025570	1	RETURN SPRING			
6	+	P022-025580	1	SET SCREW			
7	+	P022-025590	2	CORD GUIDE			
8	+	P022-025600	1	NYLON CORD			
9	+	P022-025660	1	SHAFT			

12. ACCESSORIES



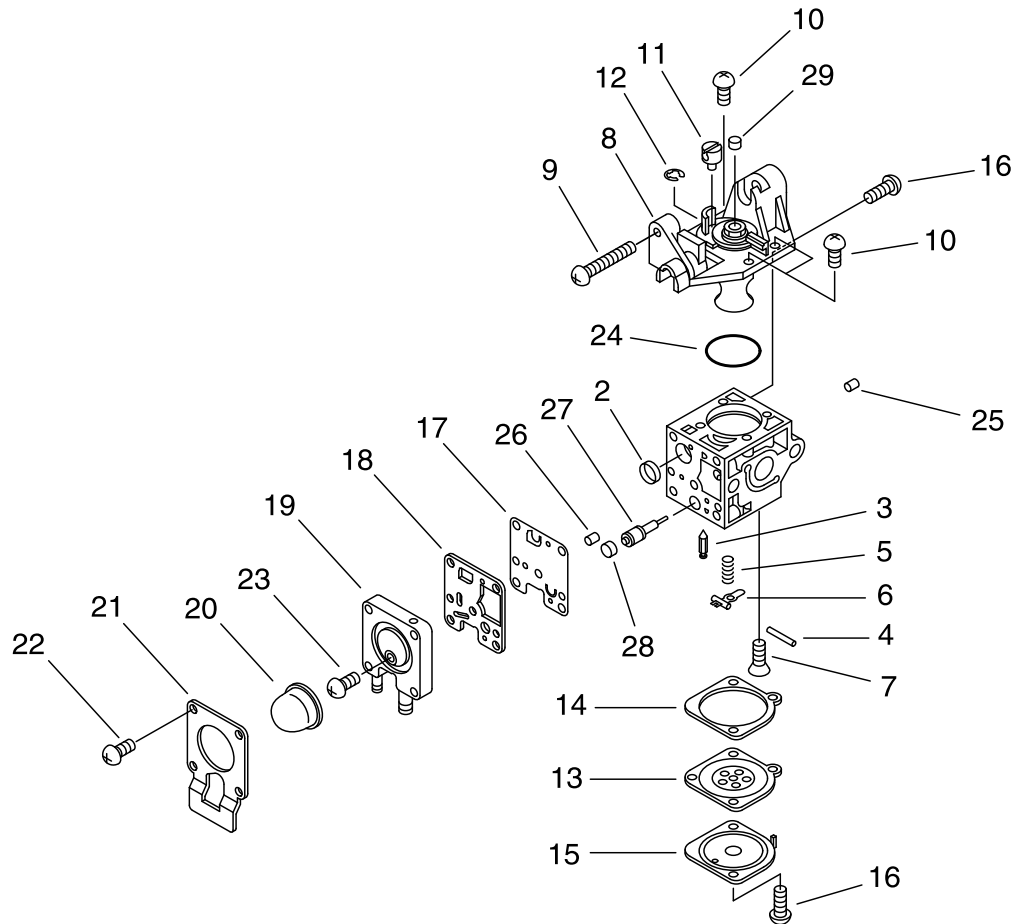
KEY	LV	PART NUMBER	Q'TY	DESCRIPTION	REMARKS	NOTE1	NOTE2
1		X690-000050	1	GOGGLE	GOGGLE + NOTE		
2		X698-000040	1	TOOL,CASE	400*500		
3		X606-000080	1	TOOL,BAR	5*120		
4		895410-02830	1	WRENCH, W/S. DRIVER			
5		898510-07130	1	BAG, TOOL			
6		X605-000100	1	TOOL, L WRENCH	4MM M5㉿		
8		X772-000820	1	MANUAL, OPERATOR			

13. CARBURETOR



KEY	LV	PART NUMBER	Q'TY	DESCRIPTION	REMARKS	NOTE1	NOTE2
		A021-003880	1	CARBURETOR,DIAPHRAGM	ZAMA RB-XXX		
2	+	P005-000010	1	STRAINER			
3	+	125337-08260	1	VALVE, INLET NEEDLE			
4	+	125338-13930	1	PIN, METERING ARM			
5	+	P005-002430	1	SPRING, MET. LEVER			
6	+	125323-08260	1	ARM, VALVE			
7	+	125339-42030	1	SCREW			
8	+	P005-002460	1	COVER ASY, ROTOR			
9	+	P005-000100	1	SCREW,THROTTLEADJUST			
10	+	125344-13931	3	SCREW			
11	+	P005-001240	1	POST			
12	+	P005-000190	1	E-RING			
13	+	P005-002230	1	DIAPHRAGM ,METERING			
14	+	P005-000200	1	GASKET, METERING			
15	+	125342-52130	1	COVER, DIAPHRAGM			
16	+	125344-52130	3	SCREW			
17	+	P005-000510	1	DIAPHRAGM, PUMP			
18	+	P005-000520	1	GASKET, PUMP			
19	+	P005-001890	1	BASE, ASY PRIMER			
20	+	125381-46730	1	PUMP, PRIMING			
21	+	P005-000250	1	RETAINER			
22	+	P005-001900	4	SCREW			
23	+	P005-000270	1	SCREW			
24	+	P005-000280	1	O-RING			
25	+	P005-001000	1	ROLLER, GUIDE			
26	+	P005-001250	1	RETAINER,PLUG BALL			

13. CARBURETOR



KEY	LV	PART NUMBER	Q'TY	DESCRIPTION	REMARKS	NOTE1	NOTE2
27	+	P005-001260	1	SCREW,MAINN MIXTURE			
28	+	P005-001270	1	PLUG, H AJUST SCREW			
29	+	A259-000010	1	CAP,LIMITER			

Index

Patrs Number	Key No.	Patrs Number	Key No.	Patrs Number	Key No.
100013-11520	1 - 7	900033-00008	10 - 5	A356-000031	5 - 11
100014-11520	1 - 9	900105-05055	6 - 6	A365-000060	5 - 6
100015-04630	1 - 8	900162-04020	3 - 5	A409-000160	3 - 1
100204-52133	1 - 10	900162-05022	1 - 4	A411-000140	3 - 2
100212-42031	1 - 14	900162-05028	1 - 11	A425-000000	3 - 7
100215-03930	1 - 12	900220-05065	4 - 11	A440-000833	9 - 13
100242-42030	1 - 15	900238-05012	10 - 3	C050-000470	8 - 10
101010-44332	1 - 3	900238-05022	4 - 6	C403-000140	9 - 9
125323-08260	13 - 6	900242-04010	8 - 7	C506-000320	8 - 11
125337-08260	13 - 3	900242-05014	9 - 8	C534-000341	8 - 2
125338-13930	13 - 4	900242-05025	9 - 5	C535-000340	8 - 6
125339-42030	13 - 7	900242-05028	9 - 19	C554-000021	10 - 2
125342-52130	13 - 15	900242-05035	8 - 17	P005-000010	13 - 2
125344-13931	13 - 10	900242-05035	9 - 4	P005-000100	13 - 9
125344-52130	13 - 16	900253-04025	8 - 15	P005-000190	13 - 12
125381-46730	13 - 20	900253-05020	2 - 15	P005-000200	13 - 14
129011-52730	4 - 10	900500-00005	4 - 5	P005-000250	13 - 21
130017-44331	4 - 4	900500-00005	9 - 6	P005-000270	13 - 23
130313-05863	4 - 13	900500-00005	9 - 6	P005-000280	13 - 24
131016-55830	5 - 5	900500-00005	10 - 4	P005-000510	13 - 17
131205-07320	5 - 13	900502-00006	9 - 16	P005-000520	13 - 18
132012-56030	5 - 10	900518-00006	9 - 17	P005-001000	13 - 25
132115-46730	5 - 7	900603-00005	5 - 2	P005-001240	13 - 11
145862-40630	6 - 3	900702-00030	8 - 5	P005-001250	13 - 26
156112-40630	3 - 6	910300-27700	10 - 7	P005-001260	13 - 27
159011-03432	3 - 9	91118-05020	5 - 3	P005-001270	13 - 28
159012-03433	3 - 8	91118-05025	8 - 8	P005-001890	13 - 19
162010-52830	3 - 4	91118-05028	2 - 10	P005-001900	13 - 22
175000-56831	3 - 10	91121-04008	6 - 9	P005-002230	13 - 13
175005-44331	2 - 4	91363-04016	2 - 3	P005-002430	13 - 5
175313-20430	2 - 2	91363-04016	9 - 14	P005-002460	13 - 8
177236-61830	7 - 6	91367-04010	6 - 5	P021-004480	4 - 8
178003-52130	9 - 1	94060-06200	8 - 3	P021-007712	1 - 5
178010-52130	9 - 2	94061-06200	8 - 4	P021-009461	8 - 1
178012-52630	9 - 11	94095-36201	1 - 13	P021-009552	10 - 1
178013-52630	9 - 12	A011-000101	1 - 1	P021-012210	5 - 4
178043-42230	9 - 3	A021-003880	4 - 1	P021-014550	9 - 18
178090-52632	9 - 10	A021-003880	13 -	P021-016090	8 - 16
210417-52730	4 - 14	A051-001401	7 - 1	P021-037630	6 - 1
301200-29430	9 - 7	A052-000180	7 - 12	P022-002100	7 - 13
610281-54131	8 - 14	A101-000090	1 - 6	P022-006510	7 - 14
610922-55931	2 - 7	A130-002100	1 - 2	P022-006850	7 - 15
660316-55630	2 - 8	A160-000890	2 - 11	P022-008270	7 - 4
890152-04930	8 - 13	A162-000130	2 - 14	P022-019680	7 - 5
890157-39130	9 - 20	A172-000320	2 - 1	P022-023170	7 - 8
890332-52730	4 - 9	A226-001410	4 - 12	P022-025530	11 - 1
895410-02830	12 - 4	A259-000010	13 - 29	P022-025560	11 - 4
898510-07130	12 - 5	A313-000600	6 - 2	P022-025570	11 - 5
900017-08064	10 - 6	A350-000480	5 - 1	P022-025580	11 - 6

Index

Patrs Number	Key No.	Patrs Number	Key No.	Patrs Number	Key No.
P022-025590	11 - 7				
P022-025600	11 - 8				
P022-025630	11 - 2				
P022-025640	11 - 3				
P022-025660	11 - 9				
P022-025730	7 - 7				
P022-034030	7 - 3				
P022-034040	7 - 2				
V103-001390	4 - 3				
V103-001640	4 - 7				
V104-000500	6 - 8				
V104-001760	6 - 4				
V150-000371	6 - 7				
V202-000090	2 - 12				
V202-000090	7 - 11				
V315-000030	2 - 9				
V430-002290	9 - 15				
V471-001190	5 - 8				
V471-001200	5 - 9				
V475-007300	3 - 3				
V490-001240	5 - 12				
V495-002690	9 - 21				
X047-000450	11 - 10				
X502-000890	7 - 16				
X505-000140	8 - 12				
X505-002310	2 - 13				
X547-002300	2 - 6				
X605-000100	12 - 6				
X606-000080	12 - 3				
X690-000050	12 - 1				
X698-000040	12 - 2				
X772-000820	12 - 8				

YAMABIKO CORPORATION

7-2 SUEHIROCHO 1-CHOME, OHME, TOKYO 198-8760, JAPAN
PHONE: 81-428-32-6118. FAX: 81-428-32-6145.



12Eb
No. 04-400