



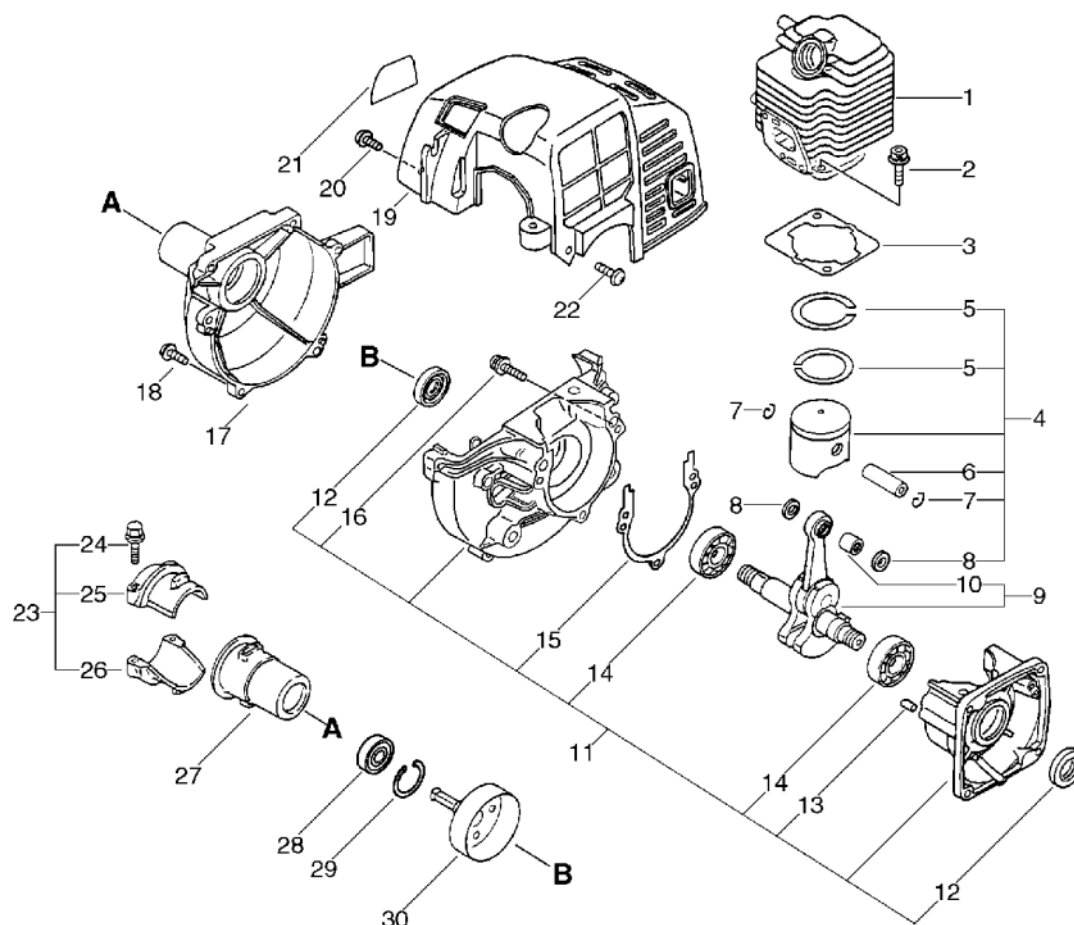
PARTS CATALOGUE

GRASS-TRIMMER / BRUSHCUTTER

GT-2150S

1. Cylinder, Crankcase, Piston, Fan Cover

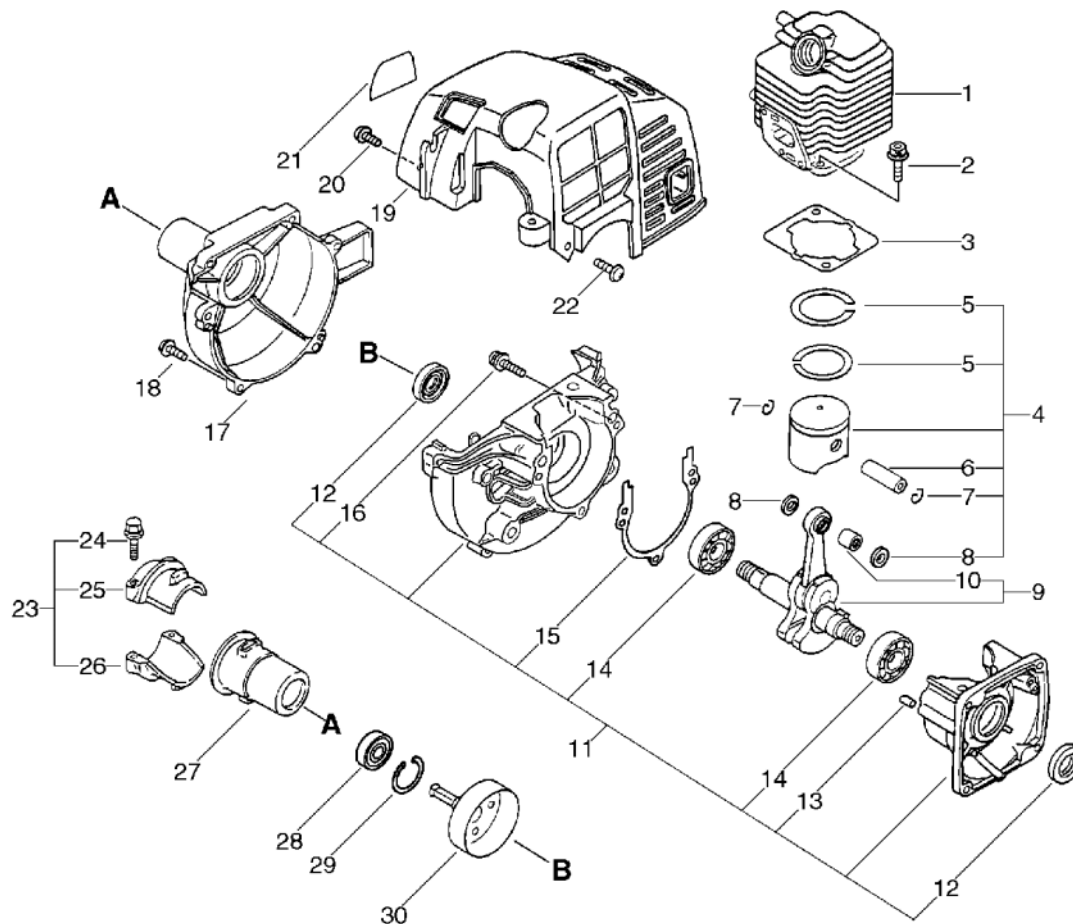
No.1



KEY	LV	PART NUMBER	Q'TY	DESCRIPTION	REMARKS	NOTE1	NOTE2
1		101011-06562	1	CYLINDER			
2		900162-05022	2	BOLT, H.S. 5*22	5*22 W,SW		
3		101010-44332	1	GASKET, CYL. BASE			
4		100000-48732	1	PISTON KIT			
5	+	100011-05330	2	RING, PISTON			
6	+	100013-11520	1	PIN, PISTON			
7	+	100015-04630	2	CIRCLIP, PISTON PIN			
8	+	100014-11520	2	SPACER, PISTON PIN			
9		100100-44733	1	CRANKSHAFT		Sus. by A011-000101	
9		A011-000101	1	CRANKSHAFT,ASM			
10	+	100012-51230	1	BEARING, NEEDLE	8*12*10	Sus. by V553-000010	
10	+	V553-000030	1	BEARING,NEEDLE 8		Sus. by V553-000010	
10	+	V553-000010	1	BEARING,NEEDLE 8	HK0810		
11		100204-52130	1	CRANKCASE KIT		Sus. by 100204-52132	
11		100204-52131	1	CRANKCASE KIT		Sus. by 100204-52132	
11		100204-52132	1	CRANKCASE KIT			
12	+	100212-42030	2	OILSEAL	ISCD12*22*4.5	Sus. by100212-42031	
12	+	100212-42031	2	OILSEAL	ISCD 12*22*4.5		
13	+	100215-03930	2	PIN, DOWEL			

1. Cylinder, Crankcase, Piston, Fan Cover

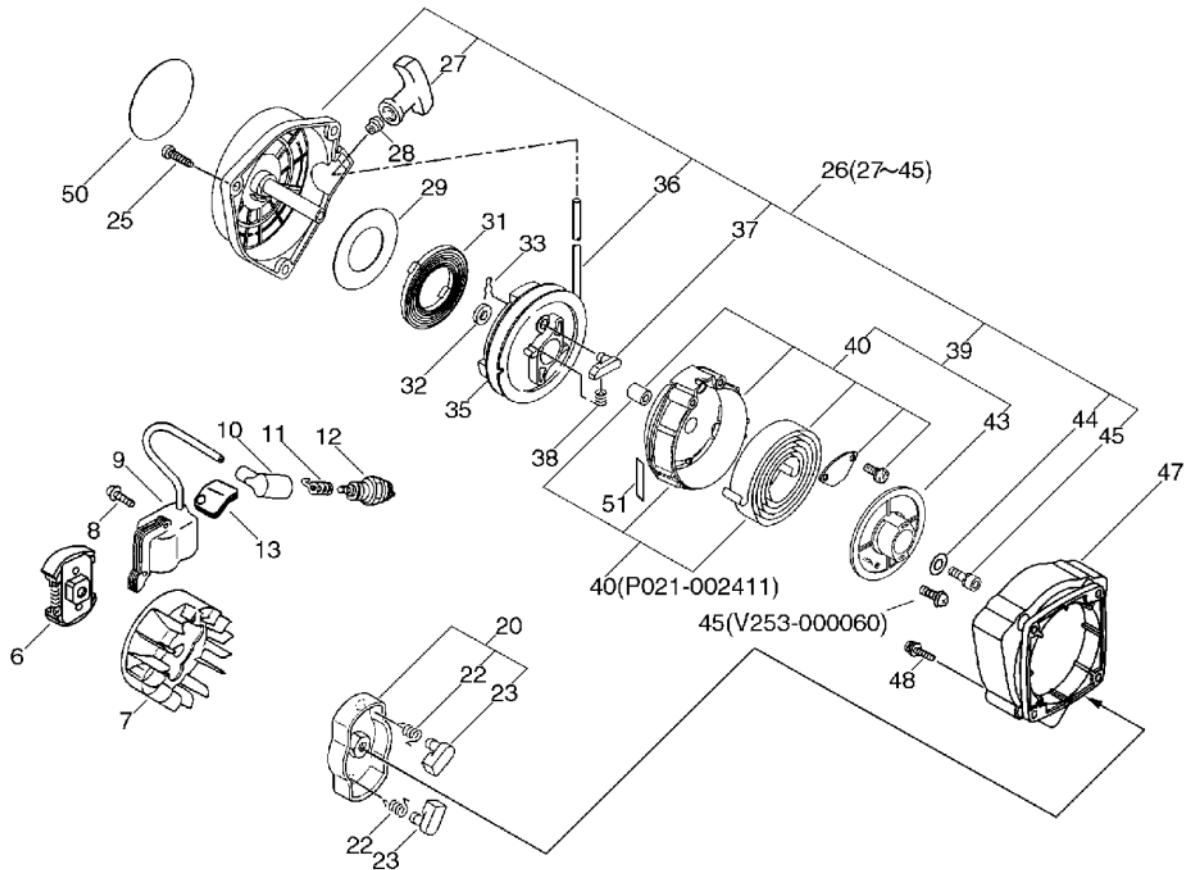
No.1



KEY	LV	PART NUMBER	Q'TY	DESCRIPTION	REMARKS	NOTE1	NOTE2
14	+	94035-36201	2	BEARING BALL	6201X3JR2C3		
15	+	100242-42030	1	GASKET, CRANKCASE			
16	+	900162-05028	3	BOLT, H.S. 5*28	5*28 W,SW		
17		101535-44730	1	COVER, FAN			
18		900238-04016	4	SCREW 4*16	4*16		
19		101514-42031	1	COVER, CYLINDER			
20		900238-04012	2	SCREW 4*12	4*12		
21		X543-000030	1	LABEL,MODEL			
22		900238-04016	2	SCREW 4*16	4*16		
23		610903-51030	1	HOLDER KIT			
24	+	900142-05025	2	BOLT 5*25 (W/W,SW)	5*25		
25	+	610922-51030	1	FIXTURE, MAIN PIPE			
26	+	610923-51030	1	FIXTURE, MAIN PIPE			
27		610910-51030	1	CUSHION			
28		900814-06201	1	BEARING, BALL 6201	6201ZZ		
29		900702-00032	1	CIRCLIP 32	CR-32		
30		175005-44331	1	DRUM, CLUTCH			

2. Starter, Magneto, Clutch

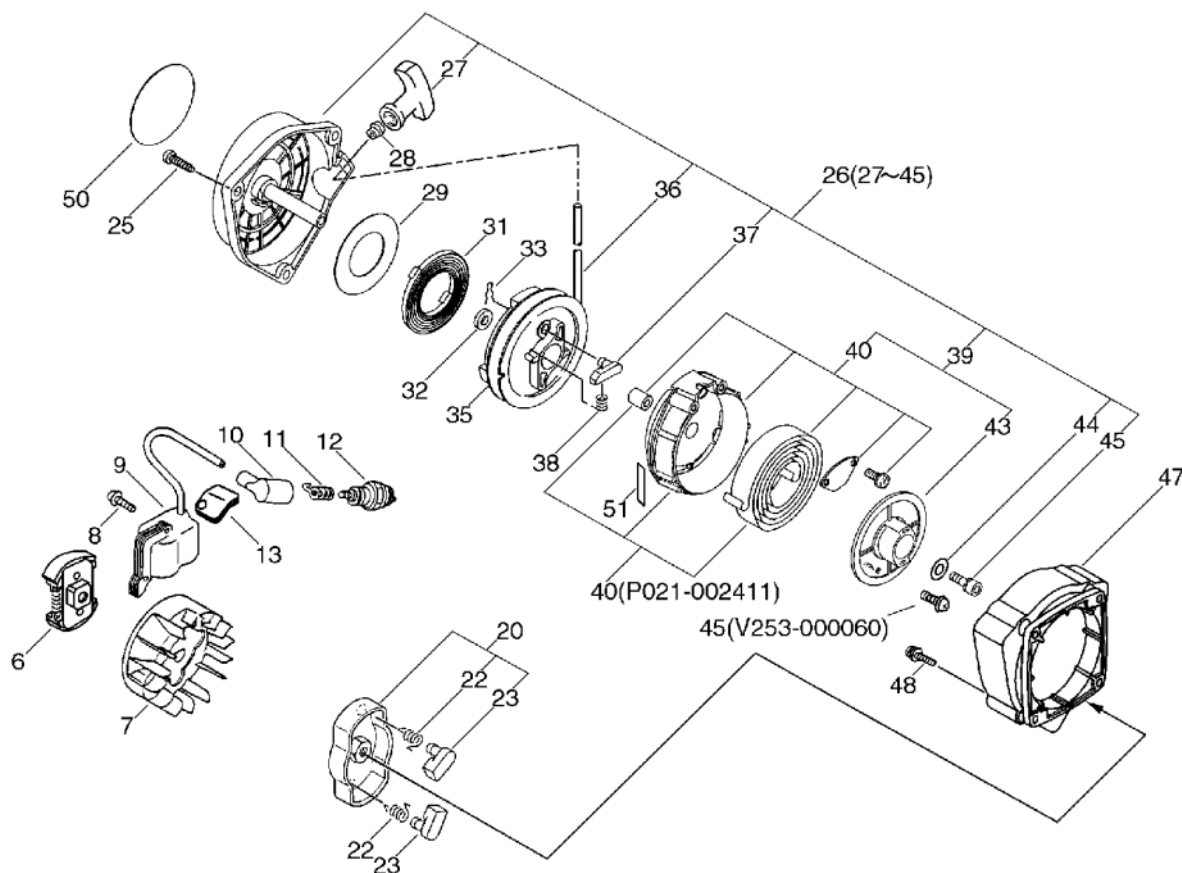
No.2



KEY	LV	PART NUMBER	Q'TY	DESCRIPTION	REMARKS	NOTE1	NOTE2
6		175000-52130	1	CLUTCH ASSY		Sus. by 175000-56830	
6		175000-56830	1	CLUTCH ASSY			
7		156801-44731	1	FLYWHEEL			
8		900162-04022	2	BOLT, H.S. 4*22	4*22 W,SW		
9		156601-44731	1	COIL, IGNITION		Sus. by 156601-44732	
9		156601-44732	1	COIL, IGNITION	EMG-32 2605		
10		159012-01620	1	CAP, SPARK PLUG			
11		159011-03432	1	COIL, SPARK PLUG			
12		159017-10230	1	PLUG, SPARK (RCJ-7Y)	RCJ-7Y		
13		150112-42030	1	BUSHING			
20		177202-12220	1	PAWL ASSY, STARTER			
22	+	177234-12220	2	SPRING, PAWL			
23	+	177218-44330	2	PAWL, STARTER	BLACK		
25		900253-05020	3	SCREW 5*20	5*20		
26		A051-000183	1	STARTER,RECOIL		Sus. by A051-000186	
26		A051-000184	1	STARTER,RECOIL		Sus. by A051-000186	
26		A051-000185	1	STARTER,RECOIL		Sus. by A051-000186	
26		A051-000186	1	STARTER,RECOIL			
27	+	177228-27030	1	GRIP, STARTER			
28	+	177227-42030	1	GUIDE, ROPE			
29	+	A503-000010	1	PLATE,STARTER			

2. Starter, Magneto, Clutch

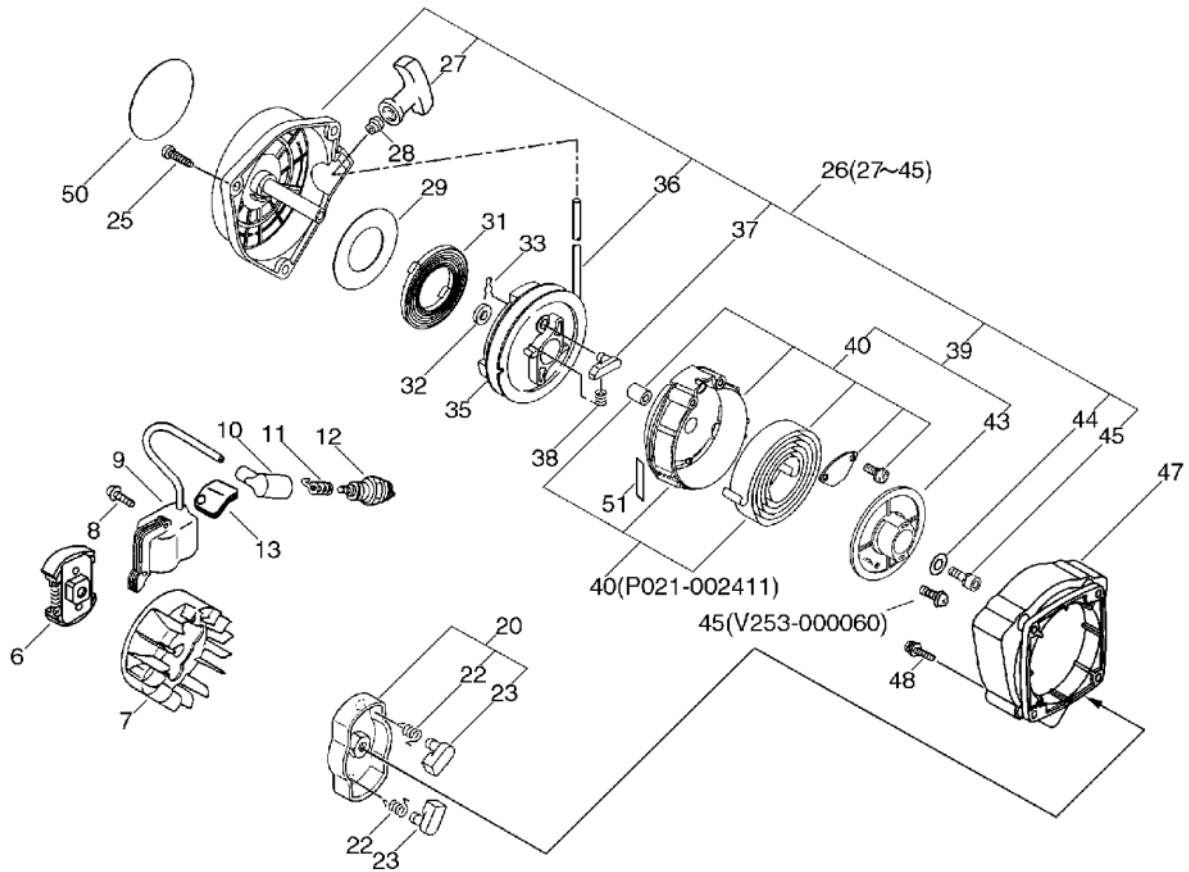
No.2



KEY	LV	PART NUMBER	Q'TY	DESCRIPTION	REMARKS	NOTE1	NOTE2
31	+	A504-000000	1	SPRING, SPIRAL		Sus. by A504-000001	
31	+	A504-000001	1	SPRING, SPIRAL			
32	+	V355-000080	1	COLLAR, 8	8.2*16*3		
33	+	V641-000040	2	PIN, SNAP			
35	+	A506-000010	1	REEL, ROPE			
36	+	177226-10120	1	ROPE, STARTER	3.0*1000		
37	+	A514-000010	2	PAWL			
38	+	V450-000130	2	SPRING, COMPRESSION			
40	+	P021-002411	1	POWER SPRING ASY		Sus. by A053-000010	
39	+	A053-000010	1	SPRING, SET POWER			
40	++	P021-002412	1	POWER SPRING ASY		Sus. by P021-004030	
40	++	P021-004030	1	POWER SPRING ASY			
43	++	A520-000001	1	PULLEY, STARTING		Can be used on the P021-002411 only	
43	++	A520-000002	1	PULLEY, STARTING		Can be used on the P021-002412 only	
44	+	177214-02830	1	WASHER	5.2*16*1.0T	Sus. by V253-000060	
45	+	900105-05012	1	BOLT, H.S. 5*12	5*12	Sus. by V253-000060	
45	+	V253-000060	1	SCREW, 5			

2. Starter, Magneto, Clutch

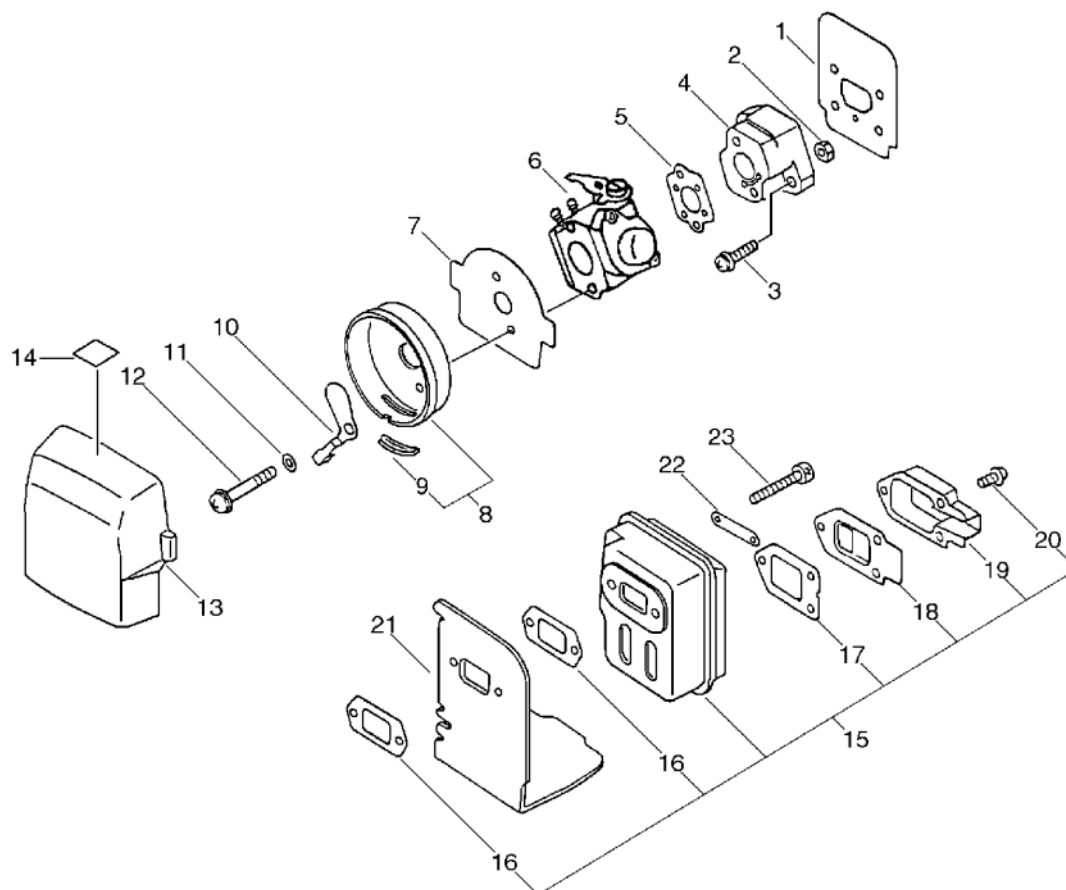
No.2



KEY	LV	PART NUMBER	Q'TY	DESCRIPTION	REMARKS	NOTE1	NOTE2
47		V376-000160	1	SPACER			
48		900162-04016	2	BOLT, H.S. 4*16	4*16 W,SW		
50		X502-000030	1	LABEL,ECHO		Sus. by X502-000032	
50		X502-000031	1	LABEL,ECHO		Sus. by X502-000032	
50		X502-000032	1	LABEL,ECHO			
51		X505-000620	1	LABEL,CAUTION			

3. Air Cleaner, Muffler

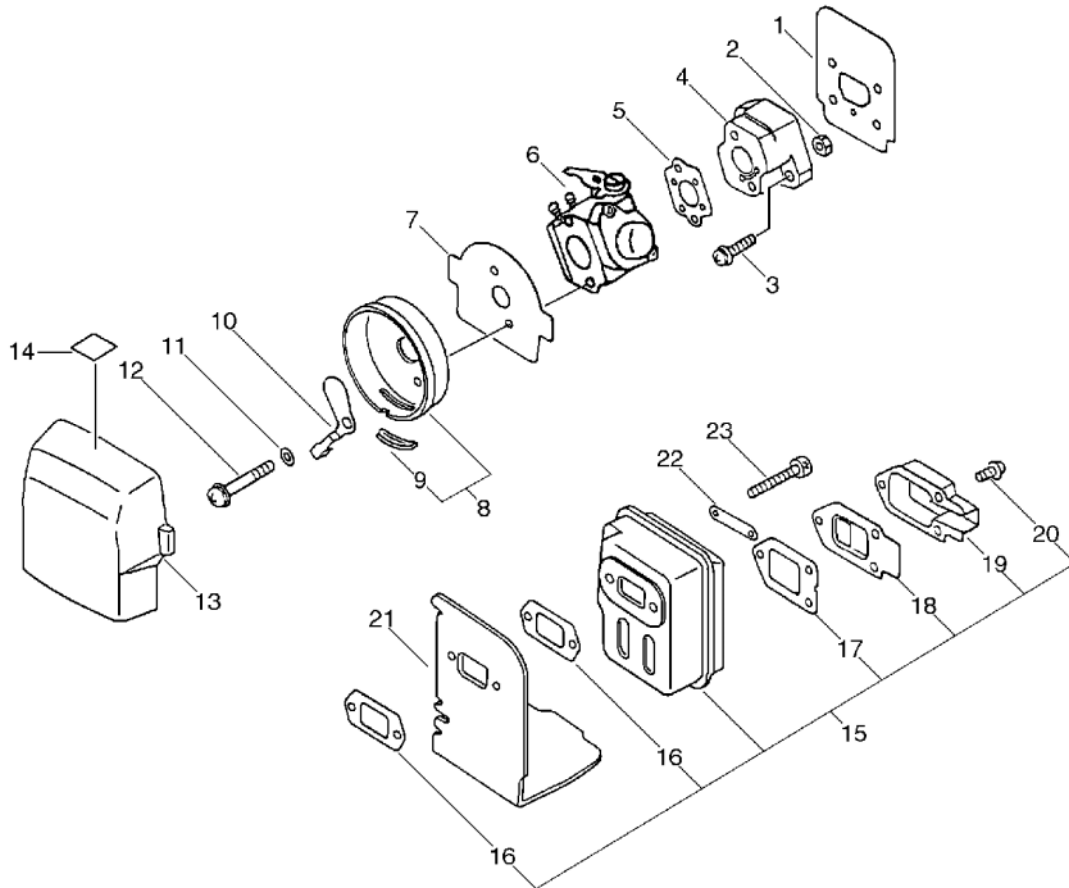
No.3



KEY	LV	PART NUMBER	Q'TY	DESCRIPTION	REMARKS	NOTE1	NOTE2
1		130010-42032	1	GASKET,INTAKE			
2		900500-00005	2	NUT 5	5		
3		900238-05020	2	SCREW 5*20	5*20		
4		130017-42031	1	INSULATOR, INTAKE			
5		130016-42031	1	GASKET, INTAKE			
6		125200-52431	1	CARBURETOR	C1U-K53	Sus. by 125200-52433	
6		125200-52432	1	CARBURETOR	C1U-K53A	Sus. by 125200-52433	
6		125200-52433	1	CARBURETOR	C1U-K53B		
7		130319-42030	1	FIXTURE,AIR CLEANER			
8		130301-42030	1	CASE, AIR CLEANER			
9	+	178810-42030	1	GROMMET, CHOKE			
10		178515-46731	1	SHUTTER, CHOKE	φ3.0		
11		178516-00830	2	SPACER	5.2*8*0.8T		
12		900242-05057	2	SCREW 5*57	5*57		
13		130310-46730	1	FILTER, AIR			
14		890169-47530	1	LABEL, ADJUSTING			
15		P021-000050	1	MUFFLER ASY			
16	+	V104-000160	2	GASKET,EXHAUST			
17	+	145866-42031	1	GASKET, MUFFLER LID			
18	+	145876-42030	1	LID, MUFFLER (B)			
19	+	145863-42030	1	HOLDER, SCREEN			
20	+	900242-04010	3	SCREW 4*10	4*10		
21		145631-42030	1	COVER, MUFFLER		Sus. by A320-000251	

3. Air Cleaner, Muffler

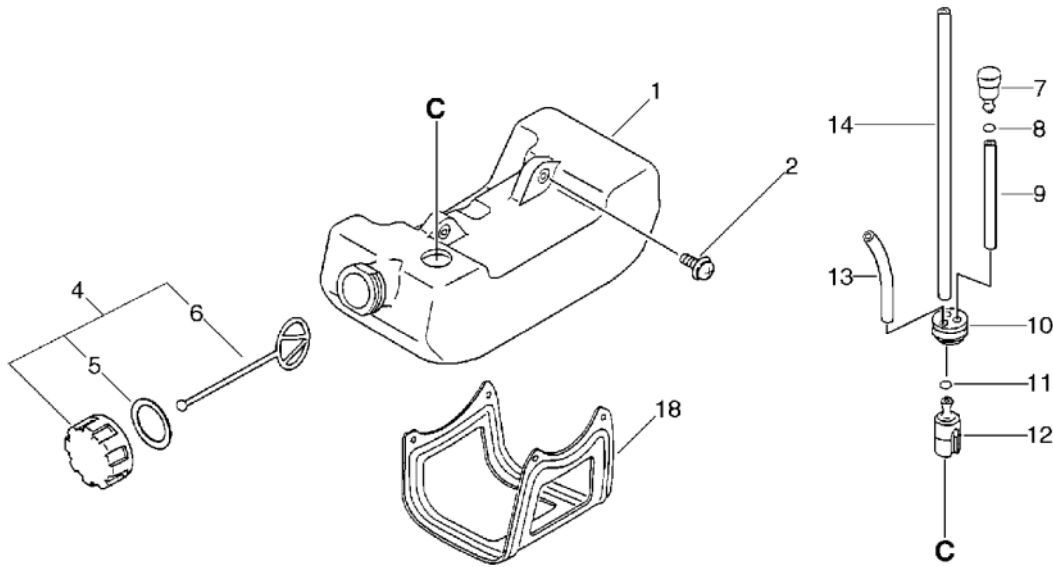
No.3



KEY	LV	PART NUMBER	Q'TY	DESCRIPTION	REMARKS	NOTE1	NOTE2
21		A320-000250	1	COVER,MUFFLER		Sus. by A320-000251	
21		A320-000251	1	COVER,MUFFLER			
22		900600-00005	2	WASHER 5	5	Sus. by 145642-04930	
22		145642-04930	1	WASHER			
23		900105-05055	2	BOLT, H.S. 5*55	5*55		

4. Fuel Tank

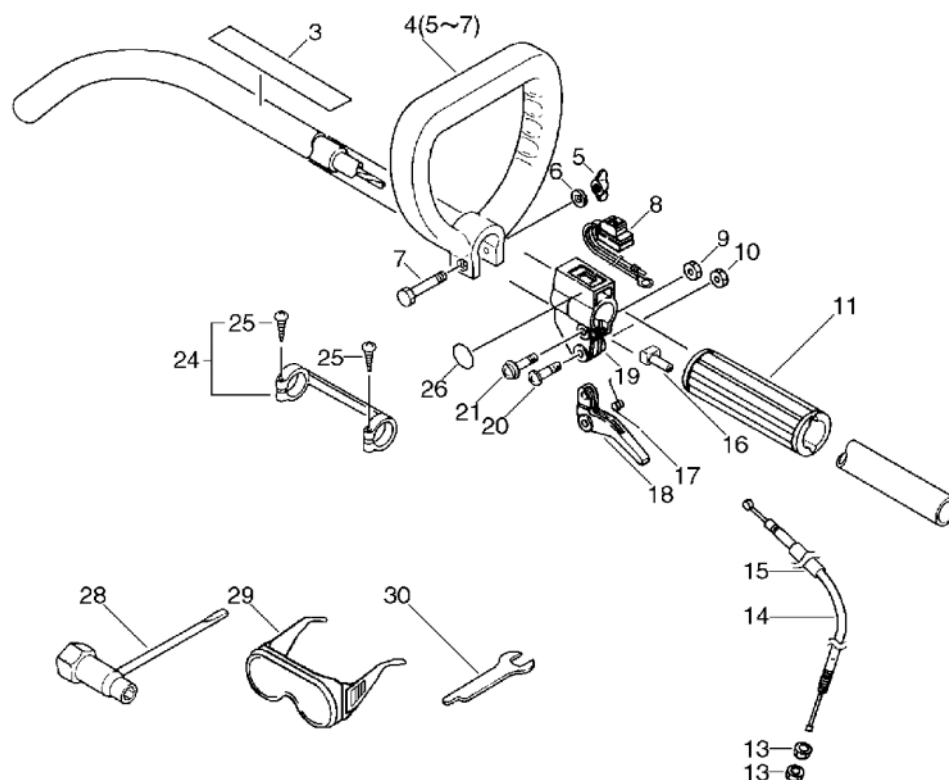
No.4



KEY	LV	PART NUMBER	Q'TY	DESCRIPTION	REMARKS	NOTE1	NOTE2
1		131005-44331	1	TANK, FUEL		Sus. by 131005-44332	
1		131005-44332	1	TANK, FUEL			
2		900243-05016	2	SCREW 5*16	5*16		
4		131004-55530	1	CAP ASSY, FUEL TANK			
5	+	131016-55830	1	GASKET, FUEL CAP			
6	+	131051-56030	1	CLIP, FUEL CAP	100L		
7		131300-56430	1	VALVE, CHECK			
8		130111-00530	1	CLIP	5.5		
9		131312-44330	1	PIPE, 3*5*70L	3*5*70L NBR	Sus. by V471-001200	
9		V471-001200	1	PIPE	3*5*70 NBR		
10		132115-46730	1	GROMMET, FUEL			
11		132013-09820	1	CLIP	6MM		
12		131205-07320	1	STRAINER, FUEL			
13		132010-56330	1	PIPE 3*6*90	3*6*90 YL		
14		132010-13930	1	PIPE, FUEL	3*5*180L NBR	Sus. by V471-001190	
14		V471-001190	1	PIPE	3*5*180 NBR		
18		305110-42030	1	STAND (BL)			

5. Handle, Tools

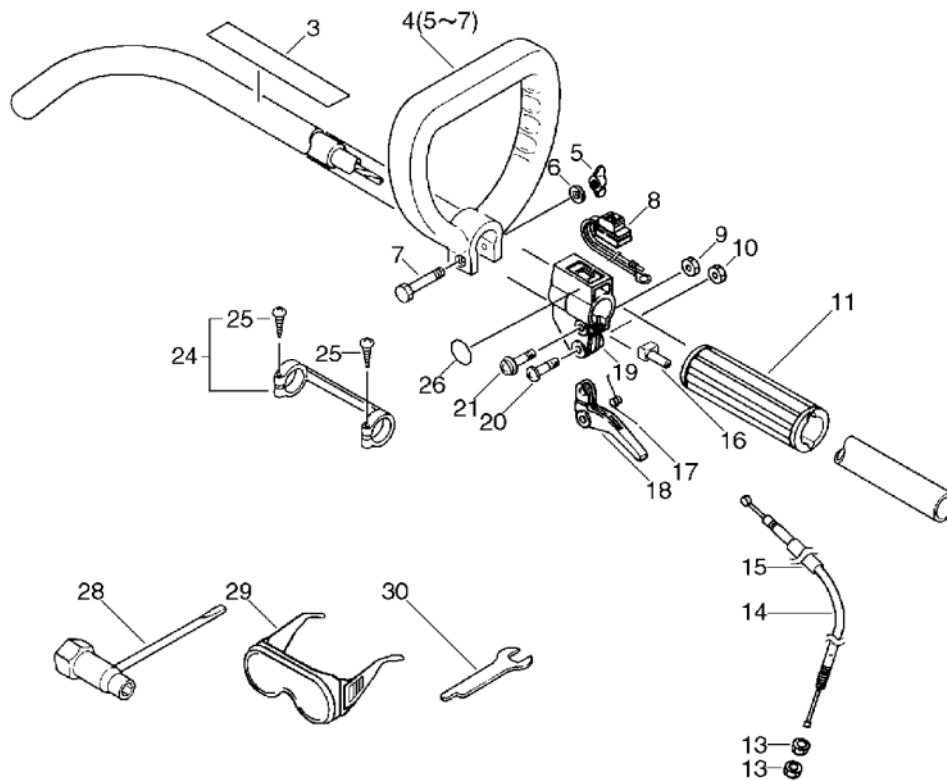
No.5



KEY	LV	PART NUMBER	Q'TY	DESCRIPTION	REMARKS	NOTE1	NOTE2
3		X505-000140	1	LABEL, CAUTION			
4		351600-09630	1	HANDLE ASS'Y			
5	+	900525-00006	1	NUT, WING 6	BN6		
6	+	900600-00006	1	WASHER 6	6		
7	+	900100-06040	1	BOLT 6*40	6*40		
8		163400-49230	1	SWITCH, IGNITION			
9		900500-00005	1	NUT 5	5		
10		900560-00005	1	NUT, LOCK 5	5		
11		351111-09630	1	GRIP		Sus. by 351111-09631	
11		351111-09631	1	GRIP, HANDLE			
13		900502-00006	2	NUT 6 (3N)	3N6		
14		178001-56730	1	CABLE, THROTTLE			
15		178127-24030	1	TUBE	10*11*160		
16		178048-05630	1	HOLDER, THR. WIRE			
17		178043-06930	1	SPRING, THR. RETURN			
18		178010-48731	1	CONTROL, THROTTLE			
19		C470-000000	1	HOLDER, TRIGGER		Sus. by P021-005550	
19		P021-005550	1	HOLDER, TRIGGER SET			
20		178110-05330	1	SCREW			
21		900242-05028	1	SCREW 5*28	5*28		
24		610281-52730	1	COLLER			
25	+	900253-04018	2	SCREW TAPPING 4*18	4*18		
26		890157-39130	1	LABEL, SWITCH			
28		895410-07630	1	WRENCH, W/S DRIVER			

5. Handle, Tools

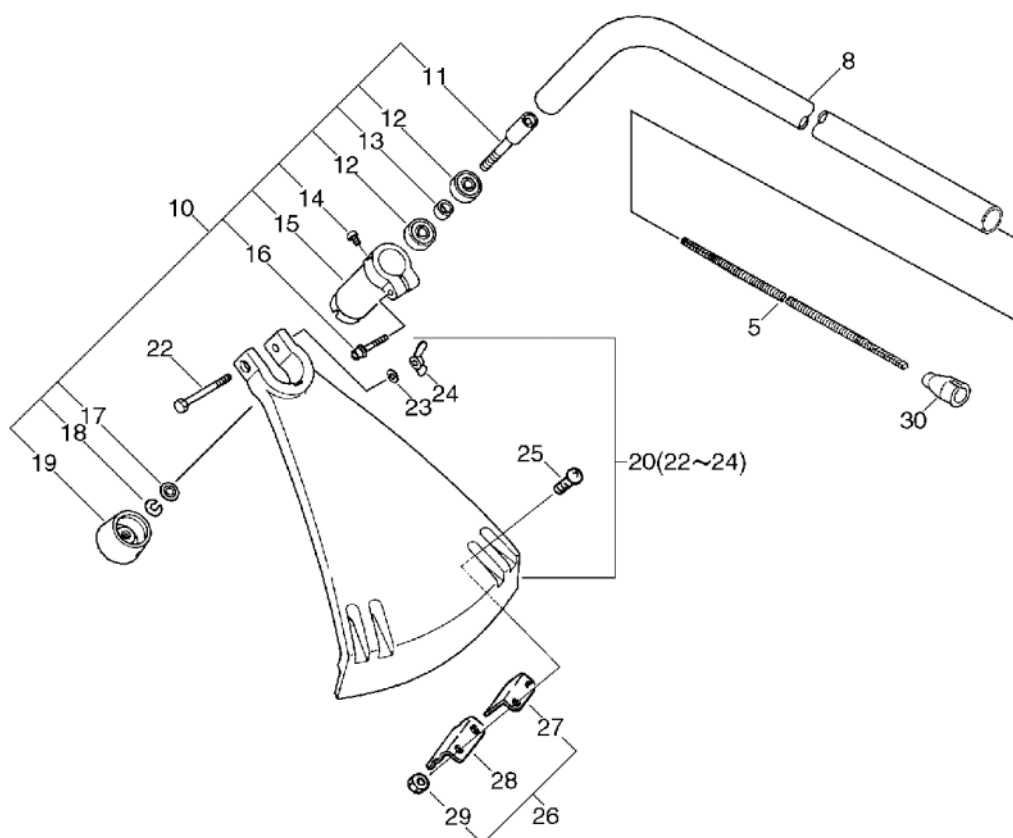
No.5



KEY	LV	PART NUMBER	Q'TY	DESCRIPTION	REMARKS	NOTE1	NOTE2
29		899580-68730	1	SAFETY GLASSES		Sus. by X690-000030	
29		X690-000030	1	GOGGLE			
30		895015-26630	1	SPANNER 10		Sus. by 895015-09631	
30		895015-09631	1	SPANNER 10			

6. Main Pipe, Shield

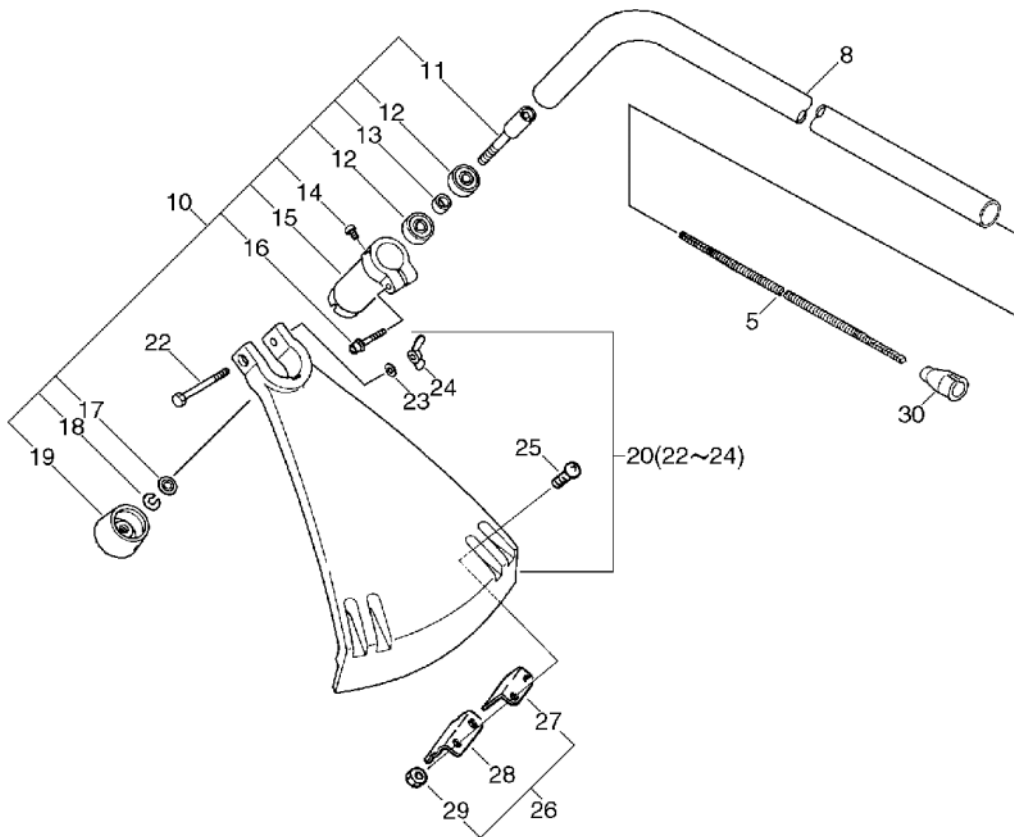
No.6



KEY	LV	PART NUMBER	Q'TY	DESCRIPTION	REMARKS	NOTE1	NOTE2
5		C506-000020	1	SHAFT,FLEXIBLE	5.15*L1365		
8		P021-000140	1	MAIN PIPE ASY		Sus. by P021-003520	
8		P021-003520	1	MAIN PIPE ASY			
10		610400-47930	1	HOUSING ASSY, GEAR			
11	+	610310-47930	1	SHAFT, P.T.O.			
12	+	900802-00608	2	BEARING, BALL 608	608DDU(LLU)		
13	+	V355-000040	1	COLLAR,8	8X5X(T0.9)		
14	+	91030-05010	1	BOLT	5*10L		
15	+	610410-47930	1	CASE, GEAR			
16	+	91032-05030	1	BOLT	5*30L W/SW		
17	+	610318-47930	1	WASHER, ADJUSTMENT			
18	+	900605-00008	1	WASHER, SPRING 8	8		
19	+	610313-47930	1	PLATE, ADAPTER			
20		699000-47930	1	SHIELD ASSY			
22	+	900100-06045	1	BOLT 6*45	6*45		
23	+	900600-00006	1	WASHER 6	6		
24	+	900525-00006	1	NUT, WING 6	BN6		
25		900242-05014	2	SCREW 5*14	5*14		
26		P021-006080	1	KNIFE, CODE KIT			
27		699016-23231	1	CUTTER		Sus. by P021-006080	
27	+	699016-44330	1	CUTTER			
28		699212-23230	1	PROTECTOR		Can not be used on P021-006080	

6. Main Pipe, Shield

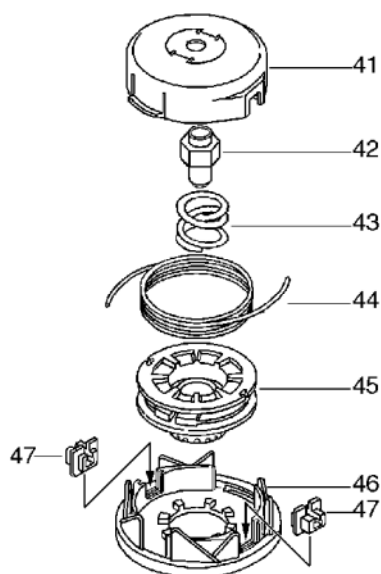
No.6



KEY	LV	PART NUMBER	Q'TY	DESCRIPTION	REMARKS	NOTE1	NOTE2
29	+	900500-00005	2	NUT 5	5		
30		A562-000000	1	STOPPER,PIPE			

7. Nylon Line Cutting Head

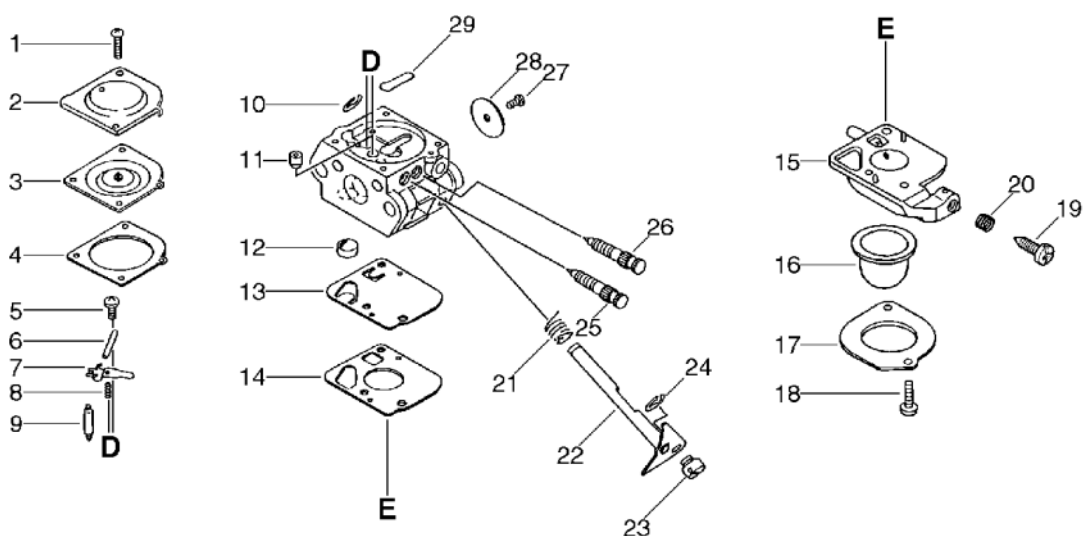
No.7



KEY	LV	PART NUMBER	Q'TY	DESCRIPTION	REMARKS	NOTE1	NOTE2
		X047-000170	1	CUTTER,ASM LINE	F4/8R M8R	Sus. by X047-000242	
		X047-000171	1	CUTTER,ASM LINE	F4/8R M8R	Sus. by X047-000242	
		X047-000240	1	CUTTER,ASM LINE	F4/8 M8R サイレント	Sus. by X047-000242	
		X047-000241	1	CUTTER,ASM LINE	F4/8R サイレント 2.4	Sus. by X047-000242	
		X047-000242	1	CUTTER,ASM LINE	F4/8R	F-4/8R	
41	+	P022-002900	1	HOUSING		Sus. by P022-003320	
41	+	P022-003320	1	HOUSING			
42	+	P022-001280	1	NUT	DS-3/8R		
43	+	P022-001290	1	SPRING	DS-3/8R		
44	+	P022-001230	1	NYLON CODE		Sus. By P022-006570	
44	+	P022-006190	1	NYLON CODE	3.0*2M	Sus. By P022-006570	
44	+	P022-006570	1	NYLON CODE	サイレントライン 2.4*2M		
45	+	P022-001300	1	BOBBIN	DS-3/8R		
46	+	P022-002860	1	COVER		Sus. by P022-003330	
46	+	P022-003330	1	COVER			
47	+	P022-000710	2	EYELET	T4		

8. Carburetor

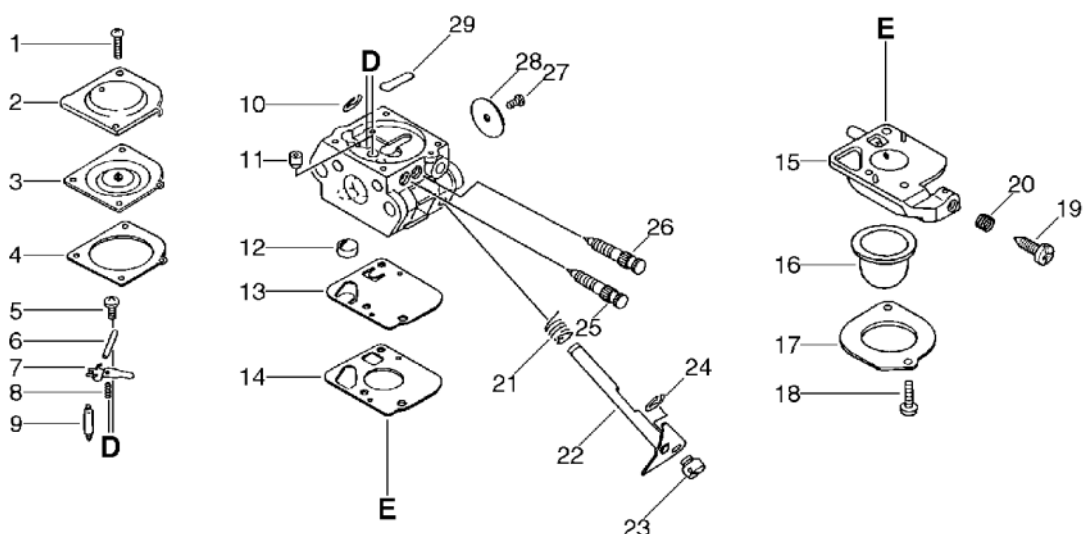
No.8



KEY	LV	PART NUMBER	Q'TY	DESCRIPTION	REMARKS	NOTE1	NOTE2
		125200-52431	1	CARBURETOR	C1U-K53	Sus. by 125200-52433	
		125200-52432	1	CARBURETOR	C1U-K53A	Sus. by 125200-52433	
		125200-52433	1	CARBURETOR	C1U-K53B		
1	+	125344-52130	2	SCREW			
2	+	125342-13210	1	COVER, DIAPHRAGM		Sus. by 125342-52130	
2	+	125342-52130	1	COVER, DIAPHRAGM			
3	+	125341-49030	1	DIAPHRAGM			
4	+	125340-51030	1	GASKET, DIAPHRAGM			
5	+	125339-42030	1	SCREW			
6	+	125338-13930	1	PIN, METERING ARM			
7	+	125323-42030	1	LEVER, METERING			
8	+	125322-42030	1	SPRING, COIL		Sus. by 125322-11520	
8	+	125322-11520	1	SPRING, COIL			
9	+	125337-06960	1	VALVE, INLET NEEDLE			
10	+	125327-15130	1	CLIP			
11	+	125376-49030	1	NOZZLE, CHACK VALVE		Sus. by P005-001050	
11	+	P005-001050	1	NOZZLE, CHECK VALVE			
12	+	125326-42030	1	STRAINER			
13	+	125312-12820	1	DIAPHRAGM, FUEL PUMP			
14	+	125325-13310	1	GASKET, PUMP			
15	+	P005-000590	1	BASE, ASY PRIMER			

8. Carburetor

No.8



KEY	LV	PART NUMBER	Q'TY	DESCRIPTION	REMARKS	NOTE1	NOTE2
16	+	125381-08660	1	PUMP, PRIMING			
17	+	125363-11610	1	RING			
18	+	125310-11610	2	SCREW			
19	+	125334-06960	1	SCREW, THROTTLE ADJUST			
20	+	125333-06960	1	SPRING, IDLE ADJUSTER			
21	+	125313-42030	1	SPRING, THRT. RETURN			
22	+	P005-000390	1	SHAFT, THROTTLE			
23	+	125372-42030	1	SWIVEL			
24	+	125327-13930	1	CLIP			
25	+	125320-52430	1	NEEDLE, HIGH SPEED		Can be used on 125200- 52431,52432	
25	+	P005-001710	1	SCREW, MAIN MIXTURE		Can be used on 125200-52433 only	
26	+	125318-52430	1	NEEDLE, IDLE		Can be used on 125200- 52431,52432	
26	+	P005-001720	1	SCREW, IDLE MIXTURE		Can be used on 125200-52433 only	
27	+	125314-13930	1	SCREW	3*4		
28	+	125316-49030	1	VALVE, THROTTLE			
29	+	125345-15130	1	PLUG, WELCH			

9. Repair Kit

KEY	LV	PART NUMBER	Q'TY	DESCRIPTION	REMARKS	NOTE1	NOTE2
		125303-13310	1	DIAPHRAGM/GASKET KIT			
8-3	+	125341-49030	1	DIAPHRAGM			
8-4	+	125340-51030	1	GASKET, DIAPHRAGM			
8-13	+	125312-12820	1	DIAPHRAGM, FUEL PUMP			
8-14	+	125325-13310	1	GASKET, PUMP			
		125300-13310	1	REBUILD KIT			
		P005-001810	1	REBUILD KIT			
8-3	+	125341-49030	1	DIAPHRAGM			
8-4	+	125340-51030	1	GASKET, DIAPHRAGM			
8-6	+	125338-13930	1	PIN, METERING ARM			
8-7	+	125323-42030	1	LEVER, METERING			
8-8	+	125322-42030	1	SPRING, COIL		Sus. by 125322-11520	
8-8	+	125322-11520	1	SPRING, COIL			
8-9	+	125337-06960	1	VALVE, INLET NEEDLE			
8-12	+	125326-42030	1	STRAINER			
8-13	+	125312-12820	1	DIAPHRAGM, FUEL PUMP			
8-14	+	125325-13310	1	GASKET, PUMP			
8-29	+	125345-15130	1	PLUG, WELCH			

Index

Patrs Number	Key No.	Patrs Number	Key No.	Patrs Number	Key No.
100000-48732	1 - 4	125334-06960	8 - 19	159011-03432	2 - 11
100011-05330	1 - 5	125337-06960	8 - 9	159012-01620	2 - 10
100012-51230	1 - 10	125337-06960	9 - 8-9	159017-10230	2 - 12
100013-11520	1 - 6	125338-13930	8 - 6	163400-49230	5 - 8
100014-11520	1 - 8	125338-13930	9 - 8-6	175000-52130	2 - 6
100015-04630	1 - 7	125339-42030	8 - 5	175000-56830	2 - 6
100100-44733	1 - 9	125340-51030	8 - 4	175005-44331	1 - 30
100204-52130	1 - 11	125340-51030	9 - 8-4	177202-12220	2 - 20
100204-52131	1 - 11	125340-51030	9 - 8-4	177214-02830	2 - 44
100204-52132	1 - 11	125341-49030	8 - 3	177218-44330	2 - 23
100212-42030	1 - 12	125341-49030	9 - 8-3	177226-10120	2 - 36
100212-42031	1 - 12	125341-49030	9 - 8-3	177227-42030	2 - 28
100215-03930	1 - 13	125342-13210	8 - 2	177228-27030	2 - 27
100242-42030	1 - 15	125342-52130	8 - 2	177234-12220	2 - 22
101010-44332	1 - 3	125344-52130	8 - 1	178001-56730	5 - 14
101011-06562	1 - 1	125345-15130	8 - 29	178010-48731	5 - 18
101514-42031	1 - 19	125345-15130	9 - 8-29	178043-06930	5 - 17
101535-44730	1 - 17	125363-11610	8 - 17	178048-05630	5 - 16
125200-52431	3 - 6	125372-42030	8 - 23	178110-05330	5 - 20
125200-52431	8 -	125376-49030	8 - 11	178127-24030	5 - 15
125200-52432	3 - 6	125381-08660	8 - 16	178515-46731	3 - 10
125200-52432	8 -	130010-42032	3 - 1	178516-00830	3 - 11
125200-52433	3 - 6	130016-42031	3 - 5	178810-42030	3 - 9
125200-52433	8 -	130017-42031	3 - 4	305110-42030	4 - 18
125300-13310	9 -	130111-00530	4 - 8	351111-09630	5 - 11
125303-13310	9 -	130301-42030	3 - 8	351111-09631	5 - 11
125310-11610	8 - 18	130310-46730	3 - 13	351600-09630	5 - 4
125312-12820	8 - 13	130319-42030	3 - 7	610281-52730	5 - 24
125312-12820	9 - 8-13	131004-55530	4 - 4	610310-47930	6 - 11
125312-12820	9 - 8-13	131005-44331	4 - 1	610313-47930	6 - 19
125313-42030	8 - 21	131005-44332	4 - 1	610318-47930	6 - 17
125314-13930	8 - 27	131016-55830	4 - 5	610400-47930	6 - 10
125316-49030	8 - 28	131051-56030	4 - 6	610410-47930	6 - 15
125318-52430	8 - 26	131205-07320	4 - 12	610903-51030	1 - 23
125320-52430	8 - 25	131300-56430	4 - 7	610910-51030	1 - 27
125322-11520	8 - 8	131312-44330	4 - 9	610922-51030	1 - 25
125322-11520	9 - 8-8	132010-13930	4 - 14	610923-51030	1 - 26
125322-42030	8 - 8	132010-56330	4 - 13	699000-47930	6 - 20
125322-42030	9 - 8-8	132013-09820	4 - 11	699016-23231	6 - 27
125323-42030	8 - 7	132115-46730	4 - 10	699016-44330	6 - 27
125323-42030	9 - 8-7	145631-42030	3 - 21	699212-23230	6 - 28
125325-13310	8 - 14	145642-04930	3 - 22	890157-39130	5 - 26
125325-13310	9 - 8-14	145863-42030	3 - 19	890169-47530	3 - 14
125325-13310	9 - 8-14	145866-42031	3 - 17	895015-09631	5 - 30
125326-42030	8 - 12	145876-42030	3 - 18	895015-26630	5 - 30
125326-42030	9 - 8-12	150112-42030	2 - 13	895410-07630	5 - 28
125327-13930	8 - 24	156601-44731	2 - 9	899580-68730	5 - 29
125327-15130	8 - 10	156601-44732	2 - 9	900100-06040	5 - 7
125333-06960	8 - 20	156801-44731	2 - 7	900100-06045	6 - 22

Index

Patrs Number	Key No.	Patrs Number	Key No.	Patrs Number	Key No.
900105-05012	2 - 45	A520-000002	2 - 43	X505-000620	2 - 51
900105-05055	3 - 23	A562-000000	6 - 30	X543-000030	1 - 21
900142-05025	1 - 24	C470-000000	5 - 19	X690-000030	5 - 29
900162-04016	2 - 48	C506-000020	6 - 5		
900162-04022	2 - 8	P005-000390	8 - 22		
900162-05022	1 - 2	P005-000590	8 - 15		
900162-05028	1 - 16	P005-001050	8 - 11		
900238-04012	1 - 20	P005-001710	8 - 25		
900238-04016	1 - 18	P005-001720	8 - 26		
900238-04016	1 - 22	P005-001810	9 -		
900238-05020	3 - 3	P021-000050	3 - 15		
900242-04010	3 - 20	P021-000140	6 - 8		
900242-05014	6 - 25	P021-002411	2 - 40		
900242-05028	5 - 21	P021-002412	2 - 40		
900242-05057	3 - 12	P021-003520	6 - 8		
900243-05016	4 - 2	P021-004030	2 - 40		
900253-04018	5 - 25	P021-005550	5 - 19		
900253-05020	2 - 25	P021-006080	6 - 26		
900500-00005	3 - 2	P022-000710	7 - 47		
900500-00005	5 - 9	P022-001230	7 - 44		
900500-00005	6 - 29	P022-001280	7 - 42		
900502-00006	5 - 13	P022-001290	7 - 43		
900525-00006	5 - 5	P022-001300	7 - 45		
900525-00006	6 - 24	P022-002860	7 - 46		
900560-00005	5 - 10	P022-002900	7 - 41		
900600-00005	3 - 22	P022-003320	7 - 41		
900600-00006	5 - 6	P022-003330	7 - 46		
900600-00006	6 - 23	P022-006190	7 - 44		
900605-00008	6 - 18	P022-006570	7 - 44		
900702-00032	1 - 29	V104-000160	3 - 16		
900802-00608	6 - 12	V253-000060	2 - 45		
900814-06201	1 - 28	V355-000040	6 - 13		
91030-05010	6 - 14	V355-000080	2 - 32		
91032-05030	6 - 16	V376-000160	2 - 47		
94035-36201	1 - 14	V450-000130	2 - 38		
A011-000101	1 - 9	V471-001190	4 - 14		
A051-000183	2 - 26	V471-001200	4 - 9		
A051-000184	2 - 26	V553-000010	1 - 10		
A051-000185	2 - 26	V553-000030	1 - 10		
A051-000186	2 - 26	V641-000040	2 - 33		
A053-000010	2 - 39	X047-000170	7 -		
A320-000250	3 - 21	X047-000171	7 -		
A320-000251	3 - 21	X047-000240	7 -		
A503-000010	2 - 29	X047-000241	7 -		
A504-000000	2 - 31	X047-000242	7 -		
A504-000001	2 - 31	X502-000030	2 - 50		
A506-000010	2 - 35	X502-000031	2 - 50		
A514-000010	2 - 37	X502-000032	2 - 50		
A520-000001	2 - 43	X505-000140	5 - 3		

YAMABIKO CORPORATION

7-2 SUEHIROCHO 1-CHOME, OHME, TOKYO 198-8760, JAPAN
PHONE: 81-428-32-6118. FAX: 81-428-32-6145.



150S
No.