

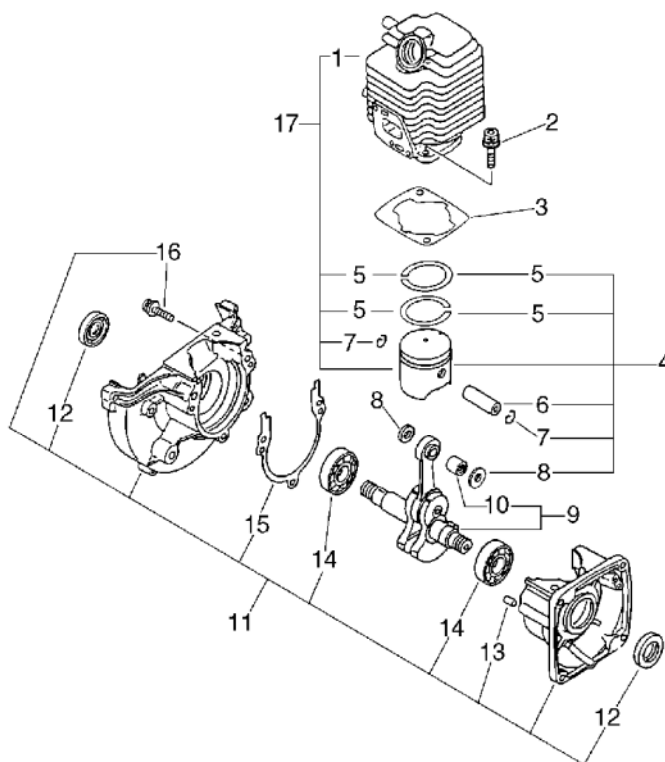


# **PARTS CATALOGUE**

## **SHRED 'N' VAC ES-2400**

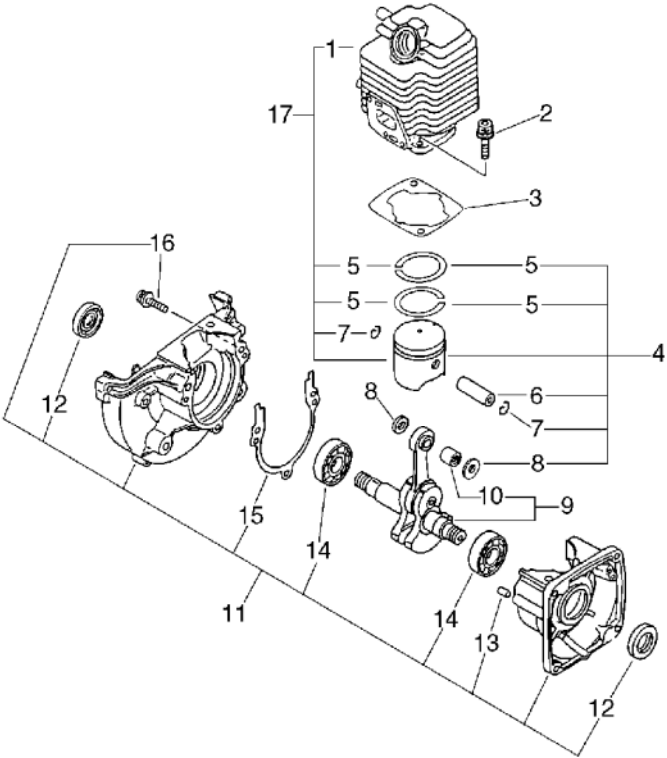
# 1. Cylinder, Crankcase, Piston

No.1



KEY	LV	PART NUMBER	Q'TY	DESCRIPTION	REMARKS	NOTE1	NOTE2
1		101011-08960	1	CYLINDER (CR)		Sus. by 101003-08960	
17		101003-08960	1	CYLINDER PISTON KIT			
1	+	101011-08961	1	CYLINDER (CR)		Sr/Nr 006687 and after	
5	+	100011-09560	2	RING, PISTON			
7	+	100015-04630	2	CIRCLIP, PISTON PIN			
2		900162-05022	2	BOLT, H.S. 5*22	5*22 W,SW		
3		101010-44332	1	GASKET, CYL. BASE			
4		100000-09562	1	PISTON KIT		Sus. by 100000-09563	
4		100000-09563	1	PISTON KIT			
5	+	100011-09560	2	RING, PISTON			
6	+	100013-11520	1	PIN, PISTON			
7	+	100015-04630	2	CIRCLIP, PISTON PIN			
8	+	100014-11520	2	SPACER, PISTON PIN			
9		100100-44732	1	CRANKSHAFT ASSY		Sus. by A011-000160	
9		A011-000100	1	CRANKSHAFT,ASM		Sus. by A011-000160	
9		A011-000160	1	CRANKSHAFT,ASM			
10	+	100012-51230	1	BEARING, NEEDLE	8*12*10	Sus. by V553-000010	
10	+	V553-000010	1	BEARING,NEEDLE 8	HK0810		
11		100204-52130	1	CRANKCASE KIT		Sus. by 100204-52132	

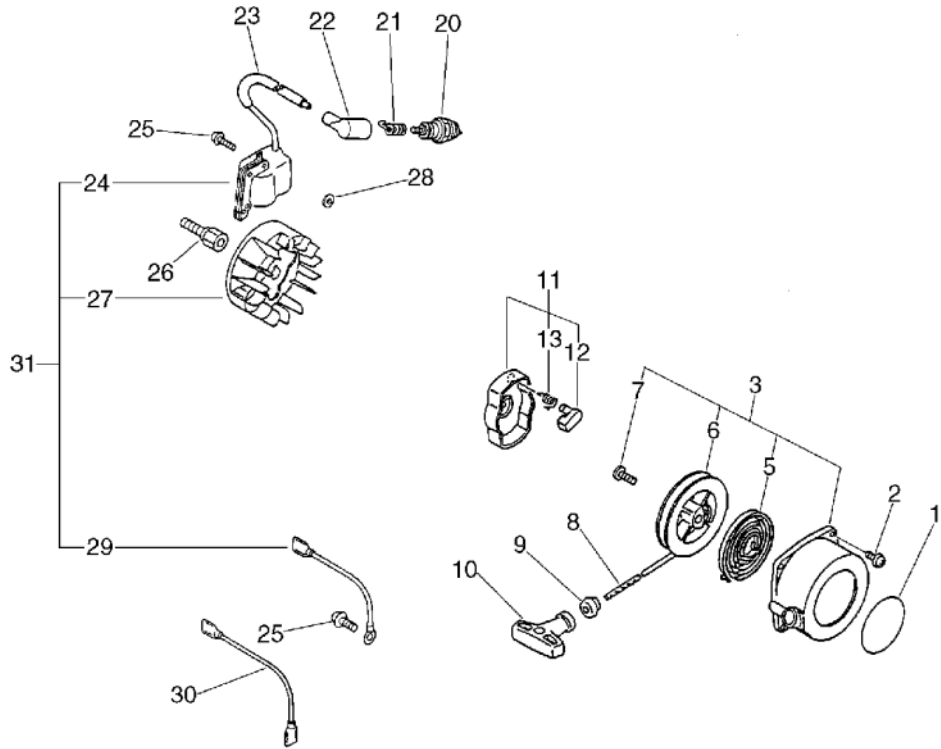
**1. Cylinder, Crankcase, Piston**  
**No.1**



KEY	LV	PART NUMBER	Q'TY	DESCRIPTION	REMARKS	NOTE1	NOTE2
11		100204-52131	1	CRANKCASE KIT		Sus. by 100204-52132	
11		100204-52132	1	CRANKCASE KIT			
12	+	100212-42030	2	OILSEAL	ISCD12*22*4.5	Sus. by 100212-42031	
12	+	100212-42031	2	OILSEAL	ISCD 12*22*4.5		
13	+	100215-03930	2	PIN, DOWEL			
14	+	900810-36201	2	BEARING, BALL 6201	6201/C3	Sus. by 94035-36201	
14	+	94035-36201	2	BEARING BALL	6201X3JR2C3		
15	+	100242-42030	1	GASKET, CRANKCASE			
16	+	900162-05028	3	BOLT, H.S. 5*28	5*28 W,SW		

2. Starter, Magneto

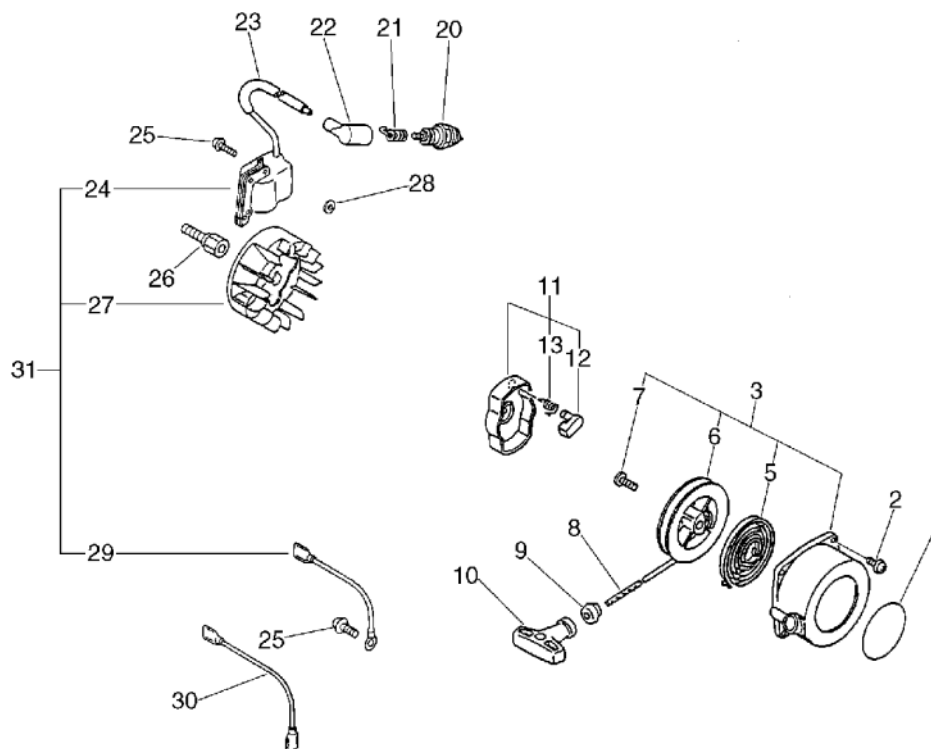
No.2



KEY	LV	PART NUMBER	Q'TY	DESCRIPTION	REMARKS	NOTE1	NOTE2
1		890118-49130	1	LABEL, ECHO			
2		900162-04016	4	BOLT, H.S. 4*16	4*16 W,SW	Sus. by 900163-04016	
2		900163-04016	4	BOLT HSH			
3		177200-42033	1	STARTER ASSY			
5	+	177220-42030	1	SPRING, REWIND			
6	+	177215-44430	1	DRUM, STARTER			
7	+	177236-44330	1	SCREW			
8	+	177226-10120	1	ROPE, STARTER	3.0*1000		
9	+	177227-42030	1	GUIDE, ROPE			
10	+	177228-06530	1	GRIP, STARTER			
11		177202-44330	1	PAWL ASSY, STARTER			
11		A052-000061	1	PULLEY,ASM STARTER		Next Production	
12	+	177218-44330	1	PAWL, STARTER	BLACK		
13	+	177234-42030	1	SPRING, RETURN			
20		159017-10230	1	PLUG, SPARK (RCJ-7Y)	RCJ-7Y	Sus. by 159010-10230	
20		159010-10230	1	PLUG, SPARK (BPMR-7A)	BPMR-7A		
21		159011-03432	1	COIL, SPARK PLUG		Sus. by 159016-05330	
21		159016-05330	1	ADAPTER, PLUG CAP			
22		159012-03433	1	CAP, SPARK PLUG		Sus. by 159012-10230	
22		159012-10230	1	CAP, SPARK PLUG			
23		156611-05060	1	TUBE	6*8*150		

## 2. Starter, Magneto

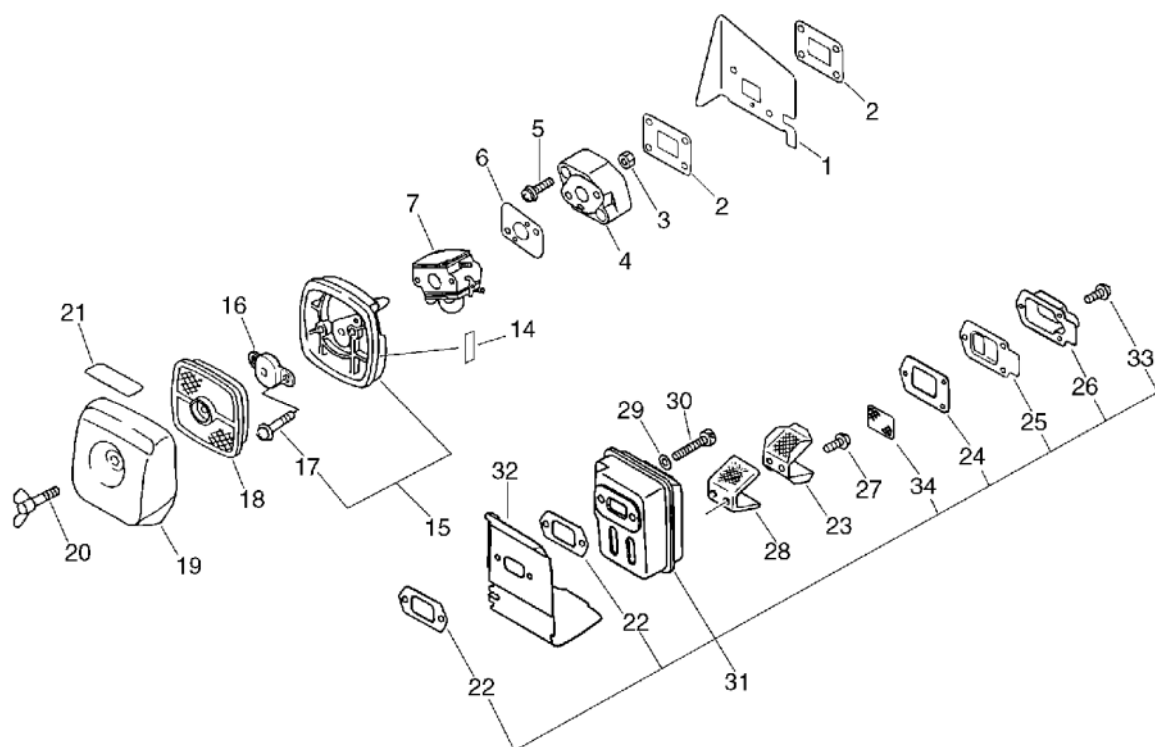
No.2



KEY	LV	PART NUMBER	Q'TY	DESCRIPTION	REMARKS	NOTE1	NOTE2
24		158626-06360	1	COIL, IGNITION		Sus. by P021-001181	
24		158626-06361	1	COIL, IGNITION		Sus. by P021-001181	
31		P021-001180	1	MAGNETO ASY		Sus. by P021-001181	
31		P021-001181	1	MAGNETO ASY			
24	+	A411-000020	1	COIL,IGNITION		Sr/Nr 026783 and after	
27	+	A409-000000	1	ROTOR,MAGNETO		Sus. by A409-000100	
27	+	A409-000100	1	ROTOR,MAGNETO		Sr/Nr 026783 and after	
29	+	V485-000040	1	LEAD		Sr/Nr 026783 and after	
25		900162-04022	2	BOLT, H.S. 4*22	4*22 W,SW		
26		200011-05661	1	HUB, FAN			
27		158800-20560	1	ROTOR, MAGNETO		Sus. by P021-001181	
28		101531-54330	2	COLLAR		Sr/Nr 026782 and before	
29		162010-20660	1	LEAD, GROUND	130L	Sr/Nr 026782 and before	
30		162021-20660	1	LEAD	130L		

### 3. Air Cleaner, Muffler

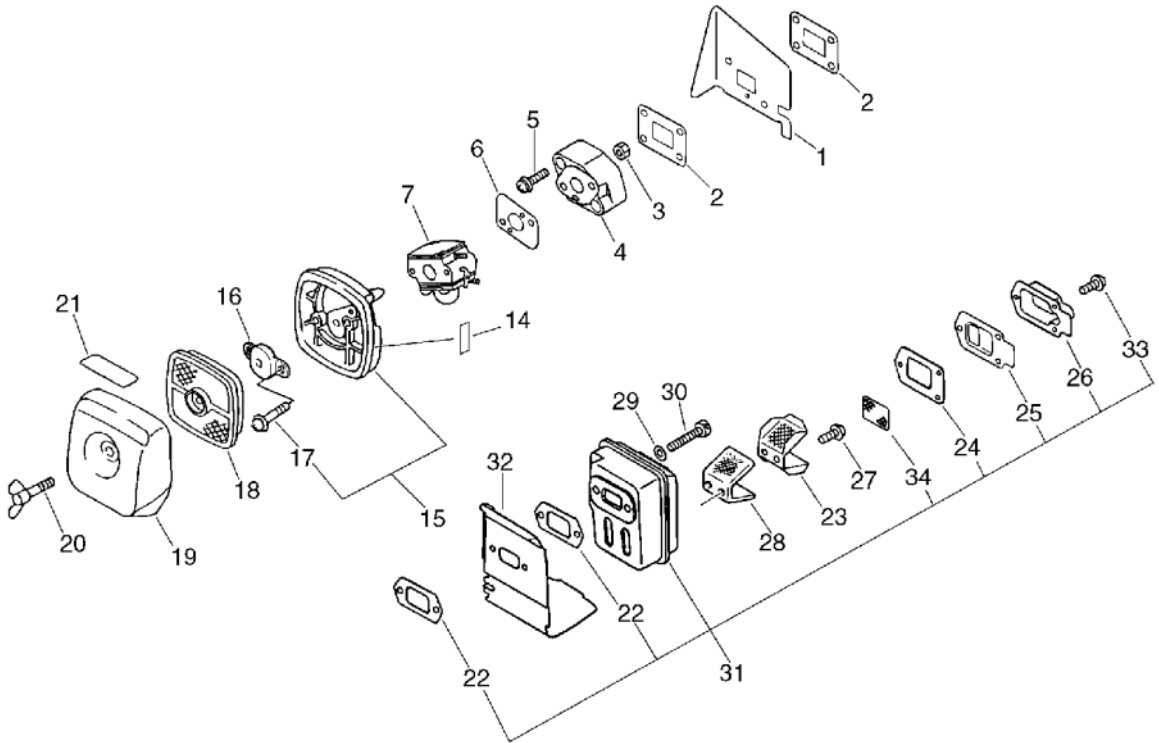
No.3



KEY	LV	PART NUMBER	Q'TY	DESCRIPTION	REMARKS	NOTE1	NOTE2
1		101514-20560	1	COVER, CYLINDER			
2		130010-09561	2	GASKET, INTAKE			
3		900500-00005	2	NUT 5	5		
4		130017-05062	1	INSULATOR, INTAKE			
5		900238-05022	2	SCREW 5*22	5*22		
6		130010-20560	1	GASKET, INTAKE			
7		125200-09560	1	CARBURETOR ASSY	C1UK44A	Sus. by 125200-09562	
7		125200-09561	1	CARBURETOR	C1U-K44B	Sus. by 125200-09562	
7		125200-09562	1	CARBURETOR	C1U-K44B		
14		890560-90660	1	LABEL, PRIMING			
15		130307-06561	1	CASE, AIR CLEANER		Sus. by P021-002921	
15		P021-002921	1	CASE, AIR CLEANER			
17	+	900242-05065	2	SCREW 5*65	5*65		
16		129011-52730	1	PLATE, PREVENT			
18		130310-54130	1	FILTER, AIR			
19		130313-06563	1	LID, AIR CLEANER			
20		210417-52730	1	BOLT, WING	5*20		
21		890121-05360	1	LABEL, METERING			
31		145803-09660	1	MUFFLER ASSY		Sus. by P021-008840	
31		P021-008840	1	MUFFLER ASY			
22	+	145510-42031	2	GASKET, MUFFLER		Sus. by V104-000160	

**3. Air Cleaner, Muffler**

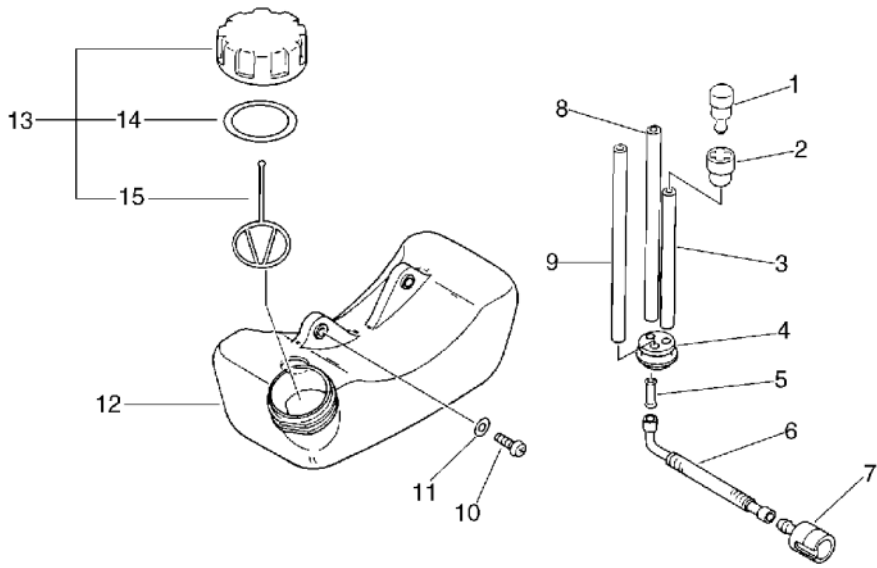
No.3



KEY	LV	PART NUMBER	Q'TY	DESCRIPTION	REMARKS	NOTE1	NOTE2
22	+	V104-000160	2	GASKET,EXHAUST			
23	+	145862-52130	1	SCREEN, MUFFLER		Can be used on the 145803-09660 only	
24	+	145866-42031	1	GASKET, MUFFLER LID			
25	+	145876-42030	1	LID, MUFFLER (B)			
26	+	145876-05061	1	PLATE			
27	+	900238-04010	2	SCREW 4*10	4*10	Can be used on the 145803-09660 only	
28	+	145820-52130	1	CATALYST		Can be used on the 145803-09660 only	
33	+	900242-04010	3	SCREW 4*10	4*10		
34	+	145862-40630	1	SCREEN, MUFFLER		Can be used on the P021-008840 only	
29		900603-00005	2	WASHER 5	5.5*12*0.8		
30		900105-05055	2	BOLT, H.S. 5*55	5*55		
32		145871-05760	1	COVER, MUFFLER			

# 4. Fuel Tank

No.4

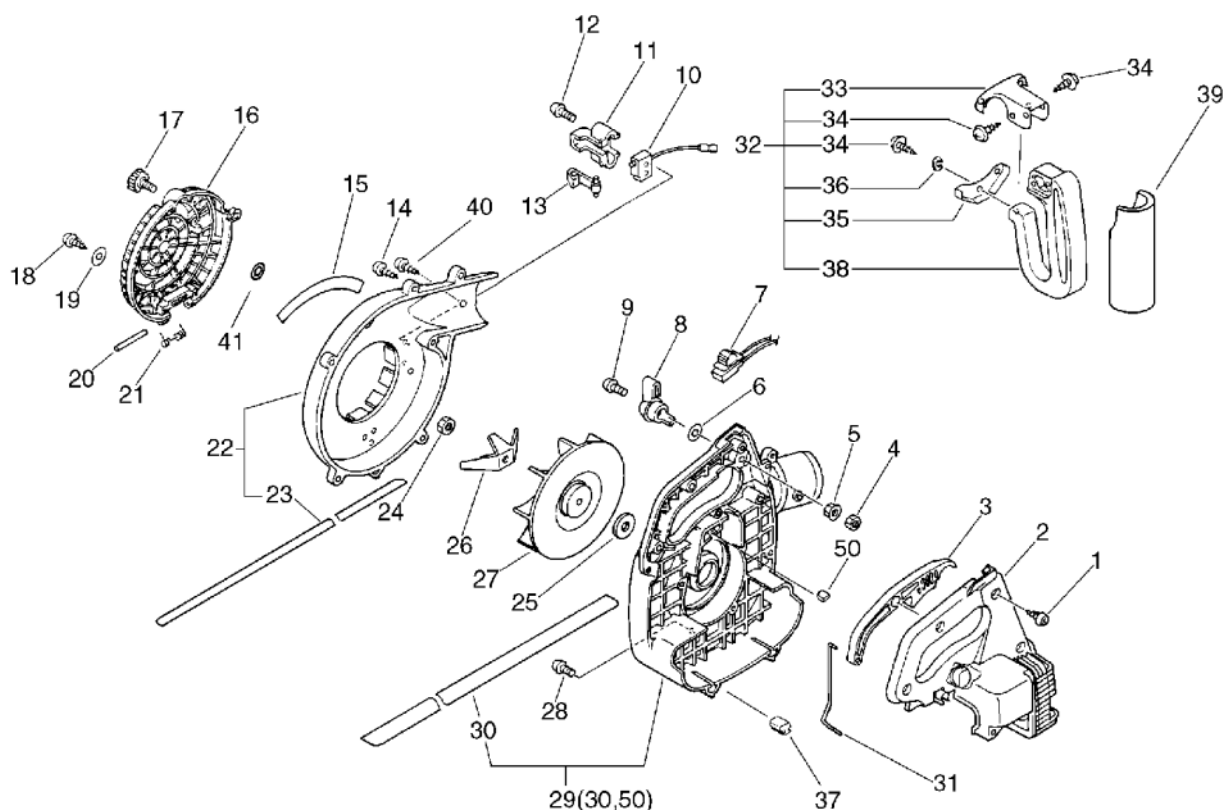


KEY	LV	PART NUMBER	Q'TY	DESCRIPTION	REMARKS	NOTE1	NOTE2
1		131300-56430	1	VALVE, CHECK			
2		131328-40630	1	COVER, VENT			
3		131312-44330	1	PIPE, 3*5*70L	3*5*70L NBR	Sus. by V471-001200	
3		131312-39130	1	PIPE	3*5*70(+3)NBR		
3		V471-001200	1	PIPE	3*5*70 NBR		
4		132115-46730	1	GROMMET, FUEL		Sus. by V137-000030	
4		V137-000030	1	GROMMET, FUEL			
5		132011-03360	1	CONNECTOR, FUEL PIPE			
6		132012-12360	1	PIPE, FUEL			
7		131205-07320	1	STRAINER, FUEL			
8		437210-11131	1	PIPE 3*5*90 NBR	3*5*90 NBR	Sus. by V471-001210	
8		V471-001210	1	PIPE	3*5*90 NBR		
9		132010-56330	1	PIPE 3*6*90	3*6*90 YL		
10		900238-05016	2	SCREW 5*16	5*16		
11		900603-00005	2	WASHER 5	5.5*12*0.8		
12		131005-20560	1	TANK, FUEL		Sus. by 131005-20561	
12		131005-20561	1	TANK, FUEL			
13		131004-55530	1	CAP ASSY, FUEL TANK			
14	+	131016-55830	1	GASKET, FUEL CAP			
15	+	131051-56030	1	CLIP, FUEL CAP	100L		



### 5. Fan Case

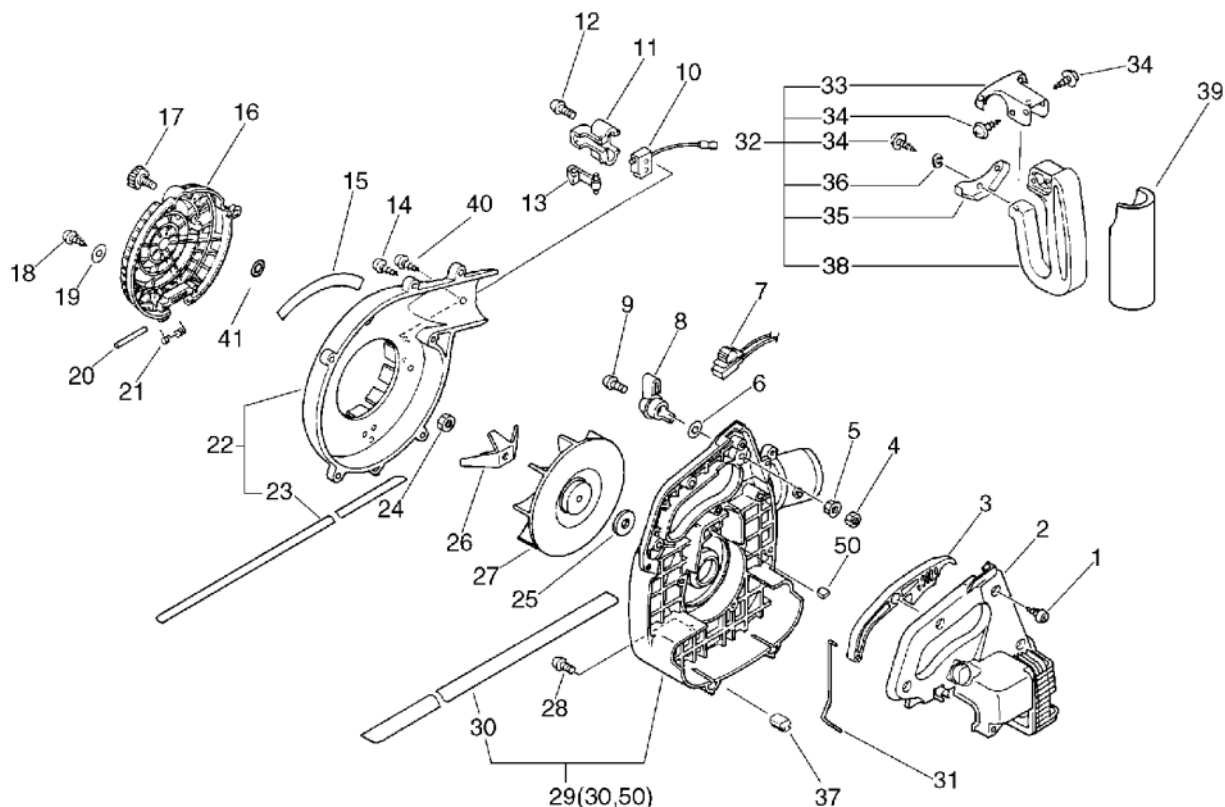
No.5



KEY	LV	PART NUMBER	Q'TY	DESCRIPTION	REMARKS	NOTE1	NOTE2
1		900253-05020	5	SCREW 5*20	5*20	Sus. by 900253-05020 Q'ty:7	
1		900253-05020	7	SCREW 5*20	5*20	Can be used on 104012-20561 only	
2		104012-20560	1	COVER			
2		104012-20561	1	COVER			
3		178010-20560	1	CONTROL, THROTTLE			
4		900502-00005	1	NUT 5 (3N)	3N5		
5		900516-00005	1	NUT, FRANGE 5	5		
6		900603-00005	1	WASHER 5	5.5*12*0.8		
7		163400-20560	1	SWITCH, IGNITION		Sus. by 163401-20561	
7		163401-20560	1	SWITCH, IGNITION		Sus. by 163401-20561	
7		163401-20561	1	SWITCH, IGNITION			
8		178054-20560	1	CONTROL, THROTTLE			
9		900238-05025	1	SCREW 5*25	5*25	Sus. by 91358-05025	
9		91358-05025	1	SCREW	SM-5*25 シ-ロツクメツク		
10		163400-20660	1	SWITCH, IGNITION			
11		163810-20660	1	BRACKET, SWITCH			
12		900256-04022	2	SCREW 4*22	4*22		

# 5. Fan Case

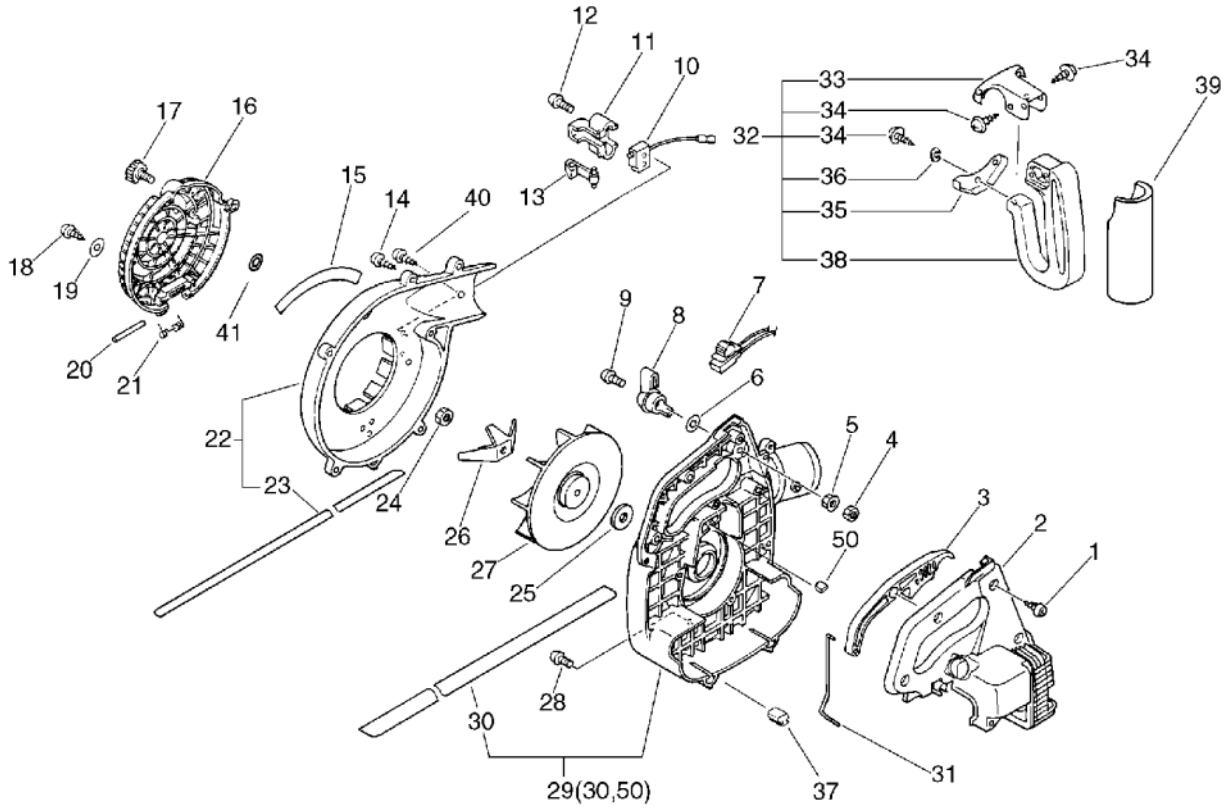
## No.5



KEY	LV	PART NUMBER	Q'TY	DESCRIPTION	REMARKS	NOTE1	NOTE2
13		163335-20660	1	LEVER, ACTUATOR		Sus. by 163335-20560	
13		163335-20560	1	LEVER, ACTUATOR			
14		900253-05020	6	SCREW 5*20	5*20		
15		890115-09560	1	LABEL, MODEL			
16		200124-20660	1	GRID, FAN CASE		Sus. by 200124-20661	
16		200124-20661	1	GRID, FAN CASE			
17		130406-06360	1	KNOB, FASTENER		Sus. by V299-000290	
17		130406-20660	1	THUMB		Sus. by V299-000290	
17		V299-000290	1	KNOB,FASTENER	1 KNOB M5X0.8		
18		900253-05014	1	SCREW 5*14	5*14		
19		900603-00005	1	WASHER 5	5.5*12*0.8		
20		200150-05060	1	SHAFT, GRID			
21		200152-05060	1	SPRING, GRID			
22		200109-20660	1	CASE, FAN		Sus. by 200111-20664	
22		200109-20661	1	CASE, FAN		Sus. by 200111-20664	
22		200109-20662	1	CASE, FAN		Sus. by 200111-20664	
22		200109-20663	1	CASE, FAN		Sus. by 200111-20664	

5. Fan Case

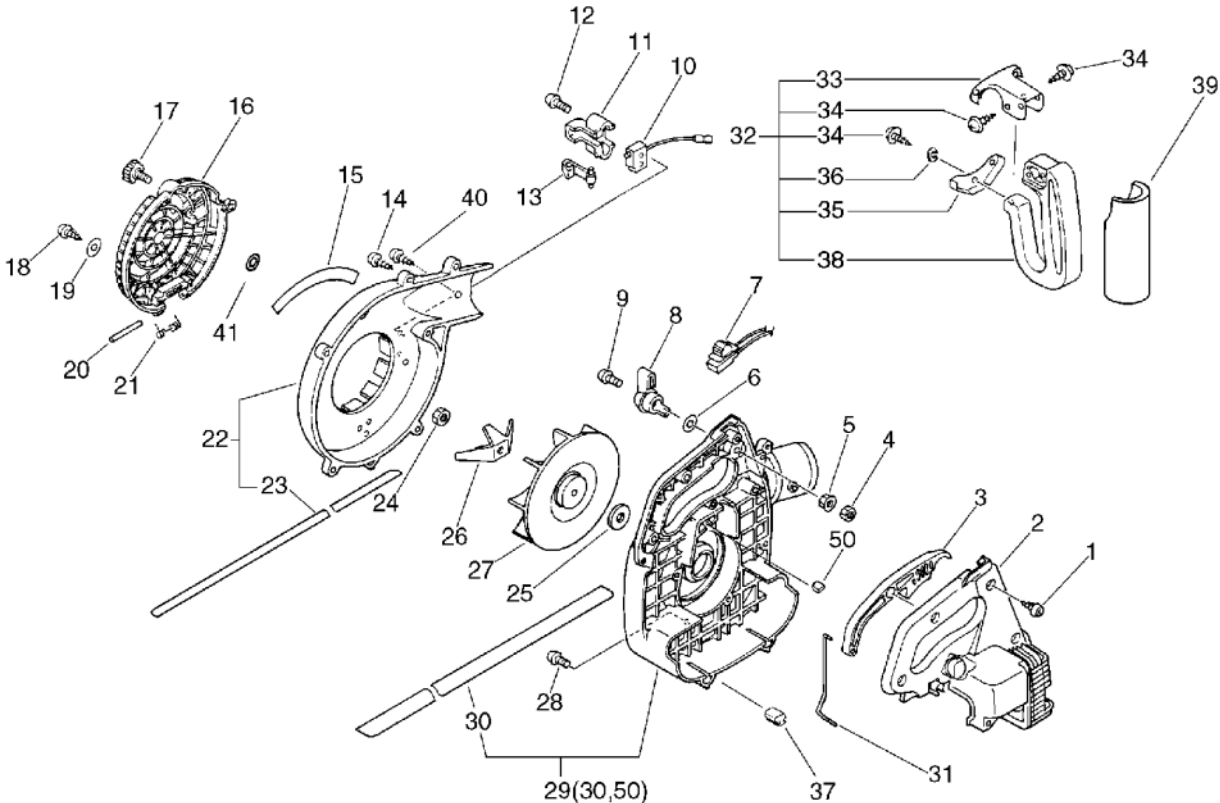
No.5



KEY	LV	PART NUMBER	Q'TY	DESCRIPTION	REMARKS	NOTE1	NOTE2
22		200111-20664	1	CASE, FAN			
23	+	220120-20560	1	CUSHION		Sus. by 220120-20561	
23	+	220120-20561	1	CUSHION		Can be used on 200109-20661,-2,-3 only	
24		900500-00008	1	NUT 8	8*P1.25		
25		100132-05660	1	WASHER	8.2*30*3.0		
26		200180-08761	1	CUTTER, SHREDDER			
27		200010-06362	1	FAN		Sus. by 200010-06363	
27		200010-06363	1	FAN			
28		900162-04022	4	BOLT, H.S. 4*22	4*22 W,SW		
29		200108-20661	1	CASE, FAN		Sus. by P021-003703	
29		200108-20662	1	CASE, FAN		Sus. by P021-003703	
29		P021-003700	1	CASE,FAN(W/PLUG)		Sus. by P021-003703	
29		P021-003701	1	CASE,FAN(W/PLUG)		Sus. by P021-003703	
30	+	220120-20660	1	CUSHION		Sus. by 220120-20661	
30	+	220120-20661	1	CUSHION			
50	+	101538-28230	1	GROMMET,PLUG			

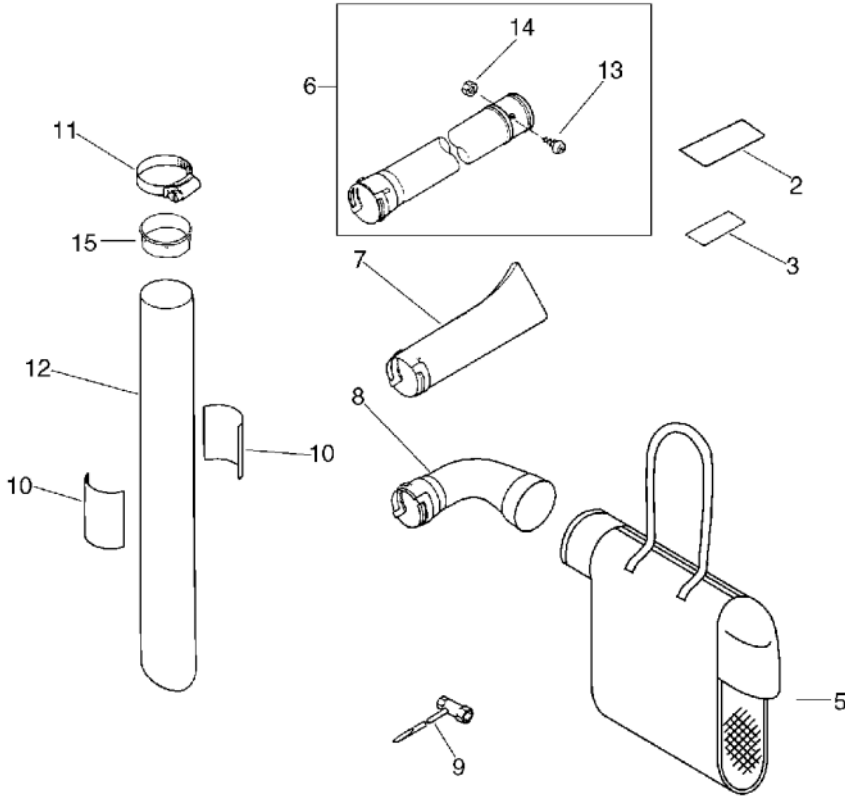
5. Fan Case

No.5



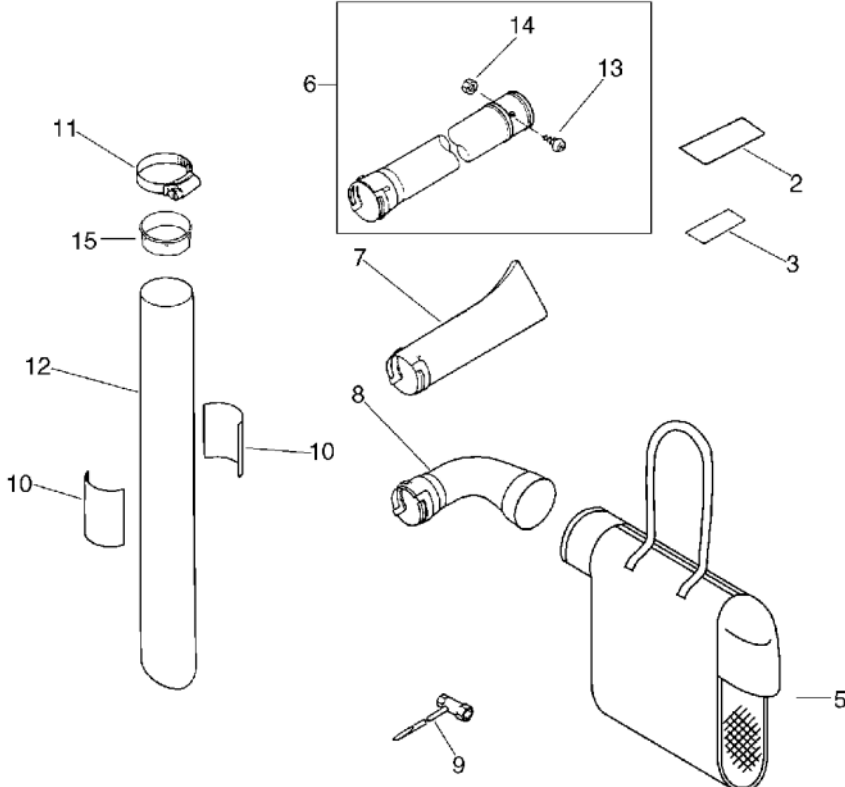
KEY	LV	PART NUMBER	Q'TY	DESCRIPTION	REMARKS	NOTE1	NOTE2
29		P021-003702	1	CASE,FAN(W/PLUG)		Sus. by P021-003703	
29		P021-003703	1	CASE,FAN(W/PLUG)			
50	+	101538-28230	1	GROMMET,PLUG			
31		178011-20560	1	ROD, THROTTLE		Sus. by 178011-20561	
31		178011-20561	1	ROD, THROTTLE			
32		351000-05060	1	HANDLE ASSY, REAR			
33	+	351011-05060	1	SUPPORTER HANDLE			
34	+	900253-05014	3	SCREW 5*14	5*14	Sus. by 900253-05016	
34	+	900253-05016	3	SCREW	5*16		
35	+	351028-05060	1	SUPPORTER, HANDLE			
38	+	351010-05060	1	HANDLE (BL)			
37		351335-20560	2	CUSHION			
39		351213-54330	1	GRIP, HANDLE			
40		900256-05010	1	SCREW, TAPPING			
41		900580-00004	1	PUSH, RING			

**6. Pipe, Dust Bag, Tool**  
**No.6**



KEY	LV	PART NUMBER	Q'TY	DESCRIPTION	REMARKS	NOTE1	NOTE2
2		890160-09460	1	LABEL, CAUTION		Sus. by 890160-09461	
2		890160-09461	1	LABEL, CAUTION			
3		890160-06360	1	LABEL, CAUTION		Sus. by 890160-06361	
3		890160-06361	1	LABEL, CAUTION			
5		880814-09460	1	BAG, DUST(W/HARNESS)		Sus. by X692-000021	
5		X692-000020	1	BAG,DUST		Sus. by X692-000021	
5		X692-000021	1	BAG,DUST	ECHO		
6		210015-05060	1	PIPE, STRAIGHT (BL)		Sus. by 210007-20660	
6		210007-20660	1	PIPE,BLOWER			
13	+	900238-05010	1	SCREW 5*10	5*10		
14	+	900500-00005	1	NUT 5	5		
7		210014-20560	1	PIPE, BLOWER		Sus. by 210014-20660	
7		210014-20660	1	PIPE, STRAIGHT			
8		215012-05060	1	CONNECTOR (BL)		Sus. by 215012-20110	
8		215012-20110	1	PIPE,MAIN			
9		895410-00430	1	WRENCH, W/S. DRIVER			
10		890118-09460	2	LABEL, MODEL			
11		210413-05060	1	CLAMP, FLEXIBLE PIPE			

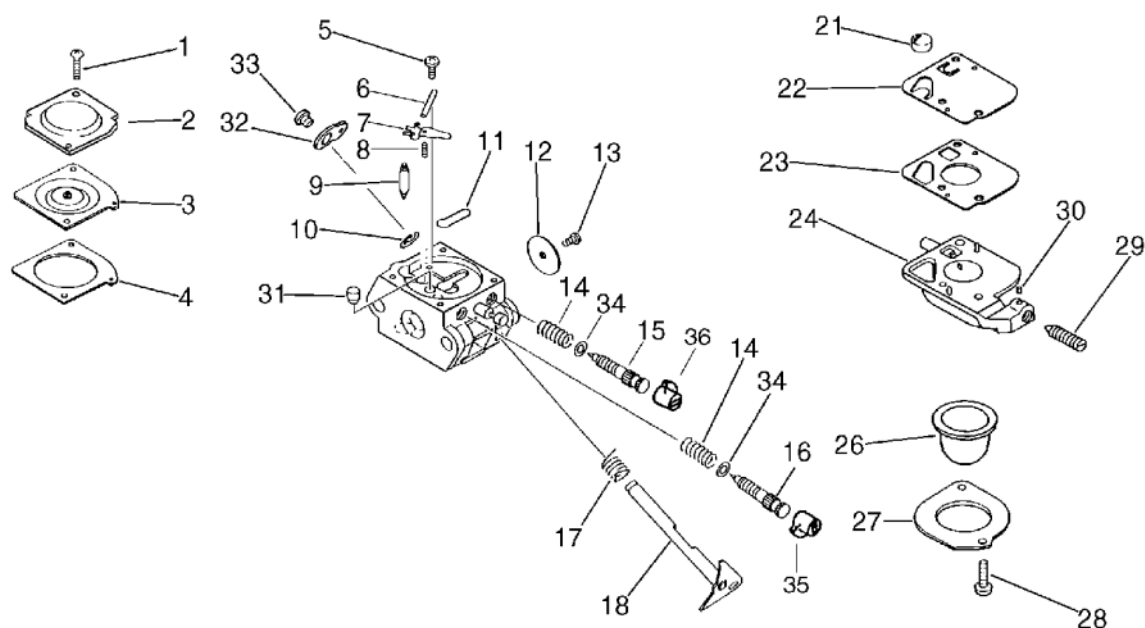
**6. Pipe, Dust Bag, Tool**  
**No.6**



KEY	LV	PART NUMBER	Q'TY	DESCRIPTION	REMARKS	NOTE1	NOTE2
12		210027-06562	1	PIPE, SUCTION	115*880	Sus. by E180-000000	
12		E180-000000	1	PIPE,SUCTION	115MM D. X 888MM		
15		385155-09660	1	SLEEVE		Can be used on 210027-06562 only	

# 7. Carburetor

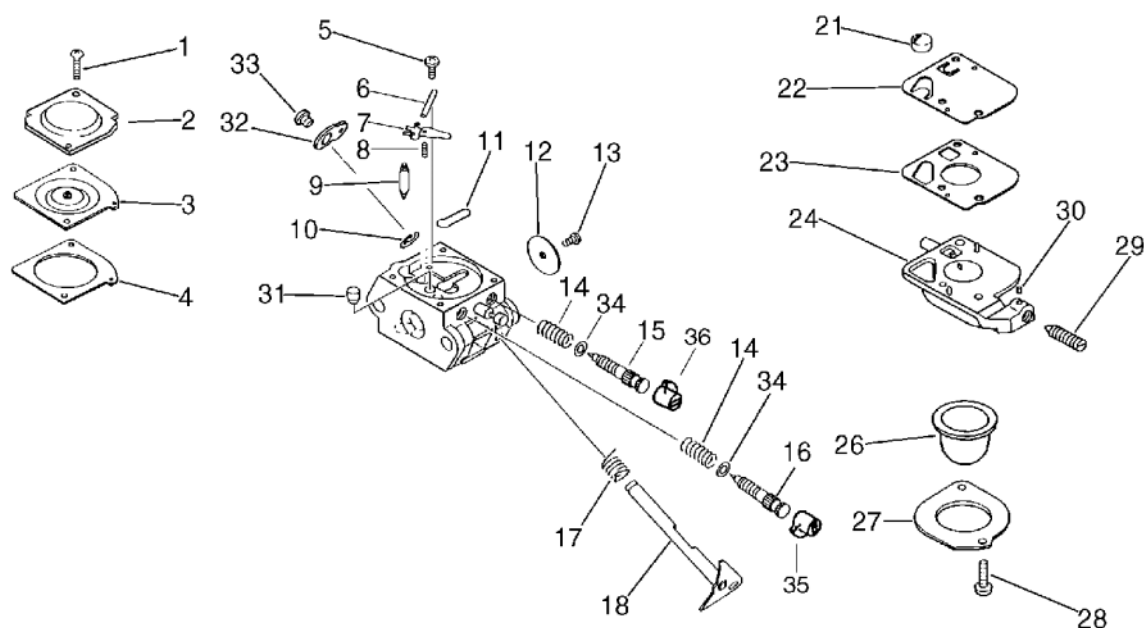
## No.7



KEY	LV	PART NUMBER	Q'TY	DESCRIPTION	REMARKS	NOTE1	NOTE2
		125200-09560	1	CARBURETOR ASSY	C1UK44A	Sus. by 125200-09562	
		125200-09561	1	CARBURETOR	C1U-K44B	Sus. by 125200-09562	
		125200-09562	1	CARBURETOR	C1U-K44B		
1	+	125344-52130	2	SCREW			
2	+	125342-07360	1	COVER, DIAPHRAGM			
3	+	125341-34530	1	DIAPHRAGM			
4	+	125340-20560	1	GASKET, DIAPHRAGM			
5	+	125339-42030	1	SCREW			
6	+	125338-13930	1	PIN, METERING ARM			
7	+	125323-42030	1	LEVER, METERING			
8	+	125322-07260	1	SPRING, COIL			
9	+	125337-06960	1	VALVE, INLET NEEDLE			
10	+	125327-13930	1	CLIP			
11	+	125345-15130	1	PLUG, WELCH			
12	+	125316-20560	1	VALVE, THROTTLE		Sr/Nr 029298 and before	
12	+	125316-53130	1	VALVE, THROTTLE		Sr/Nr 029299 and after	
13	+	125314-13930	1	SCREW	3*4		
14	+	125319-42030	2	SPRING, COIL		Sr/Nr 029298 and before	
15	+	125318-09560	1	NEEDLE, IDLE		Sr/Nr 029298 and before	

# 7. Carburetor

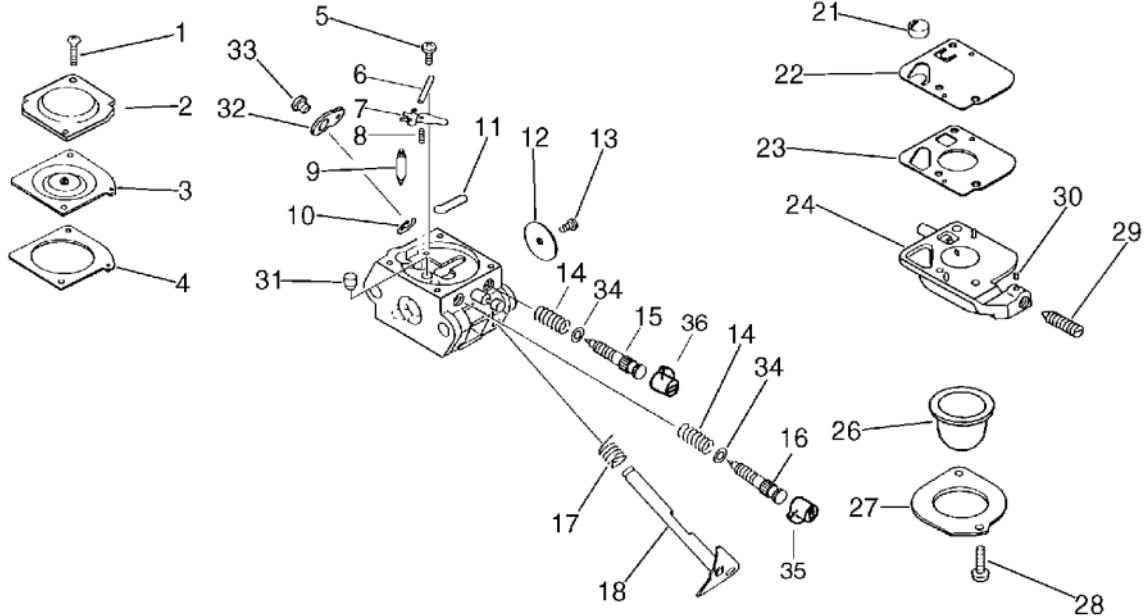
## No.7



KEY	LV	PART NUMBER	Q'TY	DESCRIPTION	REMARKS	NOTE1	NOTE2
15	+	P005-000450	1	SCREW ASY IDLE MIX.		Sr/Nr 029299 and after	
16	+	125320-20560	1	NEEDLE, HIGH SPEED		Sr/Nr 029298 and before	
16	+	125320-13310	1	NEEDLE, HIGH SPEED		Sr/Nr 029299 and after	
17	+	125313-20560	1	SPRING, THRT.RETURN		Sus. by 125313-08560	
17	+	125313-08560	1	SPRING, THRT. RETURN			
18	+	125317-06860	1	SHAFT, THROTTLE			
21	+	125326-42030	1	STRAINER			
22	+	125312-12820	1	DIAPHRAGM, FUEL PUMP			
23	+	125325-42030	1	GASKET, FUEL PUMP		Sus. by 125325-13310	
23	+	125325-13310	1	GASKET, PUMP			
24	+	125324-11610	1	COVER, PUMP		Sus. by 125383-13310	
24	+	125383-13310	1	BASE, PRIMER		Sus. by P005-000990	
24	+	P005-000990	1	BASE,PRIMER			
26	+	125381-46730	1	PUMP, PRIMING		Sus. by 125381-08660	
26	+	125381-08660	1	PUMP, PRIMING			
27	+	125363-11610	1	RING			
28	+	125310-11610	1	SCREW			
29	+	125334-06860	1	SCREW, IDLE ADJUST			



**7. Carburetor**  
**No.7**



KEY	LV	PART NUMBER	Q'TY	DESCRIPTION	REMARKS	NOTE1	NOTE2
30	+	125378-13930	1	PIECE, FRICTION			
31	+	125376-07360	1	NOZZLE, CHECK VALVE			
32	+	125350-20560	1	LEVER, THROTTLE			
33	+	125348-13930	1	SCREW			
34	+	125353-07760	2	WASHER		Sus. by 125353-20560	
34	+	125353-20560	2	WASHER		Sr/Nr 029298 and before	
35		125329-08560	1	LIMITER, MIXTURE		Sr/Nr 36001001 and after	
36		125329-09860	1	LIMITER, MIXTURE		Sr/Nr 36001001 and after	

8. Repair Kit

KEY	LV	PART NUMBER	Q'TY	DESCRIPTION	REMARKS	NOTE1	NOTE2
		125303-20560	1	GASKET/DIAPHRAGM KIT			
	+	125312-42030	1	DIAPHRAGM, FUEL PUMP			
	+	125325-42030	1	GASKET, FUEL PUMP		Sus. by 125325-13310	
7-23	+	125325-13310	1	GASKET, PUMP			
7-3	+	125341-34530	1	DIAPHRAGM			
7-4	+	125340-20560	1	GASKET, DIAPHRAGM			
		125300-20560	1	REBUILD KIT			
7-9	+	125337-06960	1	VALVE, INLET NEEDLE			
7-8	+	125322-07260	1	SPRING, COIL			
7-7	+	125323-42030	1	LEVER, METERING			
7-6	+	125338-13930	1	PIN, METERING ARM			
7-21	+	125326-42030	1	STRAINER			
7-11	+	125345-15130	1	PLUG, WELCH			
	+	125312-42030	1	DIAPHRAGM, FUEL PUMP			
	+	125325-42030	1	GASKET, FUEL PUMP		Sus. by 125325-13310	
7-23	+	125325-13310	1	GASKET, PUMP			
7-3	+	125341-34530	1	DIAPHRAGM			
7-4	+	125340-20560	1	GASKET, DIAPHRAGM			

**Index**

<b>Patrs Number</b>	<b>Key No.</b>	<b>Patrs Number</b>	<b>Key No.</b>	<b>Patrs Number</b>	<b>Key No.</b>
100000-09562	1 - 4	125320-20560	7 - 16	130313-06563	3 - 19
100000-09563	1 - 4	125322-07260	7 - 8	130406-06360	5 - 17
100011-09560	1 - 5	125322-07260	8 - 7-8	130406-20660	5 - 17
100011-09560	1 - 5	125323-42030	7 - 7	131004-55530	4 - 13
100012-51230	1 - 10	125323-42030	8 - 7-7	131005-20560	4 - 12
100013-11520	1 - 6	125324-11610	7 - 24	131005-20561	4 - 12
100014-11520	1 - 8	125325-13310	7 - 23	131016-55830	4 - 14
100015-04630	1 - 7	125325-13310	8 - 7-23	131051-56030	4 - 15
100015-04630	1 - 7	125325-13310	8 - 7-23	131205-07320	4 - 7
100100-44732	1 - 9	125325-42030	7 - 23	131300-56430	4 - 1
100132-05660	5 - 25	125325-42030	8 -	131312-39130	4 - 3
100204-52130	1 - 11	125325-42030	8 -	131312-44330	4 - 3
100204-52131	1 - 11	125326-42030	7 - 21	131328-40630	4 - 2
100204-52132	1 - 11	125326-42030	8 - 7-21	132010-56330	4 - 9
100212-42030	1 - 12	125327-13930	7 - 10	132011-03360	4 - 5
100212-42031	1 - 12	125329-08560	7 - 35	132012-12360	4 - 6
100215-03930	1 - 13	125329-09860	7 - 36	132115-46730	4 - 4
100242-42030	1 - 15	125334-06860	7 - 29	145510-42031	3 - 22
101003-08960	1 - 17	125337-06960	7 - 9	145803-09660	3 - 31
101010-44332	1 - 3	125337-06960	8 - 7-9	145820-52130	3 - 28
101011-08960	1 - 1	125338-13930	7 - 6	145862-40630	3 - 34
101011-08961	1 - 1	125338-13930	8 - 7-6	145862-52130	3 - 23
101514-20560	3 - 1	125339-42030	7 - 5	145866-42031	3 - 24
101531-54330	2 - 28	125340-20560	7 - 4	145871-05760	3 - 32
101538-28230	5 - 50	125340-20560	8 - 7-4	145876-05061	3 - 26
101538-28230	5 - 50	125340-20560	8 - 7-4	145876-42030	3 - 25
104012-20560	5 - 2	125341-34530	7 - 3	156611-05060	2 - 23
104012-20561	5 - 2	125341-34530	8 - 7-3	158626-06360	2 - 24
125200-09560	3 - 7	125341-34530	8 - 7-3	158626-06361	2 - 24
125200-09560	7 -	125342-07360	7 - 2	158800-20560	2 - 27
125200-09561	3 - 7	125344-52130	7 - 1	159010-10230	2 - 20
125200-09561	7 -	125345-15130	7 - 11	159011-03432	2 - 21
125200-09562	3 - 7	125345-15130	8 - 7-11	159012-03433	2 - 22
125200-09562	7 -	125348-13930	7 - 33	159012-10230	2 - 22
125300-20560	8 -	125350-20560	7 - 32	159016-05330	2 - 21
125303-20560	8 -	125353-07760	7 - 34	159017-10230	2 - 20
125310-11610	7 - 28	125353-20560	7 - 34	162010-20660	2 - 29
125312-12820	7 - 22	125363-11610	7 - 27	162021-20660	2 - 30
125312-42030	8 -	125376-07360	7 - 31	163335-20560	5 - 13
125312-42030	8 -	125378-13930	7 - 30	163335-20660	5 - 13
125313-08560	7 - 17	125381-08660	7 - 26	163400-20560	5 - 7
125313-20560	7 - 17	125381-46730	7 - 26	163400-20660	5 - 10
125314-13930	7 - 13	125383-13310	7 - 24	163401-20560	5 - 7
125316-20560	7 - 12	129011-52730	3 - 16	163401-20561	5 - 7
125316-53130	7 - 12	130010-09561	3 - 2	163810-20660	5 - 11
125317-06860	7 - 18	130010-20560	3 - 6	177200-42033	2 - 3
125318-09560	7 - 15	130017-05062	3 - 4	177202-44330	2 - 11
125319-42030	7 - 14	130307-06561	3 - 15	177215-44430	2 - 6
125320-13310	7 - 16	130310-54130	3 - 18	177218-44330	2 - 12

**Index**

<b>Patrs Number</b>	<b>Key No.</b>	<b>Patrs Number</b>	<b>Key No.</b>	<b>Patrs Number</b>	<b>Key No.</b>
177220-42030	2 - 5	890118-49130	2 - 1	E180-000000	6 - 12
177226-10120	2 - 8	890121-05360	3 - 21	P005-000450	7 - 15
177227-42030	2 - 9	890160-06360	6 - 3	P005-000990	7 - 24
177228-06530	2 - 10	890160-06361	6 - 3	P021-001180	2 - 31
177234-42030	2 - 13	890160-09460	6 - 2	P021-001181	2 - 31
177236-44330	2 - 7	890160-09461	6 - 2	P021-002921	3 - 15
178010-20560	5 - 3	890560-90660	3 - 14	P021-003700	5 - 29
178011-20560	5 - 31	895410-00430	6 - 9	P021-003701	5 - 29
178011-20561	5 - 31	900105-05055	3 - 30	P021-003702	5 - 29
178054-20560	5 - 8	900162-04016	2 - 2	P021-003703	5 - 29
200010-06362	5 - 27	900162-04022	2 - 25	P021-008840	3 - 31
200010-06363	5 - 27	900162-04022	5 - 28	V104-000160	3 - 22
200011-05661	2 - 26	900162-05022	1 - 2	V137-000030	4 - 4
200108-20661	5 - 29	900162-05028	1 - 16	V299-000290	5 - 17
200108-20662	5 - 29	900163-04016	2 - 2	V471-001200	4 - 3
200109-20660	5 - 22	900238-04010	3 - 27	V471-001210	4 - 8
200109-20661	5 - 22	900238-05010	6 - 13	V485-000040	2 - 29
200109-20662	5 - 22	900238-05016	4 - 10	V553-000010	1 - 10
200109-20663	5 - 22	900238-05022	3 - 5	X692-000020	6 - 5
200111-20664	5 - 22	900238-05025	5 - 9	X692-000021	6 - 5
200124-20660	5 - 16	900242-04010	3 - 33		
200124-20661	5 - 16	900242-05065	3 - 17		
200150-05060	5 - 20	900253-05014	5 - 18		
200152-05060	5 - 21	900253-05014	5 - 34		
200180-08761	5 - 26	900253-05016	5 - 34		
210007-20660	6 - 6	900253-05020	5 - 1		
210014-20560	6 - 7	900253-05020	5 - 1		
210014-20660	6 - 7	900253-05020	5 - 14		
210015-05060	6 - 6	900256-04022	5 - 12		
210027-06562	6 - 12	900256-05010	5 - 40		
210413-05060	6 - 11	900500-00005	3 - 3		
210417-52730	3 - 20	900500-00005	6 - 14		
215012-05060	6 - 8	900500-00008	5 - 24		
215012-20110	6 - 8	900502-00005	5 - 4		
220120-20560	5 - 23	900516-00005	5 - 5		
220120-20561	5 - 23	900580-00004	5 - 41		
220120-20660	5 - 30	900603-00005	3 - 29		
220120-20661	5 - 30	900603-00005	4 - 11		
351000-05060	5 - 32	900603-00005	5 - 6		
351010-05060	5 - 38	900603-00005	5 - 19		
351011-05060	5 - 33	900810-36201	1 - 14		
351028-05060	5 - 35	91358-05025	5 - 9		
351213-54330	5 - 39	94035-36201	1 - 14		
351335-20560	5 - 37	A011-000100	1 - 9		
385155-09660	6 - 15	A011-000160	1 - 9		
437210-11131	4 - 8	A052-000061	2 - 11		
880814-09460	6 - 5	A409-000000	2 - 27		
890115-09560	5 - 15	A409-000100	2 - 27		
890118-09460	6 - 10	A411-000020	2 - 24		

# YAMABIKO CORPORATION

7-2 SUEHIROCHO 1-CHOME, OHME, TOKYO 198-8760, JAPAN  
PHONE: 81-428-32-6118. FAX: 81-428-32-6145.



2400  
No.