

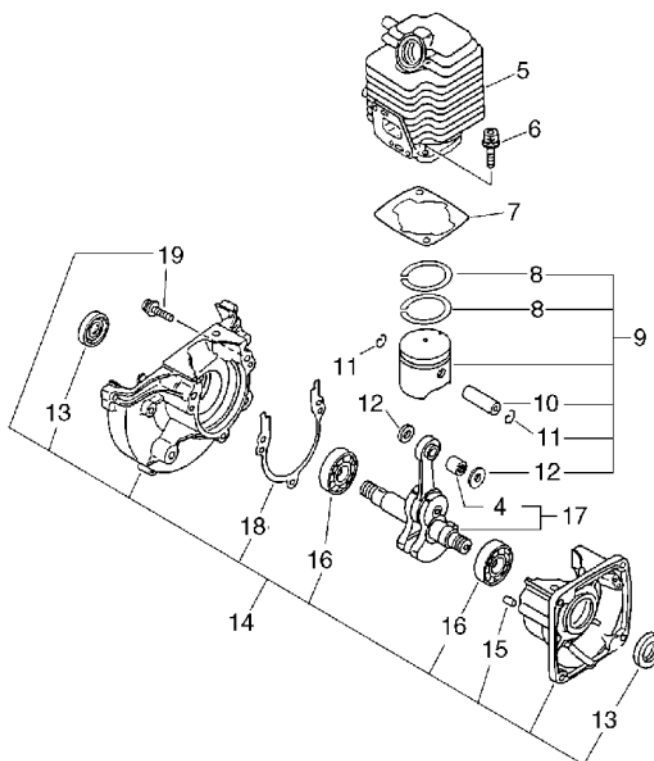


# **PARTS CATALOGUE**

## **SHRED 'N' VAC ES-2000**

# 1. Cylinder, Crankcase, Piston

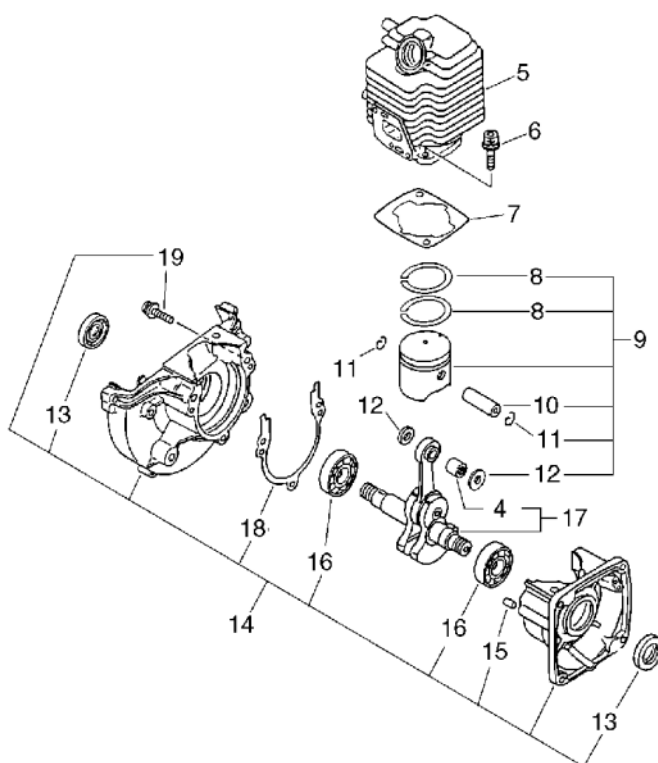
No.1



KEY	LV	PART NUMBER	Q'TY	DESCRIPTION	REMARKS	NOTE1	NOTE2
5		101011-09560	1	CYLINDER			
6		900162-05022	2	BOLT, H.S. 5*22	5*22 W,SW		
7		101010-44330	1	GASKET, CYL. BASE		Sus. by 101010-44332	
7		101010-44331	1	GASKET, CYL. BASE		Sus. by 101010-44332	
7		101010-44332	1	GASKET, CYL. BASE			
9		100000-09560	1	PISTON KIT		Sus. by 100000-09563	
9		100000-09561	1	PISTON KIT		Sus. by 100000-09563	
9		100000-09562	1	PISTON KIT		Sus. by 100000-09563	
9		100000-09563	1	PISTON KIT			
8	+	100011-09560	2	RING, PISTON			
10	+	100013-11520	1	PIN, PISTON			
11	+	100015-04630	2	CIRCLIP, PISTON PIN			
12	+	100014-11520	2	SPACER, PISTON PIN			
14		100204-52130	1	CRANKCASE KIT		Sus. by 100204-52132	
14		100204-52131	1	CRANKCASE KIT		Sus. by 100204-52132	
14		100204-52132	1	CRANKCASE KIT			
13	+	100212-42030	2	OILSEAL	ISCD12*22*4.5	Sus. by 100212-42031	

# 1. Cylinder, Crankcase, Piston

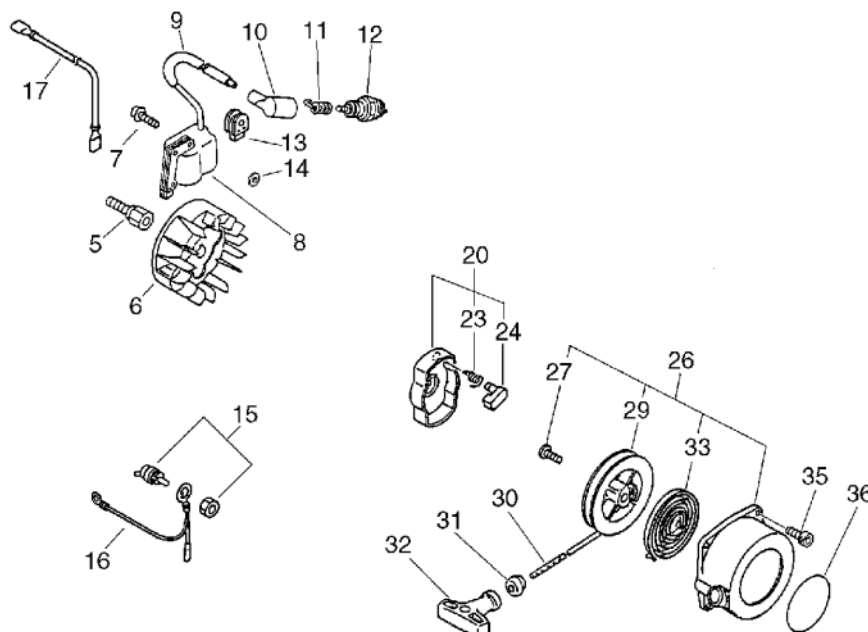
No.1



KEY	LV	PART NUMBER	Q'TY	DESCRIPTION	REMARKS	NOTE1	NOTE2
13	+	100212-42031	2	OILSEAL	ISCD 12*22*4.5		
15	+	100215-03930	2	PIN, DOWEL			
16	+	900810-36201	2	BEARING, BALL 6201	6201/C3	Sus. by 94035-36201	
16	+	94035-36201	2	BEARING BALL	6201X3JR2C3		
18	+	100242-42030	1	GASKET, CRANKCASE			
19	+	900162-05028	3	BOLT, H.S. 5*28	5*28 W,SW		
17		100100-52130	1	CRANKSHAFT ASSY		Sus. by A011-000002	
17		100100-52131	1	CRANKSHAFT ASSY		Sus. by A011-000002	
17		A011-000111	1	CRANKSHAFT,ASM		Sus. by A011-000002	
17		A011-000002	1	CRANKSHAFT,ASM			
4	+	100012-51230	1	BEARING, NEEDLE	8*12*10	Sus. by V553-000010	
4	+	V553-000010	1	BEARING,NEEDLE 8	HK0810		

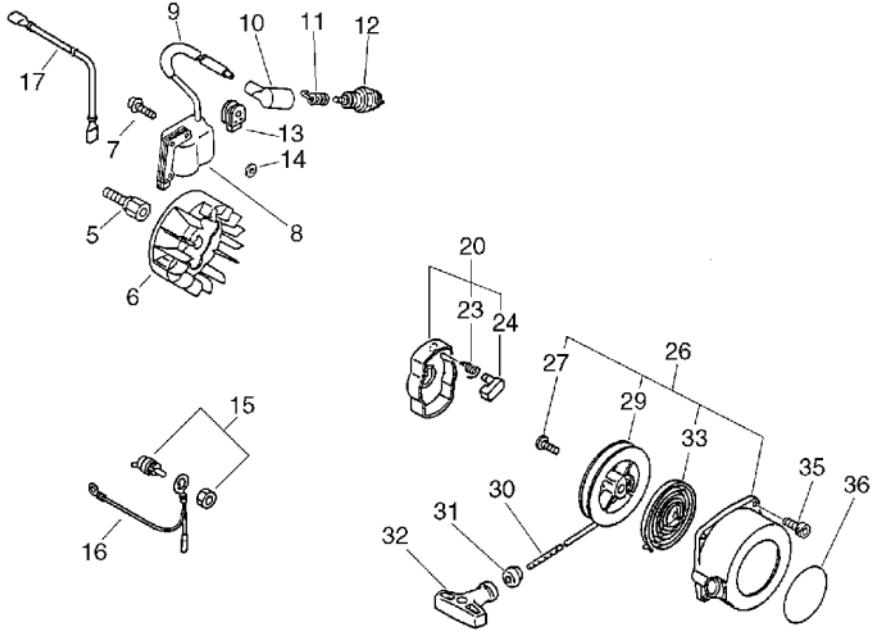
## 2. Starter, Magneto

No.2



KEY	LV	PART NUMBER	Q'TY	DESCRIPTION	REMARKS	NOTE1	NOTE2
5		200011-05661	1	HUB, FAN			
6		158800-06360	1	ROTOR, MAGNETO		Sus. by 158800-20560	
6		158800-20560	1	ROTOR, MAGNETO			
7		900162-04022	2	BOLT, H.S. 4*22	4*22 W,SW		
8		158626-06360	1	COIL, IGNITION		Sus. by 158800-06361	
8		158626-06361	1	COIL, IGNITION			
9		156611-05060	1	TUBE	6*8*150		
10		159012-03433	1	CAP, SPARK PLUG			
11		159011-03432	1	COIL, SPARK PLUG			
12		159017-10230	1	PLUG, SPARK (RCJ-7Y)	RCJ-7Y		
13		150112-05060	1	BUSHING			
14		101531-54330	2	COLLAR			
15		163400-03460	1	SWITCH, IGNITION			
16		162010-08760	1	LEAD, GROUND			
17		162021-08760	1	LEAD			
20		177202-44330	1	PAWL ASSY, STARTER		Sus. by 177202-44331	
20		177202-44331	1	PAWL ASM., STARTER			
23	+	177234-42030	1	SPRING, RETURN		Sus. by 177234-12220	
23	+	177234-12220	1	SPRING, PAWL			
24	+	177218-44330	1	PAWL, STARTER	BLACK		
26		177200-42031	1	STARTER ASSY		Sus. by 177200-42033	

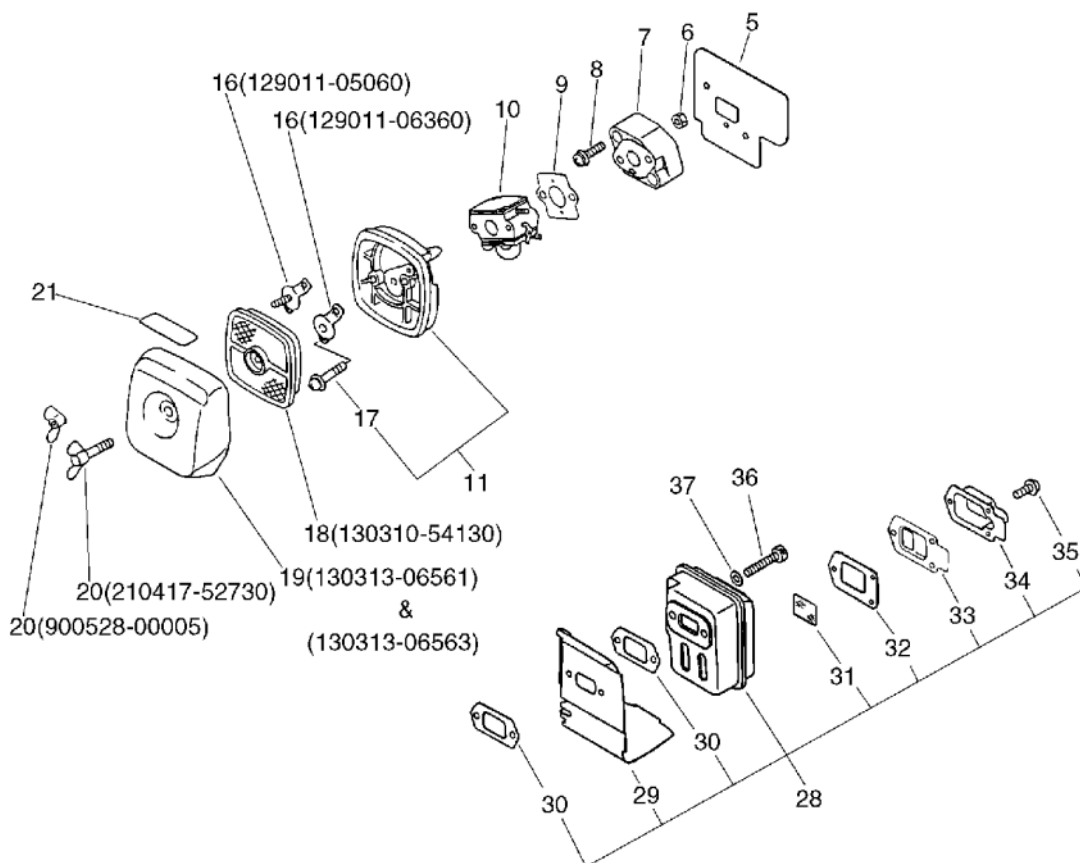
**2. Starter, Magneto**  
No.2



KEY	LV	PART NUMBER	Q'TY	DESCRIPTION	REMARKS	NOTE1	NOTE2
26		177200-42032	1	STARTER ASSY		Sus. by 177200-42033	
26		177200-42033	1	STARTER ASSY			
27	+	177236-44330	1	SCREW			
29	+	177215-42030	1	DRUM, STARTER		Sus. by 177215-44430	
29	+	177215-44430	1	DRUM, STARTER			
30	+	177226-10120	1	ROPE, STARTER	3.0*1000		
31	+	177227-42030	1	GUIDE, ROPE			
32	+	177228-06530	1	GRIP, STARTER			
33	+	177220-42030	1	SPRING, REWIND			
35		900238-04018	2	SCREW 4*18	4*18	Sus. by 900162-04018	
35		900162-04018	2	BOLT, H.S. 4*18	4*18 W,SW		
36		890118-49130	1	LABEL, ECHO			

### 3. Air Cleaner, Muffler

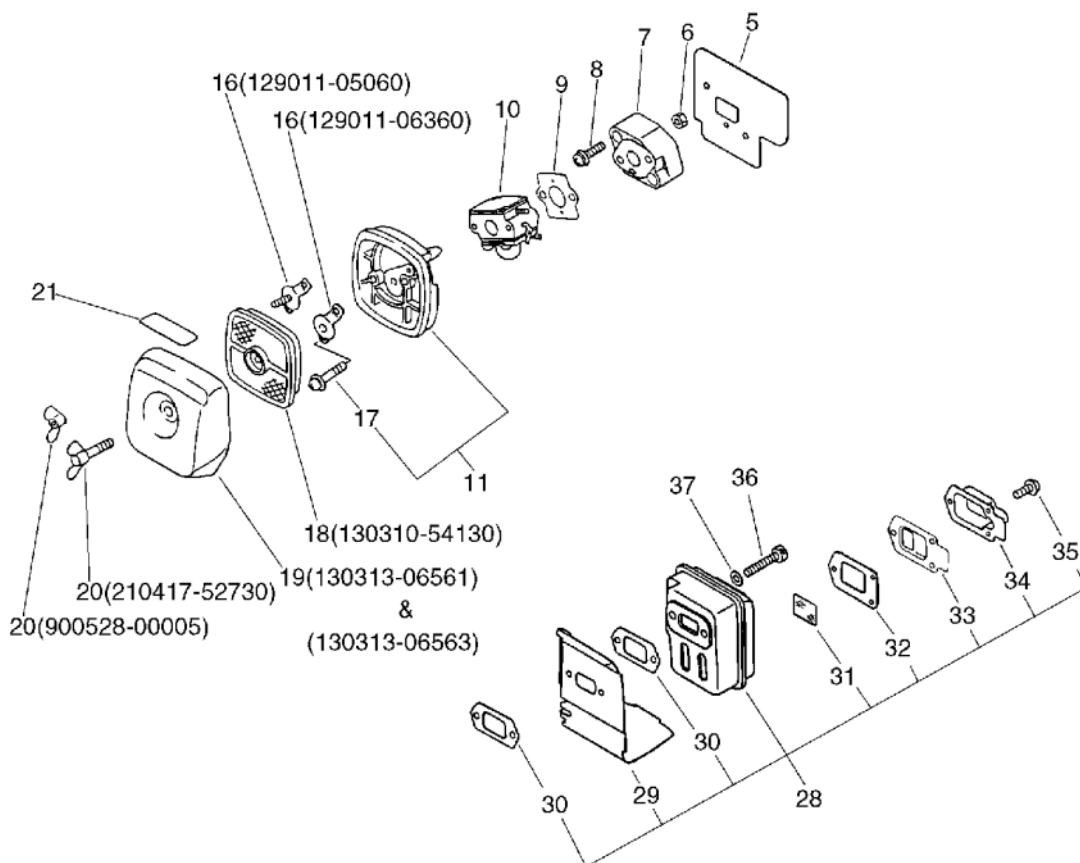
#### No.3



KEY	LV	PART NUMBER	Q'TY	DESCRIPTION	REMARKS	NOTE1	NOTE2
5		130010-05061	1	GASKET		Sus. by 130010-05062	
5		130010-05062	1	GASKET, INTAKE			
6		900500-00005	2	NUT 5	5		
7		130017-05061	1	INSULATOR		Sus. by 130017-05062	
7		130017-05062	1	INSULATOR, INTAKE			
8		900238-05022	2	SCREW 5*22	5*22		
9		130016-42031	1	GASKET, INTAKE		Sus by V103-000111	
9		V103-000111	1	GASKET,INTAKE		Sus by 130016-42031	
9		130016-42031	1	GASKET, INTAKE			
10		125200-09460	1	CARBURETOR ASSY	C1U-K32A	Sus by 125200-09461	
10		125200-09461	1	CARBURETOR C1U-K32	C1U-K32A		
11		130307-06561	1	CASE, AIR CLEANER		Sus by P021-002921	
11		P021-002921	1	CASE, AIR CLEANER			
17	+	900242-05065	2	SCREW 5*65	5*65		
16		129011-05060	1	PLATE		Sr/Nr 019471 to 031415	
16		129011-06360	1	PLATE, PREVENT		Sus. by 129011-06361	
16		129011-06361	1	PLATE, PREVENT		Sr/Nr 031416 and after	

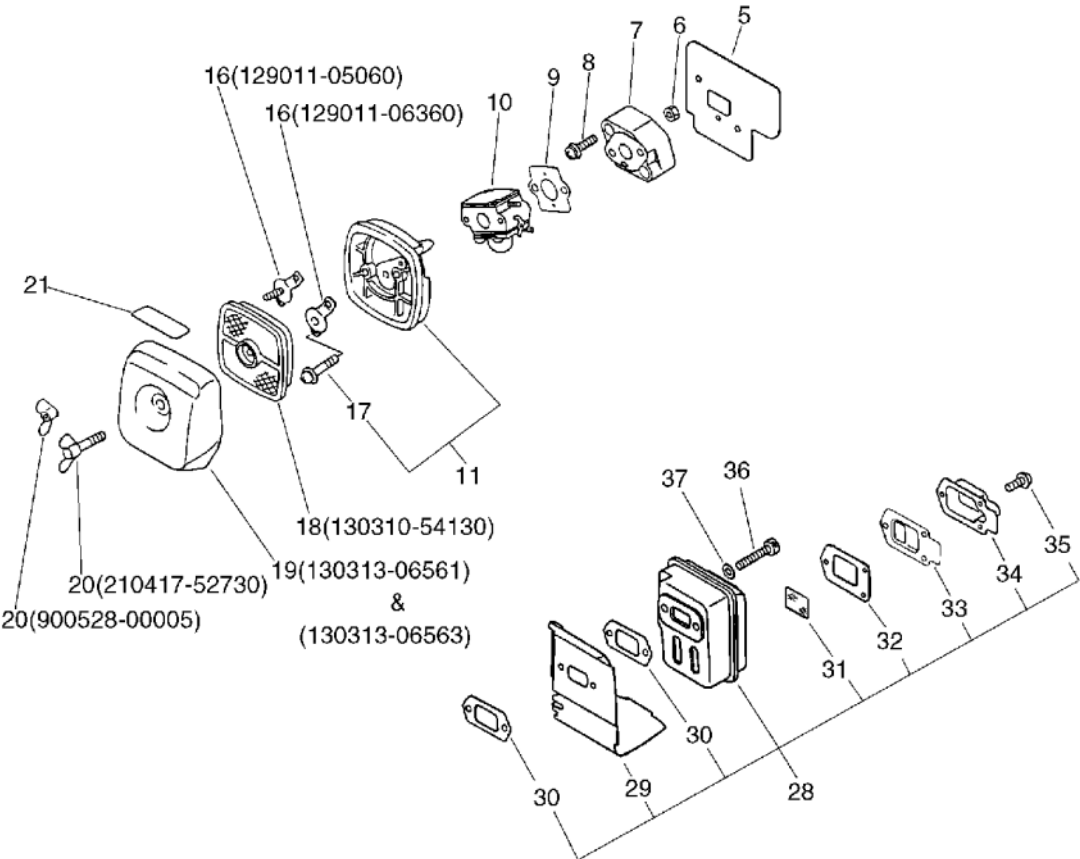
### 3. Air Cleaner, Muffler

No.3



KEY	LV	PART NUMBER	Q'TY	DESCRIPTION	REMARKS	NOTE1	NOTE2
18		130310-54130	1	FILTER, AIR			
19		130313-06560	1	COVER, AIR CLEANER		Sus. by 130313-06561	
19		130313-06561	1	COVER, AIR CLEANER		Sr/Nr 019471 to 031415	
19		130313-06563	1	LID, AIR CLEANER		Sr/Nr 031416 and after	
20		900528-00005	1	NUT	5	Sr/Nr 019471 to 031415	
20		210417-52730	1	BOLT, WING	5*20	Sr/Nr 031416 and after	
21		890121-05360	1	LABEL, METERING			
28		145800-05062	1	MUFFLER ASSY		Sus. by 145800-05063	
28		145800-05063	1	MUFFLER ASSY			
29	+	145871-05760	1	COVER, MUFFLER			
30	+	145510-42031	2	GASKET, MUFFLER		Sus. by V104-000160	
30	+	V104-000160	2	GASKET, EXHAUST			
31	+	145862-40630	1	SCREEN, MUFFLER			
32	+	145866-42031	1	GASKET, MUFFLER LID			
33	+	145876-42030	1	LID, MUFFLER (B)			
34	+	145876-05060	1	PLATE		Sus. by 145876-05061	
34	+	145876-05061	1	PLATE			
35	+	900242-04010	3	SCREW 4*10	4*10		

**3. Air Cleaner, Muffler**  
**No.3**

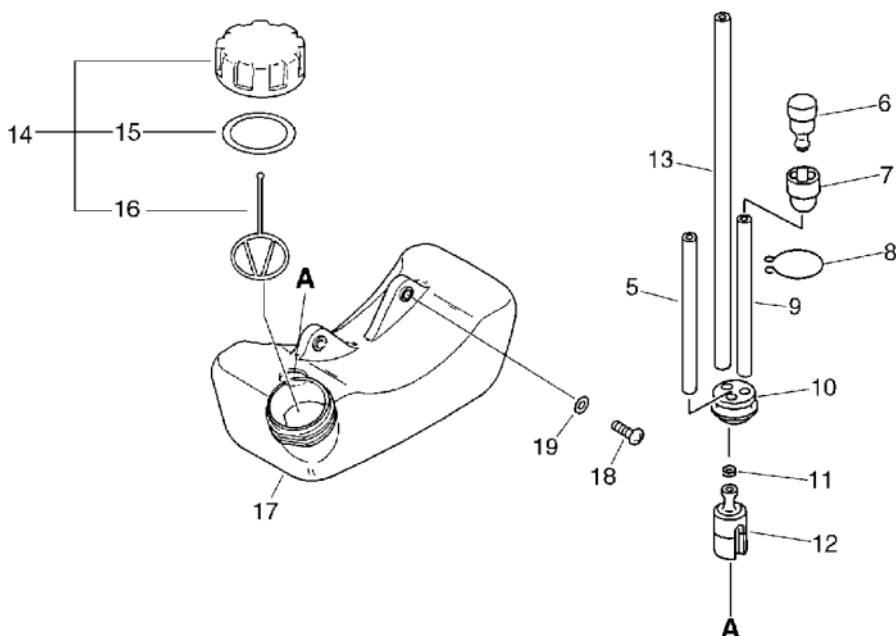


KEY	LV	PART NUMBER	Q'TY	DESCRIPTION	REMARKS	NOTE1	NOTE2
36		900105-05055	2	BOLT, H.S. 5*55	5*55		
37		900600-00005	2	WASHER 5	5		



# 4. Fuel Tank

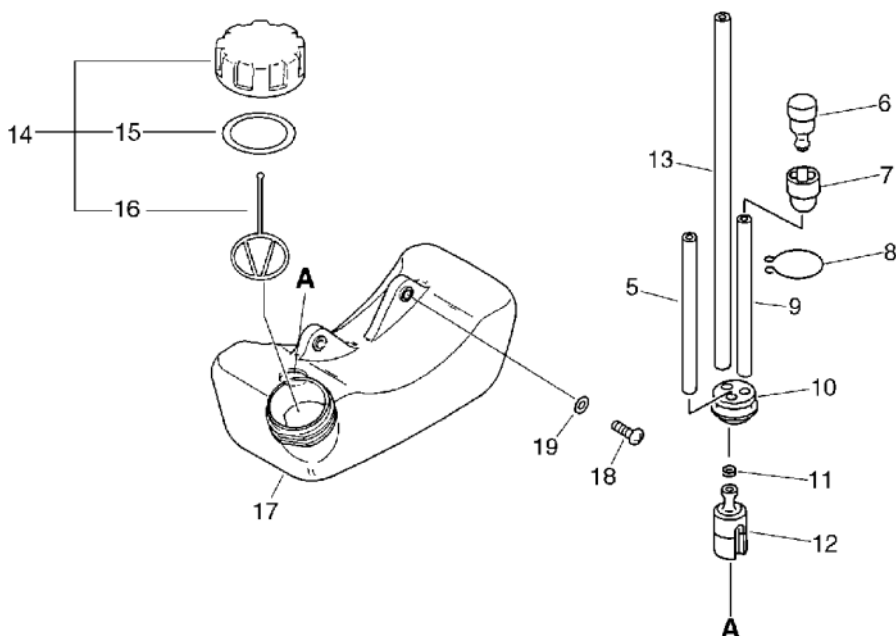
## No.4



KEY	LV	PART NUMBER	Q'TY	DESCRIPTION	REMARKS	NOTE1	NOTE2
5		132012-51030	1	PIPE 3*5* 90	3*5*90 ㇿ ニーㇿ	Sus. by 132010-56330	
5		132010-56330	1	PIPE 3*6*90	3*6*90 YL		
6		131300-40630	1	VALVE, CHECK		Sus. by A356-000030	
6		131300-56430	1	VALVE, CHECK		Sus. by A356-000030	
6		A356-000030	1	VALVE,CHECK			
7		131328-40630	1	COVER, VENT			
8		132013-05060	1	CLIP, PIPE			
9		131312-44330	1	PIPE, 3*5*70L	3*5*70L NBR	Sus. by V471-001200	
9		131312-39130	1	PIPE	3*5*70(+3)NBR	Sus. by V471-001200	
9		V471-001200	1	PIPE	3*5*70 NBR		
10		132115-46730	1	GROMMET, FUEL		Sus. by V137-000030	
10		V137-000030	1	GROMMET, FUEL			
11		132013-09820	1	CLIP	6MM		
12		131205-07320	1	STRAINER, FUEL			
13		132010-13930	1	PIPE, FUEL	3*5*180L NBR	Sus. by V471-001190	
13		V471-001190	1	PIPE	3*5*180 NBR		
14		131004-06560	1	CAP ASSY, FUEL TANK		Sus. by 131004-55530	

# 4. Fuel Tank

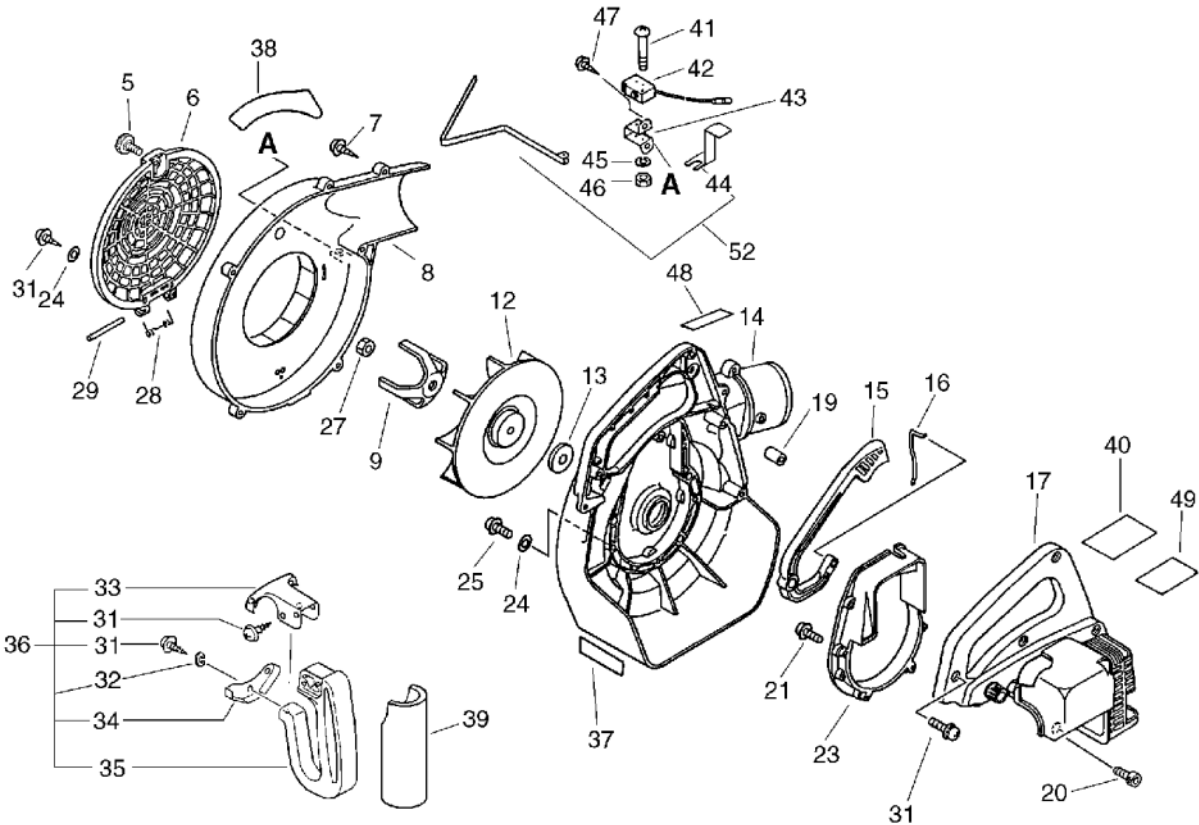
No.4



KEY	LV	PART NUMBER	Q'TY	DESCRIPTION	REMARKS	NOTE1	NOTE2
14		131004-56330	1	CAP ASSY, FUEL TANK		Sus. by 131004-55530	
14		131004-55530	1	CAP ASSY, FUEL TANK			
15	+	131016-40930	1	GASKET, FUEL CAP		Can be used on the 131004-06560 only	
15	+	131016-55830	1	GASKET, FUEL CAP		Can be used on the 131004-55530 only	
16	+	131051-52430	1	CONNECTOR, CAP	80L	Can be used on the 131004-06560 only	
16	+	131051-56030	1	CLIP, FUEL CAP	100L	Can be used on the 131004-55530 only	
17		131005-05760	1	TANK, FUEL WH		Sus. by 131005-05761	
17		131005-05761	1	TANK, FUEL			
18		900238-05016	2	SCREW 5*16	5*16		
19		900603-00005	2	WASHER 5	5.5*12*0.8		

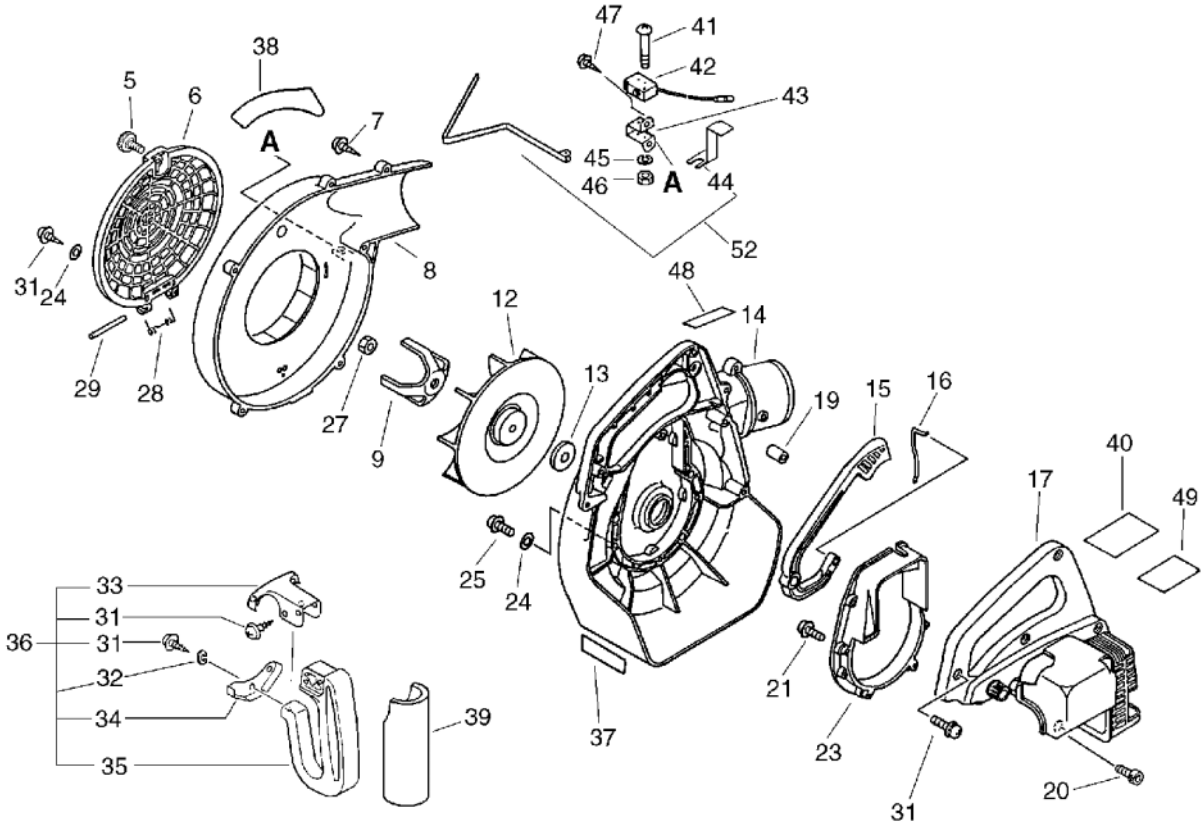
5. Fan Case

No.5



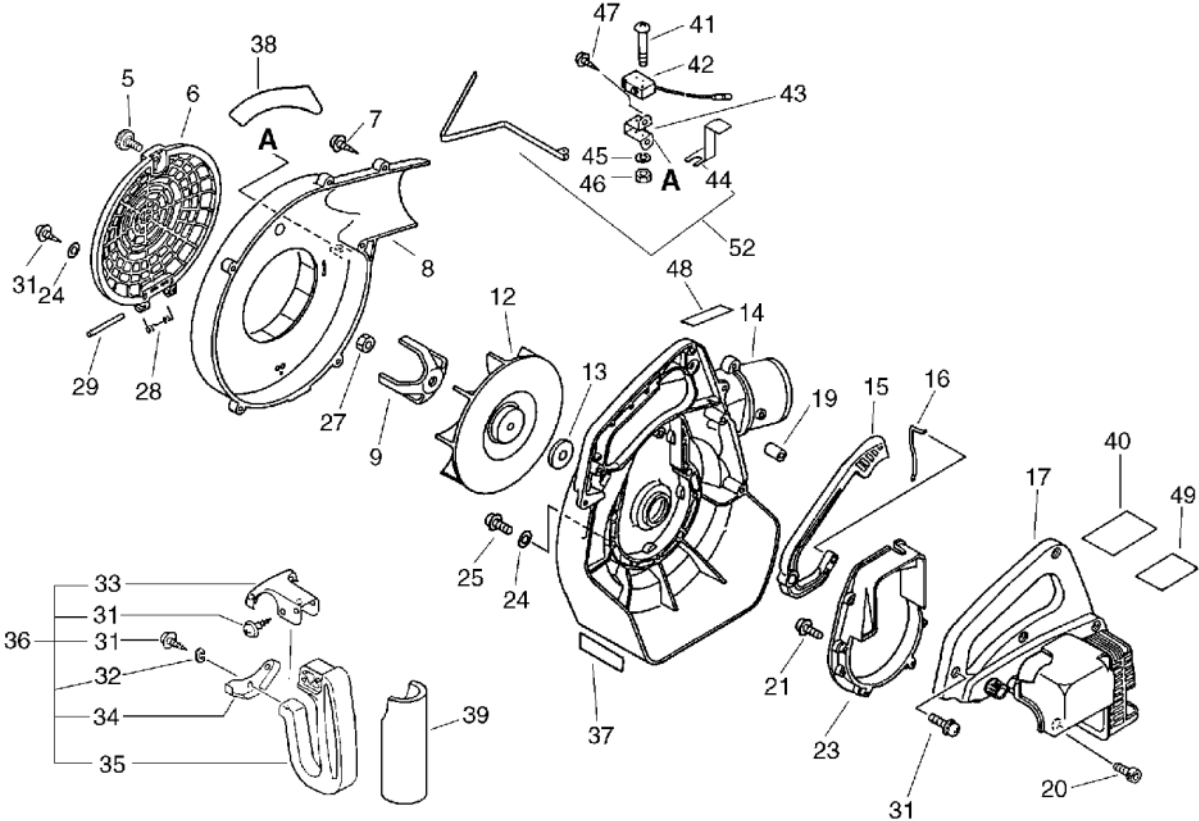
KEY	LV	PART NUMBER	Q'TY	DESCRIPTION	REMARKS	NOTE1	NOTE2
5		130406-05060	1	BOLT, THUMB (BL)		Sus. by V299-000290	
5		130406-06360	1	KNOB, FASTENER		Sus. by V299-000290	
5		130406-20660	1	THUMB		Sus. by V299-000290	
5		V299-000290	1	KNOB,FASTENER	1 KNOB M5X0.8		
6		200124-05061	1	GRID, FAN CAS			
7		900253-05020	6	SCREW 5*20	5*20		
8		200111-08761	1	CASE, FAN			
9		200180-08761	1	CUTTER, SHREDDER			
12		200010-06362	1	FAN		Sus. by 200010-06363	
12		200010-06363	1	FAN			
13		100132-05660	1	WASHER	8.2*30*3.0		
14		200110-06361	1	CASE, FAN			
15		178010-06360	1	CONTROL, THROTTLE			
16		178011-05060	1	ROD, THROTTLE			
17		104008-06360	1	COVER SET, ENGINE			
19		163895-08760	1	COLLAR			
20		900238-04018	2	SCREW 4*18	4*18	Sus. by 900162-04018	
20		900162-04018	2	BOLT, H.S. 4*18	4*18 W,SW		
21		900238-04018	4	SCREW 4*18	4*18		
23		104930-05061	1	BASE, ENGINE			

**5. Fan Case**  
No.5



KEY	LV	PART NUMBER	Q'TY	DESCRIPTION	REMARKS	NOTE1	NOTE2
24		104032-05060	6	WASHER	4.5*15.5*1		
25		900238-04022	5	SCREW 4*22	4*22	Sus. by 900162-04022	
25		900162-04022	5	BOLT, H.S. 4*22	4*22 W,SW		
27		900500-00008	1	NUT 8	8*P1.25		
28		200152-05060	1	SPRING, GRID			
29		200150-05060	1	SHAFT, GRID			
36		351000-05060	1	HANDLE ASSY, REAR			
31	+	900253-05014	3	SCREW 5*14	5*14		
32	+	900605-00005	1	WASHER, SPRING 5	5		
33	+	351011-05060	1	SUPPORTER HANDLE			
34	+	351028-05060	1	SUPPORTER, HANDLE			
35	+	351010-05060	1	HANDLE (BL)			
31		900253-05014	6	SCREW 5*14	5*14		
37		890160-06360	1	LABEL, CAUTION		Sus. by 890160-06361	
37		890160-06361	1	LABEL, CAUTION			
38		890115-09461	1	LABEL, MODEL			
39		351213-54330	1	GRIP, HANDLE			
40		890160-09460	1	LABEL, CAUTION		Sus. by 890160-09461	
40		890160-09461	1	LABEL, CAUTION			
41		163894-08760	2	SCREW 2-56*0.625			
42		163400-08761	1	SWITCH, IGNITION			
43		163810-09260	1	BRACKET, SWITCH			

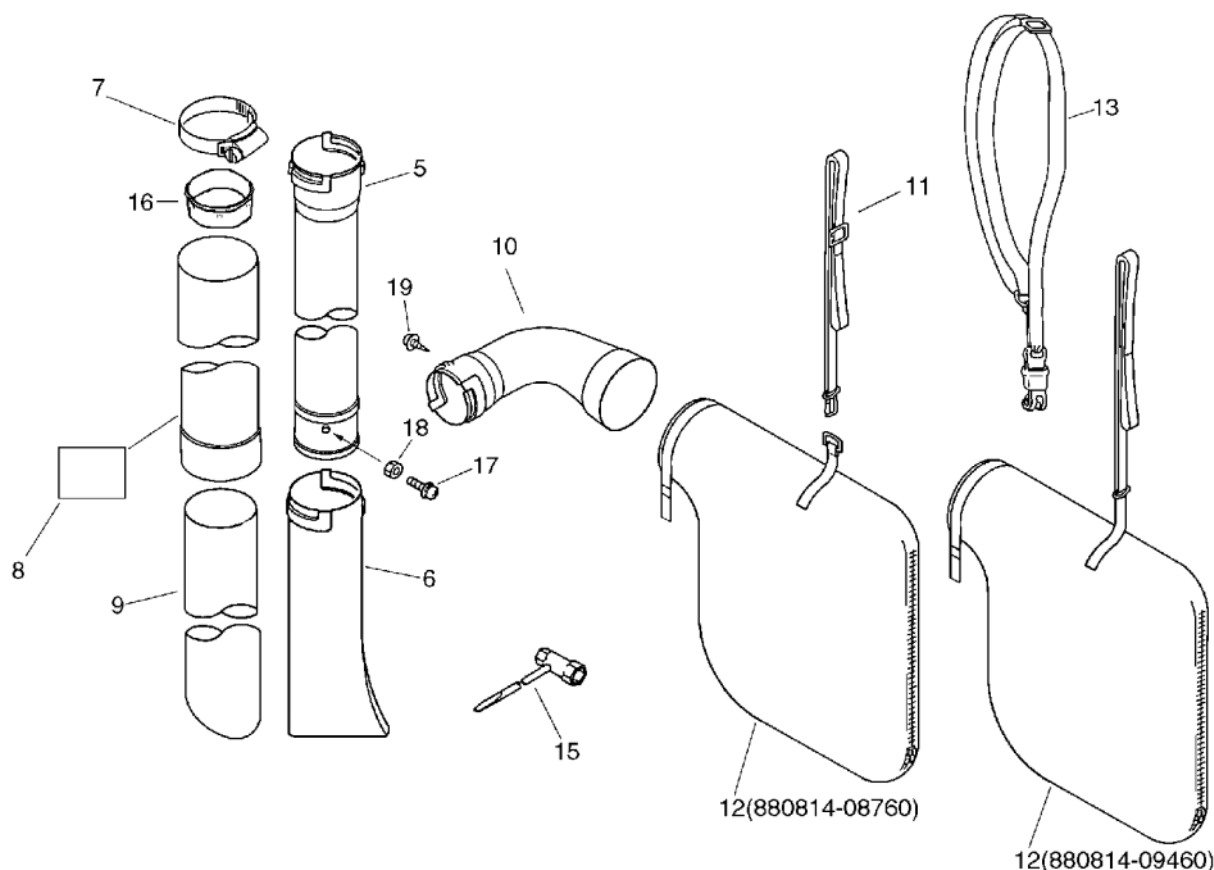
**5. Fan Case**  
No.5



KEY	LV	PART NUMBER	Q'TY	DESCRIPTION	REMARKS	NOTE1	NOTE2
52		163335-09260	1	LEVER, ACTUATOR		Sus. by 163800-09460	
52		163335-09460	1	LEVER, ACTUATOR		Sus. by 163800-09460	
52		163800-09460	1	LEVER KIT, SWITCH			
44	+	163810-09460	1	BRACKET, SWITCH			
45		163892-08760	2	WASHER SPRING			
46		163893-08760	2	NUT			
47		900253-05010	2	SCREW 5*10	5*10		
48		890348-05060	1	LABEL, SPEED			
49		890157-06560	1	LABEL, SWITCH			

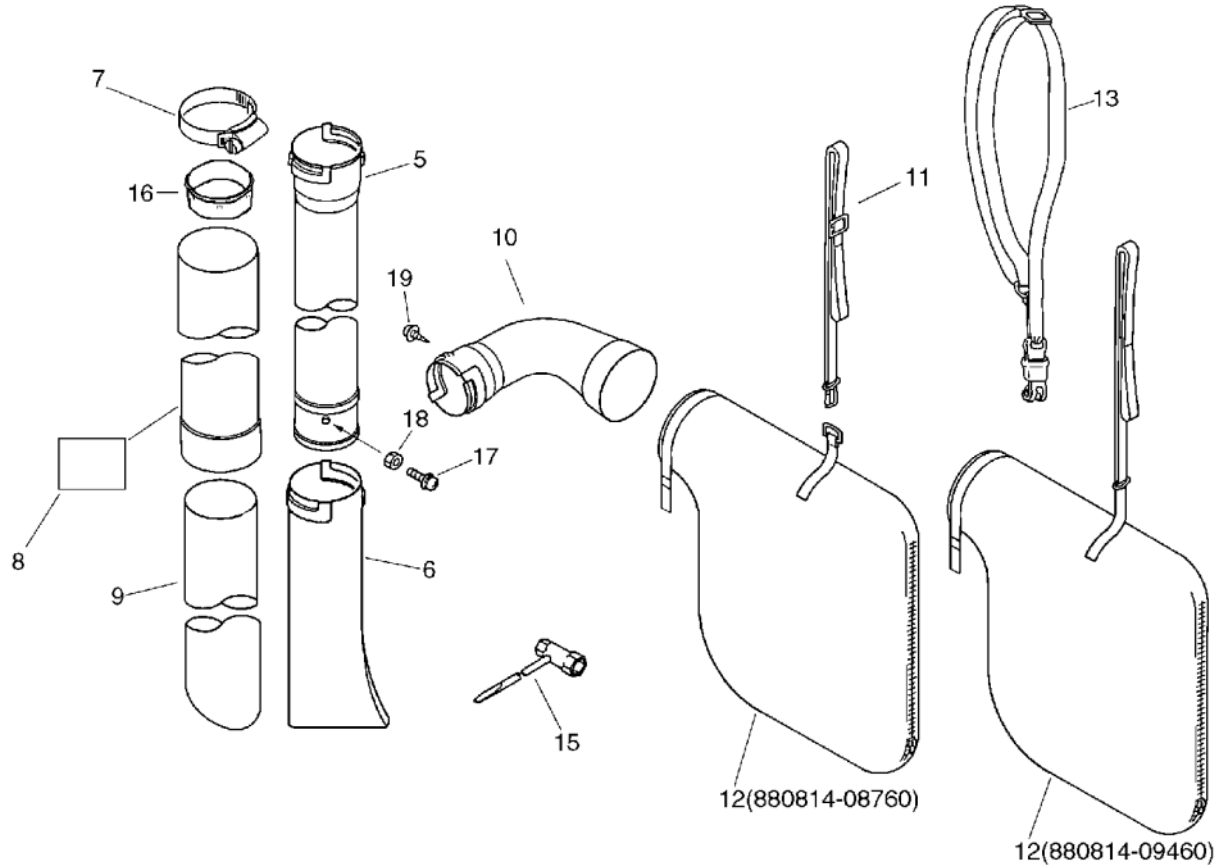
# 6. Pipe, Dust Bag, Tool

No.6



KEY	LV	PART NUMBER	Q'TY	DESCRIPTION	REMARKS	NOTE1	NOTE2
5		210015-05060	1	PIPE, STRAIGHT (BL)		Sus. by 210007-20660	
5		210007-20660	1	PIPE,BLOWER			
17	+	900238-05010	1	SCREW 5*10	5*10		
18	+	900500-00005	1	NUT 5	5		
6		210031-05060	1	NOZZLE, FAN HEAD			
7		210413-05060	1	CLAMP, FLEXIBLE PIPE			
8		890118-09460	2	LABEL, MODEL			
9		210027-06561	1	PIPE, SUCTION	115*880	Sus. by 210027-06562	
9		210027-06562	1	PIPE, SUCTION	115*880		
10		215012-05060	1	CONNECTOR (BL)		Sus. by 215012-20110	
10		215012-20110	1	PIPE,MAIN			
11		301005-05060	1	HARNESS		Sr/Nr 030423 and before	
12		880814-08760	1	BAG, DUST 60L		Sr/Nr 030423 and before	
12		880814-09460	1	BAG, DUST(W/HARNESS)		Sus. by X692-000021	
12		X692-000020	1	BAG,DUST		Sus. by X692-000021	
12		X692-000021	1	BAG,DUST	ECHO	Sr/Nr 030424 and after	
13		301005-09460	1	STRAP, SHOULDER			

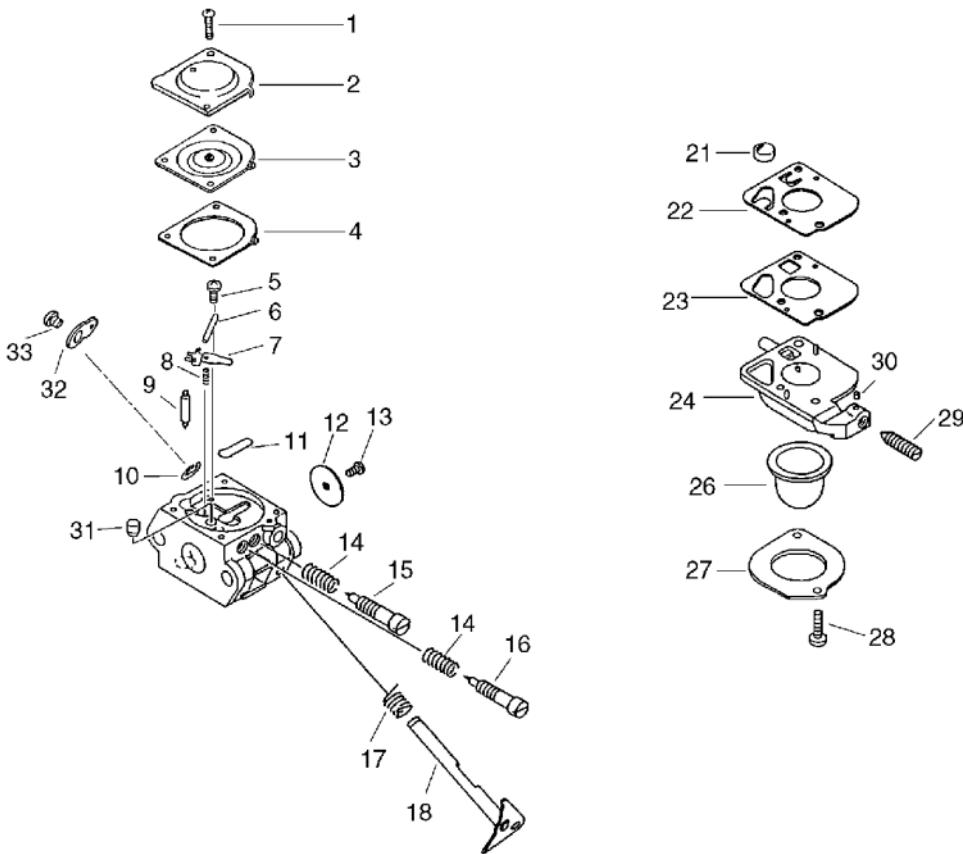
**6. Pipe, Dust Bag, Tool**  
**No.6**



KEY	LV	PART NUMBER	Q'TY	DESCRIPTION	REMARKS	NOTE1	NOTE2
15		895410-09630	1	WRENCH, W/S. DRIVER		Sus. by 895410-07630	
15		895410-07630	1	WRENCH, W/S. DRIVER			
16		385155-09660	1	SLEEVE		OPTION	
19		900256-05010	1	SCREW, TAPPING			

# 7. Carburetor

No.7

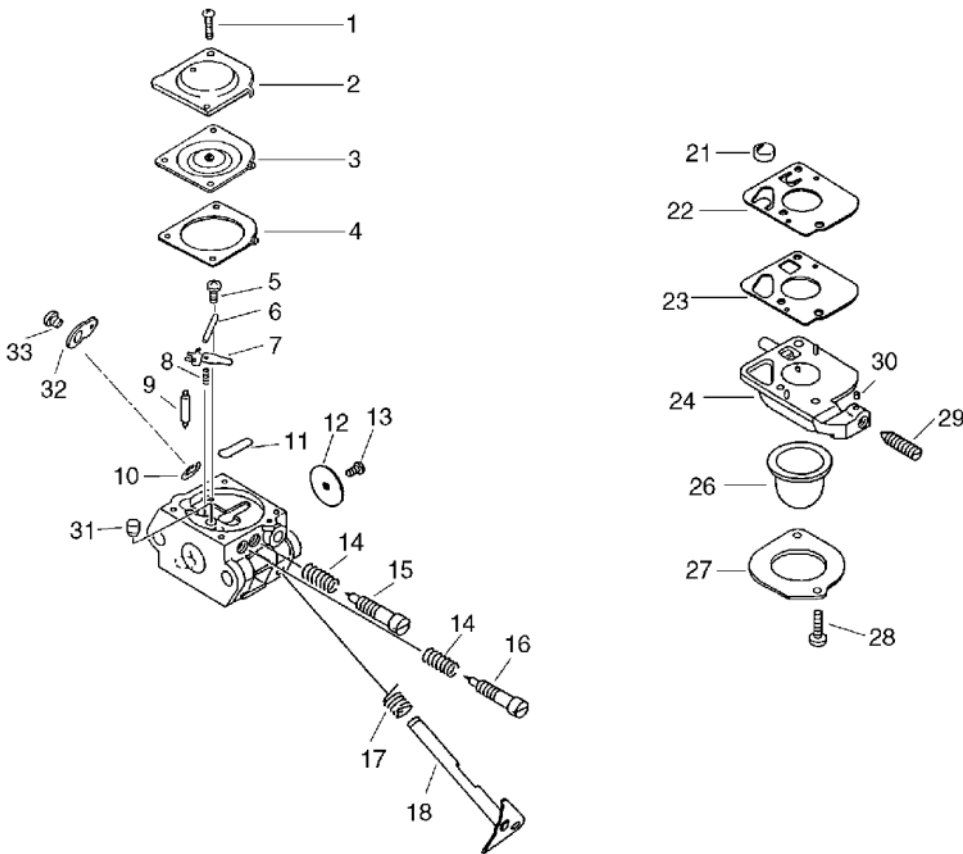


KEY	LV	PART NUMBER	Q'TY	DESCRIPTION	REMARKS	NOTE1	NOTE2
		125200-09460	1	CARBURETOR ASSY	C1U-K32A	Sus by 125200-09461	
		125200-09461	1	CARBURETOR C1U-K32	C1U-K32A		
1	+	125344-52130	2	SCREW			
2	+	125342-52130	1	COVER, DIAPHRAGM		Sus by 125342-13210	
2	+	125342-13210	1	COVER, DIAPHRAGM			
3	+	125341-42030	1	DIAPHRAGM			
4	+	125340-42030	1	GASKET, DIAPHRAGM			
5	+	125339-42030	1	SCREW			
6	+	125338-13930	1	PIN, METERING ARM			
7	+	125323-42030	1	LEVER, METERING			
8	+	125322-42030	1	SPRING, COIL			
9	+	125337-06960	1	VALVE, INLET NEEDLE			
10	+	125327-13930	1	CLIP			
11	+	125345-15130	1	PLUG, WELCH			
12	+	125316-42030	1	VALVE, THROTTLE			
13	+	125314-13930	1	SCREW	3*4		
14	+	125319-42030	2	SPRING, COIL			
15	+	125318-42030	1	NEEDLE, IDLE			
16	+	125320-07260	1	NEEDLE, HIGH SPEED			
17	+	125313-42030	1	SPRING, THRT. RETURN			
18	+	125317-06860	1	SHAFT, THROTTLE			
21	+	125326-42030	1	STRAINER			
22	+	125312-42030	1	DIAPHRAGM, FUEL PUMP			



7. Carburetor

No.7



KEY	LV	PART NUMBER	Q'TY	DESCRIPTION	REMARKS	NOTE1	NOTE2
23	+	125325-42030	1	GASKET, FUEL PUMP		Sus by 125325-13310	
23	+	125325-13310	1	GASKET, PUMP			
24	+	125324-11610	1	COVER, PUMP		Sus by P005-000990	
24	+	125383-13310	1	BASE, PRIMER			
24	+	P005-000990	1	BASE,PRIMER			
26	+	125381-46730	1	PUMP, PRIMING		Sus by 125381-08660	
26	+	125381-08660	1	PUMP, PRIMING			
27	+	125363-11610	1	RING			
28	+	125310-11610	2	SCREW			
29	+	125334-06860	1	SCREW, IDLE ADJUST			
30	+	125378-13930	1	PIECE, FRICTION			
31	+	125376-51030	1	NOZZLE, CHECK VALVE			
32	+	125350-05060	1	LEVER, THROTTLE			
33	+	125348-13930	1	SCREW			
		125303-42030	1	GASKET/DIAPHRAGM KIT			
		125300-42030	1	REBUILD KIT			

8. Repair Kit

KEY	LV	PART NUMBER	Q'TY	DESCRIPTION	REMARKS	NOTE1	NOTE2
		889000-05063	1	GASKET KIT			
	+	145631-42030	1	COVER, MUFFLER			
	+	101010-44331	1	GASKET, CYL. BASE		Sus. by 101010-44332	
	+	101010-44332	1	GASKET, CYL. BASE			
	+	100242-42030	1	GASKET, CRANKCASE			
	+	130010-05062	1	GASKET, INTAKE			
	+	130016-42031	1	GASKET, INTAKE			
	+	130010-42032	1	GASKET,INTAKE			
	+	145510-42031	2	GASKET, MUFFLER		Sus. by V104-000160	
	+	V104-000160	2	GASKET,EXHAUST			
		125303-42030	1	GASKET/DIAPHRAGM KIT			
7-3	+	125341-42030	1	DIAPHRAGM			
7-4	+	125340-42030	1	GASKET, DIAPHRAGM			
7-22	+	125312-42030	1	DIAPHRAGM, FUEL PUMP			
	+	125325-42030	1	GASKET, FUEL PUMP		Sus. by 125325-13310	
7-23	+	125325-13310	1	GASKET, PUMP			
		125300-42030	1	REBUILD KIT			
7-3	+	125341-42030	1	DIAPHRAGM			
7-4	+	125340-42030	1	GASKET, DIAPHRAGM			
7-6	+	125338-13930	1	PIN, METERING ARM			
7-7	+	125323-42030	1	LEVER, METERING			
7-8	+	125322-42030	1	SPRING, COIL			
7-9	+	125337-06960	1	VALVE,INLET NEEDLE			

8. Repair Kit

KEY	LV	PART NUMBER	Q'TY	DESCRIPTION	REMARKS	NOTE1	NOTE2
7-11	+	125345-15130	1	PLUG, WELCH			
7-21	+	125326-42030	1	STRAINER			
7-22	+	125312-42030	1	DIAPHRAGM, FUEL PUMP			
	+	125325-42030	1	GASKET, FUEL PUMP		Sus. by 125325-13310	
7-23	+	125325-13310	1	GASKET, PUMP			

**Index**

<b>Patrs Number</b>	<b>Key No.</b>	<b>Patrs Number</b>	<b>Key No.</b>	<b>Patrs Number</b>	<b>Key No.</b>
100000-09560	1 - 9	125322-42030	7 - 8	130017-05061	3 - 7
100000-09561	1 - 9	125322-42030	8 - 7-8	130017-05062	3 - 7
100000-09562	1 - 9	125323-42030	7 - 7	130307-06561	3 - 11
100000-09563	1 - 9	125323-42030	8 - 7-7	130310-54130	3 - 18
100011-09560	1 - 8	125324-11610	7 - 24	130313-06560	3 - 19
100012-51230	1 - 4	125325-13310	7 - 23	130313-06561	3 - 19
100013-11520	1 - 10	125325-13310	8 - 7-23	130313-06563	3 - 19
100014-11520	1 - 12	125325-13310	8 - 7-23	130406-05060	5 - 5
100015-04630	1 - 11	125325-42030	7 - 23	130406-06360	5 - 5
100100-52130	1 - 17	125325-42030	8 -	130406-20660	5 - 5
100100-52131	1 - 17	125325-42030	8 -	131004-06560	4 - 14
100132-05660	5 - 13	125326-42030	7 - 21	131004-55530	4 - 14
100204-52130	1 - 14	125326-42030	8 - 7-21	131004-56330	4 - 14
100204-52131	1 - 14	125327-13930	7 - 10	131005-05760	4 - 17
100204-52132	1 - 14	125334-06860	7 - 29	131005-05761	4 - 17
100212-42030	1 - 13	125337-06960	7 - 9	131016-40930	4 - 15
100212-42031	1 - 13	125337-06960	8 - 7-9	131016-55830	4 - 15
100215-03930	1 - 15	125338-13930	7 - 6	131051-52430	4 - 16
100242-42030	1 - 18	125338-13930	8 - 7-6	131051-56030	4 - 16
100242-42030	8 -	125339-42030	7 - 5	131205-07320	4 - 12
101010-44330	1 - 7	125340-42030	7 - 4	131300-40630	4 - 6
101010-44331	1 - 7	125340-42030	8 - 7-4	131300-56430	4 - 6
101010-44331	8 -	125340-42030	8 - 7-4	131312-39130	4 - 9
101010-44332	1 - 7	125341-42030	7 - 3	131312-44330	4 - 9
101010-44332	8 -	125341-42030	8 - 7-3	131328-40630	4 - 7
101011-09560	1 - 5	125341-42030	8 - 7-3	132010-13930	4 - 13
101531-54330	2 - 14	125342-13210	7 - 2	132010-56330	4 - 5
104008-06360	5 - 17	125342-52130	7 - 2	132012-51030	4 - 5
104032-05060	5 - 24	125344-52130	7 - 1	132013-05060	4 - 8
104930-05061	5 - 23	125345-15130	7 - 11	132013-09820	4 - 11
125200-09460	3 - 10	125345-15130	8 - 7-11	132115-46730	4 - 10
125200-09460	7 -	125348-13930	7 - 33	145510-42031	3 - 30
125200-09461	3 - 10	125350-05060	7 - 32	145510-42031	8 -
125200-09461	7 -	125363-11610	7 - 27	145631-42030	8 -
125300-42030	7 -	125376-51030	7 - 31	145800-05062	3 - 28
125300-42030	8 -	125378-13930	7 - 30	145800-05063	3 - 28
125303-42030	7 -	125381-08660	7 - 26	145862-40630	3 - 31
125303-42030	8 -	125381-46730	7 - 26	145866-42031	3 - 32
125310-11610	7 - 28	125383-13310	7 - 24	145871-05760	3 - 29
125312-42030	7 - 22	129011-05060	3 - 16	145876-05060	3 - 34
125312-42030	8 - 7-22	129011-06360	3 - 16	145876-05061	3 - 34
125312-42030	8 - 7-22	129011-06361	3 - 16	145876-42030	3 - 33
125313-42030	7 - 17	130010-05061	3 - 5	150112-05060	2 - 13
125314-13930	7 - 13	130010-05062	3 - 5	156611-05060	2 - 9
125316-42030	7 - 12	130010-05062	8 -	158626-06360	2 - 8
125317-06860	7 - 18	130010-42032	8 -	158626-06361	2 - 8
125318-42030	7 - 15	130016-42031	3 - 9	158800-06360	2 - 6
125319-42030	7 - 14	130016-42031	3 - 9	158800-20560	2 - 6
125320-07260	7 - 16	130016-42031	8 -	159011-03432	2 - 11

**Index**

<b>Patrs Number</b>	<b>Key No.</b>	<b>Patrs Number</b>	<b>Key No.</b>	<b>Patrs Number</b>	<b>Key No.</b>
159012-03433	2 - 10	215012-20110	6 - 10	900600-00005	3 - 37
159017-10230	2 - 12	301005-05060	6 - 11	900603-00005	4 - 19
162010-08760	2 - 16	301005-09460	6 - 13	900605-00005	5 - 32
162021-08760	2 - 17	351000-05060	5 - 36	900810-36201	1 - 16
163335-09260	5 - 52	351010-05060	5 - 35	94035-36201	1 - 16
163335-09460	5 - 52	351011-05060	5 - 33	A011-000002	1 - 17
163400-03460	2 - 15	351028-05060	5 - 34	A011-000111	1 - 17
163400-08761	5 - 42	351213-54330	5 - 39	A356-000030	4 - 6
163800-09460	5 - 52	385155-09660	6 - 16	P005-000990	7 - 24
163810-09260	5 - 43	880814-08760	6 - 12	P021-002921	3 - 11
163810-09460	5 - 44	880814-09460	6 - 12	V103-000111	3 - 9
163892-08760	5 - 45	889000-05063	8 -	V104-000160	3 - 30
163893-08760	5 - 46	890115-09461	5 - 38	V104-000160	8 -
163894-08760	5 - 41	890118-09460	6 - 8	V137-000030	4 - 10
163895-08760	5 - 19	890118-49130	2 - 36	V299-000290	5 - 5
177200-42031	2 - 26	890121-05360	3 - 21	V471-001190	4 - 13
177200-42032	2 - 26	890157-06560	5 - 49	V471-001200	4 - 9
177200-42033	2 - 26	890160-06360	5 - 37	V553-000010	1 - 4
177202-44330	2 - 20	890160-06361	5 - 37	X692-000020	6 - 12
177202-44331	2 - 20	890160-09460	5 - 40	X692-000021	6 - 12
177215-42030	2 - 29	890160-09461	5 - 40		
177215-44430	2 - 29	890348-05060	5 - 48		
177218-44330	2 - 24	895410-07630	6 - 15		
177220-42030	2 - 33	895410-09630	6 - 15		
177226-10120	2 - 30	900105-05055	3 - 36		
177227-42030	2 - 31	900162-04018	2 - 35		
177228-06530	2 - 32	900162-04018	5 - 20		
177234-12220	2 - 23	900162-04022	2 - 7		
177234-42030	2 - 23	900162-04022	5 - 25		
177236-44330	2 - 27	900162-05022	1 - 6		
178010-06360	5 - 15	900162-05028	1 - 19		
178011-05060	5 - 16	900238-04018	2 - 35		
200010-06362	5 - 12	900238-04018	5 - 20		
200010-06363	5 - 12	900238-04018	5 - 21		
200011-05661	2 - 5	900238-04022	5 - 25		
200110-06361	5 - 14	900238-05010	6 - 17		
200111-08761	5 - 8	900238-05016	4 - 18		
200124-05061	5 - 6	900238-05022	3 - 8		
200150-05060	5 - 29	900242-04010	3 - 35		
200152-05060	5 - 28	900242-05065	3 - 17		
200180-08761	5 - 9	900253-05010	5 - 47		
210007-20660	6 - 5	900253-05014	5 - 31		
210015-05060	6 - 5	900253-05014	5 - 31		
210027-06561	6 - 9	900253-05020	5 - 7		
210027-06562	6 - 9	900256-05010	6 - 19		
210031-05060	6 - 6	900500-00005	3 - 6		
210413-05060	6 - 7	900500-00005	6 - 18		
210417-52730	3 - 20	900500-00008	5 - 27		
215012-05060	6 - 10	900528-00005	3 - 20		

# YAMABIKO CORPORATION

7-2 SUEHIROCHO 1-CHOME, OHME, TOKYO 198-8760, JAPAN  
PHONE: 81-428-32-6118. FAX: 81-428-32-6145.



2000  
No.