

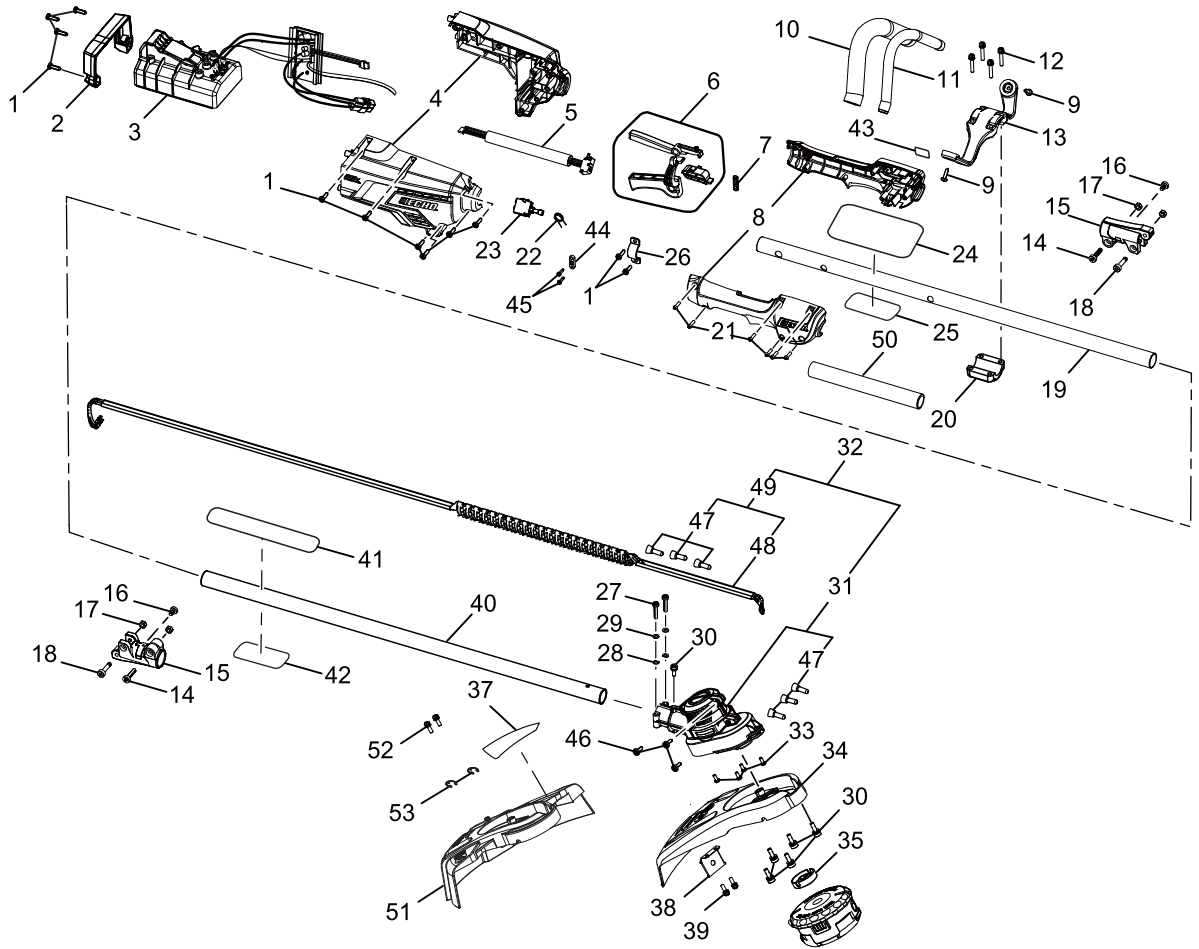
ECDST-58V

Published:07/03/2018

TABLE OF CONTENTS

TRIMMER.....	1
--------------	---

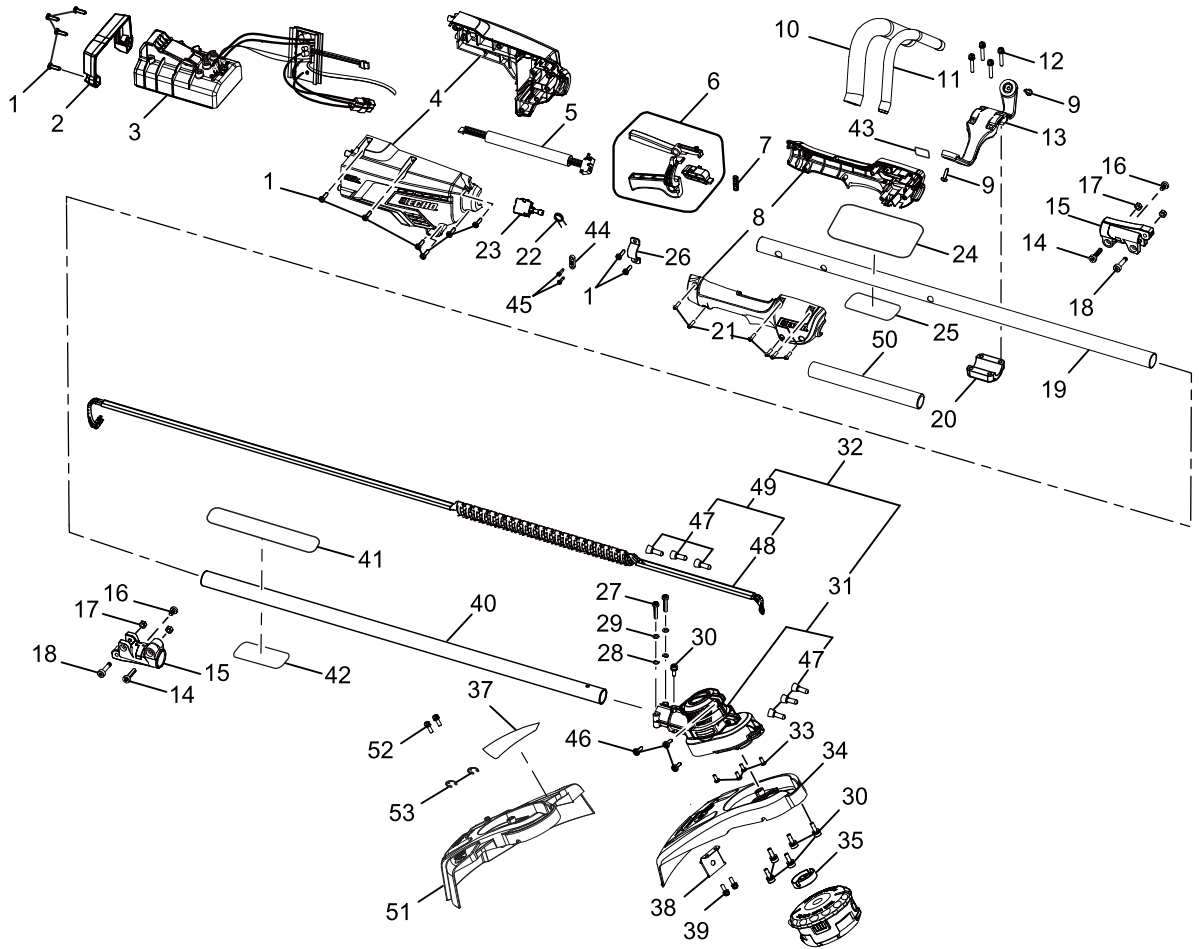
TRIMMER



TRIMMER

KEY NO	LV(+)	Part No	Description	Qty	Standard	Comment
1		662051002	SCREW	12	T25,M5	
2		534165001	FASTENER	1		
3		206698002	CONTROLLER	1		
4		206706001	COVER,MOTOR ASY	1		
5		206699001	SWITCH ASY	1		
6		351052001	LEVER ASY	1		
7		679973001	SPRING	1		
8		307839001	REAR HANDLE	1		
9		662185001	SCREW	2	T25	
10		563598001	GRIP	1		
11		528391002	FRONT HANDLE	1		
12		662184001	SCREW	4	M5*0.8	
13		528392002	HANDLE BRACKET	1		
14		662151001	SCREW	2	M6.0*1,TORX 25	
15		643262001	COUPLING	2		
16		662153001	SCREW	2	M5.0*0.8,TORX T25	
17		678610006	LOCK NUT	4	M6	
18		T662716001	SCREW	2		
19		205032002	UPPER PIPE ASY	1		
20		528393002	CLAMP	1		
21		660024061	SCREW	6	M4*1.8	
22		694572001	SPRING	1		
23		760952002	SWITCH	1		
24		940657315	LABEL	1		
25		941588257	LABEL	1		
26		639806001	CLAMP	1		
27		662174001	SCREW	2	T25,M5*26	
28		636270001	WASHER	2		
29		636603001	WASHER	2	5.2*10	
30		662158001	SCREW	6	T25*16	
31		205055001	MOTOR ASY	1		
32		205056001	MOTOR ASY	1		
33		660925002	SCREW	4	M4*9,T20	
34		535232001	SHIELD,BLADE	1		
35		643254001	WASHER	1		
37		940851390	LABEL	1		
38		637849001	KNIFE, CORD	1		
39		660208052	SCREW	2		
40		205033002	LOWER PIPE ASY	1		
41		940851049	LABEL	1		
42		940851389	LABEL	1		
43		940851047	LABEL	1		
44		513211001	CLAMP	1		
45		661817001	SCREW	2	M4*14	
46		660608003	SCREW	3	M4,T20	
47		790009004	WIRE CONNECTOR	3		

TRIMMER



TRIMMER

KEY NO	LV(+)	Part No	Description	Qty	Standard	Comment
48		291823001	HARNESS,WIRE	1		
49		205054001	HARNESS,WIRE	1		
50		564772001	GRIP	1		
51		120817001	SHIELD,BLADE	1		
52		662531001	WASHER	2		
53		678879001	E-RING	2		

NUMERICAL PARTS INDEX

Part No	Part description	Page	Part No	Part description	Page
120817001	SHIELD, BLADE	4	760952002	SWITCH	2
205032002	UPPER PIPE ASY	2	790009004	WIRE CONNECTOR	2
205033002	LOWER PIPE ASY	2	940657315	LABEL	2
205054001	HARNESS, WIRE	4	940851047	LABEL	2
205055001	MOTOR ASY	2	940851049	LABEL	2
205056001	MOTOR ASY	2	940851389	LABEL	2
206698002	CONTROLLER	2	940851390	LABEL	2
206699001	SWITCH ASY	2	941588257	LABEL	2
206706001	COVER, MOTOR ASY	2	T662716001	SCREW	2
291823001	HARNESS, WIRE	4			
307839001	REAR HANDLE	2			
351052001	LEVER ASY	2			
513211001	CLAMP	2			
528391002	FRONT HANDLE	2			
528392002	HANDLE BRACKET	2			
528393002	CLAMP	2			
534165001	FASTENER	2			
535232001	SHIELD, BLADE	2			
563598001	GRIP	2			
564772001	GRIP	4			
636270001	WASHER	2			
636603001	WASHER	2			
637849001	KNIFE, CORD	2			
639806001	CLAMP	2			
643254001	WASHER	2			
643262001	COUPLING	2			
660024061	SCREW	2			
660208052	SCREW	2			
660608003	SCREW	2			
660925002	SCREW	2			
661817001	SCREW	2			
662051002	SCREW	2			
662151001	SCREW	2			
662153001	SCREW	2			
662158001	SCREW	2			
662174001	SCREW	2			
662184001	SCREW	2			
662185001	SCREW	2			
662531001	WASHER	4			
678610006	LOCK NUT	2			
678879001	E-RING	4			
679973001	SPRING	2			
694572001	SPRING	2			