

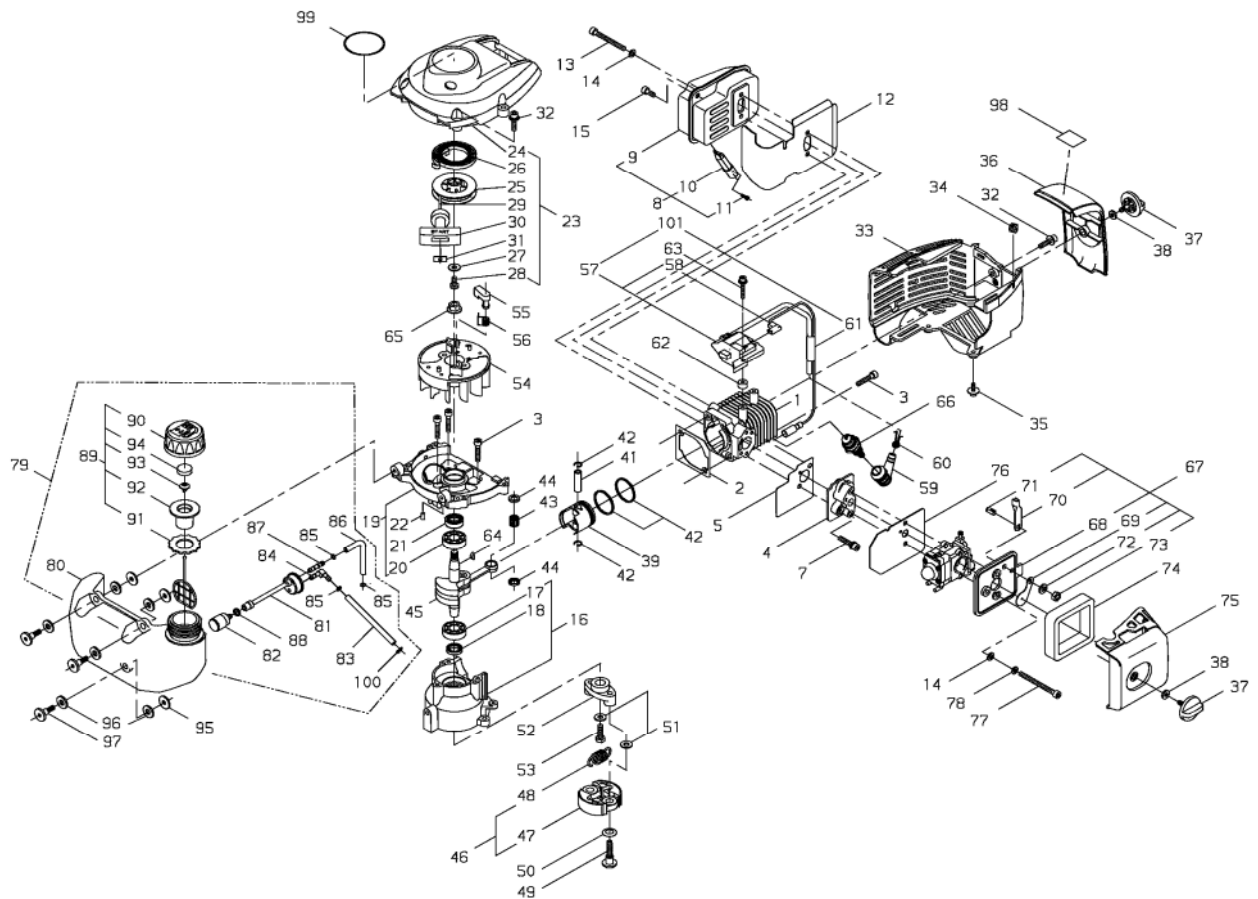
shindaiwa[®]

PARTS CATALOGUE

HEDGE TRIMMER DH230 EC1-24

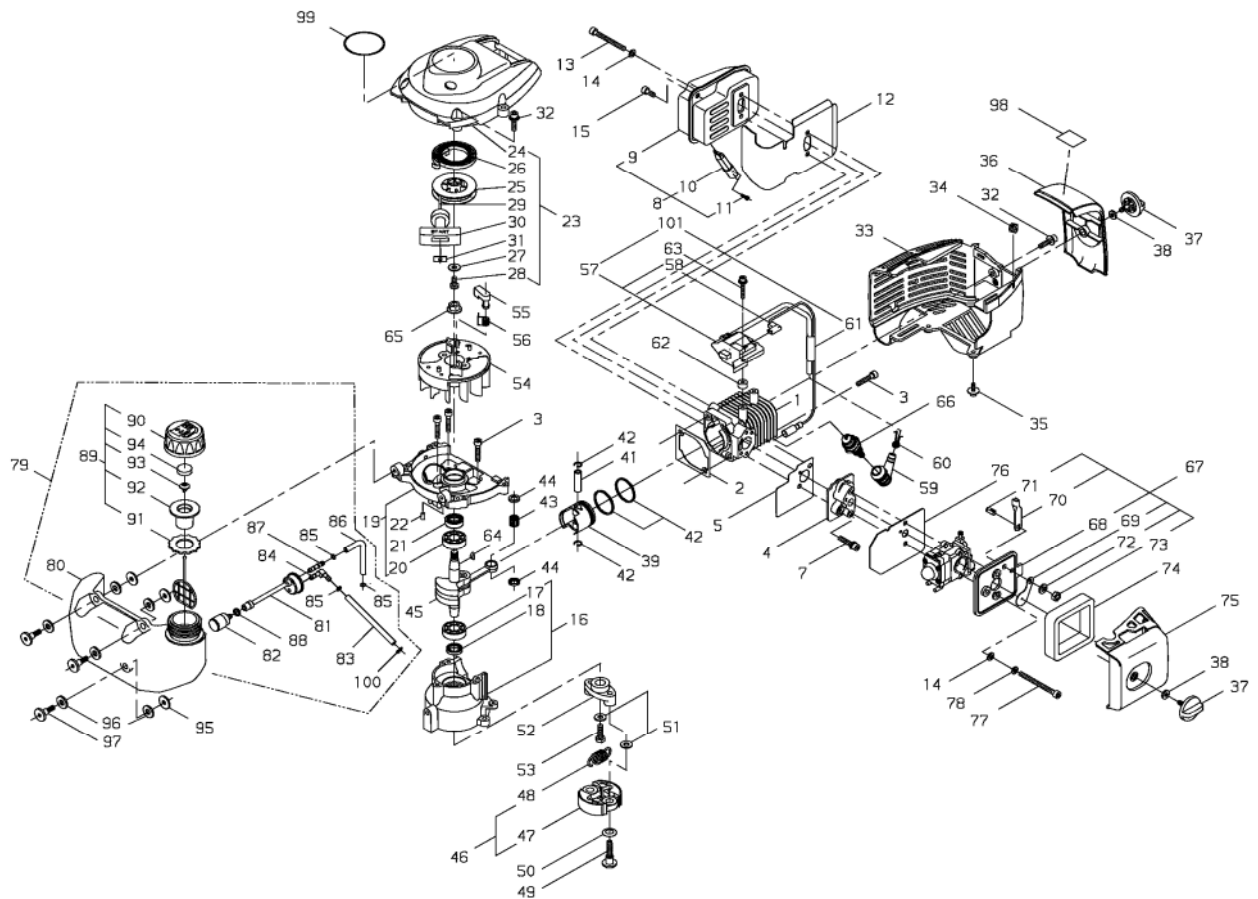
DH230 EC1-24

1. Ref.1



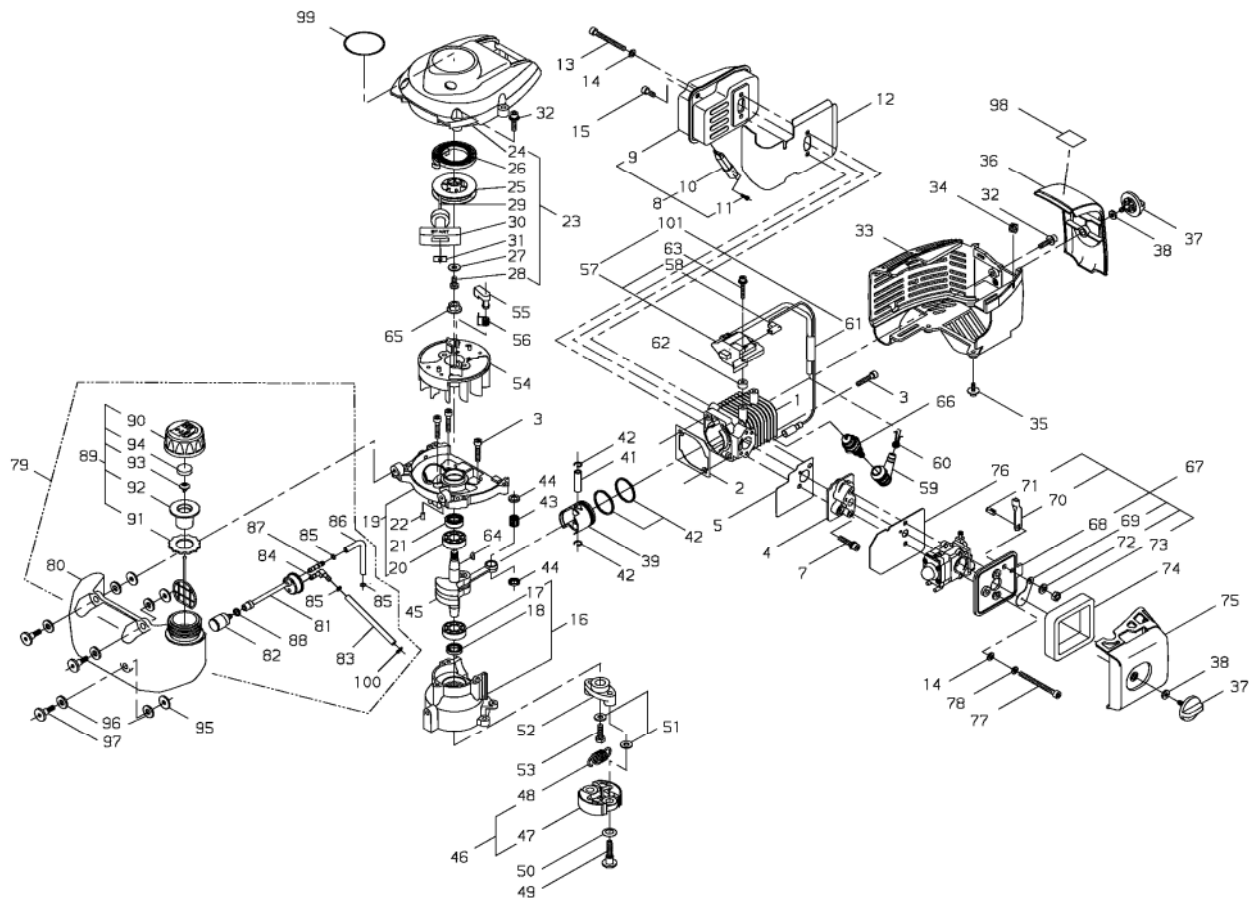
KEY	LV	PART NUMBER	Q'TY	DESCRIPTION	REMARKS	NOTE1	NOTE2
1		62809-12111	1	CYLINDER			
2		20870-12121	1	GASKET			
3		01020-05250	5	BOLT		M5x25	
4		20016-12213	1	INSULATOR			
5		20870-12220	1	GASKET			
7		11022-05300	2	BOLT SW		M5x30	
8		70871-15100	1	MUFFLER SUB ASSY			
9	▪	70871-15110	1	MUFFLER			
10	▪	70871-15120	1	SPARK ARRESTER			
11	▪	01270-03062	1	SCREW TAPPING		φ3x6	
12		20870-15122	1	GASKET			
13		01020-05500	2	BOLT		M5x50	
14		01610-05080	4	WASHER		φ5	
15		01020-05120	1	BOLT	M5*12	M5x12	
16		20870-21100	1	CRANK CASE PTO COMP			
17	▪	12900-60010	1	BALL BEARING		6001	
18	▪	22150-21250	1	SEAL,OIL			
19		20870-21301	1	CRANK CASE M.COMP			
20	▪	12900-60010	1	BALL BEARING		6001	
21	▪	20000-21211	1	OIL SEAL			
22	▪	12492-40080	2	ROLLER			
23		20870-31102	1	FAN COVER SUB ASSY			
24	▪	20870-31112	1	FAN COVER			
25	▪	70030-75120	1	REEL			
26	▪	70030-75130	1	RECOIL SPRING			
27	▪	70030-75140	1	WASHER			

1. Ref.1



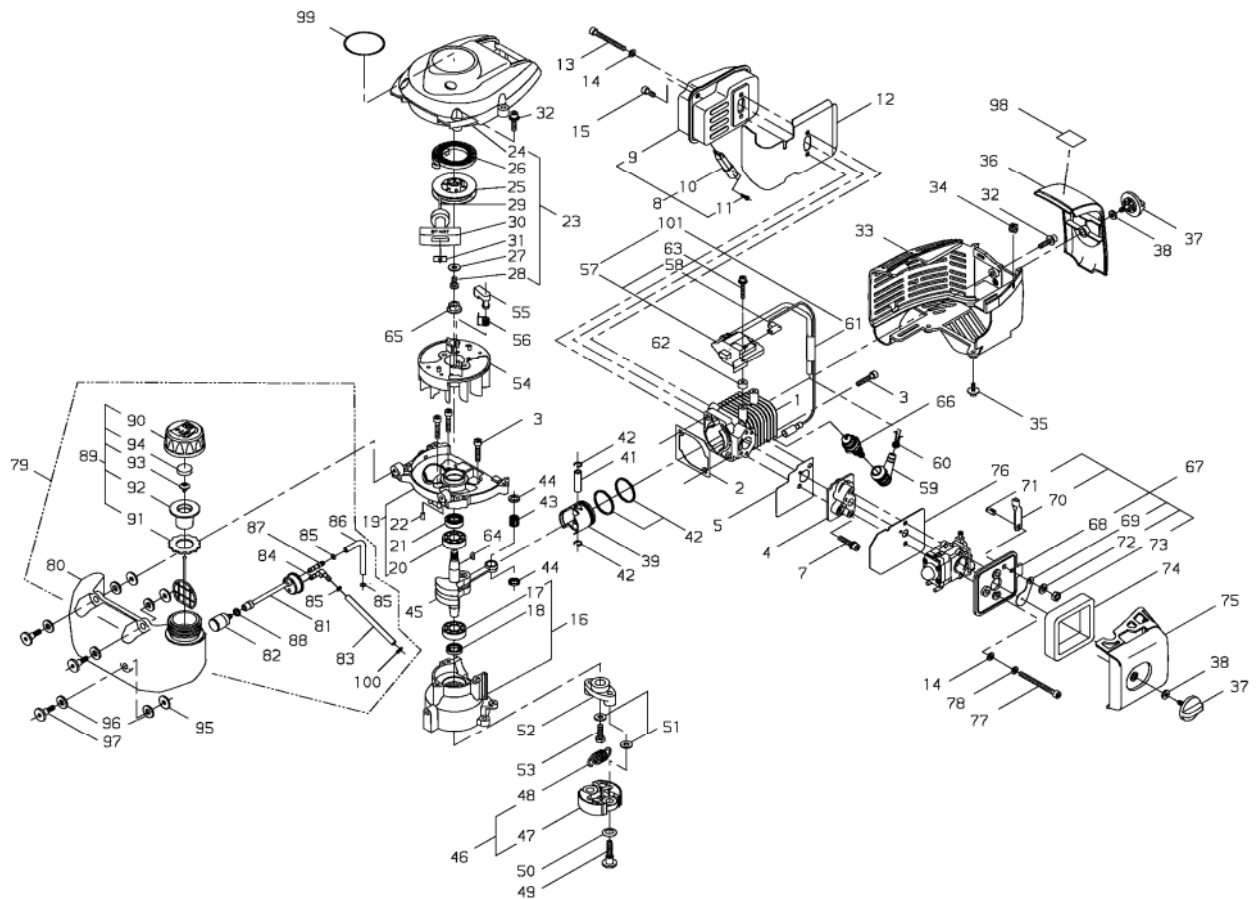
KEY	LV	PART NUMBER	Q'TY	DESCRIPTION	REMARKS	NOTE1	NOTE2
28	•	20035-75170	1	SCREW			
29	•	70030-75160	1	ROPE			
30	•	20010-75190	1	STARTER KNOB			
31	•	20010-75210	1	STOPPER			
32		11060-05202	5	BOLT ADHESIVE		M5x20	
33		20870-32111	1	CYLINDER COVER			
34		20011-72120	1	GROMMET			
35		11060-04163	2	BOLT		M4x16	
36		20870-33111	1	COVER			
37		20870-33120	2	KNOB			
38		23627-21220	2	COLLAR		φ5	
39		20075-41111	1	PISTON			
40		20000-41210	2	PISTON RING			
41		20075-41310	1	PISTON PIN			
42		70030-41320	2	RING,END			
43		37013-41230	1	NEEDLE BEARING			
44		37013-41240	2	THRUST WASHER			
45		20870-42101	1	CRANK SHAFT COMP			
47	•	70140-51113	2	CLUTCH SHOE			
48	•	37013-51310	1	COIL SPRING			
49		20087-51210	2	BOLT		M6	
50		20087-51231	2	SPRING PLATE			
51		22100-71430	3	WASHER		φ6	
52		20870-51211	1	CLUTCH BOSS			
53		20870-51220	1	BOLT		M6x18	
54		20870-71110	1	ROTOR			

1. Ref.1



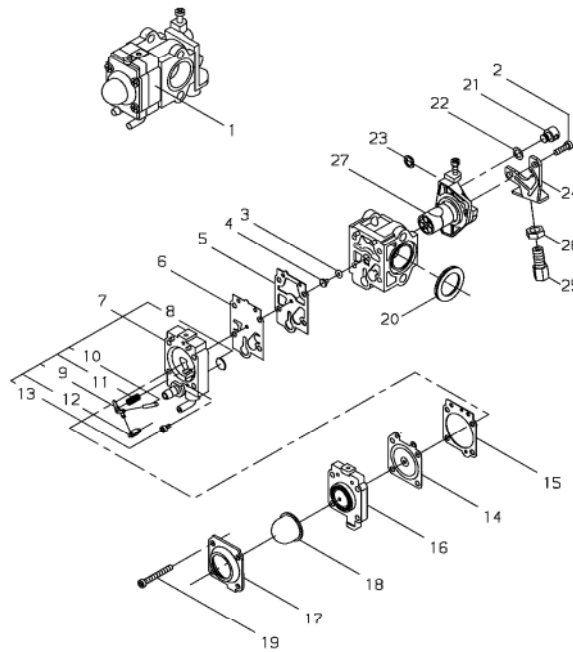
KEY	LV	PART NUMBER	Q'TY	DESCRIPTION	REMARKS	NOTE1	NOTE2
55		20870-71120	1	RATCHET			
56		20870-71130	1	COIL SPRING			
57	•	20870-71202	1	COIL SUB ASSY			
58	• •	20870-71222	1	CORD			
59		22160-72220	1	PLUG CAP			
60		20000-72230	1	SPRING SPARK PLUG			
61	•	20016-71651	1	TUBE		φ8	
62		70030-71620	2	INSULATOR			
63		11024-04261	2	BOLT		M4x26	
64		02403-03100	1	KEY	3*10		
65		20035-71220	1	NUT		M8	
66		13000-13406	1	SPARK PLUG BMR6A		BMR6A	
67		20870-82100	1	CLEANER BODY			
68	•	20870-82111	1	CLEANER BODY			
69	•	20115-82120	1	CHOKE PLATE			
70	•	20870-82120	1	CHOKE LEVER			
71	•	20110-82140	1	CHOKE SHAFT			
72	•	01600-06151	1	SPRING WASHER			
73	•	11524-06211	1	U NUT			
74		20870-82210	1	FILTER			
75		20870-82312	1	CLEANER COVER			
76		20870-82411	1	GASKET			
77		01020-05550	2	BOLT		M5x55	
78		01600-05131	2	SPRING WASHER		φ5	
79		62800-85013	1	FUEL TANK ASSY			
80	•	20870-85251	1	FUEL TANK			

1. Ref.1



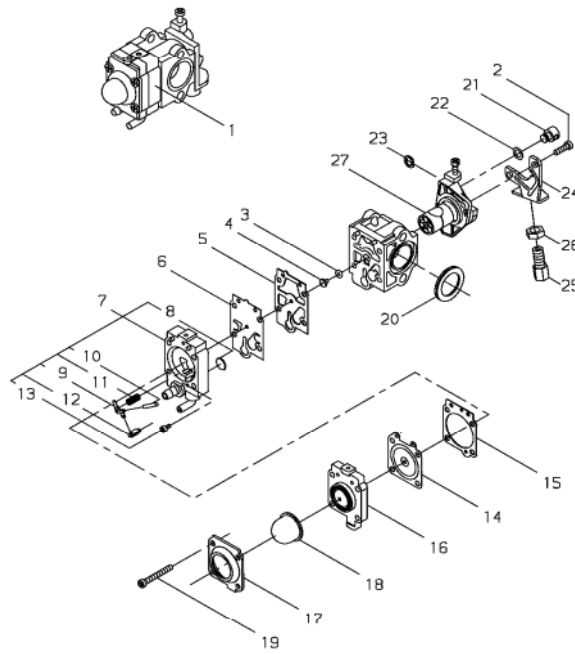
KEY	LV	PART NUMBER	Q'TY	DESCRIPTION	REMARKS	NOTE1	NOTE2
81	•	20870-85121	1	FUEL PIPE			
82	•	20016-85400	1	FUEL FILTER			
83	•	20870-85132	1	PIPE			
84	•	20087-85340	1	JOINT,PIPE			
85	•	20020-85540	3	CLIP			
86	•	20870-85140	1	PIPE			
87	•	72933-85620	1	JOINT			
88	•	20000-85350	1	CLAMP B			
89	•	62800-85021	1	FUEL CAP ASSY			
90	•	20870-85310	1	FUEL CAP			
91	•	20870-85160	1	GASKET			
92	•	62800-85310	1	HOLDER COMP		CE • YB	
93	•	20870-85320	1	VALVE FUEL			
94	•	20870-85210	1	SEAL,CIRCULAR			
95		15401-10022	3	COLLAR		φ18xφ5.2 t=1.6	
96		20870-85230	6	COLLAR			
97		20870-85240	3	BOLT		M5	
98		19404-00048	1	LABEL DECIBEL		106dB(A)	
99	•	62805-91020	1	LABEL TRADE			
100		37013-85310	1	CLIP			
101		20870-98310	1	COIL SET			

2. Ref.2



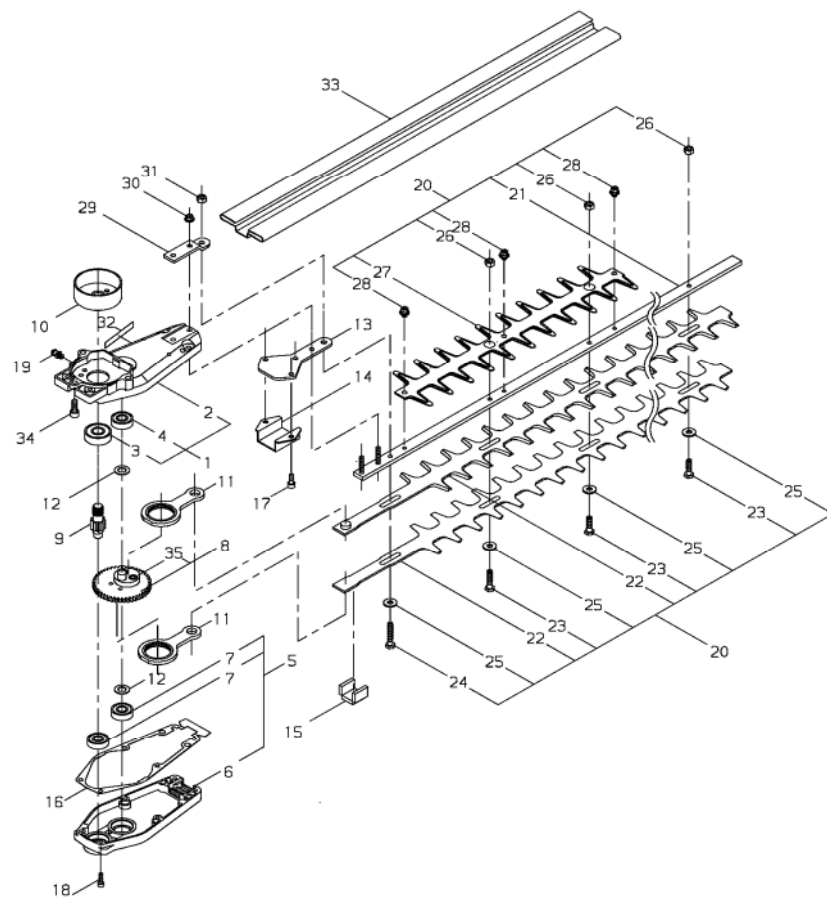
KEY	LV	PART NUMBER	Q'TY	DESCRIPTION	REMARKS	NOTE1	NOTE2
1		70871-81100	1	CARBURETOR SUB ASSY			
2	▪	70097-81290	2	SCREW			
3	▪	70097-81220	1	O-RING			
4	▪	72934-81230	1	MAIN JET			
5	▪	70097-81310	1	GASKET,PUMP			
6	▪	70097-81320	1	DIAPHRAGM			
7	▪	72933-81410	1	PUMP BODY ASSY			
8	▪▪	70030-81380	1	SCREEN			
9	▪▪	22100-81230	1	LEVER, METERING			
10	▪▪	22100-81250	1	PIN			
11	▪▪	72933-81270	1	SPRING			
12	▪▪	20036-81440	1	VALVE			
13	▪▪	20016-81450	1	SCREW			
14	▪	22100-81260	1	DIAPHRAGM ASM			
15	▪	20016-81280	1	GASKET			
16	▪	20016-81420	1	PUMP BASE COMP			
17	▪	20016-81510	1	PUMP COVER			
18	▪	20036-81670	1	PRIMER PUMP			
19	▪	20016-81140	4	SCREW			
20	▪	72933-81250	1	RING GASKET			
21	▪	72933-81450	1	SWIVEL			
22	▪	20089-81185	1	WASHER			
23	▪	20036-81195	1	E RING			
24	▪	20089-81130	1	BRACKET			
25	▪	20089-81110	1	CABLE ADJUSTER			
26	▪	20036-81120	1	NUT			

2. Ref.2



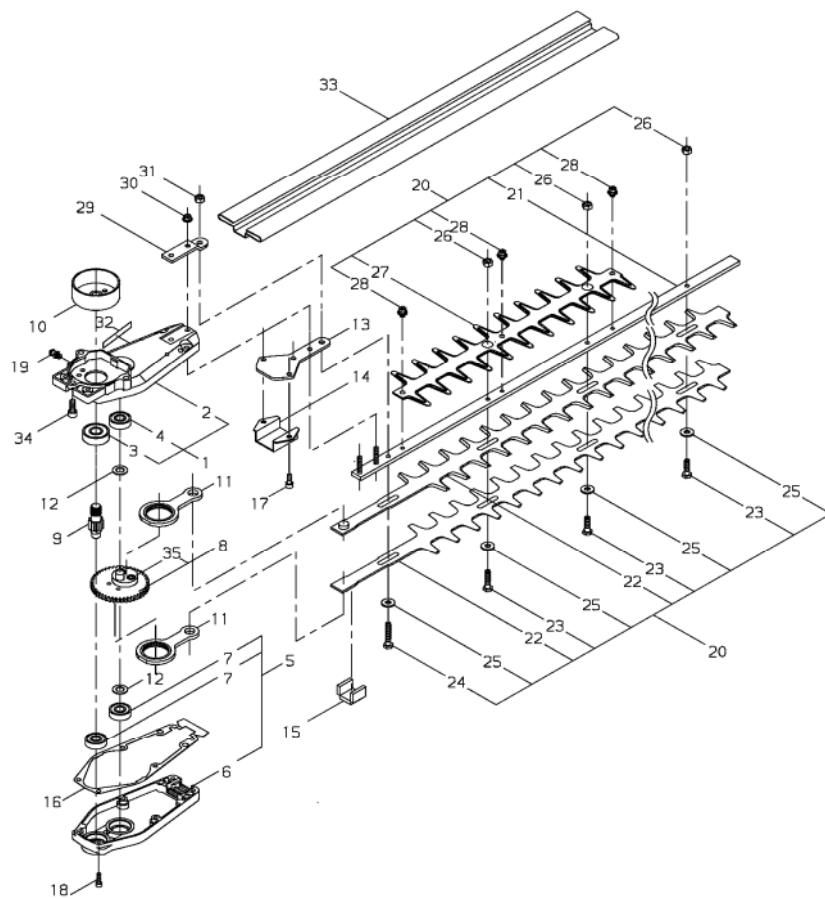
KEY	LV	PART NUMBER	Q'TY	DESCRIPTION	REMARKS	NOTE1	NOTE2
27	•	20870-81210	1	THROTTLE VALVE SET			

3. Ref.3



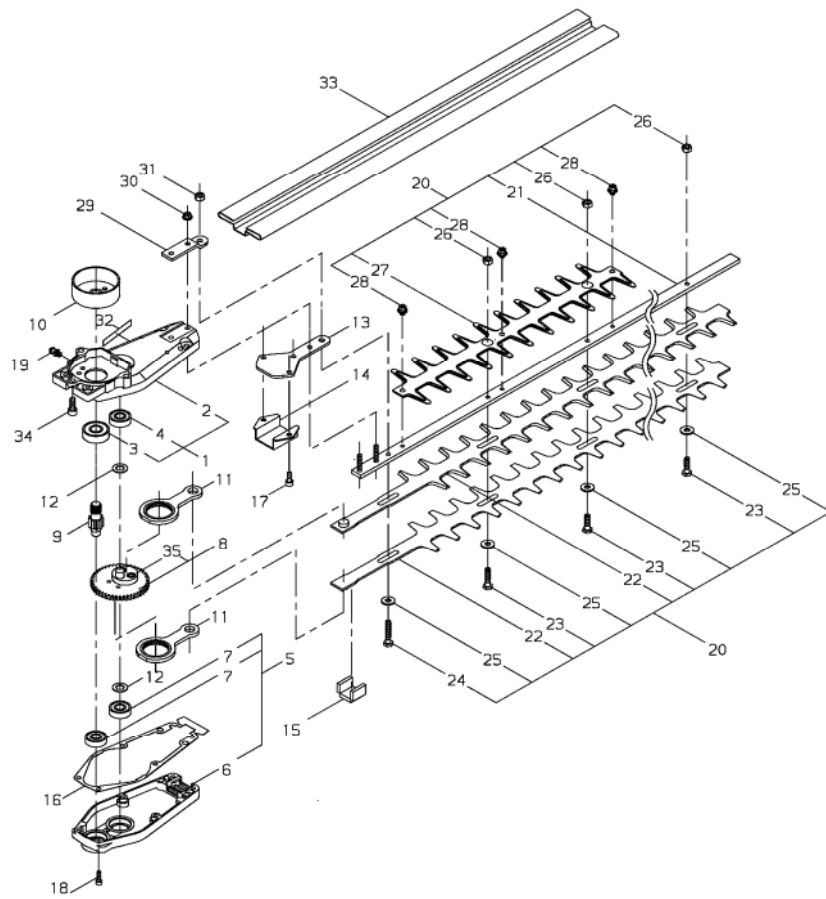
KEY	LV	PART NUMBER	Q'TY	DESCRIPTION	REMARKS	NOTE1	NOTE2
1		20870-61103	1	GEAR CASE COMP			
2	•	20870-61113	1	GEAR CASE			
3	•	02006-06201	1	BEARING		6201DDU	
4	•	02002-06000	1	BALL BEARING		6000ZZ	
5		20870-61203	1	CASE COVER COMP			
6	•	20870-61213	1	CASE COVER			
7	•	02002-06000	2	BALL BEARING		6000ZZ	
8		20870-61301	1	GEAR COMP			
9		20870-61410	1	PINION SHAFT			
10		20870-61420	1	CLUTCH DRUM			
11		20870-61500	2	ROD COMP			
12		15401-11008	2	COLLAR			
13		20870-61611	1	PLATE			
14		20870-61621	1	PLATE			
15		20870-61630	1	PACKING			
16		20870-61650	1	GASKET CASE			
17		01020-05120	2	BOLT	M5*12	M5x12	
18		01020-04140	6	BOLT		M4x14	
19		20870-61640	1	GREASE NIPPLE			
20		63802-62011	1	CUTTER ASSY		CARB • EPA(24")	
20		63803-62011	1	CUTTER ASSY		CARB • EPA(30")	
20		63804-62011	1	CUTTER ASSY		CE • YB • EC(24")	

3. Ref.3



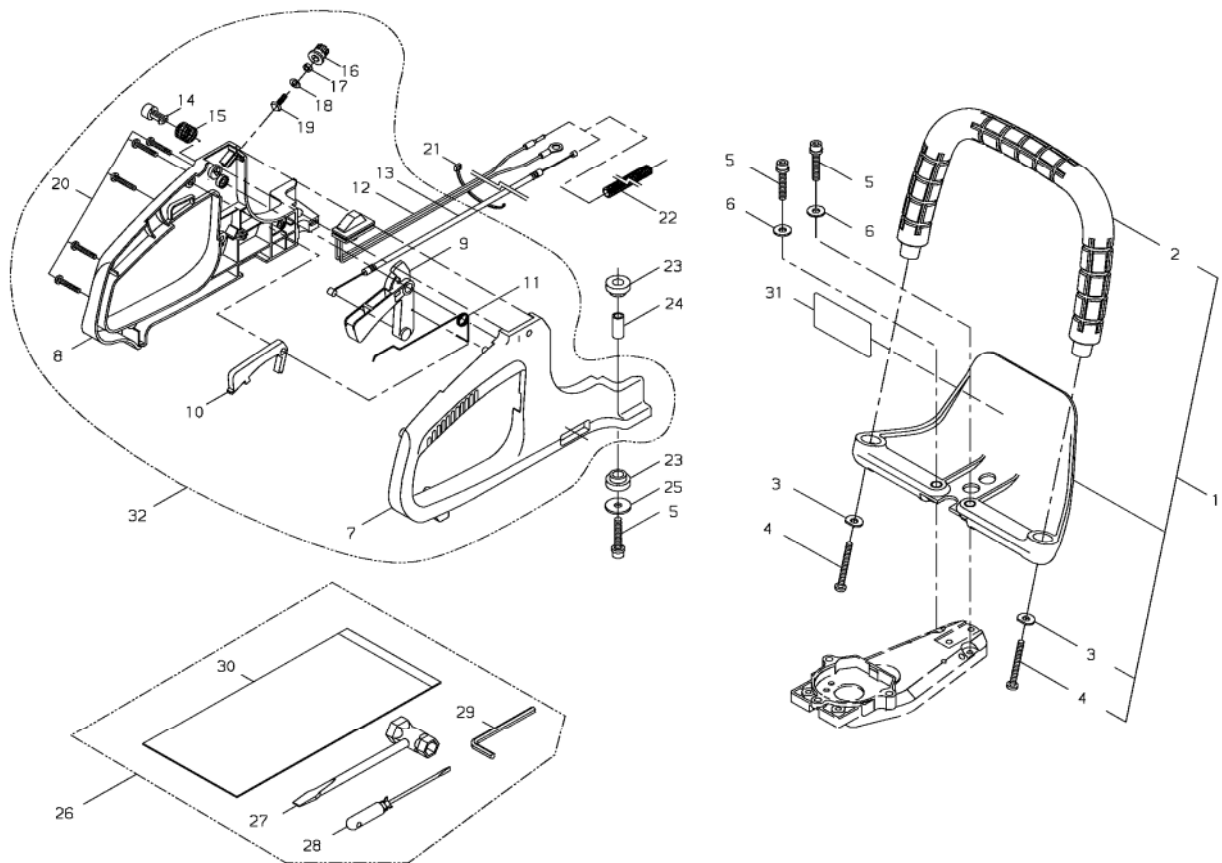
KEY	LV	PART NUMBER	Q'TY	DESCRIPTION	REMARKS	NOTE1	NOTE2
21	•	63802-62311	1	GUIDE BAR		24"(CARB,EPA)	
21	•	63802-62310	1	GUIDE BAR		24"(CE,YB,EC)	
21	•	63803-62311	1	GUIDE BAR		30"(CARB,EPA)	
22	•	18500-60103	2	BLADE		24"(CARB,EPA)	
22	•	18500-60104	2	BLADE		24" (CE,YB,EC)	
22	•	18500-70102	2	BLADE		30"(CARB,EPA)	
23	•	20870-62110	3	BOLT		M6 24"	
23	•	20870-62110	5	BOLT		M6 30"	
24	•	20870-62150	1	BOLT		M6	
25	•	20870-62131	4	WASHER		24"	
25	•	20870-62131	6	WASHER		30"	
26	•	22011-97840	3	LOCK NUT		M6 24"	
26	•	22011-97840	5	LOCK NUT		M6 30"	
27	•	63804-62310	1	PROTECTOR			
28	•	11060-05080	3	BOLT ADHESIVE		M5x8	
29		20870-62210	1	HOLDER			
30		11526-05212	2	FLANGE NUT		M5	
31		22011-97840	1	LOCK NUT		M6	
32		19402-00134	1	LABEL CAUTION		CARB • EPA	
33		19601-01504	1	BLADE COVER		24"	

3. Ref.3



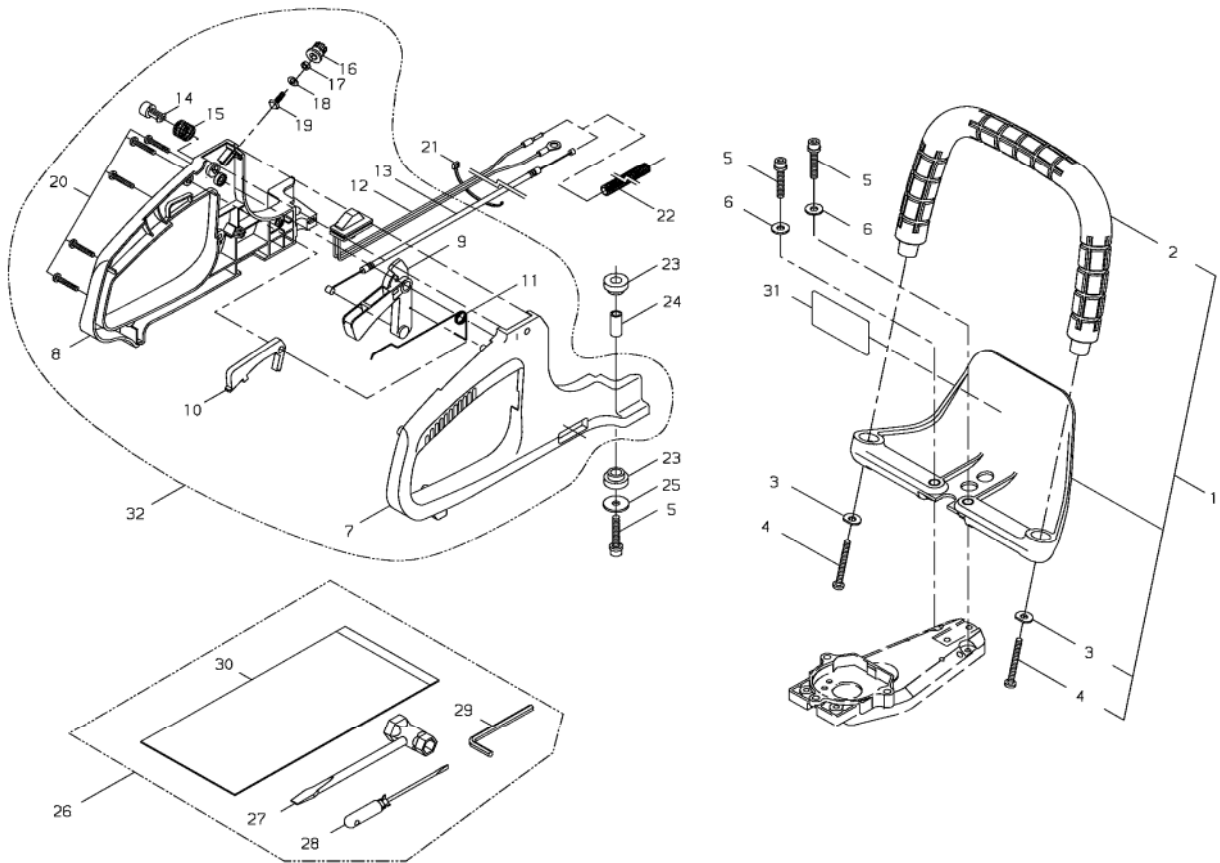
KEY	LV	PART NUMBER	Q'TY	DESCRIPTION	REMARKS	NOTE1	NOTE2
33		19601-01603	1	BLADE COVER		30"	
34		01020-06160	3	BOLT		M6x16	
35		20870-61340	4	BOLT		M5x8	

4. Ref.4



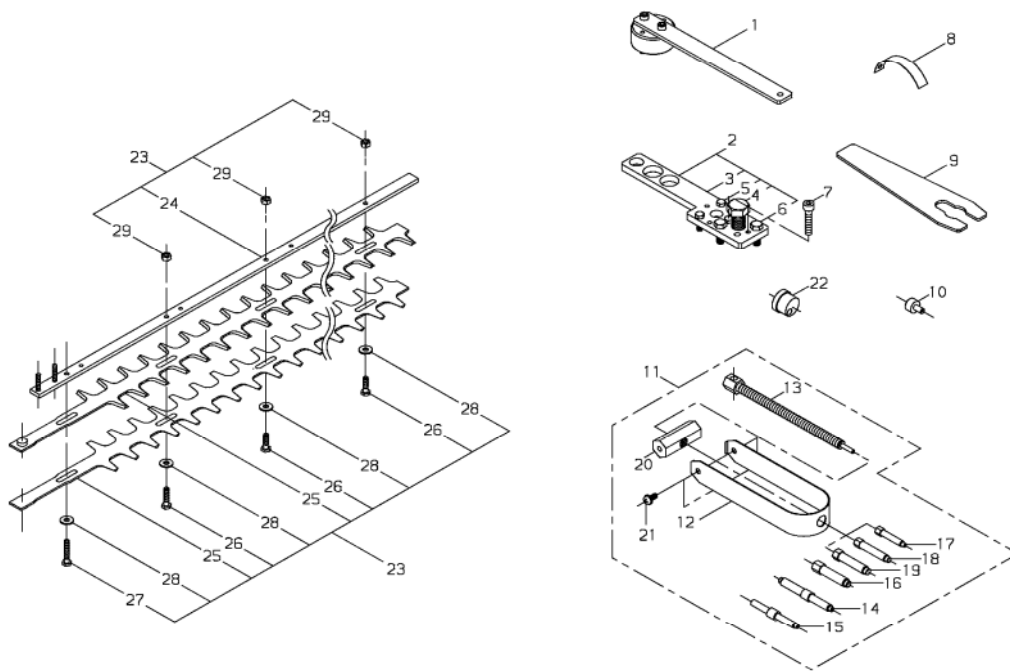
KEY	LV	PART NUMBER	Q'TY	DESCRIPTION	REMARKS	NOTE1	NOTE2
1		62803-64012	1	FRONT HANDLE ASSY			
2	▪	62803-64111	1	FRONT HANDLE			
3	▪	62803-64330	2	WASHER			
4	▪	72935-61230	2	BOLT TAPPING			
5		11020-06350	4	BOLT SW		M6x35	
6		23510-64210	2	WASHER		φ16xφ6.5 t=1.6	
7	▪	62803-65114	1	RIGHT HANDLE			
8	▪	62803-65124	1	LEFT HANDLE			
9	▪	62803-65312	1	THROTTLE LEVER			
10	▪	62803-65322	1	LOCK LEVER			
11	▪	62803-65350	1	COIL SPRING			
12	▪	62803-65332	1	SWITCH			
13	▪	62803-65341	1	THROTTLE CABLE			
14	▪	70871-65170	1	BUTTON			
15	▪	70871-65180	1	COIL SPRING			
16	▪	20870-65110	1	KNOB			
17	▪	20870-65120	1	NUT			
18	▪	62805-65370	1	WASHER			
19	▪	20870-65150	1	BOLT			
20	▪	62803-65360	5	SCREW TAPPING		φ4x18	
21		15210-12305	1	BAND			
22		20019-83140	1	TUBE			
23		20870-65421	4	CUSHION			
24		15401-10200	2	COLLAR			
25		15401-20008	2	COLLAR		φ23xφ6.5 t=2	

4. Ref.4



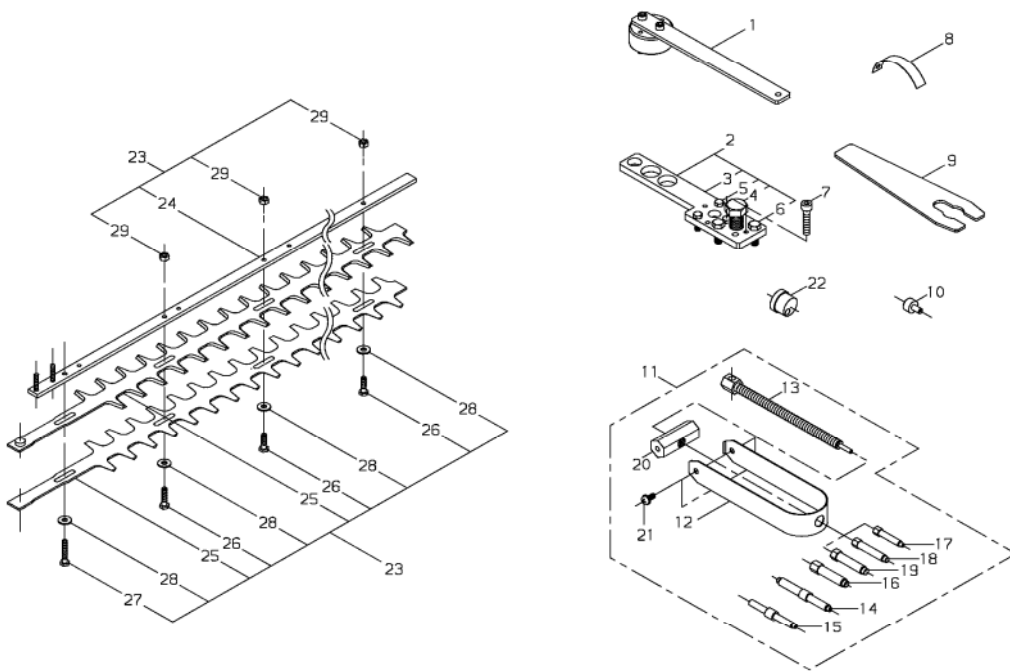
KEY	LV	PART NUMBER	Q'TY	DESCRIPTION	REMARKS	NOTE1	NOTE2
26		62803-92010	1	TOOL SET			
27	▪	22150-91410	1	PLUG WRENCH			
28	▪	22150-91160	1	DRIVER			
29	▪	19021-05000	1	HEXA WRENCH			
30	▪	19639-01100	1	POLY BAG			
31		19402-00148	1	LABEL CAUTION			
32		62805-65013	1	REAR HANDLE ASSY			

5. Ref.5



KEY	LV	PART NUMBER	Q'TY	DESCRIPTION	REMARKS	NOTE1	NOTE2
1		20870-98010	1	SPANNER			
2		20000-96104	1	PULLER ASSY			
3	•	20000-96114	1	LEVER			
4	•	22100-96121	1	CENTER BOLT		M16	
5	•	20000-96130	3	BOLT			
6	•	20000-96140	2	BOLT			
7		01020-06350	2	BOLT		M6x35	
8		20000-96210	1	AIR GAP GAUGE			
9		20000-96411	1	ROTOR SPANNER			
10		20021-96420	2	STOPPER			
11		20021-96601	1	PULLER ASSY			
12	•	20021-96611	1	PULLER			
13	•	20021-96621	1	BOLT			
14	•	20000-96631	1	GUIDE PIN			
15	•	20035-96630	1	GUIDE PIN			
16	•	20021-96630	1	GUIDE PIN			
17	•	20021-96650	1	PIN ADAPTER			
18	•	20021-96660	1	PIN ADAPTER			
19	•	20021-96670	1	PIN ADAPTER			
20	•	20000-96640	1	BOSS			
21	•	01211-06120	2	SCREW SW			
22		20870-98050	1	HOLDER			
23		60804-98010	1	CUTTER ASSY		24"	
23		60805-98010	1	CUTTER ASSY		30"	
24	•	63802-62311	1	GUIDE BAR		24"	
24	•	63803-62311	1	GUIDE BAR		30"	

5. Ref.5



KEY	LV	PART NUMBER	Q'TY	DESCRIPTION	REMARKS	NOTE1	NOTE2
25	•	18500-60104	2	BLADE		24"	
25	•	18500-70103	2	BLADE		30"	
26	•	20870-62110	3	BOLT		M6x20, 24"	
26	•	20870-62110	5	BOLT		M6x20, 30"	
27	•	20870-62150	1	BOLT		M6x25	
28	•	20870-62131	4	WASHER		24"	
28	•	20870-62131	6	WASHER		30"	
29	•	22011-97840	3	LOCK NUT		M6, 24"	
29	•	22011-97840	5	LOCK NUT		M6, 30"	

Index

Patrs Number	Key No.	Patrs Number	Key No.	Patrs Number	Key No.
01020-04140	3 - 18	20000-85350	1 - 88	20870-15122	1 - 12
01020-05120	1 - 15	20000-96104	5 - 2	20870-21100	1 - 16
01020-05120	3 - 17	20000-96114	5 - 3	20870-21301	1 - 19
01020-05250	1 - 3	20000-96130	5 - 5	20870-31102	1 - 23
01020-05500	1 - 13	20000-96140	5 - 6	20870-31112	1 - 24
01020-05550	1 - 77	20000-96210	5 - 8	20870-32111	1 - 33
01020-06160	3 - 34	20000-96411	5 - 9	20870-33111	1 - 36
01020-06350	5 - 7	20000-96631	5 - 14	20870-33120	1 - 37
01211-06120	5 - 21	20000-96640	5 - 20	20870-42101	1 - 45
01270-03062	1 - 11	20010-75190	1 - 30	20870-51211	1 - 52
01600-05131	1 - 78	20010-75210	1 - 31	20870-51220	1 - 53
01600-06151	1 - 72	20011-72120	1 - 34	20870-61103	3 - 1
01610-05080	1 - 14	20016-12213	1 - 4	20870-61113	3 - 2
02002-06000	3 - 4	20016-71651	1 - 61	20870-61203	3 - 5
02002-06000	3 - 7	20016-81140	2 - 19	20870-61213	3 - 6
02006-06201	3 - 3	20016-81280	2 - 15	20870-61301	3 - 8
02403-03100	1 - 64	20016-81420	2 - 16	20870-61340	3 - 35
11020-06350	4 - 5	20016-81450	2 - 13	20870-61410	3 - 9
11022-05300	1 - 7	20016-81510	2 - 17	20870-61420	3 - 10
11024-04261	1 - 63	20016-85400	1 - 82	20870-61500	3 - 11
11060-04163	1 - 35	20019-83140	4 - 22	20870-61611	3 - 13
11060-05080	3 - 28	20020-85540	1 - 85	20870-61621	3 - 14
11060-05202	1 - 32	20021-96420	5 - 10	20870-61630	3 - 15
11524-06211	1 - 73	20021-96601	5 - 11	20870-61640	3 - 19
11526-05212	3 - 30	20021-96611	5 - 12	20870-61650	3 - 16
12492-40080	1 - 22	20021-96621	5 - 13	20870-62110	3 - 23
12900-60010	1 - 17	20021-96630	5 - 16	20870-62110	3 - 23
12900-60010	1 - 20	20021-96650	5 - 17	20870-62110	5 - 26
13000-13406	1 - 66	20021-96660	5 - 18	20870-62110	5 - 26
15210-12305	4 - 21	20021-96670	5 - 19	20870-62131	3 - 25
15401-10022	1 - 95	20035-71220	1 - 65	20870-62131	3 - 25
15401-10200	4 - 24	20035-75170	1 - 28	20870-62131	5 - 28
15401-11008	3 - 12	20035-96630	5 - 15	20870-62131	5 - 28
15401-20008	4 - 25	20036-81120	2 - 26	20870-62150	3 - 24
18500-60103	3 - 22	20036-81195	2 - 23	20870-62150	5 - 27
18500-60104	3 - 22	20036-81440	2 - 12	20870-62210	3 - 29
18500-60104	5 - 25	20036-81670	2 - 18	20870-65110	4 - 16
18500-70102	3 - 22	20075-41111	1 - 39	20870-65120	4 - 17
18500-70103	5 - 25	20075-41310	1 - 41	20870-65150	4 - 19
19021-05000	4 - 29	20087-51210	1 - 49	20870-65421	4 - 23
19402-00134	3 - 32	20087-51231	1 - 50	20870-71110	1 - 54
19402-00148	4 - 31	20087-85340	1 - 84	20870-71120	1 - 55
19404-00048	1 - 98	20089-81110	2 - 25	20870-71130	1 - 56
19601-01504	3 - 33	20089-81130	2 - 24	20870-71202	1 - 57
19601-01603	3 - 33	20089-81185	2 - 22	20870-71222	1 - 58
19639-01100	4 - 30	20110-82140	1 - 71	20870-81210	2 - 27
20000-21211	1 - 21	20115-82120	1 - 69	20870-82100	1 - 67
20000-41210	1 - 40	20870-12121	1 - 2	20870-82111	1 - 68
20000-72230	1 - 60	20870-12220	1 - 5	20870-82120	1 - 70

Index

Patrs Number	Key No.	Patrs Number	Key No.	Patrs Number	Key No.
20870-82210	1 - 74	62803-65341	4 - 13		
20870-82312	1 - 75	62803-65350	4 - 11		
20870-82411	1 - 76	62803-65360	4 - 20		
20870-85121	1 - 81	62803-92010	4 - 26		
20870-85132	1 - 83	62805-65013	4 - 32		
20870-85140	1 - 86	62805-65370	4 - 18		
20870-85160	1 - 91	62805-91020	1 - 99		
20870-85210	1 - 94	62809-12111	1 - 1		
20870-85230	1 - 96	63802-62011	3 - 20		
20870-85240	1 - 97	63802-62310	3 - 21		
20870-85251	1 - 80	63802-62311	3 - 21		
20870-85310	1 - 90	63802-62311	5 - 24		
20870-85320	1 - 93	63803-62011	3 - 20		
20870-98010	5 - 1	63803-62311	3 - 21		
20870-98050	5 - 22	63803-62311	5 - 24		
20870-98310	1 - 101	63804-62011	3 - 20		
22011-97840	3 - 26	63804-62310	3 - 27		
22011-97840	3 - 26	70030-41320	1 - 42		
22011-97840	3 - 31	70030-71620	1 - 62		
22011-97840	5 - 29	70030-75120	1 - 25		
22011-97840	5 - 29	70030-75130	1 - 26		
22100-71430	1 - 51	70030-75140	1 - 27		
22100-81230	2 - 9	70030-75160	1 - 29		
22100-81250	2 - 10	70030-81380	2 - 8		
22100-81260	2 - 14	70097-81220	2 - 3		
22100-96121	5 - 4	70097-81290	2 - 2		
22150-21250	1 - 18	70097-81310	2 - 5		
22150-91160	4 - 28	70097-81320	2 - 6		
22150-91410	4 - 27	70140-51113	1 - 47		
22160-72220	1 - 59	70871-15100	1 - 8		
23510-64210	4 - 6	70871-15110	1 - 9		
23627-21220	1 - 38	70871-15120	1 - 10		
37013-41230	1 - 43	70871-65170	4 - 14		
37013-41240	1 - 44	70871-65180	4 - 15		
37013-51310	1 - 48	70871-81100	2 - 1		
37013-85310	1 - 100	72933-81250	2 - 20		
60804-98010	5 - 23	72933-81270	2 - 11		
60805-98010	5 - 23	72933-81410	2 - 7		
62800-85013	1 - 79	72933-81450	2 - 21		
62800-85021	1 - 89	72933-85620	1 - 87		
62800-85310	1 - 92	72934-81230	2 - 4		
62803-64012	4 - 1	72935-61230	4 - 4		
62803-64111	4 - 2				
62803-64330	4 - 3				
62803-65114	4 - 7				
62803-65124	4 - 8				
62803-65312	4 - 9				
62803-65322	4 - 10				
62803-65332	4 - 12				

YAMABIKO CORPORATION

7-2 SUEHIROCHO 1-CHOME, OHME, TOKYO 198-8760, JAPAN
PHONE: 81-428-32-6118. FAX: 81-428-32-6145.

shindaiwa[®]

1-24
No.