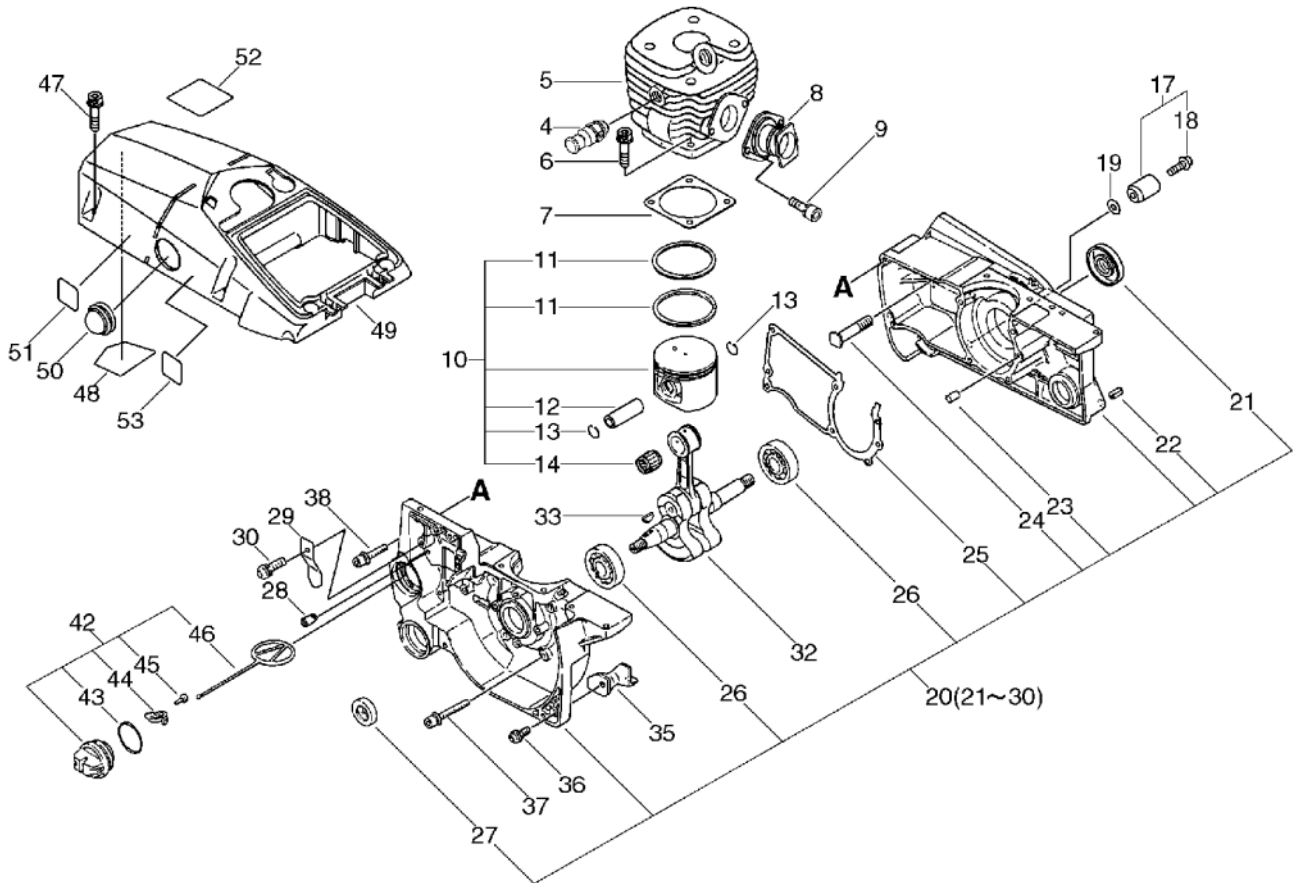




PARTS CATALOGUE

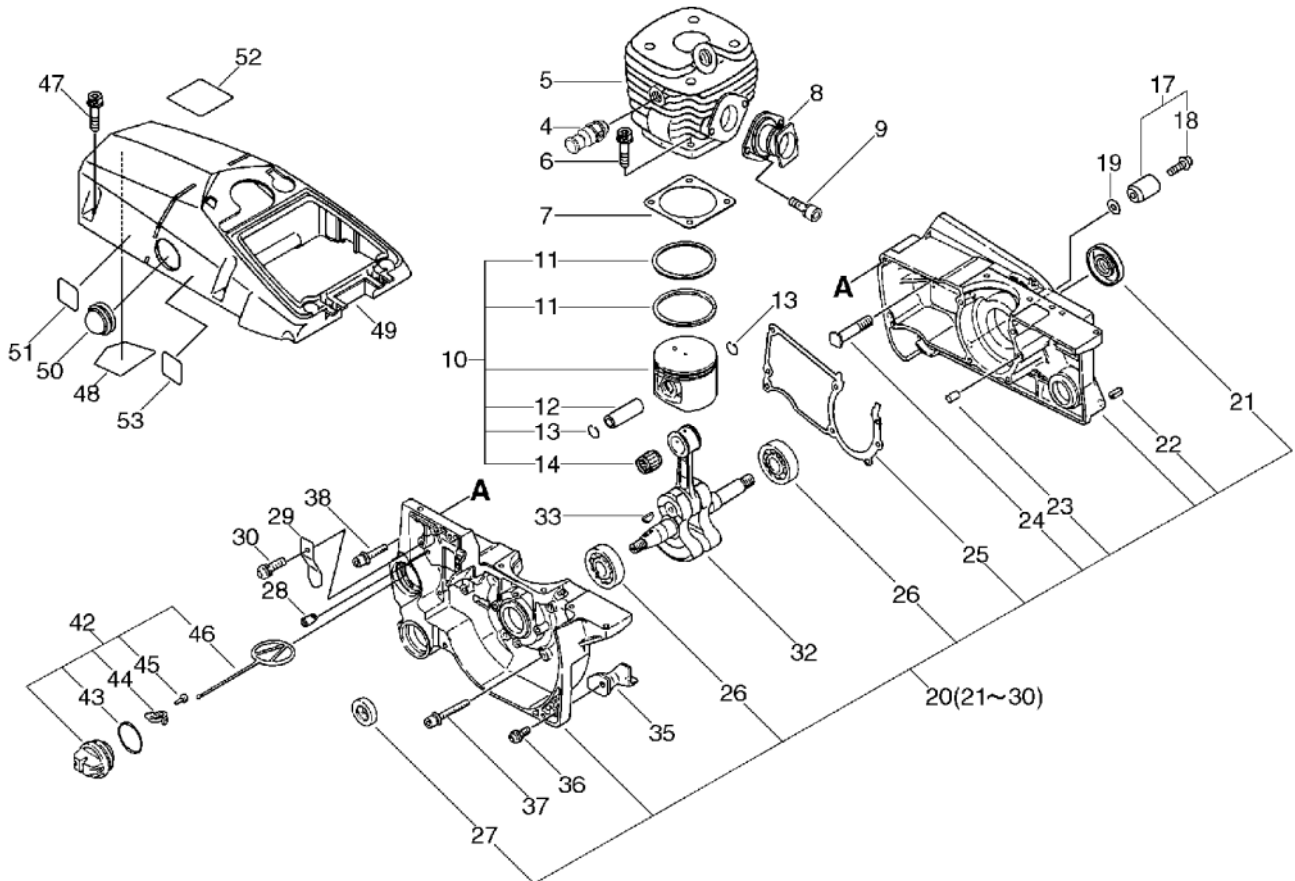
CHAIN SAW CS-6702(6digits)(35)(36)

1. Cylinder, Crankcase, Piston



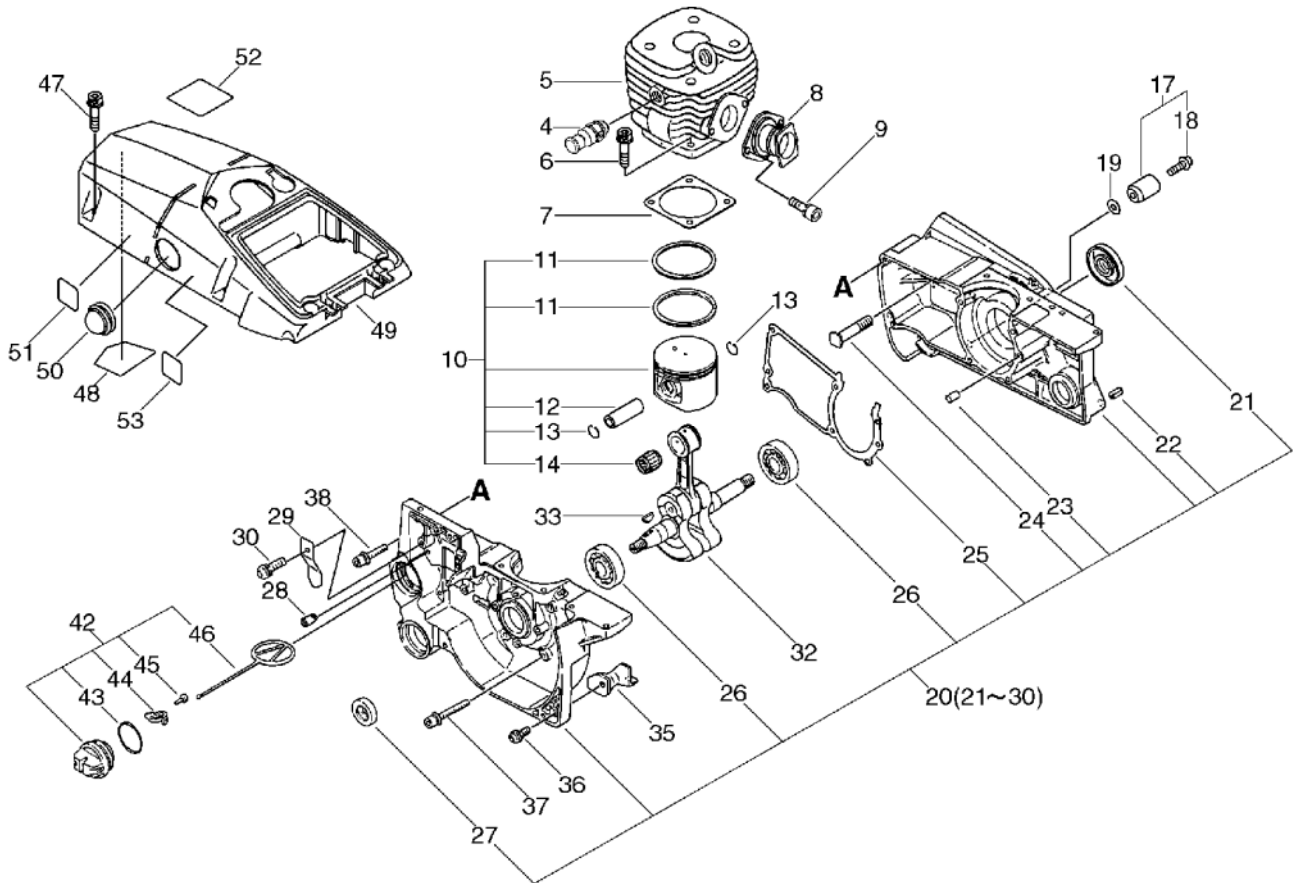
KEY	LV	PART NUMBER	Q'TY	DESCRIPTION	REMARKS	NOTE1	NOTE2
4		A014-000010	1	DECOMP,ASM			
5		A130-000240	1	CYLINDER		Sus. by A130-000241	
5		A130-000241	1	CYLINDER			
6		900162-05025	4	BOLT, H.S. 5*25	5*25 W,SW		
7		101010-32431	1	GASKET, CYL. BASE			
8		A202-000010	1	BELLOWS,INTAKE		Sus. by A202-000011	
9		900162-05014	2	BOLT, H.S. 5*14	5*14 W,SW		
10		P021-002790	1	PISTON KIT		Sus. by P021-002791	
10		P021-002791	1	PISTON KIT			
11	+	100011-32430	2	RING, PISTON		Sus. by 100011-32431	
11	+	100011-32431	2	RING, PISTON			
12	+	V610-000000	1	PIN,ENG 12			
13	+	V580-000000	2	RING,END			
14	+	100012-32430	1	BEARING, NEEDLE			
17		433000-19831	1	CATCHER KIT, CHAIN			
18	+	900220-05018	1	SCREW 5*18	5*18		
19		900600-00005	1	WASHER 5	5		
20		100204-32433	1	CRANKCASE KIT		Sus. by 100204-32435	
20		100204-32434	1	CRANKCASE KIT		Sus. by 100204-32435	
20		100204-32435	1	CRANKCASE KIT			

1. Cylinder, Crankcase, Piston



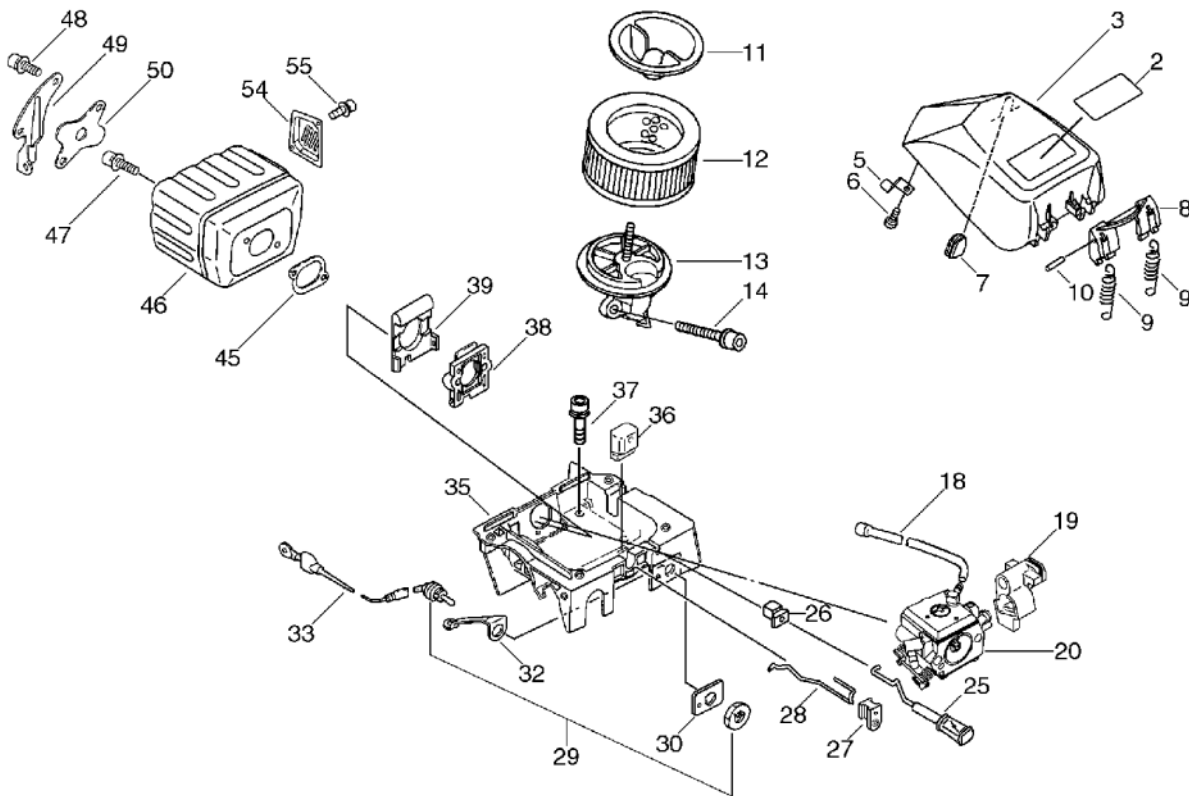
KEY	LV	PART NUMBER	Q'TY	DESCRIPTION	REMARKS	NOTE1	NOTE2
21	+	100212-32430	1	OILSEAL (L)	25Z-15*39.9*7		
22	+	900345-50010	1	PIN, SPRING 5*10SUS	5*10SUS		
23	+	100215-02830	2	PIN, DOWEL			
24	+	433011-19830	2	STUD, GUIDE BAR			
25	+	100242-32430	1	GASKET, CRANKCASE			
26	+	900810-36202	2	BEARING, BALL 6202	6202/C3		
27	+	100212-19830	1	OILSEAL	ISM 15*25*6		
28	+	436114-13930	1	VALVE, CHECK			
29	+	V150-000570	1	PLATE,EYE			
30	+	900242-04008	1	SCREW	4*8		
32		A011-000130	1	CRANKSHAFT,ASM		Sus. by A011-000250	
32		A011-000250	1	CRANKSHAFT,ASM			
33		100142-30830	1	KEY, WOODRUFF			
35		V401-000060	1	CUSHION,5			
36		900238-05014	1	SCREW 5*14	5*14		
37		900162-05035	4	BOLT, H.S. 5*35	5*35 W,SW		
38		900162-05020	2	BOLT, H.S. 5*20	5*20 W,SW		
42		436001-37933	1	CAP ASSY, OIL TANK			
43	+	900725-02025	1	O-RING	JASO 2025		
44	+	131050-19830	1	RETAINER, LINK			
45	+	900246-03008	1	SCREW 3*8	3*8		
46	+	131051-19830	1	LINK	60L		
47		900162-05020	5	BOLT, H.S. 5*20	5*20 W,SW		
48		V341-000010	1	WASHER,SQUARE			

1. Cylinder, Crankcase, Piston



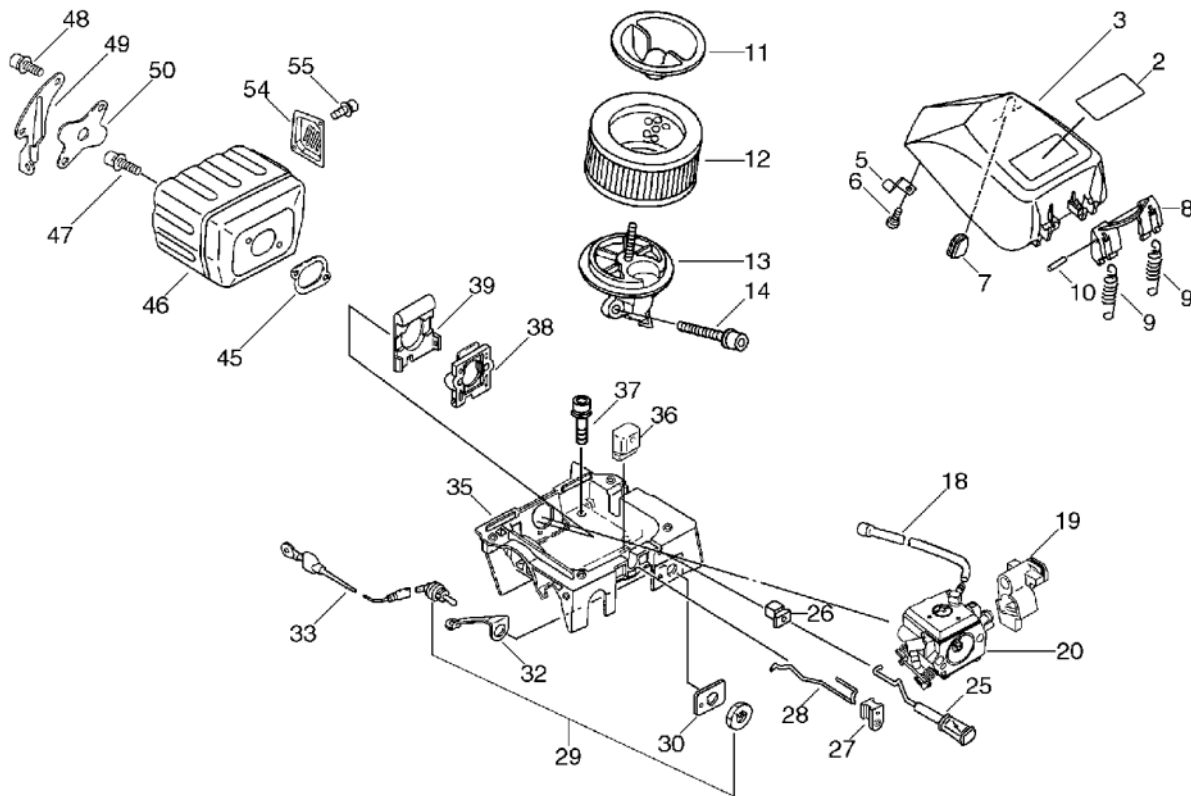
KEY	LV	PART NUMBER	Q'TY	DESCRIPTION	REMARKS	NOTE1	NOTE2
49		A160-000330	1	COVER,CYLINDER			
50		101578-37531	1	PLUG			
51		X505-000000	1	LABEL,CAUTION			
52		890345-39230	1	LABEL,CAUTION			
53		X505-000180	1	LABEL,CAUTION			

2. Air Cleaner, Muffler(Sr/Nr 36011479 and before)



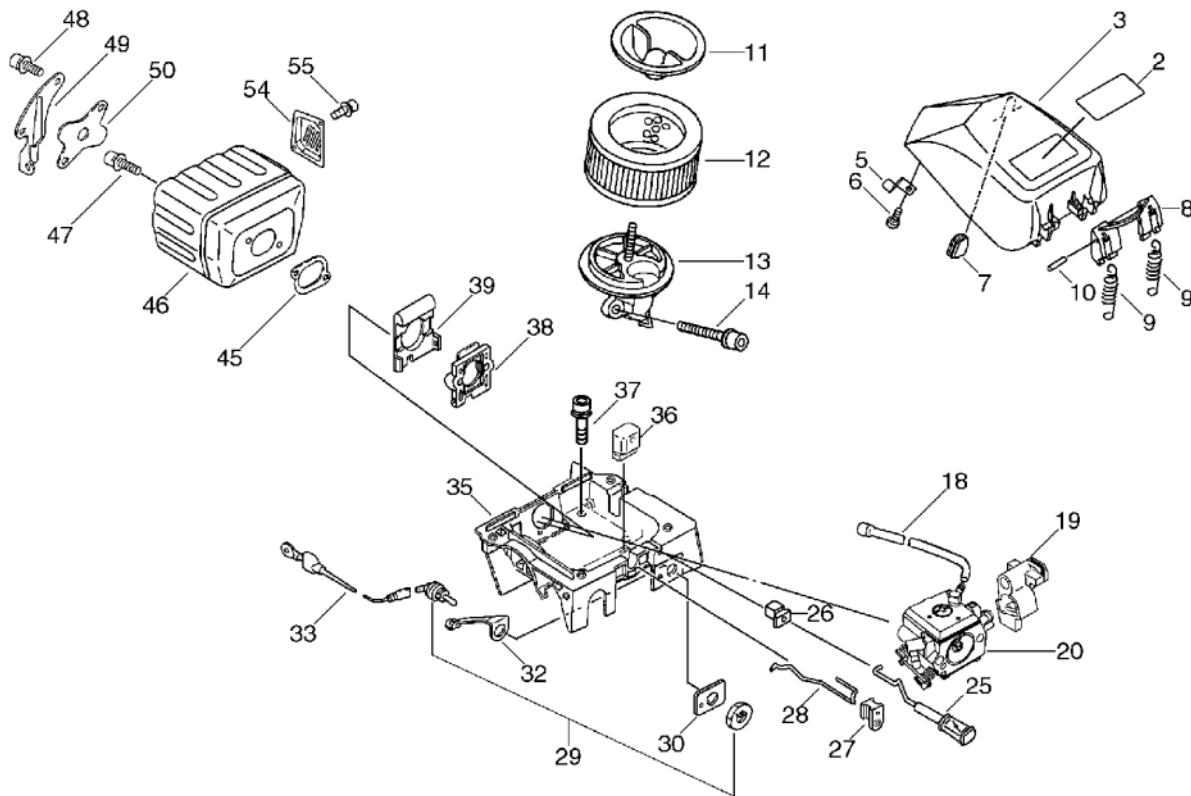
KEY	LV	PART NUMBER	Q'TY	DESCRIPTION	REMARKS	NOTE1	NOTE2
2		X503-002480	1	LABEL,MODEL	CS-6702 EU	Sus. by X503-002481	
2		X503-002481	1	LABEL,MODEL	CS-6702 EU		
3		A232-000070	1	LID,CLEANER			
5		V453-000040	2	SPRING,FLAT			
6		900253-04008	2	SCREW 4*8	4*8	Sus. by 900253-04010	
6		900253-04010	2	SCREW 4*10	4*10		
7		130338-32430	1	PLUG, COVER			
8		A235-000050	1	KNOB,CLEANER LID			
9		V451-000190	2	SPRING,TENSION			
10		900330-30120	4	PIN	3*12		
11		A238-000030	1	HOLDER,ELEMENT			
12		A226-000070	1	ELEMENT,AIR FILTER			
13		A204-000020	1	ELBOW,CARBURETOR			
14		91107-05050	2	BOLT HSH FLANGE	5*50		
18		130110-19830	1	PIPE, IMPULSE			
19		V131-000000	1	GROMMET,NEEDLE		Sr/Nr 35999999 and before	
19		V131-000010	1	GROMMET,NEEDLE		Sr/Nr 36001001 and after	
20		A021-000250	1	CARBURETOR,DIAPHRAGM	HDA-202	Sr/Nr 35999999 and before	
20		A021-000290	1	CARBURETOR,DIAPHRAGM	HDA-203	Sr/Nr 36001001 and after	
25		A241-000030	1	KNOB,CHOKE			

2. Air Cleaner, Muffler(Sr/Nr 36011479 and before)



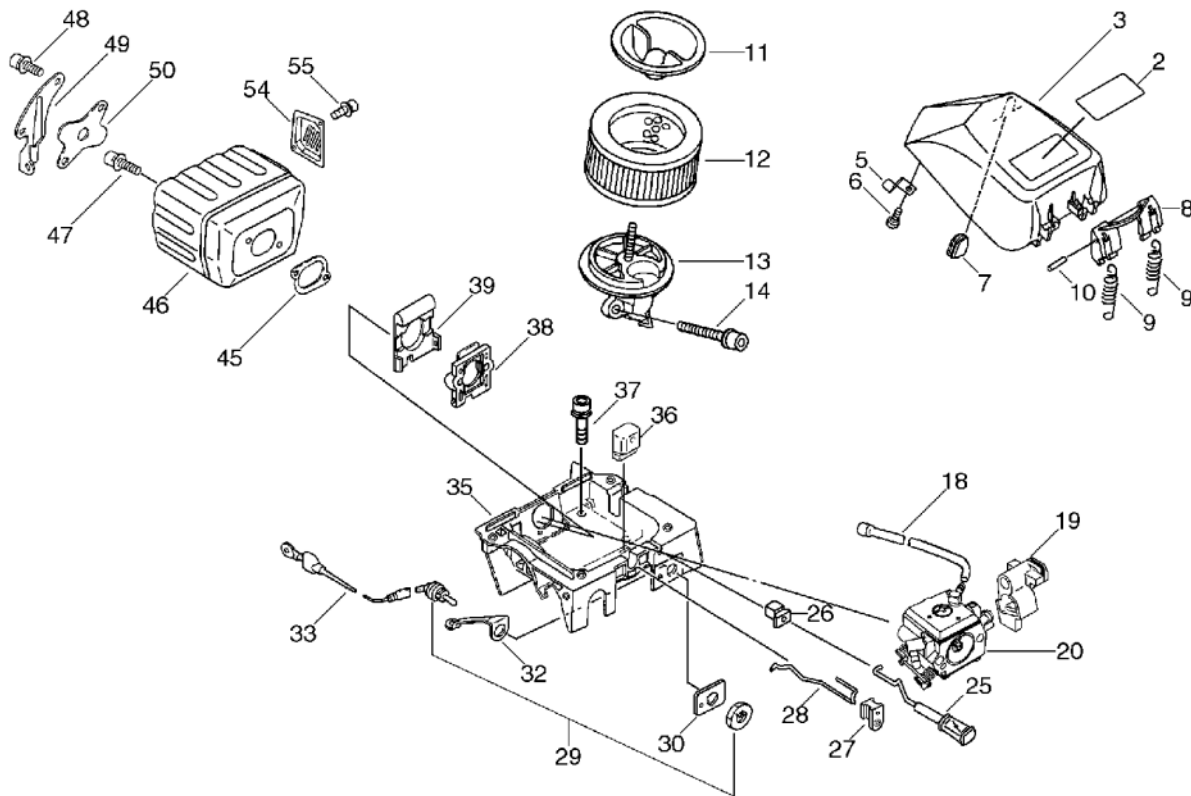
KEY	LV	PART NUMBER	Q'TY	DESCRIPTION	REMARKS	NOTE1	NOTE2
26		178810-33331	1	GROMMET, CHOKE			
27		178114-32630	1	HOLDER, THR. LEVER			
28		C454-000060	1	ROD, THROTTLE			
29		163400-32430	1	SWITCH, IGNITION			
30		890157-19830	1	LABEL, SWITCH			
32		156635-32430	1	PLATE, GROUND			
33		162021-32430	1	LEAD		Sus. by 162021-32431	
35		A220-000010	1	CASE, CARBURETOR		Sus. by A220-000011	
35		A220-000011	1	CASE, CARBURETOR			
36		V420-000540	1	CUSHION			
37		900162-05020	4	BOLT, H.S. 5*20	5*20 W,SW		
38		P021-002800	1	INSULATOR, INTAKE			
39		V420-000320	1	CUSHION			
45		145510-32431	1	GASKET, MUFFLER			
46		145610-32430	1	MUFFLER			
47		900162-05020	2	BOLT, H.S. 5*20	5*20 W,SW		
48		900162-05014	2	BOLT, H.S. 5*14	5*14 W,SW		
49		145711-32430	1	BRACKET, MUFFLER			
50		145813-31730	1	COVER, MUFFLER			
54		145861-32430	1	LID, MUFFLER			
55		900162-04010	2	BOLT, H.S. 4*10	4*10 W,SW		

3. Air Cleaner, Muffler(Sr/Nr 36011480 and after)



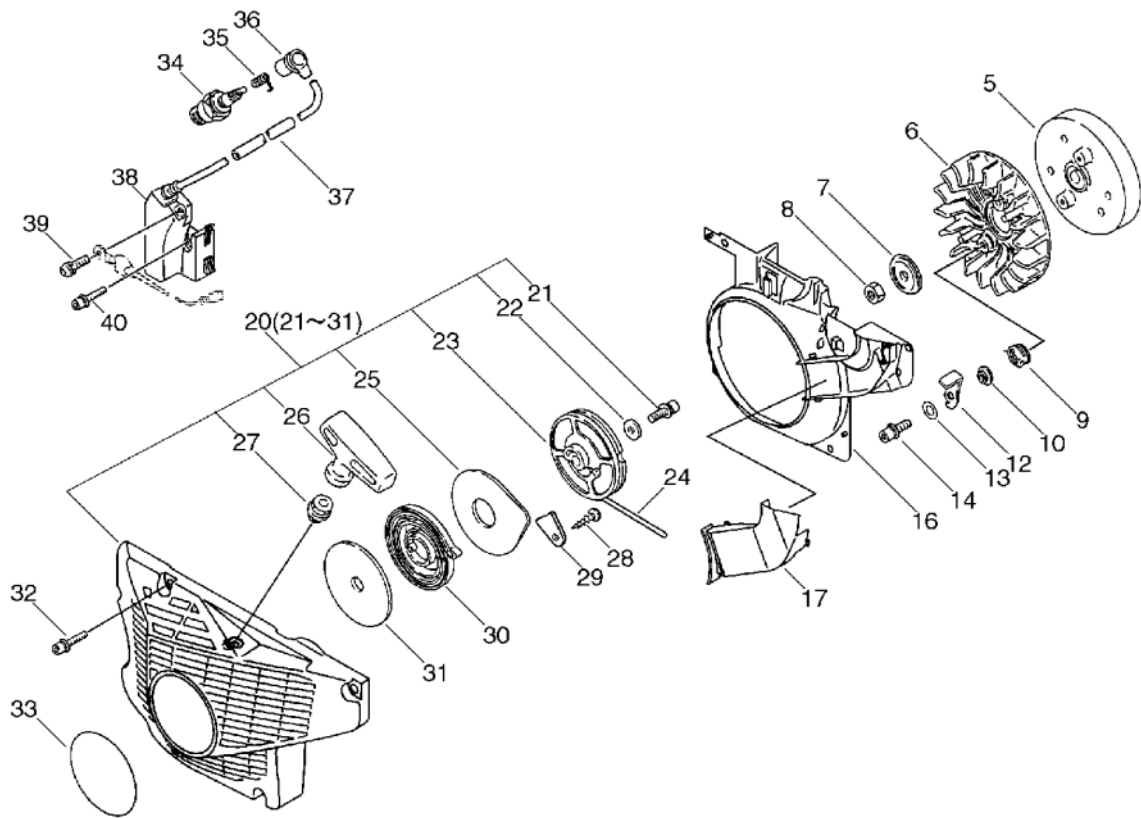
KEY	LV	PART NUMBER	Q'TY	DESCRIPTION	REMARKS	NOTE1	NOTE2
2		X503-002481	1	LABEL,MODEL	CS-6702 EU		
3		A232-000070	1	LID,CLEANER			
5		V453-000040	2	SPRING,FLAT			
6		900253-04010	2	SCREW 4*10	4*10		
7		130338-32430	1	PLUG, COVER			
8		A235-000050	1	KNOB,CLEANER LID			
9		V451-000190	2	SPRING,TENSION			
10		900330-30120	4	PIN	3*12		
11		A238-000030	1	HOLDER,ELEMENT			
12		A226-000070	1	ELEMENT,AIR FILTER			
13		A204-000020	1	ELBOW,CARBURETOR			
14		91107-05050	2	BOLT HSH FLANGE	5*50		
18		130110-19830	1	PIPE, IMPULSE			
19		V131-000000	1	GROMMET,NEEDLE			
19		V131-000010	1	GROMMET,NEEDLE			
20		A021-000250	1	CARBURETOR,DIAPHRAGM	HDA-202		
20		A021-000290	1	CARBURETOR,DIAPHRAGM	HDA-203		
25		A241-000030	1	KNOB,CHOKE			
26		178810-33331	1	GROMMET, CHOKE			
27		178114-32630	1	HOLDER, THR. LEVER			
28		C454-000060	1	ROD,THROTTLE			
29		163400-32430	1	SWITCH, IGNITION			
30		890157-19830	1	LABEL, SWITCH			
32		156635-32430	1	PLATE, GROUND			
33		162021-32430	1	LEAD			

3. Air Cleaner, Muffler(Sr/Nr 36011480 and after)



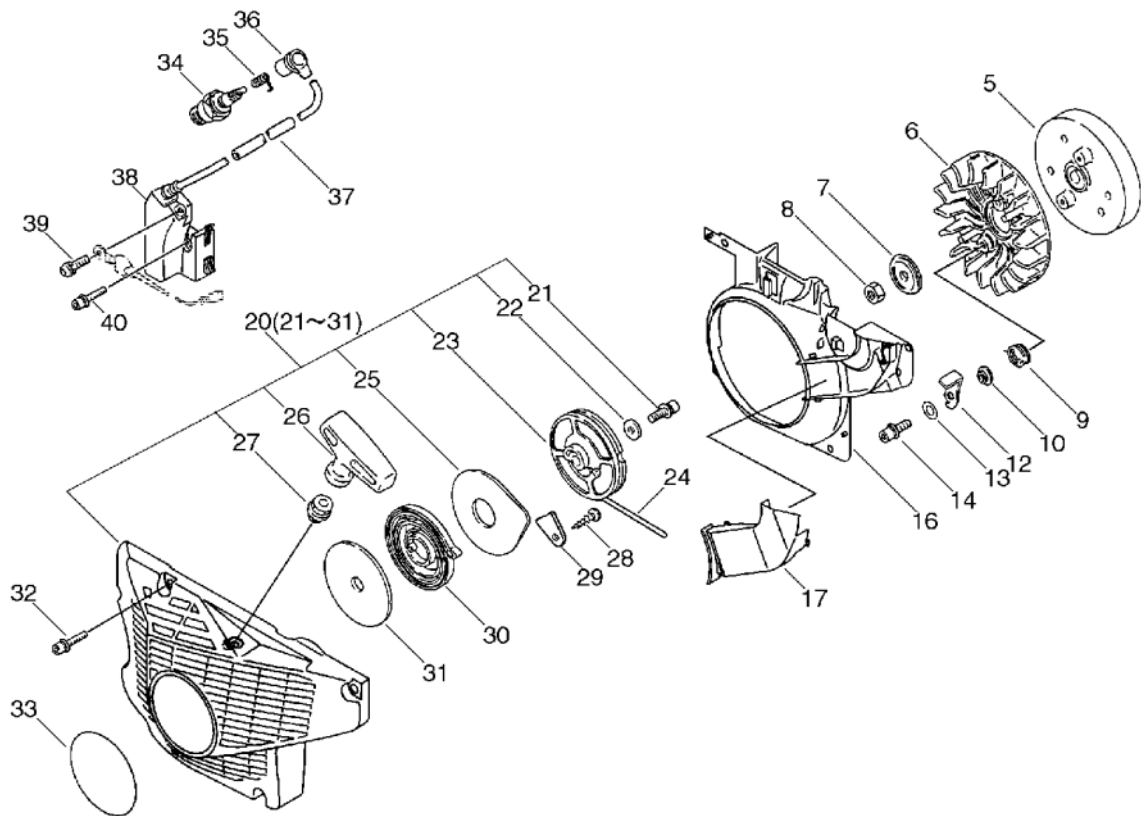
KEY	LV	PART NUMBER	Q'TY	DESCRIPTION	REMARKS	NOTE1	NOTE2
35		A220-000011	1	CASE,CARBURETOR		Sus. by A220-000012	
36		V420-000540	1	CUSHION			
37		900162-05020	4	BOLT, H.S. 5*20	5*20 W,SW		
38		P021-002800	1	INSULATOR,INTAKE			
39		V420-000320	1	CUSHION			
45		145510-32431	1	GASKET, MUFFLER			
46		145610-32430	1	MUFFLER			
47		900162-05020	2	BOLT, H.S. 5*20	5*20 W,SW		
48		900162-05014	2	BOLT, H.S. 5*14	5*14 W,SW		
49		145711-32430	1	BRACKET, MUFFLER			
50		145813-31730	1	COVER, MUFFLER			
54		145861-32430	1	LID, MUFFLER			
55		900162-04010	2	BOLT, H.S. 4*10	4*10 W,SW		

4. Starter, Magneto(Sr/Nr 36008566 and before)



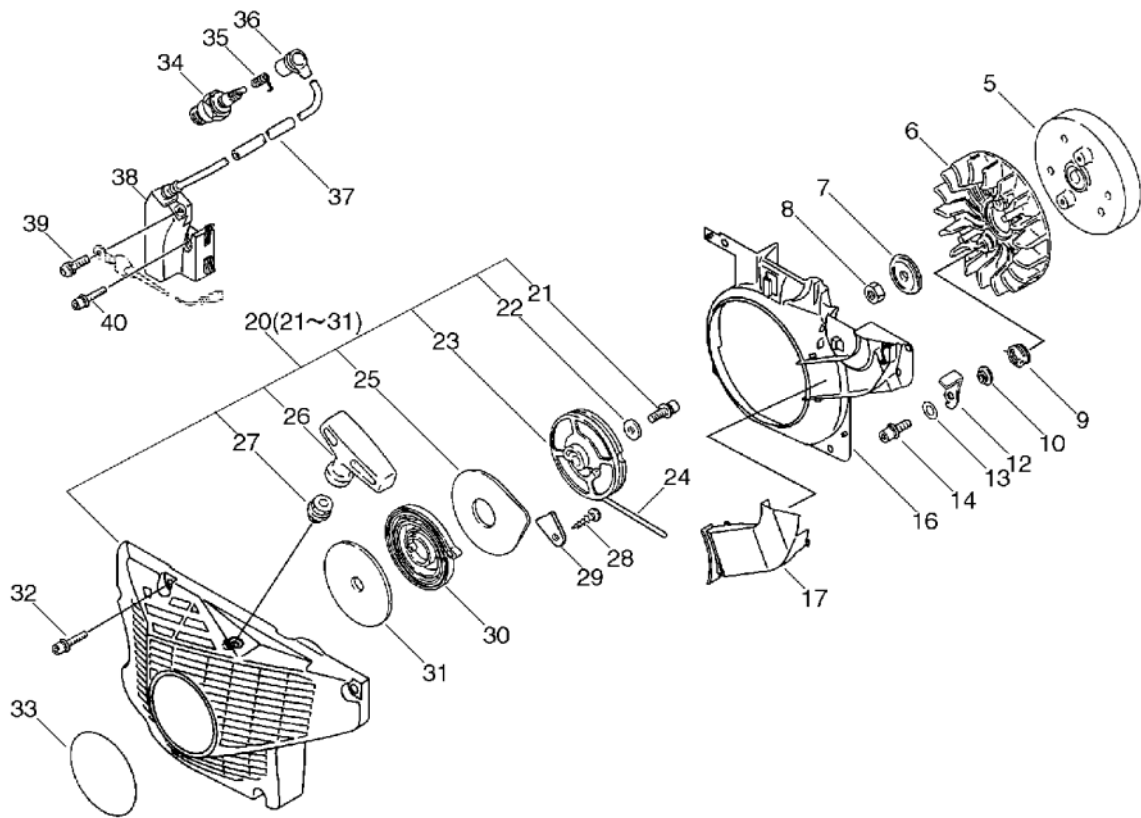
KEY	LV	PART NUMBER	Q'TY	DESCRIPTION	REMARKS	NOTE1	NOTE2
5		156800-32631	1	ROTOR, MAGNETO			
6		101521-32330	1	FAN, COOLING			
7		100143-19830	1	WASHER	8.2*31*0.8		
8		900500-00008	1	NUT 8	8*P1.25		
9		177234-19830	2	SPRING, RETURN		Sus. by 177234-19832	
9		177234-19831	2	SPRING, RETURN		Sus. by 177234-19832	
9		177234-19832	2	SPRING, RETURN			
10		177247-19830	2	SPACER, RATCHET		Sr/Nr 35005074 and before	
10		V353-000190	2	COLLAR,5		Sr/Nr 35005075 and after	
12		177218-32630	2	PAWL, STARTER		Sr/Nr 35005074 and before	
12		177218-32631	2	PAWL, STARTER		Sr/Nr 35005075 and after	
13		900603-00005	2	WASHER 5	5.5*12*0.8		
14		900162-05014	2	BOLT, H.S. 5*14	5*14 W,SW	Sr/Nr 35005074 and before	
14		900162-05020	2	BOLT, H.S. 5*20	5*20 W,SW	Sus. by V203-000150	
14		V203-000150	2	BOLT,5	5*18	Sr/Nr 35005075 and after	
16		A172-000130	1	COVER,FAN			
17		A161-000020	1	DUCT,AIR			

4. Starter, Magneto(Sr/Nr 36008566 and before)



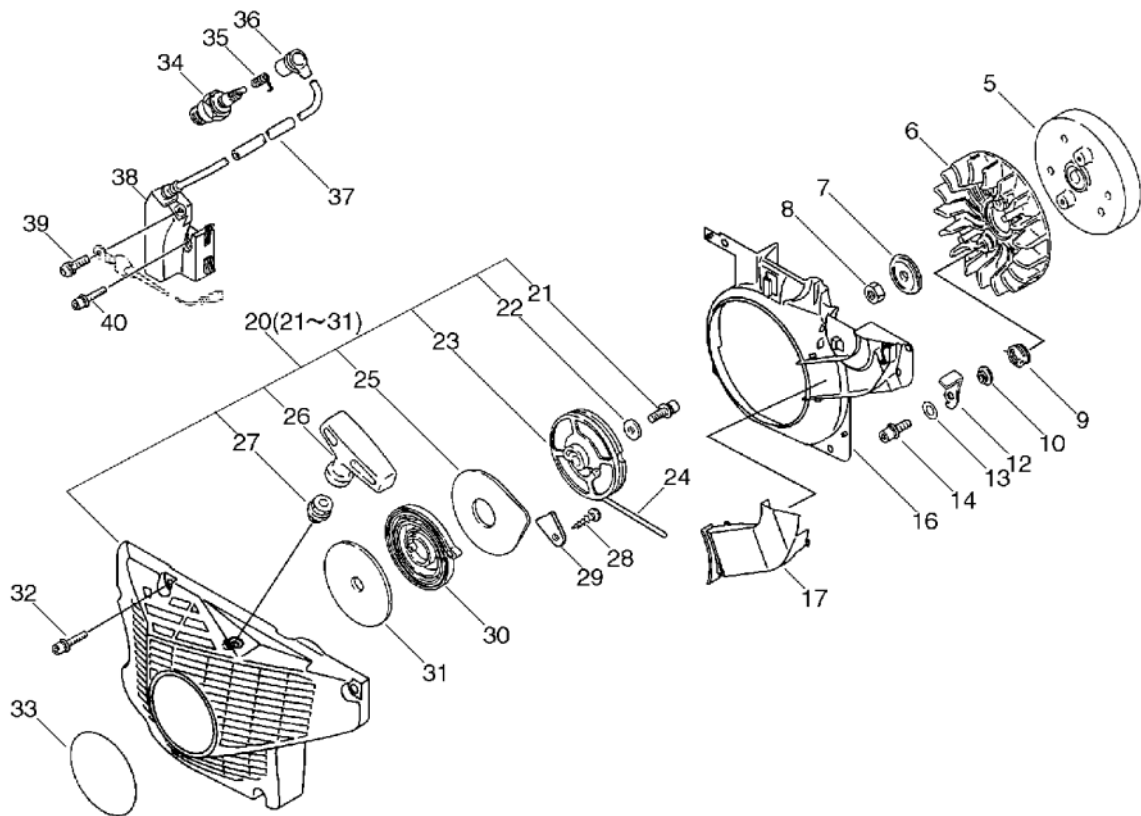
KEY	LV	PART NUMBER	Q'TY	DESCRIPTION	REMARKS	NOTE1	NOTE2
20		P021-002900	1	STARTER ASY		Sus. by P021-002901	
20		P021-002901	1	STARTER ASY			
21	+	900162-05014	1	BOLT, H.S. 5*14	5*14 W,SW		
22	+	900603-00005	1	WASHER 5	5.5*12*0.8		
23	+	177215-32330	1	DRUM, STARTER			
24	+	177226-07060	1	ROPE, STARTER	4.0*950		
25	+	177221-07060	1	PLATE, STARTER			
26	+	177228-30830	1	GRIP, STARTER			
27	+	177227-07060	1	GUIDE, ROPE			
28	+	900253-04008	1	SCREW 4*8	4*8		
29	+	433144-15130	1	PLATE,EYE			
30	+	177220-02834	1	SPRING, REWIND			
31	+	177221-02830	1	PLATE, STARTER			
32		900162-05020	4	BOLT, H.S. 5*20	5*20 W,SW		
33		890118-17930	1	LABEL, ECHO		Sus. by X502-000460	
34		159010-10230	1	PLUG, SPARK (BPMR-7A	BPMR-7A		
35		A426-000010	1	TERMINAL,SPARKPLUG			
36		A427-000010	1	CAP,SPARK PLUG		Sus. by A427-000012	
36		A427-000011	1	CAP,SPARK PLUG		Sus. by A427-000012	
36		A427-000012	1	CAP,SPARK PLUG			
37		150611-32430	1	TUBE	7*8.6*90		
38		156601-32631	1	COIL, IGNITION			

4. Starter, Magneto(Sr/Nr 36008566 and before)



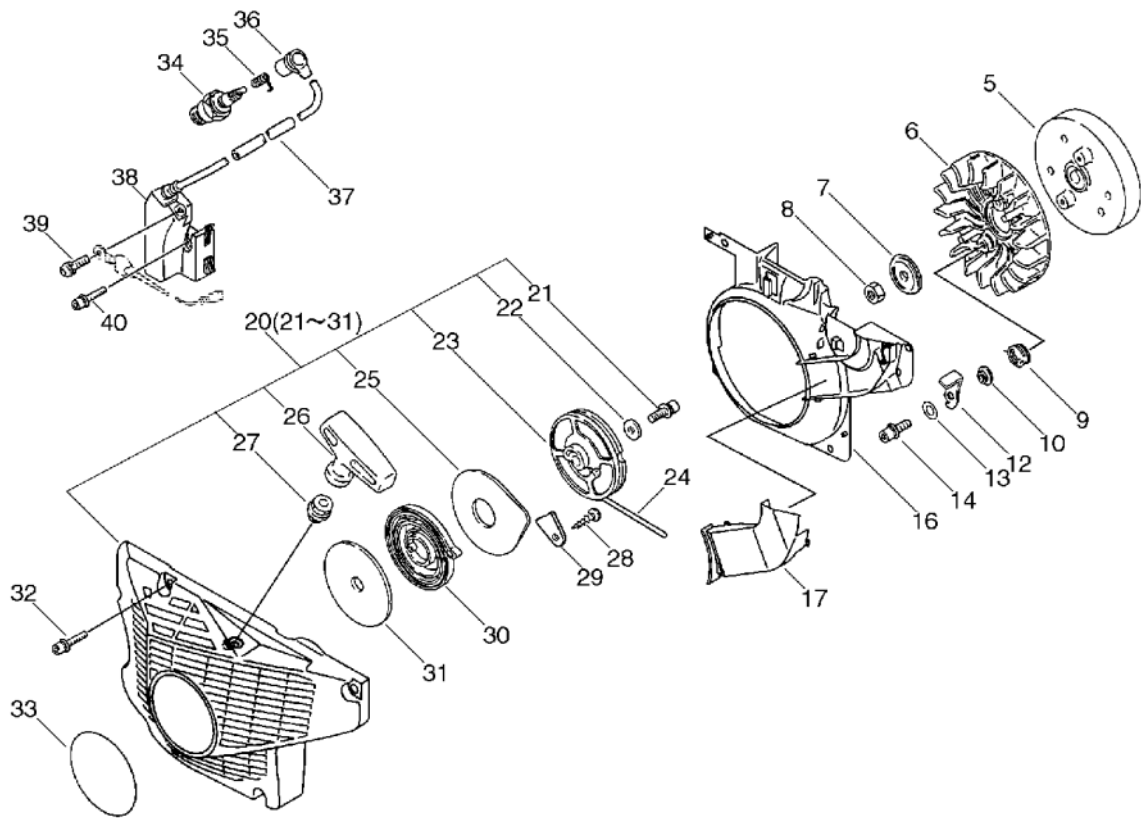
KEY	LV	PART NUMBER	Q'TY	DESCRIPTION	REMARKS	NOTE1	NOTE2
39		900242-04008	1	SCREW	4*8		
40		900162-04020	2	BOLT, H.S. 4*20	4*20 W,SW		

5. Starter, Magneto(Sr/Nr 36008567 and after)



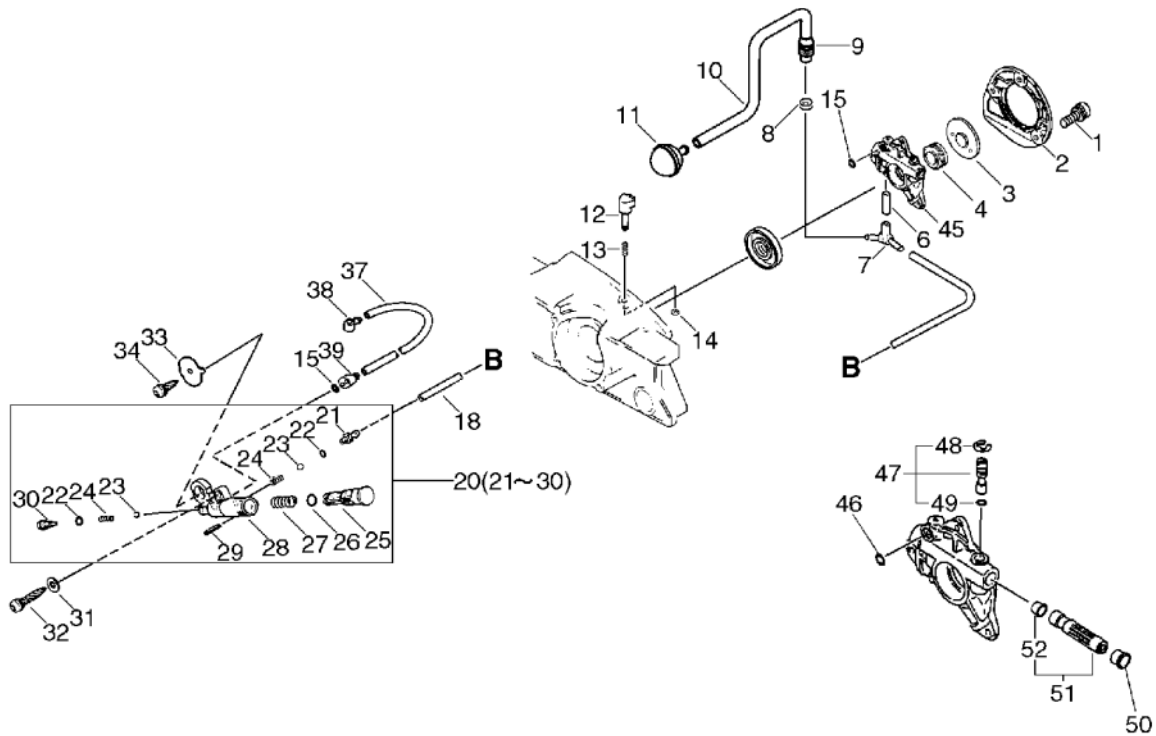
KEY	LV	PART NUMBER	Q'TY	DESCRIPTION	REMARKS	NOTE1	NOTE2
5		156800-32631	1	ROTOR, MAGNETO			
6		101521-32330	1	FAN, COOLING			
7		100143-19830	1	WASHER	8.2*31*0.8		
8		900500-00008	1	NUT 8	8*P1.25		
9		177234-19832	2	SPRING, RETURN			
10		V353-000191	2	COLLAR,5			
12		177218-32631	2	PAWL, STARTER			
13		900603-00005	2	WASHER 5	5.5*12*0.8		
14		V203-000150	2	BOLT,5	5*18		
16		A172-000130	1	COVER,FAN			
17		A161-000020	1	DUCT,AIR			
20		P021-002901	1	STARTER ASY			
21	+	900162-05014	1	BOLT, H.S. 5*14	5*14 W,SW		
22	+	900603-00005	1	WASHER 5	5.5*12*0.8		
23	+	177215-32330	1	DRUM, STARTER			
24	+	177226-07060	1	ROPE, STARTER	4.0*950		
25	+	177221-07060	1	PLATE, STARTER			
26	+	177228-30830	1	GRIP, STARTER			
27	+	177227-07060	1	GUIDE, ROPE			
28	+	900253-04008	1	SCREW 4*8	4*8		
29	+	433144-15130	1	PLATE,EYE			
30	+	177220-02834	1	SPRING, REWIND			
31	+	177221-02830	1	PLATE, STARTER			
32		900162-05020	4	BOLT, H.S. 5*20	5*20 W,SW		
33		890118-17930	1	LABEL, ECHO		Sus. by X502-000460	

5. Starter, Magneto(Sr/Nr 36008567 and after)



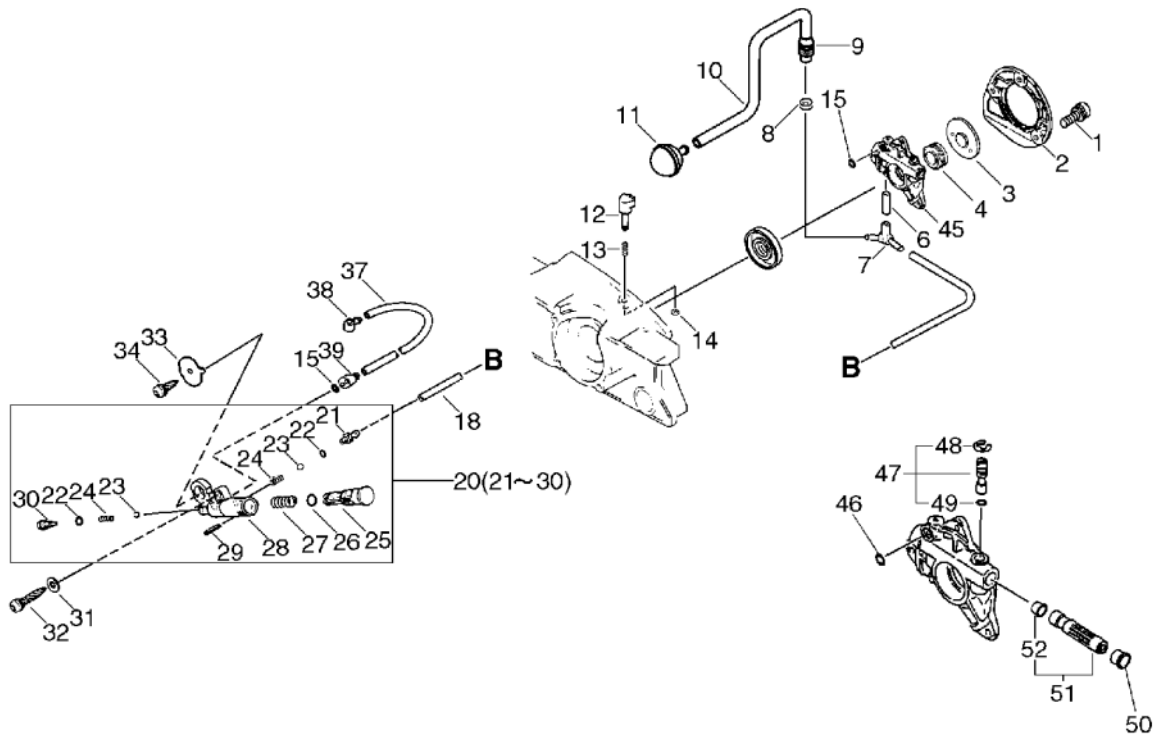
KEY	LV	PART NUMBER	Q'TY	DESCRIPTION	REMARKS	NOTE1	NOTE2
33		X502-000460	1	LABEL,ECHO			
34		159010-10230	1	PLUG, SPARK (BPMR-7A	BPMR-7A		
35		A426-000010	1	TERMINAL, SPARKPLUG			
36		A427-000012	1	CAP, SPARK PLUG			
37		150611-32430	1	TUBE	7*8.6*90		
38		156601-32631	1	COIL, IGNITION		Sus. by 156601-32632	
39		900242-04008	1	SCREW	4*8		
40		900162-04020	2	BOLT, H.S. 4*20	4*20 W,SW		

6. Auto-Oiler



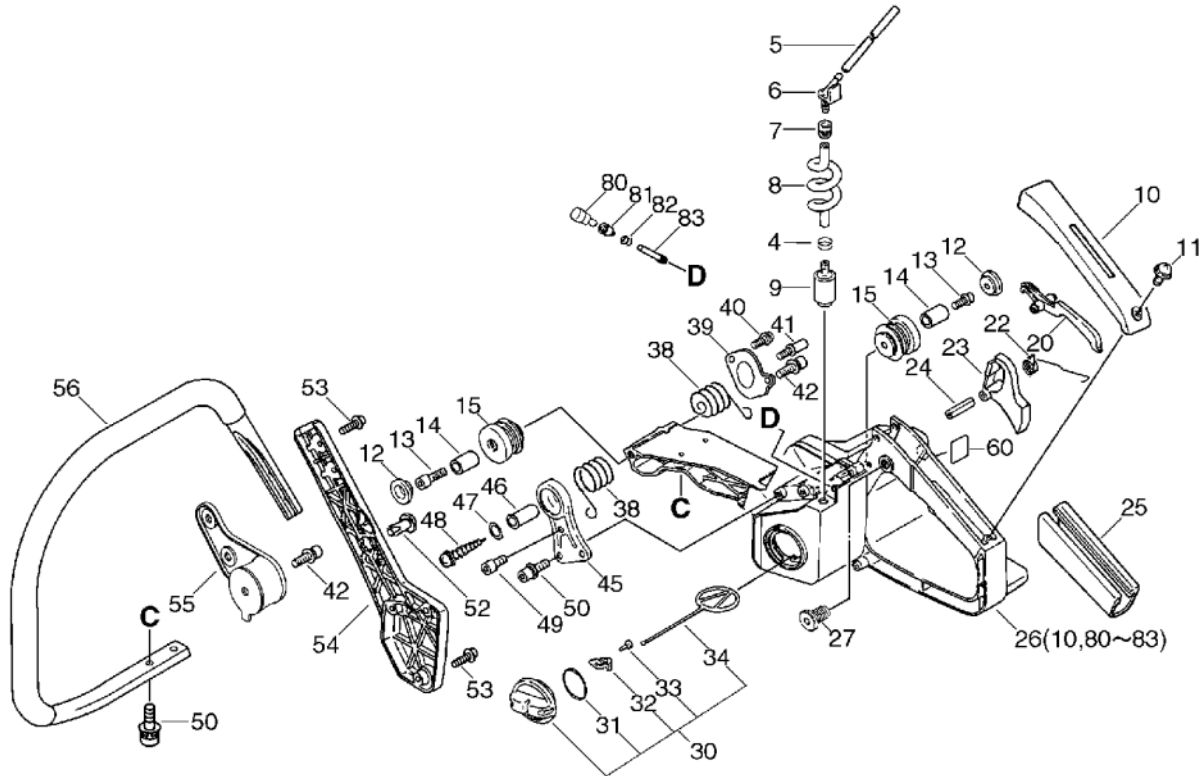
KEY	LV	PART NUMBER	Q'TY	DESCRIPTION	REMARKS	NOTE1	NOTE2
1		900162-04012	3	BOLT, H.S. 4*12	4*12 W,SW		
2		437605-32430	1	COVER, OIL PUMP			
3		V309-000010	1	WASHER,CIRCULAR 12	12*37*3.2	Sr/Nr 002250 and before	
3		437066-30130	1	WASHER, CIRCULAR 12		Sr/Nr 002251 and after	
4		437063-19930	1	WORM (P)			
6		437211-32430	1	PIPE			
7		437212-32430	1	CONNECTOR, OIL PIPE			
8		132013-26630	1	CLIP	6.5MM		
9		132115-12330	1	GROMMET			
10		437210-38330	1	PIPE, OIL			
11		436205-14730	1	STRAINER, OIL			
12		437039-37630	1	KNOB			
13		437015-19830	1	SPRING			
14		900700-00003	1	E-RING 3	CE-3		
15		900720-00003	2	O-RING P-3	P-3		
18		437210-15130	1	PIPE, OIL	3*6*200L		
20		437100-38831	1	OIL PUMP ASSY		Sus. by 437100-38832	
20		437100-38832	1	OILER ASY, MANUAL			
21	+	437118-19830	1	NIPPLE			
22	+	437122-03430	2	O-RING			
23	+	437012-00330	2	VALVE, BALL			
24	+	437013-00330	2	SPRING, VALVE		Sus. by V450-000290	

6. Auto-Oiler



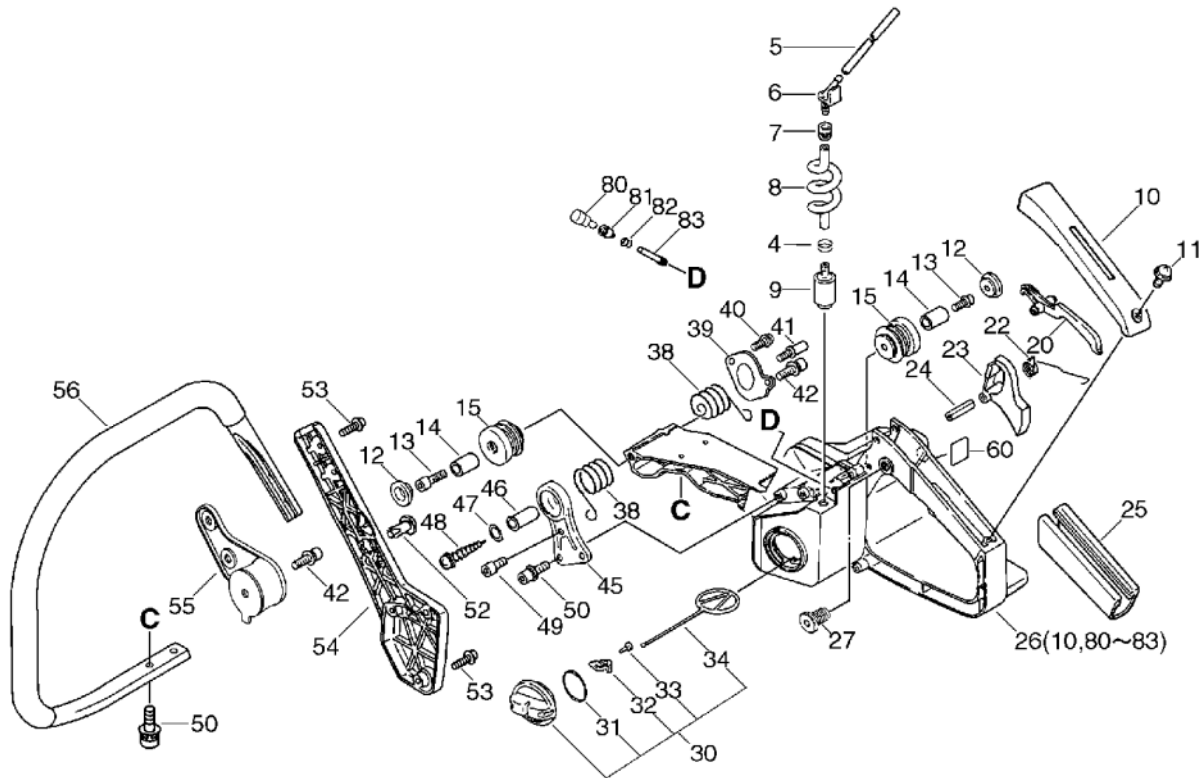
KEY	LV	PART NUMBER	Q'TY	DESCRIPTION	REMARKS	NOTE1	NOTE2
24	+	V450-000290	2	SPRING, COMPRESSION			
25	+	437112-38731	1	PISTON, OIL PUMP			
26	+	900720-00007	1	O-RING 7	P-7		
27	+	437111-19830	1	SPRING			
28	+	437110-19831	1	BODY, OIL PUMP			
29	+	900345-20016	1	PIN, SPRING 2*16SUS	2*16SUS		
30	+	437121-10130	1	ADAPTER, OIL PUMP			
31		900603-00005	1	WASHER 5	5.5*12*0.8		
32		900252-05020	1	SCREW 5*20	5*20		
33		437413-19830	1	BARCKET, OIL PUMP			
34		900252-04010	1	SCREW 4*10	4*10		
37		437216-32630	1	PIPE, OUTLET			
38		437232-32630	1	CONNECTOR, OIL PIPE			
39		437212-32630	1	CONNECTOR, OIL PIPE			
45		437002-37530	1	AUTO-OILER ASSY			
46	+	900720-00003	1	O-RING P-3	P-3		
47	+	437009-35430	1	PIN, CONTROL			
48	++	437065-19830	1	CLIP			
49	++	437030-19830	1	O-RING			
50	+	437062-19830	1	CAP, PLUNGER			
51	+	437006-32330	1	PLUNGER KIT			
52	++	437020-32430	1	V-RING			

7. Handle(Sr/Nr 36008566 and before)



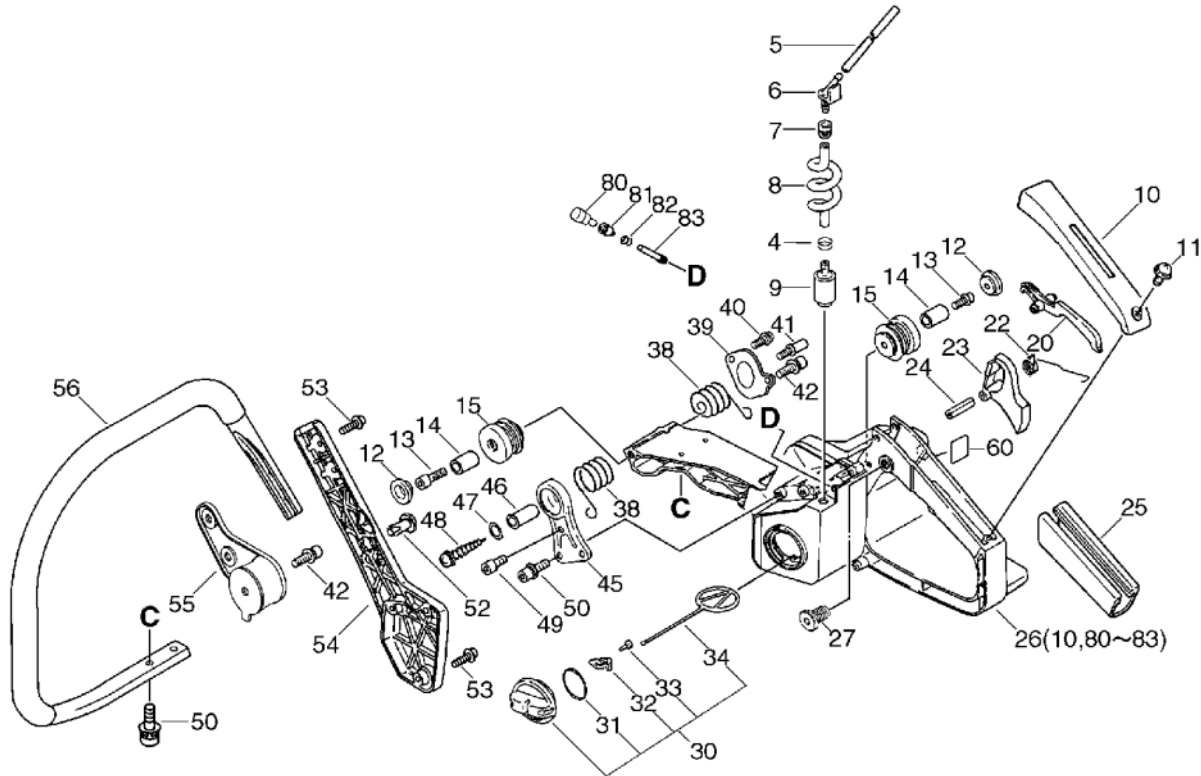
KEY	LV	PART NUMBER	Q'TY	DESCRIPTION	REMARKS	NOTE1	NOTE2
4		132013-26630	1	CLIP	6.5MM	Sr/Nr 36005851 and after	
5		132012-19830	1	PIPE 3*6*100	3*6*100	Sus. by 132010-56030	
5		132010-56030	1	PIPE 3*6*110	3*6*110 NBR		
6		132011-19830	1	CONNECTOR, FUEL PIPE		Sus. by 132011-19831	
7		132115-01461	1	GROMMET			
8		132010-30830	1	PIPE			
9		131205-19830	1	STRAINER, FUEL			
10		132013-26630	1	CLIP	6.5MM		
11		900238-04014	1	SCREW 4*14	4*14		
12		100918-19830	2	CAP, CUSHION			
13		900105-05025	2	BOLT, H.S. 5*25	5*25		
14		V353-000110	2	COLLAR,5			
15		V420-000530	2	CUSHION			
20		178090-37930	1	LOCKOUT, T. CONTROL			
22		178043-19830	1	SPRING, THR. RETURN			
23		C450-000040	1	TRIGGER, THROTTLE		Sus. by C450-000041	
24		900342-50025	1	PIN, SPRING 5*25	5*25		
25		351111-19830	1	GRIP, HANDLE			
26		351103-32432	1	HANDLE, REAR		Sus. by 351103-32433	
26		351103-32433	1	HANDLE, REAR			
10	+	351155-35430	1	COVER, HANDLE (BL)			

7. Handle(Sr/Nr 36008566 and before)



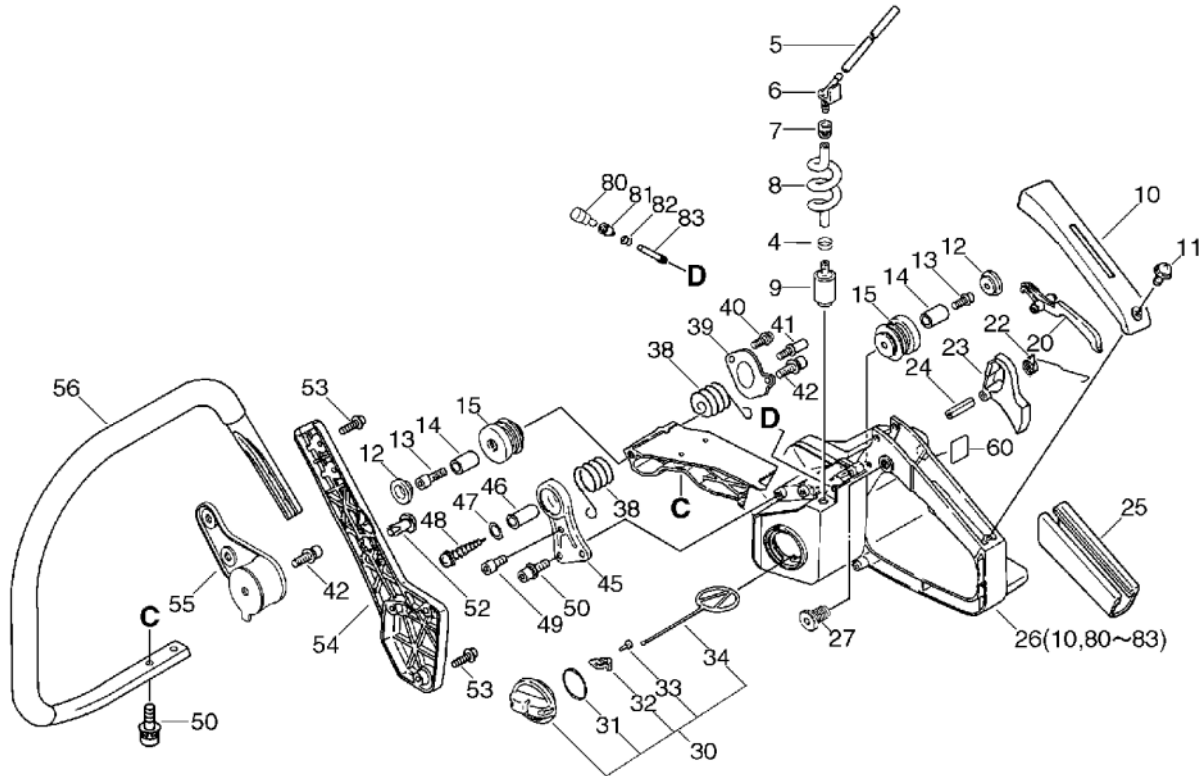
KEY	LV	PART NUMBER	Q'TY	DESCRIPTION	REMARKS	NOTE1	NOTE2
80	+	131300-56430	1	VALVE, CHECK			
81	+	131328-40630	1	COVER, VENT			
82	+	130111-00530	1	CLIP	5.5		
83	+	131312-32430	1	PIPE, VENT			
27		V162-000040	1	PLUG			
30		131004-37631	1	CAP ASSY, FUEL TANK			
31	+	900720-20029	1	O-RING 29	P-29		
32	+	131050-19830	1	RETAINER, LINK			
33	+	900246-03008	1	SCREW 3*8	3*8		
34	+	131051-19830	1	LINK	60L		
38		V450-000150	2	SPRING, COMPRESSION			
39		V150-000750	1	PLATE, EYE			
40		900162-04008	1	BOLT, H.S. 4*8	4*8 W, SW		
41		V203-000050	1	BOLT, 5			
42		900162-05014	2	BOLT, H.S. 5*14	5*14 W, SW		
45		V419-000010	1	BRACKET, CUSHION			
46		V353-000120	1	COLLAR, 5			
47		900630-00005	1	WASHER 5	5(ﾄ)5.5*16*1T		
48		900253-05035	1	SCREW 5*35	5*35		
49		900105-05008	1	BOLT, H.S. 5*8	5*8		
50		900162-05014	4	BOLT, H.S. 5*14	5*14 W, SW		
52		V649-000010	1	RIVET			
53		900238-05020	5	SCREW 5*20	5*20		
54		351616-38130	1	BRACKET, HANDLE			
55		V401-000050	1	CUSHION, 5			

7. Handle(Sr/Nr 36008566 and before)



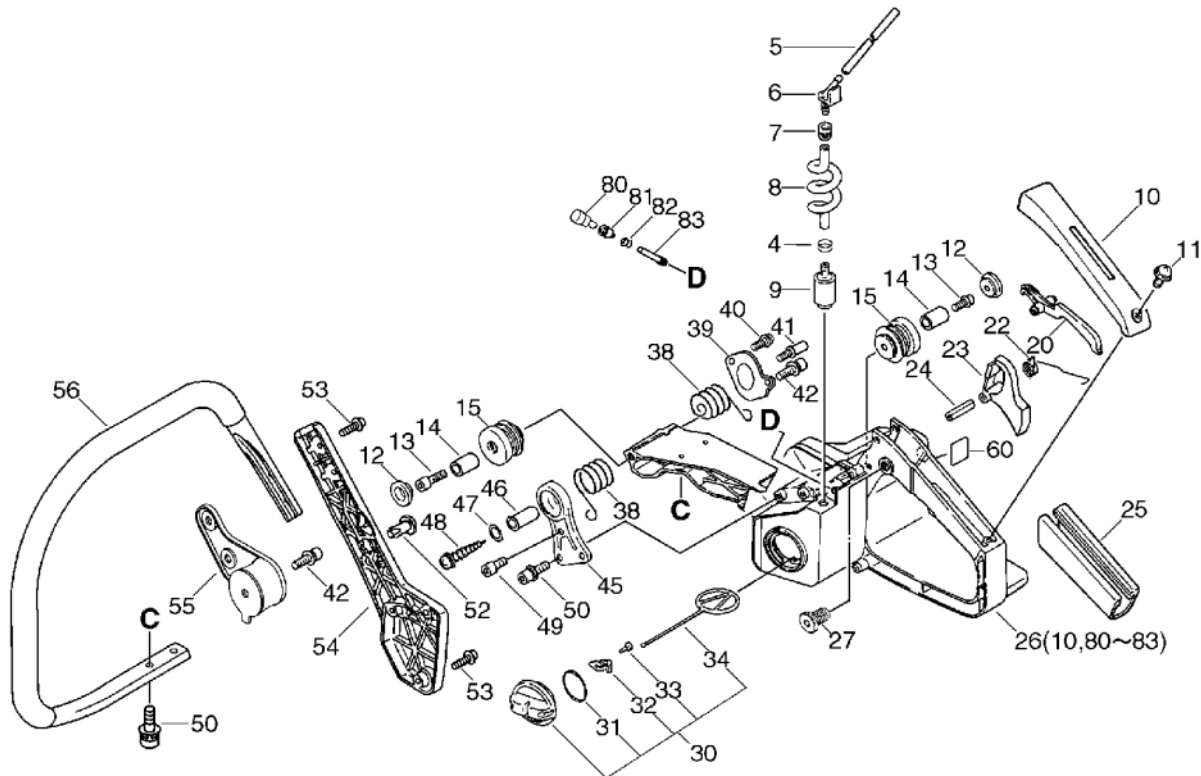
KEY	LV	PART NUMBER	Q'TY	DESCRIPTION	REMARKS	NOTE1	NOTE2
56		C400-000100	1	HANDLE,FRONT			
60		890157-39130	1	LABEL, SWITCH			

8. Handle(Sr/Nr 36008567 to 36011479)



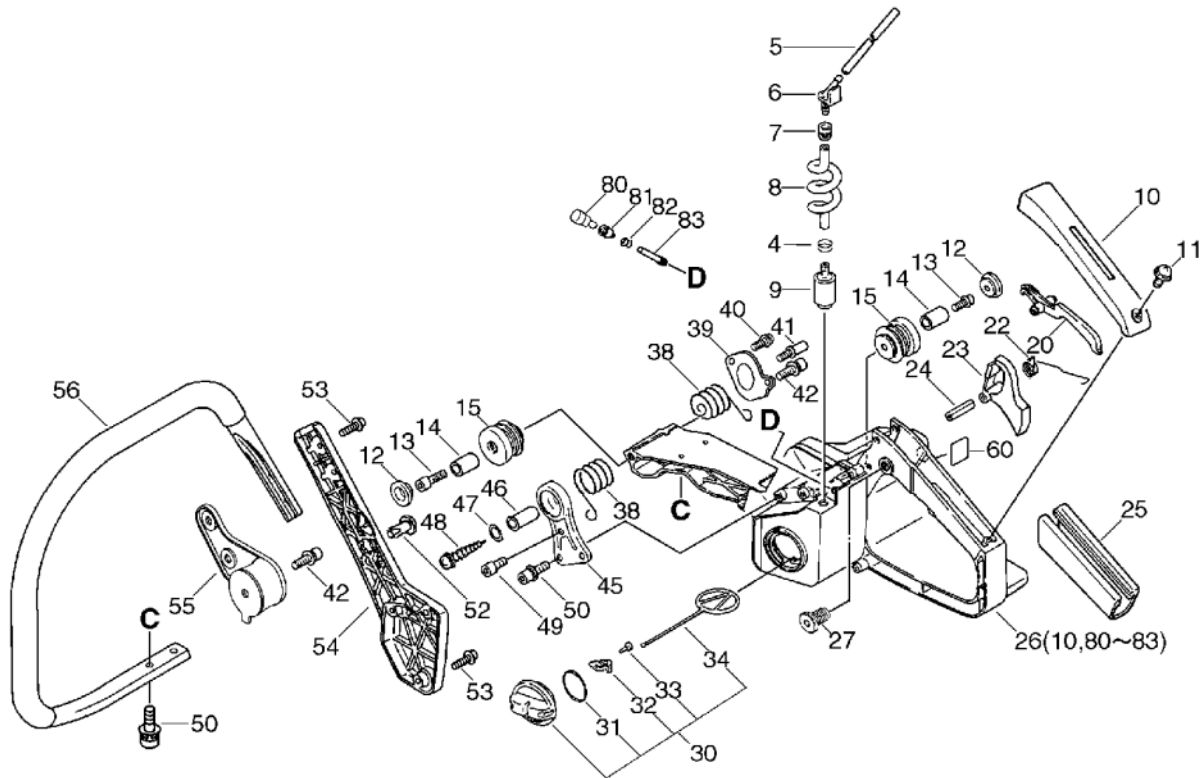
KEY	LV	PART NUMBER	Q'TY	DESCRIPTION	REMARKS	NOTE1	NOTE2
4		132013-26630	1	CLIP	6.5MM		
5		132010-56030	1	PIPE 3*6*110	3*6*110 NBR		
6		132011-19830	1	CONNECTOR, FUEL PIPE		Sus. by 132011-19831	
6		132011-19831	1	CONNECTOR, FUEL PIPE			
7		132115-01461	1	GROMMET			
8		132010-30830	1	PIPE			
9		131205-19830	1	STRAINER, FUEL			
11		900238-04014	1	SCREW 4*14	4*14		
12		100918-19830	2	CAP, CUSHION			
13		900105-05025	2	BOLT, H.S. 5*25	5*25		
14		V353-000110	2	COLLAR,5			
15		V420-000530	2	CUSHION			
20		178090-37930	1	LOCKOUT, T. CONTROL			
22		178043-19830	1	SPRING, THR. RETURN			
23		C450-000040	1	TRIGGER, THROTTLE		Sus. by C450-000041	
23		C450-000041	1	TRIGGER, THROTTLE		Sus. by C450-000042	
23		C450-000042	1	TRIGGER, THROTTLE			
24		900342-50025	1	PIN, SPRING 5*25	5*25		
25		351111-19830	1	GRIP, HANDLE			
26		351103-32433	1	HANDLE, REAR			
10	+	351155-35430	1	COVER, HANDLE (BL)			
80	+	131300-56430	1	VALVE, CHECK			
81	+	131328-40630	1	COVER, VENT			

8. Handle(Sr/Nr 36008567 to 36011479)



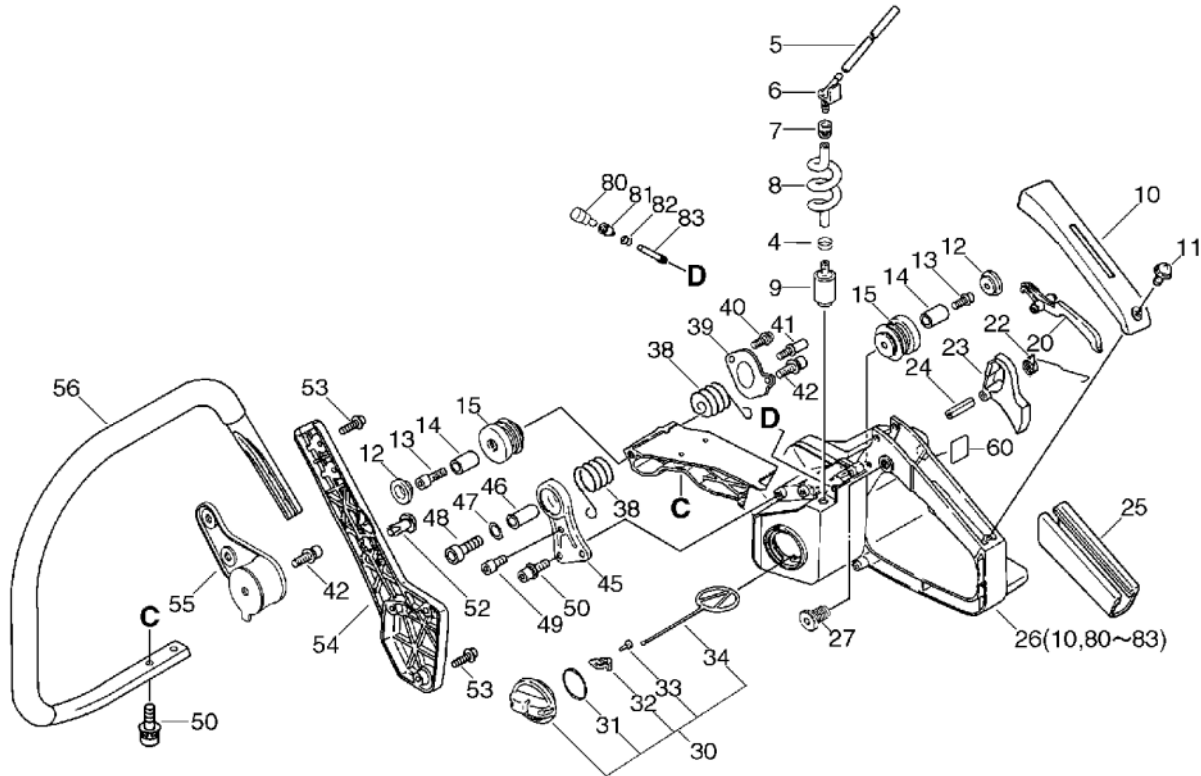
KEY	LV	PART NUMBER	Q'TY	DESCRIPTION	REMARKS	NOTE1	NOTE2
82	+	130111-00530	1	CLIP	5.5		
83	+	131312-32430	1	PIPE, VENT			
27		V162-000040	1	PLUG			
30		131004-37631	1	CAP ASSY, FUEL TANK			
31	+	900720-20029	1	O-RING 29	P-29		
32	+	131050-19830	1	RETAINER, LINK			
33	+	900246-03008	1	SCREW 3*8	3*8		
34	+	131051-19830	1	LINK	60L		
38		V450-000150	2	SPRING, COMPRESSION			
39		V150-000750	1	PLATE, EYE			
40		900162-04008	1	BOLT, H.S. 4*8	4*8 W, SW		
41		V203-000050	1	BOLT, 5			
42		900162-05014	2	BOLT, H.S. 5*14	5*14 W, SW		
45		V419-000010	1	BRACKET, CUSHION			
46		V353-000120	1	COLLAR, 5			
47		900630-00005	1	WASHER 5	5(ト)5.5*16*1T		
48		900253-05035	1	SCREW 5*35	5*35		Sr/Nr 36008567 to 36011479
49		900105-05008	1	BOLT, H.S. 5*8	5*8		
50		900162-05014	4	BOLT, H.S. 5*14	5*14 W, SW		
52		V649-000010	1	RIVET			
53		900238-05020	5	SCREW 5*20	5*20		
54		351616-38130	1	BRACKET, HANDLE			
55		V401-000050	1	CUSHION, 5			

8. Handle(Sr/Nr 36008567 to 36011479)



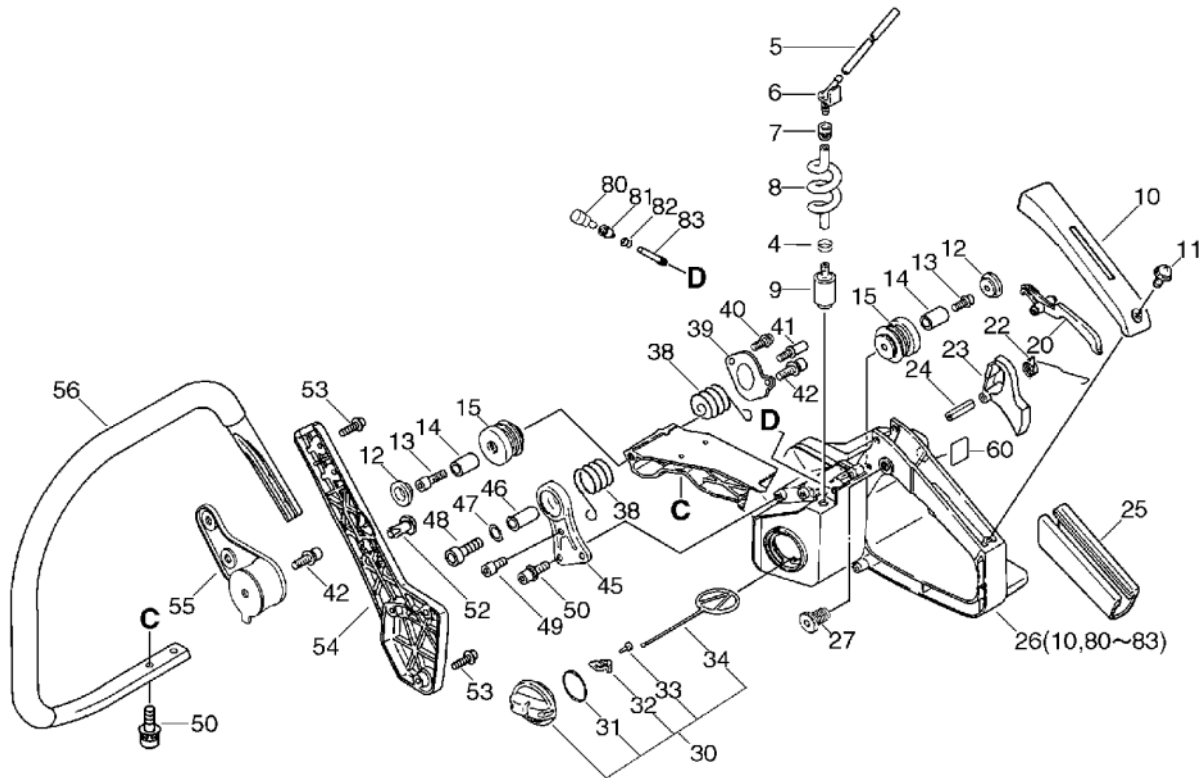
KEY	LV	PART NUMBER	Q'TY	DESCRIPTION	REMARKS	NOTE1	NOTE2
56		C400-000100	1	HANDLE,FRONT			
60		890157-39130	1	LABEL, SWITCH			

9. Handle(Sr/Nr 36011480 and after)



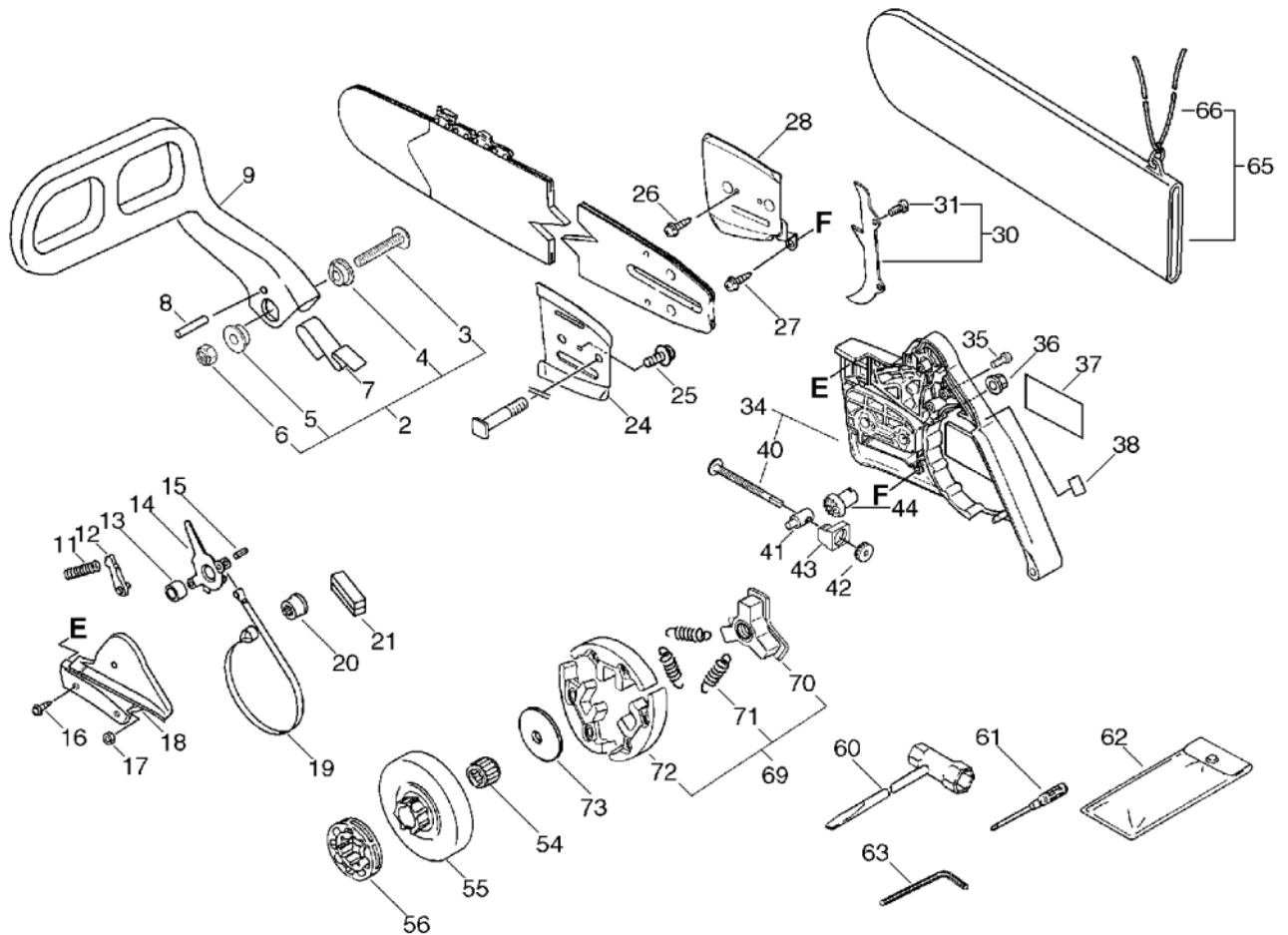
KEY	LV	PART NUMBER	Q'TY	DESCRIPTION	REMARKS	NOTE1	NOTE2
4		132013-26630	1	CLIP	6.5MM		
5		132010-56030	1	PIPE 3*6*110	3*6*110 NBR		
6		132011-19831	1	CONNECTOR, FUEL PIPE			
7		132115-01461	1	GROMMET			
8		132010-30830	1	PIPE			
9		131205-19830	1	STRAINER, FUEL			
11		900238-04014	1	SCREW 4*14	4*14		
12		100918-19830	2	CAP, CUSHION			
13		900105-05025	2	BOLT, H.S. 5*25	5*25		
14		V353-000110	2	COLLAR,5			
15		V420-000530	2	CUSHION			
20		178090-37930	1	LOCKOUT, T. CONTROL			
22		178043-19830	1	SPRING, THR. RETURN			
23		C450-000042	1	TRIGGER, THROTTLE			
24		900342-50025	1	PIN, SPRING 5*25	5*25		
25		351111-19830	1	GRIP, HANDLE			
26		351103-32433	1	HANDLE, REAR			
10	+	351155-35430	1	COVER, HANDLE (BL)			
80	+	131300-56430	1	VALVE, CHECK			
81	+	131328-40630	1	COVER, VENT			
82	+	130111-00530	1	CLIP	5.5		
83	+	131312-32430	1	PIPE, VENT			
27		V162-000040	1	PLUG			
30		131004-37631	1	CAP ASSY, FUEL TANK			
31	+	900720-20029	1	O-RING 29	P-29		
32	+	131050-19830	1	RETAINER, LINK			

9. Handle(Sr/Nr 36011480 and after)



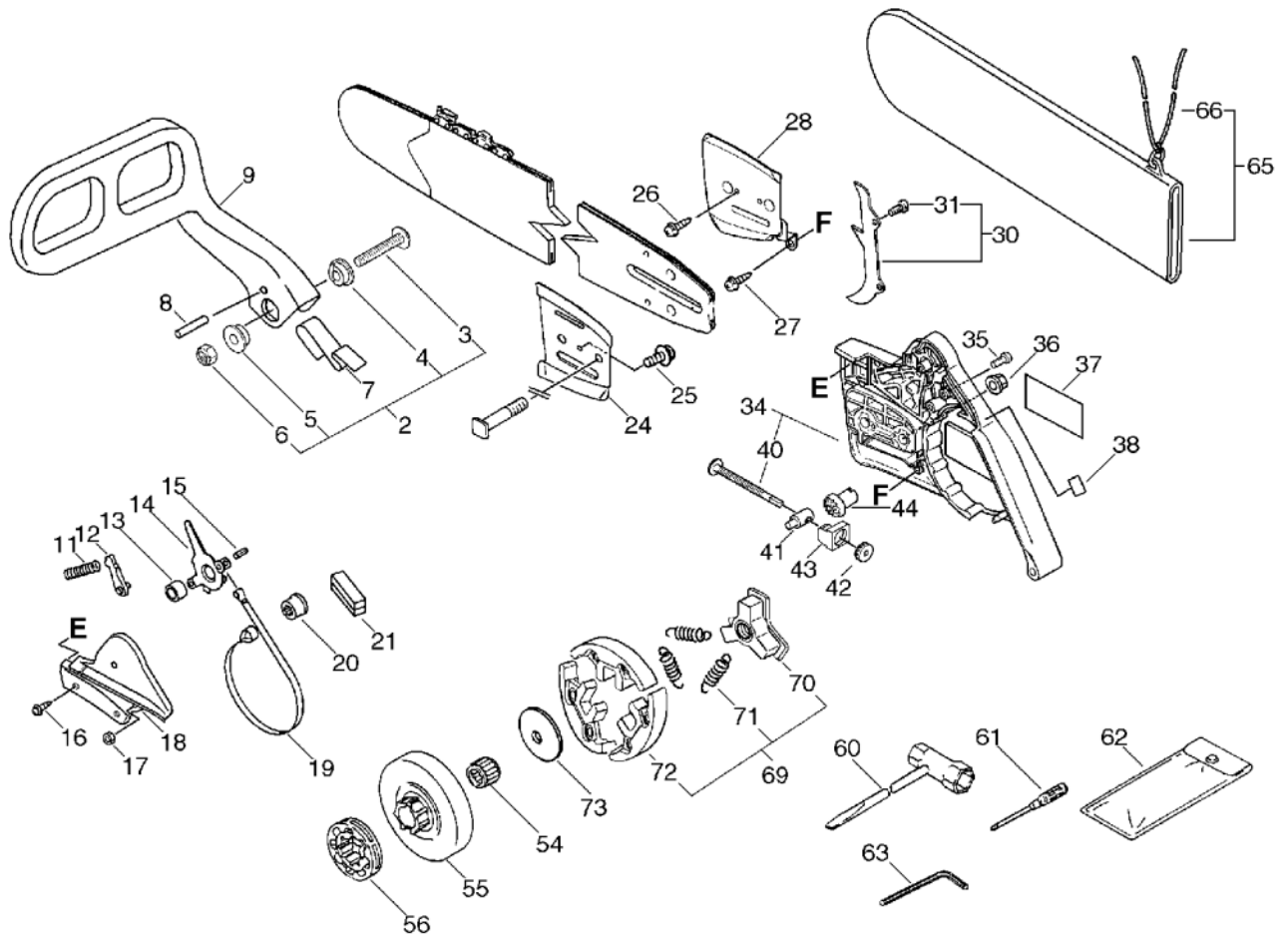
KEY	LV	PART NUMBER	Q'TY	DESCRIPTION	REMARKS	NOTE1	NOTE2
33	+	900246-03008	1	SCREW 3*8	3*8		
34	+	131051-19830	1	LINK	60L		
38		V450-000150	2	SPRING, COMPRESSION			
39		V150-000750	1	PLATE, EYE			
40		900162-04008	1	BOLT, H.S. 4*8	4*8 W, SW		
41		V203-000050	1	BOLT, 5			
42		900162-05014	2	BOLT, H.S. 5*14	5*14 W, SW		
45		V419-000010	1	BRACKET, CUSHION			
46		V353-000120	1	COLLAR, 5			
47		900630-00005	1	WASHER 5	5(ﾄ)5.5*16*1T		
48		900253-05035	1	SCREW 5*35	5*35		Sr/Nr 36011480 and after
49		900105-05008	1	BOLT, H.S. 5*8	5*8		
50		900162-05014	4	BOLT, H.S. 5*14	5*14 W, SW		
52		V649-000010	1	RIVET			
53		900238-05020	5	SCREW 5*20	5*20		
54		351616-38130	1	BRACKET, HANDLE			
55		V401-000050	1	CUSHION, 5			
56		C400-000100	1	HANDLE, FRONT			
60		890157-39130	1	LABEL, SWITCH			

10. Clutch, Sprocket, Tools(Sr/Nr 36008566 and before)



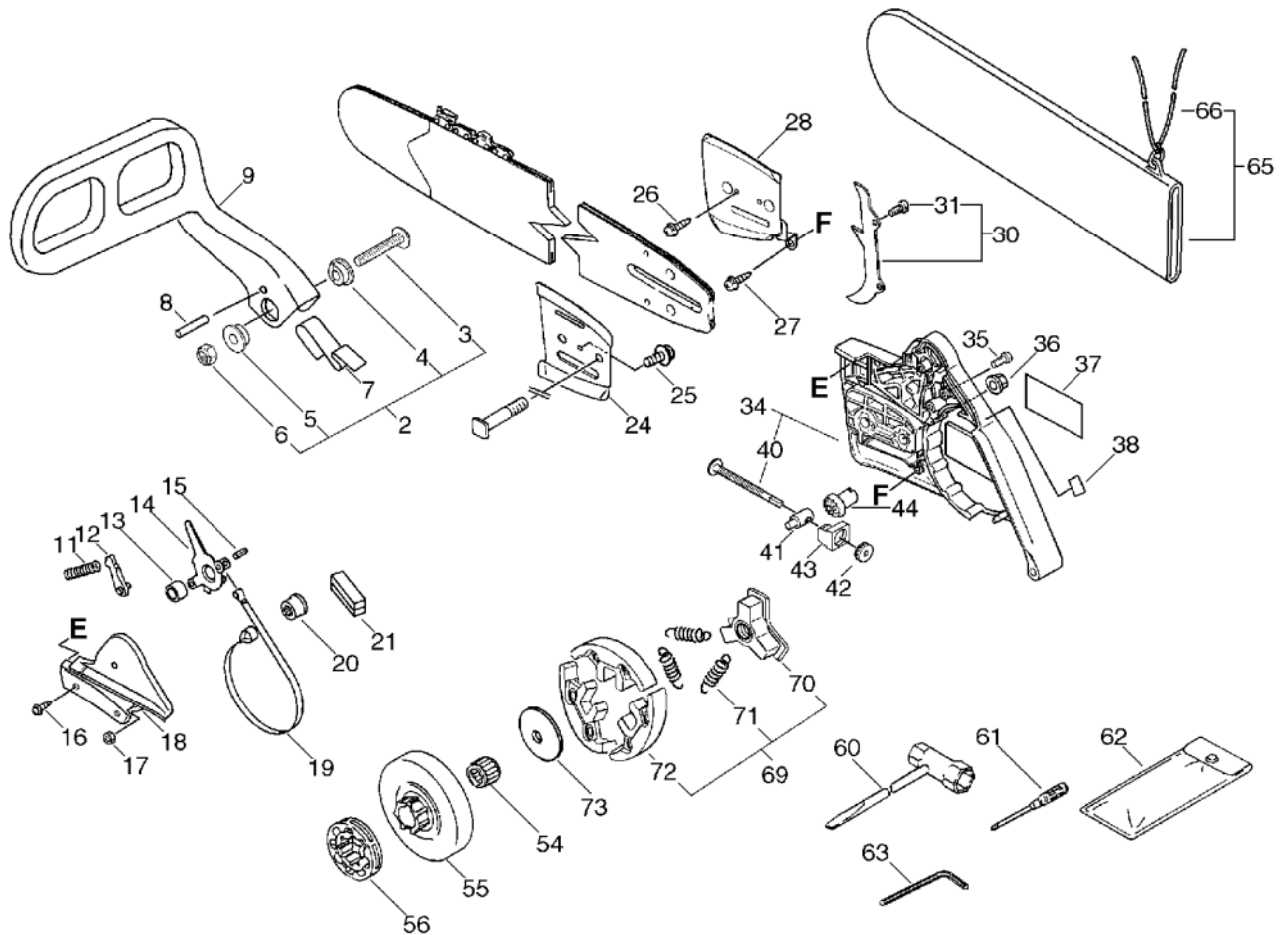
KEY	LV	PART NUMBER	Q'TY	DESCRIPTION	REMARKS	NOTE1	NOTE2
2		433113-37538	1	SCREW KIT		Sus. by 433113-37539	
2		433113-37539	1	SCREW KIT			
3	+	900209-05035	1	SCREW	5*35		
4	+	433167-39730	1	COLLAR 5			
5	+	433167-39130	1	SPACER			
6	+	900560-00005	1	NUT, LOCK 5	5	Sus. by 900562-50005	
6	+	900562-50005	1	LOCKNUT 5	5		
7		433114-38131	1	SPRING			
8		900330-35260	1	PIN 3.5*26	3.5*26		
9		433105-38130	1	LEVER, BRAKE		Sus. by 433105-38131	
9		433105-38131	1	LEVER, BRAKE			
11		433122-38130	1	SPRING, BRAKE			
12		433209-35430	1	STOPPER, BRAKE			
13		433116-35430	1	SPACER 8	8*12*9		
14		433208-35431	1	LEVER, BRAKE			
15		900330-40088	1	ROLLER 4*8.8	4*8.8		
16		900252-04012	2	SCREW 4*12	4*12		
17		900500-00003	1	NUT 3	3		
18		433310-38130	1	COVER, BRAKE			
19		433123-38130	1	BAND, BRAKE			
20		433142-35430	1	ADJUSTER, BRAKE			
21		433312-32630	1	COVER, SEAL			
24		433013-30830	1	PLATE, GUIDE (INNER)			

10. Clutch, Sprocket, Tools(Sr/Nr 36008566 and before)



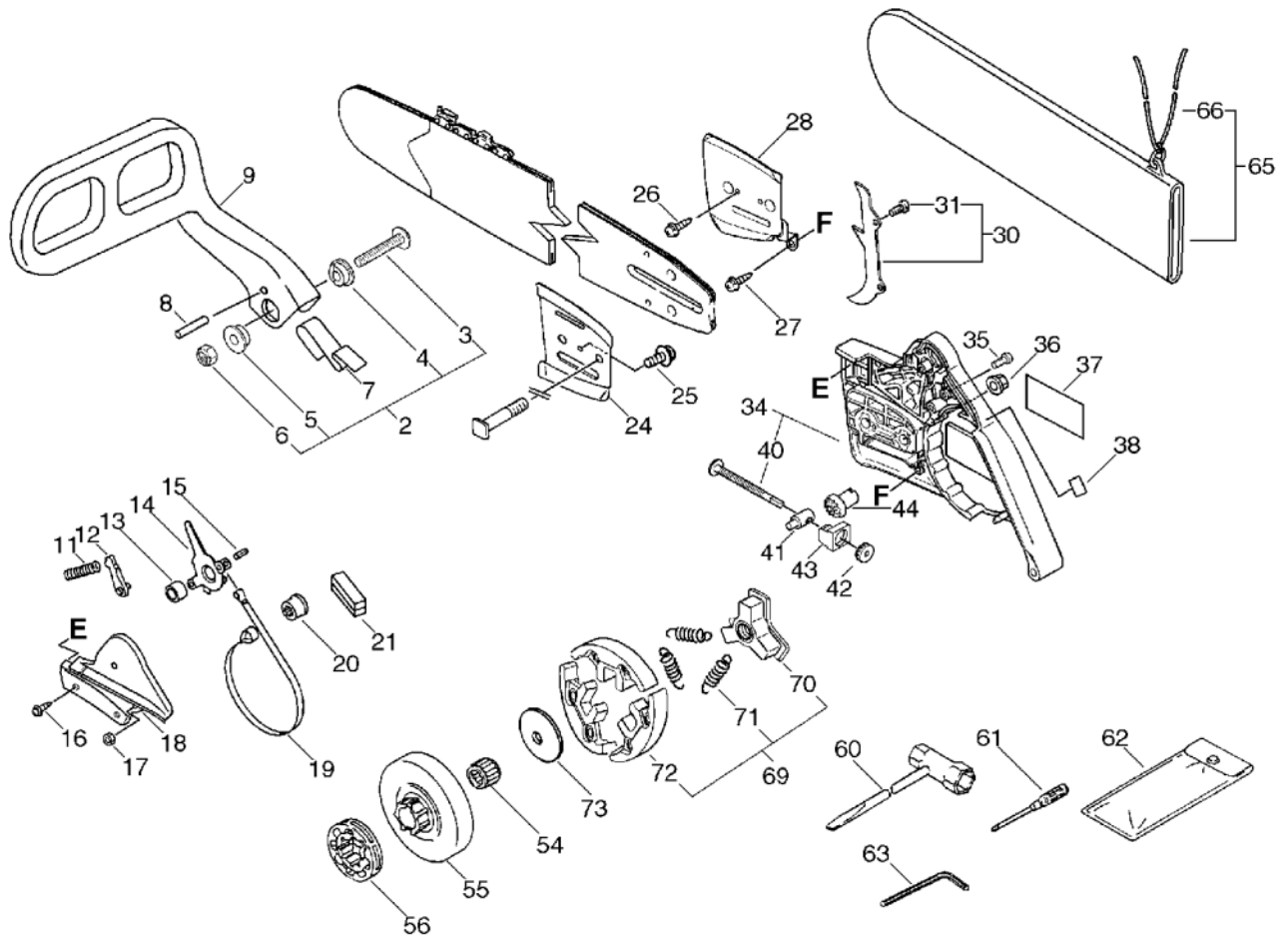
KEY	LV	PART NUMBER	Q'TY	DESCRIPTION	REMARKS	NOTE1	NOTE2
25		900241-04008	1	SCREW 4*8	4*8		
26		900241-03006	2	SCREW 3*6	3*6		
27		900253-04010	1	SCREW 4*10	4*10		
28		C305-000040	1	PLATE, SPROCKET GUARD			
30		P021-002880	1	BUMPER, SPIKED			
31	+	900105-05012	2	BOLT, H.S. 5*12	5*12		
34		P021-002281	1	SPROCKET GUARD		Sus. by P021-002282	
34		P021-002282	1	SPROCKET GUARD		Sr/Nr 36004180 and before	
34		P021-002283	1	SPROCKET GUARD		Sus. by P021-002284	
34		P021-002284	1	SPROCKET GUARD		Sus. by P021-002285	
40	+	V203-000110	1	BOLT, 5			
35		900220-03018	1	SCREW (+SR 3*18)	3*18		
36		433019-12330	2	NUT, FLANGE 8	M-8		
37		890118-38130	1	LABEL, ECHO		Sus. by 890118-15130	
38		890155-30130	1	LABEL, CAUTION			
40		V203-000040	1	BOLT, 5		Sus. by V203-000041	
40		V203-000041	1	BOLT, 5		Sr/Nr 36004180 and before	
41		C309-000030	1	TENSIONER, CHAIN			

10. Clutch, Sprocket, Tools(Sr/Nr 36008566 and before)



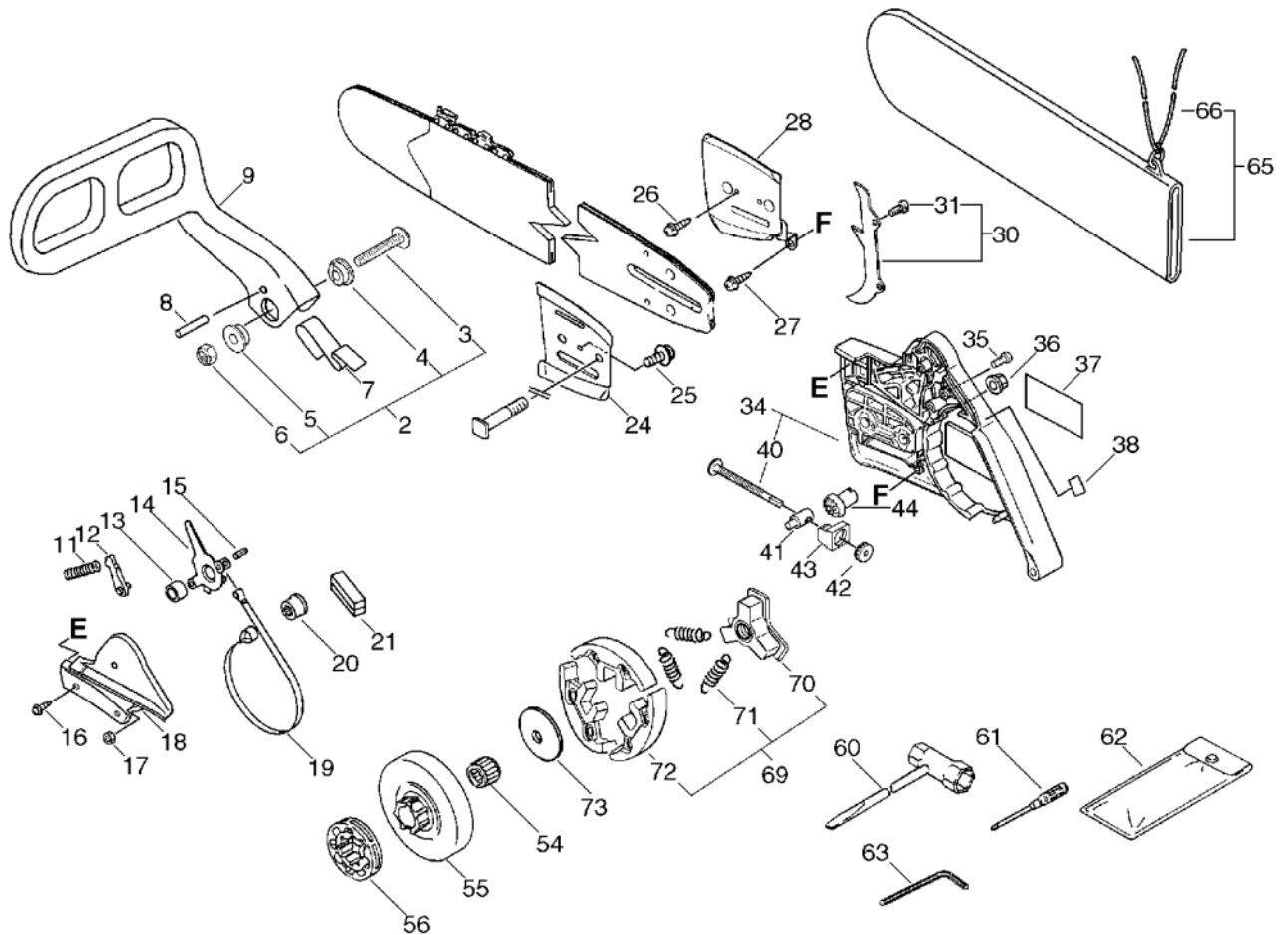
KEY	LV	PART NUMBER	Q'TY	DESCRIPTION	REMARKS	NOTE1	NOTE2
42		V651-000010	1	GEAR,BEVEL		Sus. by V651-000011	
42		V651-000011	1	GEAR,BEVEL			
43		V355-000030	1	COLLAR,8		Sus. by V355-000270	
43		V355-000270	1	COLLAR,8			
44		V651-000000	1	GEAR,BEVEL		Sus. by V651-000001	
44		V651-000001	1	GEAR,BEVEL			
47		A056-000040	1	CLUTCH		Sus. by A056-000041	
47		A056-000041	1	CLUTCH		Sr/Nr 35005074 and before	
48	+	A551-000030	3	PLATE,CLUTCH		Sr/Nr 35005074 and before	
49	+	A552-000030	1	HUB,CLUTCH		Sus. by A552-000031	
49	+	A552-000031	1	HUB,CLUTCH		Sr/Nr 35005074 and before	
50	+	V451-000260	1	SPRING,TENSION		Sr/Nr 35005074 and before	
51	+	P021-002890	1	SHOE,CLUTCH		Sr/Nr 35005074 and before	
52	+	900105-04006	6	BOLT, H.S. 4*6	4*6	Sr/Nr 35005074 and before	
54		175012-32430	1	BEARING, NEEDLE	12*18*12		

10. Clutch, Sprocket, Tools(Sr/Nr 36008566 and before)



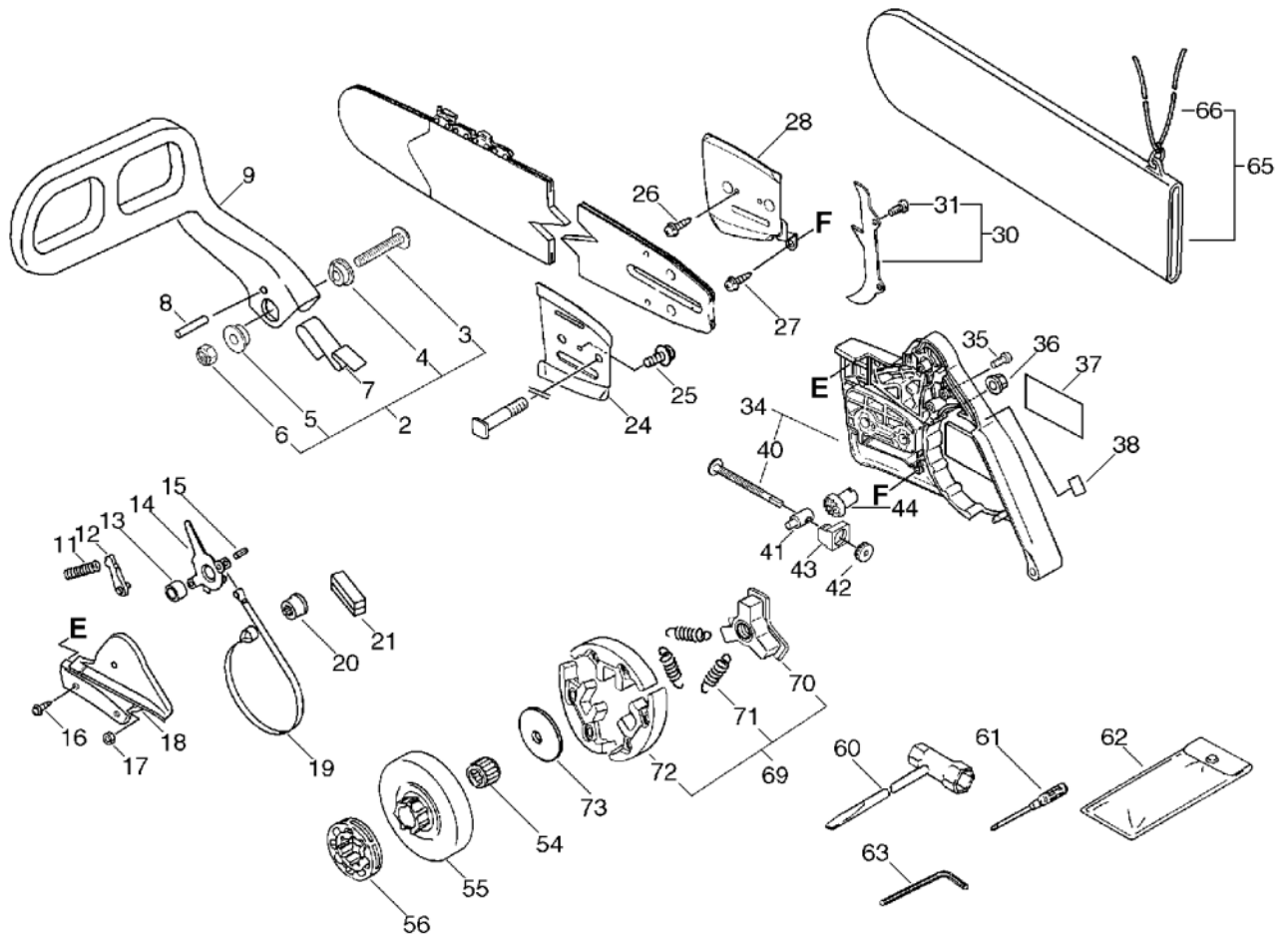
KEY	LV	PART NUMBER	Q'TY	DESCRIPTION	REMARKS	NOTE1	NOTE2
55		175105-32430	1	DRUM, CLUTCH		Sus. by 175105-32431	
56		175033-14731	1	SPROCKET, RIM 68210S			
60		895410-02830	1	WRENCH, W/S. DRIVER			
61		895812-03930	1	DRIVER, SCREW 50			
62		898510-39130	1	BAG, TOOL			
63		895610-00130	1	L-WRENCH (4MM)			
65		898548-14531	1	SCABBARD, CHAIN			
66	+	898568-14530	1	ROPE	5*900		
69		A056-000050	1	CLUTCH		Sr/Nr 35005075 and after	
70	+	A552-000040	1	HUB,CLUTCH		Sr/Nr 35005075 and after	
71	+	V451-000430	3	SPRING,TENSION		Sr/Nr 35005075 and after	
72	+	P021-007790	1	SHOE,CLUTCH		Sr/Nr 35005075 and after	
73		A551-000051	1	PLATE,CLUTCH		Sr/Nr 35005075 and after	

11. Clutch, Sprocket, Tools(Sr/Nr 36008567 and after)



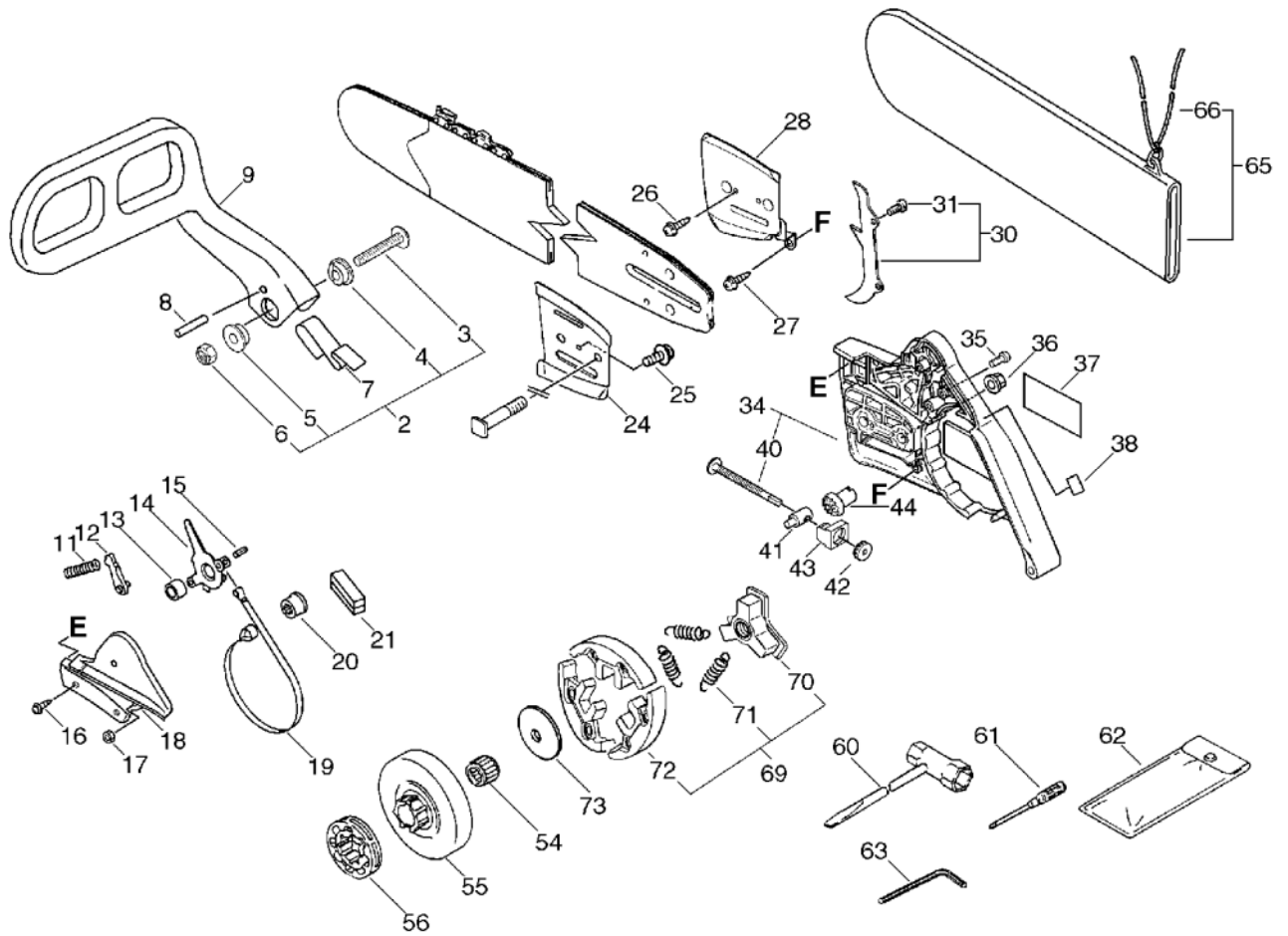
KEY	LV	PART NUMBER	Q'TY	DESCRIPTION	REMARKS	NOTE1	NOTE2
2		433113-37539	1	SCREW KIT			
3	+	900209-05035	1	SCREW	5*35		
4	+	433167-39730	1	COLLAR 5			
5	+	433167-39130	1	SPACER			
6	+	900562-50005	1	LOCKNUT 5	5		
7		433114-38131	1	SPRING			
8		900330-35260	1	PIN 3.5*26	3.5*26		
9		433105-38131	1	LEVER, BRAKE			
11		433122-38130	1	SPRING, BRAKE			
12		433209-35430	1	STOPPER, BRAKE			
13		433116-35430	1	SPACER 8	8*12*9		
14		433208-35431	1	LEVER, BRAKE			
15		900330-40088	1	ROLLER 4*8.8	4*8.8		
16		900252-04012	2	SCREW 4*12	4*12		
17		900500-00003	1	NUT 3	3		
18		433310-38130	1	COVER, BRAKE			
19		433123-38131	1	BAND, BRAKE			
20		433142-35430	1	ADJUSTER, BRAKE			
21		433312-32630	1	COVER, SEAL			
24		433013-30830	1	PLATE, GUIDE (INNER)			
25		900241-04008	1	SCREW 4*8	4*8		
26		900241-03006	2	SCREW 3*6	3*6		
27		900253-04010	1	SCREW 4*10	4*10		
28		C305-000040	1	PLATE, SPROCKET GUARD			
30		P021-002880	1	BUMPER, SPIKED			
31	+	900105-05012	2	BOLT, H.S. 5*12	5*12		

11. Clutch, Sprocket, Tools(Sr/Nr 36008567 and after)



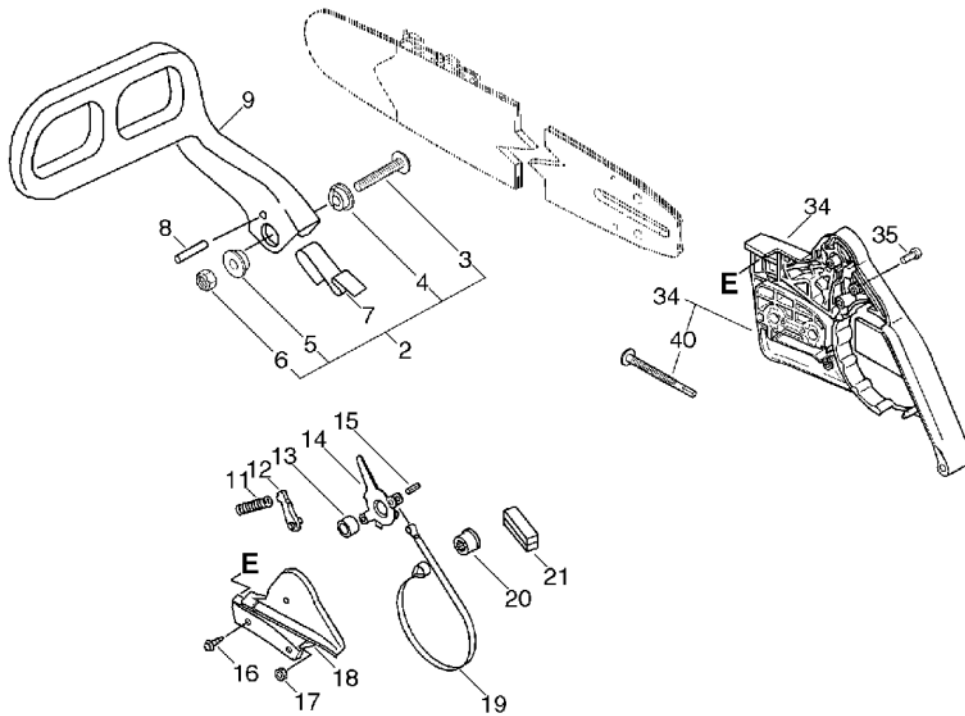
KEY	LV	PART NUMBER	Q'TY	DESCRIPTION	REMARKS	NOTE1	NOTE2
34		P021-002284	1	SPROCKET GUARD		Sus. by P021-002285	
34		P021-002285	1	SPROCKET GUARD			
40		V203-000110	1	BOLT,5			
35		900220-03018	1	SCREW (+SR 3*18)	3*18		
36		433019-12330	2	NUT, FLANGE 8	M-8		
37		890118-15130	1	LABEL, ECHO		Sus. by X502-000560	
37		X502-000560	1	LABEL, ECHO			
38		890155-30130	1	LABEL, CAUTION			
41		C309-000030	1	TENSIONER, CHAIN			
42		V651-000011	1	GEAR, BEVEL			
43		V355-000270	1	COLLAR, 8			
44		V651-000001	1	GEAR, BEVEL			
54		175012-32430	1	BEARING, NEEDLE	12*18*12		
55		175105-32430	1	DRUM, CLUTCH		Sus. by 175105-32431	
55		175105-32431	1	DRUM, CLUTCH			
56		175033-14731	1	SPROCKET, RIM 68210S			
60		895410-02830	1	WRENCH, W/S. DRIVER			
61		895812-03930	1	DRIVER, SCREW 50			
62		898510-39130	1	BAG, TOOL			
63		895610-00130	1	L-WRENCH (4MM)			
65		898548-14531	1	SCABBARD, CHAIN			
66	+	898568-14530	1	ROPE	5*900		
69		A056-000050	1	CLUTCH			

11. Clutch, Sprocket, Tools(Sr/Nr 36008567 and after)



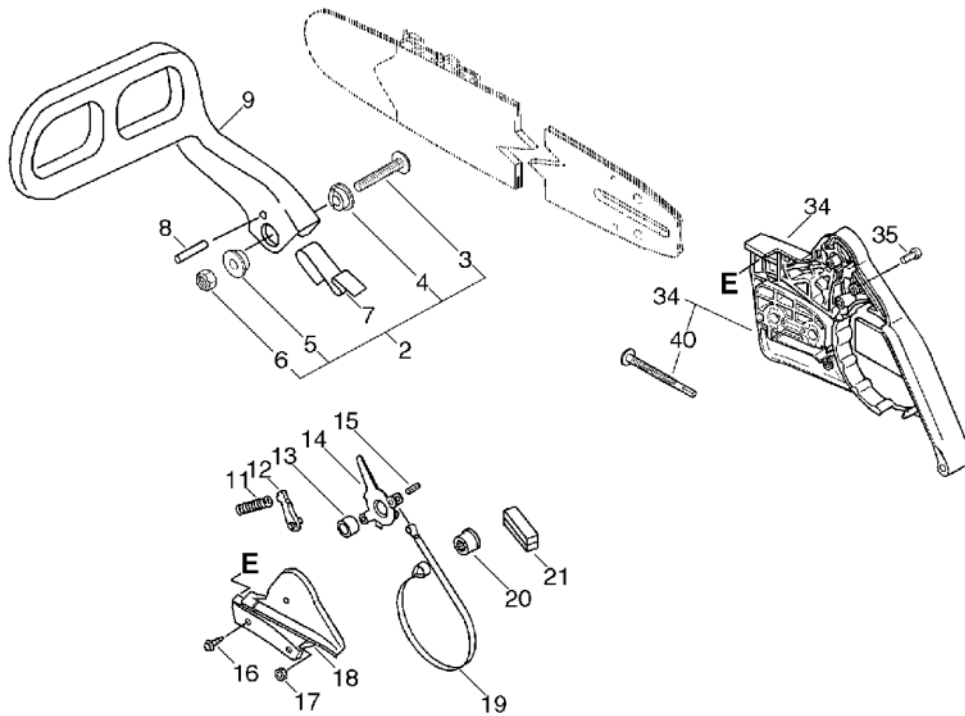
KEY	LV	PART NUMBER	Q'TY	DESCRIPTION	REMARKS	NOTE1	NOTE2
70	+	A552-000040	1	HUB,CLUTCH			
71	+	V451-000430	3	SPRING,TENSION			
72	+	P021-007790	1	SHOE,CLUTCH			
73		A551-000051	1	PLATE,CLUTCH			

12. Chain Brake Asy(Sr/Nr 36008566 and before)



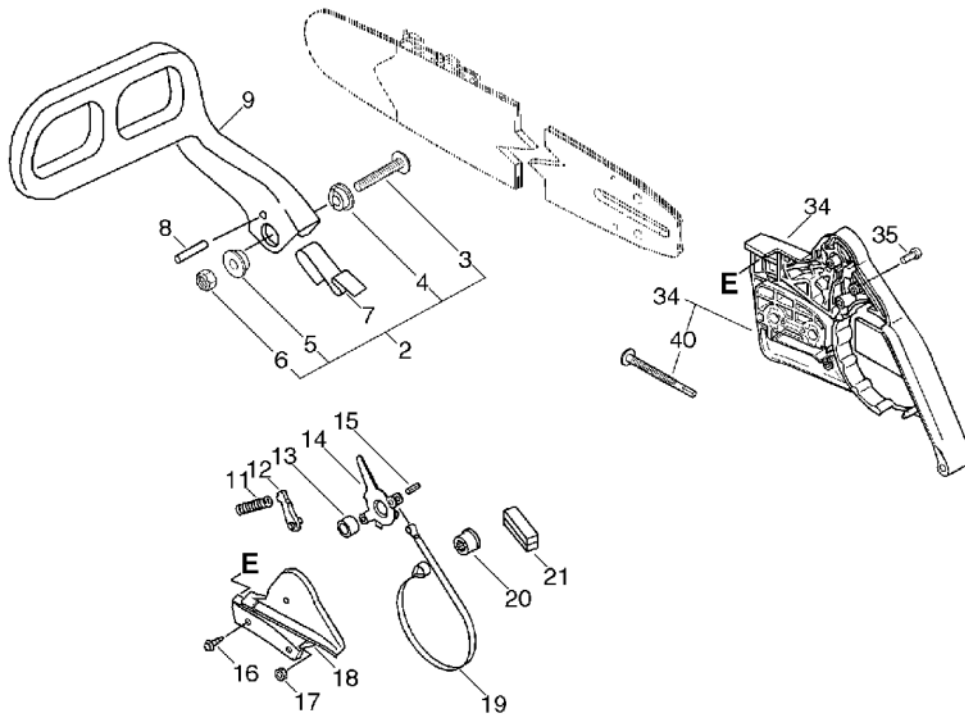
KEY	LV	PART NUMBER	Q'TY	DESCRIPTION	REMARKS	NOTE1	NOTE2
		433200-38133	1	BRAKE ASY, CHAIN		Sus. by 433200-38137	
		433200-38134	1	BRAKE ASY, CHAIN		Sus. by 433200-38137	
		433200-38135	1	BRAKE ASY, CHAIN		Sus. by 433200-38137	
		433200-38136	1	BRAKE ASY, CHAIN		Sus. by 433200-38137	
		433200-38137	1	BRAKE ASY, CHAIN		Sr/Nr 36004180 and before	
		433200-38138	1	BRAKE ASY, CHAIN		Sus. by P021-010640	
		P021-010640	1	BRAKE,ASM CHAIN		Sus. by P021-010641	
2	+	433113-37538	1	SCREW KIT		Sus. by 433113-37539	
2	+	433113-37539	1	SCREW KIT			
3	++	900209-05035	1	SCREW	5*35		
4	++	433167-39730	1	COLLAR 5			
5	++	433167-39130	1	SPACER			
6	++	900560-00005	1	NUT, LOCK 5	5	Sus. by 900562-50005	
6	++	900562-50005	1	LOCKNUT 5	5		
7	+	433114-38131	1	SPRING			
8	+	900330-35260	1	PIN 3.5*26	3.5*26		

12. Chain Brake Asy(Sr/Nr 36008566 and before)



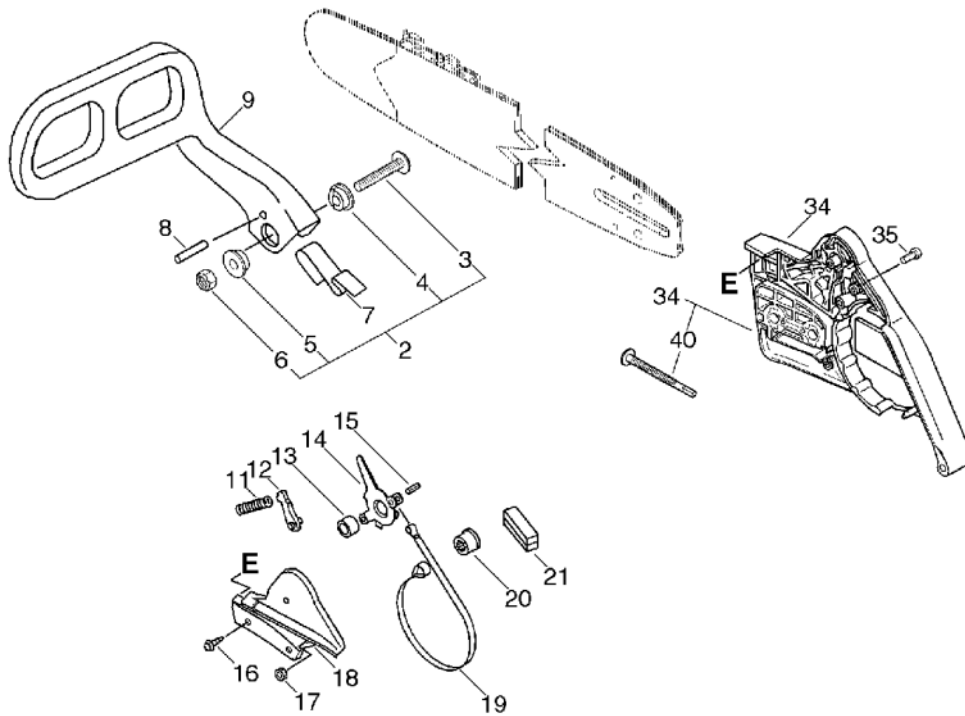
KEY	LV	PART NUMBER	Q'TY	DESCRIPTION	REMARKS	NOTE1	NOTE2
9	+	433105-38130	1	LEVER, BRAKE		Sus. by 433105-38131	
9	+	433105-38131	1	LEVER, BRAKE			
11	+	433122-38130	1	SPRING, BRAKE			
12	+	433209-35430	1	STOPPER, BRAKE			
13	+	433116-35430	1	SPACER 8	8*12*9		
14	+	433208-35431	1	LEVER, BRAKE			
15	+	900330-40088	1	ROLLER 4*8.8	4*8.8		
16	+	900252-04012	2	SCREW 4*12	4*12		
17	+	900500-00003	1	NUT 3	3		
18	+	433310-38130	1	COVER, BRAKE			
19	+	433123-38130	1	BAND, BRAKE		Sus. by 433123-38131	
19	+	433123-38131	1	BAND, BRAKE			
20	+	433142-35430	1	ADJUSTER, BRAKE			
21	+	433312-32630	1	COVER, SEAL			
34	+	P021-002281	1	SPROCKET GUARD		Sus. by P021-002282	
34	+	P021-002282	1	SPROCKET GUARD		Sr/Nr 36004180 and before	
34	+	P021-002283	1	SPROCKET GUARD		Sus. by P021-002284	
34	+	P021-002284	1	SPROCKET GUARD		Sus. by P021-002285	
40	++	V203-000110	1	BOLT,5			
35	+	900220-03018	1	SCREW (+SR 3*18)	3*18		

13. Chain Brake Asy(Sr/Nr 36008567 and after)



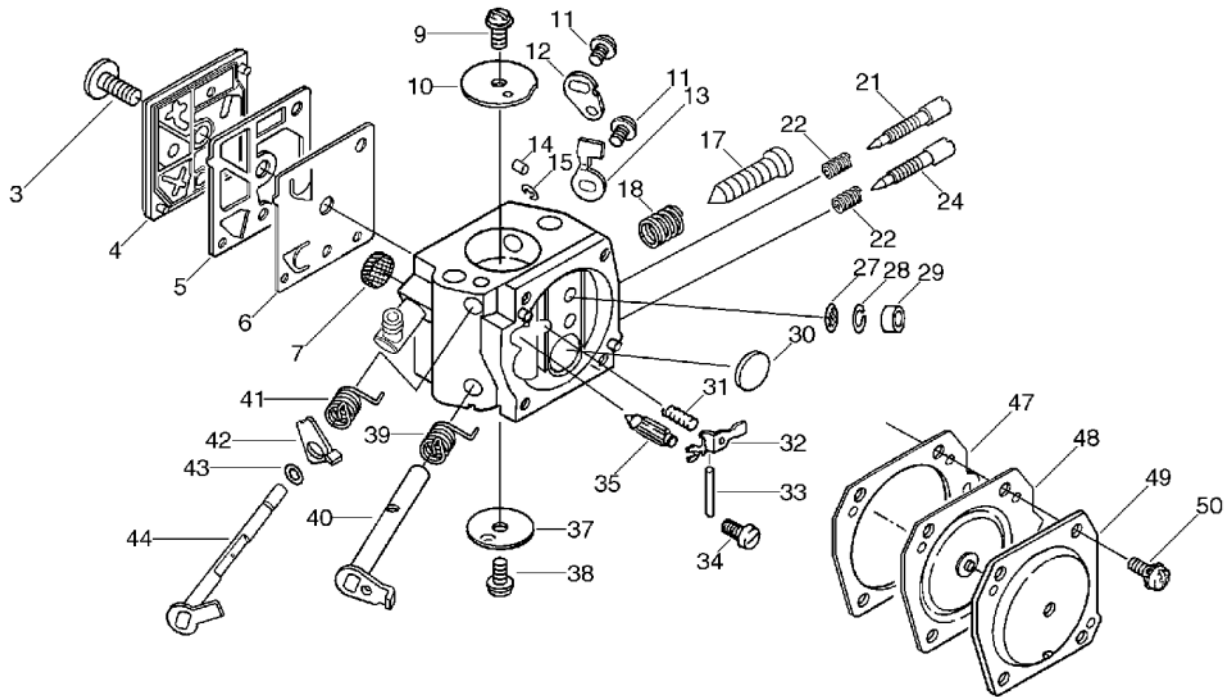
KEY	LV	PART NUMBER	Q'TY	DESCRIPTION	REMARKS	NOTE1	NOTE2
		P021-010640	1	BRAKE,ASM CHAIN		Sus. by P021-010641	
		P021-010641	1	BRAKE,ASM CHAIN		Sus. by P021-010642	
2	+	433113-37539	1	SCREW KIT			
3	++	900209-05035	1	SCREW	5*35		
4	++	433167-39730	1	COLLAR 5			
5	++	433167-39130	1	SPACER			
6	++	900562-50005	1	LOCKNUT 5	5		
7	+	433114-38131	1	SPRING			
8	+	900330-35260	1	PIN 3.5*26	3.5*26		
9	+	433105-38131	1	LEVER, BRAKE			
11	+	433122-38130	1	SPRING, BRAKE			
12	+	433209-35430	1	STOPPER, BRAKE			
13	+	433116-35430	1	SPACER 8	8*12*9		
14	+	433208-35431	1	LEVER, BRAKE			
15	+	900330-40088	1	ROLLER 4*8.8	4*8.8		
16	+	900252-04012	2	SCREW 4*12	4*12		
17	+	900500-00003	1	NUT 3	3		
18	+	433310-38130	1	COVER, BRAKE			
19	+	433123-38131	1	BAND, BRAKE			
20	+	433142-35430	1	ADJUSTER, BRAKE			
21	+	433312-32630	1	COVER, SEAL			
34	+	P021-002284	1	SPROCKET GUARD		Sus. by P021-002285	
34	+	P021-002285	1	SPROCKET GUARD			

13. Chain Brake Assy(Sr/Nr 36008567 and after)



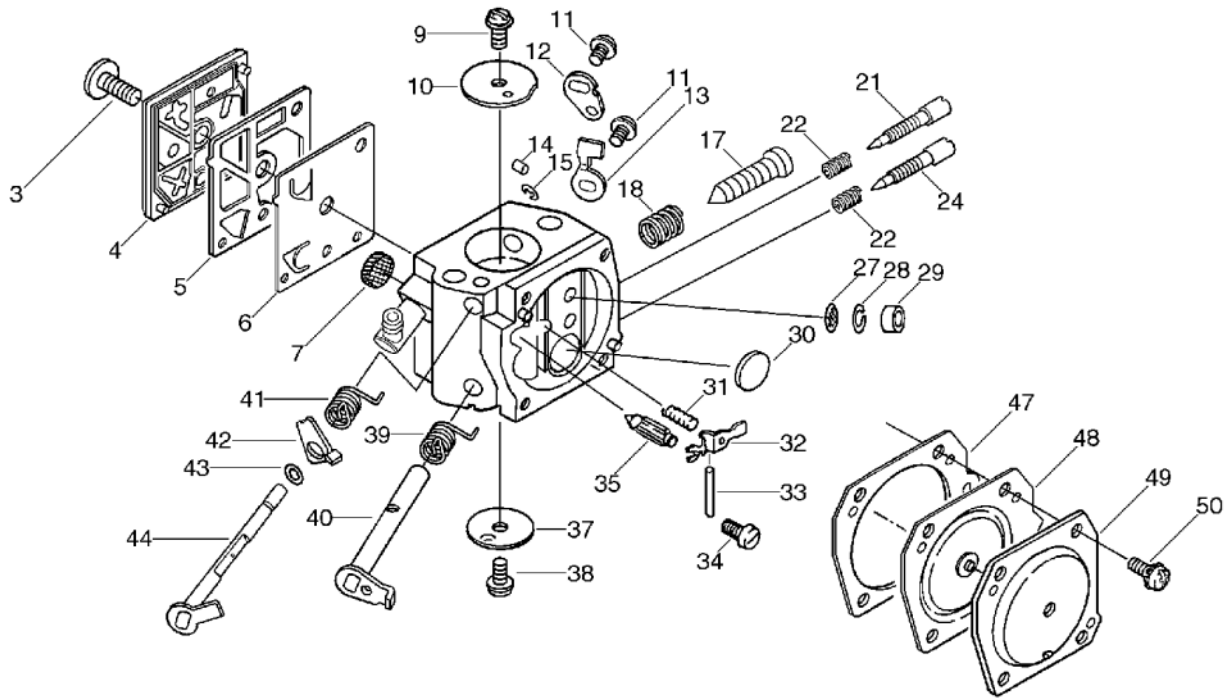
KEY	LV	PART NUMBER	Q'TY	DESCRIPTION	REMARKS	NOTE1	NOTE2
40	++	V203-000110	1	BOLT,5			
35	+	900220-03018	1	SCREW (+SR 3*18)	3*18		

14. Carburetor(Sr/Nr 35999999 and before)



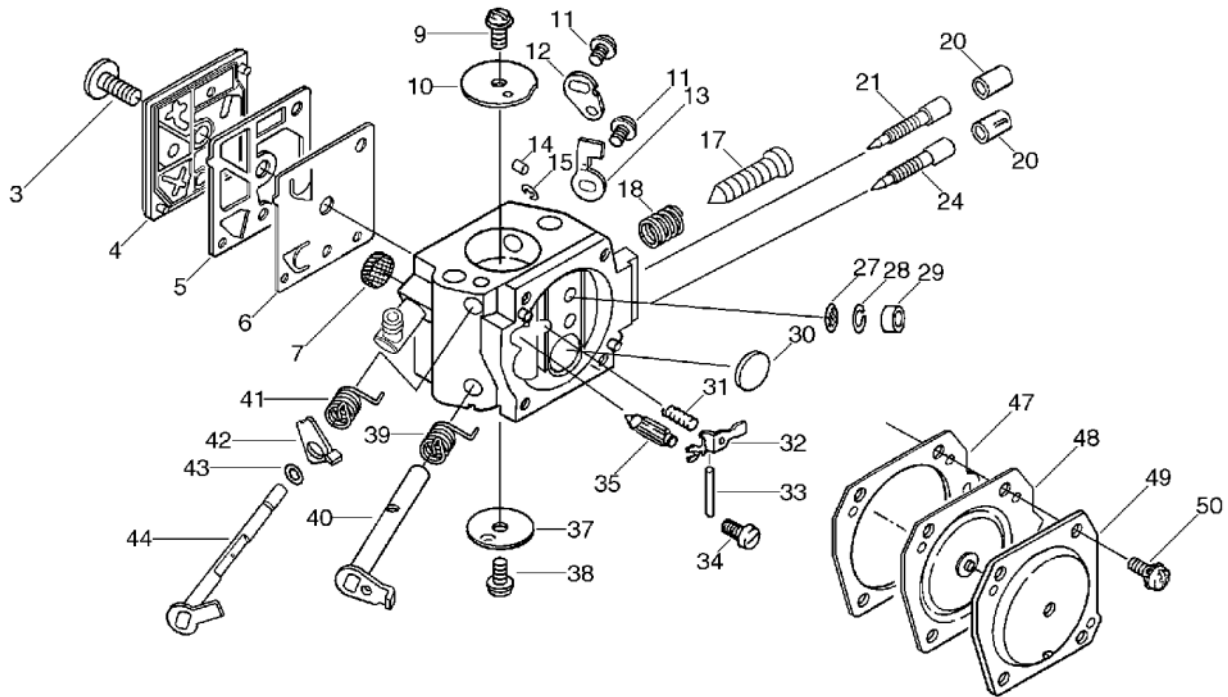
KEY	LV	PART NUMBER	Q'TY	DESCRIPTION	REMARKS	NOTE1	NOTE2
		A021-000250	1	CARBURETOR,DIAPHRAGM	HDA-202		
3	+	123110-16130	1	SCREW, PUMP COVER			
4	+	123124-19830	1	COVER, FUEL PUMP			
5	+	123125-12330	1	GASKET, FUEL PUMP			
6	+	123112-12330	1	DIAPHRAGM, FUEL PUMP			
7	+	123126-10631	1	SCREEN, INLET			
9	+	123114-38830	1	SCREW			
10	+	123132-32430	1	VALVE, CHOKE			
11	+	123114-03930	2	SCREW		Sus. by 123114-38830	
11	+	123114-38830	2	SCREW			
12	+	P003-000590	1	LEVER, CHOKE			
13	+	123156-12330	1	STOP, THROTTLE			
14	+	123178-15030	1	PLUG, FRICTION			
15	+	123127-15030	1	RING			
17	+	123134-19730	1	SCREW, IDLE ADJUST			
18	+	P003-000540	1	SPRING, IDLE ADJUST			
21	+	P003-000580	1	NEEDLE, HIGH SPEED			
22	+	123121-16130	2	SPRING, NEEDLE			
24	+	P003-000570	1	NEEDLE, IDLE			
27	+	123168-10631	1	SCREEN			
28	+	123169-10630	1	RING, RETAINING			
29	+	123146-17330	1	PLUG, CUP			
30	+	123146-10631	1	PLUG, WELCH			
31	+	123122-32630	1	SPRING, METER. LEVER			
32	+	123123-18330	1	LEVER, METERING			

14. Carburetor(Sr/Nr 35999999 and before)



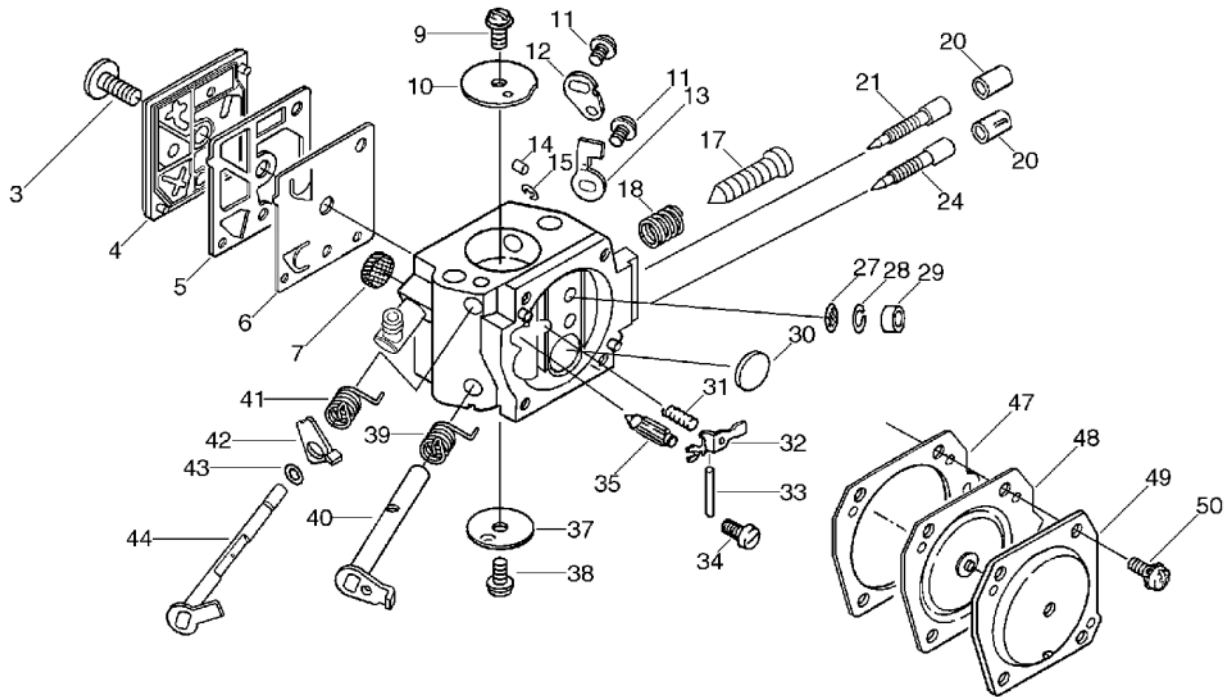
KEY	LV	PART NUMBER	Q'TY	DESCRIPTION	REMARKS	NOTE1	NOTE2
33	+	123138-03930	1	PIN, METERING LEVER			
34	+	123139-03930	1	SCREW, M. LEVER PIN			
35	+	123137-19830	1	VALVE, INLET NEEDLE			
37	+	123132-16130	1	VALVE, CHOKE			
38	+	123114-05260	1	SCREW			
39	+	P003-000560	1	SPRING, THRT. RETURN			
40	+	P003-000550	1	SHAFT, THROTTLE			
41	+	P003-000610	1	SPRING			
42	+	P003-000620	1	LEVER-FAST IDLE			
43	+	123149-26030	1	WASHER			
44	+	P003-000600	1	SHAFT, CHOKE			
47	+	123140-18331	1	GASKET, M. DIAPHRAGM			
48	+	123141-16131	1	DIAPHRAGM, METERING			
49	+	123142-17330	1	COVER, M. DIAPHRAGM			
50	+	123130-02960	4	SCREW			

15. Carburetor(Sr/Nr 36001001 and before)



KEY	LV	PART NUMBER	Q'TY	DESCRIPTION	REMARKS	NOTE1	NOTE2
		A021-000290	1	CARBURETOR,DIAPHRAGM	HDA-203		
3	+	123110-16130	1	SCREW, PUMP COVER			
4	+	123124-19830	1	COVER, FUEL PUMP			
5	+	123125-12330	1	GASKET, FUEL PUMP			
6	+	123112-12330	1	DIAPHRAGM, FUEL PUMP			
7	+	123126-10631	1	SCREEN, INLET			
9	+	123114-38830	1	SCREW			
10	+	123132-32430	1	VALVE, CHOKE			
11	+	123114-38830	2	SCREW			
12	+	P003-000590	1	LEVER, CHOKE			
13	+	123156-30830	1	STOP, THROTTLE			
14	+	123178-15030	1	PLUG, FRICTION			
15	+	123127-15030	1	RING			
17	+	123134-19730	1	SCREW, IDLE ADJUST			
18	+	P003-000540	1	SPRING, IDLE ADJUST			
20	+	P003-000010	2	LIMITER CAP			
21	+	123120-32631	1	NEEDLE, HIGH SPEED			
24	+	123118-02261	1	NEEDLE			
27	+	123168-10631	1	SCREEN			
28	+	123169-10630	1	RING, RETAINING			
29	+	123146-17330	1	PLUG, CUP			
30	+	123146-10631	1	PLUG, WELCH			
31	+	123122-32630	1	SPRING, METER. LEVER			
32	+	123123-18330	1	LEVER, METERING			
33	+	123138-03930	1	PIN, METERING LEVER			
34	+	123139-03930	1	SCREW, M. LEVER PIN			

15. Carburetor(Sr/Nr 36001001 and before)



KEY	LV	PART NUMBER	Q'TY	DESCRIPTION	REMARKS	NOTE1	NOTE2
35	+	123137-19830	1	VALVE, INLET NEEDLE			
37	+	123132-16130	1	VALVE, CHOKE			
38	+	123114-05260	1	SCREW			
39	+	P003-000560	1	SPRING, THRT. RETURN			
40	+	P003-000550	1	SHAFT, THROTTLE			
41	+	P003-000610	1	SPRING			
42	+	P003-000620	1	LEVER-FAST IDLE			
43	+	123149-26030	1	WASHER			
44	+	P003-000600	1	SHAFT, CHOKE			
47	+	123140-18331	1	GASKET, M. DIAPHRAGM			
48	+	123141-16131	1	DIAPHRAGM, METERING			
49	+	123142-17330	1	COVER, M. DIAPHRAGM			
50	+	123130-02960	4	SCREW			

Index

Patrs Number	Key No.	Patrs Number	Key No.	Patrs Number	Key No.
100011-32430	1 - 11	123132-16130	15 - 37	131205-19830	7 - 9
100011-32431	1 - 11	123132-32430	14 - 10	131205-19830	8 - 9
100012-32430	1 - 14	123132-32430	15 - 10	131205-19830	9 - 9
100142-30830	1 - 33	123134-19730	14 - 17	131300-56430	7 - 80
100143-19830	4 - 7	123134-19730	15 - 17	131300-56430	8 - 80
100143-19830	5 - 7	123137-19830	14 - 35	131300-56430	9 - 80
100204-32433	1 - 20	123137-19830	15 - 35	131312-32430	7 - 83
100204-32434	1 - 20	123138-03930	14 - 33	131312-32430	8 - 83
100204-32435	1 - 20	123138-03930	15 - 33	131312-32430	9 - 83
100212-19830	1 - 27	123139-03930	14 - 34	131328-40630	7 - 81
100212-32430	1 - 21	123139-03930	15 - 34	131328-40630	8 - 81
100215-02830	1 - 23	123140-18331	14 - 47	131328-40630	9 - 81
100242-32430	1 - 25	123140-18331	15 - 47	132010-30830	7 - 8
100918-19830	7 - 12	123141-16131	14 - 48	132010-30830	8 - 8
100918-19830	8 - 12	123141-16131	15 - 48	132010-30830	9 - 8
100918-19830	9 - 12	123142-17330	14 - 49	132010-56030	7 - 5
101010-32431	1 - 7	123142-17330	15 - 49	132010-56030	8 - 5
101521-32330	4 - 6	123146-10631	14 - 30	132010-56030	9 - 5
101521-32330	5 - 6	123146-10631	15 - 30	132011-19830	7 - 6
101578-37531	1 - 50	123146-17330	14 - 29	132011-19830	8 - 6
123110-16130	14 - 3	123146-17330	15 - 29	132011-19831	8 - 6
123110-16130	15 - 3	123149-26030	14 - 43	132011-19831	9 - 6
123112-12330	14 - 6	123149-26030	15 - 43	132012-19830	7 - 5
123112-12330	15 - 6	123156-12330	14 - 13	132013-26630	6 - 8
123114-03930	14 - 11	123156-30830	15 - 13	132013-26630	7 - 4
123114-05260	14 - 38	123168-10631	14 - 27	132013-26630	7 - 10
123114-05260	15 - 38	123168-10631	15 - 27	132013-26630	8 - 4
123114-38830	14 - 9	123169-10630	14 - 28	132013-26630	9 - 4
123114-38830	14 - 11	123169-10630	15 - 28	132115-01461	7 - 7
123114-38830	15 - 9	123178-15030	14 - 14	132115-01461	8 - 7
123114-38830	15 - 11	123178-15030	15 - 14	132115-01461	9 - 7
123118-02261	15 - 24	130110-19830	2 - 18	132115-12330	6 - 9
123120-32631	15 - 21	130110-19830	3 - 18	145510-32431	2 - 45
123121-16130	14 - 22	130111-00530	7 - 82	145510-32431	3 - 45
123122-32630	14 - 31	130111-00530	8 - 82	145610-32430	2 - 46
123122-32630	15 - 31	130111-00530	9 - 82	145610-32430	3 - 46
123123-18330	14 - 32	130338-32430	2 - 7	145711-32430	2 - 49
123123-18330	15 - 32	130338-32430	3 - 7	145711-32430	3 - 49
123124-19830	14 - 4	131004-37631	7 - 30	145813-31730	2 - 50
123124-19830	15 - 4	131004-37631	8 - 30	145813-31730	3 - 50
123125-12330	14 - 5	131004-37631	9 - 30	145861-32430	2 - 54
123125-12330	15 - 5	131050-19830	1 - 44	145861-32430	3 - 54
123126-10631	14 - 7	131050-19830	7 - 32	150611-32430	4 - 37
123126-10631	15 - 7	131050-19830	8 - 32	150611-32430	5 - 37
123127-15030	14 - 15	131050-19830	9 - 32	156601-32631	4 - 38
123127-15030	15 - 15	131051-19830	1 - 46	156601-32631	5 - 38
123130-02960	14 - 50	131051-19830	7 - 34	156635-32430	2 - 32
123130-02960	15 - 50	131051-19830	8 - 34	156635-32430	3 - 32
123132-16130	14 - 37	131051-19830	9 - 34	156800-32631	4 - 5

Index

Patrs Number	Key No.	Patrs Number	Key No.	Patrs Number	Key No.
156800-32631	5 - 5	351103-32433	9 - 26	433144-15130	4 - 29
159010-10230	4 - 34	351111-19830	7 - 25	433144-15130	5 - 29
159010-10230	5 - 34	351111-19830	8 - 25	433167-39130	10 - 5
162021-32430	2 - 33	351111-19830	9 - 25	433167-39130	11 - 5
162021-32430	3 - 33	351155-35430	7 - 10	433167-39130	12 - 5
163400-32430	2 - 29	351155-35430	8 - 10	433167-39130	13 - 5
163400-32430	3 - 29	351155-35430	9 - 10	433167-39730	10 - 4
175012-32430	10 - 54	351616-38130	7 - 54	433167-39730	11 - 4
175012-32430	11 - 54	351616-38130	8 - 54	433167-39730	12 - 4
175033-14731	10 - 56	351616-38130	9 - 54	433167-39730	13 - 4
175033-14731	11 - 56	433000-19831	1 - 17	433200-38133	12 -
175105-32430	10 - 55	433011-19830	1 - 24	433200-38134	12 -
175105-32430	11 - 55	433013-30830	10 - 24	433200-38135	12 -
175105-32431	11 - 55	433013-30830	11 - 24	433200-38136	12 -
177215-32330	4 - 23	433019-12330	10 - 36	433200-38137	12 -
177215-32330	5 - 23	433019-12330	11 - 36	433200-38138	12 -
177218-32630	4 - 12	433105-38130	10 - 9	433208-35431	10 - 14
177218-32631	4 - 12	433105-38130	12 - 9	433208-35431	11 - 14
177218-32631	5 - 12	433105-38131	10 - 9	433208-35431	12 - 14
177220-02834	4 - 30	433105-38131	11 - 9	433208-35431	13 - 14
177220-02834	5 - 30	433105-38131	12 - 9	433209-35430	10 - 12
177221-02830	4 - 31	433105-38131	13 - 9	433209-35430	11 - 12
177221-02830	5 - 31	433113-37538	10 - 2	433209-35430	12 - 12
177221-07060	4 - 25	433113-37538	12 - 2	433209-35430	13 - 12
177221-07060	5 - 25	433113-37539	10 - 2	433310-38130	10 - 18
177226-07060	4 - 24	433113-37539	11 - 2	433310-38130	11 - 18
177226-07060	5 - 24	433113-37539	12 - 2	433310-38130	12 - 18
177227-07060	4 - 27	433113-37539	13 - 2	433310-38130	13 - 18
177227-07060	5 - 27	433114-38131	10 - 7	433312-32630	10 - 21
177228-30830	4 - 26	433114-38131	11 - 7	433312-32630	11 - 21
177228-30830	5 - 26	433114-38131	12 - 7	433312-32630	12 - 21
177234-19830	4 - 9	433114-38131	13 - 7	433312-32630	13 - 21
177234-19831	4 - 9	433116-35430	10 - 13	436001-37933	1 - 42
177234-19832	4 - 9	433116-35430	11 - 13	436114-13930	1 - 28
177234-19832	5 - 9	433116-35430	12 - 13	436205-14730	6 - 11
177247-19830	4 - 10	433116-35430	13 - 13	437002-37530	6 - 45
178043-19830	7 - 22	433122-38130	10 - 11	437006-32330	6 - 51
178043-19830	8 - 22	433122-38130	11 - 11	437009-35430	6 - 47
178043-19830	9 - 22	433122-38130	12 - 11	437012-00330	6 - 23
178090-37930	7 - 20	433122-38130	13 - 11	437013-00330	6 - 24
178090-37930	8 - 20	433123-38130	10 - 19	437015-19830	6 - 13
178090-37930	9 - 20	433123-38130	12 - 19	437020-32430	6 - 52
178114-32630	2 - 27	433123-38131	11 - 19	437030-19830	6 - 49
178114-32630	3 - 27	433123-38131	12 - 19	437039-37630	6 - 12
178810-33331	2 - 26	433123-38131	13 - 19	437062-19830	6 - 50
178810-33331	3 - 26	433142-35430	10 - 20	437063-19930	6 - 4
351103-32432	7 - 26	433142-35430	11 - 20	437065-19830	6 - 48
351103-32433	7 - 26	433142-35430	12 - 20	437066-30130	6 - 3
351103-32433	8 - 26	433142-35430	13 - 20	437100-38831	6 - 20

Index

Patrs Number	Key No.	Patrs Number	Key No.	Patrs Number	Key No.
437100-38832	6 - 20	900162-04008	7 - 40	900241-04008	10 - 25
437110-19831	6 - 28	900162-04008	8 - 40	900241-04008	11 - 25
437111-19830	6 - 27	900162-04008	9 - 40	900242-04008	1 - 30
437112-38731	6 - 25	900162-04010	2 - 55	900242-04008	4 - 39
437118-19830	6 - 21	900162-04010	3 - 55	900242-04008	5 - 39
437121-10130	6 - 30	900162-04012	6 - 1	900246-03008	1 - 45
437122-03430	6 - 22	900162-04020	4 - 40	900246-03008	7 - 33
437210-15130	6 - 18	900162-04020	5 - 40	900246-03008	8 - 33
437210-38330	6 - 10	900162-05014	1 - 9	900246-03008	9 - 33
437211-32430	6 - 6	900162-05014	2 - 48	900252-04010	6 - 34
437212-32430	6 - 7	900162-05014	3 - 48	900252-04012	10 - 16
437212-32630	6 - 39	900162-05014	4 - 14	900252-04012	11 - 16
437216-32630	6 - 37	900162-05014	4 - 21	900252-04012	12 - 16
437232-32630	6 - 38	900162-05014	5 - 21	900252-04012	13 - 16
437413-19830	6 - 33	900162-05014	7 - 42	900252-05020	6 - 32
437605-32430	6 - 2	900162-05014	7 - 50	900253-04008	2 - 6
890118-15130	11 - 37	900162-05014	8 - 42	900253-04008	4 - 28
890118-17930	4 - 33	900162-05014	8 - 50	900253-04008	5 - 28
890118-17930	5 - 33	900162-05014	9 - 42	900253-04010	10 - 27
890118-38130	10 - 37	900162-05014	9 - 50	900253-04010	11 - 27
890155-30130	10 - 38	900162-05020	1 - 38	900253-04010	2 - 6
890155-30130	11 - 38	900162-05020	1 - 47	900253-04010	3 - 6
890157-19830	2 - 30	900162-05020	2 - 37	900253-05035	7 - 48
890157-19830	3 - 30	900162-05020	2 - 47	900253-05035	8 - 48
890157-39130	7 - 60	900162-05020	3 - 37	900253-05035	9 - 48
890157-39130	8 - 60	900162-05020	3 - 47	900330-30120	2 - 10
890157-39130	9 - 60	900162-05020	4 - 14	900330-30120	3 - 10
890345-39230	1 - 52	900162-05020	4 - 32	900330-35260	10 - 8
895410-02830	10 - 60	900162-05020	5 - 32	900330-35260	11 - 8
895410-02830	11 - 60	900162-05025	1 - 6	900330-35260	12 - 8
895610-00130	10 - 63	900162-05035	1 - 37	900330-35260	13 - 8
895610-00130	11 - 63	900209-05035	10 - 3	900330-40088	10 - 15
895812-03930	10 - 61	900209-05035	11 - 3	900330-40088	11 - 15
895812-03930	11 - 61	900209-05035	12 - 3	900330-40088	12 - 15
898510-39130	10 - 62	900209-05035	13 - 3	900330-40088	13 - 15
898510-39130	11 - 62	900220-03018	10 - 35	900342-50025	7 - 24
898548-14531	10 - 65	900220-03018	11 - 35	900342-50025	8 - 24
898548-14531	11 - 65	900220-03018	12 - 35	900342-50025	9 - 24
898568-14530	10 - 66	900220-03018	13 - 35	900345-20016	6 - 29
898568-14530	11 - 66	900220-05018	1 - 18	900345-50010	1 - 22
900105-04006	10 - 52	900238-04014	7 - 11	900500-00003	10 - 17
900105-05008	7 - 49	900238-04014	8 - 11	900500-00003	11 - 17
900105-05008	8 - 49	900238-04014	9 - 11	900500-00003	12 - 17
900105-05008	9 - 49	900238-05014	1 - 36	900500-00003	13 - 17
900105-05012	10 - 31	900238-05020	7 - 53	900500-00008	4 - 8
900105-05012	11 - 31	900238-05020	8 - 53	900500-00008	5 - 8
900105-05025	7 - 13	900238-05020	9 - 53	900560-00005	10 - 6
900105-05025	8 - 13	900241-03006	10 - 26	900560-00005	12 - 6
900105-05025	9 - 13	900241-03006	11 - 26	900562-50005	10 - 6

Index

Patrs Number	Key No.	Patrs Number	Key No.	Patrs Number	Key No.
900562-50005	11 - 6	A226-000070	2 - 12	P003-000600	15 - 44
900562-50005	12 - 6	A226-000070	3 - 12	P003-000610	14 - 41
900562-50005	13 - 6	A232-000070	2 - 3	P003-000610	15 - 41
900600-00005	1 - 19	A232-000070	3 - 3	P003-000620	14 - 42
900603-00005	4 - 13	A235-000050	2 - 8	P003-000620	15 - 42
900603-00005	4 - 22	A235-000050	3 - 8	P021-002281	10 - 34
900603-00005	5 - 13	A238-000030	2 - 11	P021-002281	12 - 34
900603-00005	5 - 22	A238-000030	3 - 11	P021-002282	10 - 34
900603-00005	6 - 31	A241-000030	2 - 25	P021-002282	12 - 34
900630-00005	7 - 47	A241-000030	3 - 25	P021-002283	10 - 34
900630-00005	8 - 47	A426-000010	4 - 35	P021-002283	12 - 34
900630-00005	9 - 47	A426-000010	5 - 35	P021-002284	10 - 34
900700-00003	6 - 14	A427-000010	4 - 36	P021-002284	11 - 34
900720-00003	6 - 15	A427-000011	4 - 36	P021-002284	12 - 34
900720-00003	6 - 46	A427-000012	4 - 36	P021-002284	13 - 34
900720-00007	6 - 26	A427-000012	5 - 36	P021-002285	11 - 34
900720-20029	7 - 31	A551-000030	10 - 48	P021-002285	13 - 34
900720-20029	8 - 31	A551-000051	10 - 73	P021-002790	1 - 10
900720-20029	9 - 31	A551-000051	11 - 73	P021-002791	1 - 10
900725-02025	1 - 43	A552-000030	10 - 49	P021-002800	2 - 38
900810-36202	1 - 26	A552-000031	10 - 49	P021-002800	3 - 38
91107-05050	2 - 14	A552-000040	10 - 70	P021-002880	10 - 30
91107-05050	3 - 14	A552-000040	11 - 70	P021-002880	11 - 30
A011-000130	1 - 32	C305-000040	10 - 28	P021-002890	10 - 51
A011-000250	1 - 32	C305-000040	11 - 28	P021-002900	4 - 20
A014-000010	1 - 4	C309-000030	10 - 41	P021-002901	4 - 20
A021-000250	14 -	C309-000030	11 - 41	P021-002901	5 - 20
A021-000250	2 - 20	C400-000100	7 - 56	P021-007790	10 - 72
A021-000250	3 - 20	C400-000100	8 - 56	P021-007790	11 - 72
A021-000290	15 -	C400-000100	9 - 56	P021-010640	12 -
A021-000290	2 - 20	C450-000040	7 - 23	P021-010640	13 -
A021-000290	3 - 20	C450-000040	8 - 23	P021-010641	13 -
A056-000040	10 - 47	C450-000041	8 - 23	V131-000000	2 - 19
A056-000041	10 - 47	C450-000042	8 - 23	V131-000000	3 - 19
A056-000050	10 - 69	C450-000042	9 - 23	V131-000010	2 - 19
A056-000050	11 - 69	C454-000060	2 - 28	V131-000010	3 - 19
A130-000240	1 - 5	C454-000060	3 - 28	V150-000570	1 - 29
A130-000241	1 - 5	P003-000010	15 - 20	V150-000750	7 - 39
A160-000330	1 - 49	P003-000540	14 - 18	V150-000750	8 - 39
A161-000020	4 - 17	P003-000540	15 - 18	V150-000750	9 - 39
A161-000020	5 - 17	P003-000550	14 - 40	V162-000040	7 - 27
A172-000130	4 - 16	P003-000550	15 - 40	V162-000040	8 - 27
A172-000130	5 - 16	P003-000560	14 - 39	V162-000040	9 - 27
A202-000010	1 - 8	P003-000560	15 - 39	V203-000040	10 - 40
A204-000020	2 - 13	P003-000570	14 - 24	V203-000041	10 - 40
A204-000020	3 - 13	P003-000580	14 - 21	V203-000050	7 - 41
A220-000010	2 - 35	P003-000590	14 - 12	V203-000050	8 - 41
A220-000011	2 - 35	P003-000590	15 - 12	V203-000050	9 - 41
A220-000011	3 - 35	P003-000600	14 - 44	V203-000110	10 - 40

Index

Patrs Number	Key No.	Patrs Number	Key No.	Patrs Number	Key No.
V203-000110	11 - 40	V651-000001	10 - 44		
V203-000110	12 - 40	V651-000001	11 - 44		
V203-000110	13 - 40	V651-000010	10 - 42		
V203-000150	4 - 14	V651-000011	10 - 42		
V203-000150	5 - 14	V651-000011	11 - 42		
V309-000010	6 - 3	X502-000460	5 - 33		
V341-000010	1 - 48	X502-000560	11 - 37		
V353-000110	7 - 14	X503-002480	2 - 2		
V353-000110	8 - 14	X503-002481	2 - 2		
V353-000110	9 - 14	X503-002481	3 - 2		
V353-000120	7 - 46	X505-000000	1 - 51		
V353-000120	8 - 46	X505-000180	1 - 53		
V353-000120	9 - 46				
V353-000190	4 - 10				
V353-000191	5 - 10				
V355-000030	10 - 43				
V355-000270	10 - 43				
V355-000270	11 - 43				
V401-000050	7 - 55				
V401-000050	8 - 55				
V401-000050	9 - 55				
V401-000060	1 - 35				
V419-000010	7 - 45				
V419-000010	8 - 45				
V419-000010	9 - 45				
V420-000320	2 - 39				
V420-000320	3 - 39				
V420-000530	7 - 15				
V420-000530	8 - 15				
V420-000530	9 - 15				
V420-000540	2 - 36				
V420-000540	3 - 36				
V450-000150	7 - 38				
V450-000150	8 - 38				
V450-000150	9 - 38				
V450-000290	6 - 24				
V451-000190	2 - 9				
V451-000190	3 - 9				
V451-000260	10 - 50				
V451-000430	10 - 71				
V451-000430	11 - 71				
V453-000040	2 - 5				
V453-000040	3 - 5				
V580-000000	1 - 13				
V610-000000	1 - 12				
V649-000010	7 - 52				
V649-000010	8 - 52				
V649-000010	9 - 52				
V651-000000	10 - 44				

YAMABIKO CORPORATION

7-2 SUEHIROCHO 1-CHOME, OHME, TOKYO 198-8760, JAPAN
PHONE: 81-428-32-6118. FAX: 81-428-32-6145.

