



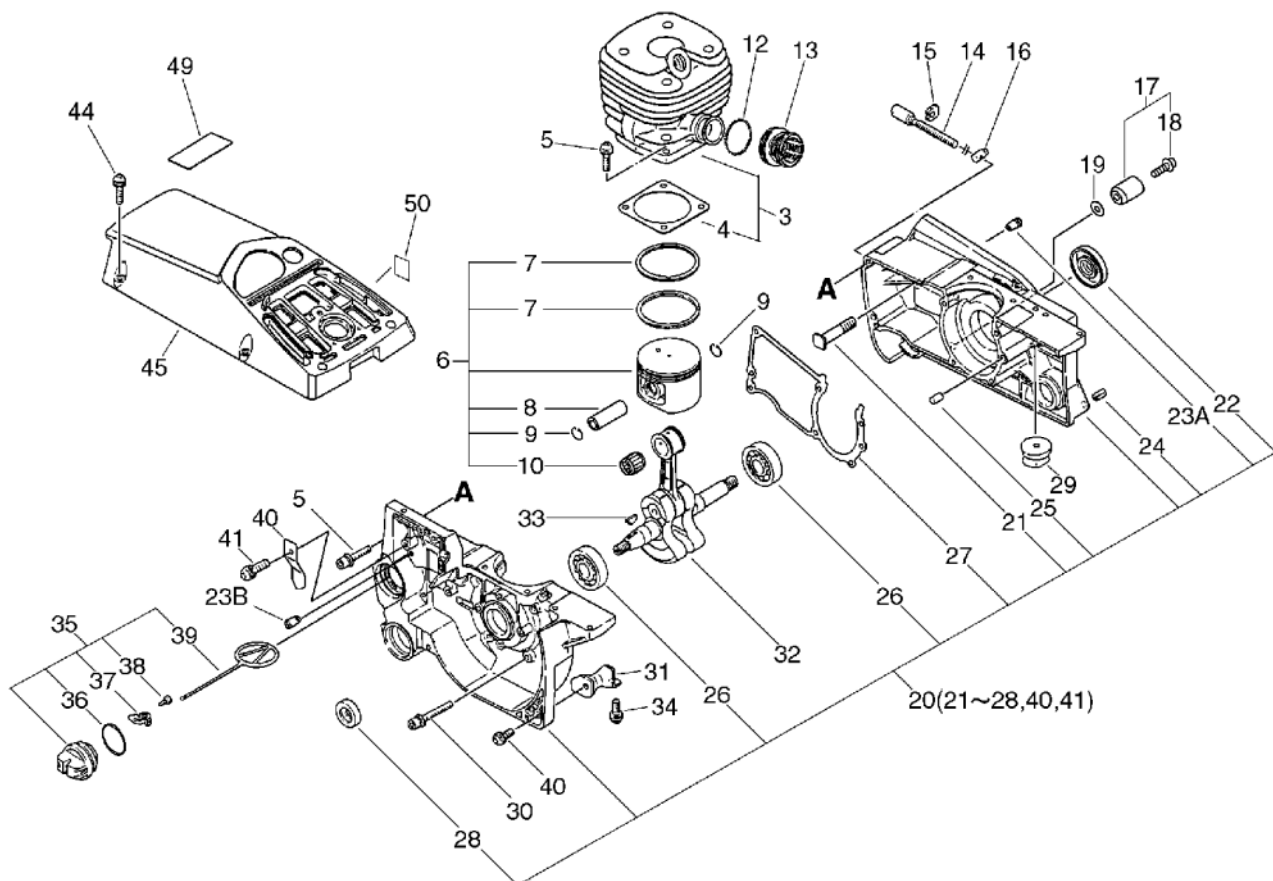
PARTS CATALOGUE

CHAIN SAW CS-6701(CE)

CS-6701(CE)

1. Cylinder, Crankcase, Piston

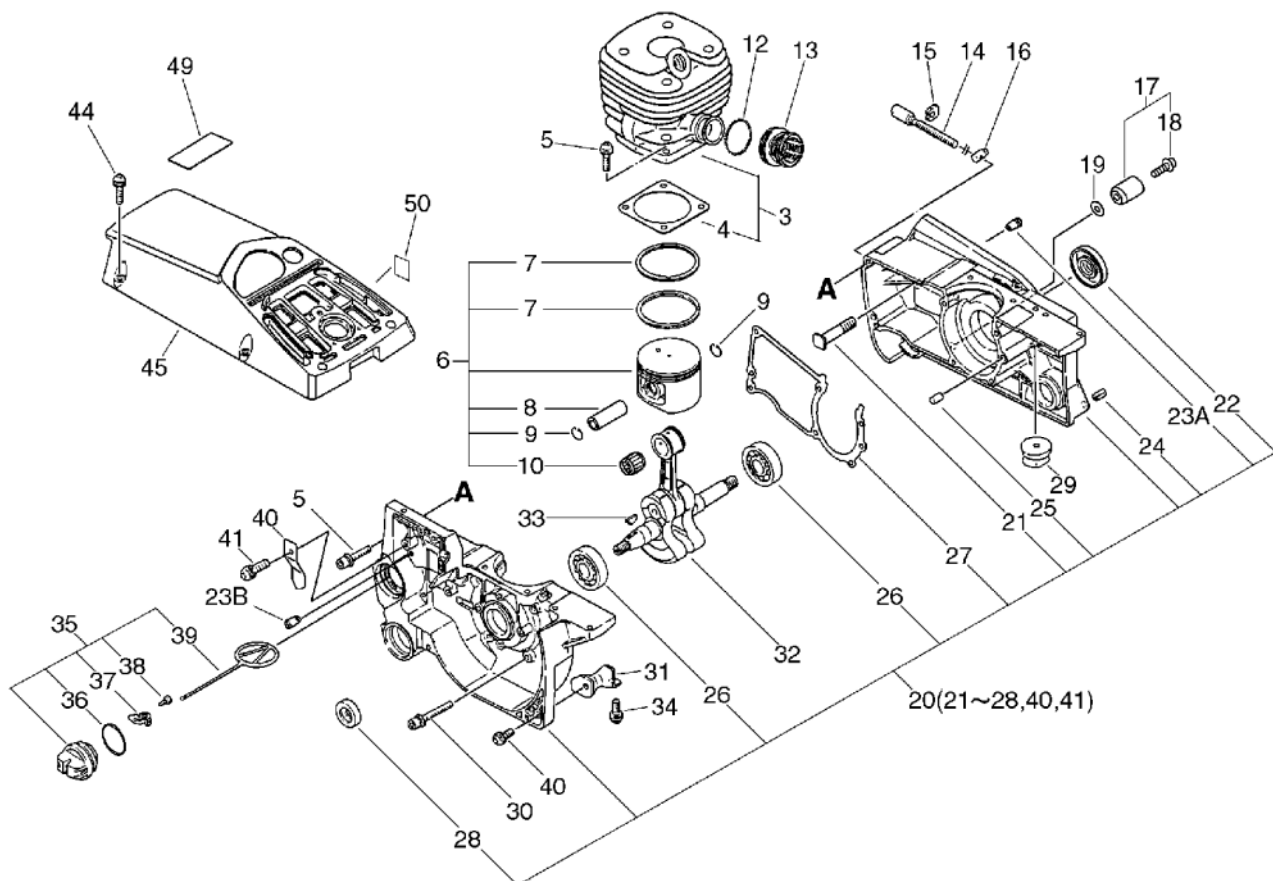
No.1



KEY	LV	PART NUMBER	Q'TY	DESCRIPTION	REMARKS	NOTE1	NOTE2
3		101001-32431	1	CYLINDER ASSY			
4	+	101010-32431	1	GASKET, CYL. BASE			
5		900162-05020	6	BOLT, H.S. 5*20	5*20 W,SW		
6		100000-32431	1	PISTON KIT		Sus. by 100000-32432	
6		100000-32432	1	PISTON KIT			
7	+	100011-32430	2	RING, PISTON		Sus. by 100011-32431	
7	+	100011-32431	2	RING, PISTON			
8	+	100013-32430	1	PIN, PISTON	8*12*33.8		
9	+	100015-00230	2	CIRCLIP, PISTON PIN			
10	+	100012-32430	1	BEARING, NEEDLE			
12		130516-30830	1	BAND			
13		130510-32430	1	ADAPTER, INTAKE			
14		433016-11031	1	SCREW, TENSIONER			
15		433028-11030	1	CLIP			
16		433014-02830	1	TENSIONER			
17		433000-19831	1	CATCHER KIT, CHAIN			
18	+	900220-05018	1	SCREW 5*18	5*18		
19		900600-00005	1	WASHER 5	5		
20		100204-32432	1	CRANKCASE KIT		Sus. by 100204-32435	
20		100204-32433	1	CRANKCASE KIT		Sus. by 100204-32435	
20		100204-32434	1	CRANKCASE KIT		Sus. by 100204-32435	

1. Cylinder, Crankcase, Piston

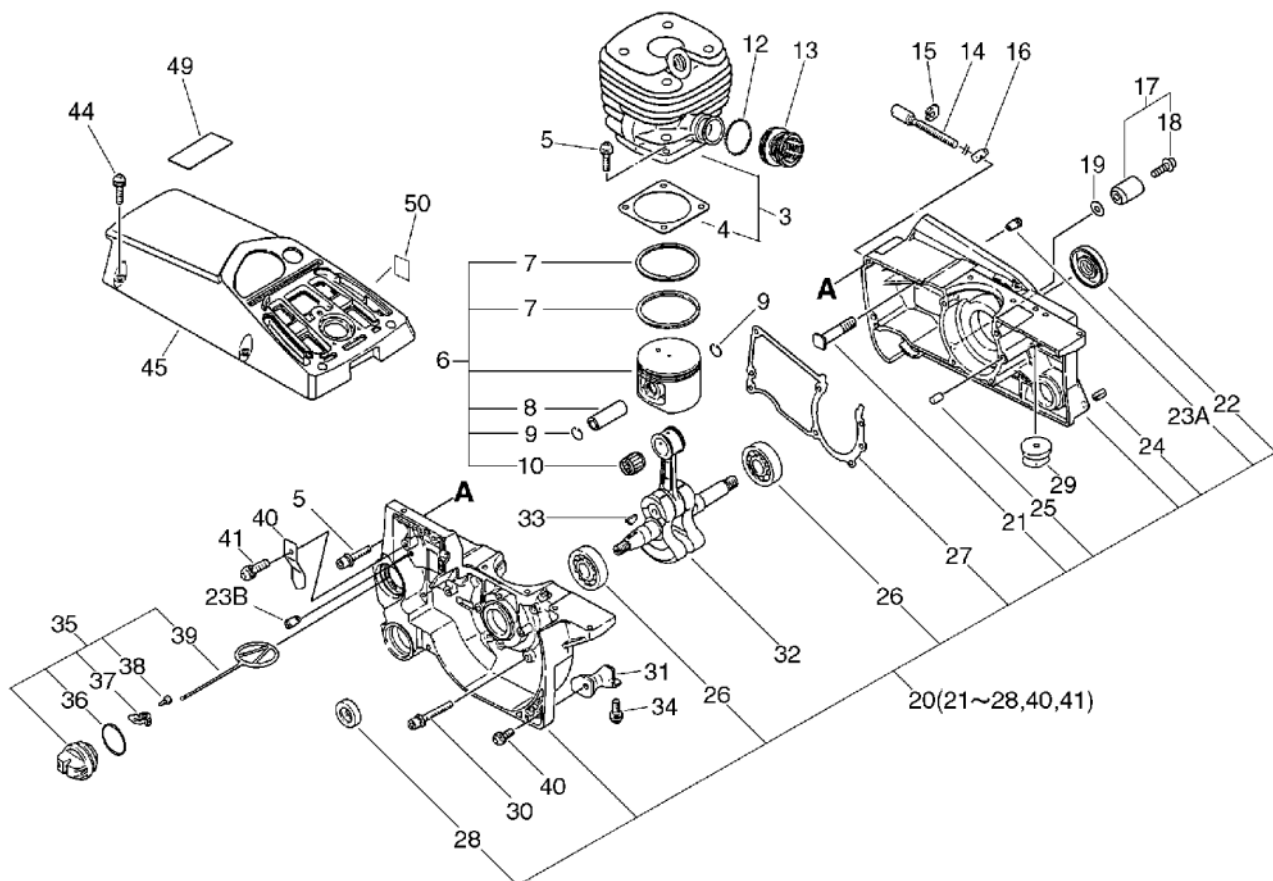
No.1



KEY	LV	PART NUMBER	Q'TY	DESCRIPTION	REMARKS	NOTE1	NOTE2
20		100204-32435	1	CRANKCASE KIT			
21	+	433011-19830	2	STUD, GUIDE BAR			
22	+	100212-32430	1	OILSEAL (L)	25Z-15*39.9*7		
23A	+	436114-13930	1	VALVE, CHECK		Can be used on the 100204-32432 only	
23B	+	436114-13930	1	VALVE, CHECK		Can be used on the 100204-32433 only	
24	+	900345-50010	1	PIN, SPRING 5*10SUS	5*10SUS		
25	+	100215-02830	2	PIN, DOWEL			
26	+	900810-36202	2	BEARING, BALL 6202	6202/C3		
27	+	100242-32430	1	GASKET, CRANKCASE			
28	+	100212-19830	1	OILSEAL	ISM 15*25*6		
40	+	V150-000570	1	PLATE,EYE		Can be used on the 100204-32433 only	
41	+	900242-04008	1	SCREW	4*8	Can be used on the 100204-32433 only	
29		100251-32430	1	CUSHION (A)			
30		900162-05035	4	BOLT, H.S. 5*35	5*35 W,SW		
31		100917-32430	1	CUSHION (B)			
32		100100-32430	1	CRANKSHAFT ASSY			
33		100142-30830	1	KEY, WOODRUFF			

1. Cylinder, Crankcase, Piston

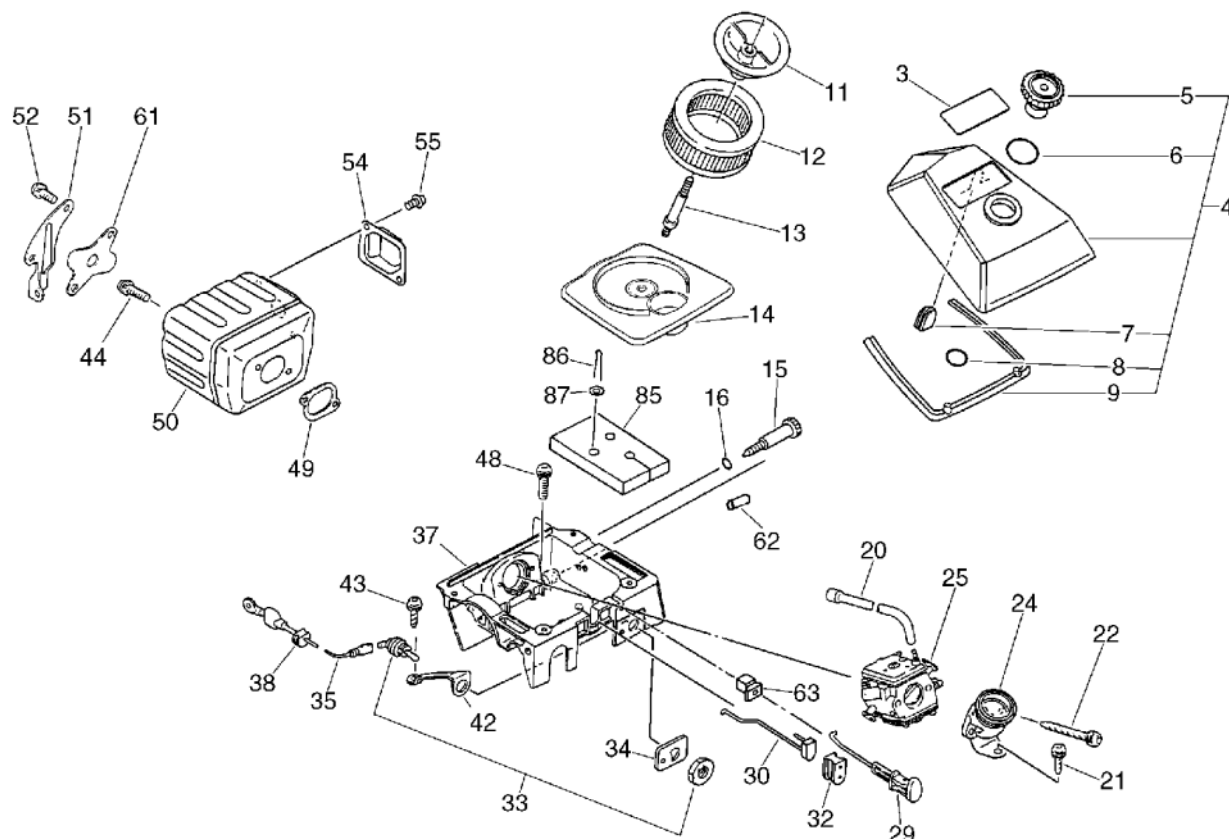
No.1



KEY	LV	PART NUMBER	Q'TY	DESCRIPTION	REMARKS	NOTE1	NOTE2
34		900162-05014	2	BOLT, H.S. 5*14	5*14 W,SW	Sus. by 900162-05014 Q'TY:1	
34		900162-05014	1	BOLT, H.S. 5*14	5*14 W,SW		
35		436001-19833	1	CAP ASSY, OIL TANK			
36	+	900725-02025	1	O-RING	JASO 2025		
37	+	131050-19830	1	RETAINER, LINK			
38	+	900246-03008	1	SCREW 3*8	3*8		
39	+	131051-19830	1	LINK	60L		
40		900238-05014	1	SCREW 5*14	5*14		
44		900238-05020	5	SCREW 5*20	5*20		
45		101506-32633	1	COVER, CYLINDER BS		Sus. by 101506-32634	
45		101506-32634	1	COVER, CYLINDER			
49		890345-39230	1	LABEL, CAUTION			
50		890631-38130	1	LABEL, CAUTION			

2. Air Cleaner, Muffler

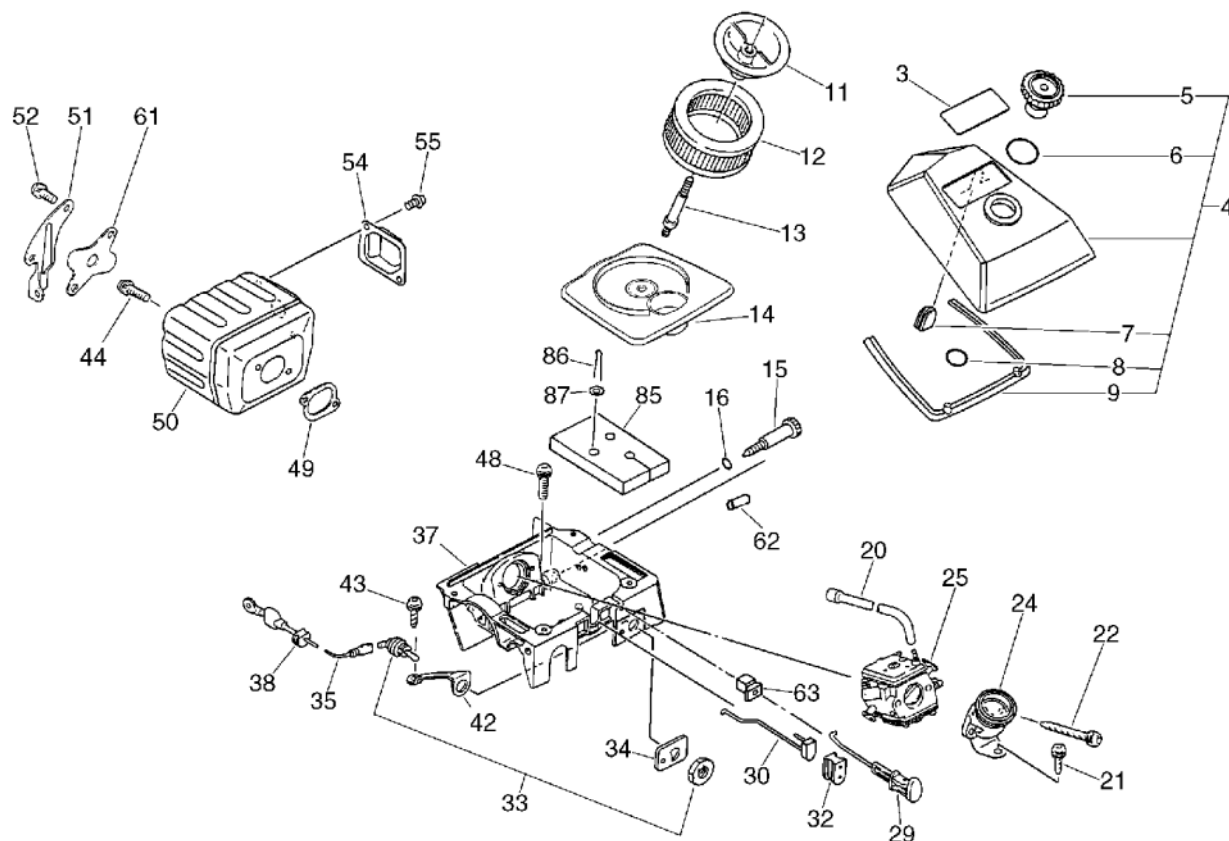
No.2



KEY	LV	PART NUMBER	Q'TY	DESCRIPTION	REMARKS	NOTE1	NOTE2
3		890151-38130	1	LABEL, MODEL			
4		130302-38131	1	COVER ASSY, AIR CLN.			
5	+	130406-33331	1	KNOB, CLEANER LID			
6	+	900720-00021	1	O-RING 21	P-21		
7	+	130338-32430	1	PLUG, COVER			
8	+	900720-00011	1	O-RING P-11	P-11		
9	+	130365-32430	1	RUBBER, AIR CLEANER			
11		130405-38130	1	BRACKET, AIR CLEANER			
12		130300-38130	1	CLEANER ASM., AIR			
13		130325-39730	1	STUD, AIR CLEANER			
14		130420-38131	1	BRACKET, AIR CLEANER			
15		129013-30831	1	SCREW, IDLE SPEED			
16		900720-20007	1	O-RING 7	P-7		
20		130110-19830	1	PIPE, IMPULSE			
21		900246-05014	1	SCREW 5*14	5*14		
22		900252-05053	2	SCREW 5*53	5*53		
24		130518-32431	1	FUNNEL, AIR			
25		123000-32432	1	CARBURETOR HDA-76	HDA-76		
29		178510-32330	1	ROD, CHOKE			
30		178011-32630	1	ROD, THROTTLE		Sus. by C454-000000	
30		C454-000000	1	ROD, THROTTLE			
32		178114-32630	1	HOLDER, THR. LEVER			
33		163400-32430	1	SWITCH, IGNITION			
34		890157-19830	1	LABEL, SWITCH			
35		162021-32430	1	LEAD			

2. Air Cleaner, Muffler

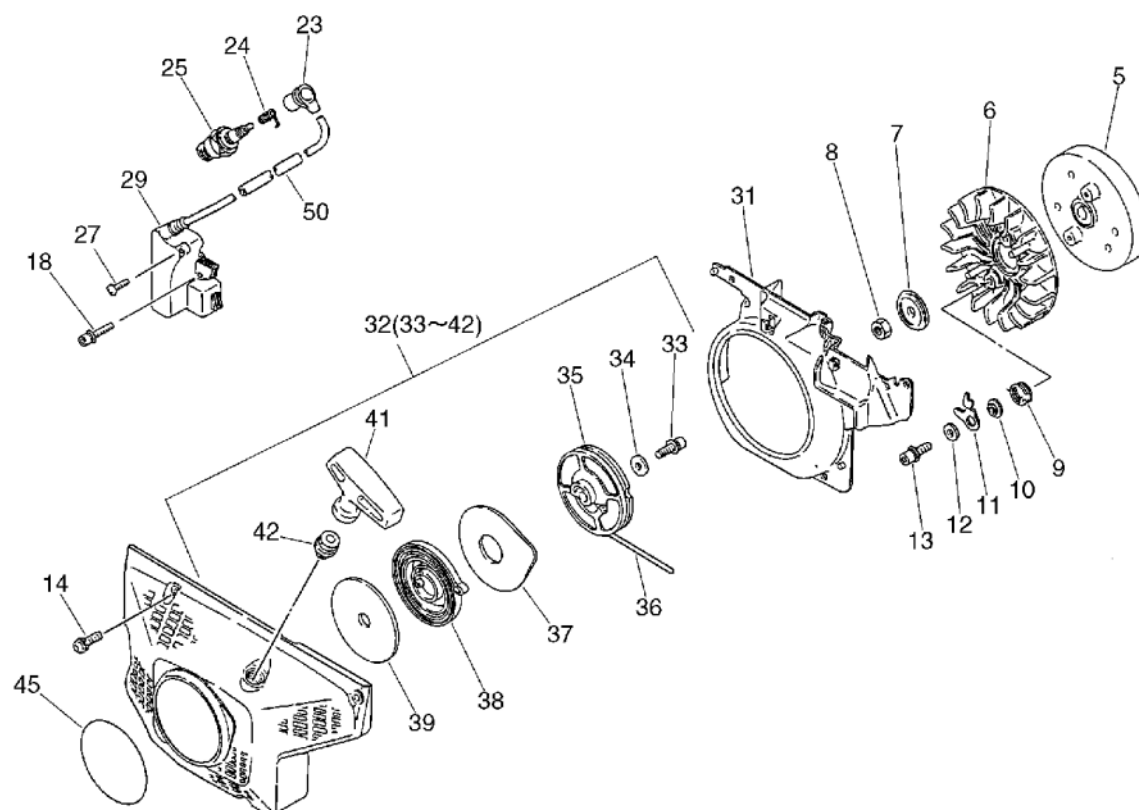
No.2



KEY	LV	PART NUMBER	Q'TY	DESCRIPTION	REMARKS	NOTE1	NOTE2
37		130306-06062	1	CASE, CARBURETOR BS			
38		156114-04920	1	GROMMET			
42		156635-32430	1	PLATE, GROUND			
43		900252-04010	1	SCREW 4*10	4*10		
44		900162-05020	2	BOLT, H.S. 5*20	5*20 W,SW		
48		900162-05020	4	BOLT, H.S. 5*20	5*20 W,SW		
49		145510-32431	1	GASKET, MUFFLER			
50		145610-32430	1	MUFFLER			
51		145711-32430	1	BRACKET, MUFFLER			
52		900162-05014	2	BOLT, H.S. 5*14	5*14 W,SW		
54		145861-32430	1	LID, MUFFLER			
55		900162-04010	2	BOLT, H.S. 4*10	4*10 W,SW		
61		145813-31730	1	COVER, MUFFLER			
62		129010-32430	1	GROMMET			
63		178810-33330	1	GROMMET, CHOKE		Sus. by 178810-33331	
63		178810-33331	1	GROMMET, CHOKE			
85		130320-32630	1	SEAL, CARB. CASE			
86		900300-30018	1	PIN, SPLIT 3*18	3*18		
87		433162-19930	1	WASHER			

3. Starter, Magneto

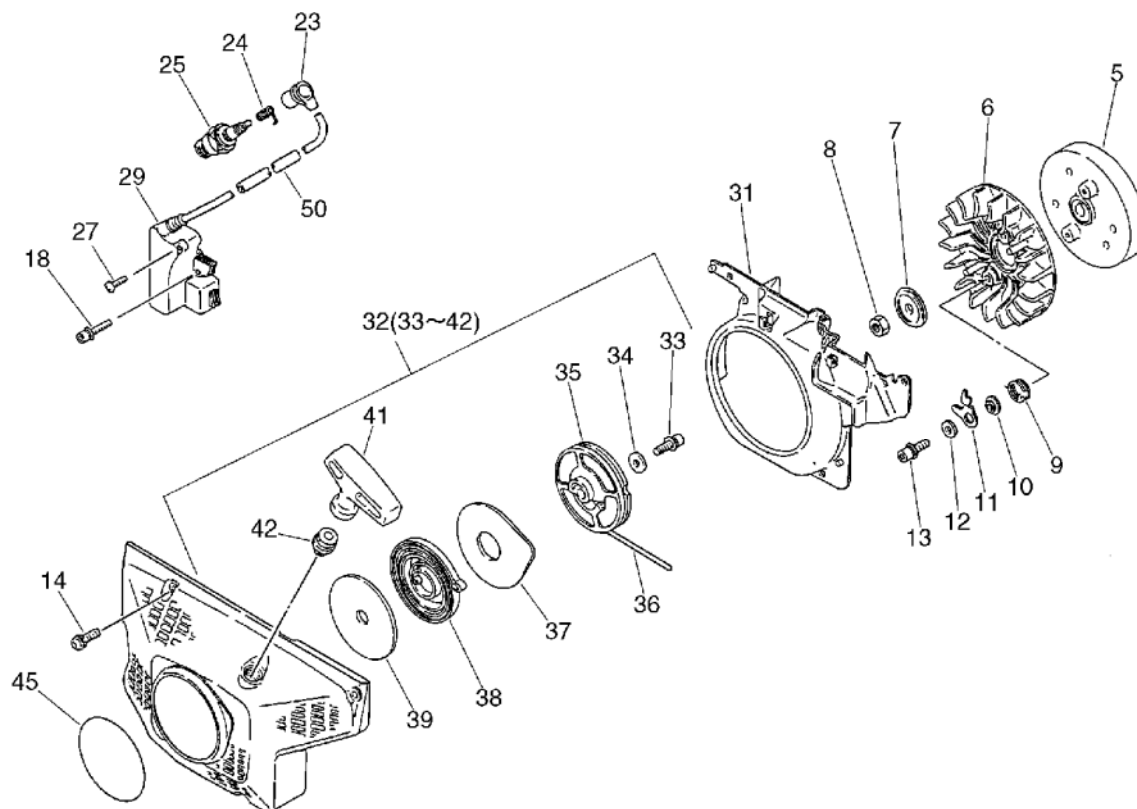
No.3



KEY	LV	PART NUMBER	Q'TY	DESCRIPTION	REMARKS	NOTE1	NOTE2
5		156800-32631	1	ROTOR, MAGNETO			
6		101521-32330	1	FAN, COOLING			
7		100143-19830	1	WASHER	8.2*31*0.8		
8		900500-00008	1	NUT 8	8*P1.25		
9		177234-19830	2	SPRING, RETURN		Sus. by 177234-19832	
9		177234-19831	2	SPRING, RETURN		Sus. by 177234-19832	
9		177234-19832	2	SPRING, RETURN			
10		177247-19830	2	SPACER, RATCHET			
11		177218-32630	2	PAWL, STARTER			
12		900603-00005	2	WASHER 5	5.5*12*0.8		
13		900162-05014	2	BOLT, H.S. 5*14	5*14 W,SW		
14		900238-05020	4	SCREW 5*20	5*20		
18		900162-04020	2	BOLT, H.S. 4*20	4*20 W,SW		
23		159012-03433	1	CAP, SPARK PLUG			
24		159011-03432	1	COIL, SPARK PLUG			
25		159017-31730	1	PLUG, SPARK RCJ-6Y	RCJ-6Y		
27		900242-04008	1	SCREW	4*8		
29		156601-32631	1	COIL, IGNITION			
31		101535-32430	1	COVER, FAN		Sus. by 101535-32431	
31		101535-32431	1	COVER, FAN			
32		177201-32436	1	STARTER ASSY			
33	+	900238-05014	1	SCREW 5*14	5*14		
34	+	900603-00005	1	WASHER 5	5.5*12*0.8		

3. Starter, Magneto

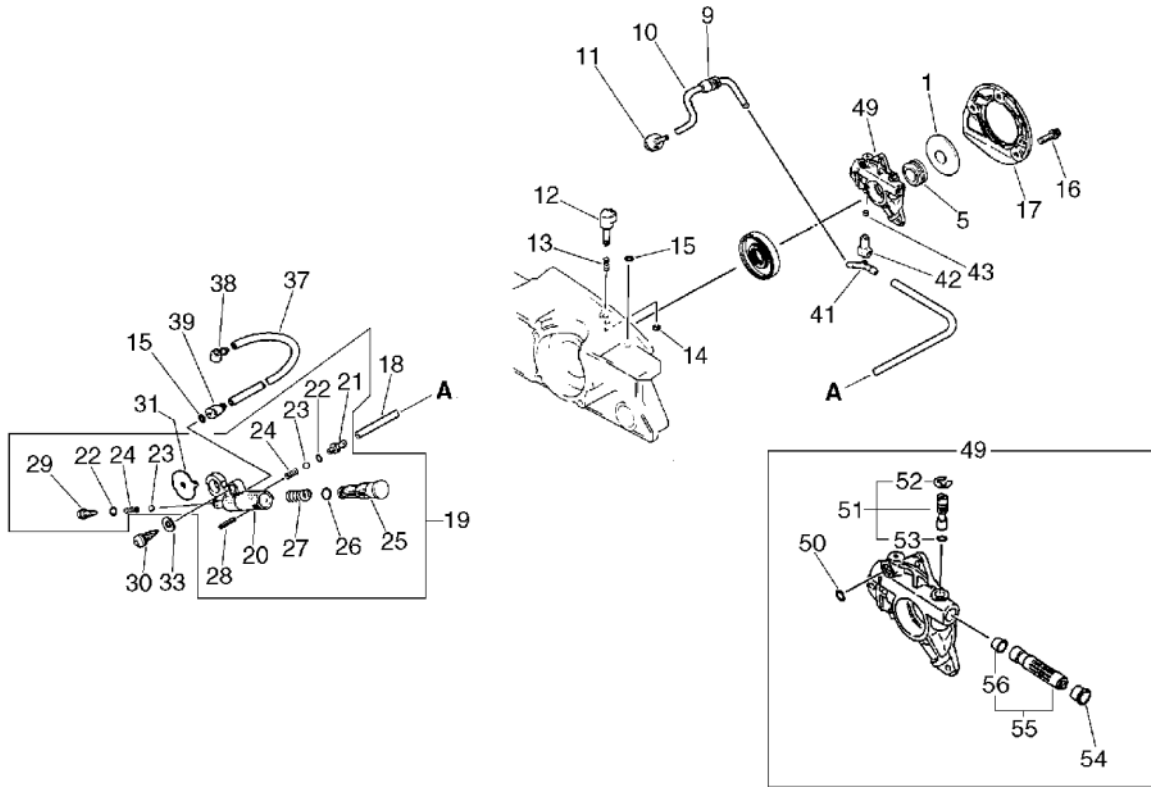
No.3



KEY	LV	PART NUMBER	Q'TY	DESCRIPTION	REMARKS	NOTE1	NOTE2
35	+	177215-32330	1	DRUM, STARTER			
36	+	177226-07060	1	ROPE, STARTER	4.0*950		
37	+	177221-07060	1	PLATE, STARTER			
38	+	177220-02834	1	SPRING, REWIND			
39	+	177221-02830	1	PLATE, STARTER			
41	+	177228-30830	1	GRIP, STARTER			
42	+	177227-07060	1	GUIDE, ROPE			
45		890112-38130	1	LABEL, ECHO		Sus. by 890118-17930	
45		890118-17930	1	LABEL, ECHO			
50		150611-32430	1	TUBE	7*8.6*90		

4. Auto-Oiler

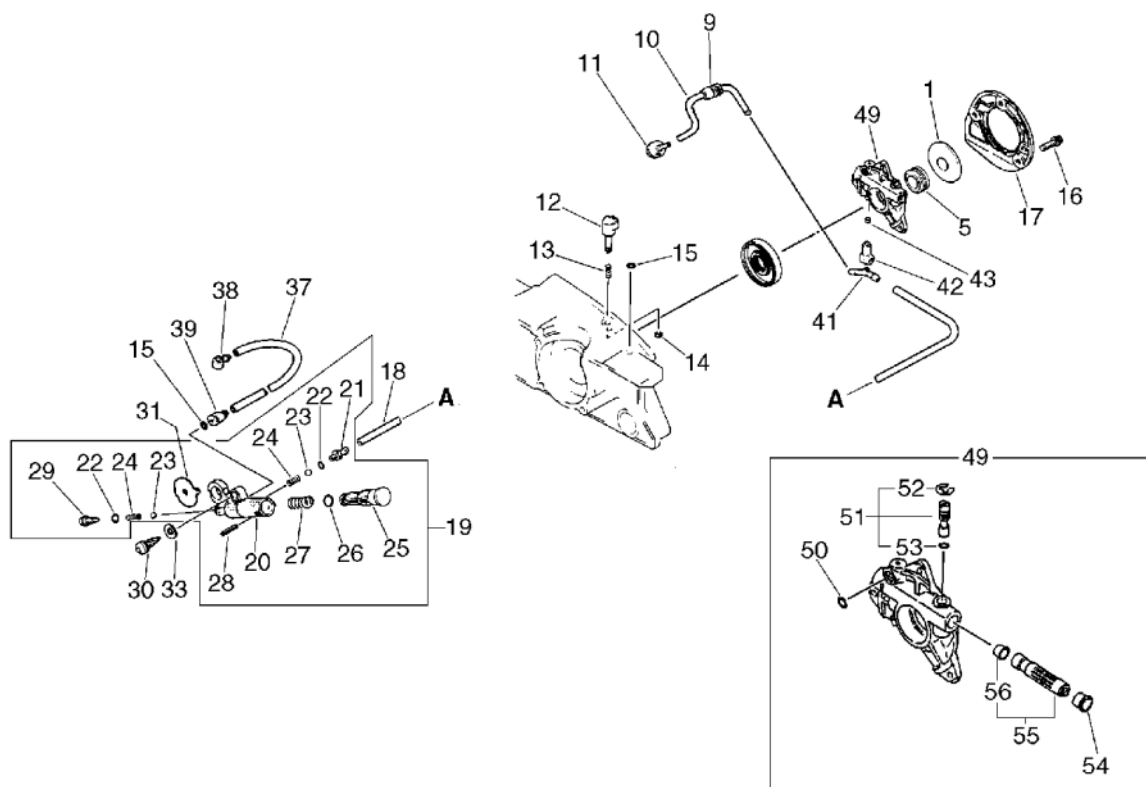
No.4



KEY	LV	PART NUMBER	Q'TY	DESCRIPTION	REMARKS	NOTE1	NOTE2
1		437066-30130	1	WASHER, CIRCULAR 12			
5		437063-19930	1	WORM (P)			
9		132115-12330	1	GROMMET			
10		437210-32430	1	PIPE, OIL (INNER)		Sus. by 437210-38330	
10		437210-38330	1	PIPE, OIL			
11		436205-14730	1	STRAINER, OIL			
12		437039-19831	1	KNOB			
13		437015-19830	1	SPRING			
14		900700-00003	1	E-RING 3	CE-3		
15		900720-00003	2	O-RING P-3	P-3		
16		900162-04012	3	BOLT, H.S. 4*12	4*12 W,SW		
17		437605-32430	1	COVER, OIL PUMP			
18		437210-15130	1	PIPE, OIL	3*6*200L		
19		437100-19831	1	OIL PUMP ASSY		Sus. by 437100-19832	
19		437100-19832	1	OILER ASY, MANUAL			
20	+	437110-19831	1	BODY, OIL PUMP			
21	+	437118-19830	1	NIPPLE			
22	+	437122-03430	2	O-RING			
23	+	437012-00330	2	VALVE, BALL			
24	+	437013-00330	2	SPRING, VALVE		Sus. by V450-000290	
24	+	V450-000290	2	SPRING, COMPRESSION			
25	+	437112-19831	1	PISTON, MANUAL			
26	+	900720-00007	1	O-RING 7	P-7		

4. Auto-Oiler

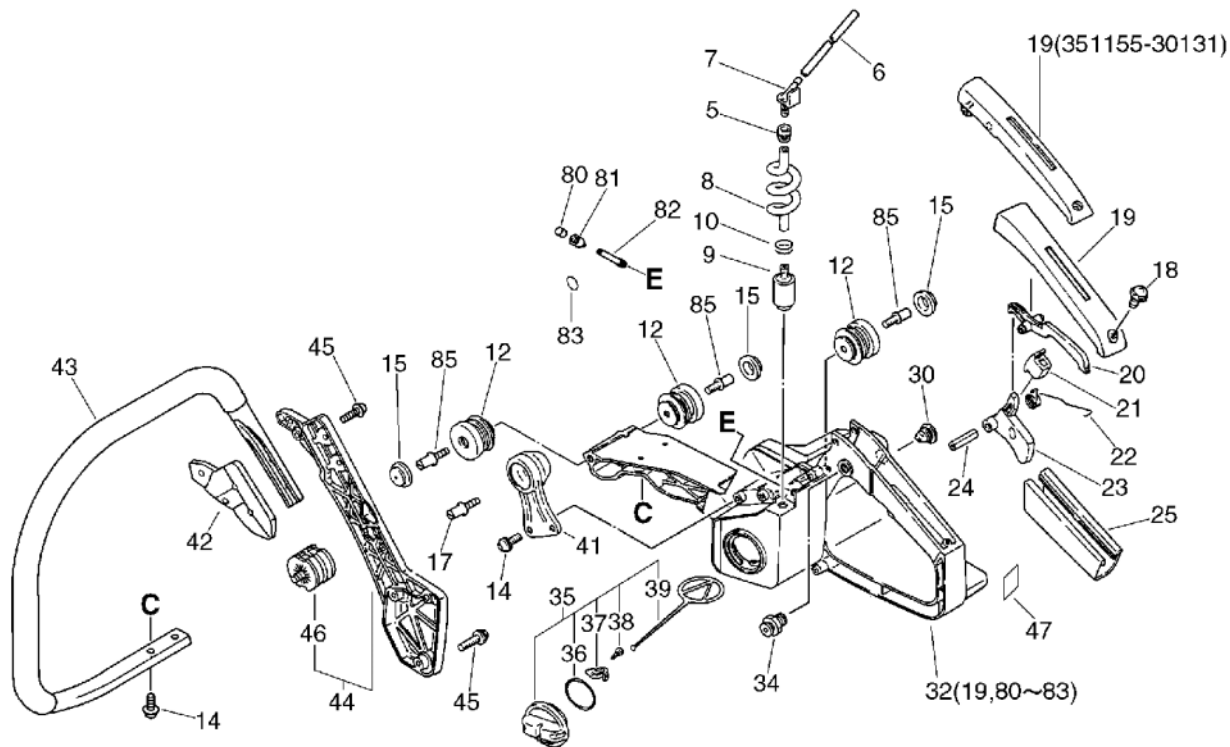
No.4



KEY	LV	PART NUMBER	Q'TY	DESCRIPTION	REMARKS	NOTE1	NOTE2
27	+	437111-19830	1	SPRING			
28	+	900345-20016	1	PIN, SPRING 2*16SUS	2*16SUS		
29	+	437121-10130	1	ADAPTER, OIL PUMP			
30		900252-05020	1	SCREW 5*20	5*20		
31		437413-19830	1	BARCKET, OIL PUMP			
33		900603-00005	1	WASHER 5	5.5*12*0.8		
37		437216-32630	1	PIPE, OUTLET			
38		437232-32630	1	CONNECTOR, OIL PIPE			
39		437212-32630	1	CONNECTOR, OIL PIPE			
41		437212-32430	1	CONNECTOR, OIL PIPE			
42		437211-32430	1	PIPE			
43		132013-26630	1	CLIP	6.5MM		
49		437002-37530	1	AUTO-OILER ASSY			
50	+	900720-00003	1	O-RING P-3	P-3		
51	+	437009-35430	1	PIN, CONTROL			
52	++	437065-19830	1	CLIP			
53	++	437030-19830	1	O-RING			
54	+	437062-19830	1	CAP, PLUNGER			
55	+	437006-32330	1	PLUNGER KIT			
56	++	437020-32430	1	V-RING			

5. Handle

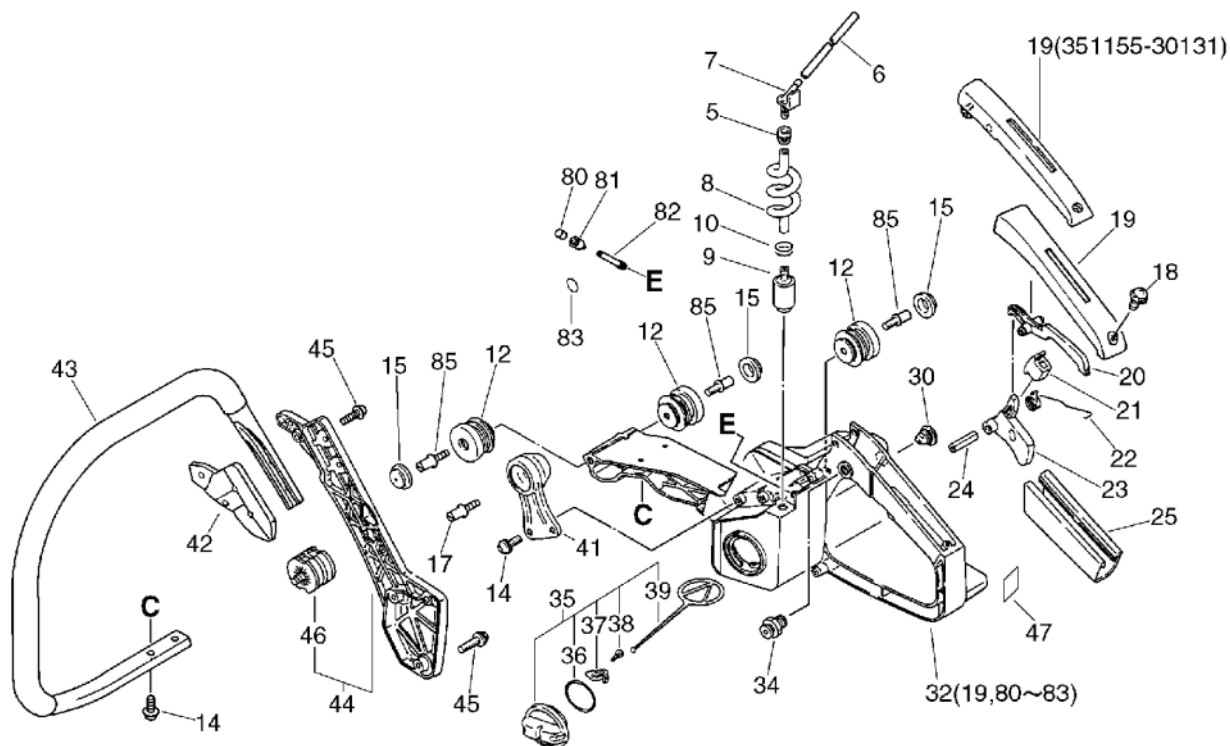
No.5



KEY	LV	PART NUMBER	Q'TY	DESCRIPTION	REMARKS	NOTE1	NOTE2
5		132115-01461	1	GROMMET			
6		132012-19830	1	PIPE 3*6*100	3*6*100	Sus. by 437217-20760	
6		437217-20760	1	PIPE 3*6*100	3*6*100 NBR		
7		132011-19830	1	CONNECTOR, FUEL PIPE			
8		132010-30830	1	PIPE			
9		131205-19830	1	STRAINER, FUEL			
10		132013-26630	1	CLIP	6.5MM		
12		100910-32430	3	CUSHION (A)			
14		900162-05014	4	BOLT, H.S. 5*14	5*14 W,SW		
15		100918-19830	3	CAP, CUSHION			
17		100915-33930	1	SCREW			
18		900238-04014	1	SCREW 4*14	4*14		
19		351155-30131	1	COVER, HANDLE		Can be used on the 351103-32431 only	
20		178090-30130	1	LOCKOUT, T. CONTROL			
21		178073-32430	1	CUSHION, THROTTLE			
22		178043-19830	1	SPRING, THR. RETURN			
23		178010-19830	1	CONTROL, THROTTLE			
24		900342-50025	1	PIN, SPRING 5*25	5*25		
25		351111-30130	1	GRIP, HANDLE			
30		131329-32330	1	PLUG, FUEL TANK		Sr/Nr 047487 and before	
32		351103-32431	1	HANDLE,W/FUEL TANKBS		Sus. by 351103-32433	

5. Handle

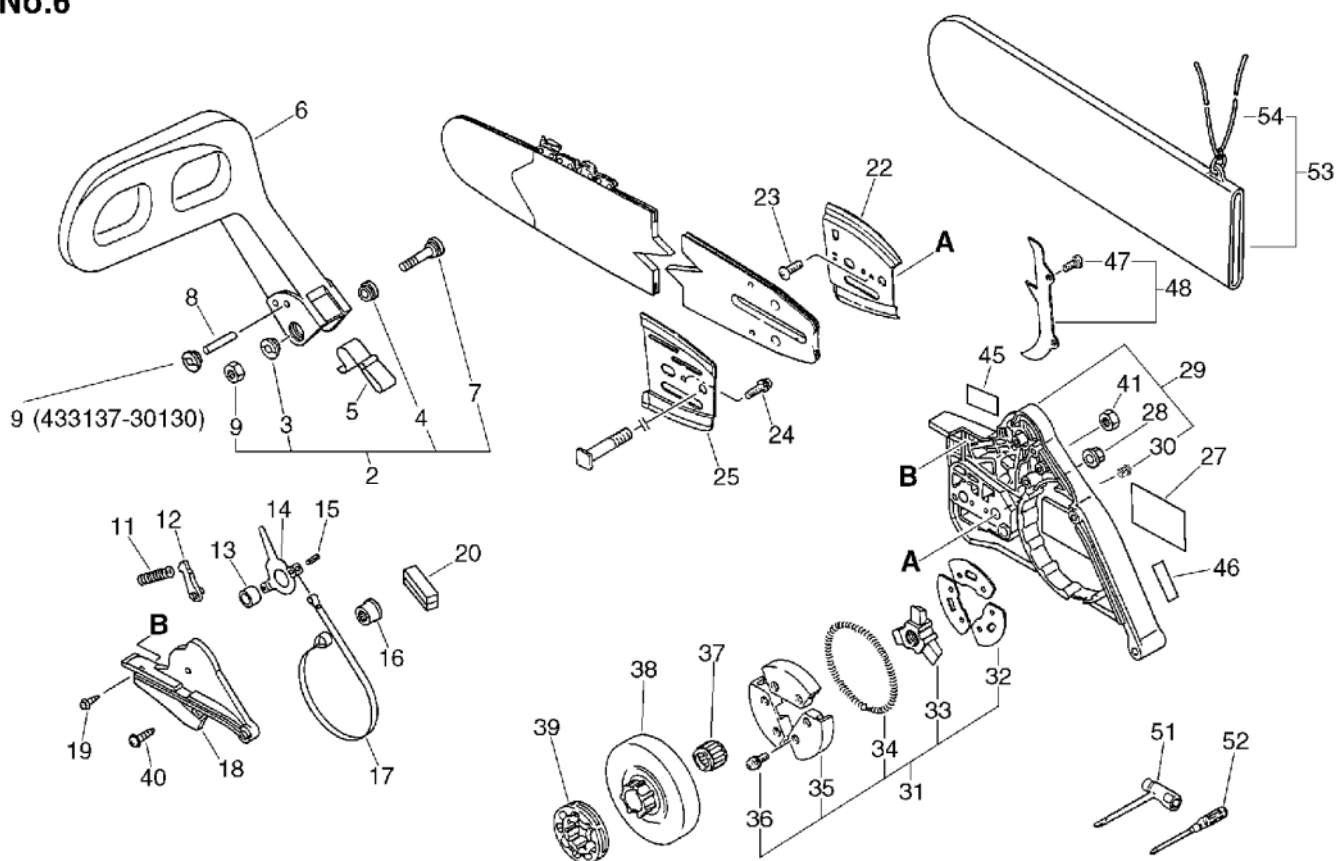
No.5



KEY	LV	PART NUMBER	Q'TY	DESCRIPTION	REMARKS	NOTE1	NOTE2
32		351103-32432	1	HANDLE, REAR		Sus. by 351103-32433	
32		351103-32433	1	HANDLE, REAR			
19	+	351155-35430	1	COVER, HANDLE (BL)		Can be used on the 351103-32432 only	
80	+	131300-56430	1	VALVE, CHECK			
81	+	131328-40630	1	COVER, VENT			
82	+	131312-32430	1	PIPE, VENT			
83	+	130111-00530	1	CLIP	5.5		
34		178302-12330	1	LATCH, THROTTLE			
35		131004-19831	1	CAP ASSY, FUEL TANK			
36	+	900720-20029	1	O-RING 29	P-29		
37	+	131050-19830	1	RETAINER, LINK			
38	+	900246-03008	1	SCREW 3*8	3*8		
39	+	131051-19830	1	LINK	60L		
41		100921-32431	1	CUSHION(C)			
42		351614-38130	1	BRACKET, F. HNDL.			
43		351606-38130	1	HANDLE, FRONT			
44		351603-38130	1	SUPPORTER,F.HNDL KIT			
46	+	100905-32331	1	CUSHION (R)			
45		900162-05014	6	BOLT, H.S. 5*14	5*14 W,SW		
47		890157-39130	1	LABEL, SWITCH			
85		100915-32530	3	BOLT			

6. Clutch, Sprocket, Tools

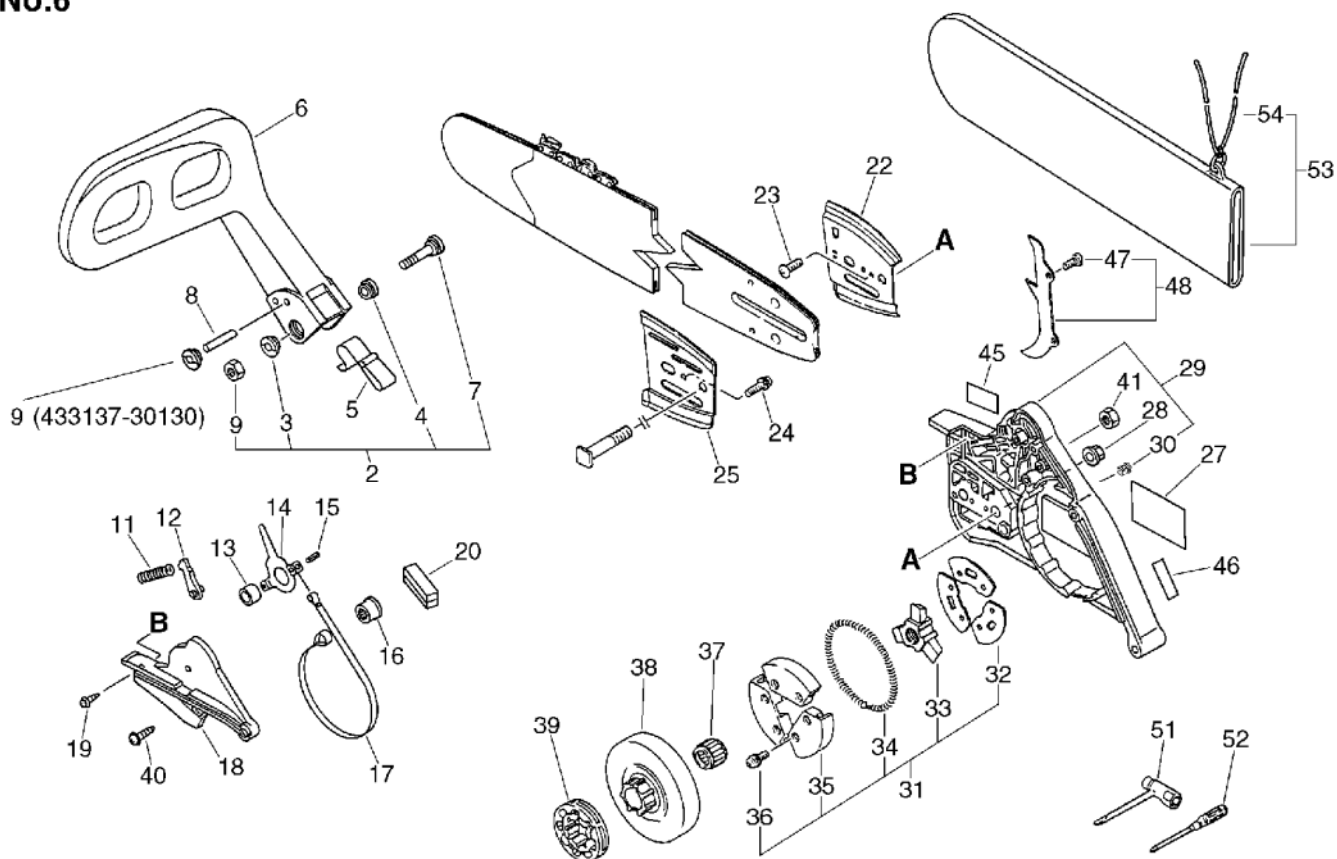
No.6



KEY	LV	PART NUMBER	Q'TY	DESCRIPTION	REMARKS	NOTE1	NOTE2
7		433113-37530	1	SCREW		Sus. by 433113-37538	
2		433113-37538	1	SCREW KIT			
3	+	433167-39130	1	SPACER		Sr/Nr 045433 and after	
4	+	433167-39730	1	COLLAR 5		Sr/Nr 045433 and after	
7	+	900209-05035	1	SCREW	5*35	Sr/Nr 045433 and after	
9	+	900560-00005	1	NUT, LOCK 5	5	Sr/Nr 045433 and after	
5		433114-38130	1	SPRING, RETURN		Sus. by 433114-38131	
5		433114-38131	1	SPRING			
6		433105-38130	1	LEVER, BRAKE		Sus. by 433105-38131	
6		433105-38131	1	LEVER, BRAKE			
8		900330-35260	1	PIN 3.5*26	3.5*26		
9		433137-30130	1	NUT		Sr/Nr 045432 and before	
11		433122-38130	1	SPRING, BRAKE			
12		433209-35430	1	STOPPER, BRAKE			
13		433116-35430	1	SPACER 8	8*12*9		
14		433208-35431	1	LEVER, BRAKE			
15		900330-40088	1	ROLLER 4*8.8	4*8.8		
16		433142-35430	1	ADJUSTER, BRAKE			

6. Clutch, Sprocket, Tools

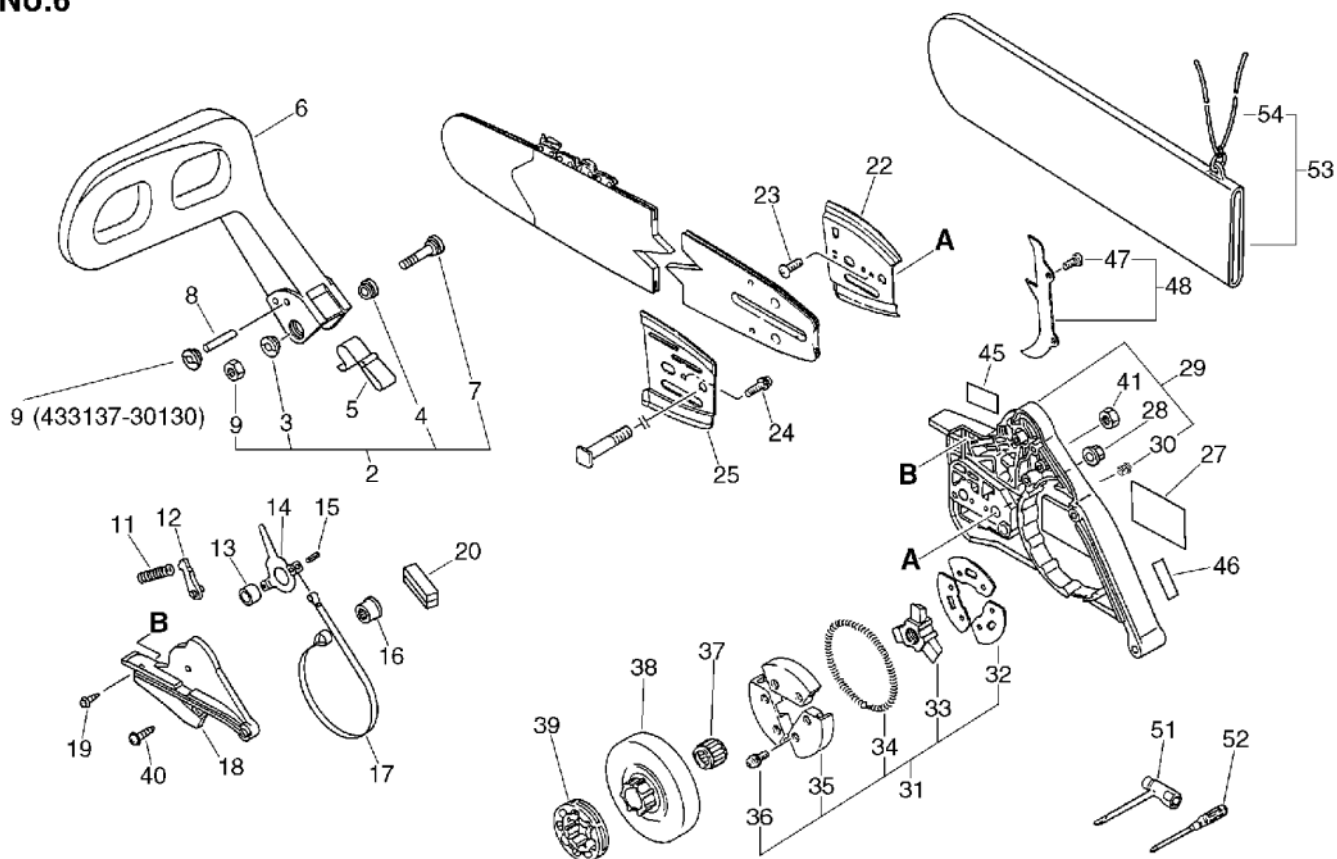
No.6



KEY	LV	PART NUMBER	Q'TY	DESCRIPTION	REMARKS	NOTE1	NOTE2
17		433123-38130	1	BAND, BRAKE		Sus. by 433123-38131	
17		433123-38131	1	BAND, BRAKE			
18		433310-38130	1	COVER, BRAKE			
19		900252-04012	2	SCREW 4*12	4*12		
20		433312-32630	1	COVER, SEAL			
22		433012-30830	1	PLATE, GUIDE (OUTER)			
23		900241-03006	2	SCREW 3*6	3*6		
24		900241-04008	1	SCREW 4*8	4*8		
25		433013-30830	1	PLATE, GUIDE (INNER)			
27		890118-38130	1	LABEL, ECHO			
28		433019-12330	2	NUT, FLANGE 8	M-8		
29		433005-38130	1	GUARD, SPROCKET		Sus. by P021-002282	
29		P021-002280	1	SPROCKET GUARD		Sus. by P021-002282	
29		P021-002281	1	SPROCKET GUARD		Sus. by P021-002282	
29		P021-002282	1	SPROCKET GUARD		Sus. by P021-002282	
30	+	V162-000020	1	PLUG		Can be needed for non-side-access type models	
31		175000-32431	1	CLUTCH ASSY		Sus. by 175000-32432	
31		175000-32432	1	CLUTCH ASSEMBLY			

6. Clutch, Sprocket, Tools

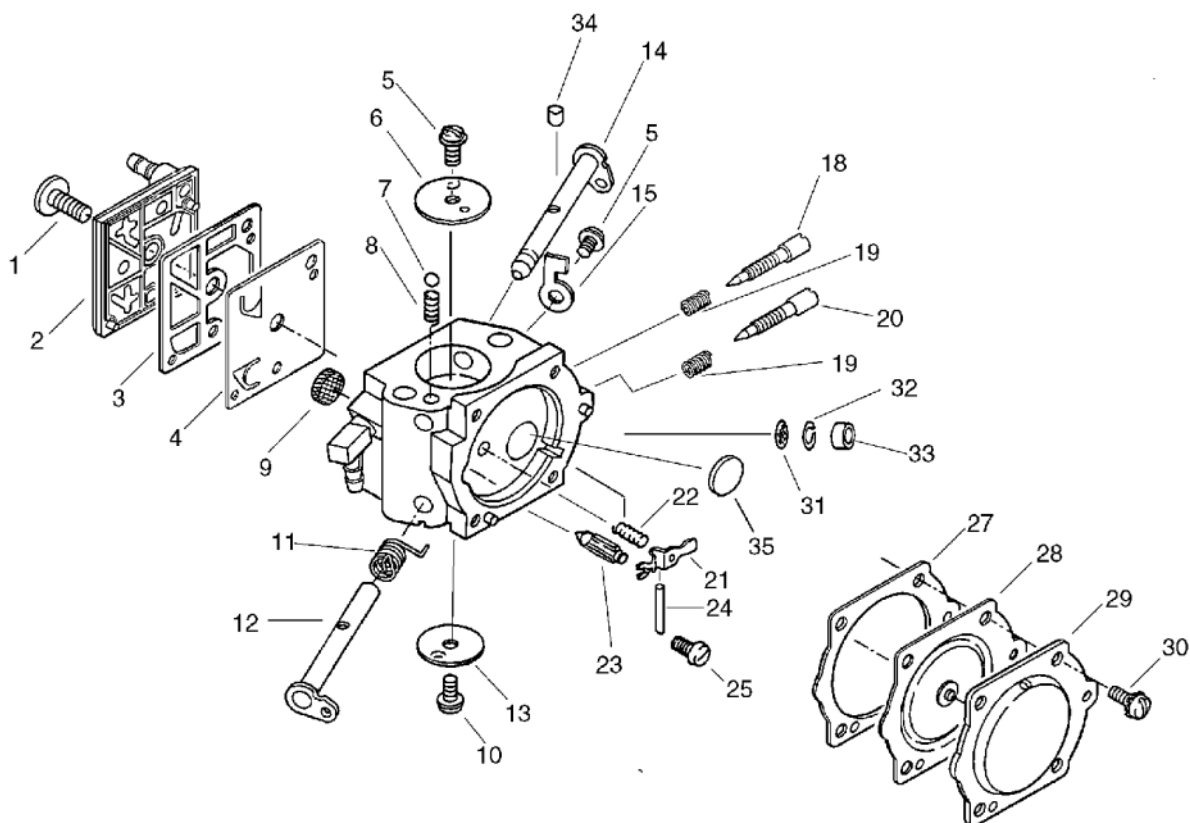
No.6



KEY	LV	PART NUMBER	Q'TY	DESCRIPTION	REMARKS	NOTE1	NOTE2
32	+	175019-16130	3	PLATE, CLUTCH			
33	+	175016-32430	1	HAB, CLUTCH			
34	+	175018-32430	1	SPRING, CLUTCH			
35	+	175002-32430	1	SHOE, CLUTCH		Sus. by 175002-32431	
35	+	175002-32431	1	SHOE, CLUTCH			
36	+	900105-04006	6	BOLT, H.S. 4*6	4*6		
37		175012-32430	1	BEARING, NEEDLE	12*18*12		
38		175105-32430	1	DRUM, CLUTCH			
39		175033-14731	1	SPROCKET, RIM 68210S			
40		900220-03018	1	SCREW (+SR 3*18)	3*18		
41		900500-00003	1	NUT 3	3		
45		890316-39130	1	LABEL, CAUTION			
46		890155-30130	1	LABEL, CAUTION			
48		880200-32430	1	BUMPER, SPIKED			
47	+	880211-30130	2	BOLT			
51		895410-02830	1	WRENCH, W/S. DRIVER			
52		895812-03930	1	DRIVER, SCREW 50			
53		898548-14531	1	SCABBARD, CHAIN			
54	+	898568-14530	1	ROPE	5*900		

7. Carburetor

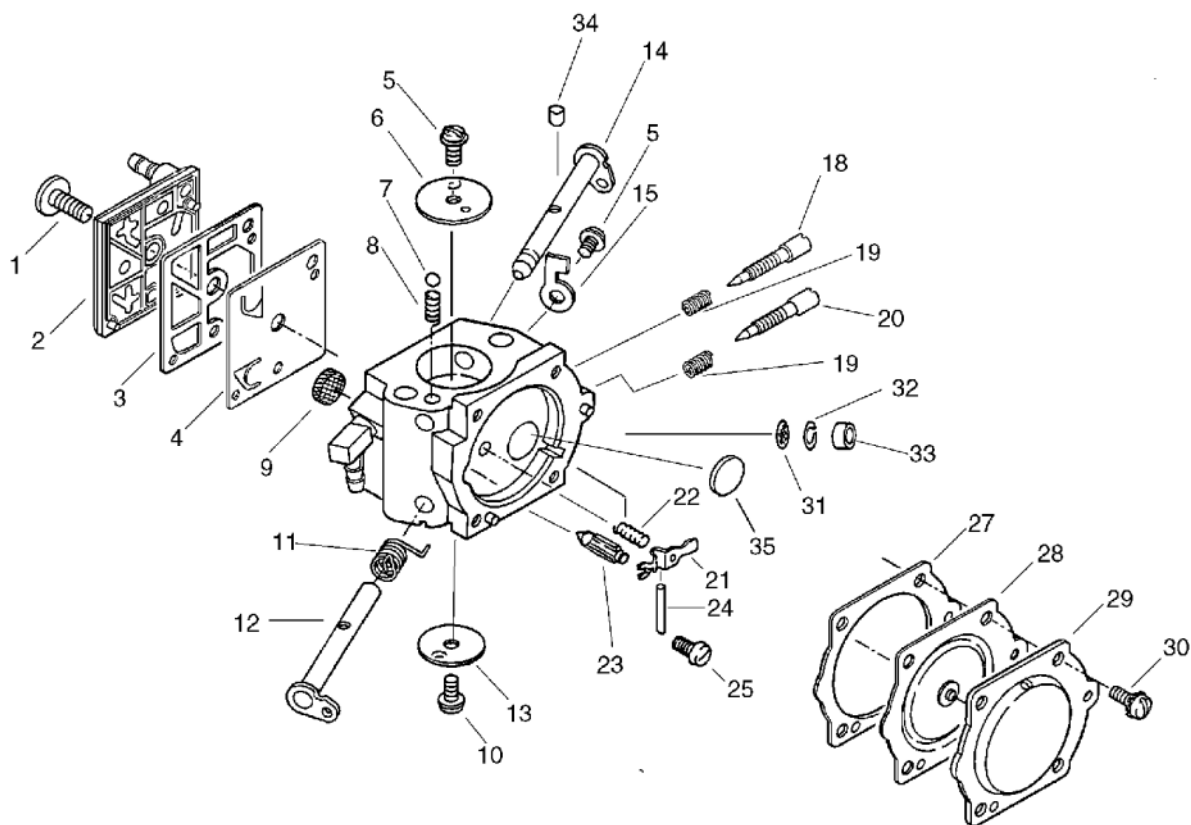
No.7



KEY	LV	PART NUMBER	Q'TY	DESCRIPTION	REMARKS	NOTE1	NOTE2
		123000-32432	1	CARBURETOR HDA-76	HDA-76		
1	+	123110-16130	1	SCREW, PUMP COVER			
2	+	123124-19830	1	COVER, FUEL PUMP			
3	+	123125-12330	1	GASKET, FUEL PUMP			
4	+	123112-12330	1	DIAPHRAGM, FUEL PUMP			
5	+	123114-03930	2	SCREW		Sus. by 123114-38830	
5	+	123114-38830	2	SCREW			
6	+	123132-32430	1	VALVE, CHOKE			
7	+	123136-10630	1	BALL, CHOKE FRICTION			
8	+	123135-10630	1	SPRING, CHOKE FRICT.			
9	+	123126-10631	1	SCREEN, INLET			
10	+	123154-10630	1	SCREW			
11	+	123113-16130	1	SPRING, THRT. RETURN			
12	+	123117-32630	1	SHAFT, THROTTLE			
13	+	123132-16130	1	VALVE, CHOKE			
14	+	123131-19830	1	SHAFT, CHOKE			
15	+	123156-12330	1	STOP, THROTTLE			
18	+	123120-32430	1	NEEDLE, HIGH SPEED			
19	+	123121-16130	2	SPRING, NEEDLE			
20	+	123118-18330	1	NEEDLE, IDLE			
21	+	123123-18330	1	LEVER, METERING			
22	+	123122-16130	1	SPRING, METER. LEVER			
23	+	123137-19830	1	VALVE, INLET NEEDLE			
24	+	123138-03930	1	PIN, METERING LEVER			
25	+	123139-03930	1	SCREW, M. LEVER PIN			

7. Carburetor

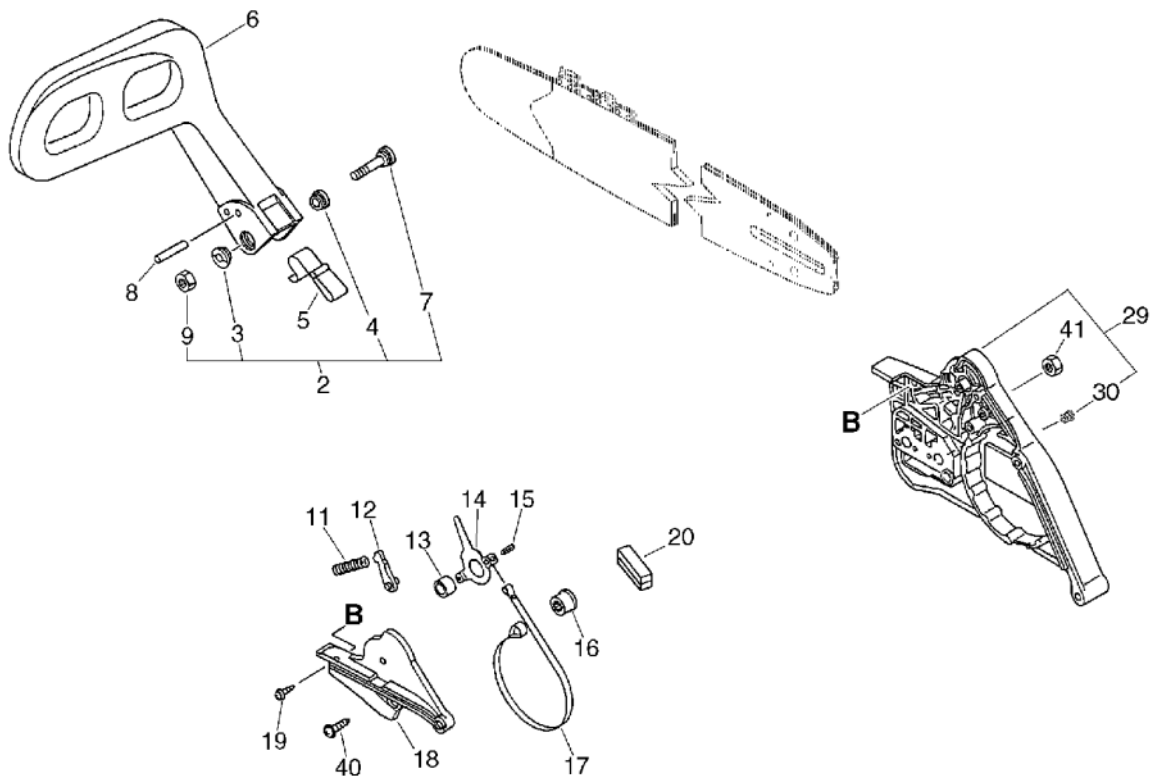
No.7



KEY	LV	PART NUMBER	Q'TY	DESCRIPTION	REMARKS	NOTE1	NOTE2
27	+	123140-16131	1	GASKET, M. DIAPHRAGM			
28	+	123141-16131	1	DIAPHRAGM, METERING			
29	+	123142-17330	1	COVER, M. DIAPHRAGM			
30	+	123130-02960	4	SCREW			
31	+	123168-10631	1	SCREEN			
32	+	123169-10630	1	RING, RETAINING			
33	+	123146-17330	1	PLUG, CUP			
34	+	123178-15030	1	PLUG, FRICTION			
35	+	123146-10631	1	PLUG, WELCH			

8. Chain Brake Asy

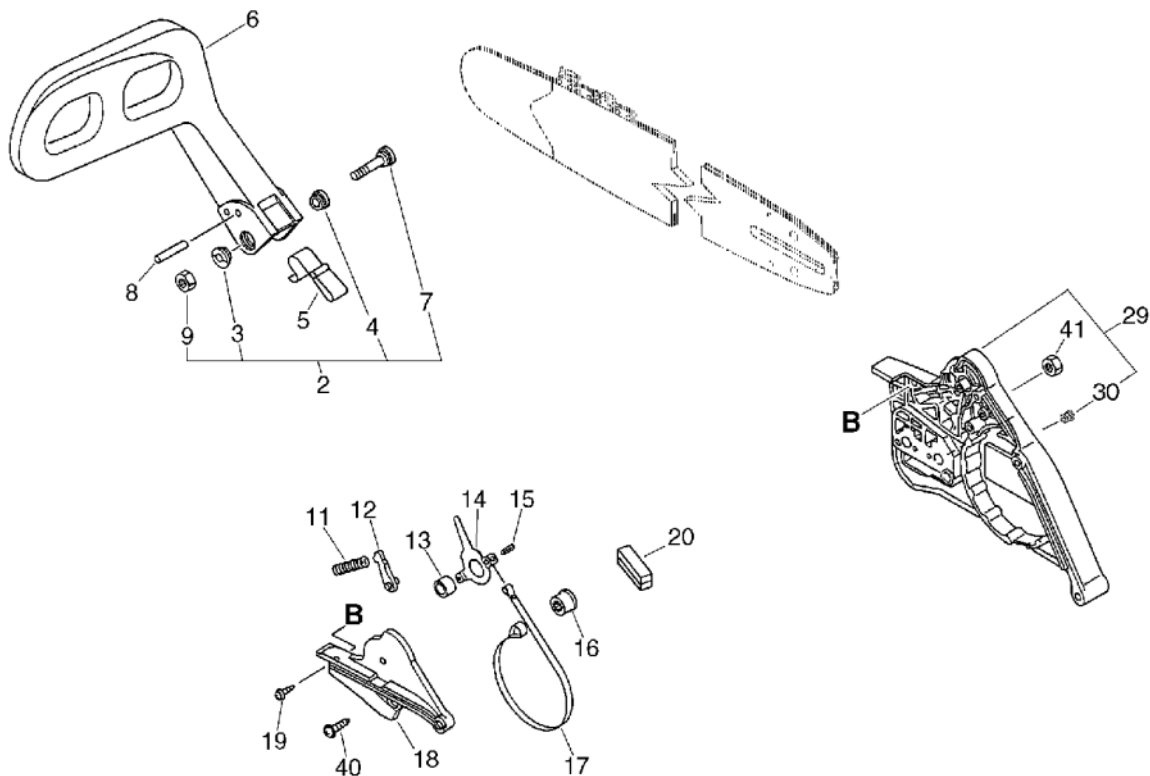
No.8



KEY	LV	PART NUMBER	Q'TY	DESCRIPTION	REMARKS	NOTE1	NOTE2
		433200-38131	1	BRAKE ASY, CHAIN		Sus. by 433200-38138	
		433200-38132	1	BRAKE ASY, CHAIN		Sus. by 433200-38138	
		433200-38133	1	BRAKE ASY, CHAIN		Sus. by 433200-38138	
		433200-38134	1	BRAKE ASY, CHAIN		Sus. by 433200-38138	
		433200-38138	1	BRAKE ASY, CHAIN			
2	+	433113-37538	1	SCREW KIT			
3	++	433167-39130	1	SPACER			
4	++	433167-39730	1	COLLAR 5			
7	++	900209-05035	1	SCREW	5*35		
9	++	900560-00005	1	NUT, LOCK 5	5		
5	+	433114-38131	1	SPRING			
6	+	433105-38130	1	LEVER, BRAKE		Sus. by 433105-38131	
6	+	433105-38131	1	LEVER, BRAKE			
8	+	900330-35260	1	PIN 3.5*26	3.5*26		
11	+	433122-38130	1	SPRING, BRAKE			
12	+	433209-35430	1	STOPPER, BRAKE			
13	+	433116-35430	1	SPACER 8	8*12*9		
14	+	433208-35431	1	LEVER, BRAKE			
15	+	900330-40088	1	ROLLER 4*8.8	4*8.8		
16	+	433142-35430	1	ADJUSTER, BRAKE			

8. Chain Brake Asy

No.8



KEY	LV	PART NUMBER	Q'TY	DESCRIPTION	REMARKS	NOTE1	NOTE2
17	+	433123-38130	1	BAND, BRAKE		Sus. by 433123-38131	
17	+	433123-38131	1	BAND, BRAKE			
18	+	433310-38130	1	COVER, BRAKE			
19	+	900252-04012	2	SCREW 4*12	4*12		
20	+	433312-32630	1	COVER, SEAL			
29	+	433005-38130	1	GUARD, SPROCKET		Sus. by P021-002282	
29	+	P021-002280	1	SPROCKET GUARD		Sus. by P021-002282	
29	+	P021-002281	1	SPROCKET GUARD		Sus. by P021-002282	
29	+	P021-002282	1	SPROCKET GUARD			
30	++	V162-000020	1	PLUG		Can be needed for non-side-access type models	
40	+	900220-03018	1	SCREW (+-SR 3*18)	3*18		
41	+	900500-00003	1	NUT 3	3		

Index

Patrs Number	Key No.	Patrs Number	Key No.	Patrs Number	Key No.
100000-32431	1 - 6	123130-02960	7 - 30	132013-26630	4 - 43
100000-32432	1 - 6	123131-19830	7 - 14	132013-26630	5 - 10
100011-32430	1 - 7	123132-16130	7 - 13	132115-01461	5 - 5
100011-32431	1 - 7	123132-32430	7 - 6	132115-12330	4 - 9
100012-32430	1 - 10	123135-10630	7 - 8	145510-32431	2 - 49
100013-32430	1 - 8	123136-10630	7 - 7	145610-32430	2 - 50
100015-00230	1 - 9	123137-19830	7 - 23	145711-32430	2 - 51
100100-32430	1 - 32	123138-03930	7 - 24	145813-31730	2 - 61
100142-30830	1 - 33	123139-03930	7 - 25	145861-32430	2 - 54
100143-19830	3 - 7	123140-16131	7 - 27	150611-32430	3 - 50
100204-32432	1 - 20	123141-16131	7 - 28	156114-04920	2 - 38
100204-32433	1 - 20	123142-17330	7 - 29	156601-32631	3 - 29
100204-32434	1 - 20	123146-10631	7 - 35	156635-32430	2 - 42
100204-32435	1 - 20	123146-17330	7 - 33	156800-32631	3 - 5
100212-19830	1 - 28	123154-10630	7 - 10	159011-03432	3 - 24
100212-32430	1 - 22	123156-12330	7 - 15	159012-03433	3 - 23
100215-02830	1 - 25	123168-10631	7 - 31	159017-31730	3 - 25
100242-32430	1 - 27	123169-10630	7 - 32	162021-32430	2 - 35
100251-32430	1 - 29	123178-15030	7 - 34	163400-32430	2 - 33
100905-32331	5 - 46	129010-32430	2 - 62	175000-32431	6 - 31
100910-32430	5 - 12	129013-30831	2 - 15	175000-32432	6 - 31
100915-32530	5 - 85	130110-19830	2 - 20	175002-32430	6 - 35
100915-33930	5 - 17	130111-00530	5 - 83	175002-32431	6 - 35
100917-32430	1 - 31	130300-38130	2 - 12	175012-32430	6 - 37
100918-19830	5 - 15	130302-38131	2 - 4	175016-32430	6 - 33
100921-32431	5 - 41	130306-06062	2 - 37	175018-32430	6 - 34
101001-32431	1 - 3	130320-32630	2 - 85	175019-16130	6 - 32
101010-32431	1 - 4	130325-39730	2 - 13	175033-14731	6 - 39
101506-32633	1 - 45	130338-32430	2 - 7	175105-32430	6 - 38
101506-32634	1 - 45	130365-32430	2 - 9	177201-32436	3 - 32
101521-32330	3 - 6	130405-38130	2 - 11	177215-32330	3 - 35
101535-32430	3 - 31	130406-33331	2 - 5	177218-32630	3 - 11
101535-32431	3 - 31	130420-38131	2 - 14	177220-02834	3 - 38
123000-32432	2 - 25	130510-32430	1 - 13	177221-02830	3 - 39
123000-32432	7 -	130516-30830	1 - 12	177221-07060	3 - 37
123110-16130	7 - 1	130518-32431	2 - 24	177226-07060	3 - 36
123112-12330	7 - 4	131004-19831	5 - 35	177227-07060	3 - 42
123113-16130	7 - 11	131050-19830	1 - 37	177228-30830	3 - 41
123114-03930	7 - 5	131050-19830	5 - 37	177234-19830	3 - 9
123114-38830	7 - 5	131051-19830	1 - 39	177234-19831	3 - 9
123117-32630	7 - 12	131051-19830	5 - 39	177234-19832	3 - 9
123118-18330	7 - 20	131205-19830	5 - 9	177247-19830	3 - 10
123120-32430	7 - 18	131300-56430	5 - 80	178010-19830	5 - 23
123121-16130	7 - 19	131312-32430	5 - 82	178011-32630	2 - 30
123122-16130	7 - 22	131328-40630	5 - 81	178043-19830	5 - 22
123123-18330	7 - 21	131329-32330	5 - 30	178073-32430	5 - 21
123124-19830	7 - 2	132010-30830	5 - 8	178090-30130	5 - 20
123125-12330	7 - 3	132011-19830	5 - 7	178114-32630	2 - 32
123126-10631	7 - 9	132012-19830	5 - 6	178302-12330	5 - 34

Index

Patrs Number	Key No.	Patrs Number	Key No.	Patrs Number	Key No.
178510-32330	2 - 29	433200-38132	8 -	880211-30130	6 - 47
178810-33330	2 - 63	433200-38133	8 -	890112-38130	3 - 45
178810-33331	2 - 63	433200-38134	8 -	890118-17930	3 - 45
351103-32431	5 - 32	433200-38138	8 -	890118-38130	6 - 27
351103-32432	5 - 32	433208-35431	6 - 14	890151-38130	2 - 3
351103-32433	5 - 32	433208-35431	8 - 14	890155-30130	6 - 46
351111-30130	5 - 25	433209-35430	6 - 12	890157-19830	2 - 34
351155-30131	5 - 19	433209-35430	8 - 12	890157-39130	5 - 47
351155-35430	5 - 19	433310-38130	6 - 18	890316-39130	6 - 45
351603-38130	5 - 44	433310-38130	8 - 18	890345-39230	1 - 49
351606-38130	5 - 43	433312-32630	6 - 20	890631-38130	1 - 50
351614-38130	5 - 42	433312-32630	8 - 20	895410-02830	6 - 51
433000-19831	1 - 17	436001-19833	1 - 35	895812-03930	6 - 52
433005-38130	6 - 29	436114-13930	1 - 23A	898548-14531	6 - 53
433005-38130	8 - 29	436114-13930	1 - 23B	898568-14530	6 - 54
433011-19830	1 - 21	436205-14730	4 - 11	900105-04006	6 - 36
433012-30830	6 - 22	437002-37530	4 - 49	900162-04010	2 - 55
433013-30830	6 - 25	437006-32330	4 - 55	900162-04012	4 - 16
433014-02830	1 - 16	437009-35430	4 - 51	900162-04020	3 - 18
433016-11031	1 - 14	437012-00330	4 - 23	900162-05014	1 - 34
433019-12330	6 - 28	437013-00330	4 - 24	900162-05014	1 - 34
433028-11030	1 - 15	437015-19830	4 - 13	900162-05014	2 - 52
433105-38130	6 - 6	437020-32430	4 - 56	900162-05014	3 - 13
433105-38130	8 - 6	437030-19830	4 - 53	900162-05014	5 - 14
433105-38131	6 - 6	437039-19831	4 - 12	900162-05014	5 - 45
433105-38131	8 - 6	437062-19830	4 - 54	900162-05020	1 - 5
433113-37530	6 - 7	437063-19930	4 - 5	900162-05020	2 - 44
433113-37538	6 - 2	437065-19830	4 - 52	900162-05020	2 - 48
433113-37538	8 - 2	437066-30130	4 - 1	900162-05035	1 - 30
433114-38130	6 - 5	437100-19831	4 - 19	900209-05035	6 - 7
433114-38131	6 - 5	437100-19832	4 - 19	900209-05035	8 - 7
433114-38131	8 - 5	437110-19831	4 - 20	900220-03018	6 - 40
433116-35430	6 - 13	437111-19830	4 - 27	900220-03018	8 - 40
433116-35430	8 - 13	437112-19831	4 - 25	900220-05018	1 - 18
433122-38130	6 - 11	437118-19830	4 - 21	900238-04014	5 - 18
433122-38130	8 - 11	437121-10130	4 - 29	900238-05014	1 - 40
433123-38130	6 - 17	437122-03430	4 - 22	900238-05014	3 - 33
433123-38130	8 - 17	437210-15130	4 - 18	900238-05020	1 - 44
433123-38131	6 - 17	437210-32430	4 - 10	900238-05020	3 - 14
433123-38131	8 - 17	437210-38330	4 - 10	900241-03006	6 - 23
433137-30130	6 - 9	437211-32430	4 - 42	900241-04008	6 - 24
433142-35430	6 - 16	437212-32430	4 - 41	900242-04008	1 - 41
433142-35430	8 - 16	437212-32630	4 - 39	900242-04008	3 - 27
433162-19930	2 - 87	437216-32630	4 - 37	900246-03008	1 - 38
433167-39130	6 - 3	437217-20760	5 - 6	900246-03008	5 - 38
433167-39130	8 - 3	437232-32630	4 - 38	900246-05014	2 - 21
433167-39730	6 - 4	437413-19830	4 - 31	900252-04010	2 - 43
433167-39730	8 - 4	437605-32430	4 - 17	900252-04012	6 - 19
433200-38131	8 -	880200-32430	6 - 48	900252-04012	8 - 19

Index

Patrs Number	Key No.	Patrs Number	Key No.	Patrs Number	Key No.
900252-05020	4 - 30				
900252-05053	2 - 22				
900300-30018	2 - 86				
900330-35260	6 - 8				
900330-35260	8 - 8				
900330-40088	6 - 15				
900330-40088	8 - 15				
900342-50025	5 - 24				
900345-20016	4 - 28				
900345-50010	1 - 24				
900500-00003	6 - 41				
900500-00003	8 - 41				
900500-00008	3 - 8				
900560-00005	6 - 9				
900560-00005	8 - 9				
900600-00005	1 - 19				
900603-00005	3 - 12				
900603-00005	3 - 34				
900603-00005	4 - 33				
900700-00003	4 - 14				
900720-00003	4 - 15				
900720-00003	4 - 50				
900720-00007	4 - 26				
900720-00011	2 - 8				
900720-00021	2 - 6				
900720-20007	2 - 16				
900720-20029	5 - 36				
900725-02025	1 - 36				
900810-36202	1 - 26				
C454-000000	2 - 30				
P021-002280	6 - 29				
P021-002280	8 - 29				
P021-002281	6 - 29				
P021-002281	8 - 29				
P021-002282	6 - 29				
P021-002282	8 - 29				
V150-000570	1 - 40				
V162-000020	6 - 30				
V162-000020	8 - 30				
V450-000290	4 - 24				

YAMABIKO CORPORATION

7-2 SUEHIROCHO 1-CHOME, OHME, TOKYO 198-8760, JAPAN
PHONE: 81-428-32-6118. FAX: 81-428-32-6145.



(CE)
No.