

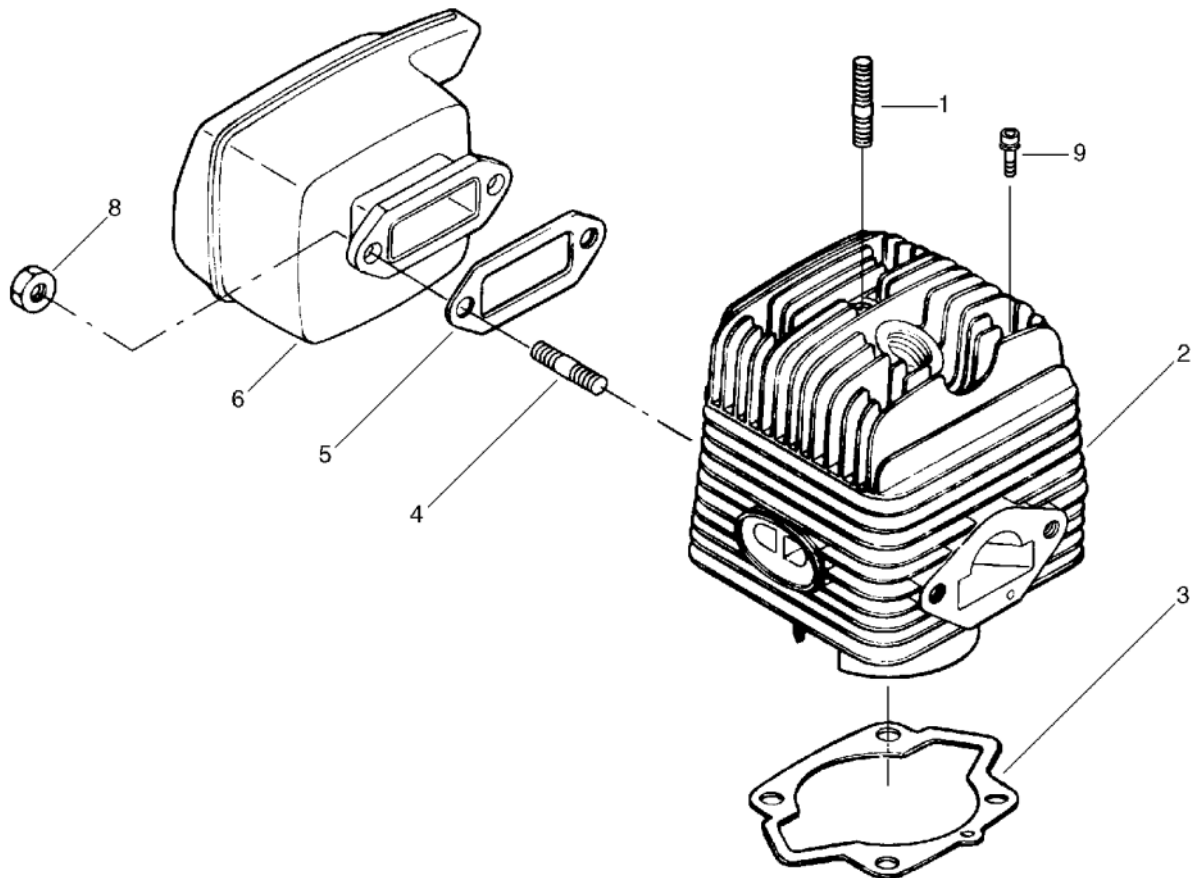


PARTS CATALOGUE

CHAIN SAW CS-60S

1. Cylinder, Muffler

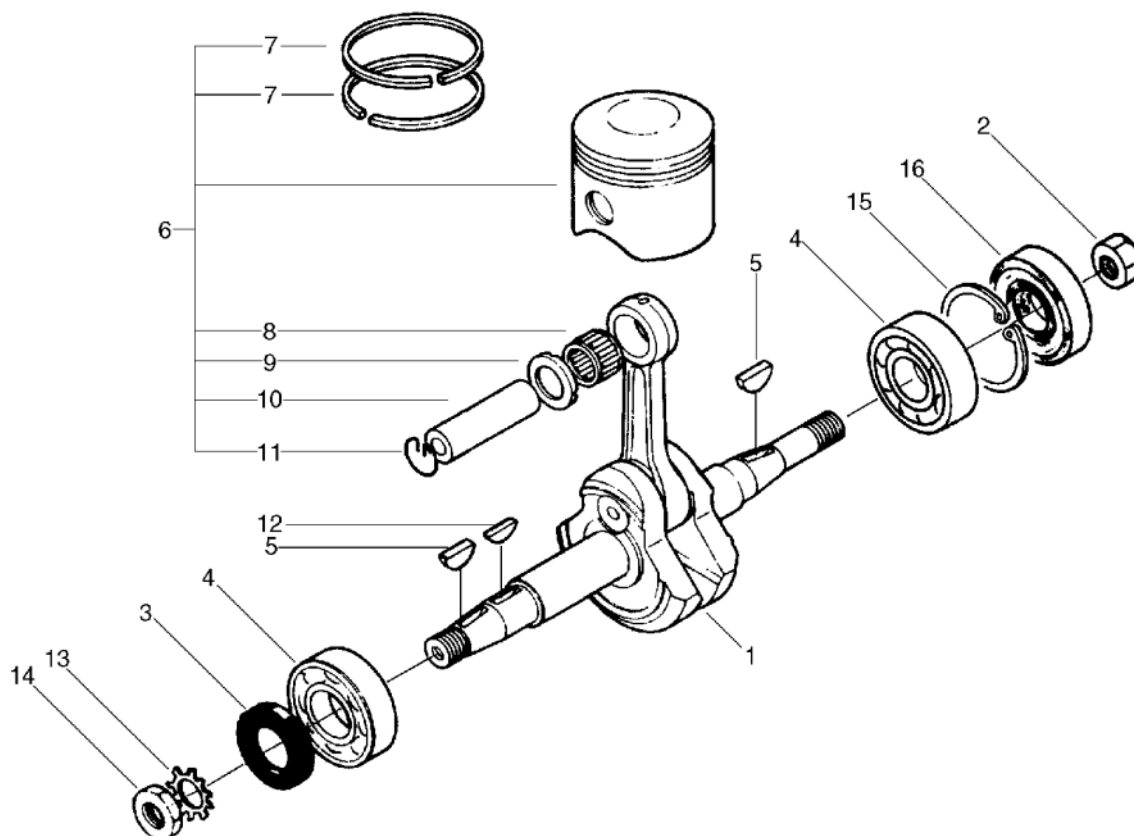
No.1



KEY	LV	PART NUMBER	Q'TY	DESCRIPTION	REMARKS	NOTE1	NOTE2
1		101020-00331	1	STUD, CYL. COVER(ISO)			
2		101000-00333	1	CYLINDER			
3		101010-00231	1	GASKET, CYL. BASE			
4		101014-00230	2	STUD, MUFFLER			
5		145510-00231	1	GASKET, MUFFLER			
6		145605-00330	1	MUFFLER (SL)			
8		145713-00630	2	LOCKNUT 6			
9		100219-00330	4	BOLT	6*25		

2. Crankshaft, Piston

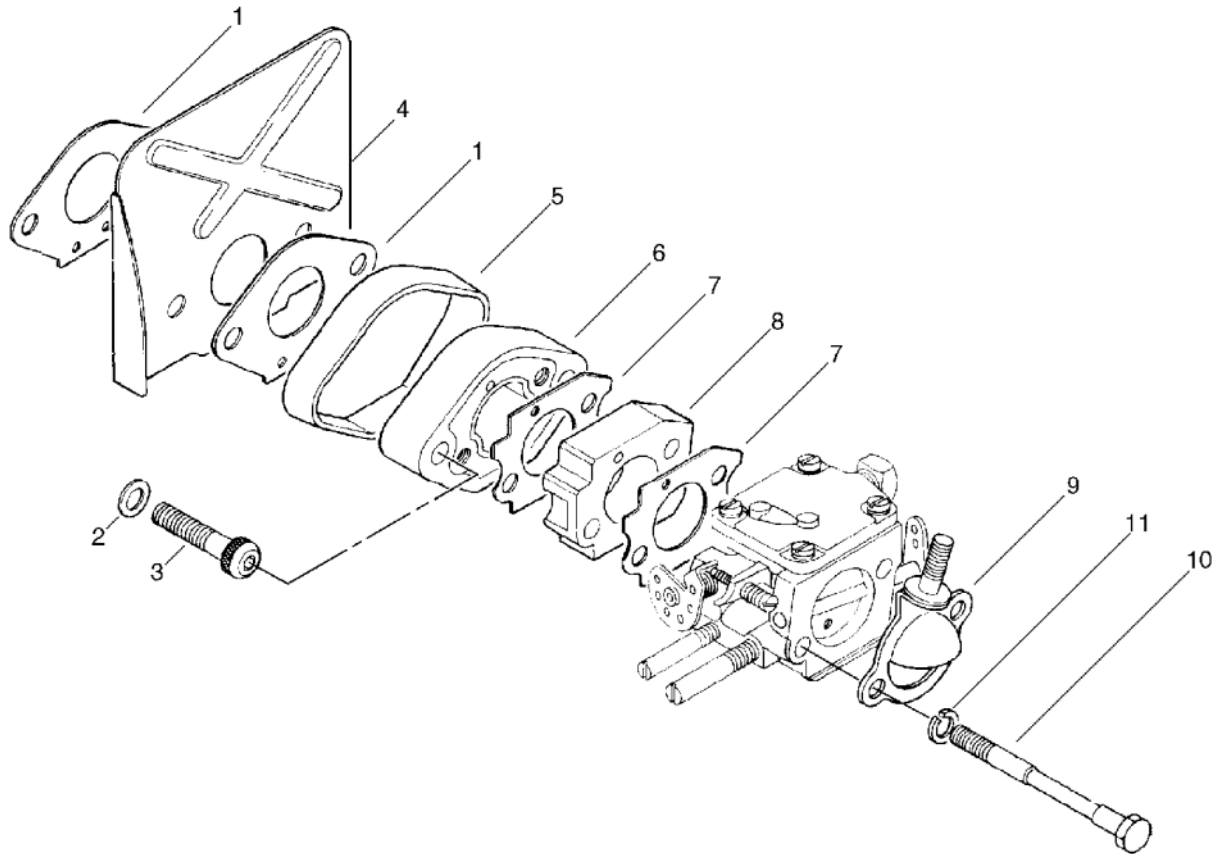
No.2



KEY	LV	PART NUMBER	Q'TY	DESCRIPTION	REMARKS	NOTE1	NOTE2
1		100100-00330	1	CRANKSHAFT ASSY			
2		100129-00230	1	NUT (S)			
3		100213-00330	1	OILSEAL ISMX 17 30 6	ISMX 17 30 6	Knock down parts of 8-15	
4		900810-36203	2	BEARING, BALL 6203	6203/C3		
5		900322-03014	2	KEY, WOODRUFF 3*14	3*14	Sus. by 900323-03014	
5		900323-03014	2	KEY WOODRUFF	3*14		
6		100000-00330	1	PISTON KIT			
7	+	100011-00230	2	RING, PISTON			
8	+	100012-00230	1	BEARING, NEEDLE			
9	+	100014-00230	2	SPACER, PISTON PIN			
10	+	100013-00230	1	PIN, PISTON	6*12*40.8		
11	+	100015-00230	2	CIRCLIP, PISTON PIN			
12		100142-00330	1	KEY, WOODRUFF (M)			
13		100143-00230	1	WASHER (TWB 7/16)			
14		100144-00230	1	NUT (M)			
15		900702-00040	1	CIRCLIP 40	CR-40	Knock down parts of 8-15	
16		100212-12130	1	OILSEAL	ISCMD17*40*6	Knock down parts of 8-15	

3. Insulator

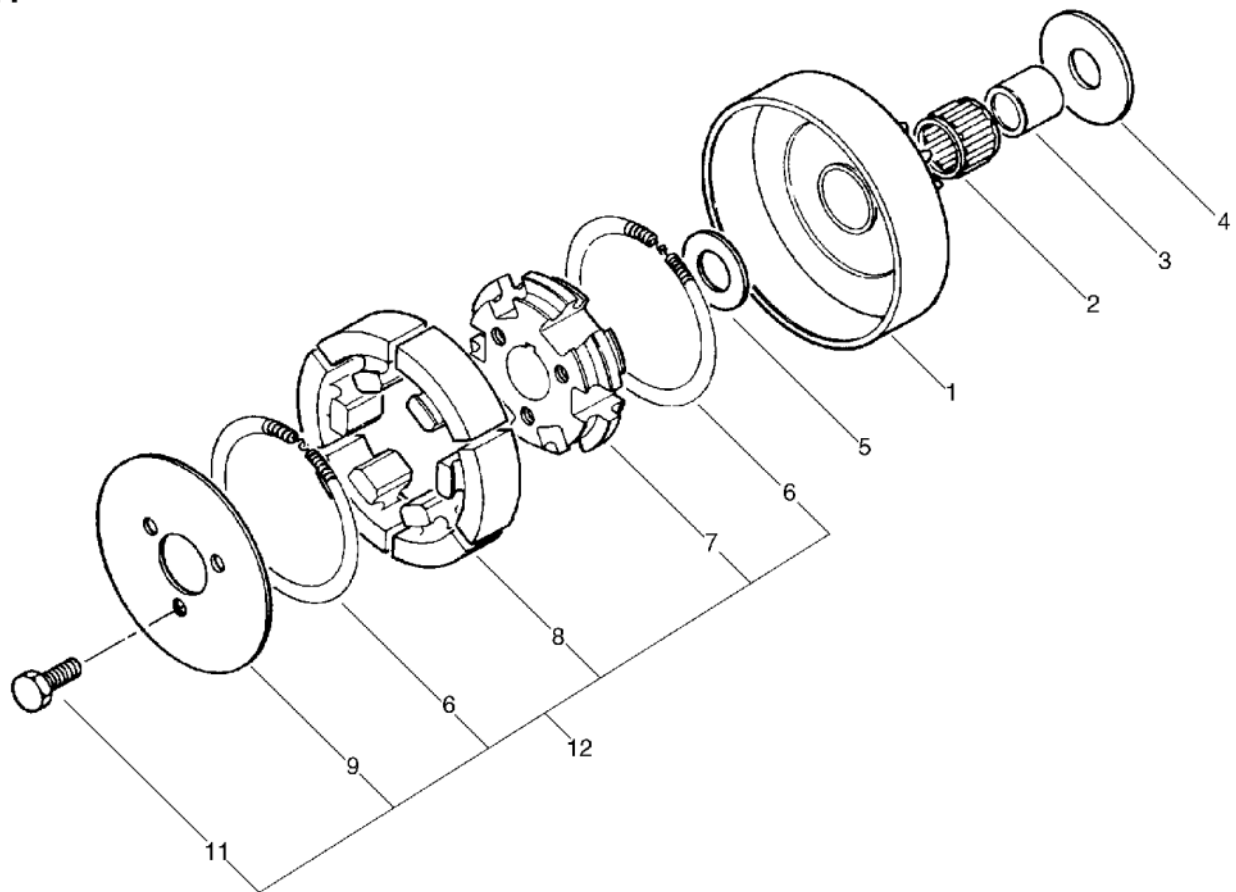
No.3



KEY	LV	PART NUMBER	Q'TY	DESCRIPTION	REMARKS	NOTE1	NOTE2
1		130010-00230	2	GASKET, CARBURETOR			
2		433015-00230	2	WASHER			
3		900105-06028	2	BOLT, H.S. 6*28	6*28		
4		130011-00230	1	PLATE, WIND PROOF			
5		130012-00230	1	SEAL, DUST			
6		130005-00331	1	BED, CARBURETOR			
7		130016-00330	2	GASKET, CARBURETOR			
8		130017-00330	1	INSULATOR			
9		130405-00331	1	BRACKET, AIR CLEANER			
10		130021-00331	2	BOLT (ISO)			
11		900605-00005	2	WASHER, SPRING 5	5		

4. Clutch

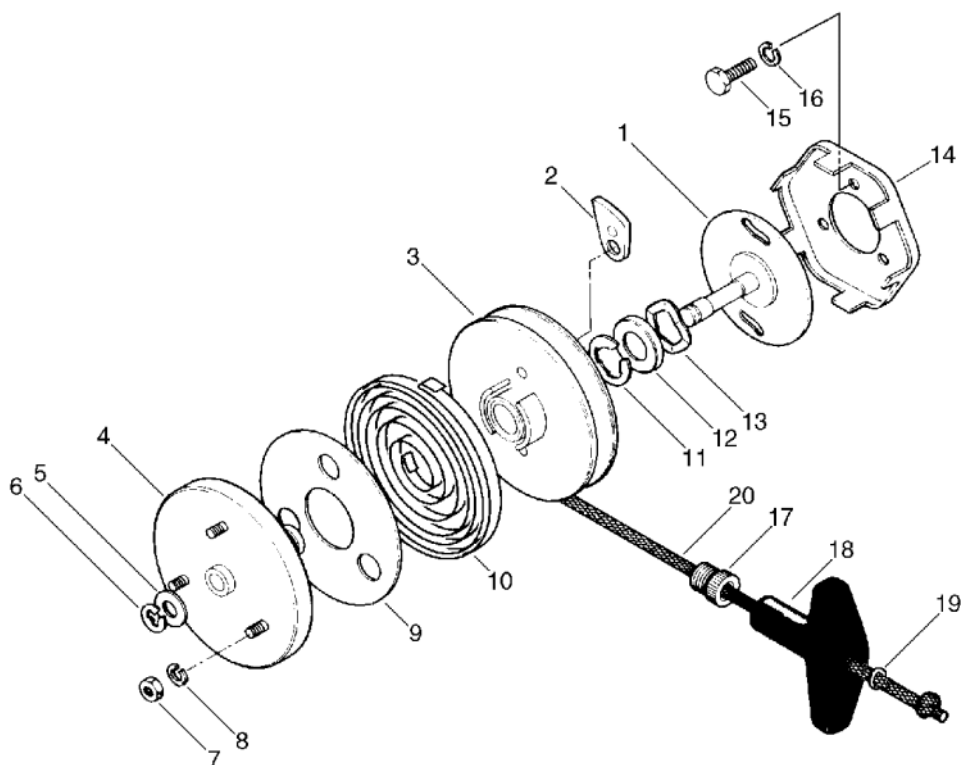
No.4



KEY	LV	PART NUMBER	Q'TY	DESCRIPTION	REMARKS	NOTE1	NOTE2
12		175000-00331	1	CLUTCH ASS'Y			
6	+	175018-00230	2	SPRING, CLUTCH			
7	+	175016-00330	1	HUB, CLUTCH			
8	+	175017-00230	6	SHOE, CLUTCH			
9	+	175019-00230	1	PLATE, CLUTCH			
11	+	900141-05010	3	BOLT 5*10	5*10		
1		175005-00230	1	DRUM, CLUTCH (3/8)			
2		175012-00230	1	BEARING, NEEDLE			
3		175013-00230	1	SPACER, CLUTCH DRUM			
4		175014-00230	1	WASHER, CLUTCH (O)			
5		175015-00230	1	WASHER, CLUTCH			

5. Starter

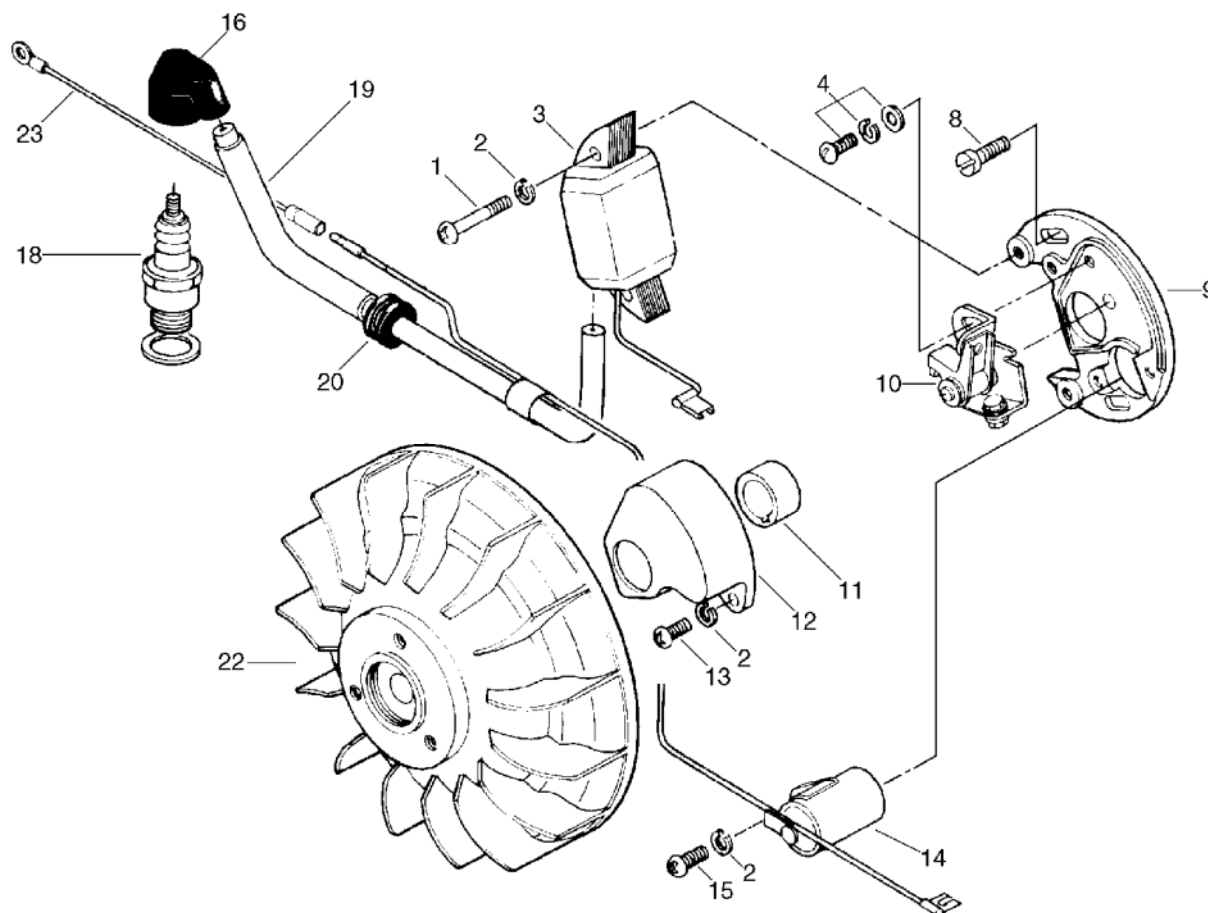
No.5



KEY	LV	PART NUMBER	Q'TY	DESCRIPTION	REMARKS	NOTE1	NOTE2
		177200-00630	1	STARTER ASS'Y			
1	+	177205-00230	1	PLATE, GUIDE			
2	+	177218-00231	2	PAWL, STARTER			
3	+	177206-00330	1	DRUM, STARTER			
4	+	177208-00630	1	CASE, SPRING			
5	+	177225-00230	1	WASHER, ADJUSTMENT			
6	+	900700-00006	1	E-RING 6	CE-6		
9	+	177221-00230	1	PLATE, STARTER			
10	+	177220-00230	1	SPRING, REWIND			
11	+	900700-00012	1	E-RING 12	CE-12		
12	+	177214-00230	1	WASHER			
13	+	177213-00230	1	WASHER			
20	+	177226-07060	1	ROPE, STARTER	4.0*950		
7		900502-00005	3	NUT 5 (3N)	3N5		
8		900605-00005	3	WASHER, SPRING 5	5		
14		177210-00230	1	CATCHER, PAWL			
15		900100-06012	3	BOLT 6*12	6*12		
16		900605-00006	3	WASHER, SPRING 6	6		
17		177227-00230	1	GUIDE, ROPE		Sus. by 177227-05330	
17		177227-05330	1	GUIDE, ROPE			
18		177228-12330	1	GRIP, STARTER			
19		177229-14330	1	WASHER			

6. Magneto

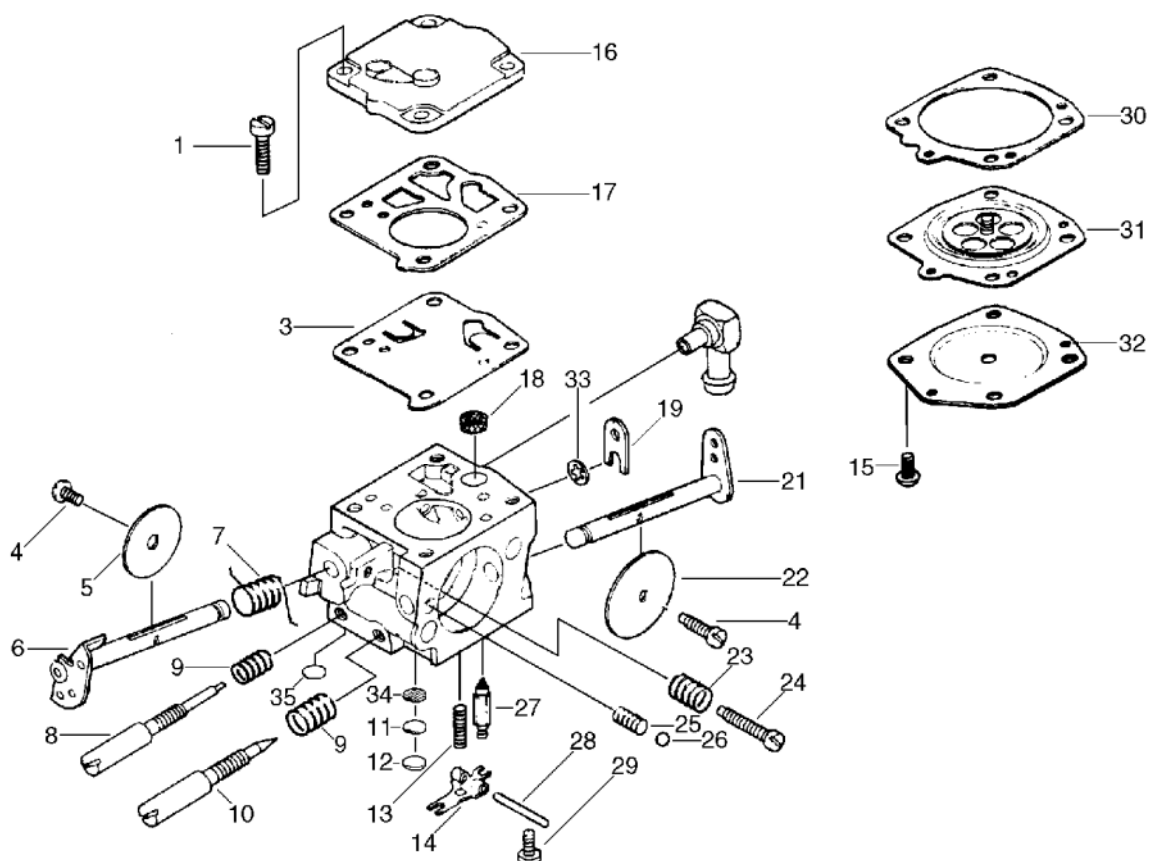
No.6



KEY	LV	PART NUMBER	Q'TY	DESCRIPTION	REMARKS	NOTE1	NOTE2
		150100-00331	1	STATOR ASS'Y			
1	+	900220-04022	2	SCREW 4*22	4*22		
2	+	900605-00004	5	WASHER, SPRING 4	4		
3	+	150126-00331	1	COIL, IGNITION			
4	+	900242-04008	1	SCREW	4*8		
9	+	150132-00230	1	PLATE, STATOR			
10	+	150101-00230	1	POINTS, BREAKER			
11	+	150310-00230	1	CAM			
12	+	150128-00330	1	COVER, BREAKER			
13	+	900220-04012	2	SCREW 4*12	4*12		
14	+	150127-00331	1	CONDENSER			
15	+	900220-04008	1	SCREW 4*8	4*8		
8		900242-05015	2	SCREW 5*15	5*15		
16		159005-00331	1	CAP, SPARK PLUG			
18		159010-00330	1	PLUG, SPARK (BM-6A)	BM-6A		
19		150111-00430	1	TUBE	8*9*200		
20		150110-00230	1	BUSHING			
22		150200-00330	1	FLYWHEEL			
23		150133-00330	1	LEAD			

7. Carburetor

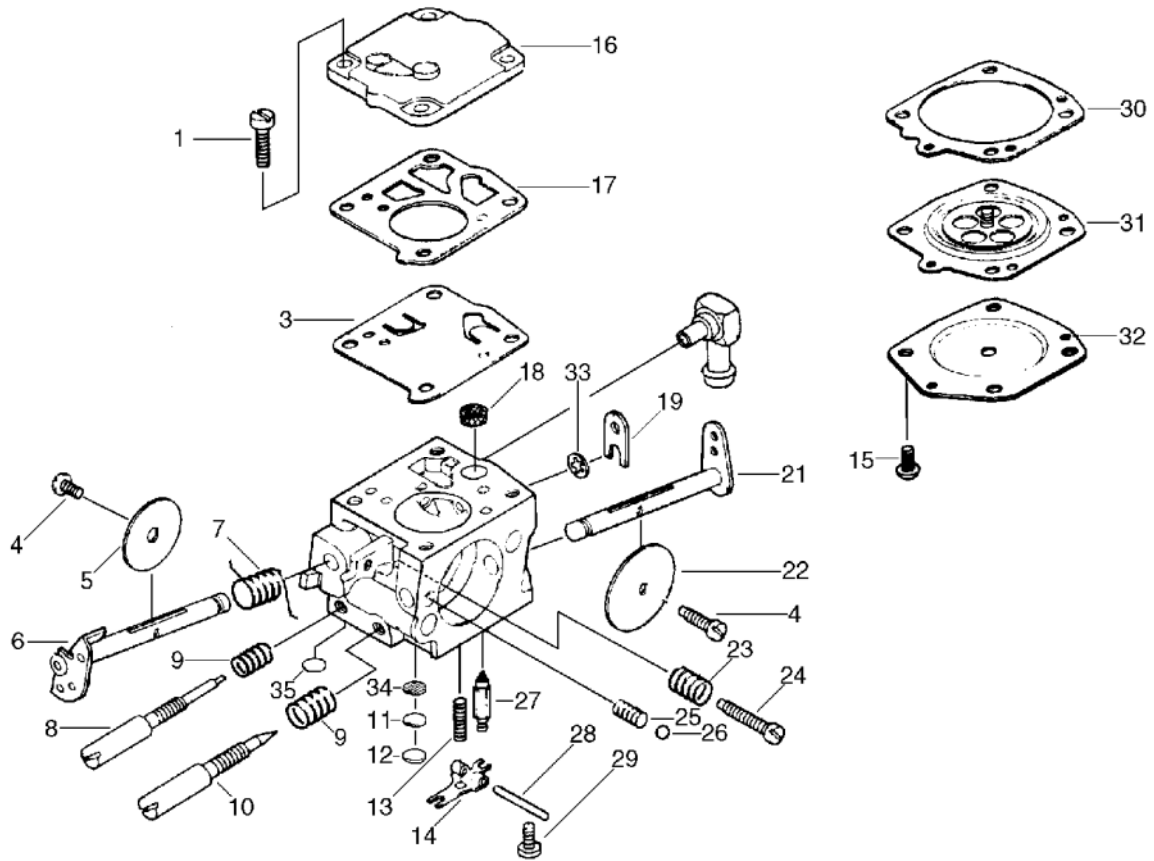
No.7



KEY	LV	PART NUMBER	Q'TY	DESCRIPTION	REMARKS	NOTE1	NOTE2
		122000-00231	1	CARBURETOR ASSY	HS-25A	Sus. by 122000-00232	
		122000-00232	1	CARBURETOR ASSY	HS-25B		
1	+	122110-00231	4	SCREW			
3	+	122112-00230	1	DIAPHRAGM, PUMP			
4	+	122114-00231	2	SCREW			
5	+	122116-00230	1	BUTTERFLY, THROTTLE			
6	+	122117-00231	1	SHAFT, THROTTLE			
7	+	122113-00230	1	SPRING, RETURN			
8	+	122118-00230	1	NEEDLE, IDLE			
9	+	122119-10630	2	SPRING, NEEDLE			
10	+	122120-00230	1	NEEDLE, HIGH SPEED			
11	+	122169-10330	1	RING, RETAINING			
12	+	122146-00230	1	PLUG, WELCH (S)			
13	+	122122-00230	1	SPRING, TENSION			
14	+	122123-00230	1	LEVER, INLET CONTROL			
15	+	122144-00231	4	SCREW & LOCKWASHER			
16	+	122124-00230	1	COVER, FUEL PUMP			
17	+	122125-00230	1	GASKET, PUMP			
18	+	122126-00230	1	SCREEN, FUEL			
19	+	122127-00330	1	CLIP, THROTTLE SHAFT			
21	+	122131-00231	1	SHAFT, CHOKE			
22	+	122132-10630	1	BUTTERFLY, CHOKE			
23	+	122133-00230	1	SPRING			
24	+	122134-00230	1	SCREW, IDLE ADJUST			
25	+	122135-00230	1	SPRING, CHOKE SET			

7. Carburetor

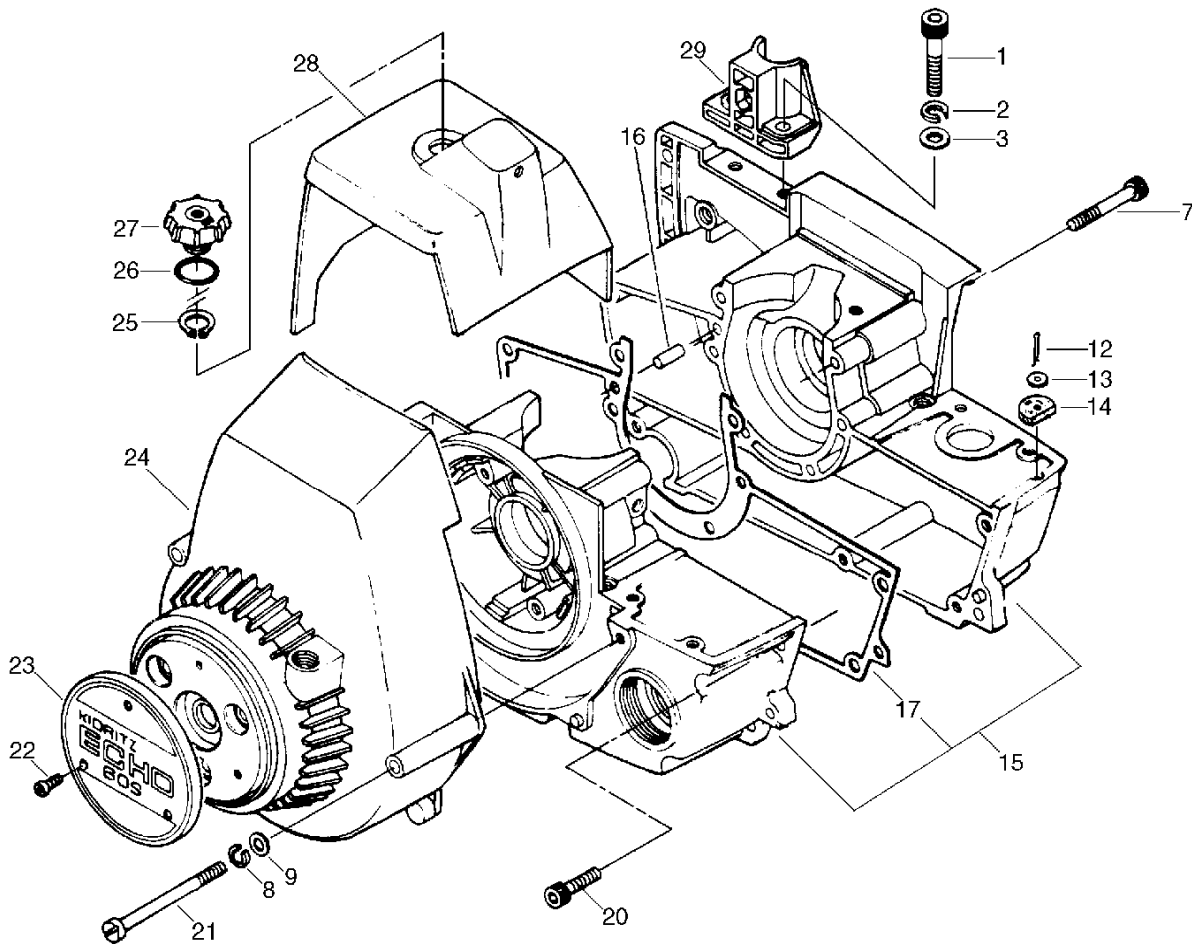
No.7



KEY	LV	PART NUMBER	Q'TY	DESCRIPTION	REMARKS	NOTE1	NOTE2
26	+	122136-00230	1	BALL, CHOKE SET			
27	+	122137-00230	1	NEEDLE, INLET			
28	+	122138-00230	1	SHAFT, LEVER			
29	+	122139-00231	1	SCREW			
30	+	122140-00230	1	GASKET, DIAPHRAGM			
31	+	122141-00230	1	DIAPHRAGM			
32	+	122142-00230	1	COVER, DIAPHRAGM			
33	+	122149-00330	1	WASHER			
34	+	122126-00830	1	SCREEN, FUEL			
35	+	122145-00230	1	PLUG, WELCH (L)			

8. Crankcase

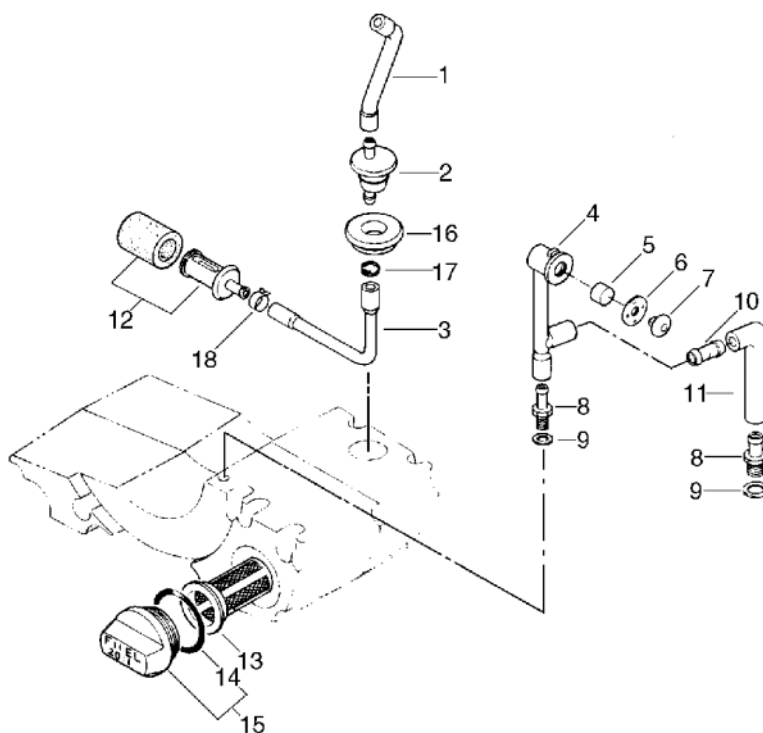
No.8



KEY	LV	PART NUMBER	Q'TY	DESCRIPTION	REMARKS	NOTE1	NOTE2
1		900105-06025	2	BOLT, H.S. 6*25	6*25		
2		900605-00006	2	WASHER, SPRING 6	6		
3		900600-00006	2	WASHER 6	6		
7		900162-05035	6	BOLT, H.S. 5*35	5*35 W,SW		
8		900605-00005	3	WASHER, SPRING 5	5		
9		900600-00005	3	WASHER 5	5		
12		900300-20015	1	PIN, SPLIT 2*15	P-2*15		
13		900600-00002	1	WASHER 2	2		
14		131410-00330	1	PACKING, FELT			
15		100204-00331	1	CRANKCASE KIT (BS)			
16	+	100215-02830	2	PIN, DOWEL			
17	+	100242-00332	1	GASKET, CRANKCASE			
20		900162-05020	6	BOLT, H.S. 5*20	5*20 W,SW		
21		130021-00331	3	BOLT (ISO)			
22		900220-03006	3	SCREW 3*6	3*6		
23		890112-00331	1	LABEL, MODEL			
24		101511-00333	1	COVER, FAN (BS)			
25		900701-00011	1	CIRCLIP 11	CS-11		
26		900720-00014	1	O-RING 14	P-14		
27		130406-00330	1	NUT, THUMB			
28		101514-00331	1	COVER, CYLINDER			
29		351217-00331	1	SUPPORTER, F. HANDLE			

9. Fuel Pipe

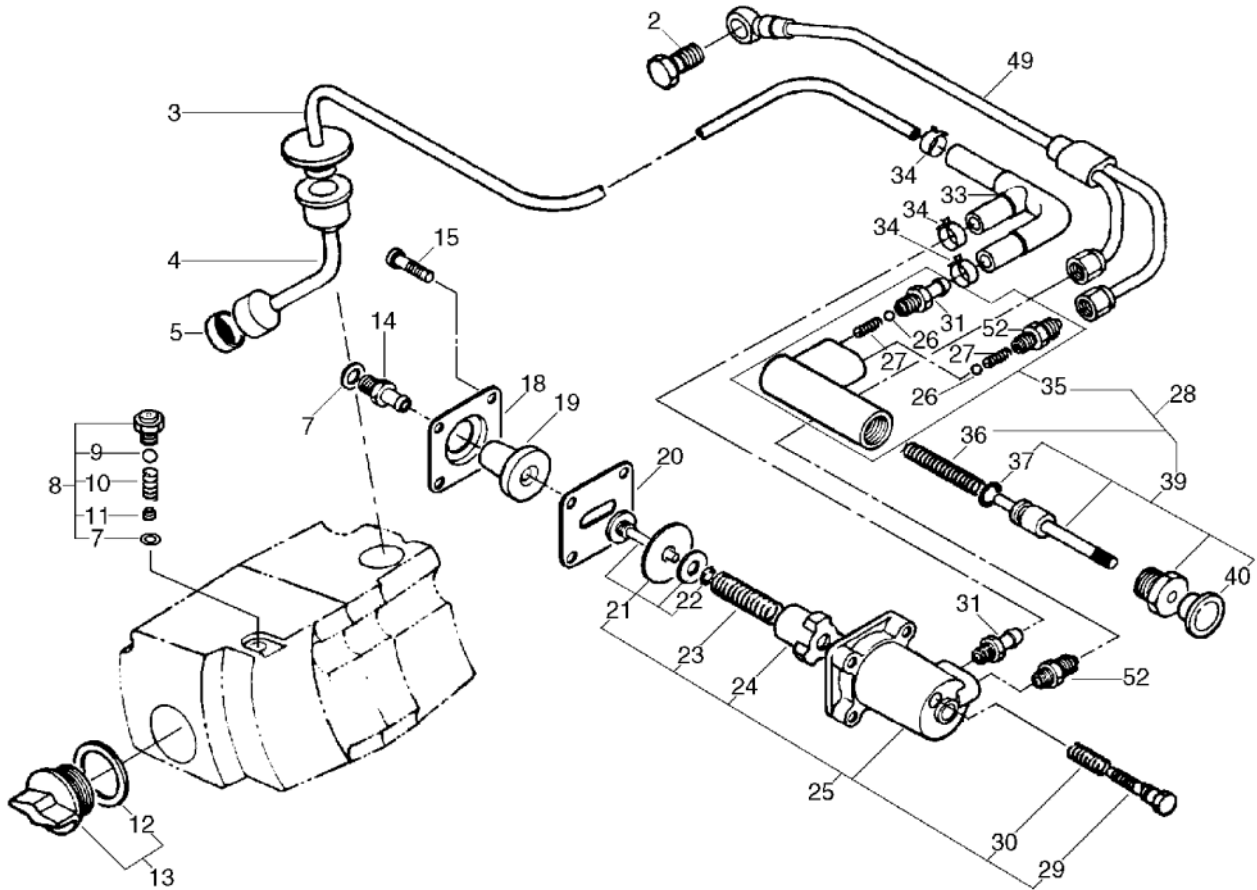
No.9



KEY	LV	PART NUMBER	Q'TY	DESCRIPTION	REMARKS	NOTE1	NOTE2
1		132012-00330	1	PIPE, FUEL (OUTER)			
2		132011-00331	1	CONNECTOR, FUEL PIPE			
3		132016-00331	1	PIPE, FUEL (INNER)			
4		131312-00331	1	PIPE, VENT (OUTER)			
5		131315-00330	1	FILTER			
6		131313-00330	1	HOLDER, CHECK VALVE			
7		131314-00330	1	VALVE, CHECK			
8		131311-00331	2	CONNECTOR			
9		131318-00330	4	GASKET			
10		131316-00330	1	CONNECTOR			
11		131317-00330	1	PIPE, CONNECTING			
12		131205-19830	1	STRAINER, FUEL			
13		131110-00330	1	STRAINER, INLET FUEL			
15		131004-00330	1	CAP ASS'Y, FUEL		Sus. by 131004-00331	
15		131004-00331	1	CAP ASSY, FUEL BL			
14	+	900720-00029	1	O-RING 29	P-29		
16		132019-00330	1	WASHER, SEAL			
17		132013-00330	1	CLIP, PIPE			
18		437221-00330	1	CLIP (S)			

10. Auto-Oiler

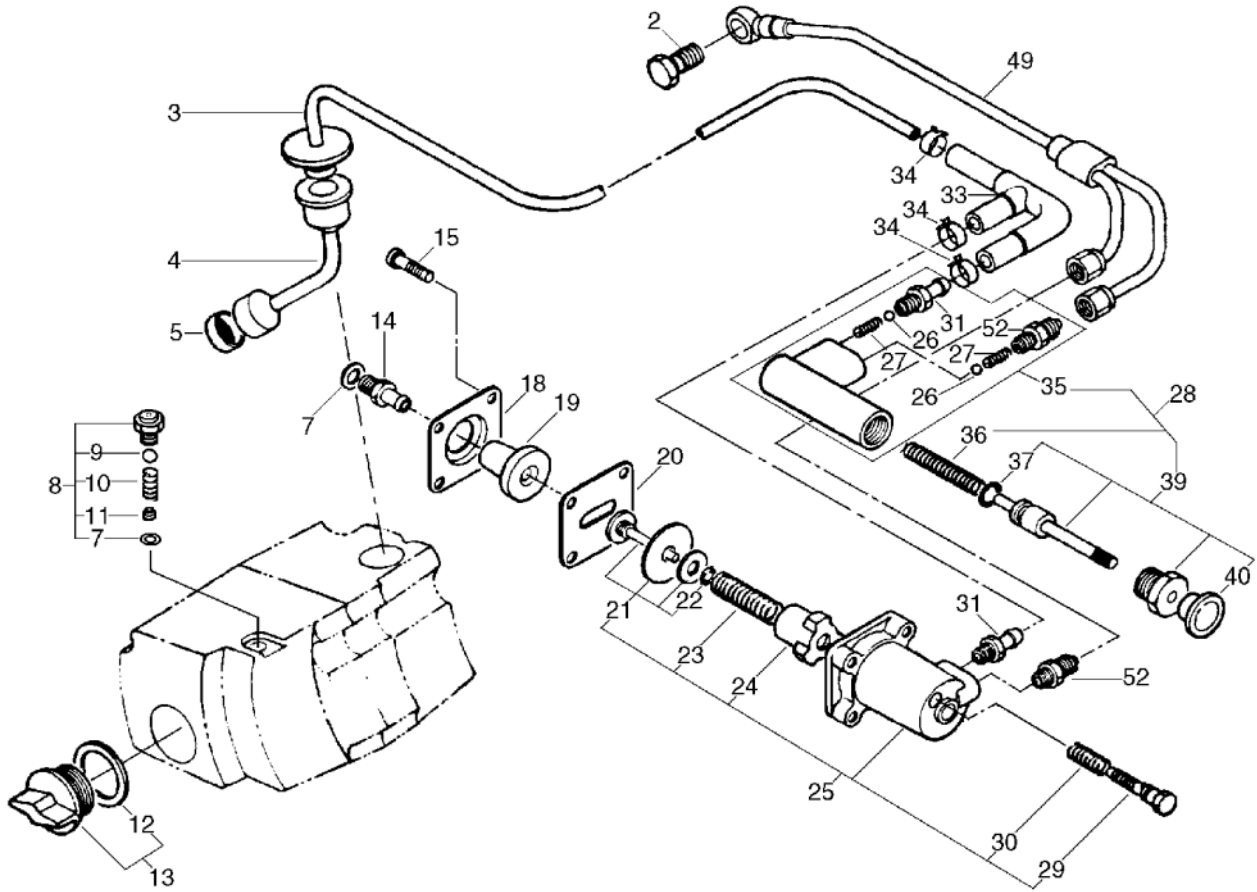
No.10



KEY	LV	PART NUMBER	Q'TY	DESCRIPTION	REMARKS	NOTE1	NOTE2
2		437220-00330	1	BOLT, HOLDING			
3		437205-00330	1	PIPE, OIL (S)			
4		437310-00331	1	PIPE, OIL (INNER)			
5		436210-00332	1	STRAINER, OIL			
7		131310-00230	1	GASKET			
8		436100-00230	1	VENT ASS'Y			
7	+	131310-00230	1	GASKET			
9	+	436111-00230	1	VALVE, BALL			
10	+	436112-00230	1	SPRING, VENT			
11	+	436113-00230	1	PLUG, VENT			
13		436001-00330	1	CAP ASSY, OIL TANK			
12	+	436012-00430	1	GASKET, OIL TANK CAP			
14		100410-00330	1	ADAPTER			
15		900242-04015	4	SCREW 4*15	4*15		
18		437027-00330	1	RETAINER			
19		437026-00330	1	CONNECTOR			
20		437025-00330	1	GASKET			
25		437000-00332	1	AUTO-OILER ASS'Y			
21	+	437006-00330	1	PLUNGER ASS'Y			
22	++	900720-00003	1	O-RING P-3	P-3		
23	+	437019-00330	1	SPRING, OILER			
24	+	437018-00330	1	CASE, SPRING			
29	+	437016-00331	1	SCREW, ADJUSTER			
30	+	437015-00330	1	SPRING, ADJUSTER			
31	+	437017-00330	1	CONNECTOR, PUMP			
52	+	437052-00330	1	CONNECTOR			

10. Auto-Oiler

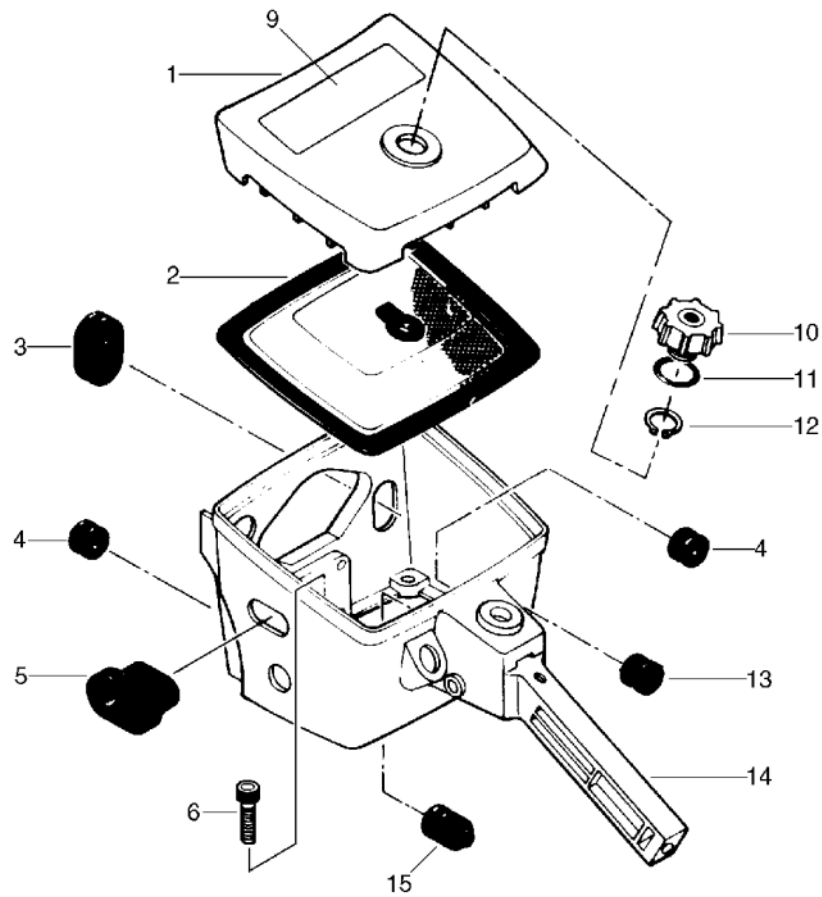
No.10



KEY	LV	PART NUMBER	Q'TY	DESCRIPTION	REMARKS	NOTE1	NOTE2
28		437100-00332	1	PUMP ASS'Y, OIL			
35	+	437102-00330	1	BODY ASS'Y, OIL PUMP			
26	++	437012-00330	2	VALVE, BALL			
27	++	437013-00330	2	SPRING, VALVE			
31	++	437017-00330	1	CONNECTOR, PUMP			
52	++	437052-00330	1	CONNECTOR			
36	+	437111-00231	1	SPRING, OIL PUMP			
39	+	437101-00330	1	PISTON, PUMP (W/CAP)			
37	++	900720-00006	1	O-RING 6	P-6		
40	++	178512-00430	1	BUTTON, PUSH			
33		437215-00330	1	PIPE, OIL			
34		437221-00330	3	CLIP (S)			
49		437207-00331	1	PIPE, OIL			

11. Air Cleaner

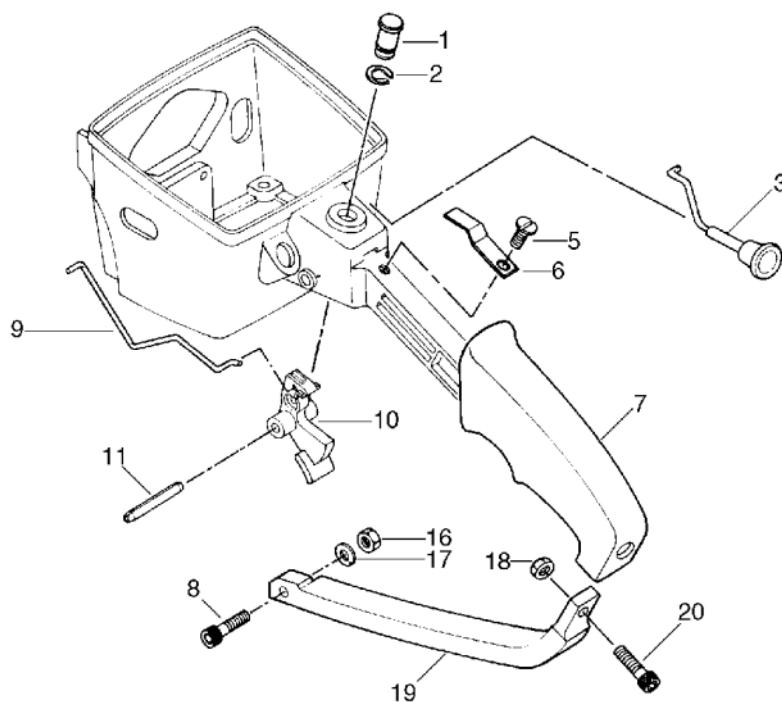
No.11



KEY	LV	PART NUMBER	Q'TY	DESCRIPTION	REMARKS	NOTE1	NOTE2
1		130313-00330	1	COVER, A. CLEANER BL			
2		130305-00330	1	FILTER, AIR			
3		437410-00330	1	GROMMET			
4		178210-00230	1	GROMMET			
5		129010-00230	1	GROMMET			
6		900162-05020	4	BOLT, H.S. 5*20	5*20 W.SW		
9		890151-00330	1	LABEL, MODEL			
10		130406-00330	1	NUT, THUMB			
11		900720-00014	1	O-RING 14	P-14		
12		900701-00011	1	CIRCLIP 11	CS-11		
13		178810-02830	1	GROMMET			
14		351025-00331	1	HANDLE, REAR(ISO)(BS			
15		178211-00330	1	GROMMET			

12. Right Handle

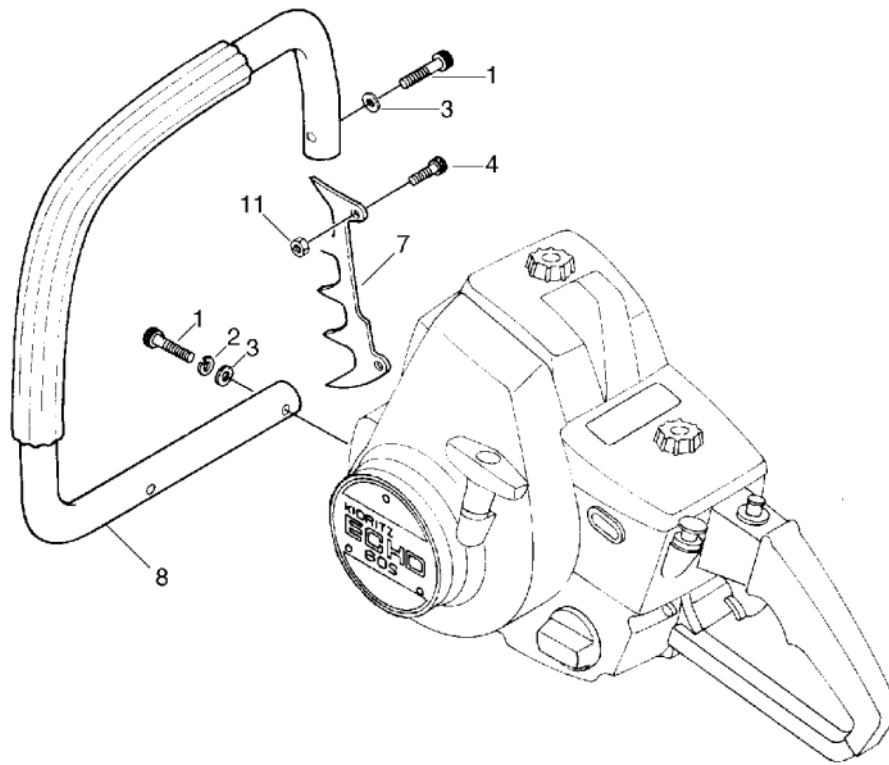
No.12



KEY	LV	PART NUMBER	Q'TY	DESCRIPTION	REMARKS	NOTE1	NOTE2
1		178012-00230	1	LOCKOUT, THROTTLE			
2		900700-00006	1	E-RING 6	CE-6		
3		178510-00334	1	ROD, CHOKE			
5		900212-05010	1	SCREW 5*10	+SF5*10		
6		178013-00230	1	SPRING, THR. LOCK			
7		351012-00131	1	GRIP, REAR HANDLE			
8		900105-05025	1	BOLT, H.S. 5*25	5*25		
9		178011-00330	1	ROD, THROTTLE			
10		178005-00330	1	CONTROL, THROTTLE			
11		178110-00230	1	SHAFT, TRIGGER		Sus. by 900345-50032	
11		900345-50032	1	PIN, SPRING 5*32	5*32 SUS		
16		433022-02830	1	LOCKNUT 5		Sus. by 900562-00005	
16		900562-00005	1	NUT, LOCK	5		
17		900600-00005	1	WASHER 5	5		
18		900500-00005	1	NUT 5	5		
19		351011-00330	1	SUPPORTER, F. HANDLE			
20		900162-05025	1	BOLT, H.S. 5*25	5*25 W,SW		

13. Left Handle

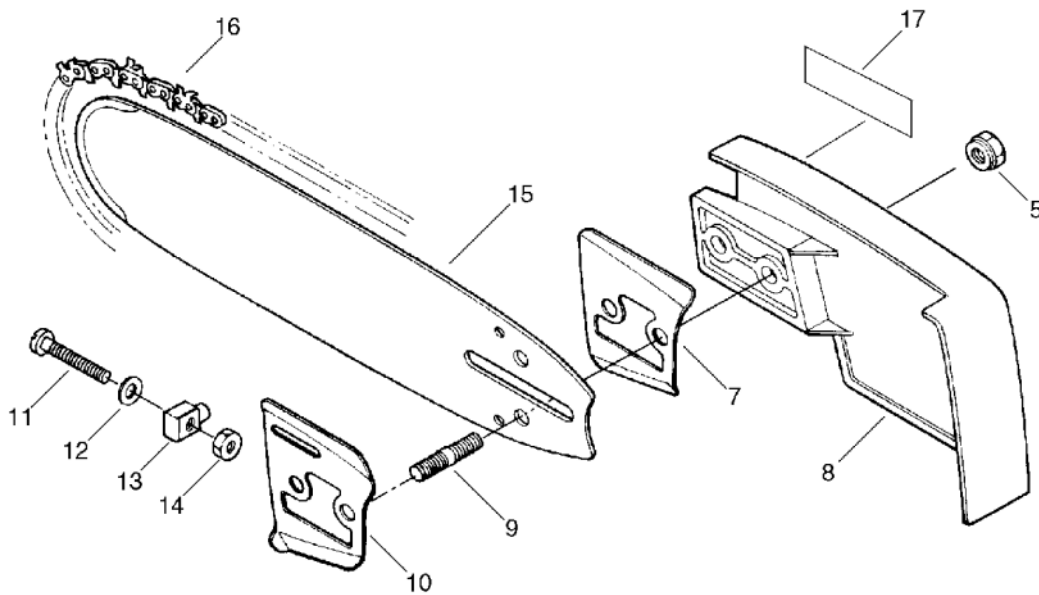
No.13



KEY	LV	PART NUMBER	Q'TY	DESCRIPTION	REMARKS	NOTE1	NOTE2
1		900105-06032	3	BOLT, H.S. 6*32	6*32		
2		900605-00006	2	WASHER, SPRING 6	6		
3		900600-00006	3	WASHER 6	6		
4		900105-05018	2	BOLT, H.S. 5*18	5*18		
7		880210-00230	1	BUMPER, SPIKED			
8		351406-00330	1	HANDLE, FRONT			
11		433022-02830	2	LOCKNUT 5		Sus. by 900562-00005	
11		900562-00005	2	NUT, LOCK	5		

14. Bar, Chain

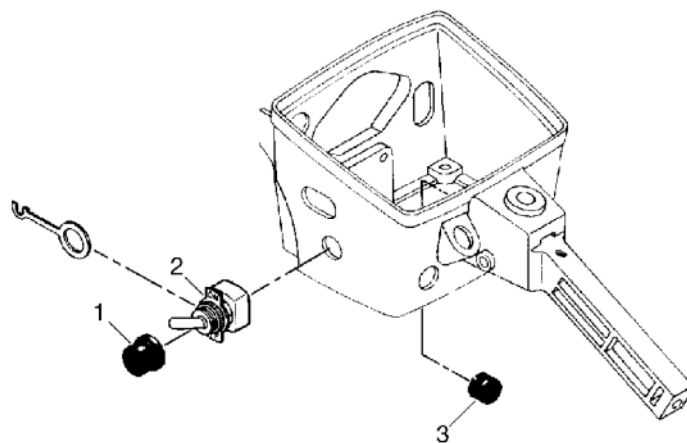
No.14



KEY	LV	PART NUMBER	Q'TY	DESCRIPTION	REMARKS	NOTE1	NOTE2
5		433019-12330	2	NUT, FLANGE 8	M-8		
7		433012-12332	1	PLATE, GUIDE (OUTER)			
8		433021-00330	1	GUARD, SPROCKET			
9		433011-12330	2	STUD, GUIDE BAR		Knock down parts of 8-15	
10		433013-12332	1	PLATE, GUIDE (INNER)			
11		433016-02830	1	SCREW, TENSIONER			
12		100247-02830	1	WASHER			
13		433014-00330	1	TENSIONER			
14		433022-02830	1	LOCKNUT 5		Sus. by 900562- 00005	
14		900562-00005	1	NUT, LOCK	5		
15		430211-00232	1	BAR, GUIDE 16K50	16K50		
16		431011-10730	1	CHAIN, SAW 72DP-59E	72DP-59E 16		
17		890021-02832	1	LABEL, ECHO			

15. Switch

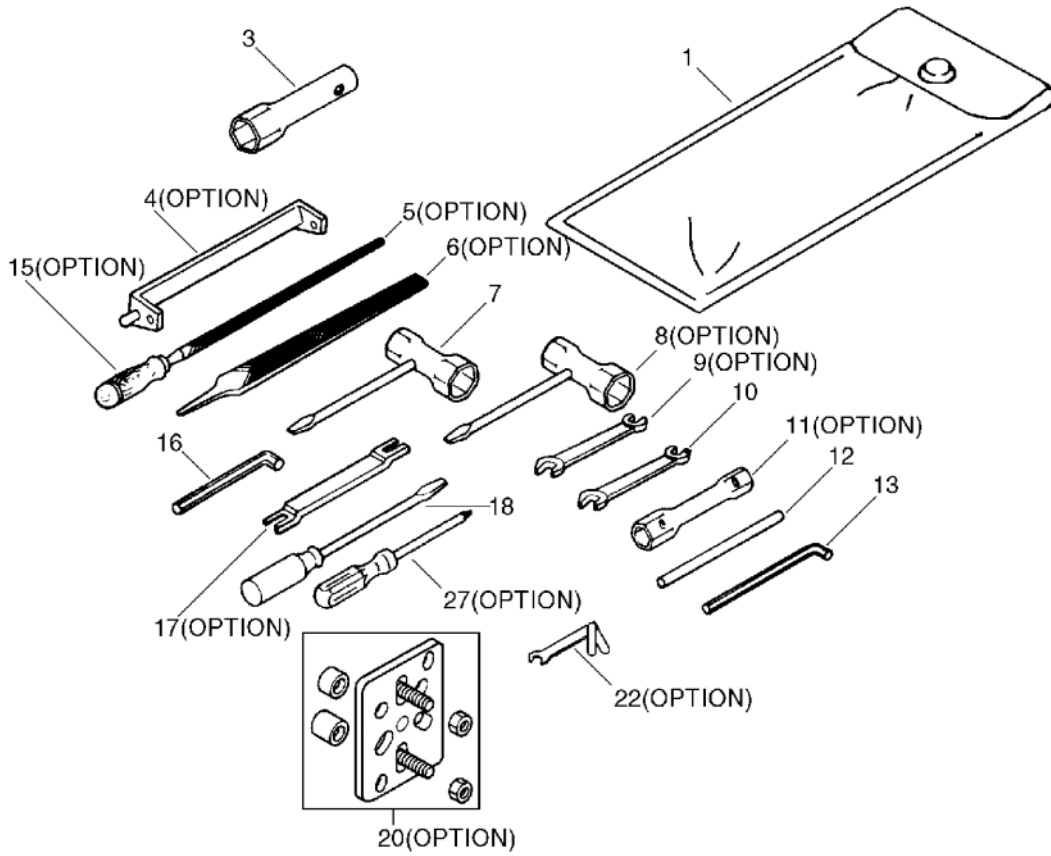
No.15



KEY	LV	PART NUMBER	Q'TY	DESCRIPTION	REMARKS	NOTE1	NOTE2
1		163910-00330	1	COVER, SWITCH			
2		163405-00330	1	SWITCH, IGNITION			
3		159910-00330	1	GROMMET			

16. Tools

No.16



KEY	LV	PART NUMBER	Q'TY	DESCRIPTION	REMARKS	NOTE1	NOTE2
		896000-00331	1	TOOL SET			
1	+	898510-39130	1	BAG, TOOL			
3	+	895418-02830	1	WRENCH, BOX 14*17			
4	+	897600-00330	1	HOLDER, FILE			
5	+	897510-00230	1	FILE, ROUND 7/32			
6	+	897511-00230	1	FILE, FLAT			
7	+	895410-02830	1	WRENCH, W/S. DRIVER			
8	+	895410-08030	1	WRENCH, W/S. DRIVER			
9	+	895110-00230	1	SPANNER 8*9			
11	+	895413-00630	1	WRENCH, BOX 8*10			
12	+	895412-00230	1	ROD, HANDLE			
13	+	895610-00130	1	L-WRENCH (4MM)			
15	+	897512-00230	1	GRIP, FILE			
16	+	895611-00330	1	L-WRENCH (5MM)			
17	+	897514-00232	1	GAUGE, DEPTH			
18	+	895811-00130	1	DRIVER, SCREW 125			
20	+	897501-03938	1	PULLER, MAGNETO			
22	+	895115-00330	1	SPANNER, MAGNETO			
27	+	895710-00430	1	DRIVER, SCREW			
10		895112-00330	1	SPANNER 8*10			

Index

Patrs Number	Key No.	Patrs Number	Key No.	Patrs Number	Key No.
100000-00330	2 - 6	122137-00230	7 - 27	150101-00230	6 - 10
100011-00230	2 - 7	122138-00230	7 - 28	150110-00230	6 - 20
100012-00230	2 - 8	122139-00231	7 - 29	150111-00430	6 - 19
100013-00230	2 - 10	122140-00230	7 - 30	150126-00331	6 - 3
100014-00230	2 - 9	122141-00230	7 - 31	150127-00331	6 - 14
100015-00230	2 - 11	122142-00230	7 - 32	150128-00330	6 - 12
100100-00330	2 - 1	122144-00231	7 - 15	150132-00230	6 - 9
100129-00230	2 - 2	122145-00230	7 - 35	150133-00330	6 - 23
100142-00330	2 - 12	122146-00230	7 - 12	150200-00330	6 - 22
100143-00230	2 - 13	122149-00330	7 - 33	150310-00230	6 - 11
100144-00230	2 - 14	122169-10330	7 - 11	159005-00331	6 - 16
100204-00331	8 - 15	129010-00230	11 - 5	159010-00330	6 - 18
100212-12130	2 - 16	130005-00331	3 - 6	159910-00330	15 - 3
100213-00330	2 - 3	130010-00230	3 - 1	163405-00330	15 - 2
100215-02830	8 - 16	130011-00230	3 - 4	163910-00330	15 - 1
100219-00330	1 - 9	130012-00230	3 - 5	175000-00331	4 - 12
100242-00332	8 - 17	130016-00330	3 - 7	175005-00230	4 - 1
100247-02830	14 - 12	130017-00330	3 - 8	175012-00230	4 - 2
100410-00330	10 - 14	130021-00331	3 - 10	175013-00230	4 - 3
101000-00333	1 - 2	130021-00331	8 - 21	175014-00230	4 - 4
101010-00231	1 - 3	130305-00330	11 - 2	175015-00230	4 - 5
101014-00230	1 - 4	130313-00330	11 - 1	175016-00330	4 - 7
101020-00331	1 - 1	130405-00331	3 - 9	175017-00230	4 - 8
101511-00333	8 - 24	130406-00330	11 - 10	175018-00230	4 - 6
101514-00331	8 - 28	130406-00330	8 - 27	175019-00230	4 - 9
122000-00231	7 -	131004-00330	9 - 15	177200-00630	5 -
122000-00232	7 -	131004-00331	9 - 15	177205-00230	5 - 1
122110-00231	7 - 1	131110-00330	9 - 13	177206-00330	5 - 3
122112-00230	7 - 3	131205-19830	9 - 12	177208-00630	5 - 4
122113-00230	7 - 7	131310-00230	10 - 7	177210-00230	5 - 14
122114-00231	7 - 4	131310-00230	10 - 7	177213-00230	5 - 13
122116-00230	7 - 5	131311-00331	9 - 8	177214-00230	5 - 12
122117-00231	7 - 6	131312-00331	9 - 4	177218-00231	5 - 2
122118-00230	7 - 8	131313-00330	9 - 6	177220-00230	5 - 10
122119-10630	7 - 9	131314-00330	9 - 7	177221-00230	5 - 9
122120-00230	7 - 10	131315-00330	9 - 5	177225-00230	5 - 5
122122-00230	7 - 13	131316-00330	9 - 10	177226-07060	5 - 20
122123-00230	7 - 14	131317-00330	9 - 11	177227-00230	5 - 17
122124-00230	7 - 16	131318-00330	9 - 9	177227-05330	5 - 17
122125-00230	7 - 17	131410-00330	8 - 14	177228-12330	5 - 18
122126-00230	7 - 18	132011-00331	9 - 2	177229-14330	5 - 19
122126-00830	7 - 34	132012-00330	9 - 1	178005-00330	12 - 10
122127-00330	7 - 19	132013-00330	9 - 17	178011-00330	12 - 9
122131-00231	7 - 21	132016-00331	9 - 3	178012-00230	12 - 1
122132-10630	7 - 22	132019-00330	9 - 16	178013-00230	12 - 6
122133-00230	7 - 23	145510-00231	1 - 5	178110-00230	12 - 11
122134-00230	7 - 24	145605-00330	1 - 6	178210-00230	11 - 4
122135-00230	7 - 25	145713-00630	1 - 8	178211-00330	11 - 15
122136-00230	7 - 26	150100-00331	6 -	178510-00334	12 - 3

Index

Patrs Number	Key No.	Patrs Number	Key No.	Patrs Number	Key No.
178512-00430	10 - 40	437220-00330	10 - 2	900322-03014	2 - 5
178810-02830	11 - 13	437221-00330	10 - 34	900323-03014	2 - 5
351011-00330	12 - 19	437221-00330	9 - 18	900345-50032	12 - 11
351012-00131	12 - 7	437310-00331	10 - 4	900500-00005	12 - 18
351025-00331	11 - 14	437410-00330	11 - 3	900502-00005	5 - 7
351217-00331	8 - 29	880210-00230	13 - 7	900562-00005	12 - 16
351406-00330	13 - 8	890021-02832	14 - 17	900562-00005	13 - 11
430211-00232	14 - 15	890112-00331	8 - 23	900562-00005	14 - 14
431011-10730	14 - 16	890151-00330	11 - 9	900600-00002	8 - 13
433011-12330	14 - 9	895110-00230	16 - 9	900600-00005	12 - 17
433012-12332	14 - 7	895112-00330	16 - 10	900600-00005	8 - 9
433013-12332	14 - 10	895115-00330	16 - 22	900600-00006	13 - 3
433014-00330	14 - 13	895410-02830	16 - 7	900600-00006	8 - 3
433015-00230	3 - 2	895410-08030	16 - 8	900605-00004	6 - 2
433016-02830	14 - 11	895412-00230	16 - 12	900605-00005	3 - 11
433019-12330	14 - 5	895413-00630	16 - 11	900605-00005	5 - 8
433021-00330	14 - 8	895418-02830	16 - 3	900605-00005	8 - 8
433022-02830	12 - 16	895610-00130	16 - 13	900605-00006	13 - 2
433022-02830	13 - 11	895611-00330	16 - 16	900605-00006	5 - 16
433022-02830	14 - 14	895710-00430	16 - 27	900605-00006	8 - 2
436001-00330	10 - 13	895811-00130	16 - 18	900700-00006	12 - 2
436012-00430	10 - 12	896000-00331	16 -	900700-00006	5 - 6
436100-00230	10 - 8	897501-03938	16 - 20	900700-00012	5 - 11
436111-00230	10 - 9	897510-00230	16 - 5	900701-00011	11 - 12
436112-00230	10 - 10	897511-00230	16 - 6	900701-00011	8 - 25
436113-00230	10 - 11	897512-00230	16 - 15	900702-00040	2 - 15
436210-00332	10 - 5	897514-00232	16 - 17	900720-00003	10 - 22
437000-00332	10 - 25	897600-00330	16 - 4	900720-00006	10 - 37
437006-00330	10 - 21	898510-39130	16 - 1	900720-00014	11 - 11
437012-00330	10 - 26	900100-06012	5 - 15	900720-00014	8 - 26
437013-00330	10 - 27	900105-05018	13 - 4	900720-00029	9 - 14
437015-00330	10 - 30	900105-05025	12 - 8	900810-36203	2 - 4
437016-00331	10 - 29	900105-06025	8 - 1		
437017-00330	10 - 31	900105-06028	3 - 3		
437017-00330	10 - 31	900105-06032	13 - 1		
437018-00330	10 - 24	900141-05010	4 - 11		
437019-00330	10 - 23	900162-05020	11 - 6		
437025-00330	10 - 20	900162-05020	8 - 20		
437026-00330	10 - 19	900162-05025	12 - 20		
437027-00330	10 - 18	900162-05035	8 - 7		
437052-00330	10 - 52	900212-05010	12 - 5		
437052-00330	10 - 52	900220-03006	8 - 22		
437100-00332	10 - 28	900220-04008	6 - 15		
437101-00330	10 - 39	900220-04012	6 - 13		
437102-00330	10 - 35	900220-04022	6 - 1		
437111-00231	10 - 36	900242-04008	6 - 4		
437205-00330	10 - 3	900242-04015	10 - 15		
437207-00331	10 - 49	900242-05015	6 - 8		
437215-00330	10 - 33	900300-20015	8 - 12		

YAMABIKO CORPORATION

7-2 SUEHIROCHO 1-CHOME, OHME, TOKYO 198-8760, JAPAN
PHONE: 81-428-32-6118. FAX: 81-428-32-6145.



-60S
No.