

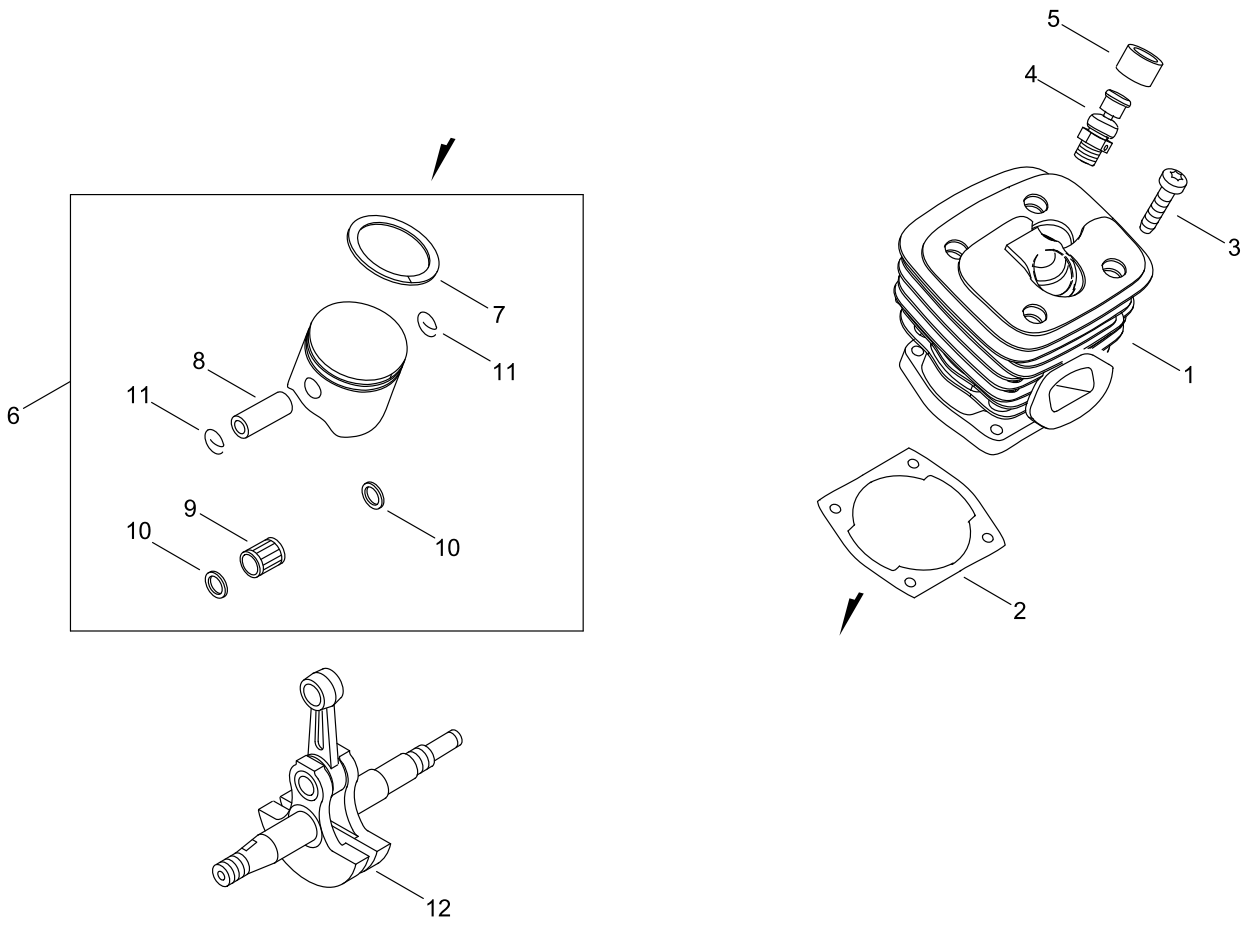
CS-590

Published:01/26/2017

TABLE OF CONTENTS

CYLINDER, PISTON, CRANKSHAFT.....	1
CRANKCASE	3
MAGNETO.....	5
AIR CLEANER, CARBURETOR.....	7
CARBURETOR.....	9
MUFFLER	11
RECOIL STARTER.....	13
HANDLE	15
CHAIN BRAKE.....	17
ACCESSORIES	19
AUTO-OILER.....	21
GUIDE BAR, CHAIN	23

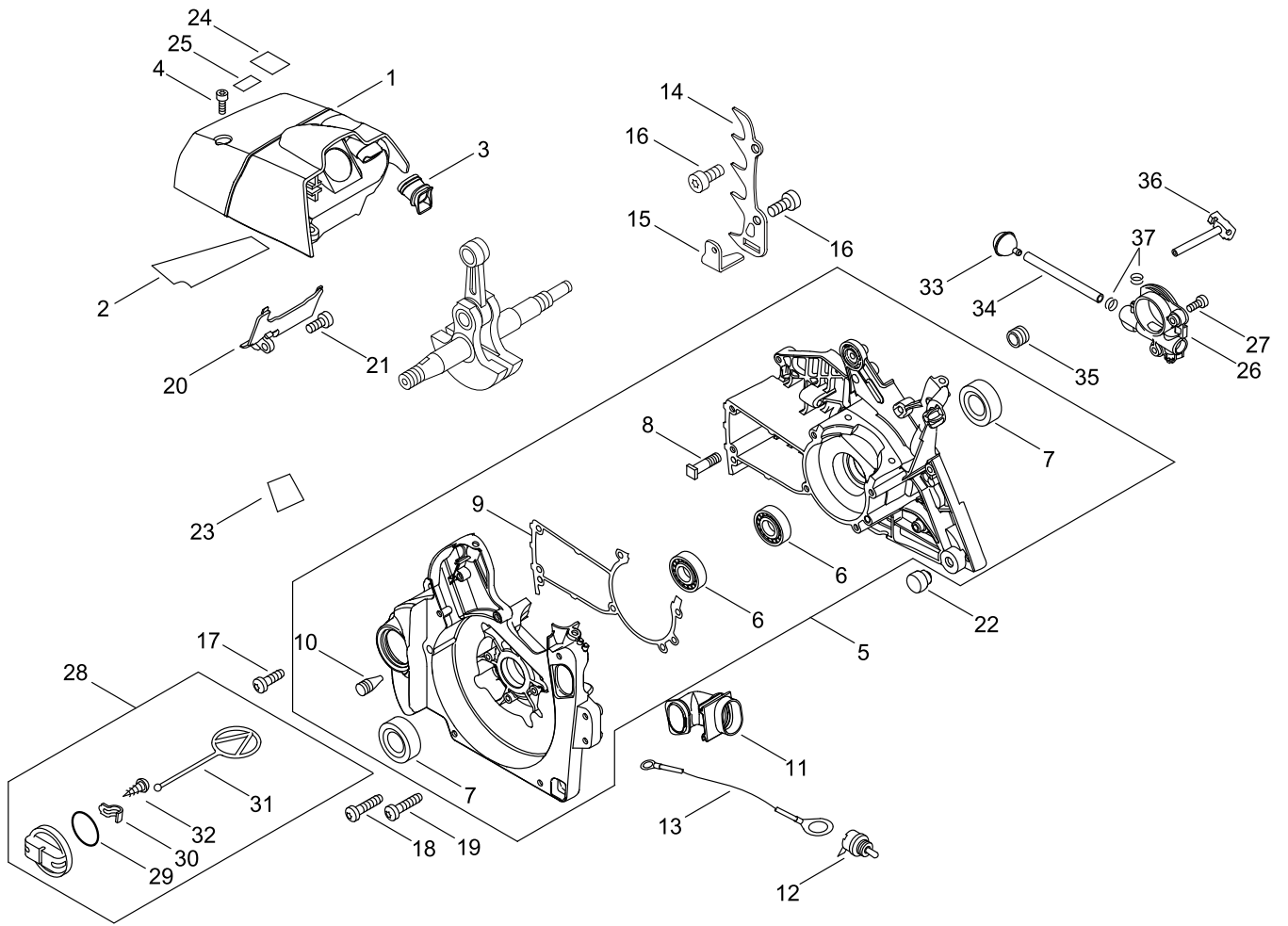
CYLINDER, PISTON, CRANKSHAFT



CYLINDER, PISTON, CRANKSHAFT

KEY NO	LV(+)	Part No	Description	Qty	Standard
1		A130-002041	CYLINDER	1	
2		V100-000270	GASKET,CYL	1	
3		V805-000220	BOLT, TORX 5	4	TB-5*25 12.9
4		A014-000110	RELEASE ASY., COMP.	1	
5		V141-000090	GROMMET,PLUG	1	
6		P021-038790	PISTON KIT	1	
7	+	A101-000210	RING, PISTON	1	45*1.5*1.9
8	+	V609-000010	PIN,ENG 11	1	7*11*37.6
9	+	V556-000000	BEARING,NEEDLE 11	1	KBK11*15*15.8X2
10	+	V308-000040	WASHER,CIRCULAR 11	2	11.2*19.5*0.5
11	+	V580-000030	RING,END	2	D 1.0
12		A011-001270	CRANKSHAFT,ASY	1	CSB-620PW

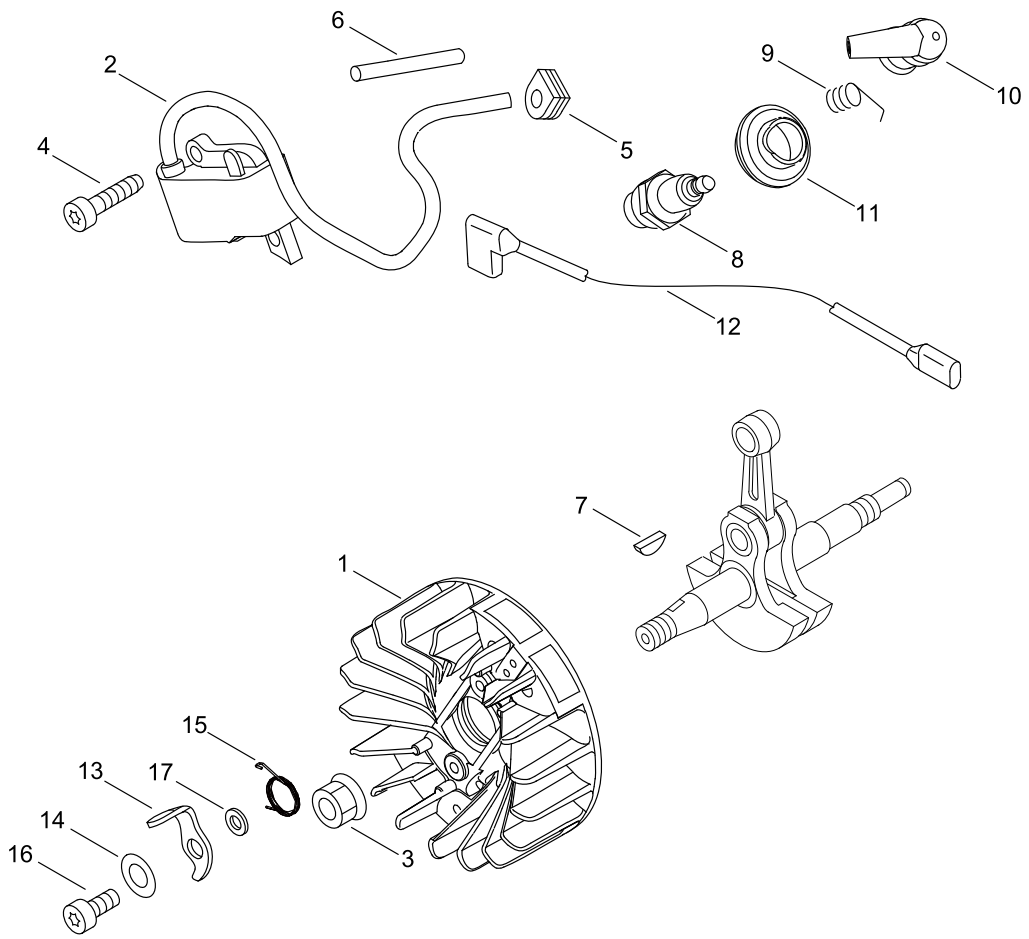
CRANKCASE



CRANKCASE

KEY NO	LV(+)	Part No	Description	Qty	Standard
1		A160-001081	COVER,CYLINDER	1	
2		V341-000140	WASHER,SQUARE	1	75*32*0.15
3		A239-000070	PIPE, INTAKE	1	
4		V805-000000	BOLT, TORX 5	3	TT-5*16 DG 10.9
5		P021-043312	CRANKCASE SET	1	
6	+	94036-46202	BEARING BALL	2	
7	+	V508-000100	SEAL,OIL 15	2	ISCD 15*25*7
8	+	V205-000401	BOLT,8	2	
9	+	V102-000060	GASKET,CRANKCASE	1	T0.4
10	+	436114-13930	VALVE, CHECK	1	
11		A239-000060	PIPE, INTAKE	1	
12		A440-001190	SWITCH, ON OFF	1	
13		V485-001101	LEAD	1	L:170/LA105
14		C304-000280	SPIKED	1	
15		C310-000010	CATCHER, CHAIN	1	
16		V805-000000	BOLT, TORX 5	2	TT-5*16 DG 10.9
17		V805-000010	BOLT, TORX 5	2	TT-5*20 DG 10.9
18		V805-000020	BOLT, TORX 5	4	TT-5*35 DG 10.9
19		V805-000170	BOLT, TORX 5	1	TB-5*25 10.9
20		E106-000020	GUIDE,AIR	1	
21		V805-000000	BOLT, TORX 5	1	TT-5*16 DG 10.9
22		V420-003800	CUSHION	2	
23		V376-001780	SPACER	1	
24		890345-39231	LABEL,CAUTION	1	
25		X505-006940	LABEL,CAUTION	1	
26		C022-000052	AUTO-OILER ASSEMBLY	1	
27		V804-000000	BOLT, TORX 4	2	TT-4*12 DG 10.9
28		P021-016031	CAP, OIL	1	
29	+	900720-00028	O-RING 28	1	P-28
30	+	131050-19830	RETAINER, LINK	1	
31	+	131051-19830	LINK	1	60L
32	+	900246-03008	SCREW 3*8	1	3*8
33		436205-14730	STRAINER, OIL	1	
34		437210-30830	PIPE, OIL	1	NBR 3*6*210L
35		132115-01461	GROMMET	1	
36		V470-000830	PIPE	1	
37		V490-001240	CLIP	2	

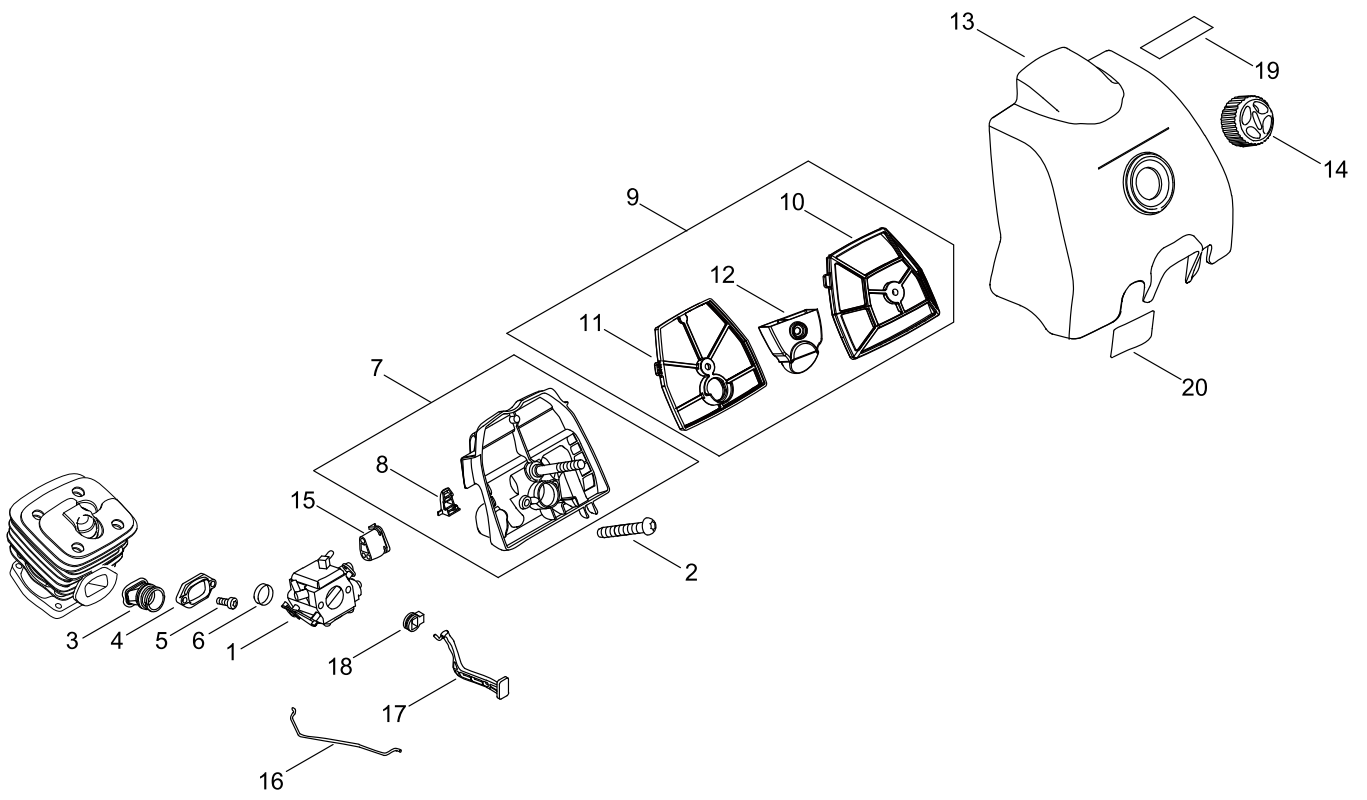
MAGNETO



MAGNETO

KEY NO	LV(+)	Part No	Description	Qty	Standard
1		A409-000360	ROTOR, MAGNETO	1	
2		P021-038360	COIL, IGNITION	1	
3		900515-00008	NUT, FLANGE 8	1	8
4		V805-000000	BOLT, TORX 5	2	TT-5*16 DG 10.9
5		156110-04920	BUSHING	1	
6		V475-004130	TUBE	1	
7		100142-30830	KEY, WOODRUFF	1	
8		159010-19830	PLUG, SPARK (BPM-8Y)	1	BPM-8Y
9		A426-000010	TERMINAL, SPARKPLUG	1	
10		A427-000013	CAP, SPARK PLUG	1	
11		A429-000040	COVER, CAP	1	
12		V485-001091	LEAD	1	AVX0.75F
13		177218-19830	PAWL, STARTER	2	
14		900603-00005	WASHER 5	2	5.5*12*0.8
15		177234-35430	SPRING, RETURN	2	
16		V835-000000	BOLT, TORX 5	2	
17		177247-04630	SPACER, RATCHET	2	5.2*8*2.1

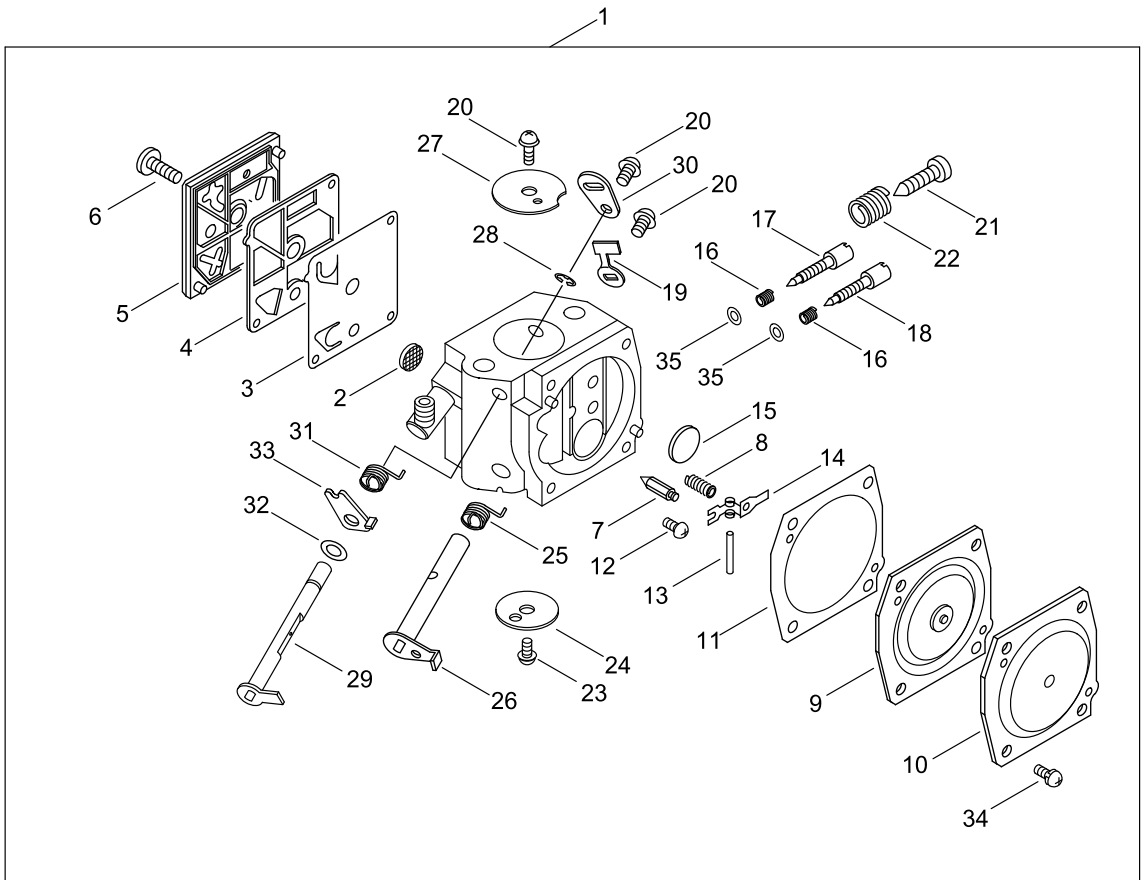
AIR CLEANER, CARBURETOR



AIR CLEANER, CARBURETOR

KEY NO	LV(+)	Part No	Description	Qty	Standard
1		A021-004560	CARBURETOR, DIAPHRAGM	1	HAD/EX-5490
2		V805-000080	BOLT, TORX 5	2	TB-5*50 10.9
3		A202-000081	BELLOWS, INTAKE	1	
4		A206-000010	HOLDER, BELLOWS	1	
5		V805-000000	BOLT, TORX 5	2	TT-5*16 DG 10.9
6		V360-000060	COLLAR,18	1	
7		P021-016023	CASE,CLEANER	1	
8	+	A219-000000	SHUTTER, AIR	1	
9		P021-016372	ELEMENT,AIR FILTER	1	
10	+	A226-000441	ELEMENT, AIR FILTER	1	AC-200N
11	+	A226-000452	ELEMENT, AIR FILTER	1	AC-200N
12	+	A244-000080	PLATE, PREVENT	1	
13		A232-000472	LID,CLEANER	1	
14		A235-000201	KNOB,CLEANER LID	1	
15		V131-000020	GROMMET,NEEDLE	1	
16		C454-000170	ROD, THROTTLE	1	
17		A241-000171	KNOB, CHOKE	1	
18		V130-000030	GROMMET,CHOKE	1	
19		X503-013100	LABEL,MODEL	1	CS-590TIMBERWOLF
20		890157-39131	LABEL, SWITCH	1	

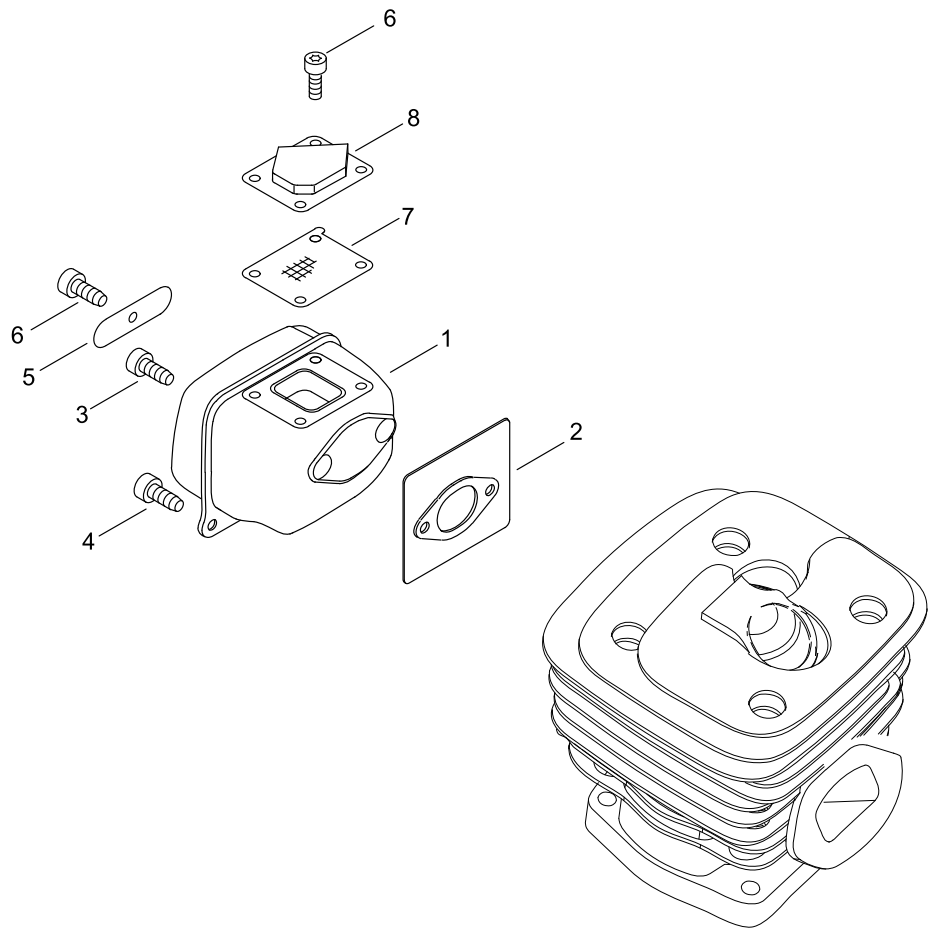
CARBURETOR



CARBURETOR

KEY NO	LV(+)	Part No	Description	Qty	Standard
1		A021-004560	CARBURETOR, DIAPHRAGM	1	HAD/EX-5490
2	+	123126-10631	SCREEN, INLET	1	
3	+	123112-12330	DIAPHRAGM, FUEL PUMP	1	
4	+	123125-12330	GASKET, FUEL PUMP	1	
5	+	123124-19830	COVER, FUEL PUMP	1	
6	+	123110-16130	SCREW, PUMP COVER	1	
7	+	123137-19830	VALVE, INLET NEEDLE	1	
8	+	123122-32630	SPRING, METER. LEVER	1	
9	+	P003-004920	DIAPHRAGM ASSY	1	95-649
10	+	123142-17330	COVER, M. DIAPHRAGM	1	
11	+	123140-16130	GASKET, M. DIAPHRAGM	1	
12	+	P003-005400	SCREW	1	
13	+	123138-03930	PIN, METERING LEVER	1	
14	+	123123-18330	LEVER, METERING	1	
15	+	123146-10631	PLUG, WELCH	1	
16	+	123121-03930	SPRING, NEEDLE	2	
17	+	P003-004970	NEEDLE	1	
18	+	P003-005250	NEEDLE	1	
19	+	123156-30830	STOP, THROTTLE	1	
20	+	123114-38830	SCREW	3	
21	+	123134-04260	SCREW, IDLE ADJUST	1	
22	+	123133-04260	SPRING, IDLE ADJUST	1	
23	+	P003-002380	SCREW	1	
24	+	123132-16130	VALVE, CHOKE	1	
25	+	P003-000560	SPRING, THRT. RETURN	1	
26	+	P003-002280	SHAFT, THROTTLE	1	
27	+	123116-16130	VALVE, THROTTLE	1	
28	+	123127-15030	RING	1	
29	+	P003-002290	SHAFT, CHOKE	1	
30	+	P003-002300	LEVER, CHOKE	1	
31	+	P003-000610	SPRING	1	
32	+	123149-26030	WASHER	1	
33	+	P003-000620	LEVER-FAST IDLE	1	
34	+	123130-02960	SCREW	4	
35	+	123149-39130	WASHER	2	

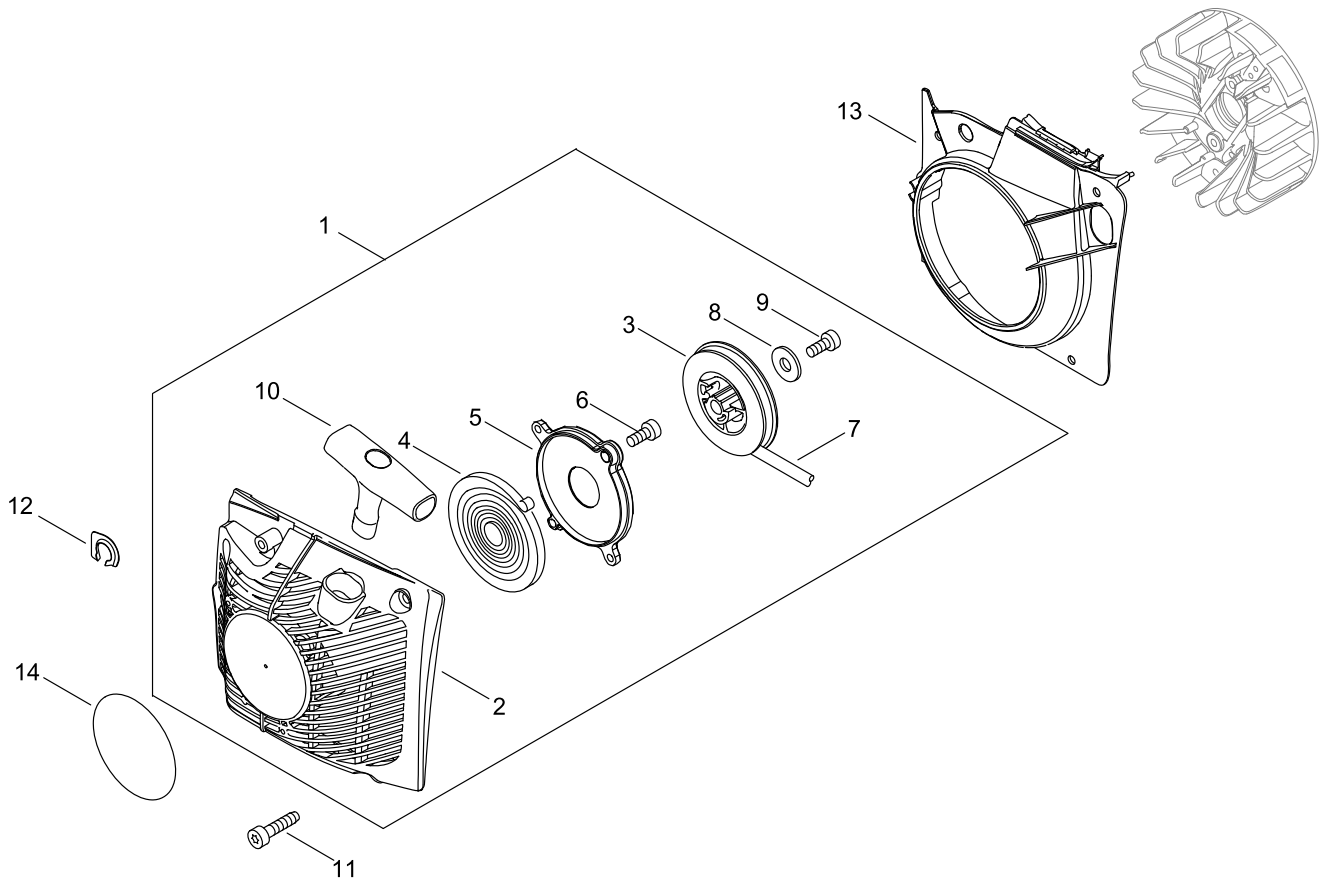
MUFFLER



MUFFLER

KEY NO	LV(+)	Part No	Description	Qty	Standard
1		A300-001570	MUFFLER, EXHAUST	1	
2		V104-002150	GASKET,EXHAUST	1	T 1.6
3		V805-000210	BOLT, TORX 5	2	TB-5*20 12.9
4		V855-000000	BOLT, TORX 5	2	TB-5*20
5		A301-000030	PLATE, MUFFLER	1	T0.5
6		V804-000030	BOLT, TORX 4	5	TB-4*8 10.9
7		A310-000100	SCREEN, ARRESTOR	1	
8		A031-000020	GUIDE, EXHAUST	1	

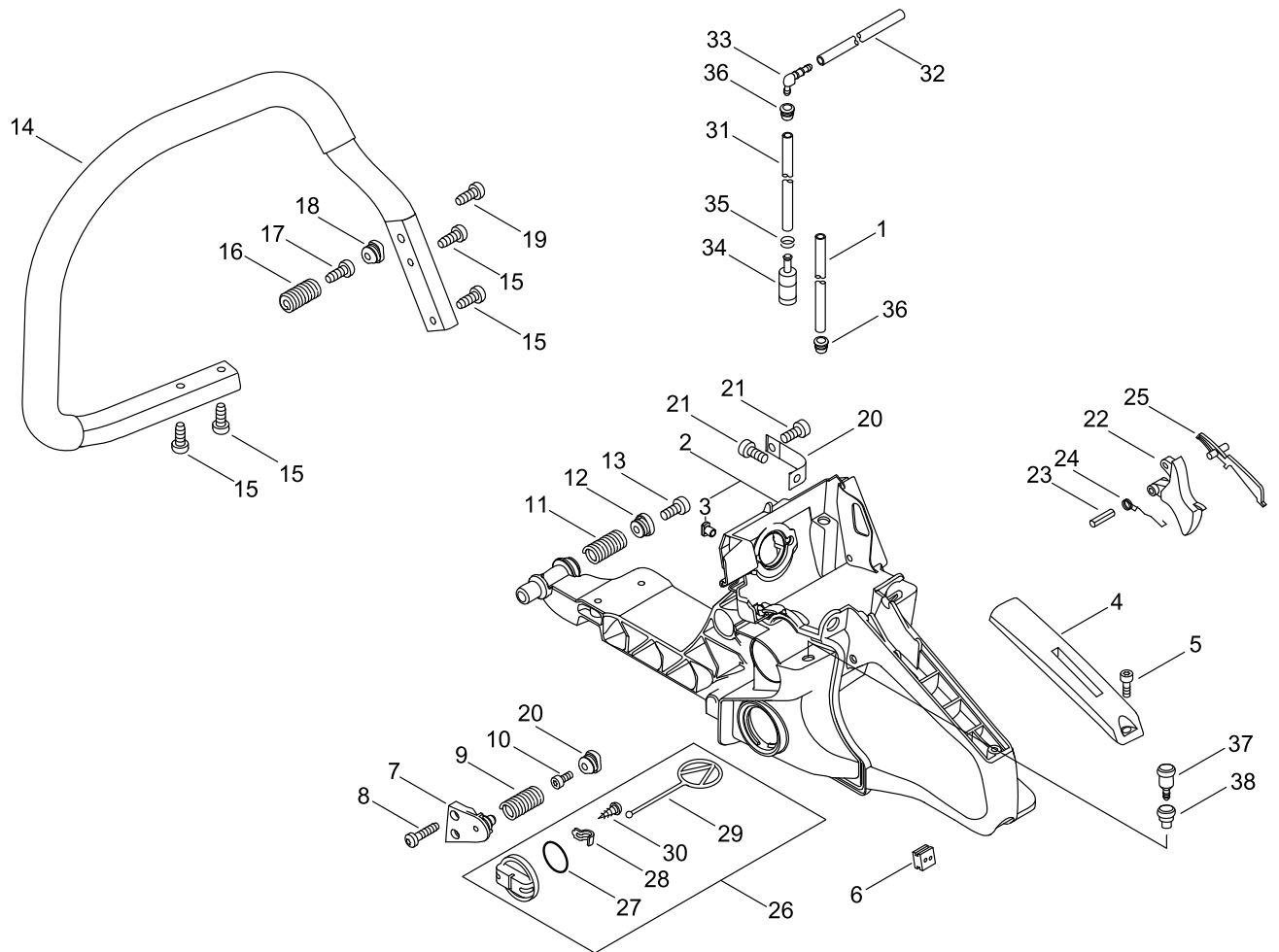
RECOIL STARTER



RECOIL STARTER

KEY NO	LV(+)	Part No	Description	Qty	Standard
1		P021-041832	STARTER ASY	1	
2	+	P021-047600	STATER CASE	1	
3	+	A506-000112	REEL, ROPE	1	
4	+	177220-35430	SPRING, REWIND	1	
5	+	A503-000032	PLATE, STARTER	1	
6	+	V804-000000	BOLT, TORX 4	2	TT-4*12 DG 10.9
7	+	A509-000460	ROPE	1	
8	+	177214-02830	WASHER	1	5.2*16*1.0T
9	+	V805-000130	BOLT, TORX 5	1	TB-5*10 10.9
10	+	A511-000072	GRIP, STARTER	1	
11		V805-000010	BOLT, TORX 5	4	TT-5*20 DG 10.9
12		V150-003800	PLATE,EYE	1	
13		A172-000842	COVER,FAN	1	
14		X502-000900	LABEL,ECHO	1	

HANDLE



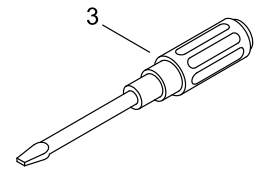
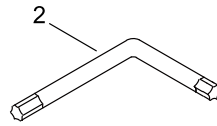
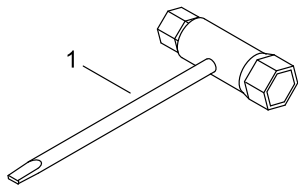
HANDLE

KEY NO	LV(+)	Part No	Description	Qty	Standard
1		130110-30830	PIPE, IMPULSE	1	
2		C410-001252	HANDLE, REAR	1	
3	+	V263-000450	NUT,5	2	
4		C411-000001	LID,HANDLE	1	
5		V804-000000	BOLT, TORX 4	1	TT-4*12 DG 10.9
6		150114-04920	BUSHING	1	
7		V456-000090	HOLDER,SPRING	1	
8		V805-000010	BOLT, TORX 5	2	TT-5*20 DG 10.9
9		V450-000760	SPRING,COMPRESSION	1	17*36.7*2.6
10		V805-000230	BOLT, TORX 5	1	TT-5*25 DG 10.9
11		V450-000771	SPRING,COMPRESSION	1	20*40*3.3
12		V456-000101	HOLDER,SPRING	1	
13		V806-000000	BOLT, TORX 6	1	TT-6*20 DG 10.9
14		C400-000550	HANDLE, FRONT	1	
15		V805-000010	BOLT, TORX 5	4	TT-5*20 DG 10.9
16		V450-000730	SPRING,COMPRESSION	1	17*38.4
17		V805-000000	BOLT, TORX 5	1	TT-5*16 DG 10.9
18		V456-000080	HOLDER,SPRING	2	14.4
19		V806-000000	BOLT, TORX 6	1	TT-6*20 DG 10.9
20		C617-000362	STOPPER	1	
21		V805-000000	BOLT, TORX 5	2	TT-5*16 DG 10.9
22		C450-000360	CONTROL, THROTTLE	1	
23		900345-40025	PIN, SPRING 4*25SUS	1	4*25SUS
24		V452-000260	SPRING,TORSION	1	
25		178090-37930	LOCKOUT, T. CONTROL	1	
26		P021-016041	CAP,FUER ASSY	1	
27	+	900720-20029	O-RING 29	1	P-29
28	+	131050-19830	RETAINER, LINK	1	
29	+	131051-19830	LINK	1	60L
30	+	900246-03008	SCREW 3*8	1	3*8
31		V471-000600	PIPE	1	3*5*120
32		130110-14530	PIPE, IMPULSE	1	3*6*135L
33		V186-000500	JOINT,PIPE	1	
34		131205-19832	STRAINER, FUEL	1	
35		V490-001240	CLIP	1	
36		132115-01461	GROMMET	2	
37		131300-56431	VENT ASSEMBLY, FUEL	1	
38		A359-000000	COVER,VENT	1	22.5*D18*D8.5

CHAIN BRAKE

KEY NO	LV(+)	Part No	Description	Qty	Standard
1		A556-001610	DRUM, CLUTCH	1	
2		175033-14731	SPROCKET, RIM 68210S	1	
3		A056-000221	CLUTCH ASY	1	VA
4	+	A552-000110	HUB, CLUTCH	1	
5	+	P021-007051	CLUTCH SHOE SET	1	
6	+	V451-000500	SPRING,TENSION	3	
7		A551-000110	PLATE, CLUTCH	1	12*36*2
8		V555-000010	BEARING,NEEDLE 10	1	
9		V307-000520	WASHER,CIRCULAR 10	1	
10		V583-000440	RING	1	8.1 T1.2
11		P021-050780	GUARD, SPROCKET ASY	1	
12	+	C300-000413	GUARD, SPROCKET	1	
13	+	C305-000101	PLATE,SPROCKET GUARD	1	
14	+	900241-03006	SCREW 3*6	1	3*6
15	+	V804-000000	BOLT, TORX 4	1	TT-4*12 DG 10.9
16	+	C309-000160	TENSIONER, CHAIN	1	
17	+	V203-002140	BOLT,5	1	
18	+	V355-000800	COLLAR,8	1	
19	+	V651-001040	GEAR,BEVEL	1	
20	+	V651-001050	GEAR,BEVEL	1	
21	+	C302-000090	PAD, GUARD	1	
22		C320-000182	LEVER, BRAKE	1	
23		V341-000131	WASHER,SQUARE	1	75*27*0.15
24		C345-000283	COVER,BRAKE	1	
25		V356-000440	COLLAR,10	2	11.2*16.2*T0.6
26		V452-000400	SPRING,TORSION	1	
27		V805-000000	BOLT, TORX 5	5	TT-5*16 DG 10.9
28		V804-000000	BOLT, TORX 4	1	TT-4*12 DG 10.9
29		C334-000110	CONNECTOR, BRAKE	1	
30		V450-000740	SPRING,COMPRESSION	1	12*70.5
31		V376-000450	SPACER	1	
32		C328-000121	BAND, BRAKE	1	
33		93050-30098	ROLLER	1	F3*9.8
34		C603-000220	PLATE, SIDE	1	T0.3
35		V356-000470	COLLAR,10	1	12*10*T1.0
36		C305-000111	PLATE,SPROCKET GUARD	1	
37		V265-000200	NUT	2	
38		X502-000340	LABEL,ECHO	1	ECHO(WHITE)
39		V652-000050	GEAR,WORM	1	
40		V358-000090	COLLAR,14	1	
41		900701-00015	CIRCLIP 15	1	CS-15
42		V311-000090	WASHER,CIRCULAR 16-1	1	15.5*22.5*0.5

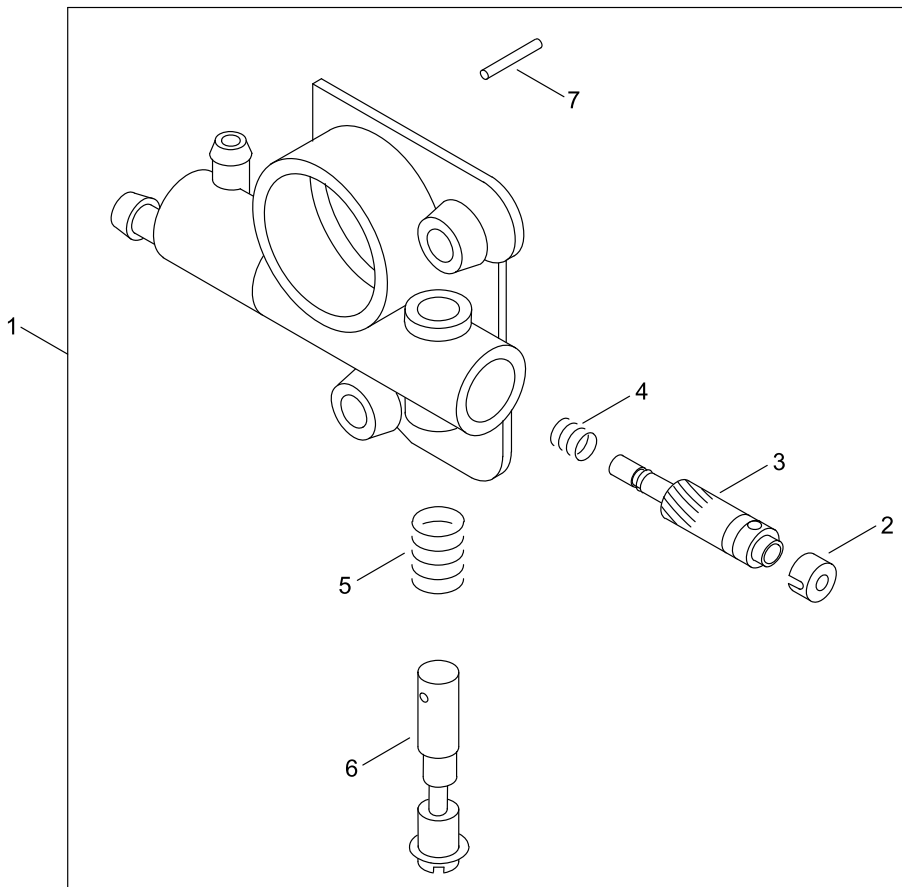
ACCESSORIES



ACCESSORIES

KEY NO	LV(+)	Part No	Description	Qty	Standard
1		X602-000080	TOOL,WRENCH	1	13*19 L180
2		X605-000190	TOOL,L WRENCH	1	T27 120*80
3		895812-03930	DRIVER, SCREW 50	1	

AUTO-OILER



AUTO-OILER

KEY NO	LV(+)	Part No	Description	Qty	Standard
1		C022-000052	AUTO-OILER ASSEMBLY	1	
2	+	P022-038170	CAP, PLUNGER	1	
3	+	P022-038180	SHAFT ASY-PLUNGER	1	
4	+	P022-038190	SPRING, PLUNGER	1	
5	+	P022-010670	SPRING	1	
6	+	P022-038200	SCREW KIT, ADJUST	1	
7	+	P022-038210	SPRING PIN	1	

GUIDE BAR, CHAIN

Pitch ピッチ (inch)	Gauge ゲージ (inch)	Length 長さ (inch)	Guide Bar ガイドバー		Saw Chain ソーチェン		Hard Nose ハード ノーズ 	Sprocket Nose スプロケット ノーズ 
			Key	Type 形式	Key	Type 形式		
3/8	0.058	18	A1	18D8LS3864	A2	73LPX-64		●
3/8	0.058	20	B1	20D8LS3870	B2	73LPX-70		●
3/8	0.058	24	C1	24D8LS3884	C2	73LPX-84		●
3/8	0.058	18	D1	18D8TW3866	D2	73LPX-66	●	
3/8	0.058	20	E1	20D8TW3872	E2	73LPX-72	●	
3/8	0.058	24	F1	24D8TW3884	F2	73LPX-84	●	
3/8	0.058	28	G1	28D8TW3892	G2	73LPX-92	●	

GUIDE BAR, CHAIN

KEY NO	LV(+)	Part No	Description	Qty	Standard
A1		X125-000290	BAR,GUIDE 45	1	
A2		X265-000060	CHAIN,SAW	1	73LPX-64
B1		X126-000240	BAR,GUIDE 50	1	
B2		X266-000070	CHAIN,SAW	1	
C1		X128-000080	BAR,GUIDE 60	1	
C2		X268-000040	CHAIN,SAW	1	73LPX-84
D1		X105-000050	BAR,GUIDE 45	1	18D8TW3866
D2		X265-000030	CHAIN,SAW	1	73LPX-66
E1		X106-000050	BAR,GUIDE 50	1	20D8TW3872
E2		X266-000060	CHAIN,SAW	1	73LPX-72
F1		X108-000020	BAR,GUIDE 60	1	24D8TW3884
F2		X268-000040	CHAIN,SAW	1	73LPX-84
G1		X110-000000	BAR,GUIDE 70	1	28D8TW3892
G2		X270-000050	CHAIN,SAW	1	73LPX-92

NUMERICAL PARTS INDEX

Part No	Part description	Page	Part No	Part description	Page	Part No	Part description	Page
100142-30830	KEY, WOODRUFF	6	436205-14730	STRAINER, OIL	4	A429-000040	COVER,CAP	6
123110-16130	SCREW, PUMP COVER	10	437210-30830	PIPE, OIL	4	A440-001190	SWITCH, ON OFF	4
123112-12330	DIAPHRAGM, FUEL PUMP	10	890157-39131	LABEL, SWITCH	8	A503-000032	PLATE, STARTER	14
123114-38830	SCREW	10	890345-39231	LABEL,CAUTION	4	A506-000112	REEL, ROPE	14
123116-16130	VALVE, THROTTLE	10	895812-03930	DRIVER, SCREW 50	20	A509-000460	ROPE	14
123121-03930	SPRING, NEEDLE	10	900241-03006	SCREW 3*6	18	A511-000072	GRIP, STARTER	14
123122-32630	SPRING, METER. LEVER	10	900246-03008	SCREW 3*8	4	A551-000110	PLATE, CLUTCH	18
123123-18330	LEVER, METERING	10	900246-03008	SCREW 3*8	16	A552-000110	HUB, CLUTCH	18
123124-19830	COVER, FUEL PUMP	10	900345-40025	PIN, SPRING 4*25SUS	16	A556-001610	DRUM, CLUTCH	18
123125-12330	GASKET, FUEL PUMP	10	900515-00008	NUT, FLANGE 8	6	C022-000052	AUTO-OILER ASSEMBLY	4
123126-10631	SCREEN, INLET	10	900603-00005	WASHER 5	6	C022-000052	AUTO-OILER ASSEMBLY	22
123127-15030	RING	10	900701-00015	CIRCLIP 15	18	C300-000413	GUARD, SPROCKET	18
123130-02960	SCREW	10	900720-00028	O-RING 28	4	C302-000090	PAD, GUARD	18
123132-16130	VALVE, CHOKE	10	900720-20029	O-RING 29	16	C304-000280	SPIKED	4
123133-04260	SPRING, IDLE ADJUST	10	93050-30098	ROLLER	18	C305-000101	PLATE,SPROCKET GUARD	18
123134-04260	SCREW, IDLE ADJUST	10	94036-46202	BEARING BALL	4	C305-000111	PLATE,SPROCKET GUARD	18
123137-19830	VALVE, INLET NEEDLE	10	A011-001270	CRANKSHAFT,ASY	2	C309-000160	TENSIONER, CHAIN	18
123138-03930	PIN, METERING LEVER	10	A014-000110	RELEASE ASY., COMP.	2	C310-000010	CATCHER, CHAIN	4
123140-16130	GASKET, M. DIAPHRAGM	10	A021-004560	CARBURETOR, DIAPHRAGM	8	C320-000182	LEVER, BRAKE	18
123142-17330	COVER, M. DIAPHRAGM	10	A021-004560	CARBURETOR, DIAPHRAGM	10	C328-000121	BAND, BRAKE	18
123146-10631	PLUG, WELCH	10	A031-000020	GUIDE, EXHAUST	12	C334-000110	CONNECTOR, BRAKE	18
123149-26030	WASHER	10	A056-000221	CLUTCH ASY	18	C345-000283	COVER,BRAKE	18
123149-39130	WASHER	10	A101-000210	RING, PISTON	2	C400-000550	HANDLE, FRONT	16
123156-30830	STOP, THROTTLE	10	A130-002041	CYLINDER	2	C410-001252	HANDLE, REAR	16
130110-14530	PIPE, IMPULSE	16	A160-001081	COVER,CYLINDER	4	C411-000001	LID,HANDLE	16
130110-30830	PIPE, IMPULSE	16	A172-000842	COVER,FAN	14	C450-000360	CONTROL, THROTTLE	16
131050-19830	RETAINER, LINK	4	A202-000081	BELLOWS, INTAKE	8	C454-000170	ROD, THROTTLE	8
131050-19830	RETAINER, LINK	16	A206-000010	HOLDER, BELLOWS	8	C603-000220	PLATE, SIDE	18
131051-19830	LINK	4	A219-000000	SHUTTER, AIR	8	C617-000362	STOPPER	16
131051-19830	LINK	16	A226-000441	ELEMENT, AIR FILTER	8	E106-000020	GUIDE,AIR	4
131205-19832	STRAINER, FUEL	16	A226-000452	ELEMENT, AIR FILTER	8	P003-000560	SPRING, THRT. RETURN	10
131300-56431	VENT ASSEMBLY, FUEL	16	A232-000472	LID,CLEANER	8	P003-000610	SPRING	10
132115-01461	GROMMET	4	A235-000201	KNOB,CLEANER LID	8	P003-000620	LEVER-FAST IDLE	10
132115-01461	GROMMET	16	A239-000060	PIPE, INTAKE	4	P003-002280	SHAFT,THROTTLE	10
150114-04920	BUSHING	16	A239-000070	PIPE, INTAKE	4	P003-002290	SHAFT, CHOKE	10
156110-04920	BUSHING	6	A241-000171	KNOB, CHOKE	8	P003-002300	LEVER, CHOKE	10
159010-19830	PLUG, SPARK (BPM-8Y)	6	A244-000080	PLATE, PREVENT	8	P003-002380	SCREW	10
175033-14731	SPROCKET, RIM 68210S	18	A300-001570	MUFFLER, EXHAUST	12	P003-004920	DIAPHRAGM ASSY	10
177214-02830	WASHER	14	A301-000030	PLATE, MUFFLER	12	P003-004970	NEEDLE	10
177218-19830	PAWL, STARTER	6	A310-000100	SCREEN, ARRESTOR	12	P003-005250	NEEDLE	10
177220-35430	SPRING, REWIND	14	A359-000000	COVER,VENT	16	P003-005400	SCREW	10
177234-35430	SPRING, RETURN	6	A409-000360	ROTOR, MAGNETO	6	P021-007051	CLUTCH SHOE SET	18
177247-04630	SPACER, RATCHET	6	A426-000010	TERMINAL,SPARKPLUG	6	P021-016023	CASE,CLEANER	8
178090-37930	LOCKOUT, T. CONTROL	16	A427-000013	CAP,SPARK PLUG	6	P021-016031	CAP, OIL	4
436114-13930	VALVE, CHECK	4						

NUMERICAL PARTS INDEX

Part No	Part description	Page	Part No	Part description	Page	Part No	Part description	Page
P021-016041	CAP,FUER ASSY	16	V452-000400	SPRING,TORSION	18	X108-000020	BAR,GUIDE 60	24
P021-016372	ELEMENT,AIR FILTER	8	V456-000080	HOLDER,SPRING	16	X110-000000	BAR,GUIDE 70	24
P021-038360	COIL, IGNITION	6	V456-000090	HOLDER,SPRING	16	X125-000290	BAR,GUIDE 45	24
P021-038790	PISTON KIT	2	V456-000101	HOLDER,SPRING	16	X126-000240	BAR,GUIDE 50	24
P021-041832	STARTER ASY	14	V470-000830	PIPE	4	X128-000080	BAR,GUIDE 60	24
P021-043312	CRANKCASE SET	4	V471-000600	PIPE	16	X265-000030	CHAIN,SAW	24
P021-047600	STATER CASE	14	V475-004130	TUBE	6	X265-000060	CHAIN,SAW	24
P021-050780	GUARD, SPROCKET ASY	18	V485-001091	LEAD	6	X266-000060	CHAIN,SAW	24
P022-010670	SPRING	22	V485-001101	LEAD	4	X266-000070	CHAIN,SAW	24
P022-038170	CAP, PLUNGER	22	V490-001240	CLIP	4	X268-000040	CHAIN,SAW	24
P022-038180	SHAFT ASY-PLUNGER	22	V490-001240	CLIP	16	X270-000050	CHAIN,SAW	24
P022-038190	SPRING, PLUNGER	22	V508-000100	SEAL,OIL 15	4	X502-000340	LABEL,ECHO	18
P022-038200	SCREW KIT, ADJUST	22	V555-000010	BEARING,NEEDLE 10	18	X502-000900	LABEL,ECHO	14
P022-038210	SPRING PIN	22	V556-000000	BEARING,NEEDLE 11	2	X503-013100	LABEL,MODEL	8
V100-000270	GASKET,CYL	2	V580-000030	RING,END	2	X505-006940	LABEL,CAUTION	4
V102-000060	GASKET,CRANKCASE	4	V583-000440	RING	18	X602-000080	TOOL,WRENCH	20
V104-002150	GASKET,EXHAUST	12	V609-000010	PIN,ENG 11	2	X605-000190	TOOL,L WRENCH	20
V130-000030	GROMMET,CHOKE	8	V651-001040	GEAR,BEVEL	18			
V131-000020	GROMMET,NEEDLE	8	V651-001050	GEAR,BEVEL	18			
V141-000090	GROMMET,PLUG	2	V652-000050	GEAR,WORM	18			
V150-003800	PLATE,EYE	14	V804-000000	BOLT, TORX 4	4			
V186-000500	JOINT,PIPE	16	V804-000000	BOLT, TORX 4	14			
V203-002140	BOLT,5	18	V804-000000	BOLT, TORX 4	16			
V205-000401	BOLT,8	4	V804-000000	BOLT, TORX 4	18			
V263-000450	NUT,5	16	V804-000030	BOLT, TORX 4	12			
V265-000200	NUT	18	V805-000000	BOLT, TORX 5	4			
V307-000520	WASHER,CIRCULAR 10	18	V805-000000	BOLT, TORX 5	6			
V308-000040	WASHER,CIRCULAR 11	2	V805-000000	BOLT, TORX 5	8			
V311-000090	WASHER,CIRCULAR 16-1	18	V805-000000	BOLT, TORX 5	16			
V341-000131	WASHER,SQUARE	18	V805-000000	BOLT, TORX 5	18			
V341-000140	WASHER,SQUARE	4	V805-000010	BOLT, TORX 5	4			
V355-000800	COLLAR,8	18	V805-000010	BOLT, TORX 5	14			
V356-000440	COLLAR,10	18	V805-000010	BOLT, TORX 5	16			
V356-000470	COLLAR,10	18	V805-000020	BOLT, TORX 5	4			
V358-000090	COLLAR,14	18	V805-000080	BOLT, TORX 5	8			
V360-000060	COLLAR,18	8	V805-000130	BOLT, TORX 5	14			
V376-000450	SPACER	18	V805-000170	BOLT, TORX 5	4			
V376-001780	SPACER	4	V805-000210	BOLT, TORX 5	12			
V420-003800	CUSHION	4	V805-000220	BOLT, TORX 5	2			
V450-000730	SPRING,COMPRESSION	16	V805-000230	BOLT, TORX 5	16			
V450-000740	SPRING,COMPRESSION	18	V806-000000	BOLT, TORX 6	16			
V450-000760	SPRING,COMPRESSION	16	V835-000000	BOLT, TORX 5	6			
V450-000771	SPRING,COMPRESSION	16	V855-000000	BOLT, TORX 5	12			
V451-000500	SPRING,TENSION	18	X105-000050	BAR,GUIDE 45	24			
V452-000260	SPRING,TORSION	16	X106-000050	BAR,GUIDE 50	24			