

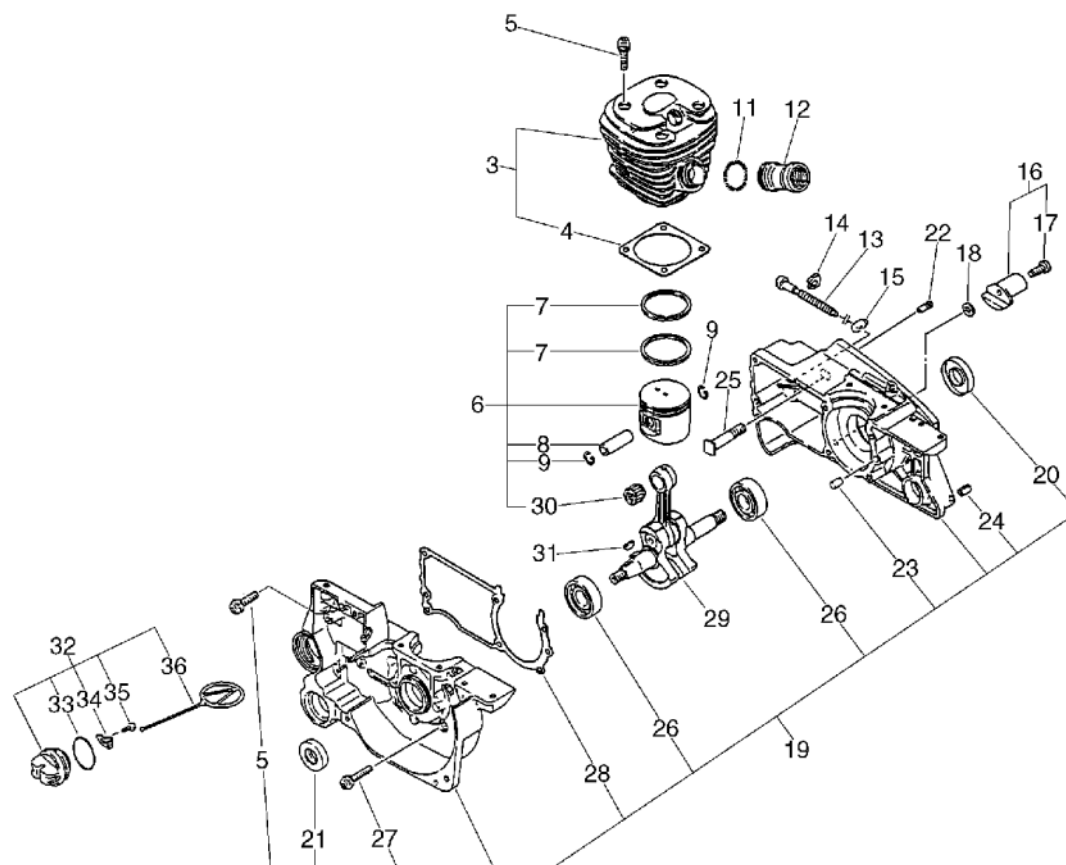


# **PARTS CATALOGUE**

## **CHAIN SAW CS-5000**

# 1. Cylinder, Crankcase, Piston

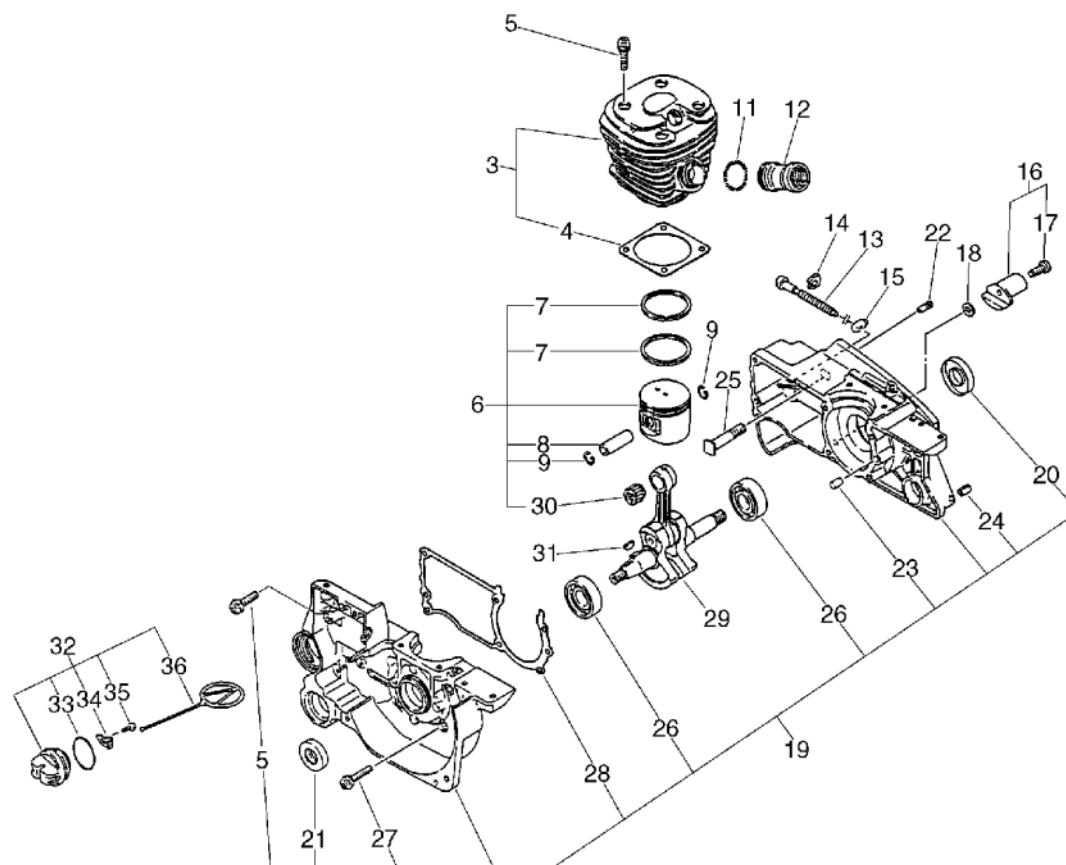
## No.1



KEY	LV	PART NUMBER	Q'TY	DESCRIPTION	REMARKS	NOTE1	NOTE2
3		101001-39730	1	CYLINDER ASSY			
4	+	101010-39730	1	GASKET, CYL. BASE			
5		900162-05020	4	BOLT, H.S. 5*20	5*20 W,SW		
6		100000-39730	1	PISTON KIT			
7	+	100011-39730	2	RING, PISTON			
8	+	100013-39730	1	PIN, PISTON			
9	+	100015-00120	2	CIRCLIP, PISTON PIN			
30	+	100012-19830	1	BEARING, NEEDLE			
11		130516-19830	1	BAND			
12		130510-33330	1	ADAPTER, INTAKE			
13		433016-19830	1	SCREW, TENSIONER (A)			
14		433028-11030	1	CLIP			
15		433014-19830	1	TENSIONER			
16		433000-33330	1	CATCHER KIT, CHAIN			
17	+	900220-05018	1	SCREW 5*18	5*18		
18		900600-00005	1	WASHER 5	5		
19		100204-39731	1	CRANKCASE KIT		Sus. by P021-000840	
19		P021-000840	1	CRANKCASE KIT			
5	+	900162-05020	2	BOLT, H.S. 5*20	5*20 W,SW		
20	+	100212-32430	1	OILSEAL (L)	25Z-15*39.9*7		
21	+	100212-19830	1	OILSEAL	ISM 15*25*6		
22	+	436114-13930	1	VALVE, CHECK		Sus. by 436114-37830	
22	+	436114-37830	1	VALVE, CHECK			

# 1. Cylinder, Crankcase, Piston

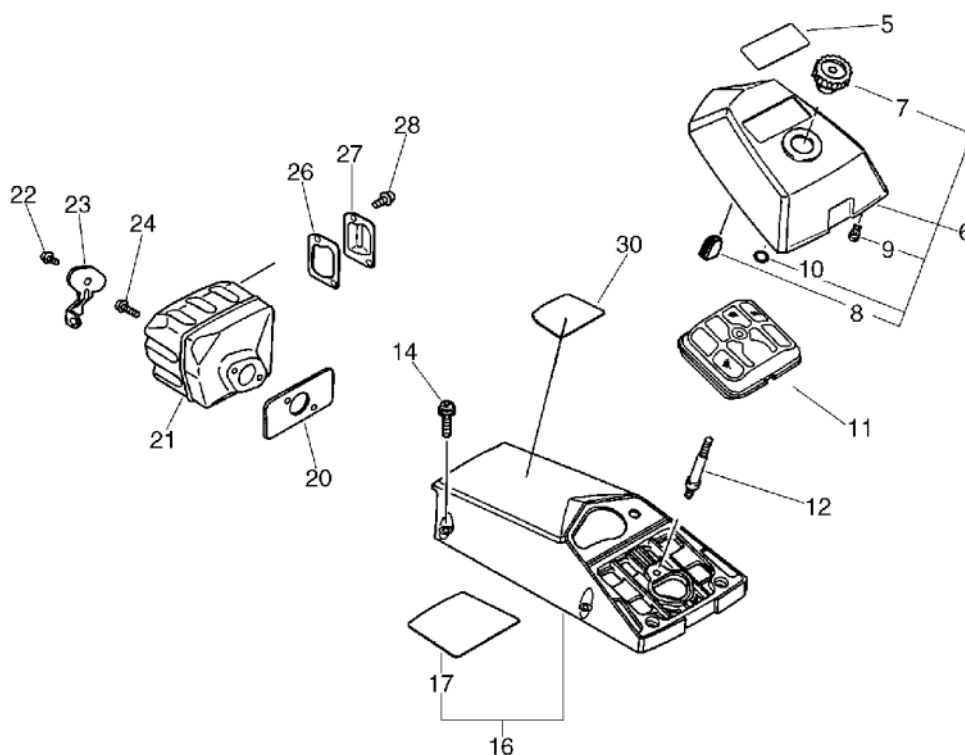
## No.1



KEY	LV	PART NUMBER	Q'TY	DESCRIPTION	REMARKS	NOTE1	NOTE2
23	+	100215-02830	2	PIN, DOWEL			
24	+	900345-50010	1	PIN, SPRING 5*10SUS	5*10SUS		
25	+	433011-19830	2	STUD, GUIDE BAR			
26	+	900810-36202	2	BEARING, BALL 6202	6202/C3		
27	+	900162-05030	4	BOLT, H.S. 5*30	5*30 W,SW		
28	+	100242-39730	1	GASKET, CRANKCASE			
29		100100-33330	1	CRANKSHAFT ASSY			
31		100142-30830	1	KEY, WOODRUFF			
32		436001-19833	1	CAP ASSY, OIL TANK		Sus. by P021-009130	
32		P021-009130	1	OIL CAP ASY			
33	+	900725-02025	1	O-RING	JASO 2025		
34	+	131050-19830	1	RETAINER, LINK		Sus. by A365-000050	
34	+	A365-000050	1	CONNECTOR,CAP			
35	+	900246-03008	1	SCREW 3*8	3*8		
36	+	131051-19830	1	LINK	60L		

## 2. Air Cleaner, Muffler

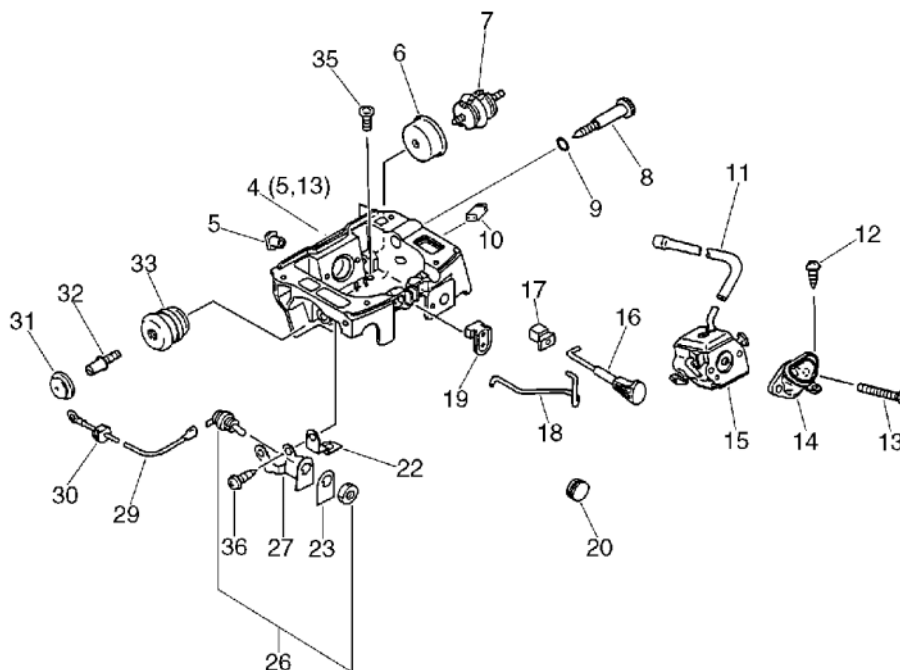
No.2



KEY	LV	PART NUMBER	Q'TY	DESCRIPTION	REMARKS	NOTE1	NOTE2
5		890611-39730	1	LABEL, MODEL			
6		130302-33330	1	COVER ASSY, AIR CLN.			
7	+	130406-33331	1	KNOB, CLEANER LID			
8	+	130338-32430	1	PLUG, COVER			
9	+	130366-33330	4	STOPPER (A)			
10	+	900720-00011	1	O-RING P-11	P-11		
11		130300-33330	1	FILTER, AIR			
12		130325-33330	1	BOLT 5			
14		900238-05018	5	SCREW 5*18	5*18		
16		101501-33330	1	COVER, CYLINDER (BS)			
17	+	101520-33330	1	COVER			
20		145510-19831	1	GASKET, MUFFLER			
21		145610-33330	1	MUFFLER (BL)			
22		900105-05010	1	BOLT, H.S. 5*10	5*10		
23		145711-33330	1	BRACKET, MUFFLER (BL)			
24		900162-05020	2	BOLT, H.S. 5*20	5*20 W,SW		
26		145866-33331	1	GASKET, MUFFLER LID			
27		145861-33330	1	LID, MUFFLER (BL)			
28		900105-04010	2	BOLT, H.S. 4*10	4*10		
30		890345-39230	1	LABEL, CAUTION			

### 3. Carburetor Case

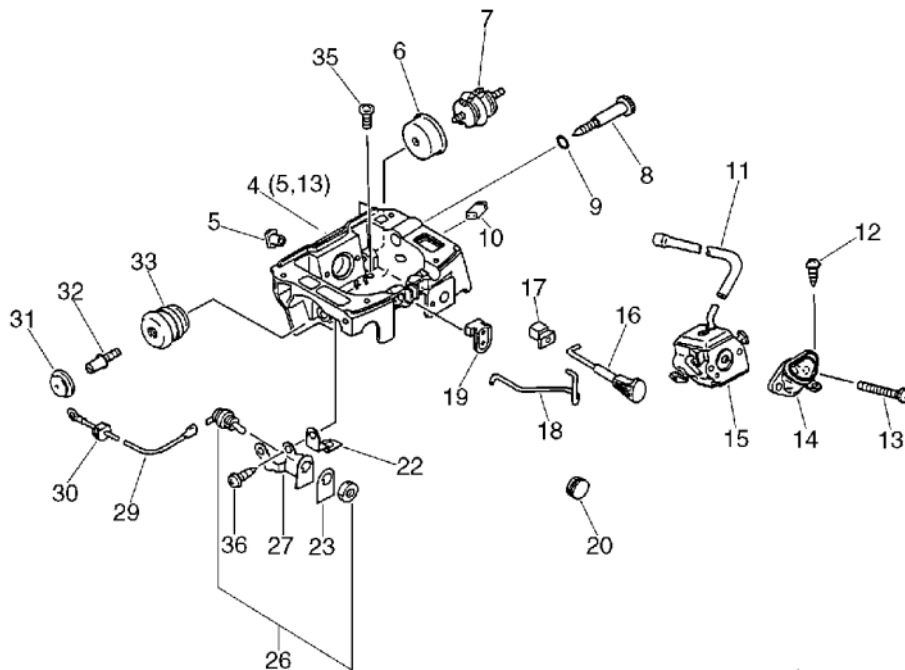
#### No.3



KEY	LV	PART NUMBER	Q'TY	DESCRIPTION	REMARKS	NOTE1	NOTE2
4		130306-33733	1	CASE, CARBURETOR			
5	+	130020-33330	2	NUT			
13	+	900162-05050	2	BOLT, H.S. 5*50	5*50 W,SW		
6		100927-19830	1	CUSHION (D)			
7		100905-37530	1	CUSHION			
8		129013-19830	1	SCREW, IDLE ADJUST			
9		900720-00006	1	O-RING 6	P-6		
10		129010-33330	1	GROMMET		Sr/Nr 501005 and before	
10		129010-39730	1	GROMMET, NEEDLE		Sr/Nr 501006 and after	
11		130110-19830	1	PIPE, IMPULSE			
12		900253-05014	1	SCREW 5*14	5*14		
14		130518-33330	1	GASKET (BL)			
15		123000-37530	1	CARBURETOR ASSY	HDA-82		
16		178510-33330	1	ROD, CHOKE			
17		178810-33330	1	GROMMET, CHOKE		Sus. by 178810- 33331	
17		178810-33331	1	GROMMET, CHOKE			
18		178011-33731	1	ROD, THROTTLE			
19		178114-33731	1	HOLDER, THR. LEVER			
20		163911-30130	1	PLUG			
22		156635-33330	1	PLATE, GROUND			
23		890157-30130	1	LABEL, SWITCH			
26		163400-30830	1	SWITCH, IGNITION			
27		163810-30130	1	BRACKET, SWITCH			

### 3. Carburetor Case

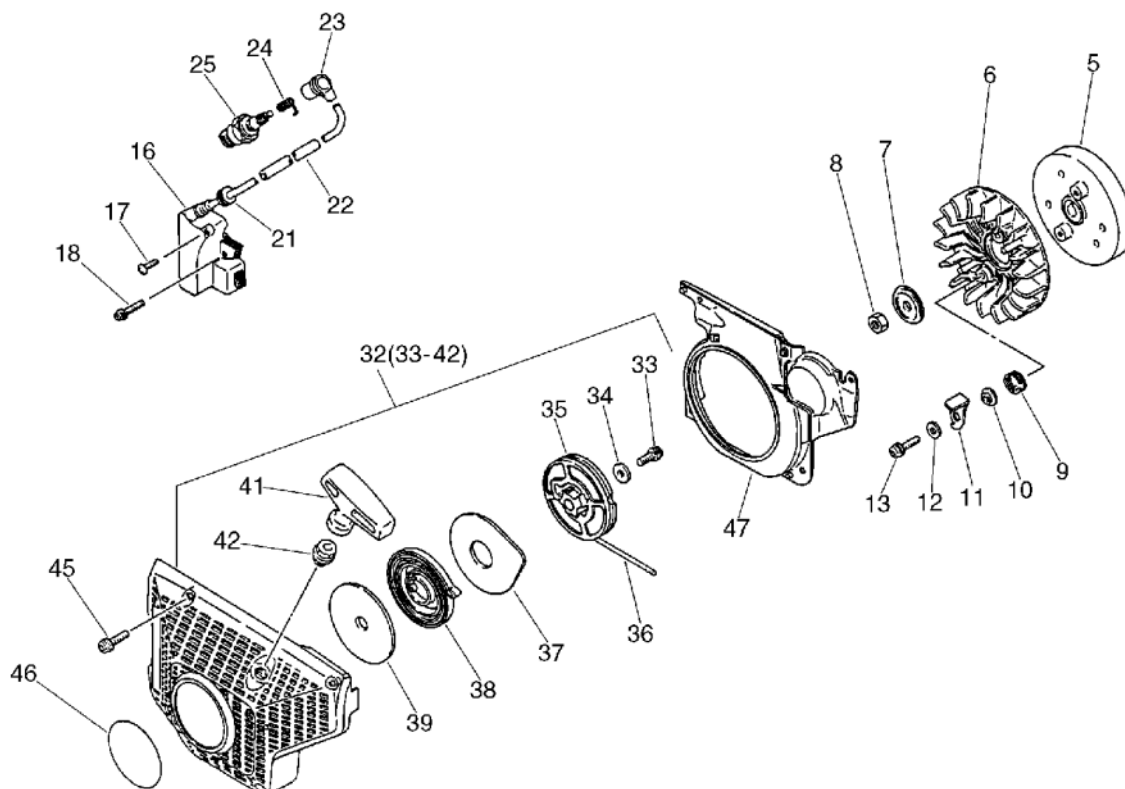
No.3



KEY	LV	PART NUMBER	Q'TY	DESCRIPTION	REMARKS	NOTE1	NOTE2
29		162021-19831	1	LEAD			
30		156114-04920	1	GROMMET			
31		100918-19830	1	CAP, CUSHION			
32		100915-33930	1	SCREW			
33		100921-19830	1	CUSHION			
35		900238-05018	4	SCREW 5*18	5*18		
36		900253-05010	1	SCREW 5*10	5*10		

## 4. Starter, Magneto

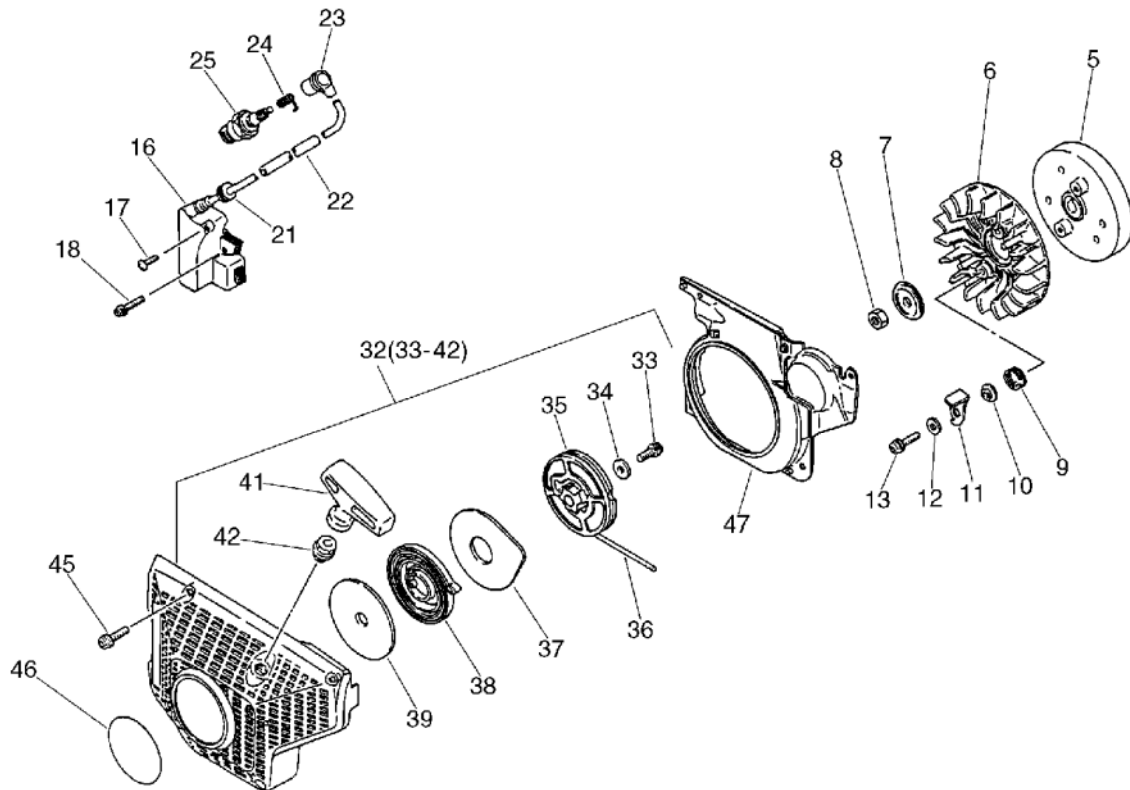
No.4



KEY	LV	PART NUMBER	Q'TY	DESCRIPTION	REMARKS	NOTE1	NOTE2
5		156800-32631	1	ROTOR, MAGNETO			
6		101521-39730	1	FAN, COOLING			
7		100143-19830	1	WASHER	8.2*31*0.8		
8		900500-00008	1	NUT 8	8*P1.25		
9		177234-19830	2	SPRING, RETURN		Sus. by 177234-19832	
9		177234-19831	2	SPRING, RETURN		Sus. by 177234-19832	
9		177234-19832	2	SPRING, RETURN			
10		177247-19830	2	SPACER, RATCHET			
11		177218-19830	2	PAWL, STARTER			
12		900603-00005	2	WASHER 5	5.5*12*0.8		
13		900238-05014	2	SCREW 5*14	5*14		
16		156626-39731	1	COIL, IGNITION			
17		900220-04008	1	SCREW 4*8	4*8		
18		900162-04020	2	BOLT, H.S. 4*20	4*20 W,SW		
21		150112-00310	1	BUSHING			
22		156613-13930	1	TUBE	8*9.6*35		
23		159012-03433	1	CAP, SPARK PLUG			
24		159011-03432	1	COIL, SPARK PLUG			
25		159017-31730	1	PLUG, SPARK RCJ-6Y	RCJ-6Y		
32		177200-19932	1	STARTER ASSY			
33	+	900238-05014	1	SCREW 5*14	5*14		
34	+	900603-00005	1	WASHER 5	5.5*12*0.8		
35	+	177215-19830	1	DRUM, STARTER			
36	+	177226-19830	1	ROPE, STARTER	3.5*850		

# 4. Starter, Magneto

No.4

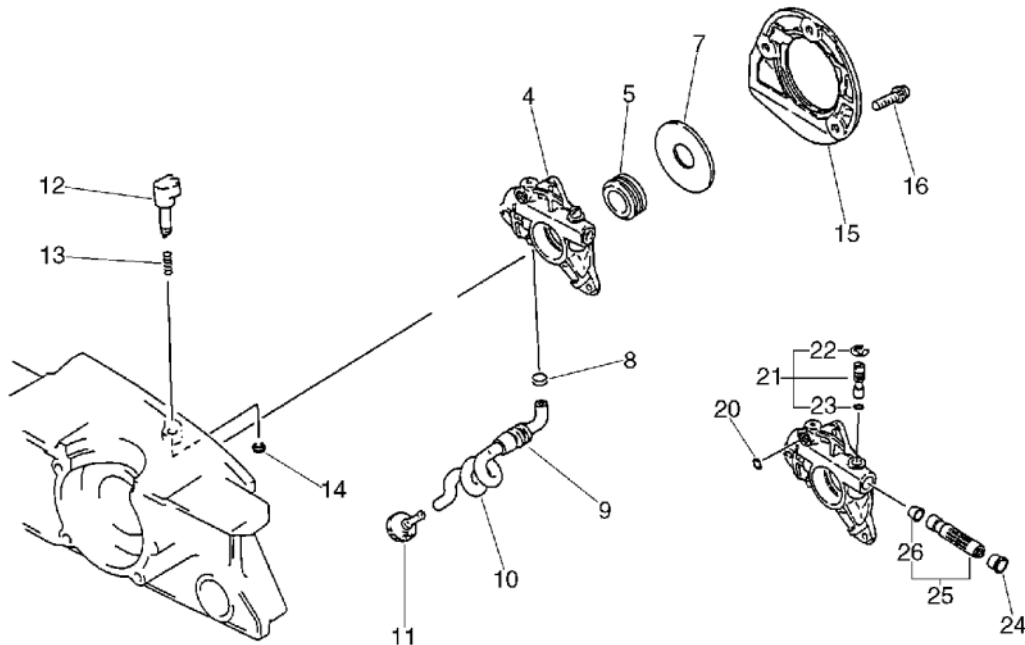


KEY	LV	PART NUMBER	Q'TY	DESCRIPTION	REMARKS	NOTE1	NOTE2
37	+	177242-03930	1	PLATE, STARTER			
38	+	177220-03930	1	SPRING, REWIND			
39	+	177221-03930	1	PLATE, STARTER			
41	+	177228-19830	1	GRIP, STARTER			
42	+	177227-05020	1	GUIDE, ROPE			
45		900238-05018	4	SCREW 5*18	5*18		
46		890118-35430	1	LABEL, ECHO		Sus. by 890118-49330	
46		890118-49330	1	LABEL, ECHO			
47		101535-39730	1	COVER, FAN			



# 5. Auto-Oiler

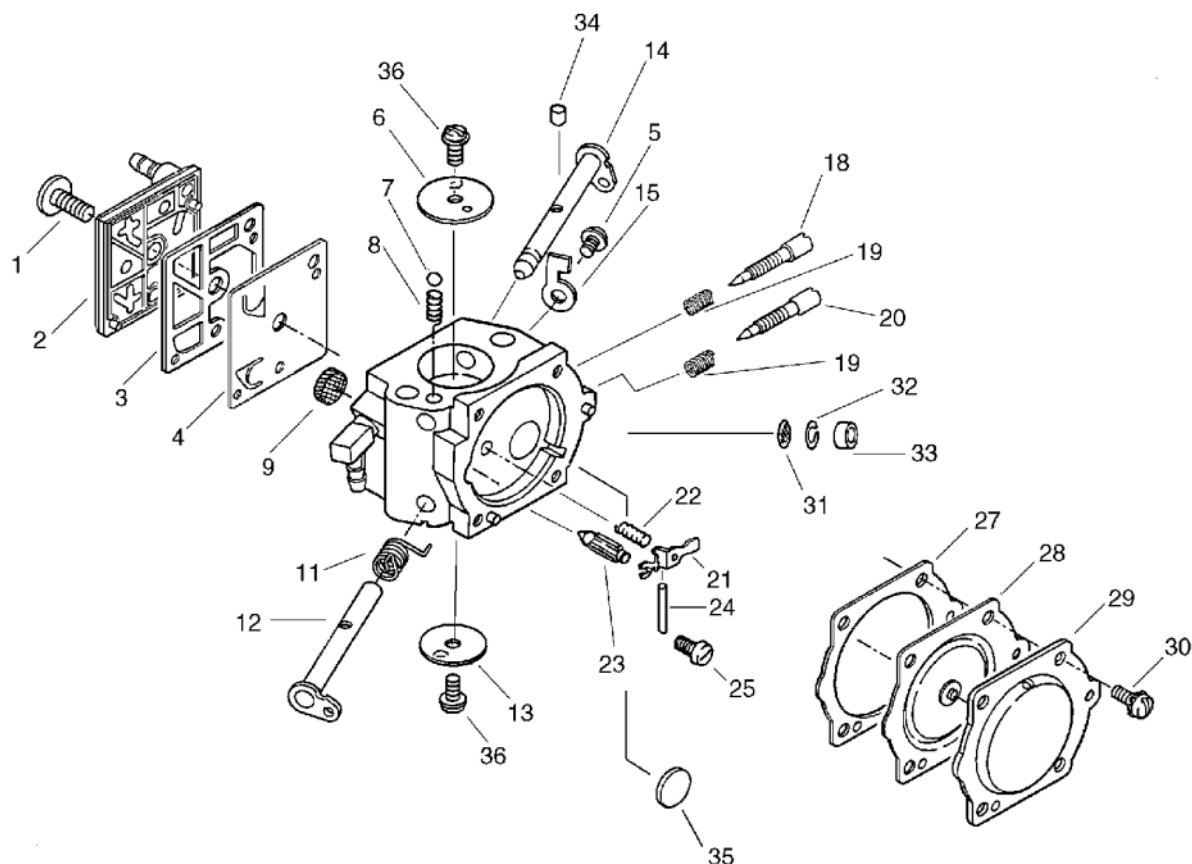
No.5



KEY	LV	PART NUMBER	Q'TY	DESCRIPTION	REMARKS	NOTE1	NOTE2
4		437002-37530	1	AUTO-OILER ASSY			
20	+	900720-00003	1	O-RING P-3	P-3		
21	+	437009-35430	1	PIN, CONTROL			
22	++	437065-19830	1	CLIP			
23	++	437030-19830	1	O-RING			
24	+	437062-19830	1	CAP, PLUNGER			
25	+	437006-32330	1	PLUNGER KIT			
26	++	437020-32430	1	V-RING			
5		437063-19930	1	WORM (P)			
7		437066-30130	1	WASHER, CIRCULAR 12			
8		132013-26630	1	CLIP	6.5MM		
9		132115-12330	1	GROMMET			
10		437210-39730	1	PIPE			
11		436205-14730	1	STRAINER, OIL			
12		437039-19831	1	KNOB			
13		437015-19830	1	SPRING			
14		900700-00003	1	E-RING 3	CE-3		
15		437605-32430	1	COVER, OIL PUMP			
16		900238-04012	3	SCREW 4*12	4*12		

## 6. Carburetor

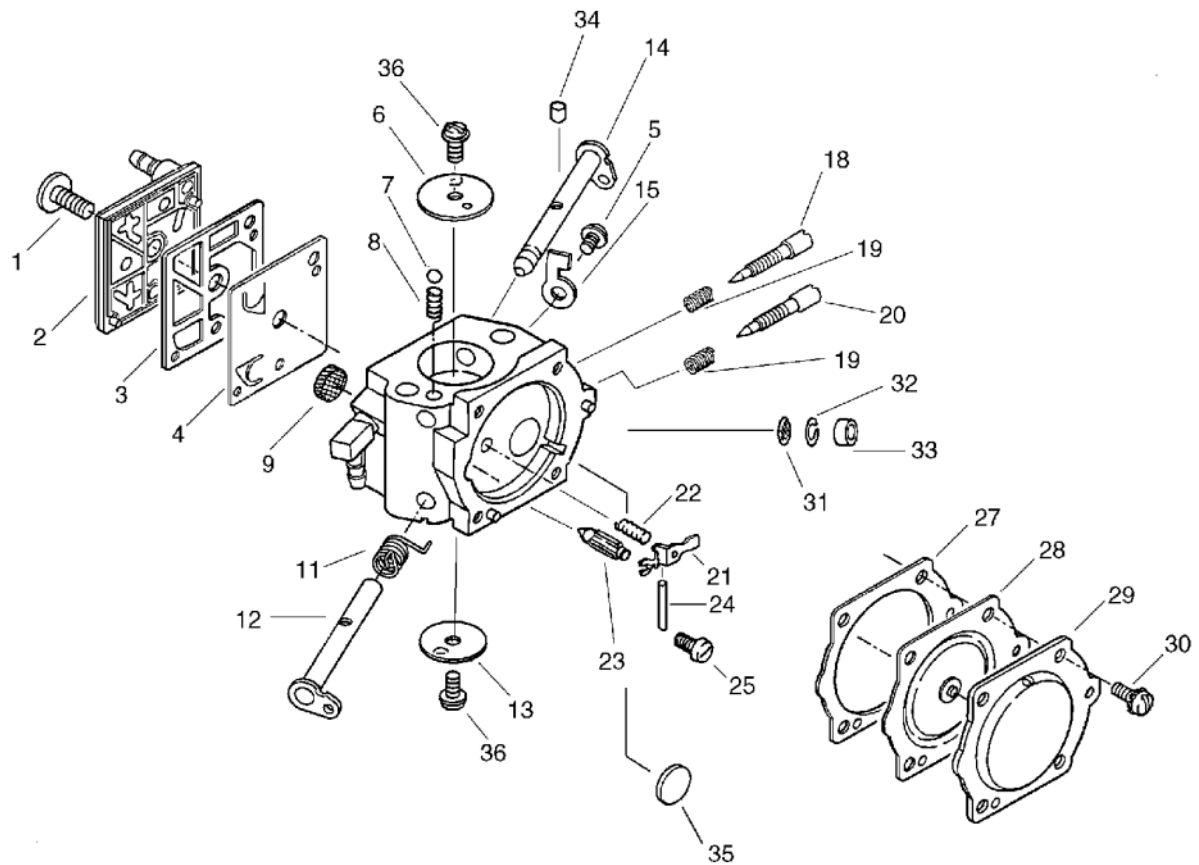
No.6



KEY	LV	PART NUMBER	Q'TY	DESCRIPTION	REMARKS	NOTE1	NOTE2
		123000-37530	1	CARBURETOR ASSY	HDA-82		
1	+	123110-03930	1	SCREW, PUMP COVER			
2	+	123124-19830	1	COVER, FUEL PUMP			
3	+	123125-12330	1	GASKET, FUEL PUMP			
4	+	123112-12330	1	DIAPHRAGM, FUEL PUMP			
5	+	123114-03930	1	SCREW		Sus. by 123114-38830	
5	+	123114-38830	1	SCREW			
6	+	123132-32430	1	VALVE, CHOKE			
7	+	123136-10630	1	BALL, CHOKE FRICTION			
8	+	123135-10630	1	SPRING, CHOKE FRICT.			
9	+	123126-10631	1	SCREEN, INLET			
11	+	123113-16130	1	SPRING, THRT. RETURN			
12	+	123117-19830	1	SHAFT, THROTTLE			
13	+	123116-10530	1	VALVE, THROTTLE			
14	+	123131-19830	1	SHAFT, CHOKE			
15	+	123156-12330	1	STOP, THROTTLE			
18	+	123120-37530	1	NEEDLE, HIGH SPEED			
19	+	123121-16130	2	SPRING, NEEDLE			
20	+	123118-18330	1	NEEDLE, IDLE			
21	+	123123-18330	1	LEVER, METERING			
22	+	123122-03930	1	SPRING, METER. LEVER			
23	+	123137-19830	1	VALVE, INLET NEEDLE			
24	+	123138-03930	1	PIN, METERING LEVER			
25	+	123139-03930	1	SCREW, M. LEVER PIN			
27	+	123140-16131	1	GASKET, M. DIAPHRAGM			

## 6. Carburetor

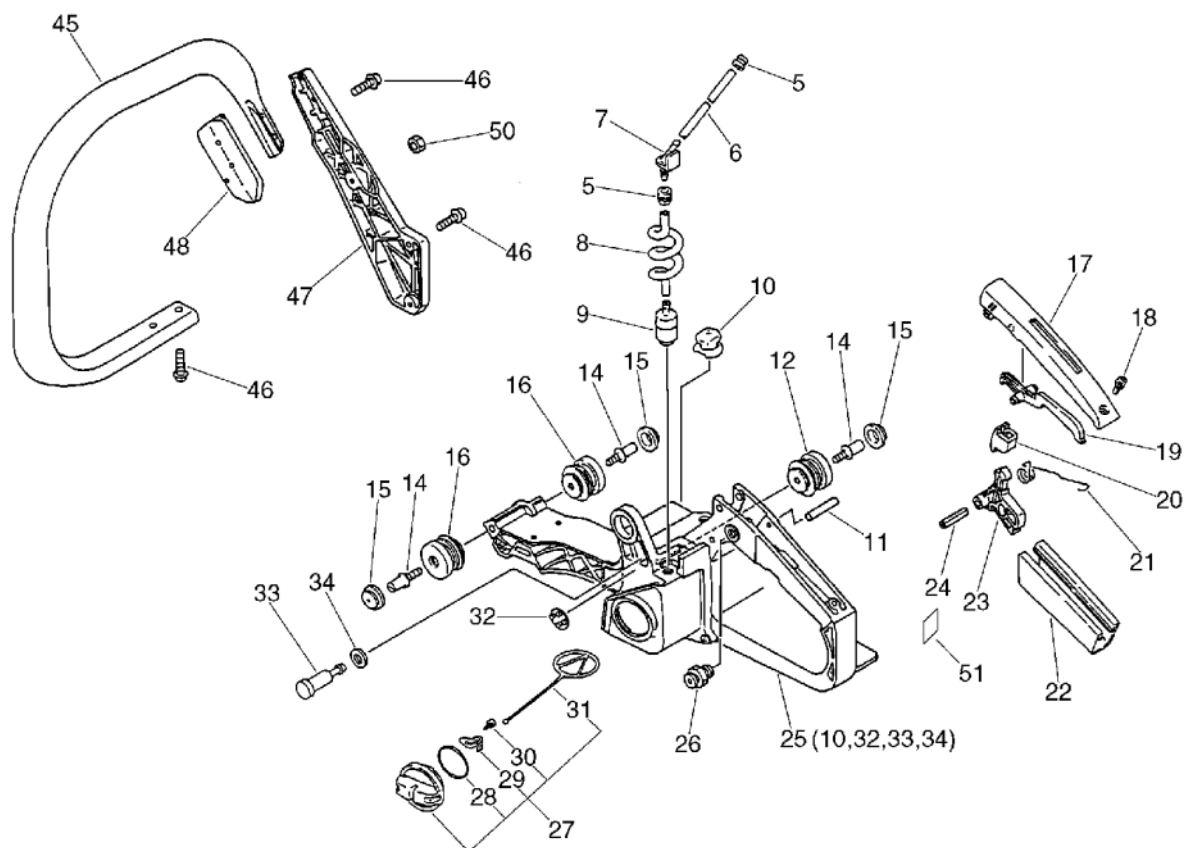
No.6



KEY	LV	PART NUMBER	Q'TY	DESCRIPTION	REMARKS	NOTE1	NOTE2
28	+	123141-16131	1	DIAPHRAGM, METERING			
29	+	123142-17330	1	COVER, M. DIAPHRAGM			
30	+	123130-02960	4	SCREW			
31	+	123168-03930	1	SCREEN			
32	+	123169-10630	1	RING, RETAINING			
33	+	123146-17330	1	PLUG, CUP			
34	+	123178-15030	1	PLUG, FRICTION			
35	+	123146-10631	1	PLUG, WELCH			
36	+	123114-38830	2	SCREW			

## 7. Handle

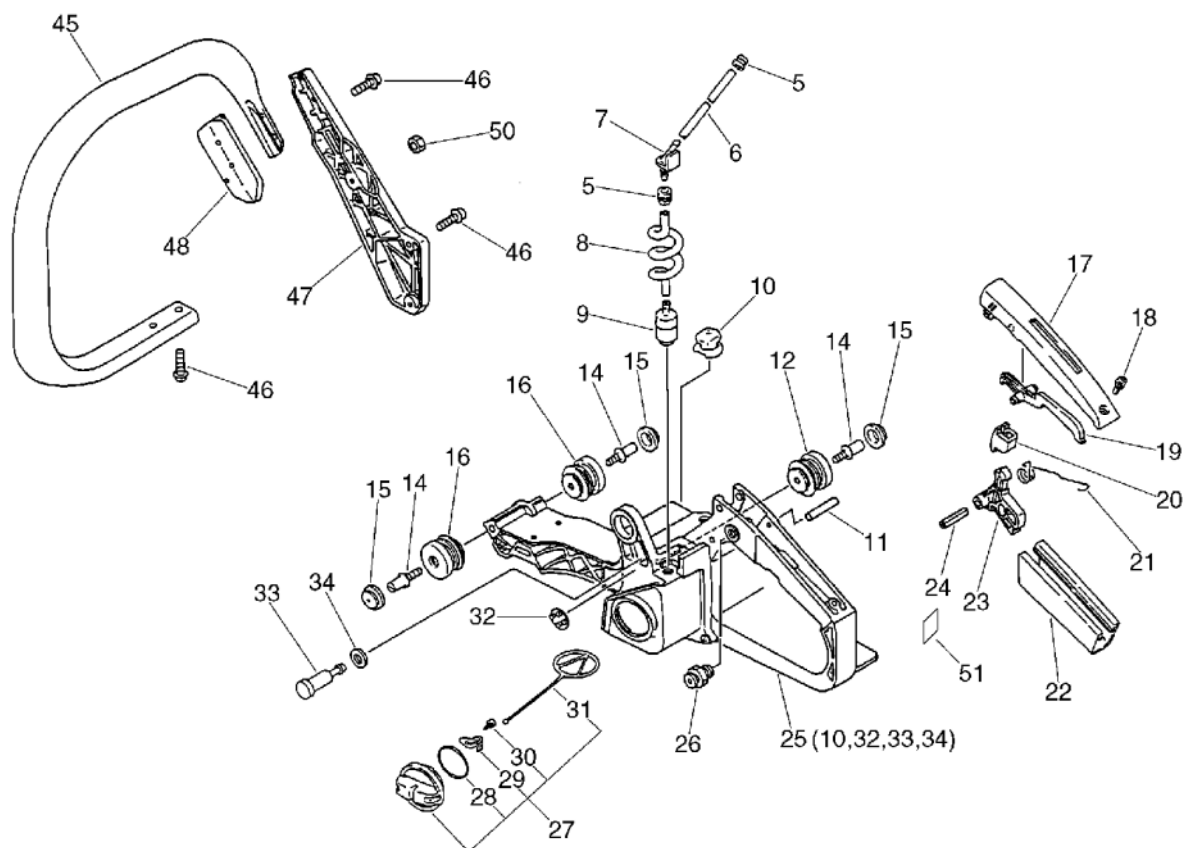
No.7



KEY	LV	PART NUMBER	Q'TY	DESCRIPTION	REMARKS	NOTE1	NOTE2
5		132115-01461	2	GROMMET			
6		132012-19830	1	PIPE 3*6*100	3*6*100	Sus. by 437217-20760	
6		437217-20760	1	PIPE 3*6*100	3*6*100 NBR		
7		132011-19830	1	CONNECTOR, FUEL PIPE			
8		132010-19830	1	PIPE			
9		131205-19830	1	STRAINER, FUEL			
11		900330-30260	1	ROLLER 3*26	3*26		
12		100910-19930	1	CUSHION (A)			
14		100915-33930	3	SCREW			
15		100918-19830	3	CAP, CUSHION			
16		100910-19831	2	CUSHION			
17		351155-30131	1	COVER, HANDLE			
18		900253-04014	1	SCREW 4*14	4*14		
19		178090-30130	1	LOCKOUT, T. CONTROL			
20		178073-32430	1	CUSHION, THROTTLE			
21		178043-19830	1	SPRING, THR. RETURN			
22		351111-30130	1	GRIP, HANDLE			
23		178010-19830	1	CONTROL, THROTTLE			
24		900342-50025	1	PIN, SPRING 5*25	5*25		
25		351103-33332	1	HANDLE, W/FUEL TANK			
10	+	100251-19830	1	CUSHION (A)			
32	+	100252-19830	1	CUSHION (B)			
33	+	131300-56430	1	VALVE, CHECK			
34	+	131329-33930	1	GROMMET, FUEL			
26		178302-30130	1	LATCH, THROTTLE			

## 7. Handle

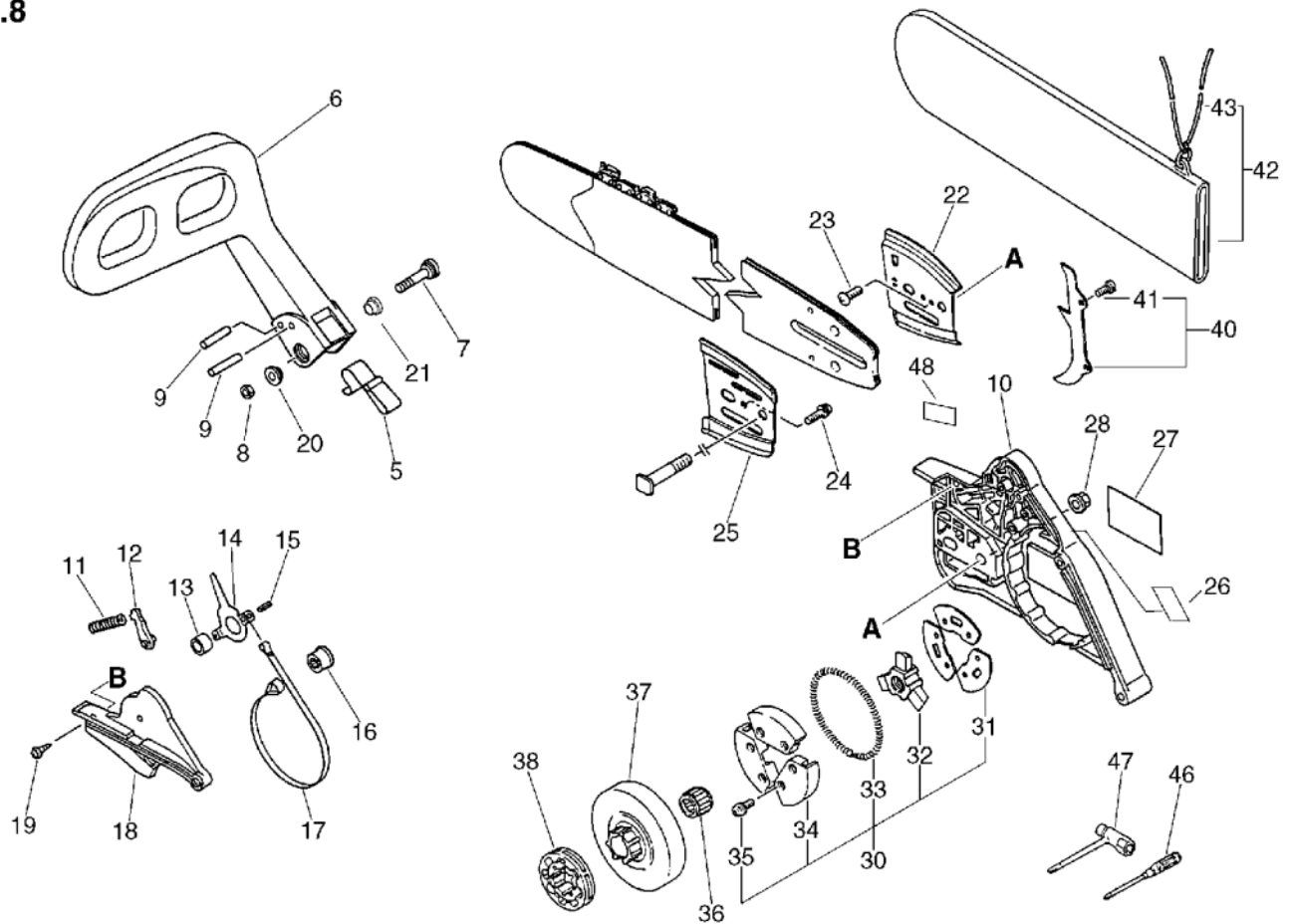
## No.7



KEY	LV	PART NUMBER	Q'TY	DESCRIPTION	REMARKS	NOTE1	NOTE2
27		131004-19831	1	CAP ASSY, FUEL TANK		Sus. by P021-009150	
27		P021-009150	1	COVER ENGINE			
28	+	900720-20029	1	O-RING 29	P-29		
29	+	131050-19830	1	RETAINER, LINK			
30	+	900246-03008	1	SCREW 3*8	3*8		
31	+	131051-19830	1	LINK	60L	Sus. by A365-000050	
31	+	A365-000050	1	CONNECTOR,CAP			
45		351606-37630	1	HANDLE, FRONT			
46		900253-05020	7	SCREW 5*20	5*20	Sus. by 91145-05020	
46		91145-05020	7	BOLT HS TAPPING	5*20		
47		351613-37530	1	SUPPORTER, F. HANDLE			
48		351614-37531	1	BRACKET, HANDLE			
50		900529-00005	1	NUT SLOTT	5		
51		890157-39130	1	LABEL, SWITCH			

# 8. Clutch, Sprocket, Tools

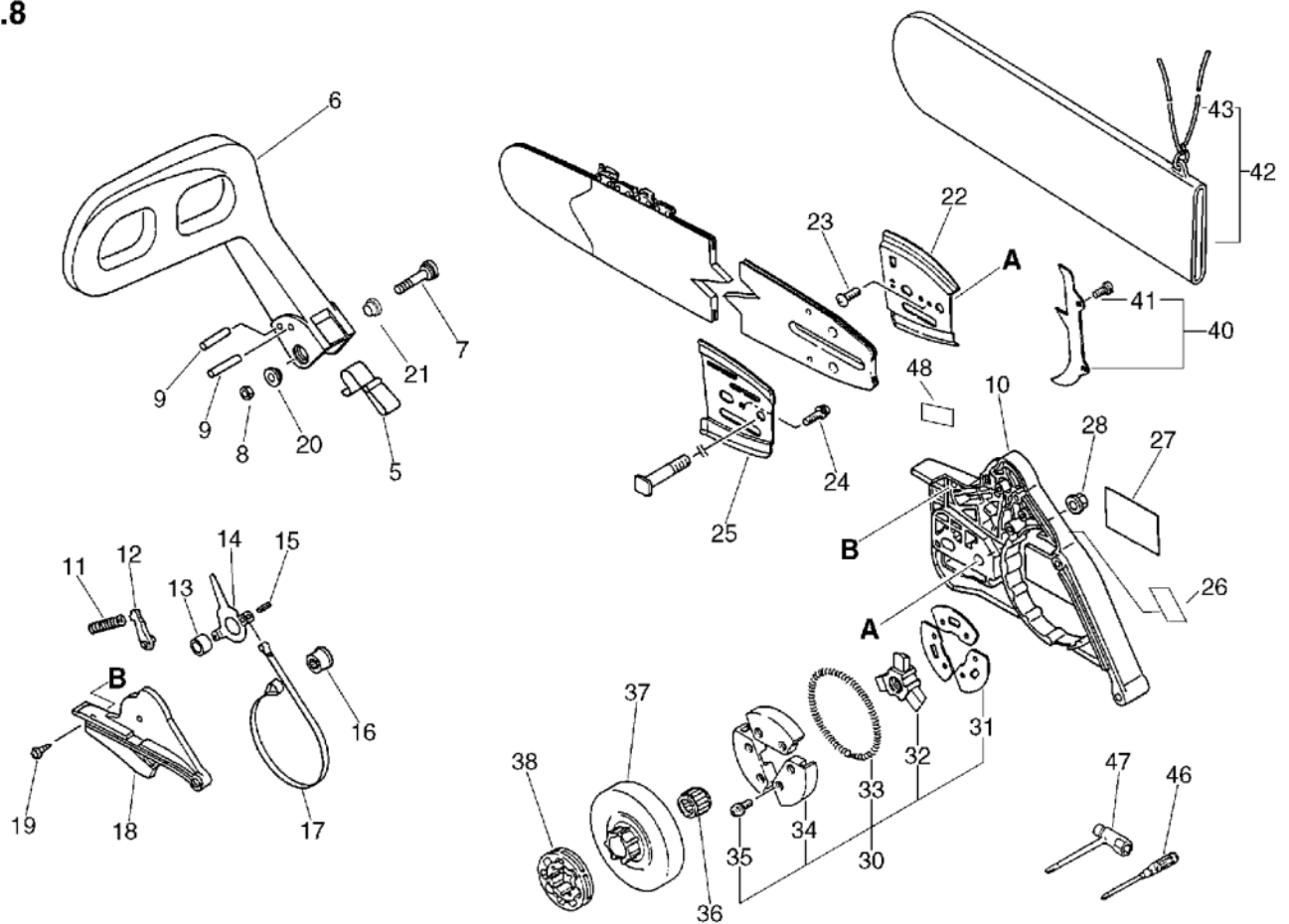
No.8



KEY	LV	PART NUMBER	Q'TY	DESCRIPTION	REMARKS	NOTE1	NOTE2
		433200-37531	1	BRAKE ASY, CHAIN		Sus. by 433200-37532	
		433200-37532	1	BRAKE ASY, CHAIN			
5	+	433114-37530	1	SPRING, RETURN		Sus. by 433114-37531	
5	+	433114-37531	1	SPRING			
6	+	433105-37530	1	LEVER, BRAKE			
7	+	900209-05035	1	SCREW	5*35		
8	+	900560-00005	1	NUT, LOCK 5	5		
9	+	900330-35260	2	PIN 3.5*26	3.5*26		
10	+	433005-37530	1	GUARD, SPROCKET			
11	+	433122-35430	1	SPRING, BRAKE			
12	+	433209-35430	1	STOPPER, BRAKE			
13	+	433116-35430	1	SPACER 8	8*12*9		
14	+	433208-35431	1	LEVER, BRAKE			
15	+	900330-40088	1	ROLLER 4*8.8	4*8.8		
16	+	433142-35430	1	ADJUSTER, BRAKE			
17	+	433123-35430	1	BAND, BRAKE		Sus. by C328-000060	
17	+	C328-000060	1	BAND, BRAKE			
18	+	433310-37530	1	COVER, BRAKE			
19	+	900253-04010	3	SCREW 4*10	4*10		
20	+	433167-39130	1	SPACER			
21	+	433167-39730	1	COLLAR 5			
22		433012-14533	1	PLATE, GUIDE (OUTER)			
23		900241-04008	1	SCREW 4*8	4*8		

# 8. Clutch, Sprocket, Tools

No.8



KEY	LV	PART NUMBER	Q'TY	DESCRIPTION	REMARKS	NOTE1	NOTE2
24		900241-03006	1	SCREW 3*6	3*6		
25		433013-19831	1	PLATE, GUIDE (INNER)			
26		890155-30130	1	LABEL, CAUTION			
27		890118-38130	1	LABEL, ECHO			
28		433019-12330	2	NUT, FLANGE 8	M-8		
30		175000-37531	1	CLUTCH ASSY			
31	+	175019-19830	3	PLATE, CLUTCH			
32	+	175016-19830	1	HUB, CLUTCH			
33	+	175018-19830	1	SPRING, CLUTCH			
34	+	175002-19830	1	SHOE, CLUTCH			
35	+	900105-04006	6	BOLT, H.S. 4*6	4*6		
36		175012-19830	1	BEARING, NEEDLE	K12*15*11.8X		
37		175105-19930	1	DRUM, CLUTCH			
38		175114-12530	1	SPROCKET, RIM .325			
40		880200-30131	1	BUMPER KIT, SPIKED			
41	+	880211-30130	2	BOLT			
42		898548-14531	1	SCABBARD, CHAIN			
43	+	898568-14530	1	ROPE	5*900		
46		895812-03930	1	DRIVER, SCREW 50			
47		895410-02830	1	WRENCH, W/S. DRIVER			
48		890316-39130	1	LABEL, CAUTION			

**Index**

<b>Patrs Number</b>	<b>Key No.</b>	<b>Patrs Number</b>	<b>Key No.</b>	<b>Patrs Number</b>	<b>Key No.</b>
100000-39730	1 - 6	123131-19830	6 - 14	145866-33331	2 - 26
100011-39730	1 - 7	123132-32430	6 - 6	150112-00310	4 - 21
100012-19830	1 - 30	123135-10630	6 - 8	156114-04920	3 - 30
100013-39730	1 - 8	123136-10630	6 - 7	156613-13930	4 - 22
100015-00120	1 - 9	123137-19830	6 - 23	156626-39731	4 - 16
100100-33330	1 - 29	123138-03930	6 - 24	156635-33330	3 - 22
100142-30830	1 - 31	123139-03930	6 - 25	156800-32631	4 - 5
100143-19830	4 - 7	123140-16131	6 - 27	159011-03432	4 - 24
100204-39731	1 - 19	123141-16131	6 - 28	159012-03433	4 - 23
100212-19830	1 - 21	123142-17330	6 - 29	159017-31730	4 - 25
100212-32430	1 - 20	123146-10631	6 - 35	162021-19831	3 - 29
100215-02830	1 - 23	123146-17330	6 - 33	163400-30830	3 - 26
100242-39730	1 - 28	123156-12330	6 - 15	163810-30130	3 - 27
100251-19830	7 - 10	123168-03930	6 - 31	163911-30130	3 - 20
100252-19830	7 - 32	123169-10630	6 - 32	175000-37531	8 - 30
100905-37530	3 - 7	123178-15030	6 - 34	175002-19830	8 - 34
100910-19831	7 - 16	129010-33330	3 - 10	175012-19830	8 - 36
100910-19930	7 - 12	129010-39730	3 - 10	175016-19830	8 - 32
100915-33930	3 - 32	129013-19830	3 - 8	175018-19830	8 - 33
100915-33930	7 - 14	130020-33330	3 - 5	175019-19830	8 - 31
100918-19830	3 - 31	130110-19830	3 - 11	175105-19930	8 - 37
100918-19830	7 - 15	130300-33330	2 - 11	175114-12530	8 - 38
100921-19830	3 - 33	130302-33330	2 - 6	177200-19932	4 - 32
100927-19830	3 - 6	130306-33733	3 - 4	177215-19830	4 - 35
101001-39730	1 - 3	130325-33330	2 - 12	177218-19830	4 - 11
101010-39730	1 - 4	130338-32430	2 - 8	177220-03930	4 - 38
101501-33330	2 - 16	130366-33330	2 - 9	177221-03930	4 - 39
101520-33330	2 - 17	130406-33331	2 - 7	177226-19830	4 - 36
101521-39730	4 - 6	130510-33330	1 - 12	177227-05020	4 - 42
101535-39730	4 - 47	130516-19830	1 - 11	177228-19830	4 - 41
123000-37530	3 - 15	130518-33330	3 - 14	177234-19830	4 - 9
123000-37530	6 -	131004-19831	7 - 27	177234-19831	4 - 9
123110-03930	6 - 1	131050-19830	1 - 34	177234-19832	4 - 9
123112-12330	6 - 4	131050-19830	7 - 29	177242-03930	4 - 37
123113-16130	6 - 11	131051-19830	1 - 36	177247-19830	4 - 10
123114-03930	6 - 5	131051-19830	7 - 31	178010-19830	7 - 23
123114-38830	6 - 5	131205-19830	7 - 9	178011-33731	3 - 18
123114-38830	6 - 36	131300-56430	7 - 33	178043-19830	7 - 21
123116-10530	6 - 13	131329-33930	7 - 34	178073-32430	7 - 20
123117-19830	6 - 12	132010-19830	7 - 8	178090-30130	7 - 19
123118-18330	6 - 20	132011-19830	7 - 7	178114-33731	3 - 19
123120-37530	6 - 18	132012-19830	7 - 6	178302-30130	7 - 26
123121-16130	6 - 19	132013-26630	5 - 8	178510-33330	3 - 16
123122-03930	6 - 22	132115-01461	7 - 5	178810-33330	3 - 17
123123-18330	6 - 21	132115-12330	5 - 9	178810-33331	3 - 17
123124-19830	6 - 2	145510-19831	2 - 20	351103-33332	7 - 25
123125-12330	6 - 3	145610-33330	2 - 21	351111-30130	7 - 22
123126-10631	6 - 9	145711-33330	2 - 23	351155-30131	7 - 17
123130-02960	6 - 30	145861-33330	2 - 27	351606-37630	7 - 45



**Index**

<b>Patrs Number</b>	<b>Key No.</b>	<b>Patrs Number</b>	<b>Key No.</b>	<b>Patrs Number</b>	<b>Key No.</b>
351613-37530	7 - 47	890157-30130	3 - 23	900720-00006	3 - 9
351614-37531	7 - 48	890157-39130	7 - 51	900720-00011	2 - 10
433000-33330	1 - 16	890316-39130	8 - 48	900720-20029	7 - 28
433005-37530	8 - 10	890345-39230	2 - 30	900725-02025	1 - 33
433011-19830	1 - 25	890611-39730	2 - 5	900810-36202	1 - 26
433012-14533	8 - 22	895410-02830	8 - 47	91145-05020	7 - 46
433013-19831	8 - 25	895812-03930	8 - 46	A365-000050	1 - 34
433014-19830	1 - 15	898548-14531	8 - 42	A365-000050	7 - 31
433016-19830	1 - 13	898568-14530	8 - 43	C328-000060	8 - 17
433019-12330	8 - 28	900105-04006	8 - 35	P021-000840	1 - 19
433028-11030	1 - 14	900105-04010	2 - 28	P021-009130	1 - 32
433105-37530	8 - 6	900105-05010	2 - 22	P021-009150	7 - 27
433114-37530	8 - 5	900162-04020	4 - 18		
433114-37531	8 - 5	900162-05020	1 - 5		
433116-35430	8 - 13	900162-05020	1 - 5		
433122-35430	8 - 11	900162-05020	2 - 24		
433123-35430	8 - 17	900162-05030	1 - 27		
433142-35430	8 - 16	900162-05050	3 - 13		
433167-39130	8 - 20	900209-05035	8 - 7		
433167-39730	8 - 21	900220-04008	4 - 17		
433200-37531	8 -	900220-05018	1 - 17		
433200-37532	8 -	900238-04012	5 - 16		
433208-35431	8 - 14	900238-05014	4 - 13		
433209-35430	8 - 12	900238-05014	4 - 33		
433310-37530	8 - 18	900238-05018	2 - 14		
436001-19833	1 - 32	900238-05018	3 - 35		
436114-13930	1 - 22	900238-05018	4 - 45		
436114-37830	1 - 22	900241-03006	8 - 24		
436205-14730	5 - 11	900241-04008	8 - 23		
437002-37530	5 - 4	900246-03008	1 - 35		
437006-32330	5 - 25	900246-03008	7 - 30		
437009-35430	5 - 21	900253-04010	8 - 19		
437015-19830	5 - 13	900253-04014	7 - 18		
437020-32430	5 - 26	900253-05010	3 - 36		
437030-19830	5 - 23	900253-05014	3 - 12		
437039-19831	5 - 12	900253-05020	7 - 46		
437062-19830	5 - 24	900330-30260	7 - 11		
437063-19930	5 - 5	900330-35260	8 - 9		
437065-19830	5 - 22	900330-40088	8 - 15		
437066-30130	5 - 7	900342-50025	7 - 24		
437210-39730	5 - 10	900345-50010	1 - 24		
437217-20760	7 - 6	900500-00008	4 - 8		
437605-32430	5 - 15	900529-00005	7 - 50		
880200-30131	8 - 40	900560-00005	8 - 8		
880211-30130	8 - 41	900600-00005	1 - 18		
890118-35430	4 - 46	900603-00005	4 - 12		
890118-38130	8 - 27	900603-00005	4 - 34		
890118-49330	4 - 46	900700-00003	5 - 14		
890155-30130	8 - 26	900720-00003	5 - 20		

# YAMABIKO CORPORATION

7-2 SUEHIROCHO 1-CHOME, OHME, TOKYO 198-8760, JAPAN  
PHONE: 81-428-32-6118. FAX: 81-428-32-6145.



5000  
No.