



# **PARTS CATALOG**

## **CHAIN SAW**

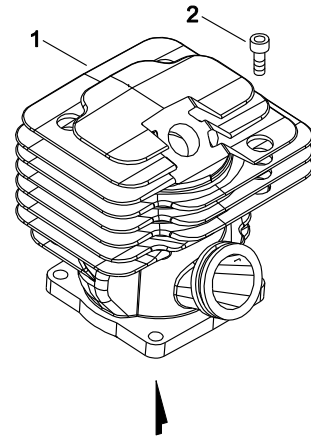
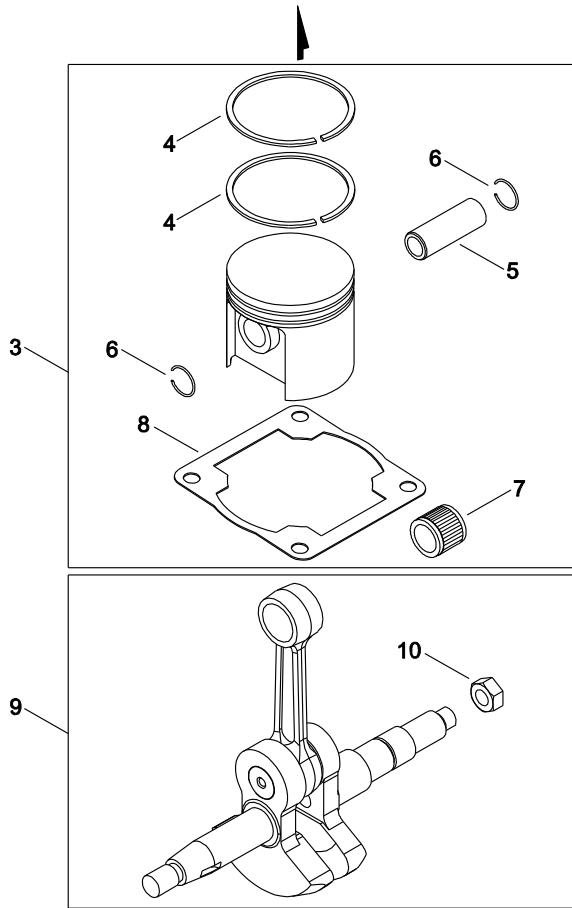
### **CS-452ESX/38LRV (36)**

**36001001 -**



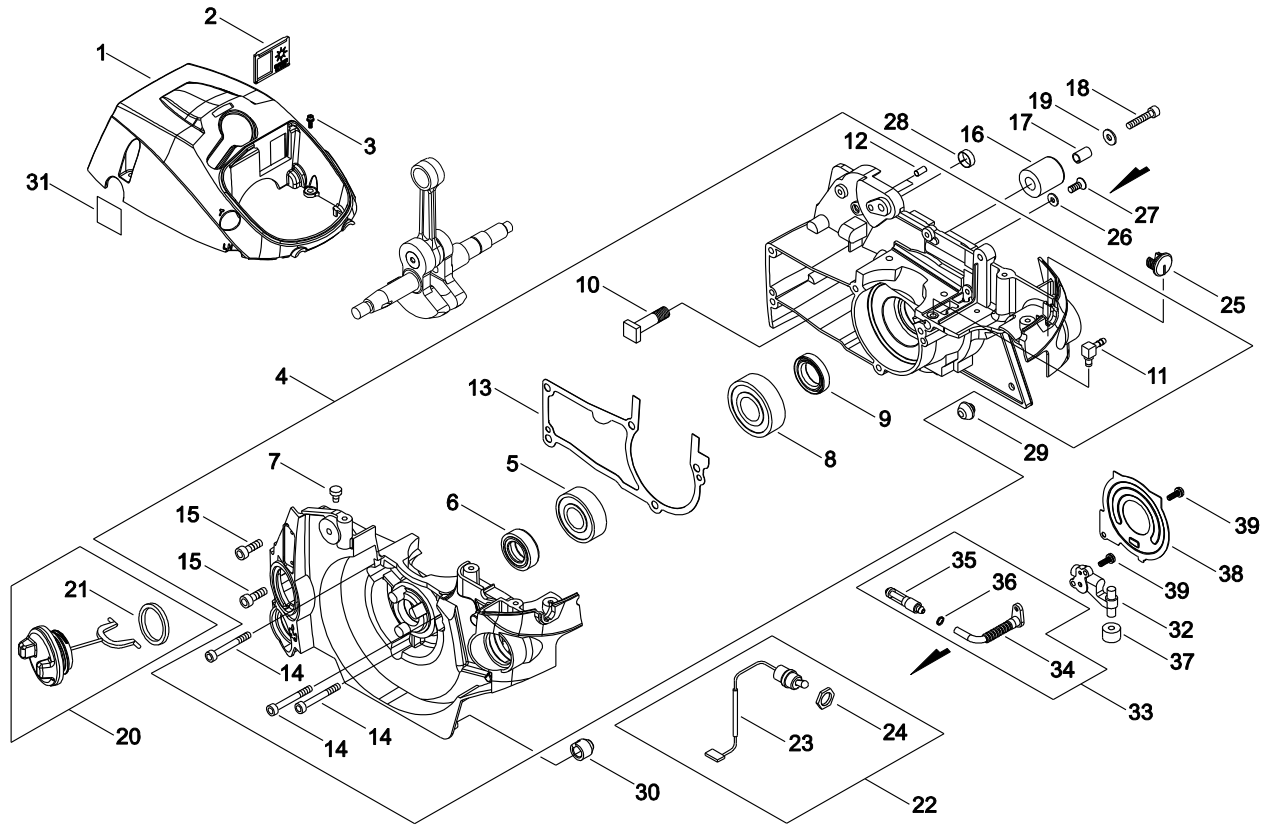
P014-004900-15E

# 1. CYLINDER, PISTON, CRANKSHAFT



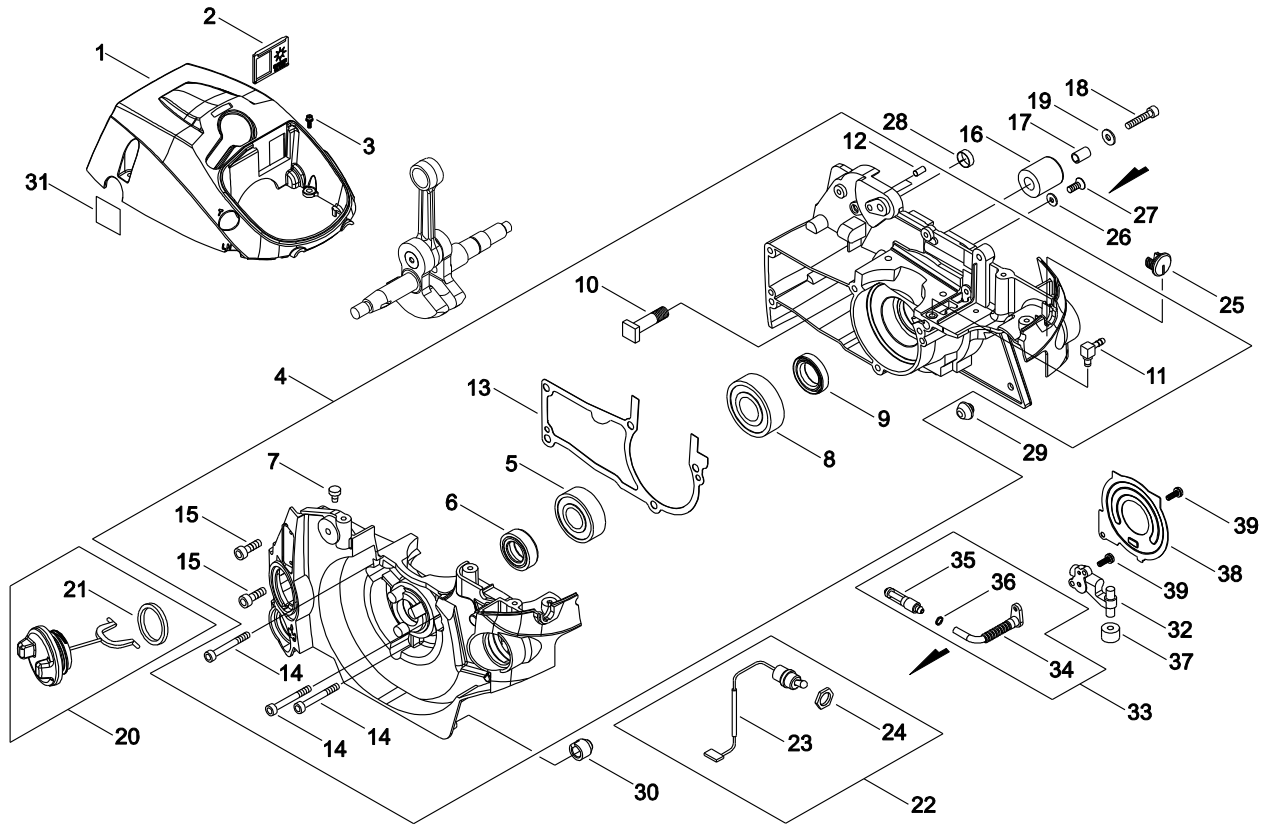
KEY	LV	PART NUMBER	Q'TY	DESCRIPTION	REMARKS	NOTE1	NOTE2
1		A130-001645	1	CYLINDER			
2		900105-05018	4	BOLT, H.S. 5*18	5*18		
3		P021-029870	1	PISTON SET			
4	+	A101-000530	2	PISTON RING			
5	+	V608-000050	1	PIN,ENG			
6	+	V580-000110	2	SNAP RING			
7	+	V555-000140	1	BEARING,NEEDLE			
8	+	V100-000540	1	GASKET			
9		P021-026681	1	CRANK SHAFT			
10	+	V265-000211	1	NUT,8			

## 2. CRANKCASE



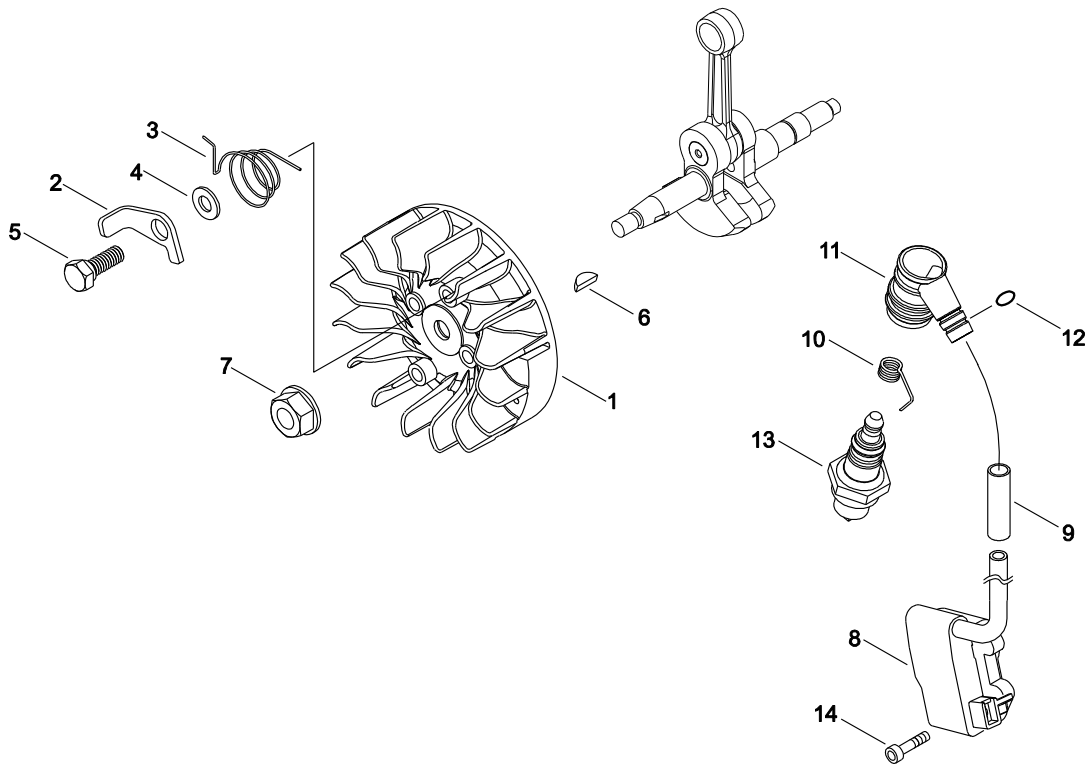
KEY	LV	PART NUMBER	Q'TY	DESCRIPTION	REMARKS	NOTE1	NOTE2
1		A160-002371	1	COVER,CYLINDER			
2		A219-000040	1	SHUTTER,AIR			
3		V202-000200	3	BOLT			
4		P021-040060	1	SET,CRANKCASE			
5	+	V592-000330	1	BEARING, BALL	6201X3C3		
6	+	V505-000140	1	SEAL,OIL			
7	+	A356-000130	1	VALVE,CHECK			
8	+	V592-000290	1	BEARING, BALL	6202X47C3		
9	+	V508-000060	1	SEAL,OIL			
10	+	V225-000150	2	BOLT,STUD			
11	+	437239-14730	1	NIPPLE			
12	+	V629-000000	2	ROLLER			
13	+	V102-000162	1	GASKET,CRANKCASE			
14	+	V203-001450	3	BOLT			
15	+	900105-05018	2	BOLT, H.S. 5*18	5*18		
16		C310-000110	1	CATCHER, CHAIN			
17		V353-000460	1	BUSH			
18		900105-05030	1	BOLT, H.S. 5*30	5*30		
19		900600-00005	1	WASHER 5	5		
20		C020-000040	1	CAP			
21	+	V107-000090	1	GASKET,FUEL CAP			
22		P021-037400	1	SWITCH, ON OFF			
23	+	A440-001920	1	SWITCH, ON OFF			
24	+	V266-000090	1	NUT,10			
25		V141-000100	1	PLUG			

2. CRANKCASE



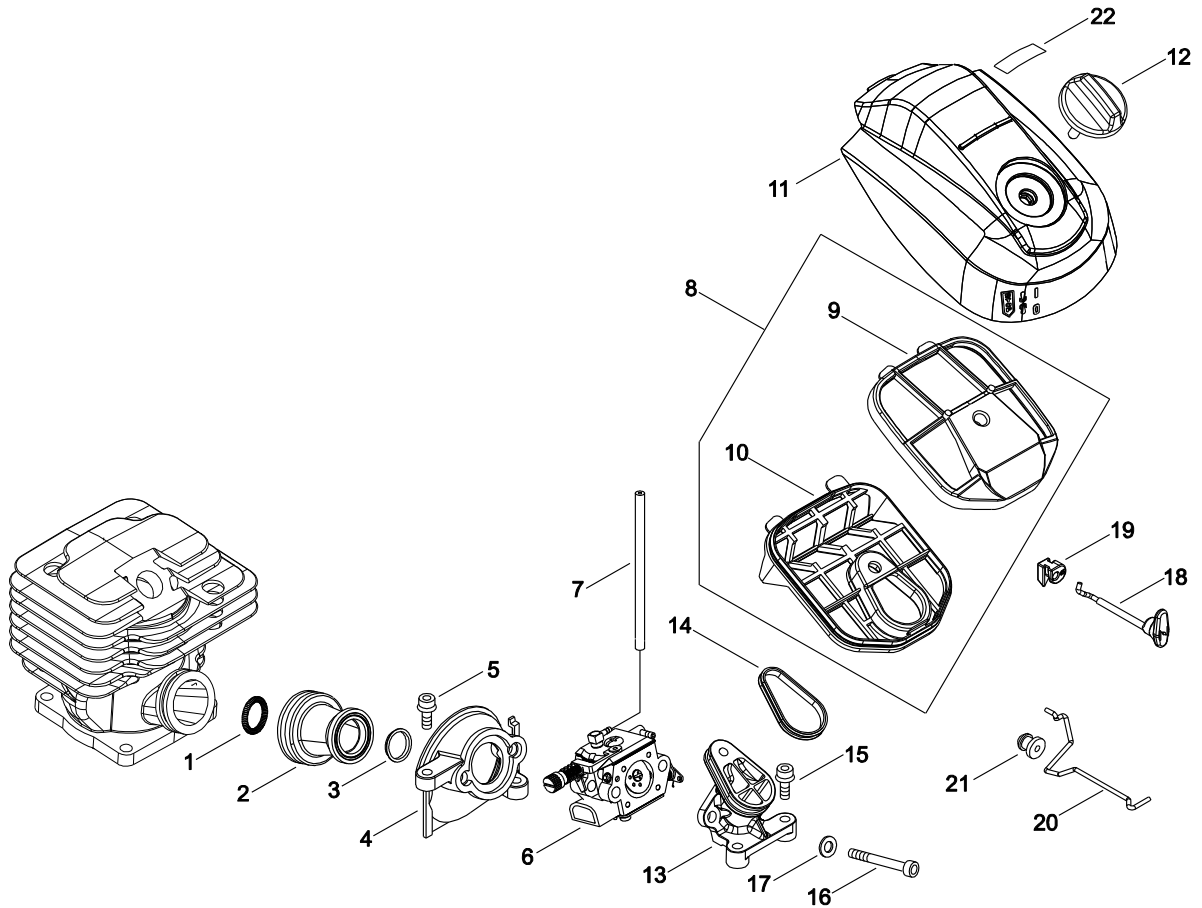
KEY	LV	PART NUMBER	Q'TY	DESCRIPTION	REMARKS	NOTE1	NOTE2
26		900603-00004	1	WASHER 4	4.5*10*0.8		
27		900212-04008	1	SCREW 4*8	+SF4*8		
28		V355-000460	1	COLLAR,8			
29		V420-002770	1	CUSHION			
30		V420-002780	1	CUSHION			
31		890345-39231	1	LABEL,CAUTION			
32		C022-000121	1	AUTO-OILER ASSEMBLY			
33		C021-000050	1	STRAINER, OIL			
34	+	V470-001840	1	PIPE			
35	+	C209-000070	1	STRAINER,OIL			
36	+	V490-000500	1	CLIP			
37		C211-000010	1	ELEMENT			
38		C236-000060	1	COVER,OILER			
39		V202-000520	3	BOLT,4			

### 3. MAGNETO



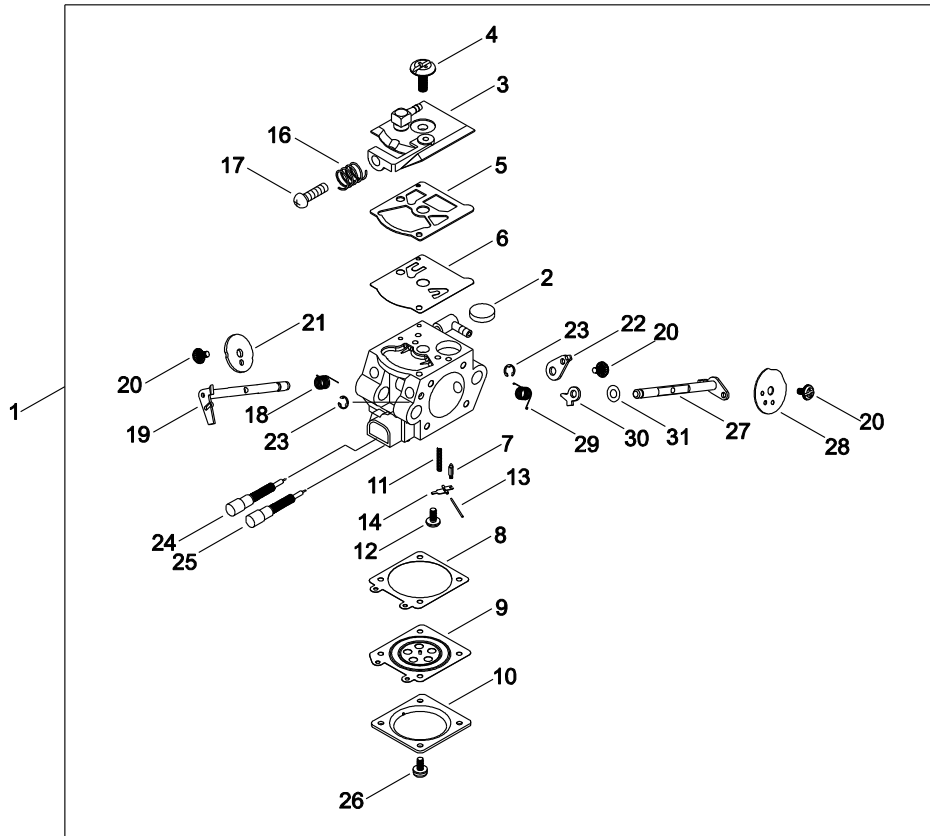
KEY	LV	PART NUMBER	Q'TY	DESCRIPTION	REMARKS	NOTE1	NOTE2
1		A409-000901	1	ROTOR, MAGNETO			
2		A514-000220	2	PAWL			
3		V452-000870	2	SPRING, TORSION			
4		V304-000270	2	WASHER, CIRCULAR 6			
5		V204-000620	2	BOLT			
6		93115-03010	1	KEY	3*10		
7		V265-000220	1	NUT			
8		P021-036741	1	COIL, IGNITION			
9		V475-005180	1	TUBE			
10		A426-000040	1	TERMINAL, SPARK PLUG			
11		A427-000060	1	CAP, SPARK PLUG			
12		900720-20007	1	O-RING 7	P-7		
13		159010-10230	1	PLUG, SPARK (BPMR-7A	BPMR-7A		
14		V202-000540	2	BOLT, 4			

4. AIR CLEANER, CARBURETOR



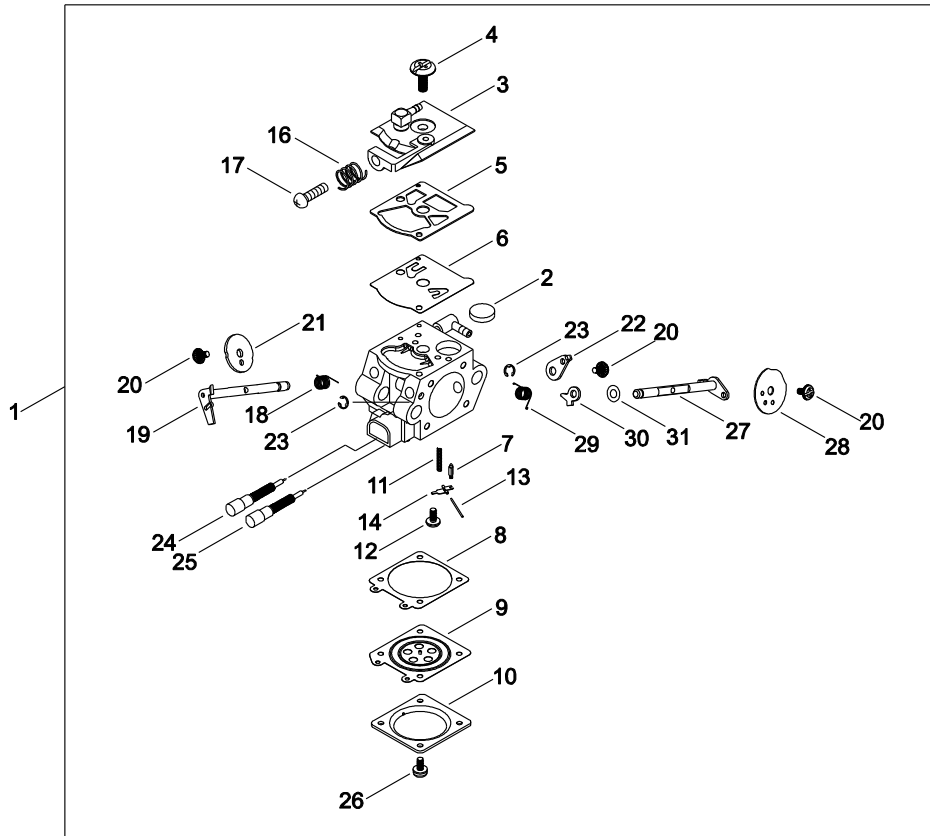
KEY	LV	PART NUMBER	Q'TY	DESCRIPTION	REMARKS	NOTE1	NOTE2
1		V451-000920	1	SPRING			
2		A202-000150	1	BOOT			
3		V359-000200	1	COLLAR			
4		A200-001050	1	INSULATOR,INTAKE			
5		V202-000200	2	BOLT			
6		A021-003040	1	CABURETOR ASSY			
7		V471-002800	1	PIPE			
8		A226-001580	1	ELEMENT,AIR FILTER	250メッシュ		
9	+	A226-001590	1	ELEMENT,AIR FILTER			
10	+	A226-001600	1	ELEMENT,AIR FILTER			
11		A232-001511	1	LID,CLEANER	ID NO.1930		
12		A235-000270	1	KNOB,CLEANER LID			
13		A204-000220	1	ELBOW, CARBURETOR			
14		V581-000280	1	GASKET			
15		V202-000200	2	BOLT			
16		91100-05048	2	BOLT			
17		900600-00005	2	WASHER 5	5		
18		A240-000111	1	ROD, CHOKE			
19		V130-000131	1	GROMMET,CHOKE			
20		C454-000280	1	ROD,THROTTLE			
21		V133-000040	1	GROMMET			
22		X503-012890	1	LABEL,MODEL	CS-452ESX		

5. CARBURETOR



KEY	LV	PART NUMBER	Q'TY	DESCRIPTION	REMARKS	NOTE1	NOTE2
1		A021-003040	1	CABURETOR ASSY			
2	+	123126-10631	1	SCREEN, INLET			
3	+	P003-003360	1	COVER, PUMP			
4	+	123110-03930	1	SCREW, PUMP COVER			
5	+	123125-15030	1	GASKET, FUEL PUMP			
6	+	123112-15030	1	DIAPHRAGM, FUEL PUMP			
7	+	123137-19830	1	VALVE, INLET NEEDLE			
8	+	123140-03930	1	GASKET, M. DIAPHRAGM			
9	+	123141-03930	1	DIAPHRAGM, METERING			
10	+	123142-03930	1	COVER, M. DIAPHRAGM			
11	+	123122-03660	1	SPRING, METER. LEVER			
12	+	123139-03930	1	SCREW, M. LEVER PIN			
13	+	123138-03930	1	PIN, METERING LEVER			
14	+	123123-03930	1	LEVER, METERING			
16	+	123133-04260	1	SPRING, IDLE ADJUST			
17	+	P003-003650	1	IDEL SCREW			
18	+	123113-37530	1	SPRING, THROTTLE RTN			
19	+	P003-000480	1	SHAFT, THROTTLE			
20	+	123114-38830	3	SCREW			
21	+	P003-003240	1	VALVE, THROTTLE			
22	+	P003-003470	1	CONTROL, THROTTLE			
23	+	123127-15030	2	RING			
24	+	P003-004190	1	NEEDLE			
25	+	P003-004180	1	NEEDLE			
26	+	123130-02960	4	SCREW			

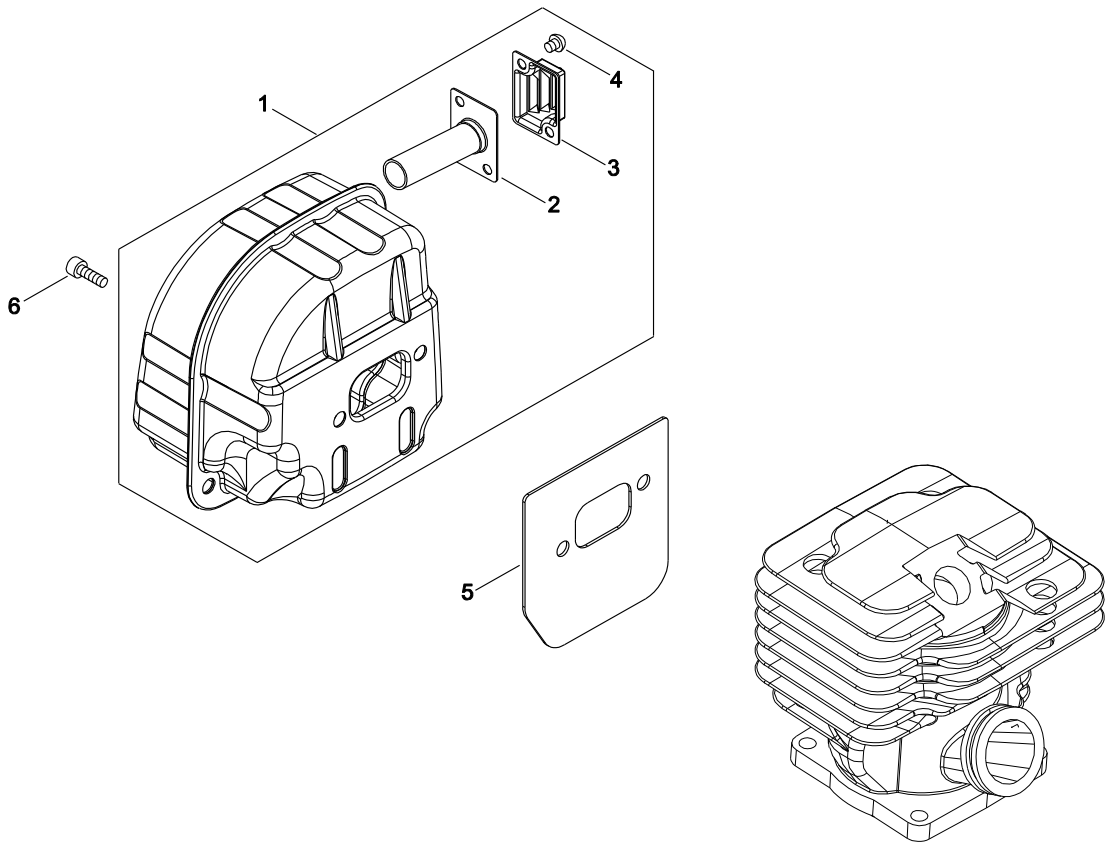
5. CARBURETOR



KEY	LV	PART NUMBER	Q'TY	DESCRIPTION	REMARKS	NOTE1	NOTE2
27	+	P003-003190	1	SHAFT			
28	+	P003-000230	1	VALVE CHOKE			
29	+	P003-000140	1	SPRING			
30	+	P003-000430	1	LEVER-FAST IDLE			
31	+	123149-26030	1	WASHER			

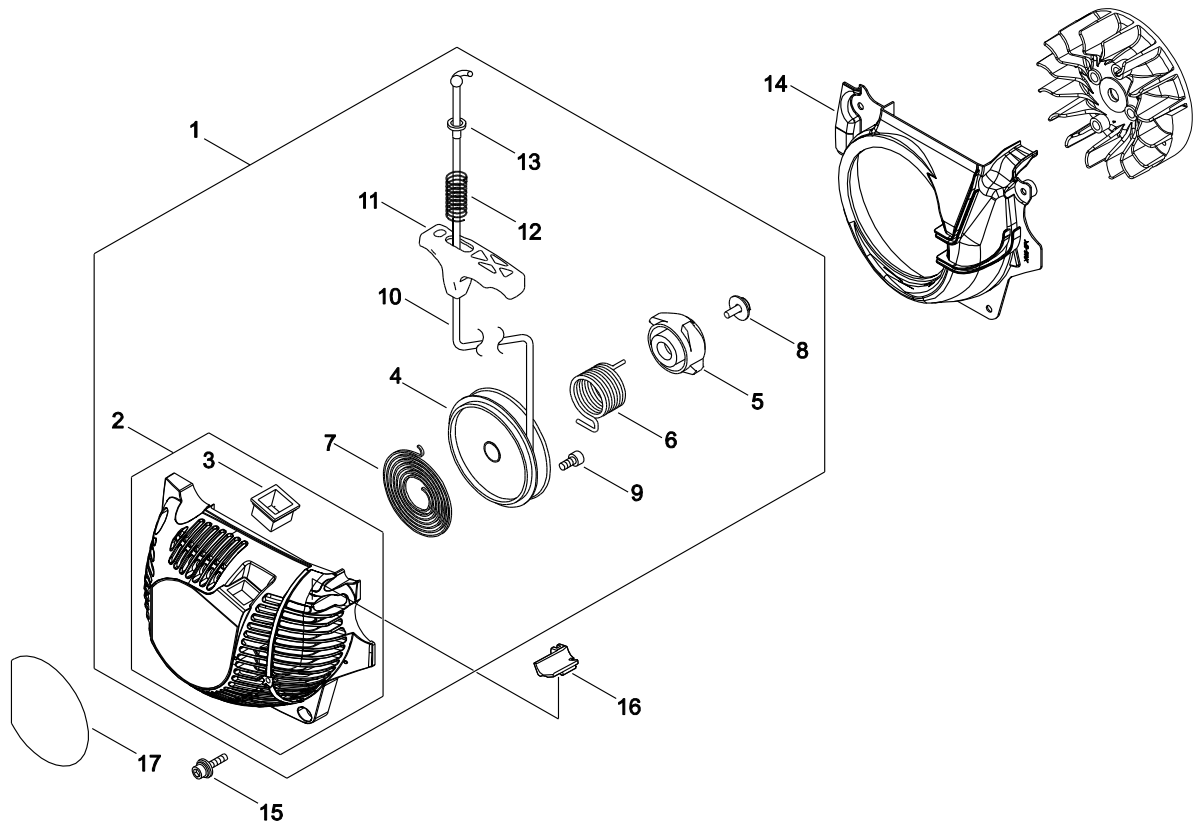


6. MUFFLER



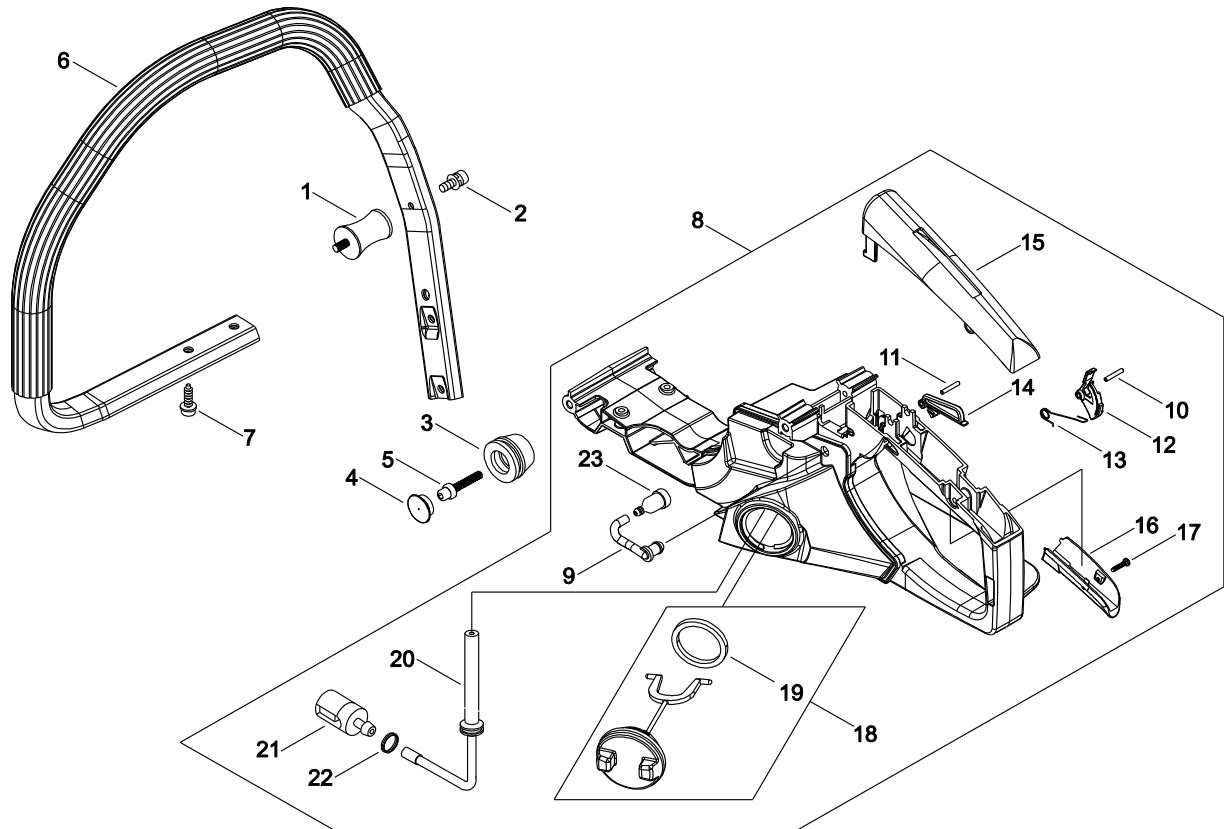
KEY	LV	PART NUMBER	Q'TY	DESCRIPTION	REMARKS	NOTE1	NOTE2
1		A030-000510	1	MUFFLER ASSY			
2	+	A313-001530	1	GUIDE,EXH			
3	+	A313-001460	1	TAIL PLATE			
4	+	91578-04006	2	SCREW			
5		V104-001581	1	GASKET,EXHAUST			
6		V203-001540	4	BOLT,ADHESIVE			

7. RECOIL STARTER



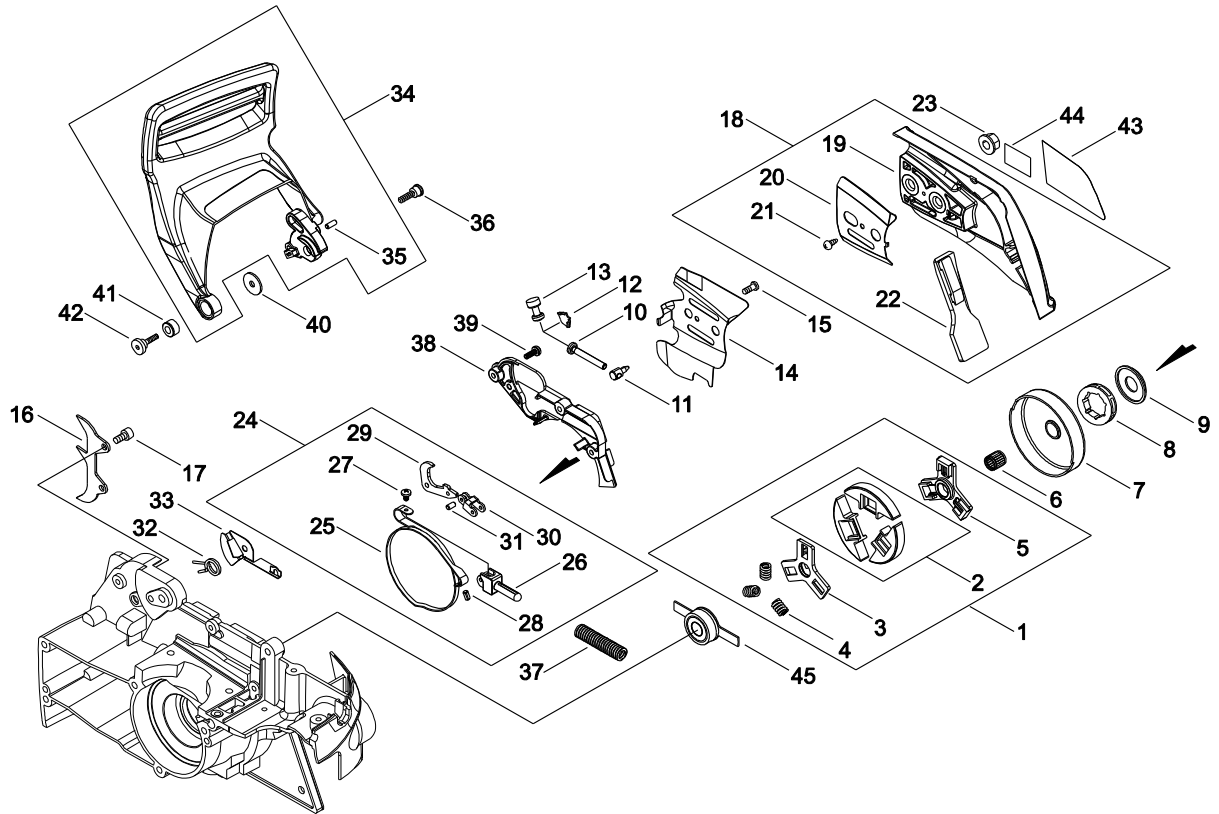
KEY	LV	PART NUMBER	Q'TY	DESCRIPTION	REMARKS	NOTE1	NOTE2
1		A051-002321	1	STARTER,RECOIL			
2	+	P022-038520	1	STARTER CASE			
3	++	A510-000130	1	GUIDE,ROPE			
4	+	P022-036740	1	DRUM, STARTER			
5	+	P022-036750	1	PLATE, CAM			
6	+	P022-036760	1	SPRING,DAMPER			
7	+	P022-006250	1	SPRING,SPIRAL			
8	+	P022-004630	1	SCREW			
9	+	P022-036770	1	BOLT HSH	CB-4*10		
10	+	P022-035130	1	ROPE			
11	+	P022-036780	1	GRIP, STARTER			
12	+	V450-001170	1	SPRING, COMPRESSION			
13	+	V376-001400	1	SPACER			
14		A172-001870	1	COVER,FAN			
15		V202-000200	4	BOLT			
16		V131-000190	1	GROMMET,NEEDLE			
17		X502-000760	1	LABEL,ECHO			

8. HANDLE



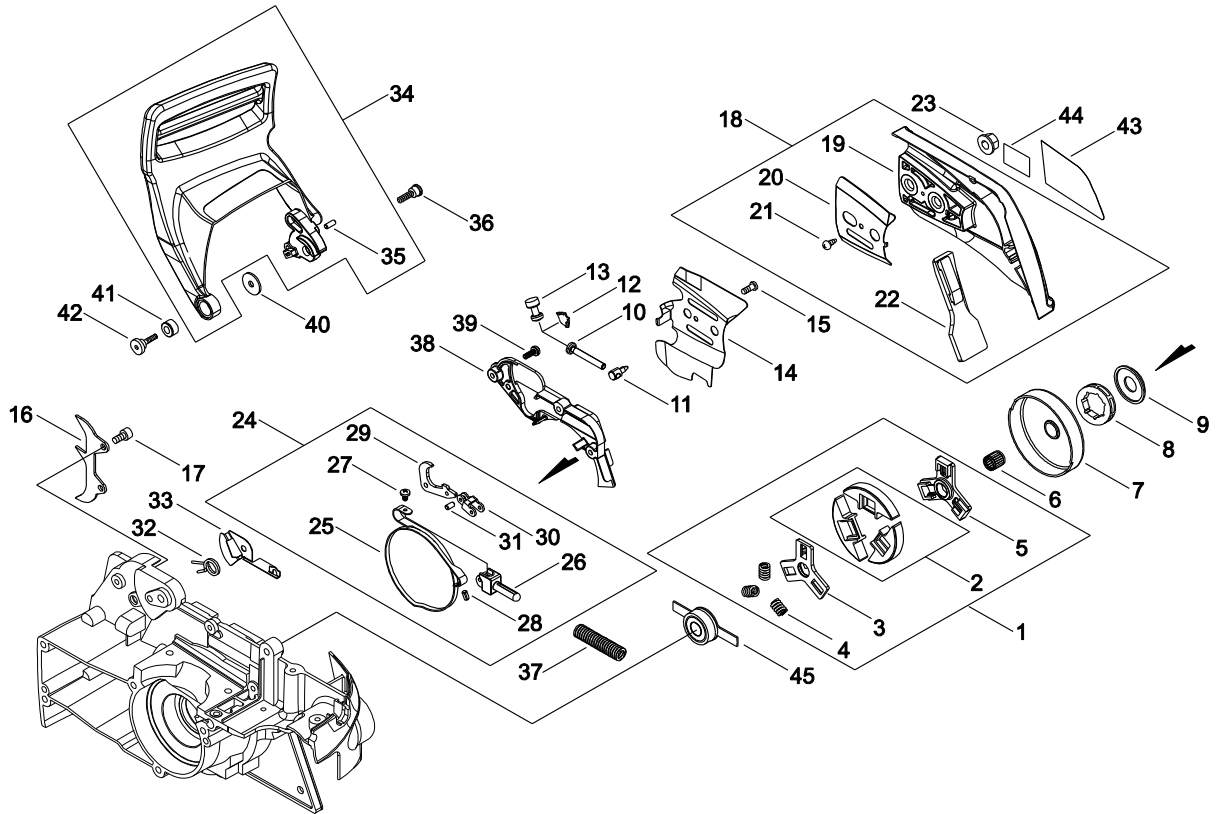
KEY	LV	PART NUMBER	Q'TY	DESCRIPTION	REMARKS	NOTE1	NOTE2
1		V401-000330	1	CUSHION			
2		V202-000260	1	BOLT,4			
3		V401-000340	4	CUSHION			
4		V421-000070	4	CAP,CUSHION			
5		V203-001480	4	BOLT			
6		C040-000570	1	HANDLE,FRONT			
7		V203-001490	4	BOLT TAPPING			
8		P021-046634	1	HANDLE ASY, REAR			
9	+	V470-001530	1	PIPE			
10	+	93060-40250	1	PIN, SPRING			
11	+	93042-40220	1	PIN, SPRING			
12	+	C450-000642	1	CONTROL, THROTTLE			
13	+	V452-000850	1	SPRING,TORSION			
14	+	C460-000390	1	LOCKOUT,THROTTLE			
15	+	C411-000170	1	LID,HANDLE			
16	+	C403-000530	1	GRIP			
17	+	91449-04022	1	SCREW TAPPING			
18	+	A033-000370	1	CAP ASSY			
19	++	V107-000070	1	GASKET			
20	+	V470-001520	1	PIPE			
21	+	131205-19832	1	STRAINER, FUEL			
22	+	V490-000500	1	CLIP			
23	+	131300-56431	1	VENT ASSEMBLY, FUEL			

9. CHAIN BRAKE



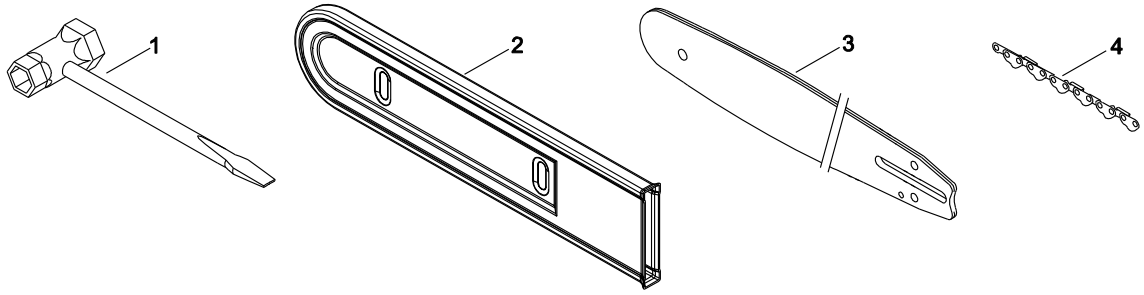
KEY	LV	PART NUMBER	Q'TY	DESCRIPTION	REMARKS	NOTE1	NOTE2
1		A056-000611	1	CLUTCH ASY			
2	+	P100-000270	1	CLUTCH SHOE SET			
3	+	A552-000231	1	HUB, CLUTCH			
4	+	V451-000930	3	SPRING			
5	+	A552-000241	1	HUB, CLUTCH			
6		V555-000150	1	BEARING, NEEDLE			
7		A556-001121	1	DRUM, CLUTCH			
8		175114-12530	1	SPROCKET, RIM .325			
9		V307-000451	1	WASHER, CIRCULAR 10			
10		V253-000610	1	SCREW			
11		C309-000110	1	TENSIONER, CHAIN			
12		V152-002430	1	GUIDE			
13		V651-000790	1	GEAR, BEVEL			
14		C305-000411	1	PLATE, SPROCKET GUARD			
15		V252-000470	1	SCREW, 4			
16		C304-000130	1	SPIKE			
17		900105-05012	2	BOLT, H.S. 5*12	5*12		
18		P021-036191	1	CLUTCH COVER ASSY			
19	+	C300-000780	1	GUARD, SPROCKET			
20	+	C305-000260	1	PLATE, SPROCKET GUARD			
21	+	900253-04008	1	SCREW 4*8	4*8		
22	+	C302-000030	1	PROTECTOR			
23		V265-000200	2	NUT			
24		C328-000210	1	BAND, BRAKE			
25	+	C328-000220	1	BAND, BRAKE			

9. CHAIN BRAKE



KEY	LV	PART NUMBER	Q'TY	DESCRIPTION	REMARKS	NOTE1	NOTE2
26	+	C334-000180	1	CONNECTOR,BRAKE			
27	+	91381-04010	1	SCREW TAPPING			
28	+	93042-40100	1	PIN, SPRING			
29	+	C334-000190	1	CONNECTOR, BRAKE			
30	+	C334-000200	1	CONNECTOR,BRAKE			
31	+	900330-30120	2	PIN	3*12		
32		V452-000860	1	SPRING,TORSION			
33		C347-000010	1	PLATE,BRAKE SEAL			
34		P021-026933	1	GUARD COMP			
35	+	900330-40080	1	PIN F 4*8	4*8		
36		V203-001470	1	BOLT,ADHESIVE			
37		V450-001160	1	SPRING,COIL			
38		C345-000430	1	ROD,THROTTLE			
39		V202-000520	3	BOLT,4			
40		V303-000320	1	WASHER,CIRCULAR 5			
41		J211-000430	1	BUSH			
42		V203-001410	1	BOLT ADHESIVE			
43		X502-000770	1	LABEL,ECHO			
44		890316-39131	1	LABEL, CAUTION			
45		P021-023110	1	GEAR			

**10. ACCESSORIES**



KEY	LV	PART NUMBER	Q'TY	DESCRIPTION	REMARKS	NOTE1	NOTE2
1		X602-000150	1	PLUG WRENCH			
2		X490-000570	1	SCABBARD,CHAIN			
3		X123-000600	1	BAR,GUIDE 35	38LRV58LD- 325EC		
4		431721-30231	1	CHAIN, SAW	21BPX-64E		

**Index**

<b>Patrs Number</b>	<b>Key No.</b>	<b>Patrs Number</b>	<b>Key No.</b>	<b>Patrs Number</b>	<b>Key No.</b>
123110-03930	5 - 4	A033-000370	8 - 18	C347-000010	9 - 33
123112-15030	5 - 6	A051-002321	7 - 1	C403-000530	8 - 16
123113-37530	5 - 18	A056-000611	9 - 1	C411-000170	8 - 15
123114-38830	5 - 20	A101-000530	1 - 4	C450-000642	8 - 12
123122-03660	5 - 11	A130-001645	1 - 1	C454-000280	4 - 20
123123-03930	5 - 14	A160-002371	2 - 1	C460-000390	8 - 14
123125-15030	5 - 5	A172-001870	7 - 14	J211-000430	9 - 41
123126-10631	5 - 2	A200-001050	4 - 4	P003-000140	5 - 29
123127-15030	5 - 23	A202-000150	4 - 2	P003-000230	5 - 28
123130-02960	5 - 26	A204-000220	4 - 13	P003-000430	5 - 30
123133-04260	5 - 16	A219-000040	2 - 2	P003-000480	5 - 19
123137-19830	5 - 7	A226-001580	4 - 8	P003-003190	5 - 27
123138-03930	5 - 13	A226-001590	4 - 9	P003-003240	5 - 21
123139-03930	5 - 12	A226-001600	4 - 10	P003-003360	5 - 3
123140-03930	5 - 8	A232-001511	4 - 11	P003-003470	5 - 22
123141-03930	5 - 9	A235-000270	4 - 12	P003-003650	5 - 17
123142-03930	5 - 10	A240-000111	4 - 18	P003-004180	5 - 25
123149-26030	5 - 31	A313-001460	6 - 3	P003-004190	5 - 24
131205-19832	8 - 21	A313-001530	6 - 2	P021-023110	9 - 45
131300-56431	8 - 23	A356-000130	2 - 7	P021-026681	1 - 9
159010-10230	3 - 13	A409-000901	3 - 1	P021-026933	9 - 34
175114-12530	9 - 8	A426-000040	3 - 10	P021-029870	1 - 3
431721-30231	10 - 4	A427-000060	3 - 11	P021-036191	9 - 18
437239-14730	2 - 11	A440-001920	2 - 23	P021-036741	3 - 8
890316-39131	9 - 44	A510-000130	7 - 3	P021-037400	2 - 22
890345-39231	2 - 31	A514-000220	3 - 2	P021-040060	2 - 4
900105-05012	9 - 17	A552-000231	9 - 3	P021-046634	8 - 8
900105-05018	1 - 2	A552-000241	9 - 5	P022-004630	7 - 8
900105-05018	2 - 15	A556-001121	9 - 7	P022-006250	7 - 7
900105-05030	2 - 18	C020-000040	2 - 20	P022-035130	7 - 10
900212-04008	2 - 27	C021-000050	2 - 33	P022-036740	7 - 4
900253-04008	9 - 21	C022-000121	2 - 32	P022-036750	7 - 5
900330-30120	9 - 31	C040-000570	8 - 6	P022-036760	7 - 6
900330-40080	9 - 35	C209-000070	2 - 35	P022-036770	7 - 9
900600-00005	2 - 19	C211-000010	2 - 37	P022-036780	7 - 11
900600-00005	4 - 17	C236-000060	2 - 38	P022-038520	7 - 2
900603-00004	2 - 26	C300-000780	9 - 19	P100-000270	9 - 2
900720-20007	3 - 12	C302-000030	9 - 22	V100-000540	1 - 8
91100-05048	4 - 16	C304-000130	9 - 16	V102-000162	2 - 13
91381-04010	9 - 27	C305-000260	9 - 20	V104-001581	6 - 5
91449-04022	8 - 17	C305-000411	9 - 14	V107-000070	8 - 19
91578-04006	6 - 4	C309-000110	9 - 11	V107-000090	2 - 21
93042-40100	9 - 28	C310-000110	2 - 16	V130-000131	4 - 19
93042-40220	8 - 11	C328-000210	9 - 24	V131-000190	7 - 16
93060-40250	8 - 10	C328-000220	9 - 25	V133-000040	4 - 21
93115-03010	3 - 6	C334-000180	9 - 26	V141-000100	2 - 25
A021-003040	4 - 6	C334-000190	9 - 29	V152-002430	9 - 12
A021-003040	5 - 1	C334-000200	9 - 30	V202-000200	2 - 3
A030-000510	6 - 1	C345-000430	9 - 38	V202-000200	4 - 5

**Index**

<b>Patrs Number</b>	<b>Key No.</b>	<b>Patrs Number</b>	<b>Key No.</b>	<b>Patrs Number</b>	<b>Key No.</b>
V202-000200	4 - 15	V555-000150	9 - 6		
V202-000200	7 - 15	V580-000110	1 - 6		
V202-000260	8 - 2	V581-000280	4 - 14		
V202-000520	2 - 39	V592-000290	2 - 8		
V202-000520	9 - 39	V592-000330	2 - 5		
V202-000540	3 - 14	V608-000050	1 - 5		
V203-001410	9 - 42	V629-000000	2 - 12		
V203-001450	2 - 14	V651-000790	9 - 13		
V203-001470	9 - 36	X123-000600	10 - 3		
V203-001480	8 - 5	X490-000570	10 - 2		
V203-001490	8 - 7	X502-000760	7 - 17		
V203-001540	6 - 6	X502-000770	9 - 43		
V204-000620	3 - 5	X503-012890	4 - 22		
V225-000150	2 - 10	X602-000150	10 - 1		
V252-000470	9 - 15				
V253-000610	9 - 10				
V265-000200	9 - 23				
V265-000211	1 - 10				
V265-000220	3 - 7				
V266-000090	2 - 24				
V303-000320	9 - 40				
V304-000270	3 - 4				
V307-000451	9 - 9				
V353-000460	2 - 17				
V355-000460	2 - 28				
V359-000200	4 - 3				
V376-001400	7 - 13				
V401-000330	8 - 1				
V401-000340	8 - 3				
V420-002770	2 - 29				
V420-002780	2 - 30				
V421-000070	8 - 4				
V450-001160	9 - 37				
V450-001170	7 - 12				
V451-000920	4 - 1				
V451-000930	9 - 4				
V452-000850	8 - 13				
V452-000860	9 - 32				
V452-000870	3 - 3				
V470-001520	8 - 20				
V470-001530	8 - 9				
V470-001840	2 - 34				
V471-002800	4 - 7				
V475-005180	3 - 9				
V490-000500	2 - 36				
V490-000500	8 - 22				
V505-000140	2 - 6				
V508-000060	2 - 9				
V555-000140	1 - 7				



# YAMABIKO CORPORATION

7-2 SUEHIROCHO 1-CHOME, OHME, TOKYO 198-8760, JAPAN  
PHONE: 81-428-32-6118. FAX: 81-428-32-6145.



-15E  
No. 07-268