

CS-420ES

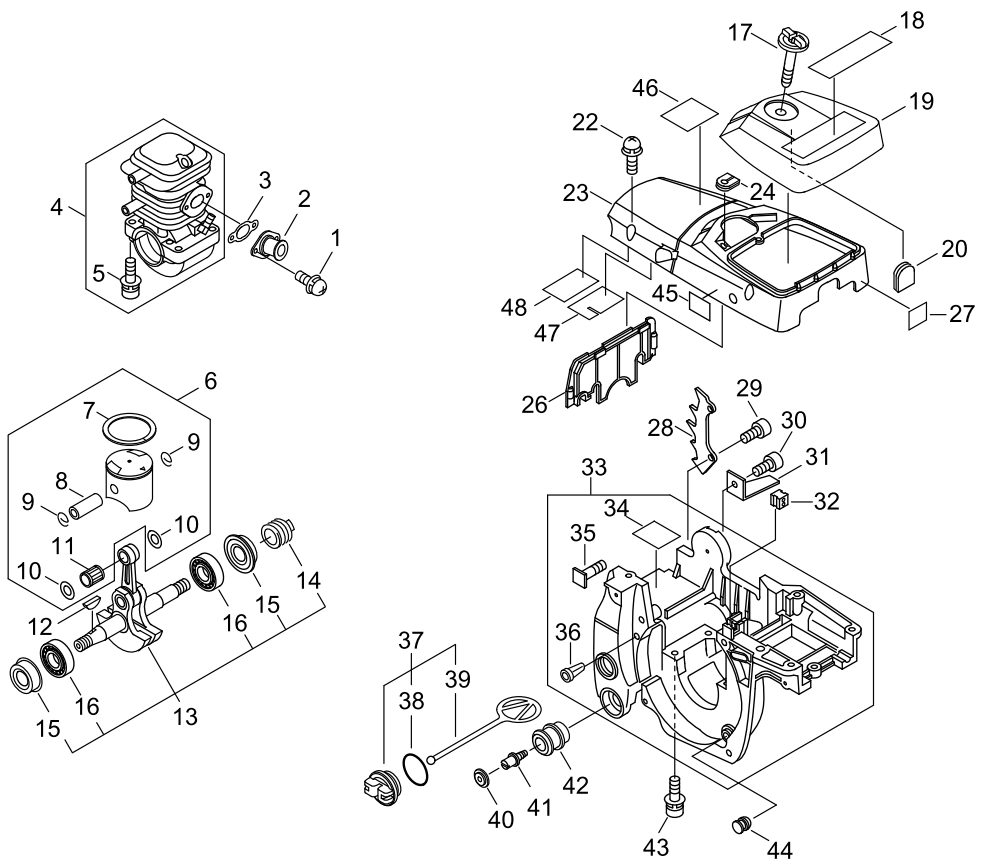
Serial number: 37027771-99999999

Last update date: 01/28/2020

TABLE OF CONTENTS

| | |
|-----------------------------------|----|
| CYLINDER, CRANKCASE, PISTON | 1 |
| AIR CLEANER, CARBURETOR..... | 5 |
| RECOIL STARTER, MAGNETO | 7 |
| HANDLE | 9 |
| CLUTCH, SPROCKET | 11 |
| AUTO-OILER..... | 13 |
| CARBURETOR..... | 15 |
| GUIDE BAR, CHAIN | 17 |

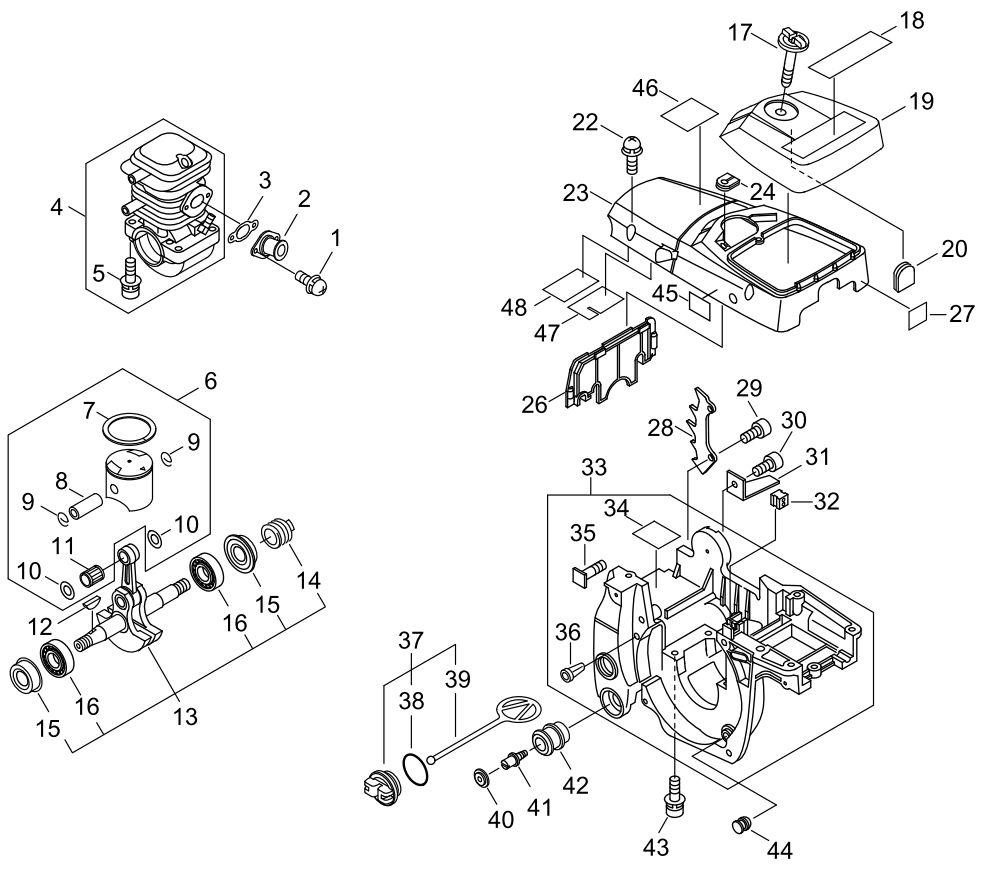
CYLINDER, CRANKCASE, PISTON



CYLINDER, CRANKCASE, PISTON

| Key No. | LV (+) | Part No | Description | Qty | Standard |
|---------|--------|--------------|---------------------|-----|--------------|
| 1 | | 900238-05014 | SCREW 5*14 | 2 | 5*14 |
| 2 | | A202-000060 | BELLOWS, INTAKE | 1 | |
| 3 | | V103-000290 | GASKET,INTAKE | 1 | NP4200 T1.0 |
| 4 | | P021-017360 | CRANKCASE SET | 1 | |
| 5 | + | 900162-05022 | BOLT, H.S. 5*22 | 4 | 5*22 W,SW |
| 6 | | P021-036520 | PISTON KIT | 1 | |
| 7 | + | A101-000160 | RING, PISTON | 1 | 40*B1.5*T1.8 |
| 8 | + | V607-000000 | PIN,ENG 9 | 1 | |
| 9 | + | 100015-03931 | CIRCLIP, PISTON PIN | 2 | |
| 10 | + | 100014-53630 | SPACER, PISTON PIN | 2 | |
| 11 | + | 100012-16131 | BEARING, NEEDLE | 1 | |
| 12 | | 100142-12330 | KEY, WOODRUFF | 1 | |
| 13 | | P021-013621 | CRANKSHAFT ASY | 1 | |
| 14 | + | V652-000030 | GEAR,WORM | 1 | |
| 15 | + | V505-000011 | SEAL,OIL 12 | 2 | 12*32*5.5 |
| 16 | + | 900888-36201 | BEARING, BALL 6201 | 2 | 6201 |
| 17 | | A235-000020 | KNOB,CLEANER LID | 1 | |
| 18 | | X503-008450 | LABEL,MODEL | 1 | CS-420ES |
| 19 | | A232-000023 | LID,CLEANER | 1 | |
| 19 | | A232-000024 | LID,CLEANER | 1 | |
| 20 | | 130338-32430 | PLUG, COVER | 1 | |
| 22 | | 900238-05020 | SCREW 5*20 | 3 | 5*20 |
| 23 | | A160-000764 | COVER,CYLINDER | 1 | |
| 24 | | V135-000010 | GROMMET,HT CORD | 1 | |
| 26 | | A209-000000 | PLATE,INSULATOR | 1 | |
| 27 | | X524-001900 | LABEL | 1 | |
| 28 | | C304-000010 | SPIKED | 1 | |
| 29 | | 91145-05020 | BOLT HS TAPPING | 2 | 5*20 |
| 30 | | 91145-05016 | BOLT HS TAPPING | 1 | 5*16 |
| 31 | | C310-000000 | CATCHER, CHAIN | 1 | |
| 32 | | 150114-04920 | BUSHING | 1 | |
| 33 | | P021-009857 | COVER ENGINE ASY | 1 | |
| 34 | + | V341-000050 | WASHER,SQUARE | 1 | |
| 35 | + | 433011-19831 | STUD, GUIDE BAR | 2 | |
| 36 | + | 436114-13930 | VALVE, CHECK | 1 | |
| 37 | | P021-007630 | CAP ASY,TANK | 1 | |
| 38 | + | 900721-00025 | O-RING 25 | 1 | G-25 |
| 39 | + | A365-000050 | CONNECTOR,CAP | 1 | |
| 40 | | 100918-15130 | CAP | 4 | |
| 41 | | 100915-33930 | SCREW | 2 | |
| 42 | | 100910-60030 | CUSHION | 2 | |
| 43 | | 900162-05030 | BOLT, H.S. 5*30 | 4 | 5*30 W,SW |
| 44 | | V420-001250 | CUSHION | 2 | |
| 45 | | 890631-38130 | LABEL, CAUTION | 1 | |
| 46 | | 890345-39230 | LABEL,CAUTION | 1 | |
| 47 | | V341-000060 | WASHER,SQUARE | 1 | |

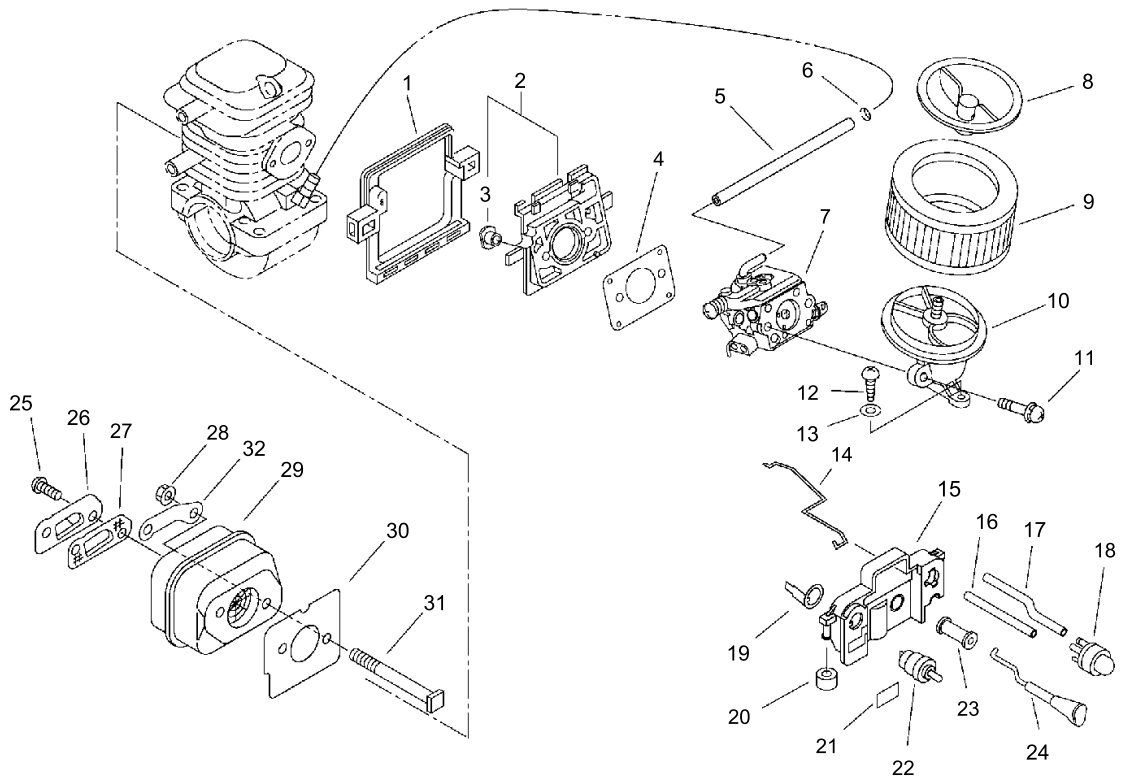
CYLINDER, CRANKCASE, PISTON



CYLINDER, CRANKCASE, PISTON

| Key No. | LV (+) | Part No | Description | Qty | Standard |
|---------|--------|-------------|---------------|-----|----------|
| 48 | | V341-000070 | WASHER,SQUARE | 1 | |

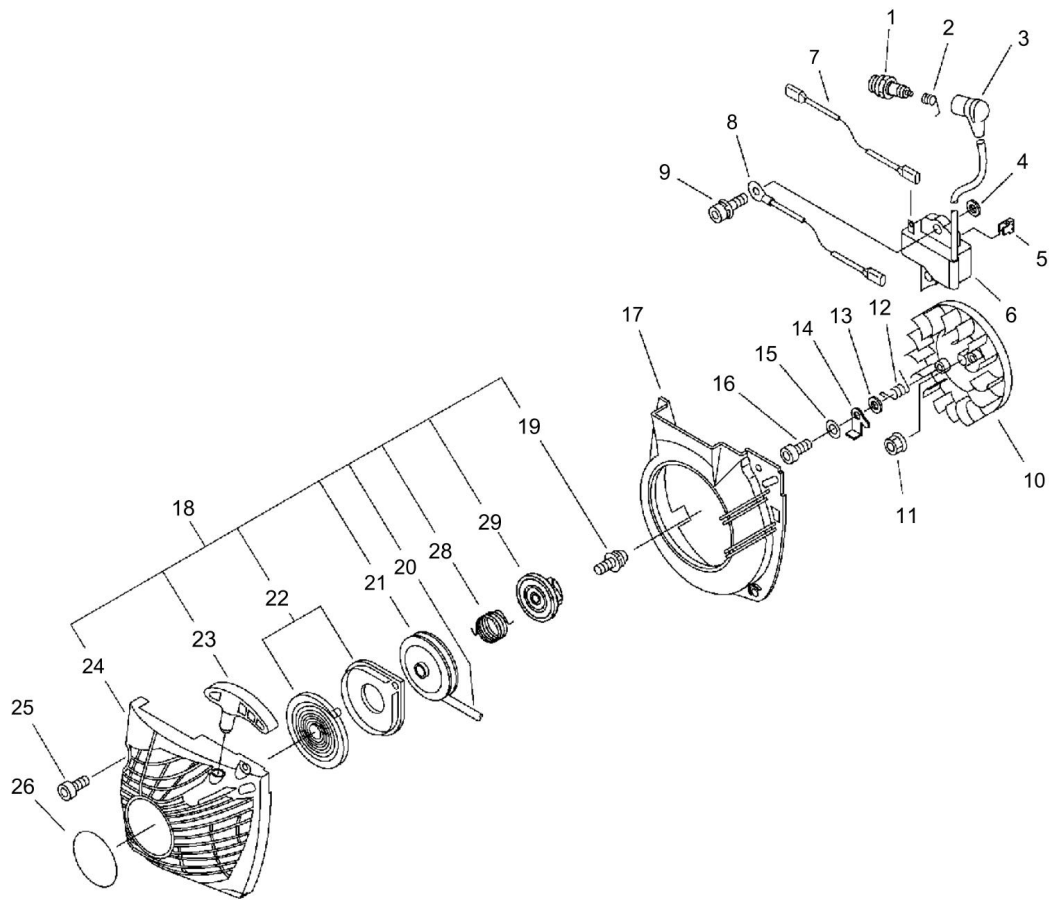
AIR CLEANER, CARBURETOR



AIR CLEANER, CARBURETOR

| Key No. | LV (+) | Part No | Description | Qty | Standard |
|---------|--------|--------------|--------------------------|-----|-------------|
| 1 | | V420-001420 | CUSHION | 1 | |
| 2 | | 130007-39932 | INSULATOR | 1 | |
| 3 | + | 130020-33330 | NUT | 2 | |
| 4 | | V103-000280 | GASKET,INTAKE | 1 | NP4200 T1.0 |
| 5 | | V471-001600 | PIPE | 1 | 2.4*6*105 |
| 6 | | 132013-09820 | CLIP | 1 | 6MM |
| 7 | | A021-001900 | CARBURETOR, DIAPHRAGM | 1 | |
| 8 | | 130405-38332 | BRACKET, AIR CLEANER | 1 | |
| 9 | | 130300-39730 | CLEANER ASM., AIR | 1 | |
| 10 | | 130301-39935 | ADAPTER, INTAKE | 1 | ID #1230 |
| 11 | | 900238-05050 | SCREW 5*50 | 2 | 5*50 |
| 12 | | 900253-05020 | SCREW 5*20 | 1 | 5*20 |
| 13 | | 900600-00005 | WASHER 5 | 1 | 5 |
| 14 | | C454-000100 | ROD, THROTTLE | 1 | |
| 15 | | A439-000145 | BRACKET,SWITCH | 1 | |
| 16 | | V471-001280 | PIPE | 1 | 2.4*5*105 |
| 17 | | V471-001470 | PIPE | 1 | 2.4*5*200 |
| 18 | | 123181-39130 | PUMP, PRIMER | 1 | |
| 19 | | V486-000021 | TERMINAL,LEAD | 1 | |
| 20 | | 351134-39930 | CUSHION | 2 | |
| 21 | | 890157-39130 | LABEL, SWITCH | 1 | |
| 22 | | 163400-38330 | SWITCH, IGNITION | 1 | |
| 23 | | 178810-14534 | GROMMET | 1 | |
| 24 | | A241-000140 | KNOB, CHOKE | 1 | |
| 25 | | 900220-04008 | SCREW 4*8 | 2 | 4*8 |
| 26 | | A313-000811 | GUIDE, EXHAUST | 1 | ID#1260 |
| 27 | | A310-000060 | SCREEN, ARRESTOR | 1 | |
| 28 | | 900516-00005 | NUT, FRANGE 5 | 2 | 5 |
| 29 | | A300-000680 | MUFFLER, EXHAUST | 1 | |
| 30 | | V104-000732 | GASKET,EXHAUST | 1 | |
| 31 | | V203-000220 | BOLT,5 | 2 | |
| 32 | | V150-001820 | PLATE,EYE | 1 | |

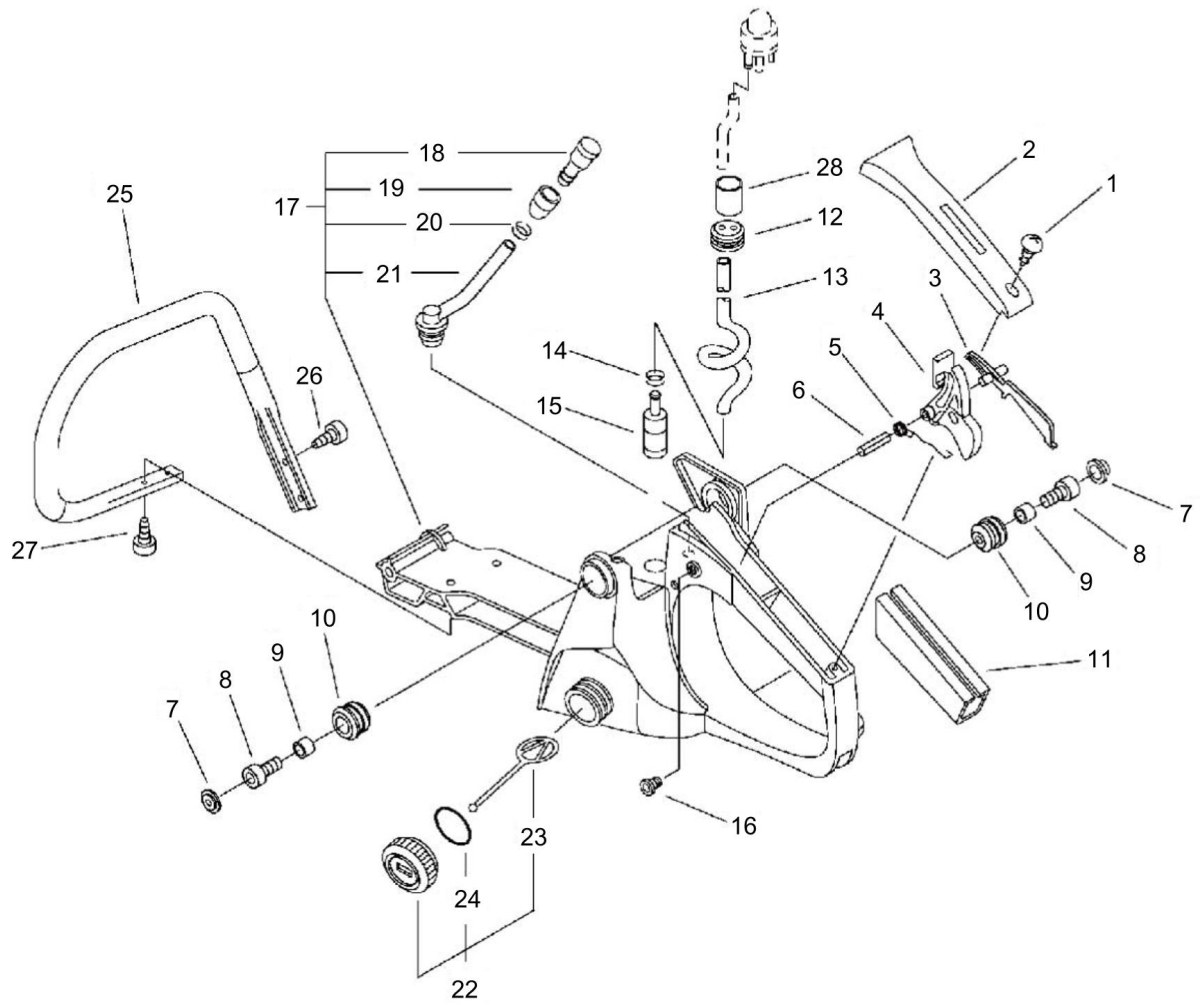
RECOIL STARTER, MAGNETO



RECOIL STARTER, MAGNETO

| Key No. | LV (+) | Part No | Description | Qty | Standard |
|---------|--------|--------------|--------------------|-----|------------|
| 1 | | A425-000000 | SPARKPLUG | 1 | BPMR8Y |
| 2 | | A426-000010 | TERMINAL,SPARKPLUG | 1 | |
| 3 | | A427-000013 | CAP,SPARK PLUG | 1 | |
| 4 | | 150117-16430 | SPACER | 2 | |
| 5 | | V490-000310 | CLIP | 1 | |
| 6 | | A411-000264 | COIL, IGNITION | 1 | |
| 7 | | V485-000680 | LEAD | 1 | |
| 8 | | V485-000620 | LEAD | 1 | L=140 |
| 9 | | 900162-05020 | BOLT, H.S. 5*20 | 2 | 5*20 W,SW |
| 10 | | A409-000272 | ROTOR, MAGNETO | 1 | FW-46 |
| 11 | | 900515-00008 | NUT, FLANGE 8 | 1 | 8 |
| 12 | | 177234-35430 | SPRING, RETURN | 2 | |
| 13 | | 177247-04630 | SPACER, RATCHET | 2 | 5.2*8*2.1 |
| 14 | | A514-000050 | PAWL | 2 | |
| 15 | | 900603-00005 | WASHER 5 | 2 | 5.5*12*0.8 |
| 16 | | V203-000090 | BOLT,5 | 2 | M5*14 |
| 17 | | A172-000572 | COVER,FAN | 1 | |
| 17 | | A172-000573 | COVER,FAN | 1 | |
| 18 | | A051-000982 | STARTER,RECOIL ASY | 1 | |
| 19 | + | 177236-61830 | SCREW | 1 | |
| 28 | + | V452-001320 | SPRING,TORSION | 1 | |
| 29 | + | A507-000110 | CATCHER,PAWL | 1 | |
| 20 | + | P022-008440 | ROPE, STARTER | 1 | 3.5*900 |
| 21 | + | A506-000460 | REEL,ROPE | 1 | |
| 22 | + | P022-010440 | SPRING KIT, REWIND | 1 | |
| 23 | + | P022-005891 | GRIP, STARTER | 1 | |
| 24 | + | A500-000421 | CASE,STARTER | 1 | |
| 25 | | 91145-05020 | BOLT HS TAPPING | 4 | 5*20 |
| 26 | | X502-000410 | LABEL,ECHO | 1 | |

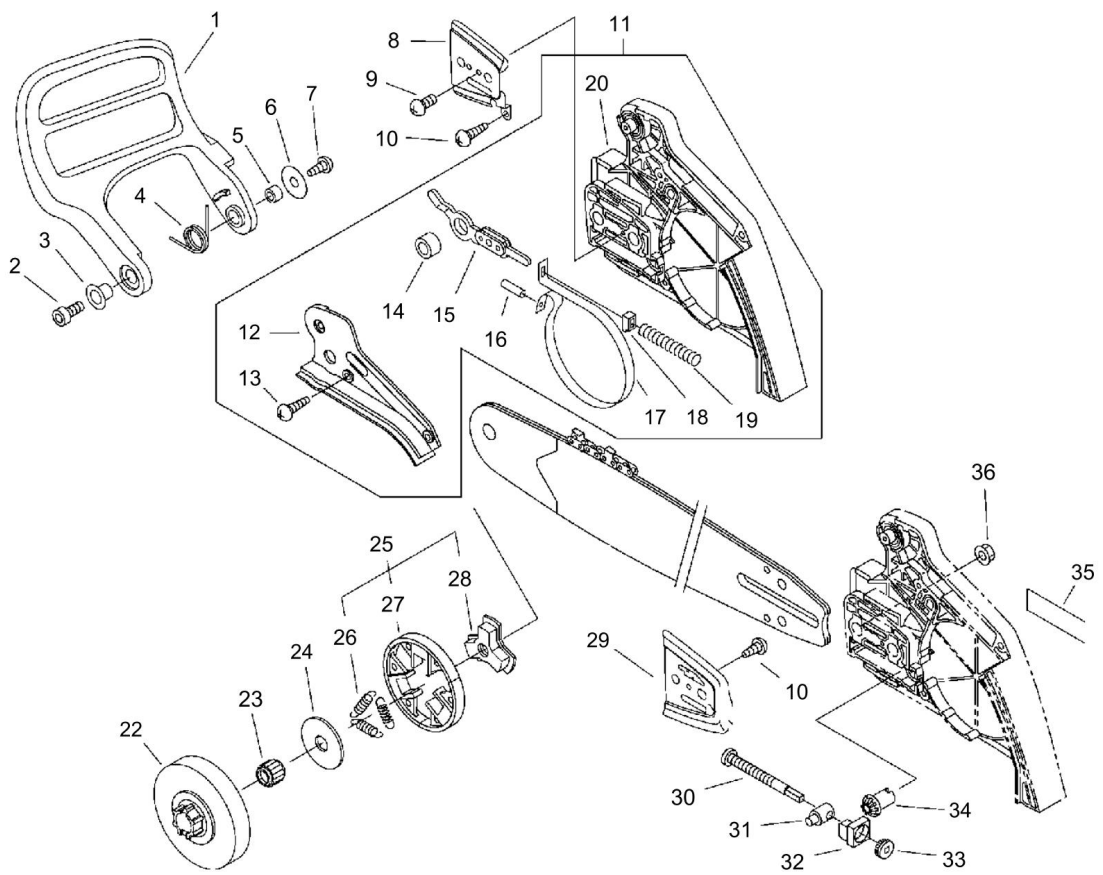
HANDLE



HANDLE

| Key No. | LV (+) | Part No | Description | Qty | Standard |
|---------|--------|--------------|---------------------|-----|----------|
| 1 | | 900253-04014 | SCREW 4*14 | 1 | 4*14 |
| 2 | | 351155-35430 | COVER, HANDLE (BL) | 1 | |
| 3 | | C460-000072 | LOCKOUT, THROTTLE | 1 | |
| 4 | | C450-000212 | CONTROL, THROTTLE | 1 | |
| 5 | | V452-000260 | SPRING,TORSION | 1 | |
| 6 | | 900345-40030 | PIN, SPRING 4*30SUS | 1 | 4*30SUS |
| 7 | | 100918-15130 | CAP | 2 | |
| 8 | | 900105-04020 | BOLT, H.S. 4*20 | 2 | 4*20 |
| 9 | | 100915-15131 | SUPPORTER, CUSHION | 2 | |
| 10 | | V400-000051 | CUSHION,4 | 2 | |
| 11 | | 351111-19830 | GRIP, HANDLE | 1 | |
| 12 | | 132115-44330 | GROMMET | 1 | |
| 13 | | 132010-00760 | PIPE, FUEL | 1 | 3*5*250L |
| 14 | | 132013-09820 | CLIP | 1 | 6MM |
| 15 | | 131205-19831 | STRAINER, FUEL | 1 | |
| 16 | | V162-000040 | PLUG | 1 | |
| 17 | | P021-010593 | HANDLE SET, REAR | 1 | |
| 18 | + | 131300-56431 | VENT ASSEMBLY, FUEL | 1 | |
| 19 | + | 131328-40630 | COVER, VENT | 1 | |
| 20 | + | 132013-26630 | CLIP | 1 | 6.5MM |
| 21 | + | 132012-39931 | PIPE | 1 | 3*6*65 |
| 22 | | P021-010601 | FUEL CAP ASY | 1 | |
| 23 | + | A365-000050 | CONNECTOR,CAP | 1 | |
| 24 | + | V581-000610 | RING,O | 1 | P22 |
| 24 | + | V581-000610 | RING,O | 1 | P22 |
| 25 | | C400-000431 | HANDLE, FRONT | 1 | |
| 26 | | 91145-05020 | BOLT HS TAPPING | 2 | 5*20 |
| 27 | | 91145-05016 | BOLT HS TAPPING | 2 | 5*16 |
| 28 | | V475-003970 | TUBE | 1 | |

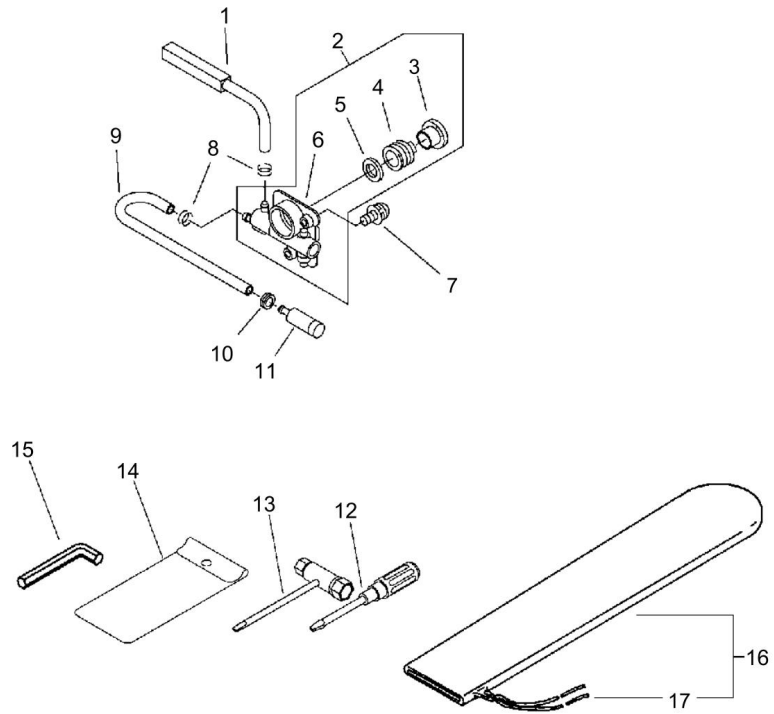
CLUTCH, SPROCKET



CLUTCH, SPROCKET

| Key No. | LV (+) | Part No | Description | Qty | Standard |
|---------|--------|--------------|-------------------------|-----|-------------|
| 1 | | C320-000113 | LEVER, BRAKE | 1 | |
| 2 | | 91145-05016 | BOLT HS TAPPING | 1 | 5*16 |
| 3 | | V356-000300 | COLLAR,10 | 1 | |
| 4 | | V452-000250 | SPRING,TORSION | 1 | |
| 5 | | 433116-35430 | SPACER 8 | 1 | 8*12*9 |
| 6 | | 177214-03930 | WASHER | 1 | |
| 7 | | V202-000070 | BOLT,4 | 1 | |
| 8 | | C305-000012 | PLATE,SPROCKET GUARD | 1 | |
| 9 | | 91325-03005 | SCREW | 1 | |
| 10 | | V202-000060 | BOLT,4 | 2 | 4*12 |
| 11 | | C032-000283 | BRAKE ASY, CHAIN | 1 | |
| 11 | | P021-017220 | BRAKE ASY, CHAIN | 1 | |
| 12 | + | C345-000211 | COVER,BRAKE | 1 | |
| 13 | + | V202-000060 | BOLT,4 | 3 | 4*12 |
| 14 | + | 433116-35430 | SPACER 8 | 1 | 8*12*9 |
| 15 | + | C334-000090 | CONNECTOR, BRAKE | 1 | |
| 16 | + | 93050-30098 | ROLLER | 1 | F3*9.8 |
| 17 | + | C328-000080 | BAND, BRAKE | 1 | |
| 18 | + | V376-000450 | SPACER | 1 | |
| 19 | + | V450-000070 | SPRING,COMPRESSION | 1 | |
| 20 | + | C300-000313 | GUARD, SPROCKET | 1 | |
| 22 | | A556-000480 | DRUM, CLUTCH | 1 | |
| 23 | | 175012-00831 | BEARING, NEEDLE | 1 | |
| 24 | | 175019-39430 | PLATE, CLUTCH | 1 | |
| 25 | | A056-000180 | CLUTCH ASY | 1 | |
| 26 | + | V451-000500 | SPRING,TENSION | 3 | |
| 27 | + | P021-007050 | CLUTCH SHOE SET | 1 | |
| 28 | + | A552-000070 | HUB, CLUTCH | 1 | |
| 29 | | 433012-39930 | PLATE, GUIDE | 1 | |
| 30 | | V203-000110 | BOLT,5 | 1 | |
| 31 | | C309-000030 | TENSIONER,CHAIN | 1 | |
| 32 | | V355-000270 | COLLAR,8 | 1 | |
| 33 | | V651-000011 | GEAR,BEVEL | 1 | |
| 34 | | V651-000001 | GEAR,BEVEL | 1 | |
| 35 | | X502-000340 | LABEL,ECHO | 1 | ECHO(WHITE) |
| 36 | | 433019-12330 | NUT, FLANGE 8 | 2 | M-8 |

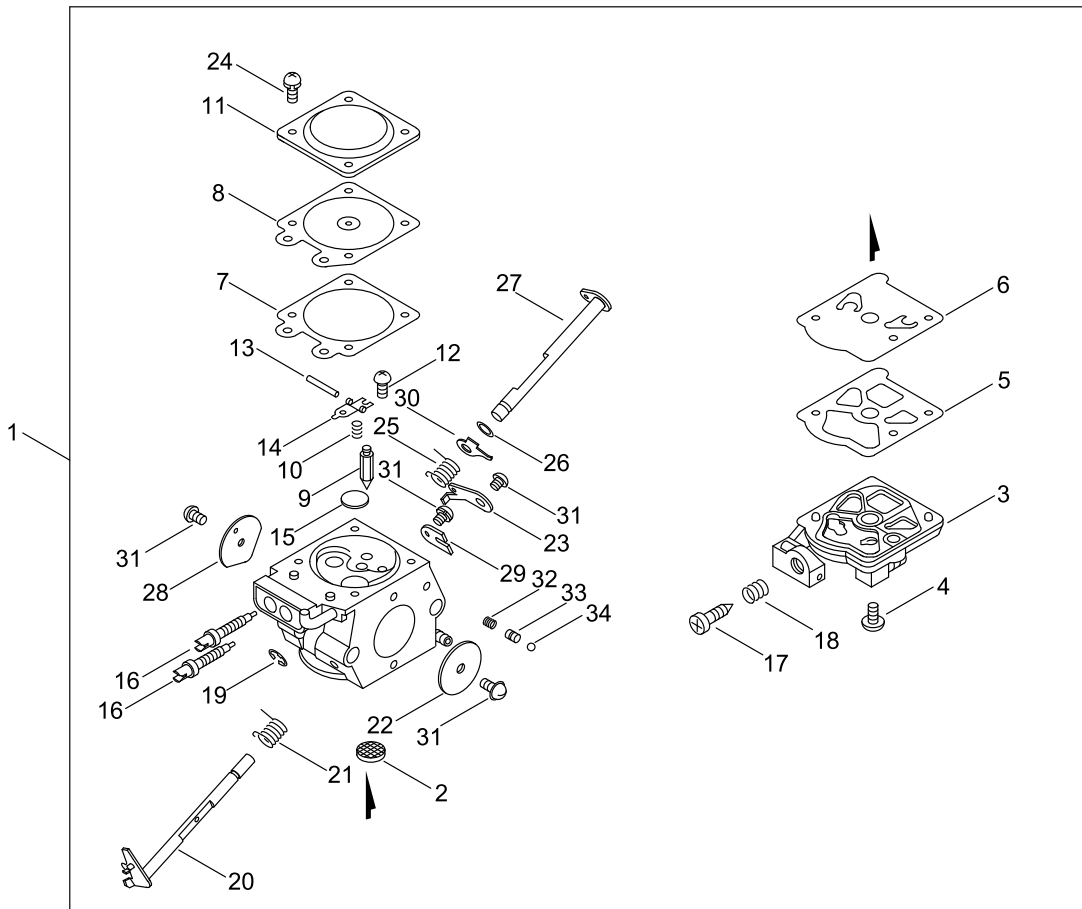
AUTO-OILER



AUTO-OILER

| Key No. | LV (+) | Part No | Description | Qty | Standard |
|---------|--------|--------------|---------------------|-----|---------------|
| 1 | | 437210-39931 | PIPE | 1 | |
| 2 | | P021-012150 | AUTO-OILER ASY | 1 | |
| 3 | + | V356-000390 | COLLAR,10 | 1 | |
| 4 | + | V652-000030 | GEAR,WORM | 1 | |
| 5 | + | V308-000030 | WASHER,CIRCULAR 11 | 1 | 10.5*17.4*1.8 |
| 6 | + | C022-000020 | AUTO-OILER ASSEMBLY | 1 | |
| 7 | | 900238-04012 | SCREW 4*12 | 2 | 4*12 |
| 8 | | 132013-26630 | CLIP | 1 | 6.5MM |
| 9 | | 437210-35430 | PIPE | 1 | |
| 10 | | 132115-12330 | GROMMET | 1 | |
| 11 | | 436205-14730 | STRAINER, OIL | 1 | |
| 12 | | 895812-03930 | DRIVER, SCREW 50 | 1 | |
| 13 | | X602-000080 | TOOL,WRENCH | 1 | 13*19 L180 |
| 14 | | 898510-07130 | BAG, TOOL | 1 | |
| 15 | | X605-000100 | TOOL,L WRENCH | 1 | 4MM M5 |
| 16 | | P021-014660 | SCABBARD,CHAIN | 1 | |
| 17 | + | 898568-14530 | ROPE | 1 | 5*900 |

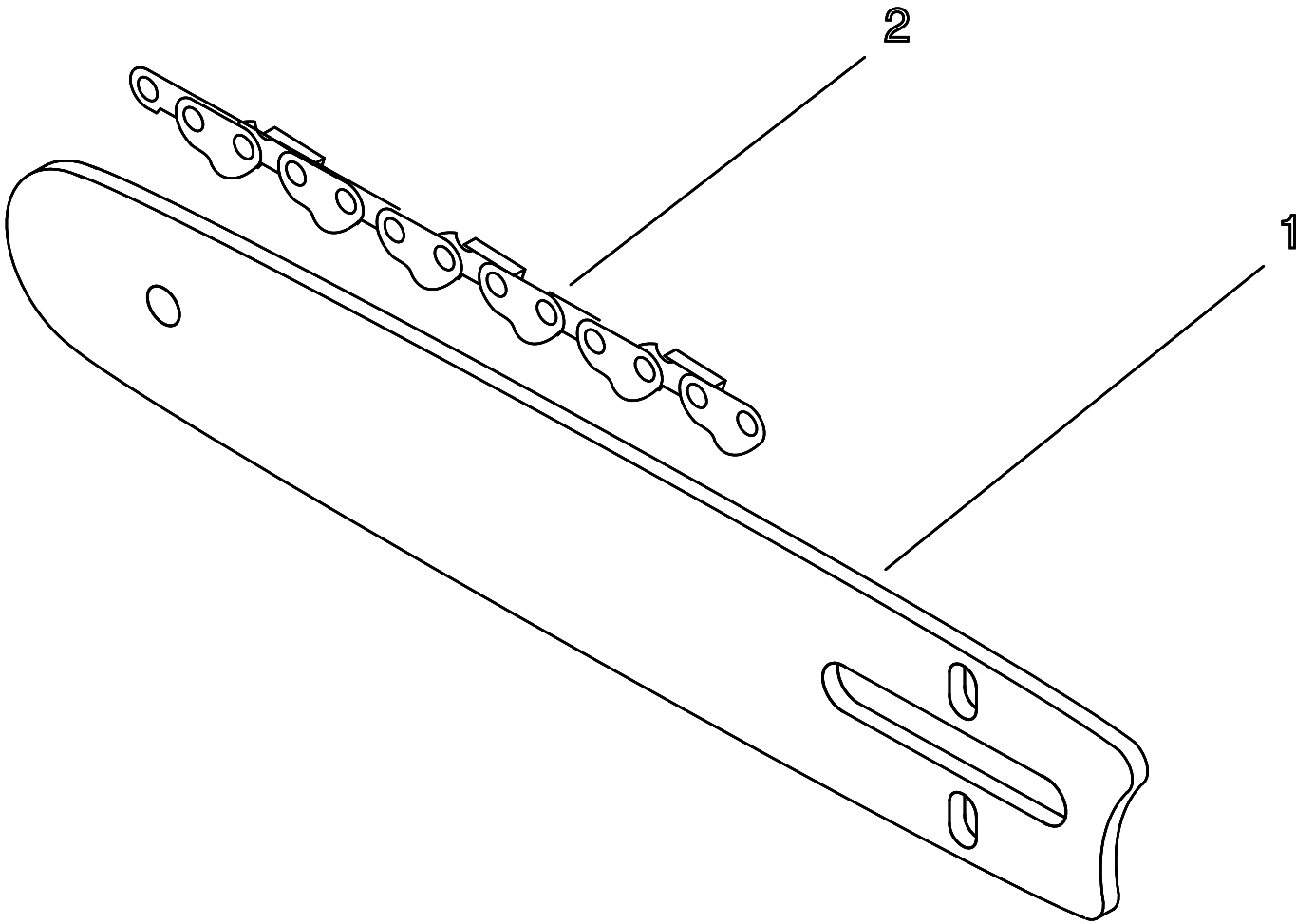
CARBURETOR



CARBURETOR

| Key No. | LV (+) | Part No | Description | Qty | Standard |
|---------|--------|--------------|-----------------------|-----|----------|
| 1 | | A021-001900 | CARBURETOR, DIAPHRAGM | 1 | |
| 2 | + | 123126-10631 | SCREEN, INLET | 1 | |
| 3 | + | P003-003930 | COVER, FUEL PUMP | 1 | |
| 4 | + | 123110-03930 | SCREW, PUMP COVER | 1 | |
| 5 | + | 123125-15030 | GASKET, FUEL PUMP | 1 | |
| 6 | + | 123112-15030 | DIAPHRAGM, FUEL PUMP | 1 | |
| 7 | + | 123140-03930 | GASKET, M. DIAPHRAGM | 1 | |
| 8 | + | P003-001850 | DIAPHRAGM, METERING | 1 | |
| 9 | + | 123137-19830 | VALVE, INLET NEEDLE | 1 | |
| 10 | + | 123122-39330 | SPRING, METER. LEVER | 1 | |
| 11 | + | 123142-03930 | COVER, M. DIAPHRAGM | 1 | |
| 12 | + | 123139-03930 | SCREW, M. LEVER PIN | 1 | |
| 13 | + | 123138-03930 | PIN, METERING LEVER | 1 | |
| 14 | + | 123123-03930 | LEVER, METERING | 1 | |
| 15 | + | 123146-10631 | PLUG, WELCH | 1 | |
| 16 | + | P003-002270 | NEEDLE | 2 | |
| 17 | + | 123134-04260 | SCREW, IDLE ADJUST | 1 | |
| 18 | + | 123133-04260 | SPRING, IDLE ADJUST | 1 | |
| 19 | + | 123127-15030 | RING | 1 | |
| 20 | + | P003-003960 | SHAFT ASY, THROTTLE | 1 | |
| 21 | + | 123113-37530 | SPRING, THROTTLE RTN | 1 | |
| 22 | + | 123116-10530 | VALVE, THROTTLE | 1 | |
| 23 | + | P003-001780 | LEVER, THROTTLE | 1 | |
| 24 | + | 123130-02960 | SCREW | 4 | |
| 25 | + | P003-002260 | SPRING | 1 | |
| 26 | + | 123149-26030 | WASHER | 1 | |
| 27 | + | P003-000150 | CHOKE, SHAFT | 1 | |
| 28 | + | P003-001790 | VALVE, CHOKE | 1 | |
| 29 | + | 123127-03930 | CLIP, THROTTLE SHAFT | 1 | |
| 30 | + | P003-001510 | LEVER-FAST IDLE | 1 | |
| 31 | + | 123114-38830 | SCREW | 4 | |
| 32 | + | 123186-09660 | SPRING, START VALVE | 1 | |
| 33 | + | 123185-09660 | PISTON ASSY | 1 | |
| 34 | + | 123136-09660 | BALL | 1 | |

GUIDE BAR, CHAIN



GUIDE BAR, CHAIN

| Key No. | LV (+) | Part No | Description | Qty | Standard |
|---------|--------|--------------|----------------------|-----|------------|
| 1A | | 430521-37333 | BAR, GUIDE 38RD58325 | 1 | 38RD58-325 |
| 2A | | 431721-30231 | CHAIN, SAW | 1 | 21BPX-64E |
| 1B | | 430527-37333 | BAR, GUIDE 43RD58325 | 1 | 43RD58-325 |
| 2B | | 431717-30231 | CHAIN, SAW | 1 | 21BPX-72E |

NUMERICAL PARTS INDEX

| Part No | Part description | Page | Part No | Part description | Page | Part No | Part description | Page |
|--------------|----------------------|------|--------------|----------------------|------|--------------|--------------------------|------|
| 100012-16131 | BEARING, NEEDLE | 2 | 132013-09820 | CLIP | 6 | 900238-05050 | SCREW 5*50 | 6 |
| 100014-53630 | SPACER, PISTON PIN | 2 | 132013-09820 | CLIP | 10 | 900253-04014 | SCREW 4*14 | 10 |
| 100015-03931 | CIRCLIP, PISTON PIN | 2 | 132013-26630 | CLIP | 10 | 900253-05020 | SCREW 5*20 | 6 |
| 100142-12330 | KEY, WOODRUFF | 2 | 132013-26630 | CLIP | 14 | 900345-40030 | PIN, SPRING 4*30SUS | 10 |
| 100910-60030 | CUSHION | 2 | 132115-12330 | GROMMET | 14 | 900515-00008 | NUT, FLANGE 8 | 8 |
| 100915-15131 | SUPPORTER, CUSHION | 10 | 132115-44330 | GROMMET | 10 | 900516-00005 | NUT, FRANGE 5 | 6 |
| 100915-33930 | SCREW | 2 | 150114-04920 | BUSHING | 2 | 900600-00005 | WASHER 5 | 6 |
| 100918-15130 | CAP | 2 | 150117-16430 | SPACER | 8 | 900603-00005 | WASHER 5 | 8 |
| 100918-15130 | CAP | 10 | 163400-38330 | SWITCH, IGNITION | 6 | 900721-00025 | O-RING 25 | 2 |
| 123110-03930 | SCREW, PUMP COVER | 16 | 175012-00831 | BEARING, NEEDLE | 12 | 900888-36201 | BEARING, BALL 6201 | 2 |
| 123112-15030 | DIAPHRAGM, FUEL PUMP | 16 | 175019-39430 | PLATE, CLUTCH | 12 | 91145-05016 | BOLT HS TAPPING | 2 |
| 123113-37530 | SPRING, THROTTLE RTN | 16 | 177214-03930 | WASHER | 12 | 91145-05016 | BOLT HS TAPPING | 10 |
| 123114-38830 | SCREW | 16 | 177234-35430 | SPRING, RETURN | 8 | 91145-05016 | BOLT HS TAPPING | 12 |
| 123116-10530 | VALVE, THROTTLE | 16 | 177236-61830 | SCREW | 8 | 91145-05020 | BOLT HS TAPPING | 2 |
| 123122-39330 | SPRING, METER. LEVER | 16 | 177247-04630 | SPACER, RATCHET | 8 | 91145-05020 | BOLT HS TAPPING | 8 |
| 123123-03930 | LEVER, METERING | 16 | 178810-14534 | GROMMET | 6 | 91145-05020 | BOLT HS TAPPING | 10 |
| 123125-15030 | GASKET, FUEL PUMP | 16 | 351111-19830 | GRIP, HANDLE | 10 | 91325-03005 | SCREW | 12 |
| 123126-10631 | SCREEN, INLET | 16 | 351134-39930 | CUSHION | 6 | 93050-30098 | ROLLER | 12 |
| 123127-03930 | CLIP, THROTTLE SHAFT | 16 | 351155-35430 | COVER, HANDLE (BL) | 10 | A021-001900 | CARBURETOR, DIAPHRAGM | 6 |
| 123127-15030 | RING | 16 | 430521-37333 | BAR, GUIDE 38RD58325 | 18 | A021-001900 | CARBURETOR, DIAPHRAGM | 16 |
| 123130-02960 | SCREW | 16 | 430527-37333 | BAR, GUIDE 43RD58325 | 18 | A051-000982 | STARTER,RECOIL ASY | 8 |
| 123133-04260 | SPRING, IDLE ADJUST | 16 | 431717-30231 | CHAIN, SAW | 18 | A056-000180 | CLUTCH ASY | 12 |
| 123134-04260 | SCREW, IDLE ADJUST | 16 | 431721-30231 | CHAIN, SAW | 18 | A101-000160 | RING, PISTON | 2 |
| 123136-09660 | BALL | 16 | 433011-19831 | STUD, GUIDE BAR | 2 | A160-000764 | COVER,CYLINDER | 2 |
| 123137-19830 | VALVE, INLET NEEDLE | 16 | 433012-39930 | PLATE, GUIDE | 12 | A172-000572 | COVER,FAN | 8 |
| 123138-03930 | PIN, METERING LEVER | 16 | 433019-12330 | NUT, FLANGE 8 | 12 | A172-000573 | COVER,FAN | 8 |
| 123139-03930 | SCREW, M. LEVER PIN | 16 | 433116-35430 | SPACER 8 | 12 | A202-000060 | BELLOWS, INTAKE | 2 |
| 123140-03930 | GASKET, M. DIAPHRAGM | 16 | 436114-13930 | VALVE, CHECK | 2 | A209-000000 | PLATE,INSULATOR | 2 |
| 123142-03930 | COVER, M. DIAPHRAGM | 16 | 436205-14730 | STRAINER, OIL | 14 | A232-000023 | LID,CLEANER | 2 |
| 123146-10631 | PLUG, WELCH | 16 | 437210-35430 | PIPE | 14 | A232-000024 | LID,CLEANER | 2 |
| 123149-26030 | WASHER | 16 | 437210-39931 | PIPE | 14 | A235-000020 | KNOB,CLEANER LID | 2 |
| 123181-39130 | PUMP, PRIMER | 6 | 890157-39130 | LABEL, SWITCH | 6 | A241-000140 | KNOB, CHOKE | 6 |
| 123185-09660 | PISTON ASSY | 16 | 890345-39230 | LABEL,CAUTION | 2 | A300-000680 | MUFFLER, EXHAUST | 6 |
| 123186-09660 | SPRING, START VALVE | 16 | 890631-38130 | LABEL, CAUTION | 2 | A310-000060 | SCREEN, ARRESTOR | 6 |
| 130007-39932 | INSULATOR | 6 | 895812-03930 | DRIVER, SCREW 50 | 14 | A313-000811 | GUIDE, EXHAUST | 6 |
| 130020-33330 | NUT | 6 | 898510-07130 | BAG, TOOL | 14 | A365-000050 | CONNECTOR,CAP | 2 |
| 130300-39730 | CLEANER ASM., AIR | 6 | 898568-14530 | ROPE | 14 | A365-000050 | CONNECTOR,CAP | 10 |
| 130301-39935 | ADAPTER, INTAKE | 6 | 900105-04020 | BOLT, H.S. 4*20 | 10 | A409-000272 | ROTOR, MAGNETO | 8 |
| 130338-32430 | PLUG, COVER | 2 | 900162-05020 | BOLT, H.S. 5*20 | 8 | A411-000264 | COIL, IGNITION | 8 |
| 130405-38332 | BRACKET, AIR CLEANER | 6 | 900162-05022 | BOLT, H.S. 5*22 | 2 | A425-000000 | SPARKPLUG | 8 |
| 131205-19831 | STRAINER, FUEL | 10 | 900162-05030 | BOLT, H.S. 5*30 | 2 | A426-000010 | TERMINAL,SPARKPLUG | 8 |
| 131300-56431 | VENT ASSEMBLY, FUEL | 10 | 900220-04008 | SCREW 4*8 | 6 | A427-000013 | CAP,SPARK PLUG | 8 |
| 131328-40630 | COVER, VENT | 10 | 900238-04012 | SCREW 4*12 | 14 | A439-000145 | BRACKET,SWITCH | 6 |
| 132010-00760 | PIPE, FUEL | 10 | 900238-05014 | SCREW 5*14 | 2 | A500-000421 | CASE,STARTER | 8 |
| 132012-39931 | PIPE | 10 | 900238-05020 | SCREW 5*20 | 2 | | | |

NUMERICAL PARTS INDEX

| Part No | Part description | Page | Part No | Part description | Page | Part No | Part description | Page |
|-------------|-------------------------|------|-------------|--------------------|------|-------------|------------------|------|
| A506-000460 | REEL,ROPE | 8 | V103-000290 | GASKET,INTAKE | 2 | X602-000080 | TOOL,WRENCH | 14 |
| A507-000110 | CATCHER,PAWL | 8 | V104-000732 | GASKET,EXHAUST | 6 | X605-000100 | TOOL,L WRENCH | 14 |
| A514-000050 | PAWL | 8 | V135-000010 | GROMMET,HT CORD | 2 | | | |
| A552-000070 | HUB, CLUTCH | 12 | V150-001820 | PLATE,EYE | 6 | | | |
| A556-000480 | DRUM, CLUTCH | 12 | V162-000040 | PLUG | 10 | | | |
| C022-000020 | AUTO-OILER ASSEMBLY | 14 | V202-000060 | BOLT,4 | 12 | | | |
| C032-000283 | BRAKE ASY, CHAIN | 12 | V202-000070 | BOLT,4 | 12 | | | |
| C300-000313 | GUARD, SPROCKET | 12 | V203-000090 | BOLT,5 | 8 | | | |
| C304-000010 | SPIKED | 2 | V203-000110 | BOLT,5 | 12 | | | |
| C305-000012 | PLATE,SPROCKET GUARD | 12 | V203-000220 | BOLT,5 | 6 | | | |
| C309-000030 | TENSIONER,CHAIN | 12 | V308-000030 | WASHER,CIRCULAR 11 | 14 | | | |
| C310-000000 | CATCHER, CHAIN | 2 | V341-000050 | WASHER,SQUARE | 2 | | | |
| C320-000113 | LEVER, BRAKE | 12 | V341-000060 | WASHER,SQUARE | 2 | | | |
| C328-000080 | BAND, BRAKE | 12 | V341-000070 | WASHER,SQUARE | 4 | | | |
| C334-000090 | CONNECTOR, BRAKE | 12 | V355-000270 | COLLAR,8 | 12 | | | |
| C345-000211 | COVER,BRAKE | 12 | V356-000300 | COLLAR,10 | 12 | | | |
| C400-000431 | HANDLE, FRONT | 10 | V356-000390 | COLLAR,10 | 14 | | | |
| C450-000212 | CONTROL, THROTTLE | 10 | V376-000450 | SPACER | 12 | | | |
| C454-000100 | ROD, THROTTLE | 6 | V400-000051 | CUSHION,4 | 10 | | | |
| C460-000072 | LOCKOUT, THROTTLE | 10 | V420-001250 | CUSHION | 2 | | | |
| P003-000150 | CHOKE, SHAFT | 16 | V420-001420 | CUSHION | 6 | | | |
| P003-001510 | LEVER-FAST IDLE | 16 | V450-000070 | SPRING,COMPRESSION | 12 | | | |
| P003-001780 | LEVER, THROTTLE | 16 | V451-000500 | SPRING,TENSION | 12 | | | |
| P003-001790 | VALVE, CHOKE | 16 | V452-000250 | SPRING,TORSION | 12 | | | |
| P003-001850 | DIAPHRAGM, METERING | 16 | V452-000260 | SPRING,TORSION | 10 | | | |
| P003-002260 | SPRING | 16 | V452-001320 | SPRING,TORSION | 8 | | | |
| P003-002270 | NEEDLE | 16 | V471-001280 | PIPE | 6 | | | |
| P003-003930 | COVER, FUEL PUMP | 16 | V471-001470 | PIPE | 6 | | | |
| P003-003960 | SHAFT ASY,THROTTLE | 16 | V471-001600 | PIPE | 6 | | | |
| P021-007050 | CLUTCH SHOE SET | 12 | V475-003970 | TUBE | 10 | | | |
| P021-007630 | CAP ASY,TANK | 2 | V485-000620 | LEAD | 8 | | | |
| P021-009857 | COVER ENGINE ASY | 2 | V485-000680 | LEAD | 8 | | | |
| P021-010593 | HANDLE SET, REAR | 10 | V486-000021 | TERMINAL,LEAD | 6 | | | |
| P021-010601 | FUEL CAP ASY | 10 | V490-000310 | CLIP | 8 | | | |
| P021-012150 | AUTO-OILER ASY | 14 | V505-000011 | SEAL,OIL 12 | 2 | | | |
| P021-013621 | CRANKSHAFT ASY | 2 | V581-000610 | RING,O | 10 | | | |
| P021-014660 | SCABBARD,CHAIN | 14 | V607-000000 | PIN,ENG 9 | 2 | | | |
| P021-017220 | BRAKE ASY, CHAIN | 12 | V651-000001 | GEAR,BEVEL | 12 | | | |
| P021-017360 | CRANKCASE SET | 2 | V651-000011 | GEAR,BEVEL | 12 | | | |
| P021-036520 | PISTON KIT | 2 | V652-000030 | GEAR,WORM | 2 | | | |
| P022-005891 | GRIP, STARTER | 8 | V652-000030 | GEAR,WORM | 14 | | | |
| P022-008440 | ROPE, STARTER | 8 | X502-000340 | LABEL,ECHO | 12 | | | |
| P022-010440 | SPRING KIT, REWIND | 8 | X502-000410 | LABEL,ECHO | 8 | | | |
| V103-000280 | GASKET,INTAKE | 6 | X503-008450 | LABEL,MODEL | 2 | | | |
| | | | X524-001900 | LABEL | 2 | | | |