



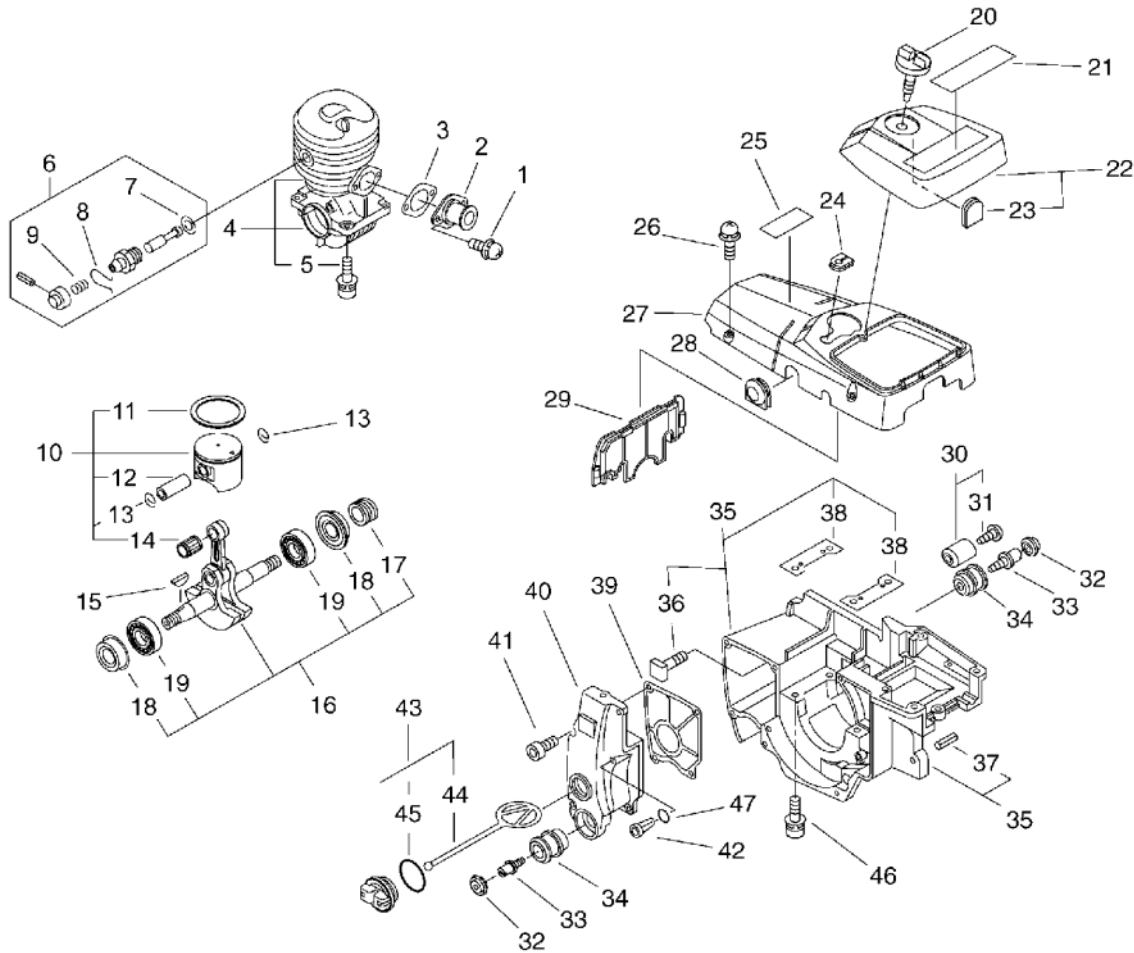
PARTS CATALOGUE

CHAIN SAW CS-395SP

CS-395SP

1. Cylinder, Crankcase, Piston

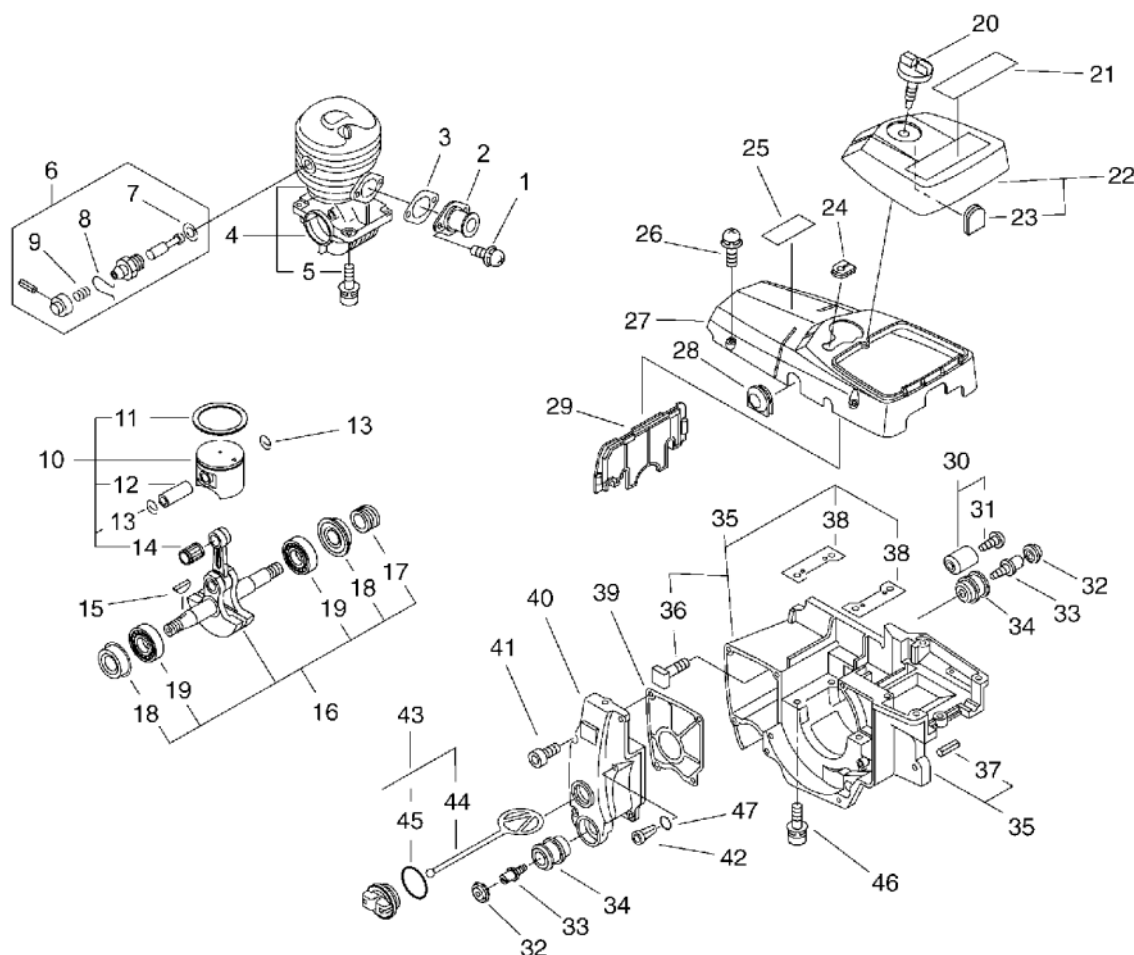
No.1



KEY	LV	PART NUMBER	Q'TY	DESCRIPTION	REMARKS	NOTE1	NOTE2
1		900238-05012	2	SCREW 5*12	5*12		
2		130510-39932	1	ADAPTER, INTAKE			
3		130016-39930	1	GASKET, INTAKE			
4		P021-009860	1	CRANKCASE SET			
5	+	900162-05022	4	BOLT, H.S. 5*22	5*22 W,SW		
6		101100-37530	1	RELEASE ASSY, COMP.			
7	+	159025-37530	1	GASKET			
8	+	101119-37530	1	CLIP			
9	+	101113-37530	1	SPRING			
10		P021-003570	1	PISTON KIT			
11	+	100011-37330	2	RING, PISTON			
12	+	V607-000000	1	PIN,ENG 9			
13	+	100015-03931	2	CIRCLIP, PISTON PIN			
14	+	100012-35430	1	BEARING, NEEDLE	9*12*12		
15		100142-39130	1	KEY, WOODRUFF			
16		P021-009490	1	CRANKSHAFT ASY			
17	+	437063-38330	1	GEAR, WORM			
18	+	V505-000010	2	SEAL,OIL 12			
19	+	900888-36201	2	BEARING, BALL 6201	6201		
20		A235-000000	1	KNOB,CLEANER LID			
21		X503-007050	1	LABEL,MODEL	CS-395SP		
22		P021-007151	1	LID,CLEANER			
23	+	130338-32430	1	PLUG, COVER			
24		V135-000010	1	GROMMET,HT CORD			
25		890345-39230	1	LABEL,CAUTION			
26		900238-05025	3	SCREW 5*25	5*25		

1. Cylinder, Crankcase, Piston

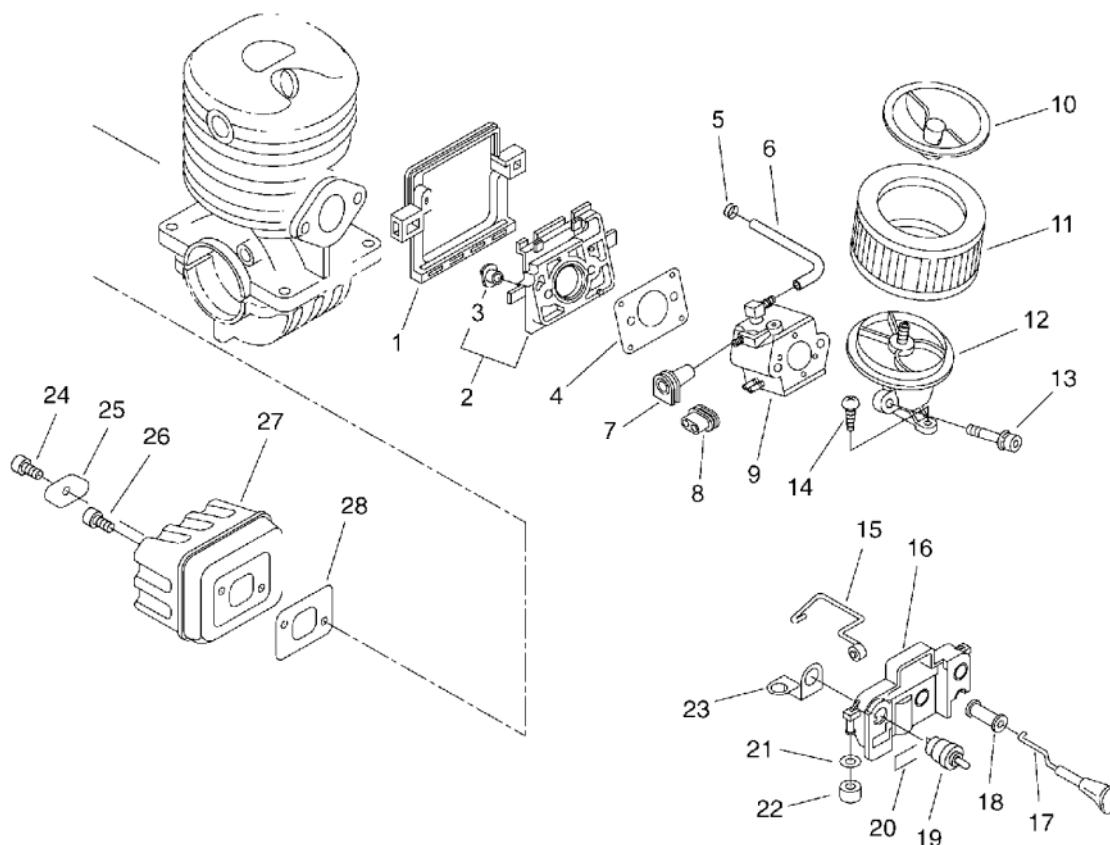
No.1



KEY	LV	PART NUMBER	Q'TY	DESCRIPTION	REMARKS	NOTE1	NOTE2
27		A160-000004	1	COVER,CYLINDER			
28		101578-39930	1	PLUG			
29		A209-000000	1	PLATE,INSULATOR			
30		433000-19831	1	CATCHER KIT, CHAIN			
31	+	900220-05018	1	SCREW 5*18	5*18		
32		100918-14330	2	CAP,CUSHION			
33		100915-33930	2	SCREW			
34		100917-14530	2	CUSHION			
35		104005-39932	1	COVER, ENGINE		Sus. by P021-010090	
35		P021-010090	1	COVER ENGINE KIT			
36	+	433011-19830	2	STUD, GUIDE BAR			
37	+	900345-50010	1	PIN, SPRING 5*10SUS	5*10SUS		
38	+	V150-001650	2	PLATE,EYE		Can be used on the P021-010090 only	
39		436019-39930	1	GASKET, OIL TANK			
40		436010-39930	1	TANK, OIL			
41		900105-04016	4	BOLT, H.S. 4*16	4*16		
42		436114-13930	1	VALVE, CHECK			
43		436001-39232	1	CAP, OIL			
44	+	A365-000050	1	CONNECTOR,CAP			
45	+	900721-00025	1	O-RING 25	G-25		
46		900162-05030	4	BOLT, H.S. 5*30	5*30 W,SW	Sus. by V203-000160	
46		V203-000160	4	BOLT,5	5*30		

2. Air Cleaner, Muffler

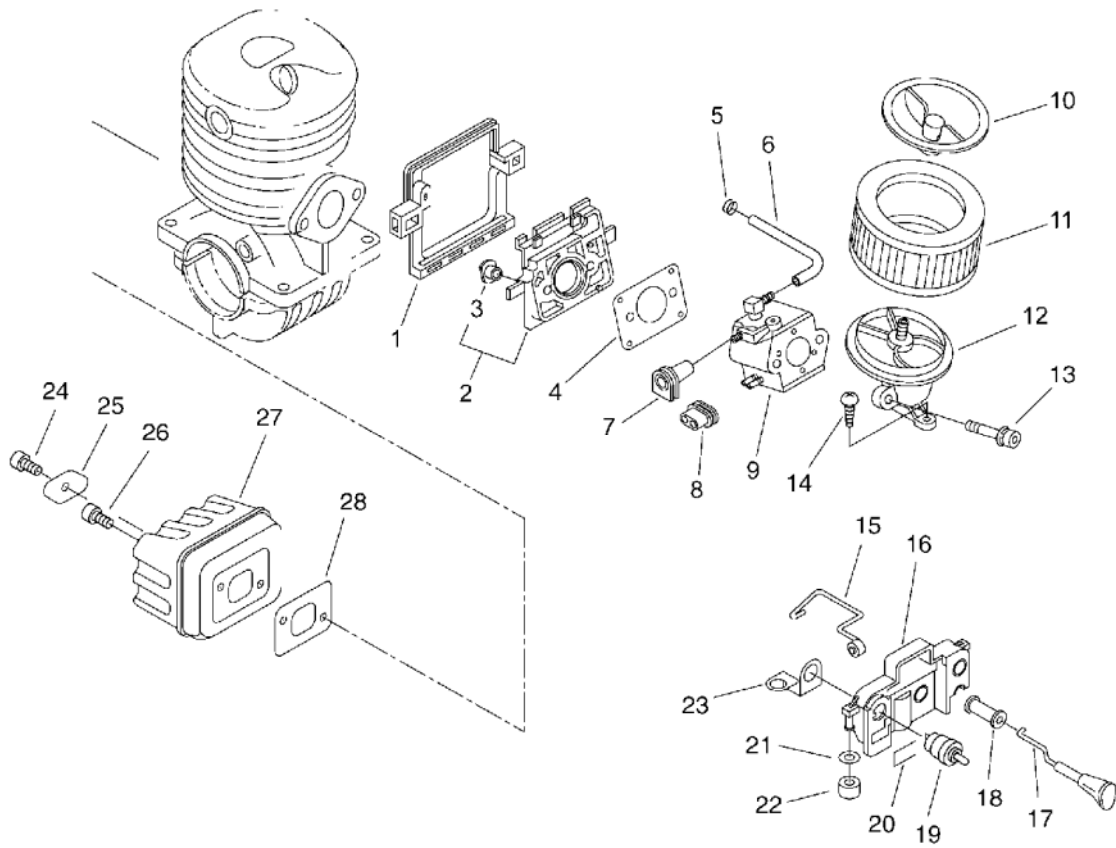
No.2



KEY	LV	PART NUMBER	Q'TY	DESCRIPTION	REMARKS	NOTE1	NOTE2
1		130366-39930	1	CUSHION			
2		130007-39931	1	INSULATOR			
3	+	130020-33330	2	NUT			
4		130010-38330	1	GASKET, INTAKE			
5		132013-09820	1	CLIP	6MM		
6		130110-54430	1	PIPE, IMPULSE	3*6*105 NBR		
7		129023-39930	1	GROMMET, IDLE			
8		129010-33330	1	GROMMET			
9		A021-000080	1	CARBURETOR,DIAPHRAGM	WT-567		
10		130405-38331	1	BRACKET, AIR CLEANER			
11		130300-39730	1	CLEANER ASM., AIR			
12		130301-39932	1	ADAPTER, INTAKE			
13		900162-05050	2	BOLT, H.S. 5*50	5*50 W,SW		
14		900105-05016	1	BOLT, H.S. 5*16	5*16		
15		C454-000012	1	ROD,THROTTLE			
16		163810-59534	1	BRACKET, SWITCH			
17		A241-000100	1	KNOB, CHOKE			
18		178810-14534	1	GROMMET			
19		163400-35430	1	SWITCH, IGNITION			
20		890157-39130	1	LABEL, SWITCH			
21		900600-00005	2	WASHER 5	5		
22		351134-39930	2	CUSHION			
23		163413-59530	1	PLATE, CONTACT			
24		900105-04006	1	BOLT, H.S. 4*6	4*6		
25		145711-60631	1	STAY, MUFFLER			
26		900105-05016	2	BOLT, H.S. 5*16	5*16		

2. Air Cleaner, Muffler

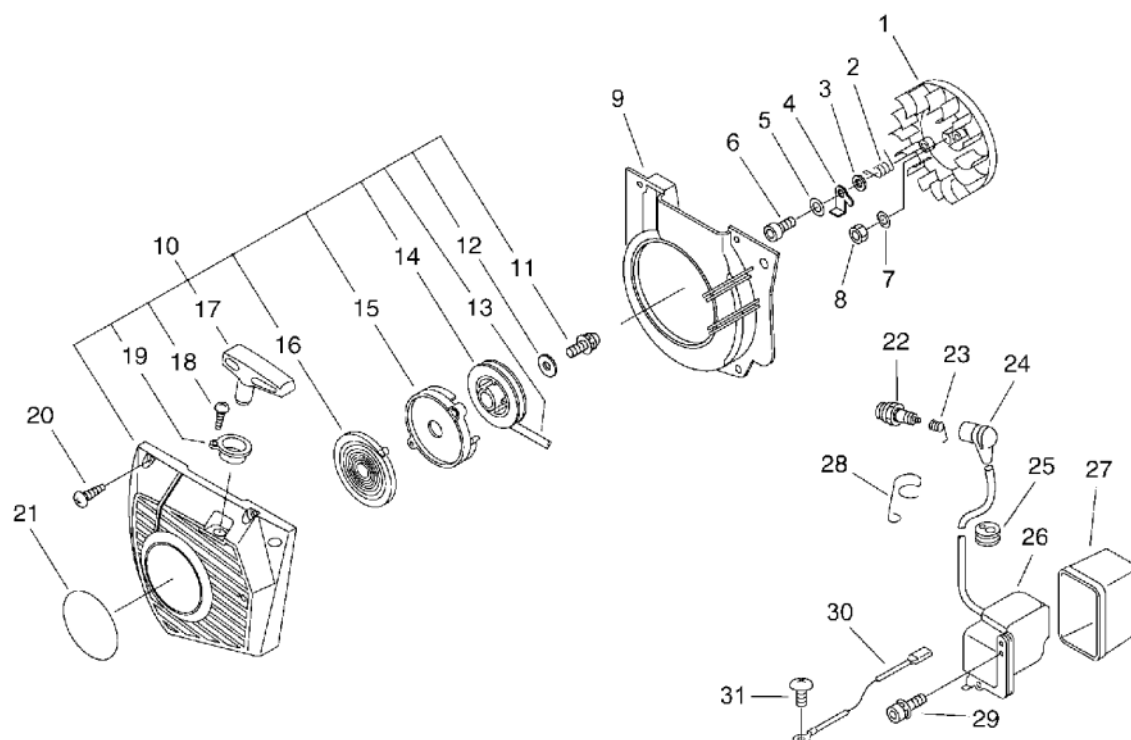
No.2



KEY	LV	PART NUMBER	Q'TY	DESCRIPTION	REMARKS	NOTE1	NOTE2
27		A300-000290	1	MUFFLER,EXHAUST			
28		145510-35431	1	GASKET, MUFFLER			

3. Starter, Magneto

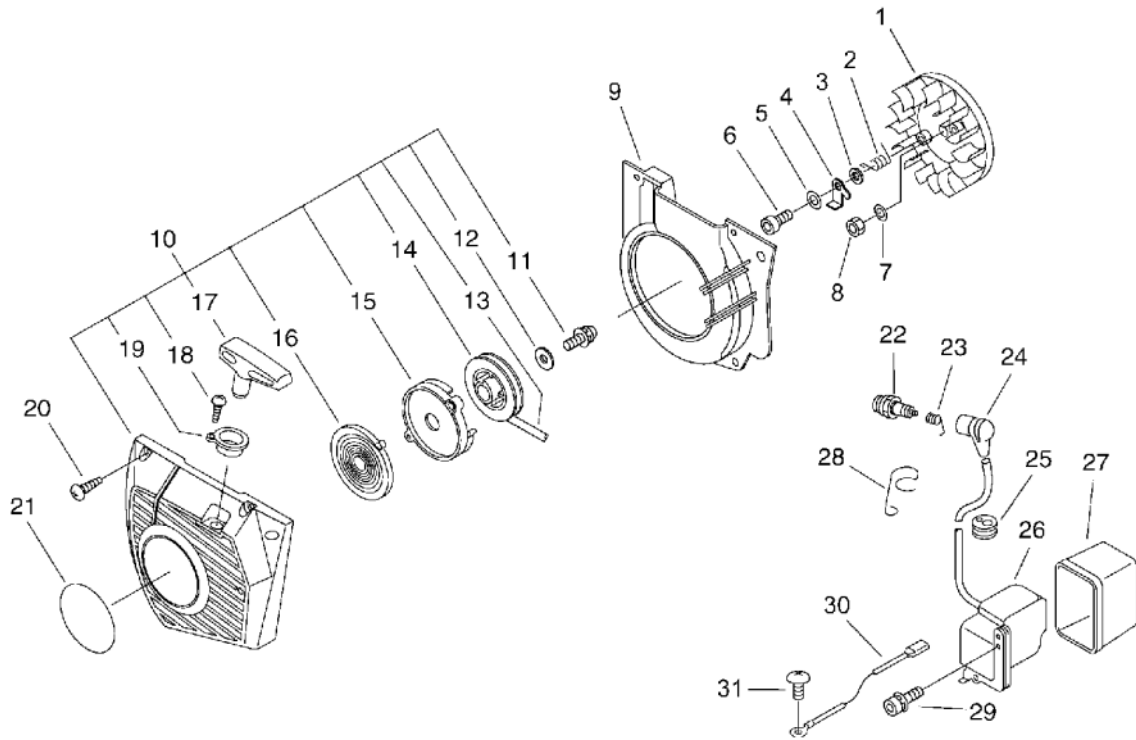
No.3



KEY	LV	PART NUMBER	Q'TY	DESCRIPTION	REMARKS	NOTE1	NOTE2
1		A409-000120	1	ROTOR,MAGNETO			
2		177234-35430	2	SPRING, RETURN			
3		177247-04630	2	SPACER, RATCHET	5.2*8*2.1		
4		177218-35430	2	PAWL, STARTER			
5		900603-00005	2	WASHER 5	5.5*12*0.8		
6		V203-000090	2	BOLT,5	M5*14		
7		900605-00008	1	WASHER, SPRING 8	8		
8		900500-00008	1	NUT 8	8*P1.25		
9		101535-39932	1	COVER, FAN			
10		P021-003661	1	STARTER ASY			
11	+	900238-05012	1	SCREW 5*12	5*12		
12	+	177214-02830	1	WASHER	5.2*16*1.0T		
13	+	177226-11130	1	ROPE, STARTER	3.5*770		
14	+	177215-35430	1	DRUM, STARTER			
15	+	177221-35430	1	PLATE, STARTER			
16	+	177220-35430	1	SPRING, REWIND			
17	+	A511-000010	1	GRIP,STARTER			
18	+	900296-03014	1	SCREW 3*14	3*14 SUS		
19	+	177227-39131	1	GUIDE, ROPE BL			
20		900238-04016	4	SCREW 4*16	4*16		
21		890118-49330	1	LABEL, ECHO			
22		159010-19830	1	PLUG, SPARK (BPM-8Y)	BPM-8Y		
23		A426-000010	1	TERMINAL,SPARKPLUG			
24		A427-000012	1	CAP, SPARK PLUG			
25		151112-04630	1	BUSHING			
26		A411-000090	1	COIL,IGNITION			

3. Starter, Magneto

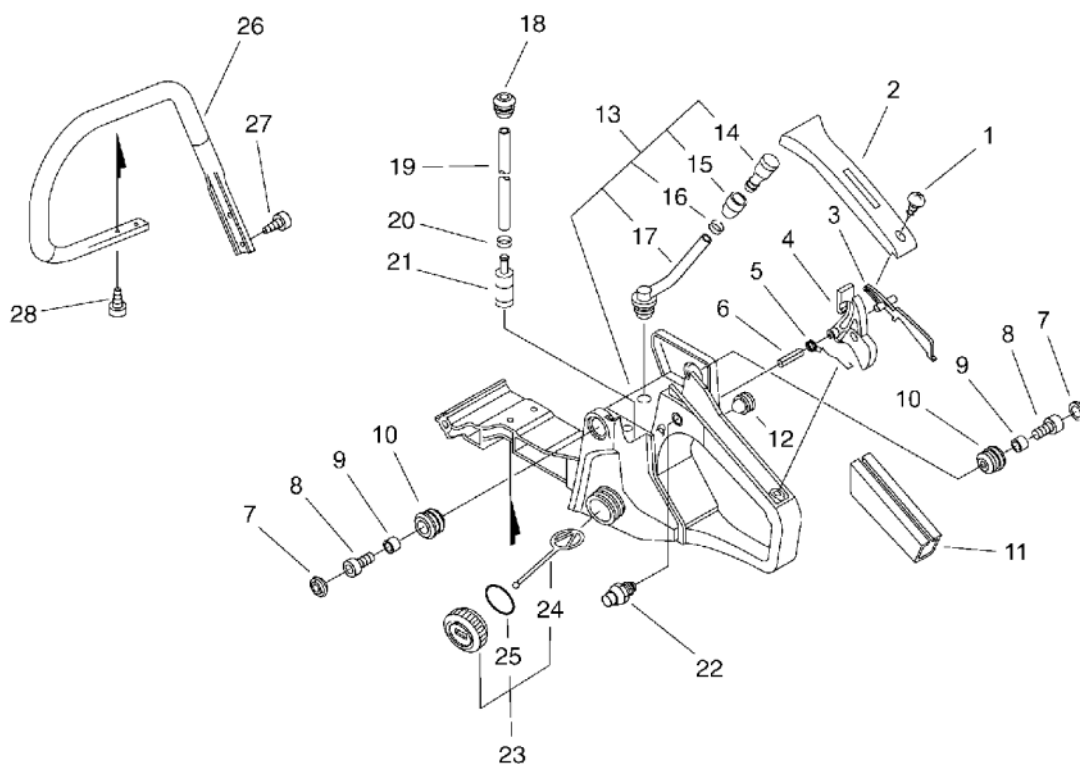
No.3



KEY	LV	PART NUMBER	Q'TY	DESCRIPTION	REMARKS	NOTE1	NOTE2
27		V420-000620	1	CUSHION			
28		159118-39930	1	GUIDE, CORD			
29		900105-04016	2	BOLT, H.S. 4*16	4*16		
30		156630-39930	1	LEAD, GROUND			
31		900216-04006	1	SCREW	4*6		

4. Handle

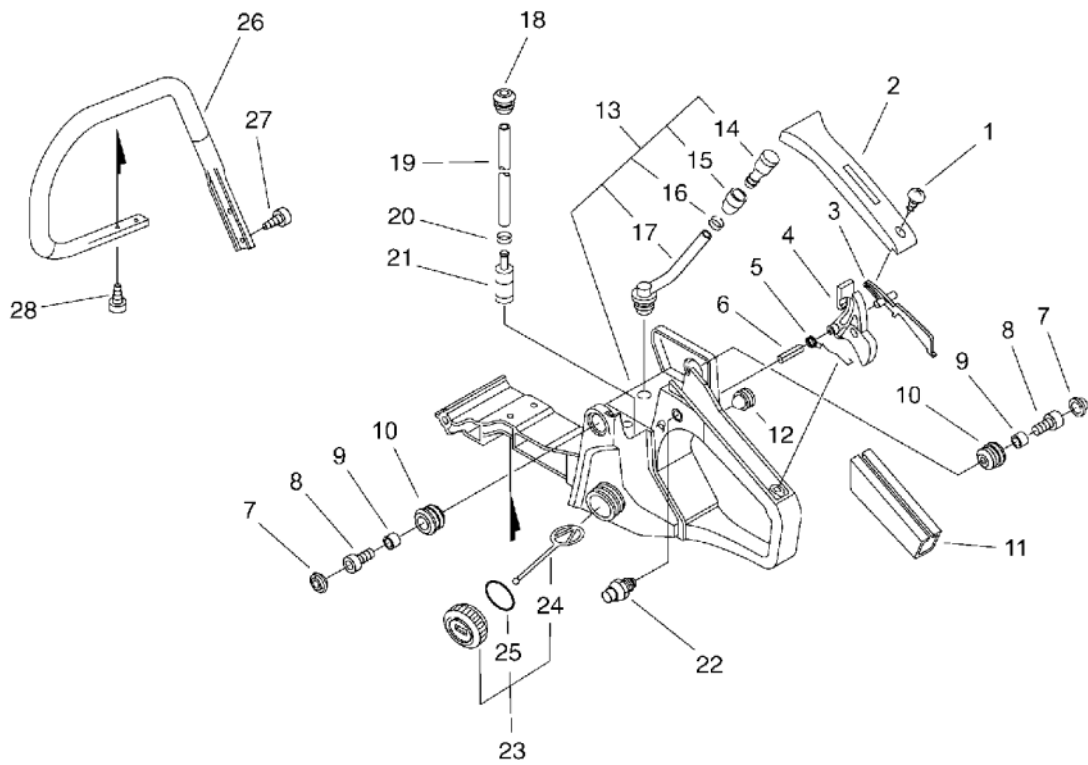
No.4



KEY	LV	PART NUMBER	Q'TY	DESCRIPTION	REMARKS	NOTE1	NOTE2
1		900253-04014	1	SCREW 4*14	4*14		
2		351155-35430	1	COVER, HANDLE (BL)			
3		178090-37930	1	LOCKOUT, T. CONTROL			
4		C450-000000	1	TRIGGER, THROTTLE			
5		178043-35430	1	SPRING, THR.RETURN			
6		900345-40030	1	PIN, SPRING 4*30SUS	4*30SUS		
7		100918-19830	2	CAP, CUSHION			
8		900105-04020	2	BOLT, H.S. 4*20	4*20		
9		100915-15131	2	SUPPORTER, CUSHION			
10		100910-19730	2	CUSHION			
11		351111-19830	1	GRIP, HANDLE			
12		100252-39930	2	CUSHION			
13		351103-39934	1	HANDLE, REAR			
14	+	131300-56430	1	VALVE, CHECK			
15	+	131328-40630	1	COVER, VENT			
16	+	132013-26630	1	CLIP	6.5MM		
17	+	132012-39930	1	PIPE, W/GROMMET	L65 NBR		
18		132115-04920	1	GROMMET			
19		132010-00760	1	PIPE, FUEL	3*5*250L		
20		132013-09820	1	CLIP	6MM		
21		131205-19830	1	STRAINER, FUEL			
22		V162-000040	1	PLUG			
23		131004-37932	1	CAP ASY, FUEL			
24	+	A365-000050	1	CONNECTOR,CAP			
25	+	900720-00022	1	O-RING 22	P-22		
26		351606-39931	1	HANDLE, FRONT			

4. Handle

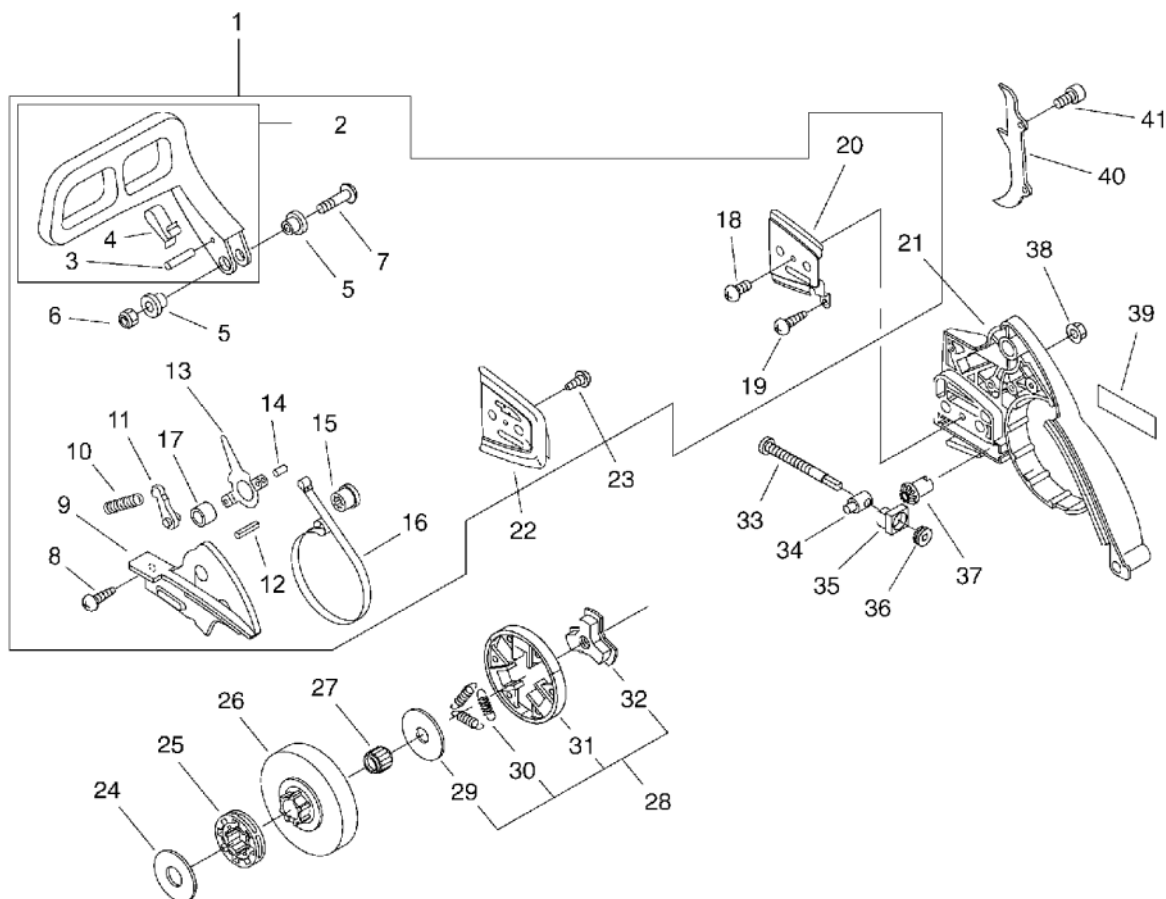
No.4



KEY	LV	PART NUMBER	Q'TY	DESCRIPTION	REMARKS	NOTE1	NOTE2
27		91145-05020	2	BOLT HS TAPPING	5*20		
28		91145-05016	2	BOLT HS TAPPING	5*16		

5. Clutch, Sprocket

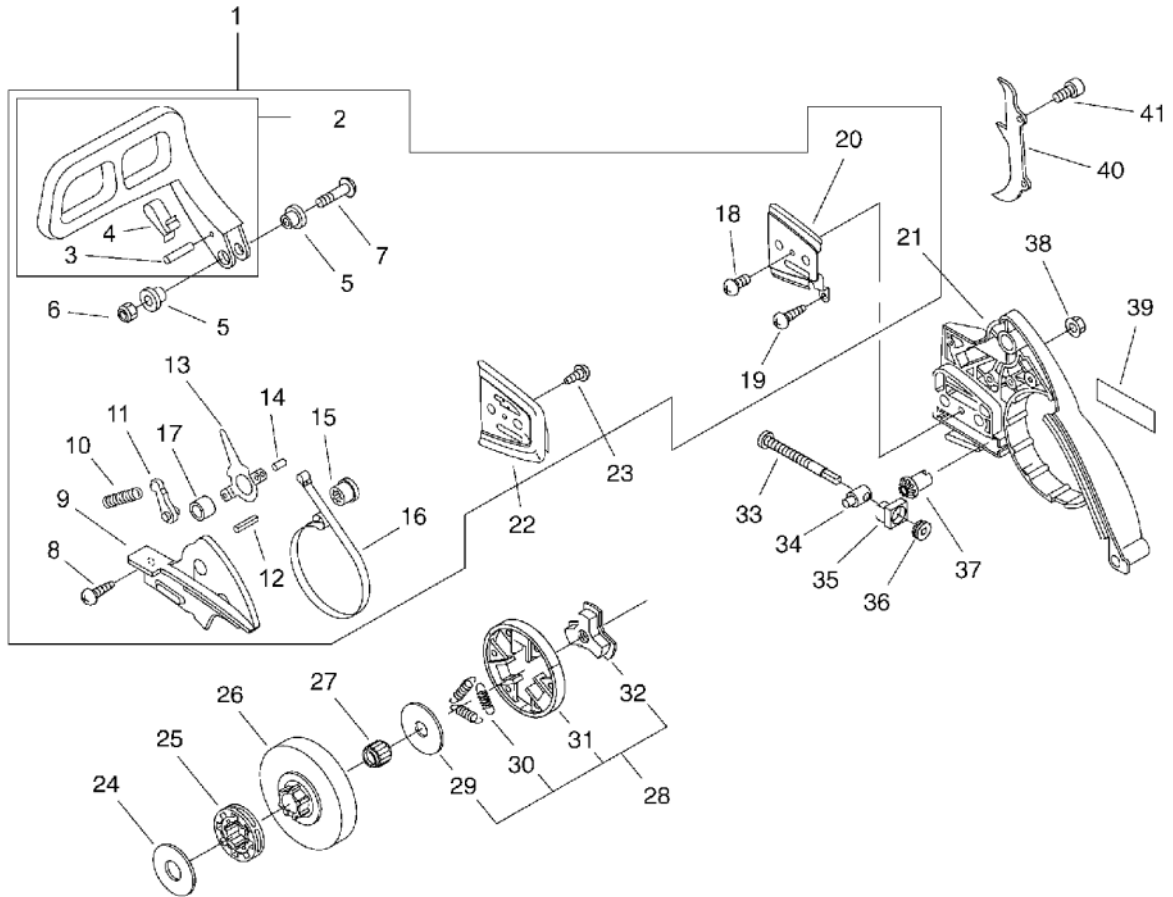
No.5



KEY	LV	PART NUMBER	Q'TY	DESCRIPTION	REMARKS	NOTE1	NOTE2
1		C032-000017	1	BRAKE,ASM CHAIN			
2	+	433105-60030	1	LEVER, BRAKE			
3	++	900330-30240	1	PIN 3*24	3*23.8		
4	++	433114-38331	1	SPRING			
5	+	900562-50005	1	LOCKNUT 5	5		
6	+	433167-39130	2	SPACER			
7	+	91318-05032	1	SCREW	5*32		
8	+	900253-04010	2	SCREW 4*10	4*10		
9	+	433310-38330	1	COVER, BRAKE			
10	+	433122-35430	1	SPRING, BRAKE			
11	+	433209-35430	1	STOPPER, BRAKE			
12	+	433115-38330	1	WASHER 5.2*12*14	5.2*12*14		
13	+	433208-35431	1	LEVER, BRAKE			
14	+	900330-40088	1	ROLLER 4*8.8	4*8.8		
15	+	433142-35430	1	ADJUSTER, BRAKE			
16	+	900342-25012	1	PIN, SPRING 2.5*12	2.5*12		
17	+	C328-000060	1	BAND, BRAKE			
18	+	900220-03006	1	SCREW 3*6	3*6		
19	+	900253-04008	1	SCREW 4*8	4*8		
20	+	C305-000011	1	PLATE, SPROCKET GUARD			
21	+	433005-60935	1	GUARD, SPROCKET			
22		433012-39930	1	PLATE, GUIDE			
23		900220-04006	1	SCREW 4*6	4*6		
24		175019-38330	1	PLATE, CLUTCH			
25		175114-12530	1	SPROCKET, RIM .325			
26		175105-35430	1	DRUM, CLUTCH			

5. Clutch, Sprocket

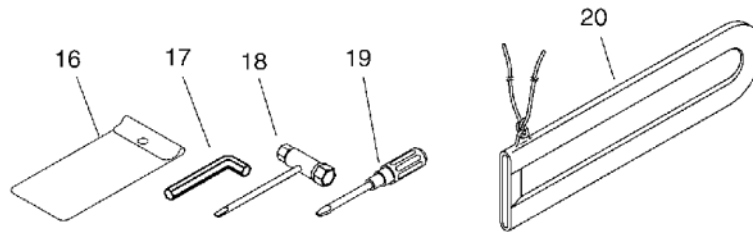
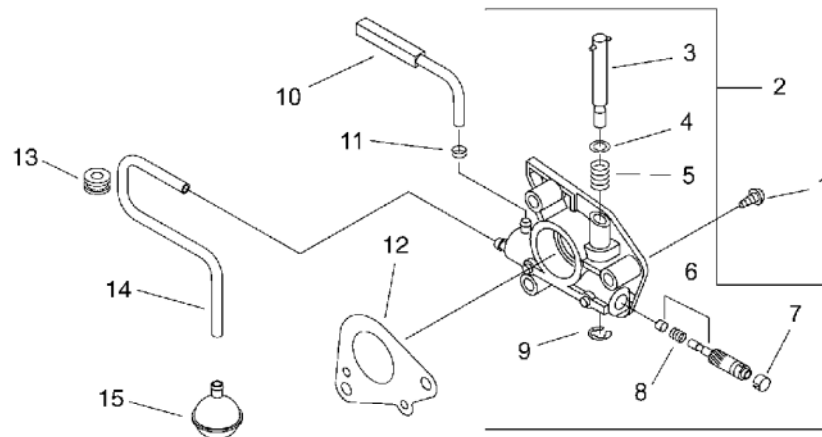
No.5



KEY	LV	PART NUMBER	Q'TY	DESCRIPTION	REMARKS	NOTE1	NOTE2
27		175012-14630	1	BEARING, NEEDLE			
28		P021-007060	1	CLUTCH ASY W/PLATE			
29	+	175019-39430	1	PLATE, CLUTCH			
30	+	V451-000500	3	SPRING, TENSION			
31	+	P021-007050	1	CLUTCH SHOE SET			
32	+	A552-000060	1	HUB, CLUTCH			
33		V203-000041	1	BOLT, 5			
34		C309-000030	1	TENSIONER, CHAIN			
35		V355-000270	1	COLLAR, 8			
36		V651-000011	1	GEAR, BEVEL			
37		V651-000001	1	GEAR, BEVEL			
38		433019-12330	2	NUT, FLANGE 8	M-8		
39		X502-000020	1	LABEL, ECHO			
40		880210-30131	1	BUMPER, SPIKED			
41		900105-05012	2	BOLT, H.S. 5*12	5*12		

6. Auto-Oiler, Tools

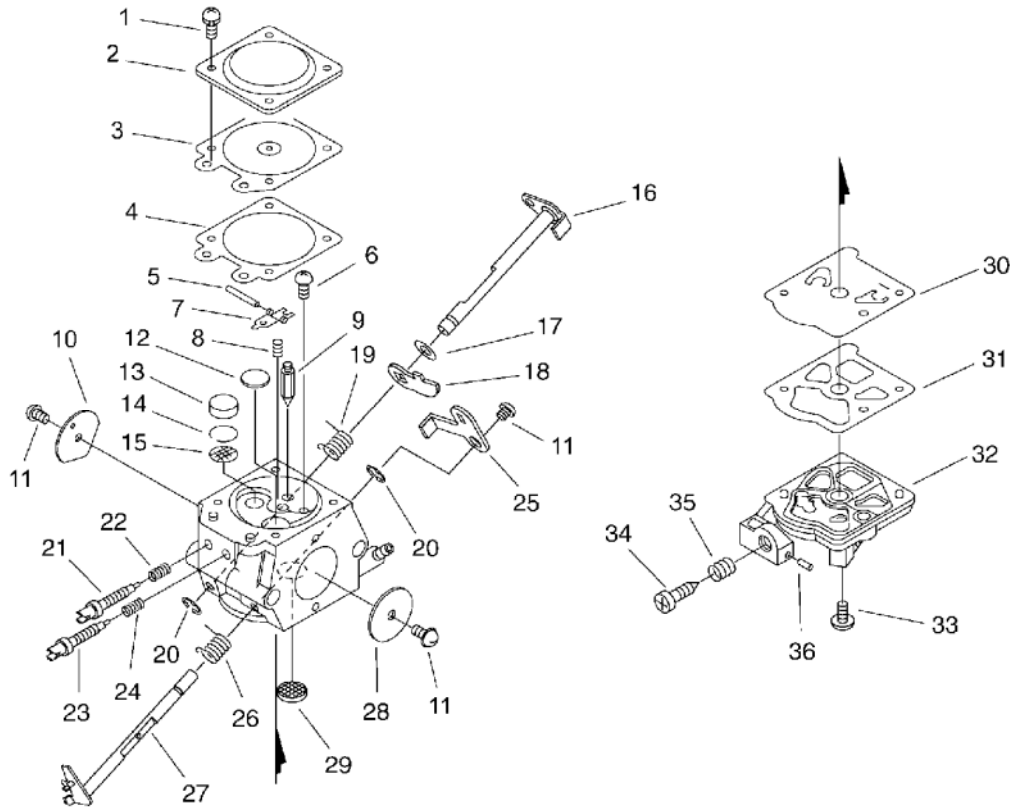
No.6



KEY	LV	PART NUMBER	Q'TY	DESCRIPTION	REMARKS	NOTE1	NOTE2
1		900223-04016	2	SCREW	4*16		
2		437002-38330	1	AUTO-OILER ASSY			
3	+	437016-38330	1	NEEDLE, ADJUST			
4	+	437029-37330	1	WASHER			
5	+	437015-37330	1	SPRING			
6	+	437024-37330	1	PLUNGER			
7	+	437062-38330	1	CAP, OIL PUMP			
8	+	437019-38330	1	SPRING			
9	+	123127-15030	1	RING			
10		437210-39931	1	PIPE			
11		132013-26630	1	CLIP	6.5MM		
12		175310-38330	1	PLATE, SEAL			
13		132115-12330	1	GROMMET			
14		437210-35430	1	PIPE			
15		436205-14730	1	STRAINER, OIL			
16		898510-39130	1	BAG, TOOL			
17		895610-00130	1	L-WRENCH (4MM)			
18		895410-02830	1	WRENCH, W/S. DRIVER			
19		895812-03930	1	DRIVER, SCREW 50			
20		898513-38330	1	SCABBARD, GUIDE BAR			

7. Carburetor

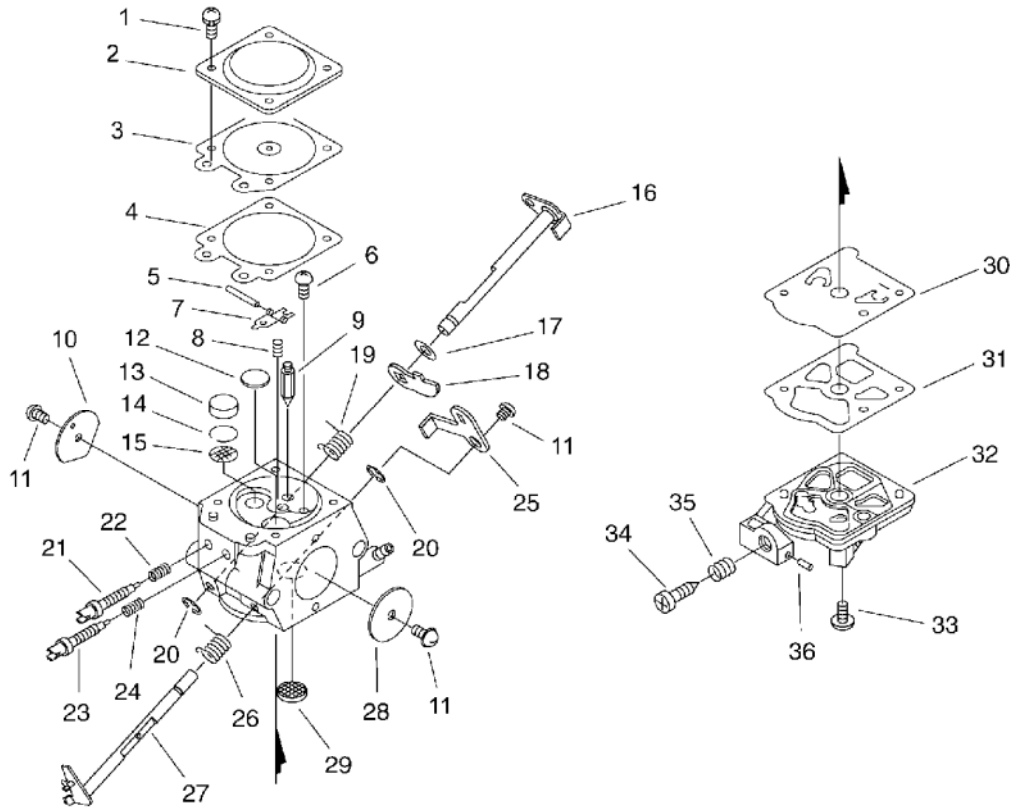
No.7



KEY	LV	PART NUMBER	Q'TY	DESCRIPTION	REMARKS	NOTE1	NOTE2
		A021-000080	1	CARBURETOR,DIAPHRAGM	WT-567		
1	+	123130-02960	4	SCREW			
2	+	123142-03930	1	COVER, M. DIAPHRAGM			
3	+	123141-03930	1	DIAPHRAGM, METERING			
4	+	123140-03930	1	GASKET, M. DIAPHRAGM			
5	+	123138-03930	1	PIN, METERING LEVER			
6	+	123139-03930	1	SCREW, M. LEVER PIN			
7	+	123123-38330	1	LEVER, METERING			
8	+	123122-39330	1	SPRING, METER. LEVER			
9	+	123137-19830	1	VALVE, INLET NEEDLE			
10	+	123132-37330	1	VALVE, CHOKE			
11	+	123114-38830	3	SCREW			
12	+	123146-10631	1	PLUG, WELCH			
13	+	123146-17330	1	PLUG, CUP			
14	+	123169-10630	1	RING, RETAINING			
15	+	123168-10631	1	SCREEN			
16	+	P003-000150	1	CHOKE, SHAFT			
17	+	123149-26030	1	WASHER			
18	+	P003-000160	1	LEVER-FAST IDLE			
19	+	P003-000140	1	SPRING			
20	+	123127-15030	2	RING			
21	+	123120-38330	1	NEEDLE, HIGH SPEED			
22	+	123119-22130	1	SPRING, NEEDLE			
23	+	123118-38330	1	NEEDLE, IDLE			
24	+	123121-22130	1	SPRING, NEEDLE			
25	+	P003-000130	1	THROTTLE, LEVER			

7. Carburetor

No.7



KEY	LV	PART NUMBER	Q'TY	DESCRIPTION	REMARKS	NOTE1	NOTE2
26	+	123113-37530	1	SPRING, THROTTLE RTN			
27	+	P003-000120	1	SHAFT, THROTTLE			
28	+	123116-10530	1	VALVE, THROTTLE			
29	+	123126-10631	1	SCREEN, INLET			
30	+	123112-15030	1	DIAPHRAGM, FUEL PUMP			
31	+	123125-15030	1	GASKET, FUEL PUMP			
32	+	123124-38330	1	COVER, FUEL PUMP			
33	+	123110-03930	1	SCREW, PUMP COVER			
34	+	123134-04260	1	SCREW, IDLE ADJUST			
35	+	123133-04260	1	SPRING, IDLE ADJUST			
36	+	123178-15030	1	PLUG, FRICTION			

Index

Patrs Number	Key No.	Patrs Number	Key No.	Patrs Number	Key No.
100011-37330	1 - 11	129010-33330	2 - 8	177247-04630	3 - 3
100012-35430	1 - 14	129023-39930	2 - 7	178043-35430	4 - 5
100015-03931	1 - 13	130007-39931	2 - 2	178090-37930	4 - 3
100142-39130	1 - 15	130010-38330	2 - 4	178810-14534	2 - 18
100252-39930	4 - 12	130016-39930	1 - 3	351103-39934	4 - 13
100910-19730	4 - 10	130020-33330	2 - 3	351111-19830	4 - 11
100915-15131	4 - 9	130110-54430	2 - 6	351134-39930	2 - 22
100915-33930	1 - 33	130300-39730	2 - 11	351155-35430	4 - 2
100917-14530	1 - 34	130301-39932	2 - 12	351606-39931	4 - 26
100918-14330	1 - 32	130338-32430	1 - 23	433000-19831	1 - 30
100918-19830	4 - 7	130366-39930	2 - 1	433005-60935	5 - 21
101100-37530	1 - 6	130405-38331	2 - 10	433011-19830	1 - 36
101113-37530	1 - 9	130510-39932	1 - 2	433012-39930	5 - 22
101119-37530	1 - 8	131004-37932	4 - 23	433019-12330	5 - 38
101535-39932	3 - 9	131205-19830	4 - 21	433105-60030	5 - 2
101578-39930	1 - 28	131300-56430	4 - 14	433114-38331	5 - 4
104005-39932	1 - 35	131328-40630	4 - 15	433115-38330	5 - 12
123110-03930	7 - 33	132010-00760	4 - 19	433122-35430	5 - 10
123112-15030	7 - 30	132012-39930	4 - 17	433142-35430	5 - 15
123113-37530	7 - 26	132013-09820	2 - 5	433167-39130	5 - 6
123114-38830	7 - 11	132013-09820	4 - 20	433208-35431	5 - 13
123116-10530	7 - 28	132013-26630	4 - 16	433209-35430	5 - 11
123118-38330	7 - 23	132013-26630	6 - 11	433310-38330	5 - 9
123119-22130	7 - 22	132115-04920	4 - 18	436001-39232	1 - 43
123120-38330	7 - 21	132115-12330	6 - 13	436010-39930	1 - 40
123121-22130	7 - 24	145510-35431	2 - 28	436019-39930	1 - 39
123122-39330	7 - 8	145711-60631	2 - 25	436114-13930	1 - 42
123123-38330	7 - 7	151112-04630	3 - 25	436205-14730	6 - 15
123124-38330	7 - 32	156630-39930	3 - 30	437002-38330	6 - 2
123125-15030	7 - 31	159010-19830	3 - 22	437015-37330	6 - 5
123126-10631	7 - 29	159025-37530	1 - 7	437016-38330	6 - 3
123127-15030	6 - 9	159118-39930	3 - 28	437019-38330	6 - 8
123127-15030	7 - 20	163400-35430	2 - 19	437024-37330	6 - 6
123130-02960	7 - 1	163413-59530	2 - 23	437029-37330	6 - 4
123132-37330	7 - 10	163810-59534	2 - 16	437062-38330	6 - 7
123133-04260	7 - 35	175012-14630	5 - 27	437063-38330	1 - 17
123134-04260	7 - 34	175019-38330	5 - 24	437210-35430	6 - 14
123137-19830	7 - 9	175019-39430	5 - 29	437210-39931	6 - 10
123138-03930	7 - 5	175105-35430	5 - 26	880210-30131	5 - 40
123139-03930	7 - 6	175114-12530	5 - 25	890118-49330	3 - 21
123140-03930	7 - 4	175310-38330	6 - 12	890157-39130	2 - 20
123141-03930	7 - 3	177214-02830	3 - 12	890345-39230	1 - 25
123142-03930	7 - 2	177215-35430	3 - 14	895410-02830	6 - 18
123146-10631	7 - 12	177218-35430	3 - 4	895610-00130	6 - 17
123146-17330	7 - 13	177220-35430	3 - 16	895812-03930	6 - 19
123149-26030	7 - 17	177221-35430	3 - 15	898510-39130	6 - 16
123168-10631	7 - 15	177226-11130	3 - 13	898513-38330	6 - 20
123169-10630	7 - 14	177227-39131	3 - 19	900105-04006	2 - 24
123178-15030	7 - 36	177234-35430	3 - 2	900105-04016	1 - 41

Index

Patrs Number	Key No.	Patrs Number	Key No.	Patrs Number	Key No.
900105-04016	3 - 29	A427-000012	3 - 24		
900105-04020	4 - 8	A511-000010	3 - 17		
900105-05012	5 - 41	A552-000060	5 - 32		
900105-05016	2 - 14	C032-000017	5 - 1		
900105-05016	2 - 26	C305-000011	5 - 20		
900162-05022	1 - 5	C309-000030	5 - 34		
900162-05030	1 - 46	C328-000060	5 - 17		
900162-05050	2 - 13	C450-000000	4 - 4		
900216-04006	3 - 31	C454-000012	2 - 15		
900220-03006	5 - 18	P003-000120	7 - 27		
900220-04006	5 - 23	P003-000130	7 - 25		
900220-05018	1 - 31	P003-000140	7 - 19		
900223-04016	6 - 1	P003-000150	7 - 16		
900238-04016	3 - 20	P003-000160	7 - 18		
900238-05012	1 - 1	P021-003570	1 - 10		
900238-05012	3 - 11	P021-003661	3 - 10		
900238-05025	1 - 26	P021-007050	5 - 31		
900253-04008	5 - 19	P021-007060	5 - 28		
900253-04010	5 - 8	P021-007151	1 - 22		
900253-04014	4 - 1	P021-009490	1 - 16		
900296-03014	3 - 18	P021-009860	1 - 4		
900330-30240	5 - 3	P021-010090	1 - 35		
900330-40088	5 - 14	V135-000010	1 - 24		
900342-25012	5 - 16	V150-001650	1 - 38		
900345-40030	4 - 6	V162-000040	4 - 22		
900345-50010	1 - 37	V203-000041	5 - 33		
900500-00008	3 - 8	V203-000090	3 - 6		
900562-50005	5 - 5	V203-000160	1 - 46		
900600-00005	2 - 21	V355-000270	5 - 35		
900603-00005	3 - 5	V420-000620	3 - 27		
900605-00008	3 - 7	V451-000500	5 - 30		
900720-00022	4 - 25	V505-000010	1 - 18		
900721-00025	1 - 45	V607-000000	1 - 12		
900888-36201	1 - 19	V651-000001	5 - 37		
91145-05016	4 - 28	V651-000011	5 - 36		
91145-05020	4 - 27	X502-000020	5 - 39		
91318-05032	5 - 7	X503-007050	1 - 21		
A021-000080	2 - 9				
A021-000080	7 -				
A160-000004	1 - 27				
A209-000000	1 - 29				
A235-000000	1 - 20				
A241-000100	2 - 17				
A300-000290	2 - 27				
A365-000050	1 - 44				
A365-000050	4 - 24				
A409-000120	3 - 1				
A411-000090	3 - 26				
A426-000010	3 - 23				

YAMABIKO CORPORATION

7-2 SUEHIROCHO 1-CHOME, OHME, TOKYO 198-8760, JAPAN
PHONE: 81-428-32-6118. FAX: 81-428-32-6145.



95SP
No.