

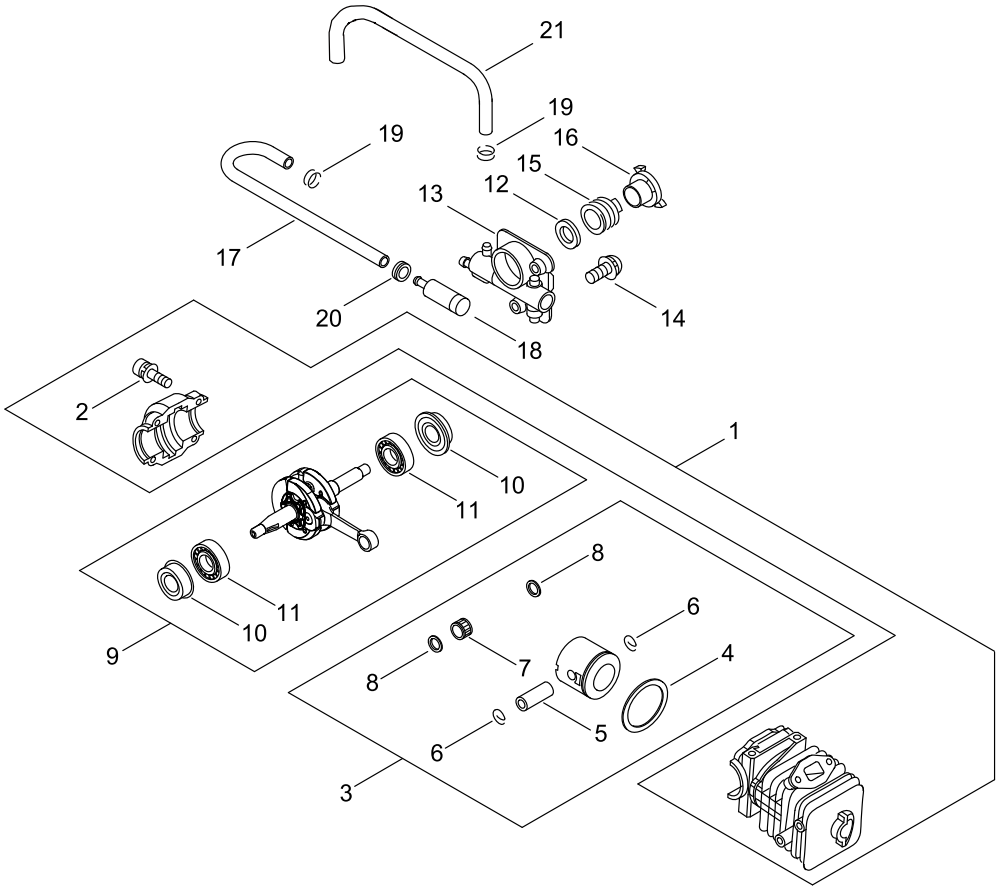
CS-362WES

Published:06/25/2019

TABLE OF CONTENTS

CYLINDER, PISTON, CRANKSHAFT.....	1
ENGINE COVER.....	3
MAGNETO.....	5
AIR CLEANER, CARBURETOR.....	7
CARBURETOR.....	9
MUFFLER.....	11
RECOIL STARTER.....	13
HANDLE.....	15
CHAIN BRAKE.....	17
ACCESSORIES.....	19
OILER.....	21
GUIDE BAR, CHAIN.....	23

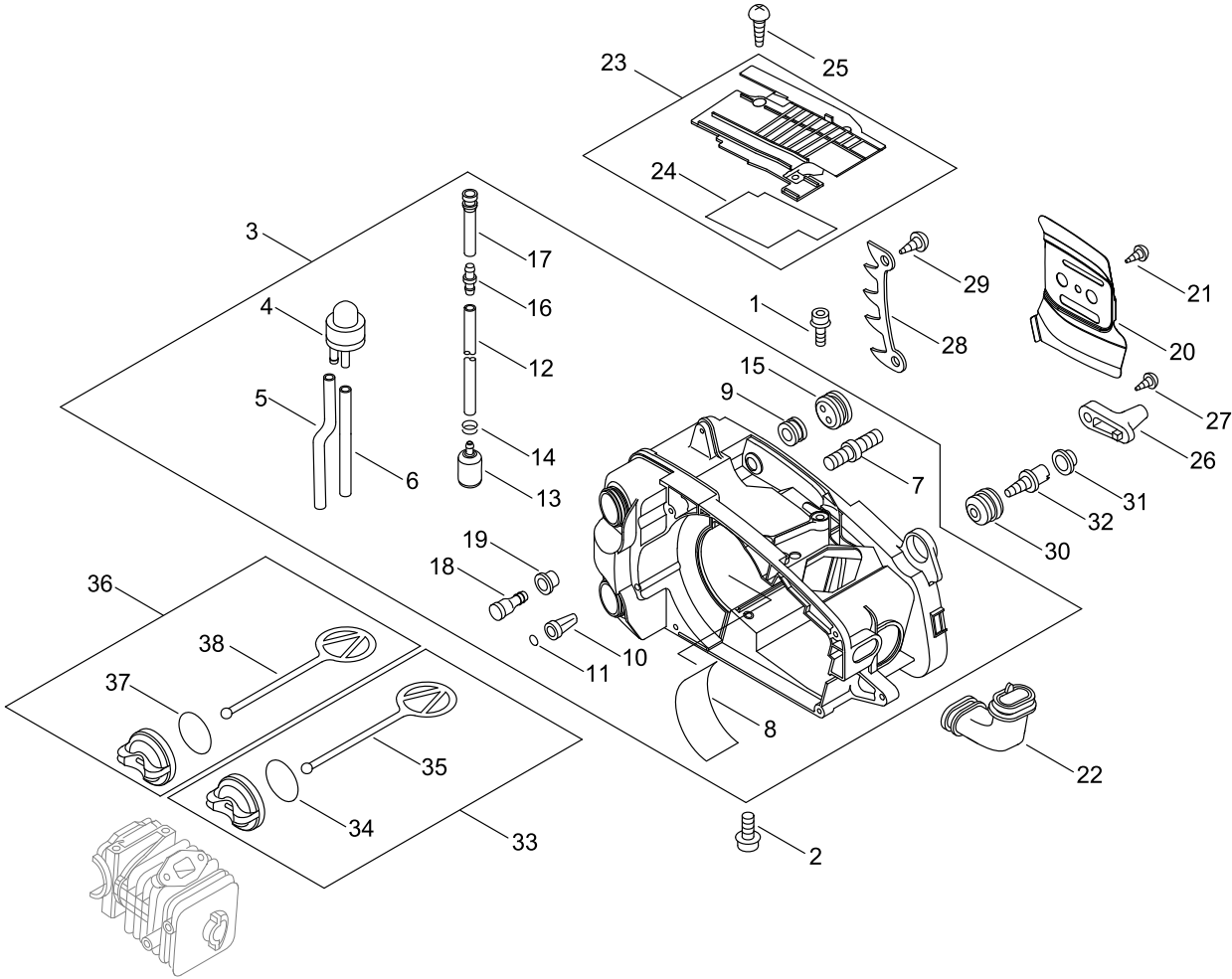
CYLINDER, PISTON, CRANKSHAFT



CYLINDER, PISTON, CRANKSHAFT

KEY NO	LV(+)	Part No	Description	Qty	Standard	Comment
1		P100-006900	CRANKCASE SET	1		
2	+	900162-05025	BOLT HSH	4	5*25	
3		P021-045440	PISTON KIT	1		
4	+	A101-000670	RING, PISTON	1	39*1.2*1.7	
5	+	100013-15330	PIN, PISTON	1	5.5*8*29	
6	+	100015-04630	CIRCLIP, PISTON PIN	2		
7	+	V553-000130	BEARING, NEEDLE 8	1		
8	+	100014-60930	SPACER, PISTON PIN	2		
9		P021-039160	CRANKSHAFT ASY	1		
10	+	V505-000011	SEAL, OIL 12	2	12*32*5.5	
11	+	94035-36201	BEARING, BALL	2	6201	
12		V308-000030	WASHER, CIRCULAR 11	1	10.5*17.4*1.8	
13		C022-000020	AUTO-OILER ASSEMBLY	1	OP-7	
14		900238-04012	SCREW	2	4*12	
15		V652-000030	GEAR, WORM	1		
16		V356-000290	COLLAR, 10	1		
17		V471-000741	PIPE	1	3*6*160	
18		P100-001900	STRAINER, OIL	1		
19		V490-001230	CLIP	2		
20		132115-01462	GROMMET	1		
21		V471-000761	PIPE	1	3*6*90	

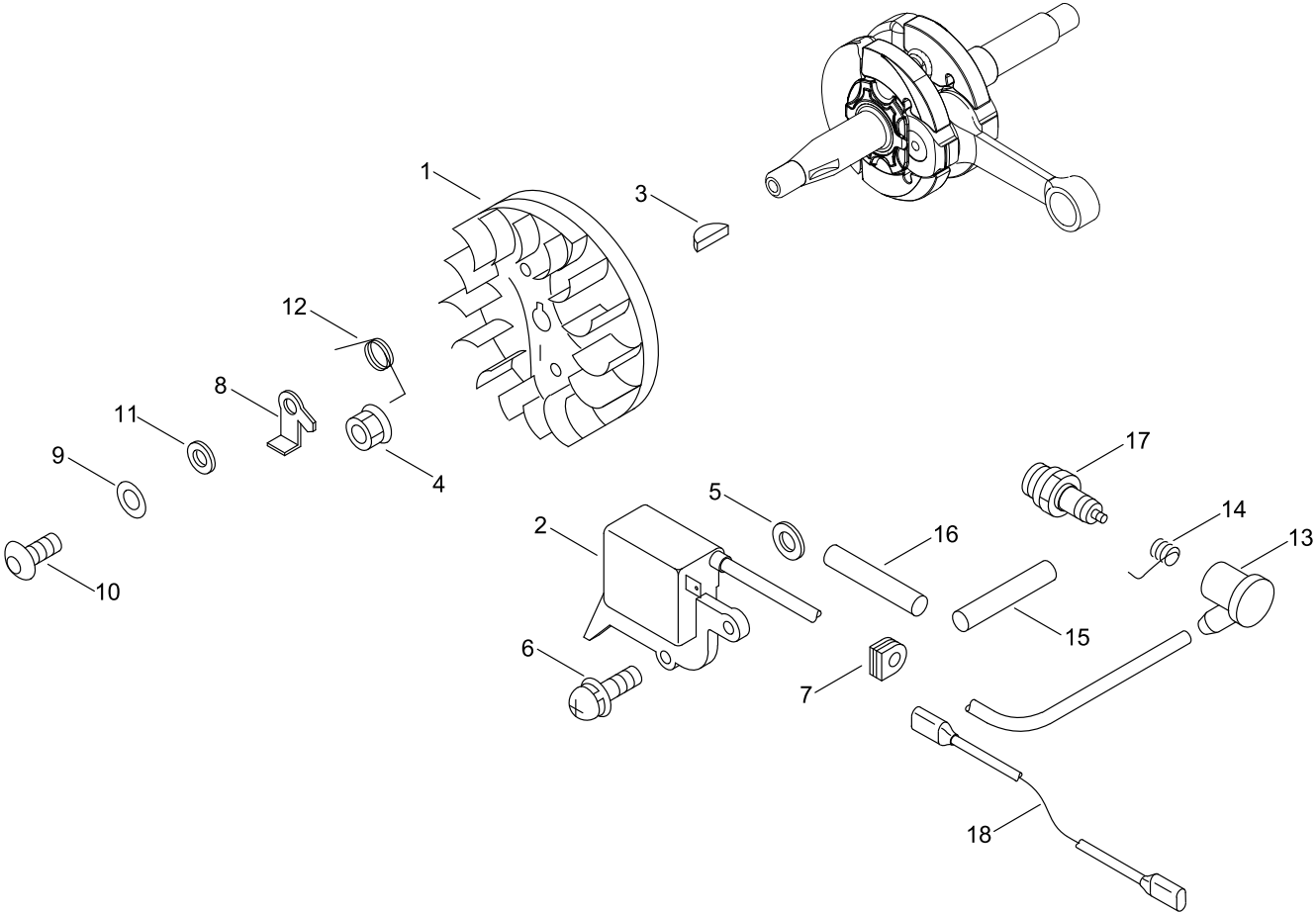
ENGINE COVER



ENGINE COVER

KEY NO	LV(+)	Part No	Description	Qty	Standard	Comment
1		900106-05020	BOLT HSH, FLANGE	2	5*20	
2		900106-05030	BOLT HSH, FLANGE	2	5*30	
3		P100-006960	COVER ENGINE ASY	1		
4	+	123181-39130	PUMP, PRIMER	1		
5	+	V471-001441	PIPE	1	2.4*5*295	
6	+	V471-001291	PIPE	1	2.4*5*75	
7	+	V224-000031	BOLT,STUD 6	2		
8	+	V420-001110	CUSHION	1		
9	+	163911-30130	PLUG	1		
10	+	436114-13930	VALVE, CHECK	1		
11	+	900724-00004	O-RING	1	S-4	
12	+	V471-000751	PIPE	1	3*5*260	
13	+	A369-000420	STRAINER, FUEL	1	ES-16499	
14	+	V490-001240	CLIP	1		
15	+	132115-44331	GROMMET, FUEL	1		
16	+	V186-000510	JOINT,PIPE	1		
17	+	V470-000322	PIPE	1	10*6*L32	
18	+	131300-56431	VENT ASSEMBLY, FUEL	1		
19	+	V137-000001	GROMMET,FUEL	1		
20		C305-000080	PLATE,SPROCKET GUARD	1	T0.3	
21		900253-04010	SCREW, TAPPING	1	4*10	
22		A239-000030	PIPE,INTAKE	1	L TYPE	
23		P021-008741	DUSTCOVER SET	1		
24	+	V341-000040	WASHER,SQUARE	1		
25		900253-04012	SCREW, TAPPING	2	4*12	
26		433026-35430	CATCHER, CHAIN	1		
27		900253-05020	SCREW, TAPPING	1	5*20	
28		C304-000000	SPIKE	1		
29		900253-05020	SCREW, TAPPING	1	5*20	
30		100910-18830	CUSHION	1		
31		100918-15130	CAP	1		
32		V202-000020	BOLT,4	1		
33		P021-005581	OIL CAP ASY	1		
34	+	900720-00018	O-RING	1	P-18	
35	+	A365-000050	CONNECTOR,CAP	1		
36		P021-005591	CAP ASY	1		
37	+	900720-00018	O-RING	1	P-18	
38	+	A365-000050	CONNECTOR,CAP	1		

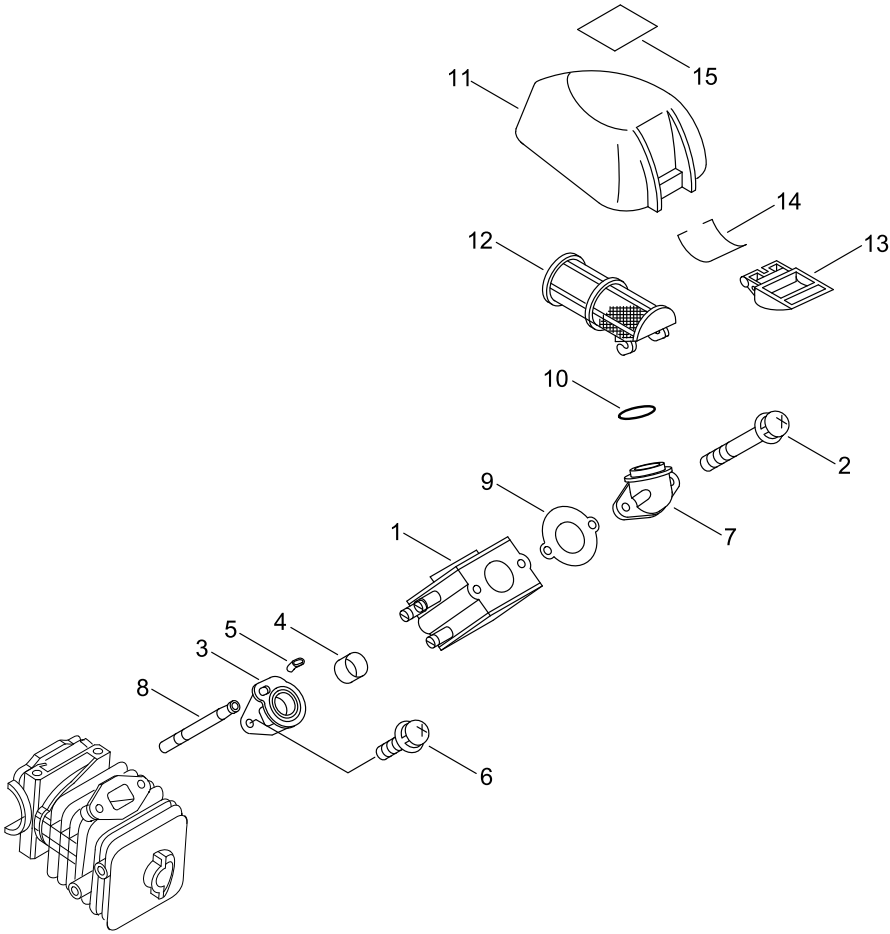
MAGNETO



MAGNETO

KEY NO	LV(+)	Part No	Description	Qty	Standard	Comment
1		A409-001180	ROTOR, MAGNETO	1		
2		P021-048611	COIL, IGNITION	1		
3		100142-12330	KEY, WOODRUFF	1		
4		900515-00008	NUT, FLANGE	1	8	
5		150117-16430	SPACER	2		
6		900238-05020	SCREW	2	5*20	
7		156110-04920	BUSHING	1		
8		A514-000020	PAWL	2		
9		900603-00005	WASHER	2	5	
10		V203-000080	BOLT,5	2	5*14	
11		177247-04630	SPACER, RATCHET	2	5.2*8*2.1	
12		177234-35430	SPRING, RETURN	2		
13		A427-000000	CAP,SPARK PLUG	1		
14		A426-000000	TERMINAL,SPARKPLUG	1		
15		V475-002390	TUBE	1		
16		V475-007430	TUBE	1		
17		A425-000000	SPARKPLUG	1	BPMR8Y	
18		V485-000550	LEAD	1	AMP-187 AMP-250	

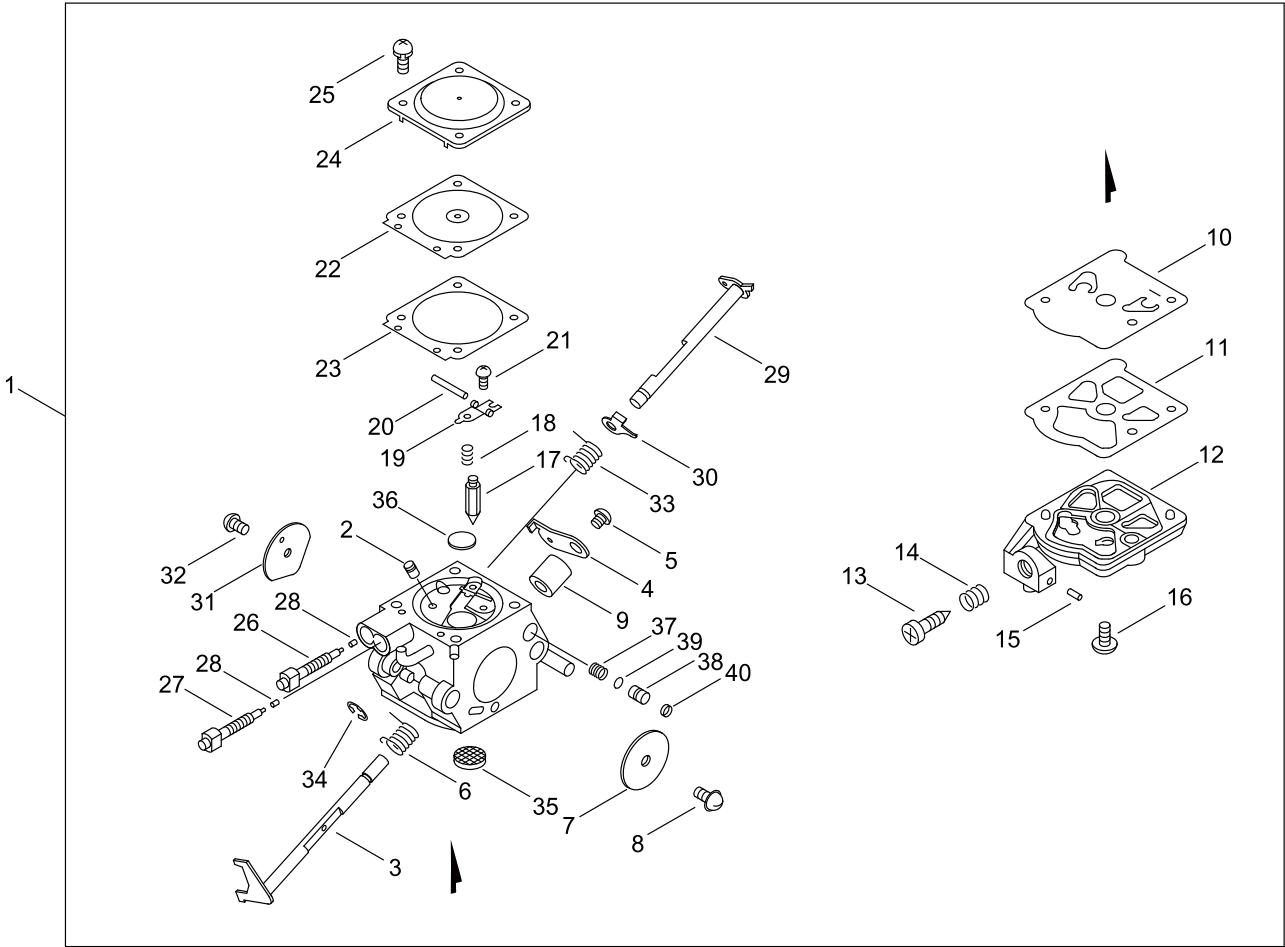
AIR CLEANER, CARBURETOR



AIR CLEANER, CARBURETOR

KEY NO	LV(+)	Part No	Description	Qty	Standard	Comment
1		A021-004400	CARBURETOR, DIAPHRAGM	1	C1Q-2690	
2		900238-05050	SCREW	2	5*50	
3		A202-000033	BELLOWS,INTAKE	1		
4		V359-000060	COLLAR,16	1		
5		V351-000000	COLLAR,3	1	3.2*6.5	
6		900238-05012	SCREW	2	5*12	
7		A204-000060	ELBOW,CARBURETOR	1		
8		V470-000482	PIPE	1		
9		V103-001510	GASKET,INTAKE	1		
10		92505-10200	O-RING	1	JASO 1020	
11		A232-000191	LID,CLEANER	1		
12		A226-001700	ELEMENT, AIR FILTER	1		
13		A235-000140	KNOB,CLEANER LID	1		
14		V582-000020	RING,SNAP	1	CSE2700	
15		X503-015200	LABEL,MODEL	1	CS-362WES EU	

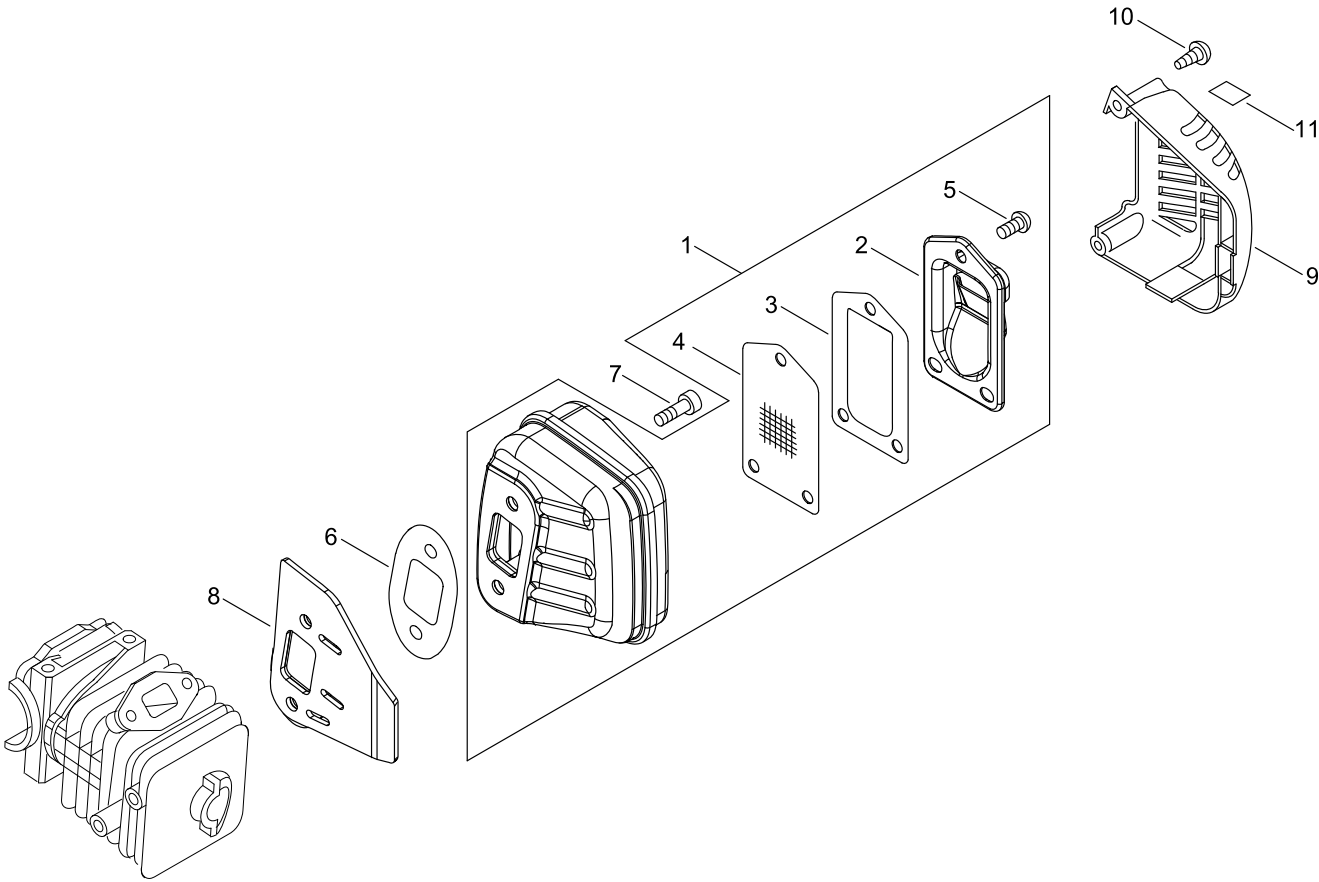
CARBURETOR



CARBURETOR

KEY NO	LV(+)	Part No	Description	Qty	Standard	Comment
1		A021-004400	CARBURETOR, DIAPHRAGM	1	C1Q-2690	
2	+	P005-003590	NOZZLE, CHECK VALVE	1		
3	+	P005-003600	SHAFT ASY, THROTTLE	1		
4	+	P005-003610	LEVER, THROTTLE	1		
5	+	125348-13930	SCREW	1		
6	+	P005-000790	SPRING, THRT. RETURN	1		
7	+	P005-003620	VALVE, THROTTLE	1		
8	+	125314-13930	SCREW	1	3*4	
9	+	P005-003630	COLLAR	1		
10	+	P005-001110	DIAPHRAGM, PUMP	1		
11	+	125325-08360	GASKET, PUMP	1		
12	+	P005-003180	COVER, PUMP	1		
13	+	125344-08560	SCREW	1		
14	+	125333-33330	SPRING, IDLE ADJUST	1		
15	+	125378-13930	PIECE, FRICTION	1		
16	+	125310-13930	SCREW	1		
17	+	125337-08260	VALVE, INLET NEEDLE	1		
18	+	125322-11520	SPRING, COIL	1		
19	+	125323-08260	ARM, VALVE	1		
20	+	125338-13930	PIN, METERING ARM	1		
21	+	125339-13930	SCREW	1		
22	+	P005-003190	DIAPHRAGM ,METERING	1		
23	+	P005-003200	GASKET, METERING	1		
24	+	P005-003210	COVER, METERING	1		
25	+	P005-003220	SCREW	4		
26	+	P005-002370	NEEDLE, HIGH SPEED	1		
27	+	P005-002380	NEEDLE, IDLE	1		
28	+	125363-12820	RETAINER	2		
29	+	P005-002390	SHAFT, CHOKE	1		
30	+	P005-003050	LEVER, CHOKE	1		
31	+	P005-003640	VALVE, CHOKE	1		
32	+	125314-51230	SCREW	1	3*4.5	
33	+	P005-003650	SPRING, CHOKE RETURN	1		
34	+	125327-15130	CLIP	1		
35	+	P005-000860	SCREEN, FUEL INLET	1		
36	+	P005-002400	PLUG, WELCH	1		
37	+	P005-003660	SPRING	1		
38	+	P005-003670	PLUNGER	1		
39	+	P005-003680	O-RING	1		
40	+	P005-003690	PLUG	1		

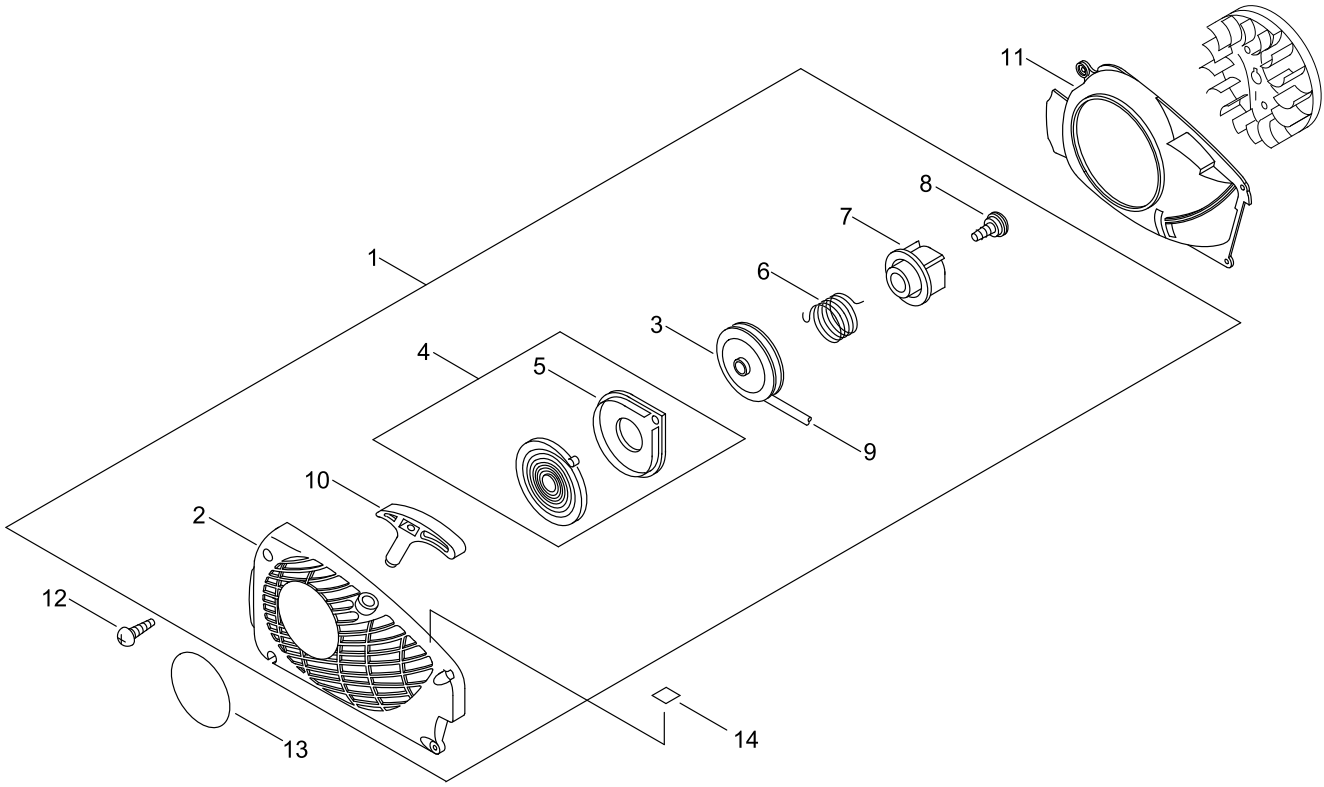
MUFFLER



MUFFLER

KEY NO	LV(+)	Part No	Description	Qty	Standard	Comment
1		P021-045451	MUFFLER ASY	1		
2	+	A313-001980	GUIDE, EXHAUST	1	ID #2140	
3	+	V104-001980	GASKET,EXHAUST	1		
4	+	A310-000431	SCREEN, ARRESTOR	1		
5	+	900242-04010	SCREW	3	4*10	
6		V104-001960	GASKET,EXHAUST	1		
7		900105-05018	BOLT HSH	2	5*18	
8		A312-000070	PLATE, EXHUST	1		
9		A320-001130	COVER,MUFFLER	1		
10		900253-04016	SCREW, TAPPING	2	4*16	
11		X505-007710	LABEL,CAUTION	1		

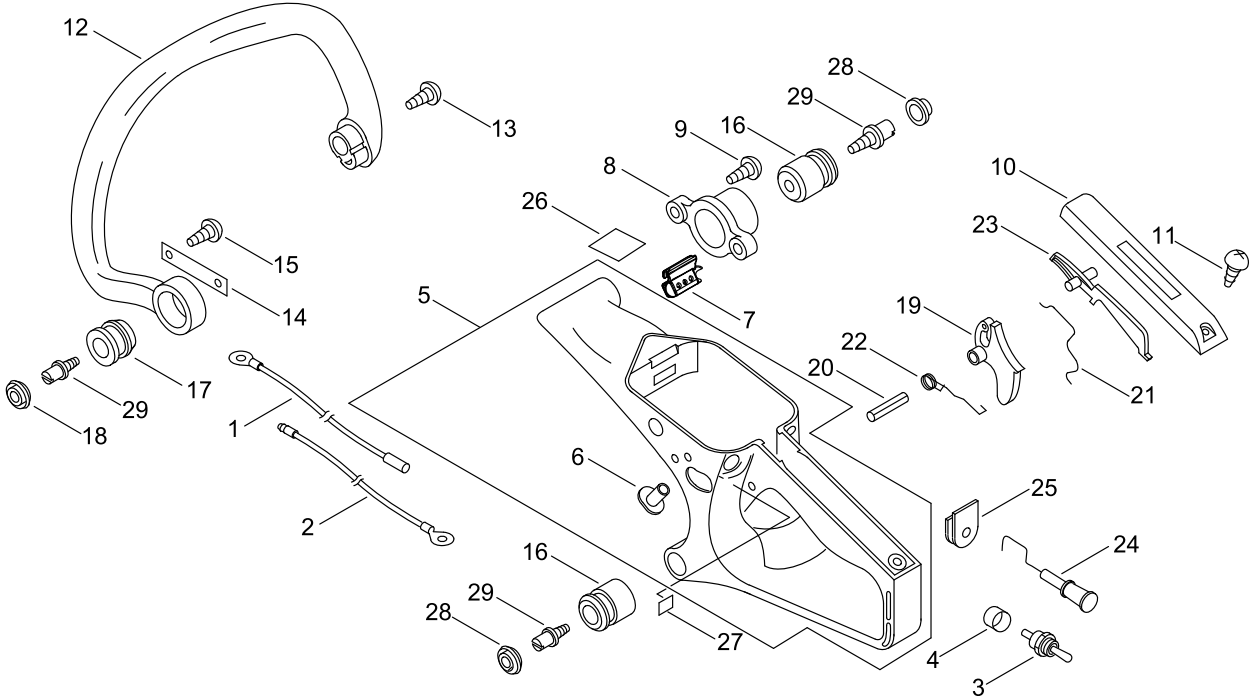
RECOIL STARTER



RECOIL STARTER

KEY NO	LV(+)	Part No	Description	Qty	Standard	Comment
1		A051-003010	STARTER,RECOIL ASY	1		
2	+	P022-039160	CASE,STARTER	1		
3	+	A506-000460	REEL,ROPE	1		
4	+	P022-001330	SPRING KIT, REWIND	1		
5	++	P022-033280	SPRING CASE	1		
6	+	V452-001320	SPRING,TORSION	1		
7	+	A507-000110	CATCHER,PAWL	1		
8	+	177236-61830	SCREW	1		
9	+	P022-008440	ROPE, STARTER	1	3.5*900	
10	+	P022-005891	GRIP, STARTER	1		
11		A172-002190	COVER,FAN	1		
12		900256-04016	SCREW, TAPPING	4	4*16	
13		X502-000780	LABEL,ECHO	1		
14		X505-000181	LABEL,CAUTION	1		

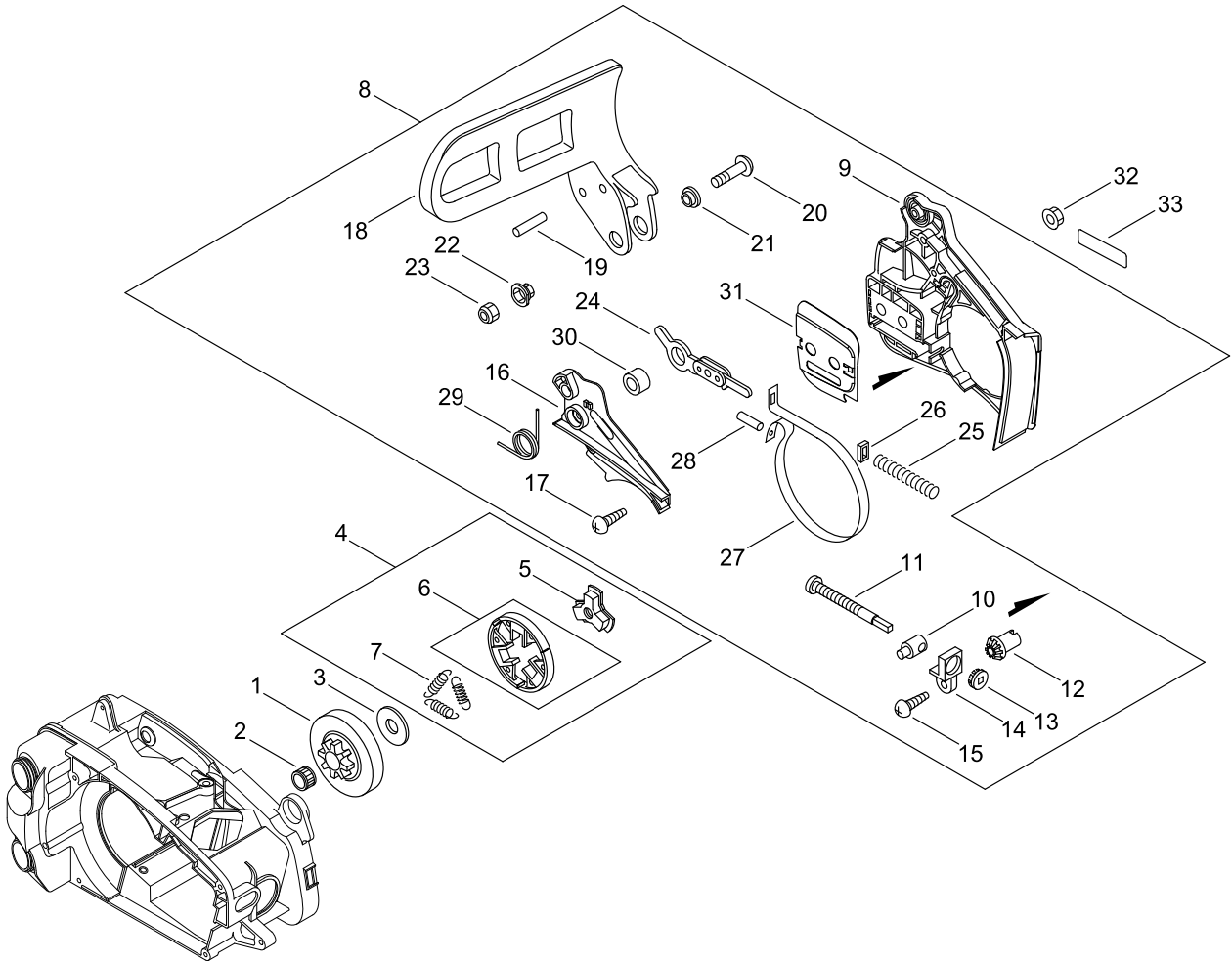
HANDLE



HANDLE

KEY NO	LV(+)	Part No	Description	Qty	Standard	Comment
1		V485-000560	LEAD	1	CB-104 LA-105	
2		V485-000571	LEAD	1		
3		163400-38430	SWITCH, IGNITION	1		
4		A472-000091	CASE,SWITCH	1		
5		C410-000253	HANDLE,REAR	1		
6	+	130020-33330	NUT	2		
7		V142-000020	GROMMET,DUST	1		
8		V424-000000	SLEEVE,CUSHION	1		
9		900253-04016	SCREW, TAPPING	2	4*16	
10		C411-000001	LID,HANDLE	1		
11		900253-04012	SCREW, TAPPING	1	4*12	
12		C400-000321	HANDLE,FRONT	1		
13		900253-05020	SCREW, TAPPING	2	5*20	
14		C617-000200	STOPPER	1		
15		900253-04008	SCREW, TAPPING	1	4*8	
16		V400-000070	CUSHION,4	2		
17		V401-000120	CUSHION,5	1		
18		100918-14330	CAP, CUSHION	1		
19		C450-000141	TRIGGER,THROTTLE	1		
20		900345-40025	PIN, SPRING	1	4*25	
21		C454-000110	ROD, THROTTLE	1		
22		V452-000260	SPRING,TORSION	1		
23		178090-37930	LOCKOUT, T. CONTROL	1		
24		A241-000060	KNOB,CHOKE	1		
25		V130-000010	GROMMET,CHOKE	1		
26		890345-39231	LABEL,CAUTION	1		
27		890157-39131	LABEL, SWITCH	1		
28		100918-15130	CAP	2		
29		V202-000020	BOLT,4	3		

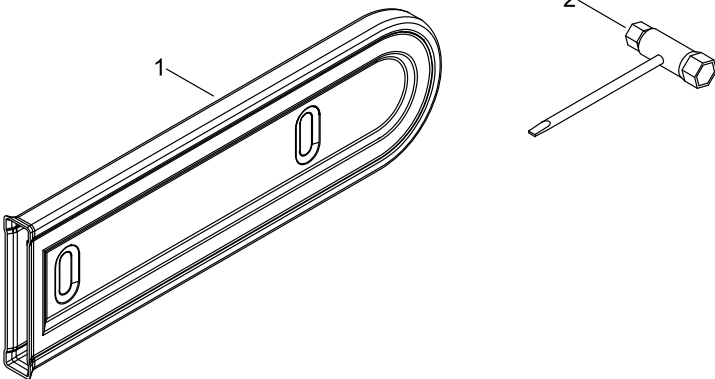
CHAIN BRAKE



CHAIN BRAKE

KEY NO	LV(+)	Part No	Description	Qty	Standard	Comment
1		175005-39133	DRUM, CLUTCH	1	3/8 6T	
2		V555-000170	BEARING, NEEDLE 10	1	8E- KV10*13*12.8	
3		A551-000010	PLATE, CLUTCH	1		
4		A056-000071	CLUTCH	1		
5	+	A552-000020	HUB, CLUTCH	1		
6	+	P021-005811	CLUTCH SHOE SET	1		
7	+	V451-000470	SPRING, TENSION	3		
8		P021-048620	BRAKE, ASM CHAIN	1		
9	+	C300-000242	GUARD, SPROCKET	1		
10	+	C309-000030	TENSIONER, CHAIN	1		
11	+	V203-000041	BOLT, 5	1		
12	+	V651-000001	GEAR, BEVEL	1		
13	+	V651-000011	GEAR, BEVEL	1		
14	+	V355-000140	COLLAR, 8	1		
15	+	900253-04012	SCREW, TAPPING	1	4*12	
16	+	C345-000084	COVER, BRAKE	1		
17	+	900253-04012	SCREW, TAPPING	3	4*12	
18	+	C320-000047	LEVER, BRAKE	1		
19	+	900330-30260	ROLLER	2	3*26	
20	+	91318-05032	SCREW	1	5*32	
21	+	433167-39130	SPACER	1		
22	+	V353-000060	COLLAR, 5	1		
23	+	900562-50005	NUT, LOCK	1	5	
24	+	C334-000070	CONNECTOR, BRAKE	1		
25	+	V450-000070	SPRING, COMPRESSION	1		
26	+	V376-000450	SPACER	1		
27	+	C328-000030	BAND, BRAKE	1		
28	+	93050-30098	ROLLER	1	3*9.8	
29	+	V452-000110	SPRING, TORSION	1		
30	+	433116-35430	SPACER 8	1	8*12*9	
31	+	C305-000091	PLATE, SPROCKET GUARD	1	T0.5	
32		433019-03933	NUT, FLANGE 6	2	6	
33		X502-000340	LABEL, ECHO	1	ECHO(WHITE)	

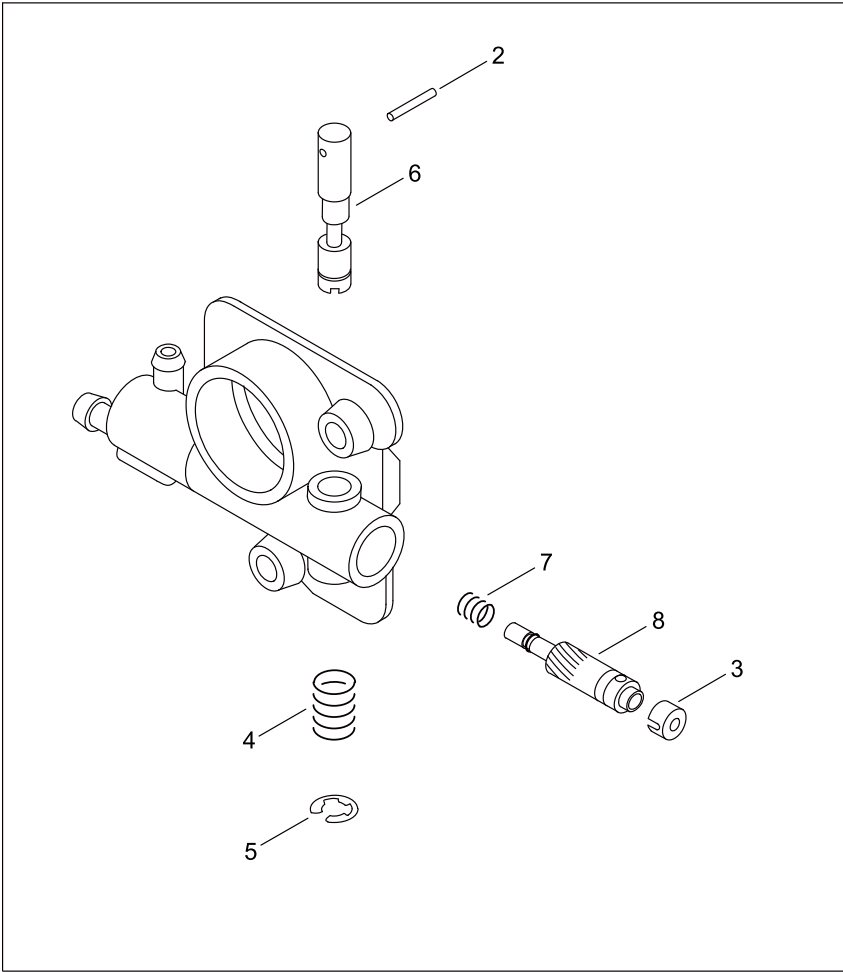
ACCESSORIES



ACCESSORIES

KEY NO	LV(+)	Part No	Description	Qty	Standard	Comment
1		X490-000510	SCABBARD,CHAIN	1	350	
2		895410-03930	WRENCH, W/S. DRIVER	1		



OILER



OILER

KEY NO	LV(+)	Part No	Description	Qty	Standard	Comment
1		C022-000020	AUTO-OILER ASSEMBLY	1	OP-7	
2	+	P003-002180	PIN, SPRING	1		
3	+	437062-38330	CAP, OIL PUMP	1		
4	+	437015-37330	SPRING	1		
5	+	123127-15030	RING	1		
6	+	P003-001370	NEEDLE-ADJ	1		
7	+	437019-38330	SPRING	1		
8	+	437024-37330	PLUNGER	1		

GUIDE BAR, CHAIN

Pitch ピッチ (inch) (mm)	Gauge ゲージ (inch) (mm)	Length 長さ (cm)	Guide Bar ガイドバー		Saw Chain ソーチェーン		Hard Nose ハード ノーズ 	Sprocket Nose スプロケット ノーズ 
			Key №	Type 形式	Key №	Type 形式		
3/8 9.53	0.050 1.27	30	A1	30RC50M-3/8	A2	91VXL-47E		●
					A3	91PX-47E		
3/8 9.53	0.050 1.27	35	B1	35RC50M-3/8	B2	91VXL-53E		●
					B3	91PX-53E		
3/8 9.53	0.050 1.27	40	C1	40RC50-3/8	C2	91VXL-58E		●
					C3	91PX-58E		
3/8 9.53	0.050 1.27	35	D1	35RC50-3/8	D2	91VXL-53E		●
					D3	91PX-53E		
1/4 6.35	0.050 1.27	30	E1	30C50SL	E2	25AP-68E	●	
					E3	25A-68E		
1/4 6.35	0.050 1.27	35	F1	35C50SL	F2	25AP-76E	●	
					F3	25A-76E		
3/8 9.53	0.050 1.27	30	G1	C30S91-47ML- EC	G2	91VXL-47E		●
3/8 9.53	0.050 1.27	35	H1	C35S91-53ML- EC	H2	91VXL-53E		●
3/8 9.53	0.050 1.27	40	I1	C40S91-58AA- ET	I2	91VXL-58E		●

GUIDE BAR, CHAIN

KEY NO	LV(+)	Part No	Description	Qty	Standard	Comment
A1		X122-000072	BAR,GUIDE 30	1	30RC50M-3/8 ECHO	
A2		X222-000130	CHAIN,SAW	1	91VXL-47E	
A3		X222-000140	CHAIN,SAW	1	91PX-47E	
B1		X123-000132	BAR,GUIDE 35	1	35RC50M-3/8 ECHO	
B2		X223-000080	CHAIN,SAW	1	91VXL-53E	
B3		X223-000130	CHAIN,SAW	1	91PX-53E	
C1		430211-13432	BAR,GUIDE 40RC50-3/8	1	40RC50-3/8	
C2		X224-000030	CHAIN,SAW	1	91VXL-58E	
C3		X224-000070	CHAIN,SAW	1	91PX-58E	
D1		430219-38732	BAR, GUIDE 35RC503/8	1	35RC50L-3/8Eニユ- 口	
D2		X223-000080	CHAIN,SAW	1	91VXL-53E	
D3		X223-000130	CHAIN,SAW	1	91PX-53E	
E1		X102-000070	BAR,GUIDE 30	1	30C50SL ECHO	
E2		431611-10030	CHAIN, SAW 25AP-68E	1	25AP-68E	
E3		X202-000010	CHAIN,SAW	1	25A-68E	
F1		X103-000110	BAR,GUIDE 35	1	35C50SL ECHO	
F2		431612-10030	CHAIN, SAW 25AP-76E	1	25AP-76E	
F3		X203-000000	CHAIN,SAW	1	25A-76E	
G1		X122-000341	BAR,GUIDE 30	1	C30S91-47ML- EC	
G2		X222-000130	CHAIN,SAW	1	91VXL-47E	
H1		X123-000551	BAR,GUIDE 35	1	C35S91-53ML- EC	
H2		X223-000080	CHAIN,SAW	1	91VXL-53E	
I1		430211-13433	BAR,GUIDE 40RC50-3/8	1	C40S91-58AA- ET	
I2		X224-000030	CHAIN,SAW	1	91VXL-58E	

NUMERICAL PARTS INDEX

Part No	Part description	Page	Part No	Part description	Page	Part No	Part description	Page
100013-1-5330	PIN, PISTON	2	125378-1-3930	PIECE, FRICTION	10	437015-3-7330	SPRING	22
100014-6-0930	SPACER, PISTON PIN	2	130020-3-3330	NUT	16	437019-3-8330	SPRING	22
100015-0-4630	CIRCLIP, PISTON PIN	2	131300-5-6431	VENT ASSEMBLY, FUEL	4	437024-3-7330	PLUNGER	22
100142-1-2330	KEY, WOODRUFF	6	132115-0-1462	GROMMET	2	437062-3-8330	CAP, OIL PUMP	22
100910-1-8830	CUSHION	4	132115-4-4331	GROMMET, FUEL	4	890157-3-9131	LABEL, SWITCH	16
100918-1-4330	CAP, CUSHION	16	150117-1-6430	SPACER	6	890345-3-9231	LABEL, CAUTION	16
100918-1-5130	CAP	4	156110-0-4920	BUSHING	6	895410-0-3930	WRENCH, W/S. DRIVER	20
100918-1-5130	CAP	16	163400-3-8430	SWITCH, IGNITION	16	900105-0-5018	BOLT HSH	12
123127-1-5030	RING	22	163911-3-0130	PLUG	4	900106-0-5020	BOLT HSH, FLANGE	4
123181-3-9130	PUMP, PRIMER	4	175005-3-9133	DRUM, CLUTCH	18	900106-0-5030	BOLT HSH, FLANGE	4
125310-1-3930	SCREW	10	177234-3-5430	SPRING, RETURN	6	900162-0-5025	BOLT HSH	2
125314-1-3930	SCREW	10	177236-6-1830	SCREW	14	900238-0-4012	SCREW	2
125314-5-1230	SCREW	10	177247-0-4630	SPACER, RATCHET	6	900238-0-5012	SCREW	8
125322-1-1520	SPRING, COIL	10	178090-3-7930	LOCKOUT, T. CONTROL	16	900238-0-5020	SCREW	6
125323-0-8260	ARM, VALVE	10	430211-1-3432	BAR, GUIDE 40RC50-3/8	24	900238-0-5050	SCREW	8
125325-0-8360	GASKET, PUMP	10	430211-1-3433	BAR, GUIDE 40RC50-3/8	24	900242-0-4010	SCREW	12
125327-1-5130	CLIP	10	430219-3-8732	BAR, GUIDE 35RC503/8	24	900253-0-4008	SCREW, TAPPING	16
125333-3-3330	SPRING, IDLE ADJUST	10	431611-1-0030	CHAIN, SAW 25AP-68E	24	900253-0-4010	SCREW, TAPPING	4
125337-0-8260	VALVE, INLET NEEDLE	10	431612-1-0030	CHAIN, SAW 25AP-76E	24	900253-0-4012	SCREW, TAPPING	4
125338-1-3930	PIN, METERING ARM	10	433019-0-3933	NUT, FLANGE 6	18	900253-0-4012	SCREW, TAPPING	16
125339-1-3930	SCREW	10	433026-3-5430	CATCHER, CHAIN	4	900253-0-4012	SCREW, TAPPING	18
125344-0-8560	SCREW	10	433116-3-5430	SPACER 8	18	900253-0-4016	SCREW, TAPPING	12
125348-1-3930	SCREW	10	433167-3-9130	SPACER	18	900253-0-4016	SCREW, TAPPING	16
125363-1-2820	RETAINER	10	436114-1-3930	VALVE, CHECK	4	900253-0-5020	SCREW, TAPPING	4

NUMERICAL PARTS INDEX

Part No	Part description	Page	Part No	Part description	Page	Part No	Part description	Page
900253-0-5020	SCREW, TAPPING	16	A239-00-0030	PIPE,INTAKE	4	C309-00-0030	TENSIONER,CHAIN	18
900256-0-4016	SCREW, TAPPING	14	A241-00-0060	KNOB,CHOKE	16	C320-00-0047	LEVER,BRAKE	18
900330-3-0260	ROLLER	18	A310-00-0431	SCREEN, ARRESTOR	12	C328-00-0030	BAND,BRAKE	18
900345-4-0025	PIN, SPRING	16	A312-00-0070	PLATE, EXHUST	12	C334-00-0070	CONNECTOR, BRAKE	18
900515-0-0008	NUT, FLANGE	6	A313-00-1980	GUIDE, EXHAUST	12	C345-00-0084	COVER,BRAKE	18
900562-5-0005	NUT, LOCK	18	A320-00-1130	COVER,MUFFLER	12	C400-00-0321	HANDLE,FRONT	16
900603-0-0005	WASHER	6	A365-00-0050	CONNECTOR,CAP	4	C410-00-0253	HANDLE,REAR	16
900720-0-0018	O-RING	4	A369-00-0420	STRAINER, FUEL	4	C411-00-0001	LID,HANDLE	16
900724-0-0004	O-RING	4	A409-00-1180	ROTOR, MAGNETO	6	C450-00-0141	TRIGGER, THROTTLE	16
91318-05-032	SCREW	18	A425-00-0000	SPARKPLUG	6	C454-00-0110	ROD, THROTTLE	16
92505-10-200	O-RING	8	A426-00-0000	TERMINAL, SPARKPLUG	6	C617-00-0200	STOPPER	16
93050-30-098	ROLLER	18	A427-00-0000	CAP,SPARK PLUG	6	P003-00-1370	NEEDLE-ADJ	22
94035-36-201	BEARING, BALL	2	A472-00-0091	CASE,SWITCH	16	P003-00-2180	PIN, SPRING	22
A021-00-4400	CARBURETOR, DIAPHRAGM	8	A506-00-0460	REEL,ROPE	14	P005-00-0790	SPRING,THRT. RETURN	10
A021-00-4400	CARBURETOR, DIAPHRAGM	10	A507-00-0110	CATCHER,PAWL	14	P005-00-0860	SCREEN, FUEL INLET	10
A051-00-3010	STARTER,RECOIL ASY	14	A514-00-0020	PAWL	6	P005-00-1110	DIAPHRAGM, PUMP	10
A056-00-0071	CLUTCH	18	A551-00-0010	PLATE,CLUTCH	18	P005-00-2370	NEEDLE, HIGH SPEED	10
A101-00-0670	RING, PISTON	2	A552-00-0020	HUB,CLUTCH	18	P005-00-2380	NEEDLE, IDLE	10
A172-00-2190	COVER,FAN	14	C022-00-0020	AUTO-OILER ASSEMBLY	2	P005-00-2390	SHAFT, CHOKE	10
A202-00-0033	BELLOWS,INTAKE	8	C022-00-0020	AUTO-OILER ASSEMBLY	22	P005-00-2400	PLUG, WELCH	10
A204-00-0060	ELBOW, CARBURETOR	8	C300-00-0242	GUARD,SPROCKET	18	P005-00-3050	LEVER, CHOKE	10
A226-00-1700	ELEMENT, AIR FILTER	8	C304-00-0000	SPIKE	4	P005-00-3180	COVER, PUMP	10
A232-00-0191	LID,CLEANER	8	C305-00-0080	PLATE,SPROCKET GUARD	4	P005-00-3190	DIAPHRAGM , METERING	10
A235-00-0140	KNOB,CLEANER LID	8	C305-00-0091	PLATE,SPROCKET GUARD	18	P005-00-3200	GASKET, METERING	10

NUMERICAL PARTS INDEX

Part No	Part description	Page	Part No	Part description	Page	Part No	Part description	Page
P005-00-3210	COVER, METERING	10	P022-00-8440	ROPE, STARTER	14	V359-00-0060	COLLAR,16	8
P005-00-3220	SCREW	10	P022-03-3280	SPRING CASE	14	V376-00-0450	SPACER	18
P005-00-3590	NOZZLE, CHECK VALVE	10	P022-03-9160	CASE,STARTER	14	V400-00-0070	CUSHION,4	16
P005-00-3600	SHAFT ASY, THROTTLE	10	P100-00-1900	STRAINER, OIL	2	V401-00-0120	CUSHION,5	16
P005-00-3610	LEVER, THROTTLE	10	P100-00-6900	CRANKCASE SET	2	V420-00-1110	CUSHION	4
P005-00-3620	VALVE, THROTTLE	10	P100-00-6960	COVER ENGINE ASY	4	V424-00-0000	SLEEVE,CUSHION	16
P005-00-3630	COLLAR	10	V103-00-1510	GASKET,INTAKE	8	V450-00-0070	SPRING, COMPRESSION	18
P005-00-3640	VALVE, CHOKE	10	V104-00-1960	GASKET,EXHAUST	12	V451-00-0470	SPRING,TENSION	18
P005-00-3650	SPRING, CHOKE RETURN	10	V104-00-1980	GASKET,EXHAUST	12	V452-00-0110	SPRING,TORSION	18
P005-00-3660	SPRING	10	V130-00-0010	GROMMET,CHOKE	16	V452-00-0260	SPRING,TORSION	16
P005-00-3670	PLUNGER	10	V137-00-0001	GROMMET,FUEL	4	V452-00-1320	SPRING,TORSION	14
P005-00-3680	O-RING	10	V142-00-0020	GROMMET,DUST	16	V470-00-0322	PIPE	4
P005-00-3690	PLUG	10	V186-00-0510	JOINT,PIPE	4	V470-00-0482	PIPE	8
P021-00-5581	OIL CAP ASY	4	V202-00-0020	BOLT,4	4	V471-00-0741	PIPE	2
P021-00-5591	CAP ASY	4	V202-00-0020	BOLT,4	16	V471-00-0751	PIPE	4
P021-00-5811	CLUTCH SHOE SET	18	V203-00-0041	BOLT,5	18	V471-00-0761	PIPE	2
P021-00-8741	DUSTCOVER SET	4	V203-00-0080	BOLT,5	6	V471-00-1291	PIPE	4
P021-03-9160	CRANKSHAFT ASY	2	V224-00-0031	BOLT,STUD 6	4	V471-00-1441	PIPE	4
P021-04-5440	PISTON KIT	2	V308-00-0030	WASHER,CIRCULAR 11	2	V475-00-2390	TUBE	6
P021-04-5451	MUFFLER ASY	12	V341-00-0040	WASHER,SQUARE	4	V475-00-7430	TUBE	6
P021-04-8611	COIL, IGNITION	6	V351-00-0000	COLLAR,3	8	V485-00-0550	LEAD	6
P021-04-8620	BRAKE,ASM CHAIN	18	V353-00-0060	COLLAR,5	18	V485-00-0560	LEAD	16
P022-00-1330	SPRING KIT, REWIND	14	V355-00-0140	COLLAR,8	18	V485-00-0571	LEAD	16
P022-00-5891	GRIP, STARTER	14	V356-00-0290	COLLAR,10	2	V490-00-1230	CLIP	2

NUMERICAL PARTS INDEX

Part No	Part description	Page	Part No	Part description	Page
V490-00-1240	CLIP	4	X502-00-0780	LABEL,ECHO	14
V505-00-0011	SEAL,OIL 12	2	X503-01-5200	LABEL,MODEL	8
V553-00-0130	BEARING,NEEDLE 8	2	X505-00-0181	LABEL,CAUTION	14
V555-00-0170	BEARING,NEEDLE 10	18	X505-00-7710	LABEL,CAUTION	12
V582-00-0020	RING,SNAP	8			
V651-00-0001	GEAR,BEVEL	18			
V651-00-0011	GEAR,BEVEL	18			
V652-00-0030	GEAR,WORM	2			
X102-00-0070	BAR,GUIDE 30	24			
X103-00-0110	BAR,GUIDE 35	24			
X122-00-0072	BAR,GUIDE 30	24			
X122-00-0341	BAR,GUIDE 30	24			
X123-00-0132	BAR,GUIDE 35	24			
X123-00-0551	BAR,GUIDE 35	24			
X202-00-0010	CHAIN,SAW	24			
X203-00-0000	CHAIN,SAW	24			
X222-00-0130	CHAIN,SAW	24			
X222-00-0140	CHAIN,SAW	24			
X223-00-0080	CHAIN,SAW	24			
X223-00-0130	CHAIN,SAW	24			
X224-00-0030	CHAIN,SAW	24			
X224-00-0070	CHAIN,SAW	24			
X490-00-0510	SCABBARD,CHAIN	20			
X502-00-0340	LABEL,ECHO	18			