



PARTS CATALOG

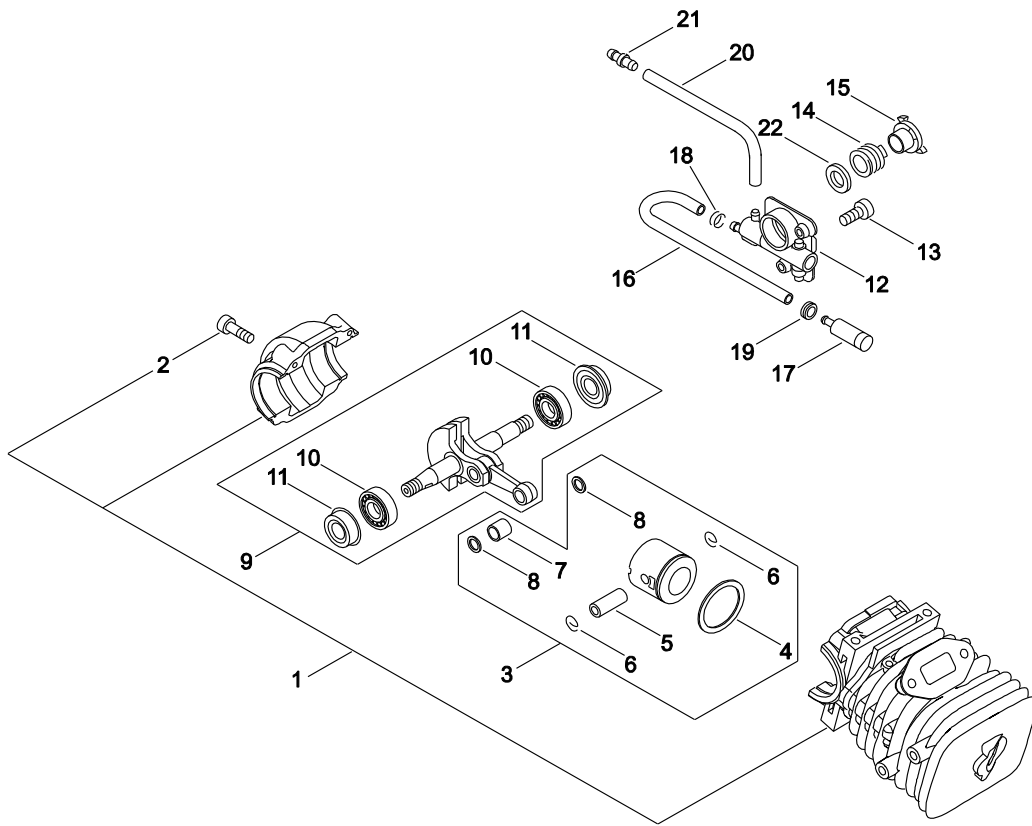
TOP HANDLE SAW CS-360TES(37)30

37013141 -



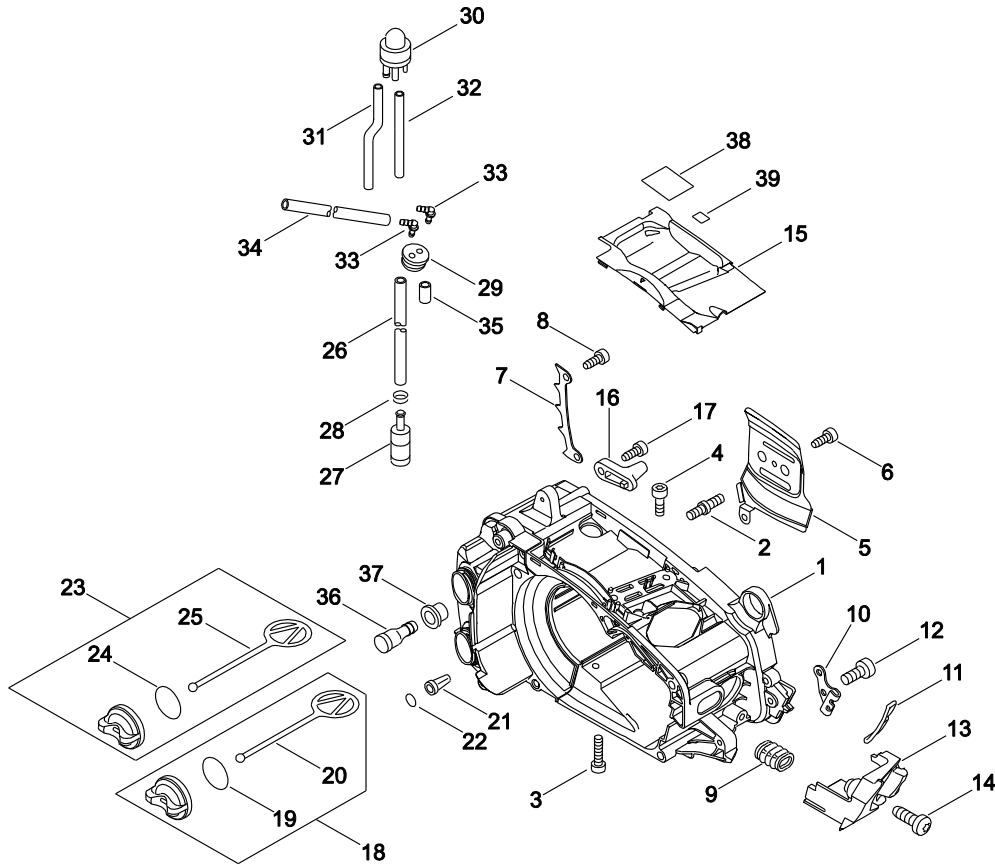
P014-003801-15C

1. CYLINDER, PISTON, CRANKSHAFT



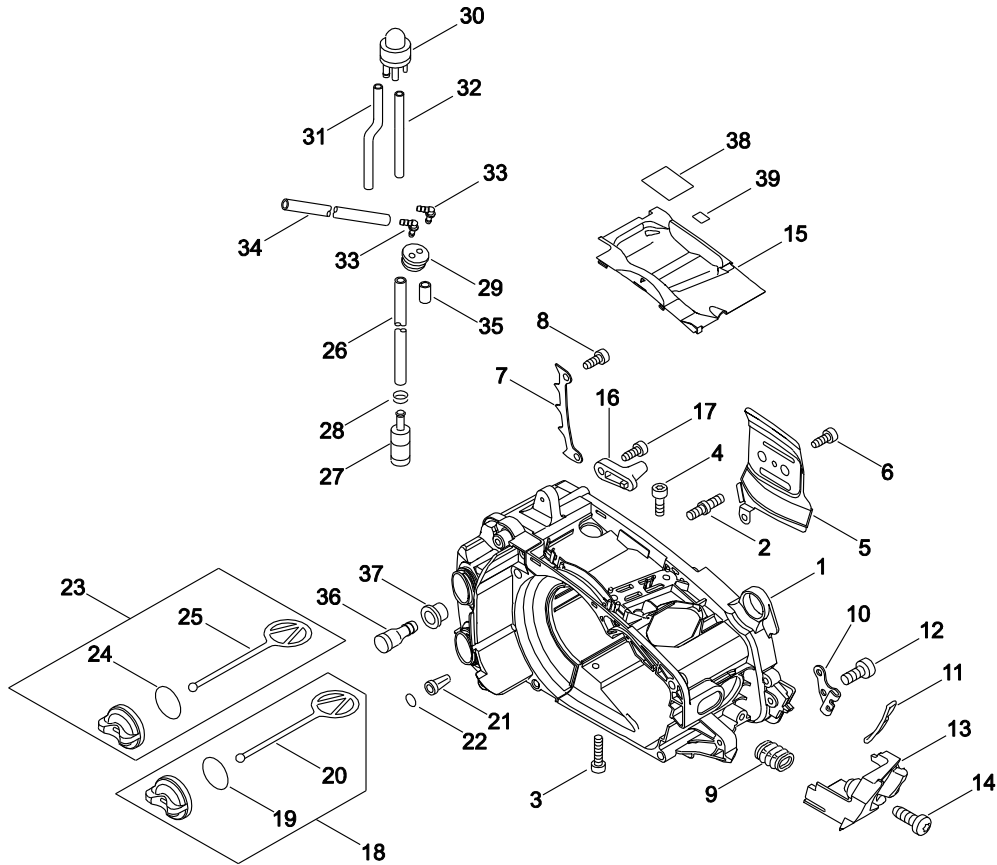
KEY	LV	PART NUMBER	Q'TY	DESCRIPTION	REMARKS	NOTE1	NOTE2
1		P021-045430	1	CRANKCASE SET			
2	+	V805-000210	4	BOLT, TORX 5	TB-5*20 12.9		
3		P021-045440	1	PISTON KIT			
4	+	A101-000670	1	RING, PISTON	39*1.2*1.7		
5	+	100013-15330	1	PIN, PISTON	5.5*8*29		
6	+	100015-04630	2	CIRCLIP, PISTON PIN			
7	+	V553-000130	1	BEARING, NEEDLE 8			
8	+	100014-60930	2	SPACER, PISTON PIN			
9		P021-039160	1	CRANKSHAFT ASY			
10	+	94035-36201	2	BEARING BALL	6201X3JR2C3		
11	+	V505-000011	2	SEAL, OIL 12	12*32*5.5		
12		C022-000020	1	AUTO-OILER ASSEMBLY			
13		V804-000050	2	BOLT, TORX 4	TB-4*12 10.9		
14		V652-000030	1	GEAR, WORM			
15		V356-000290	1	COLLAR, 10			
16		V471-000740	1	PIPE			
17		436205-02832	1	STRAINER, OIL			
18		V490-001230	1	CLIP			
19		132115-01461	1	GROMMET			
20		132012-11960	1	PIPE 3* 6* 45	3*6*45 NBR		
21		V187-000010	1	NIPPLE			
22		V308-000030	1	WASHER, CIRCULAR 11	10.5*17.4*1.8		

2. ENGINE COVER



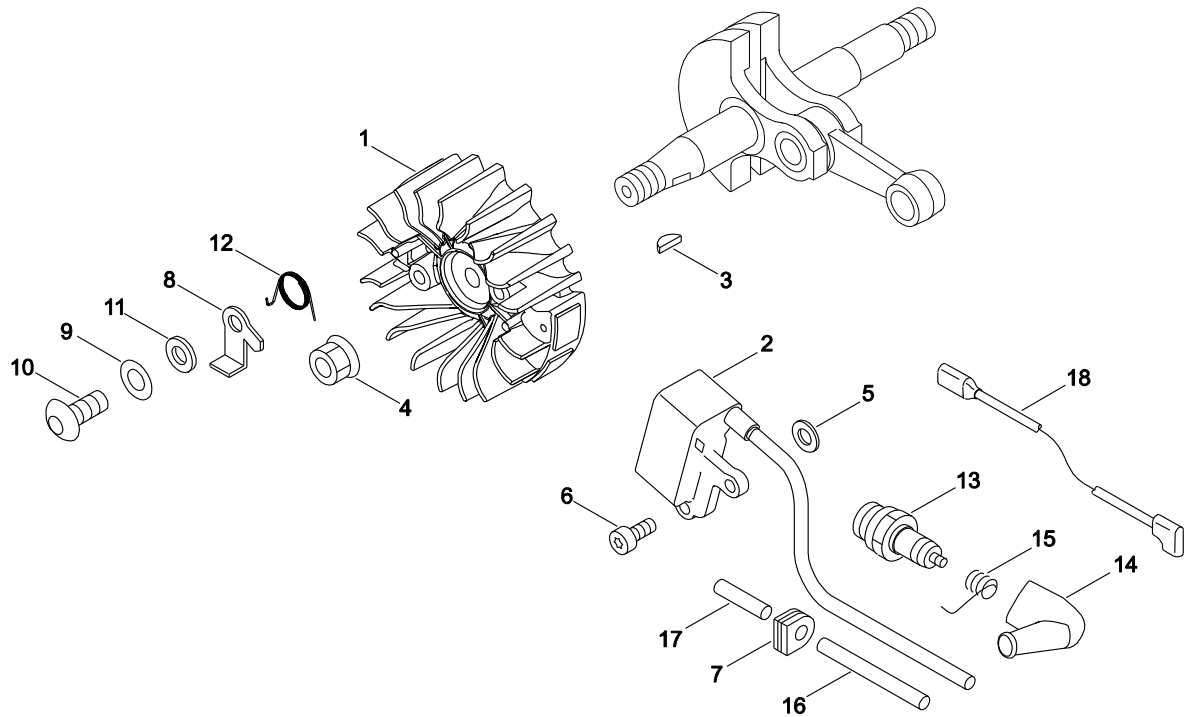
KEY	LV	PART NUMBER	Q'TY	DESCRIPTION	REMARKS	NOTE1	NOTE2
1		A190-001154	1	COVER,ENGINE			
2		V225-000262	2	BOLT,STUD 8			
3		V805-000180	2	BOLT, TORX 5	TB-5*30 12.9		
4		V805-000210	2	BOLT, TORX 5	TB-5*20 12.9		
5		C305-000430	1	PLATE,SPROCKET GUARD			
6		V804-000000	1	BOLT, TORX 4	TT-4*12 DG 10.9		
7		C304-000000	1	SPIKE			
8		V805-000010	1	BOLT, TORX 5	TT-5*20 DG 10.9		
9		A239-000000	1	PIPE,INTAKE			
10		C626-000070	1	FIXTURE, HARNESS			
11		C646-000100	1	RING, HARNESS			
12		V805-000140	1	BOLT, TORX 5	TB-5*12 10.9		
13		A429-000160	1	COVER,CAP			
14		V805-000010	1	BOLT, TORX 5	TT-5*20 DG 10.9		
15		A127-000370	1	COVER,DUST			
16		433026-35430	1	CATCHER, CHAIN			
17		V805-000010	1	BOLT, TORX 5	TT-5*20 DG 10.9		
18		P021-005581	1	OIL CAP ASY			
19	+	900720-00018	1	O-RING 18	P-18		
20	+	A365-000050	1	CONNECTOR,CAP			
21		436114-13930	1	VALVE, CHECK			

2. ENGINE COVER



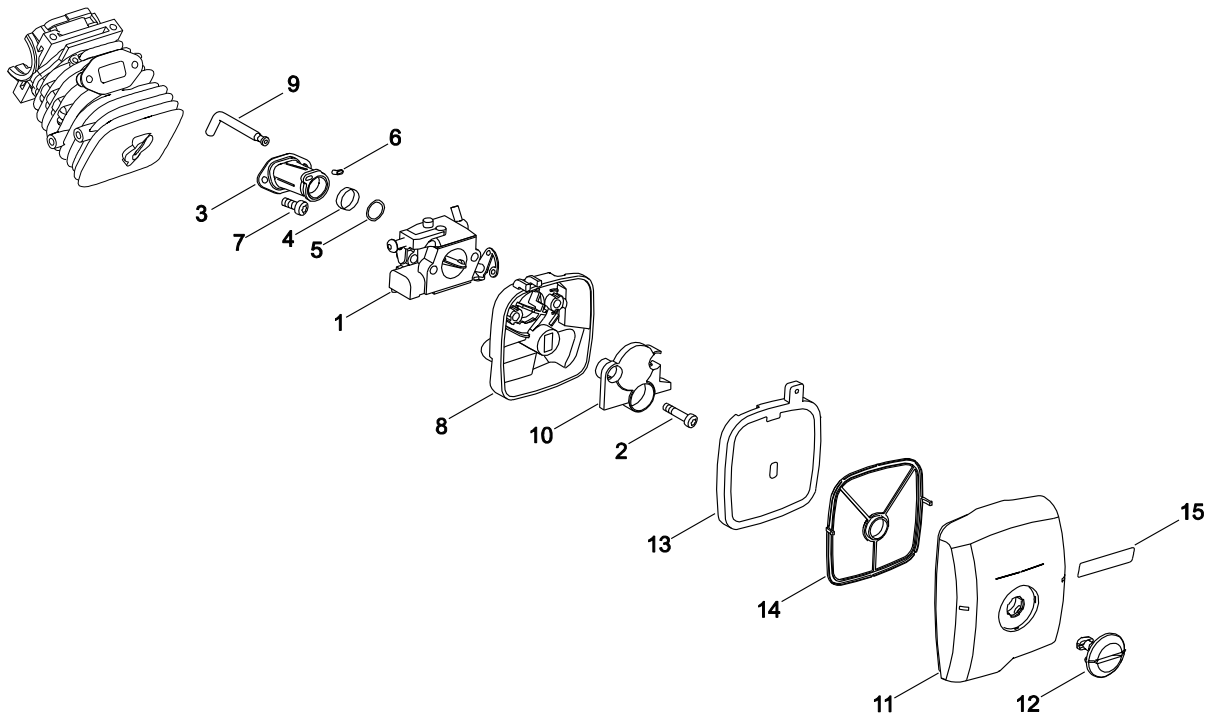
KEY	LV	PART NUMBER	Q'TY	DESCRIPTION	REMARKS	NOTE1	NOTE2
22		900724-00004	1	O-RING (S-4)	S-4		
23		P021-005591	1	CAP ASY			
24	+	900720-00018	1	O-RING 18	P-18		
25	+	A365-000050	1	CONNECTOR,CAP			
26		V471-002290	1	PIPE	3*5*140		
27		131205-14931	1	STRAINER,FUEL			
28		V490-001240	1	CLIP			
29		132115-44330	1	GROMMET			
30		123181-39130	1	PUMP, PRIMER			
31		V471-003400	1	PIPE	2.4*5*180		
32		V471-003380	1	PIPE	2.4*5*400		
33		V186-000530	2	JOINT,PIPE			
34		V471-003410	1	PIPE	3*5*265		
35		V471-003390	1	PIPE	2.4*5*15		
36		131300-56431	1	VENT ASSEMBLY, FUEL			
37		V137-000000	1	GROMMET,FUEL			
38		X505-002441	1	LABEL,CAUTION			
39		X505-007760	1	LABEL,CAUTION	13800R/MIN		

3. MAGNETO



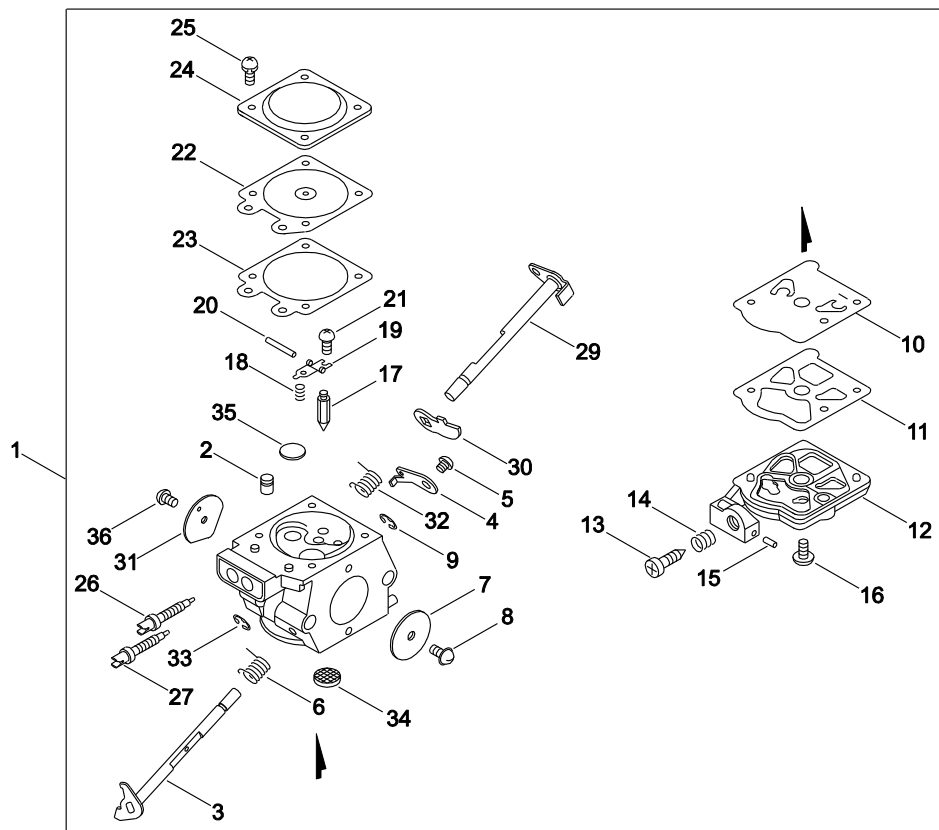
KEY	LV	PART NUMBER	Q'TY	DESCRIPTION	REMARKS	NOTE1	NOTE2
1		A409-001240	1	ROTOR, MAGNETO			
2		A411-001500	1	COIL, IGNITION	OPPAMA ID#		
3		100142-12330	1	KEY, WOODRUFF			
4		900515-00008	1	NUT, FLANGE 8	8		
5		150117-16430	2	SPACER			
6		V805-000210	2	BOLT, TORX 5	TB-5*20 12.9		
7		156110-04920	1	BUSHING			
8		A514-000270	2	PAWL			
9		900603-00005	2	WASHER 5	5.5*12*0.8		
10		V203-000080	2	BOLT,5	5*14		
11		177247-04630	2	SPACER, RATCHET	5.2*8*2.1		
12		177234-35430	2	SPRING, RETURN			
13		A425-000000	1	SPARKPLUG	BPMR8Y		
14		A427-000013	1	CAP, SPARK PLUG			
15		A426-000010	1	TERMINAL, SPARKPLUG			
16		V475-002390	1	TUBE			
17		V475-001900	1	TUBE	7*8.6*30		
18		V485-002430	1	LEAD			

4. AIR CLEANER, CARBURETOR



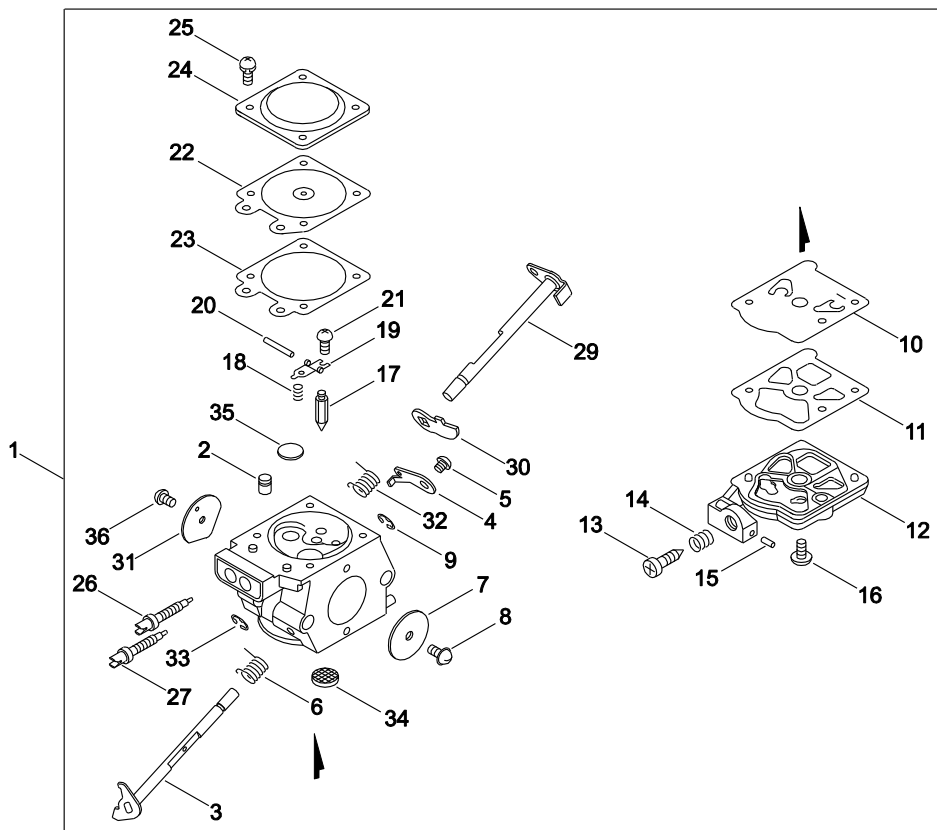
KEY	LV	PART NUMBER	Q'TY	DESCRIPTION	REMARKS	NOTE1	NOTE2
1		A021-004210	1	CARBURETOR,DIAPHRAGM	ZAMA		
2		V805-000080	2	BOLT, TORX 5	TB-5*50 10.9		
3		A202-000231	1	BELLOWS, INTAKE			
4		V451-001411	1	SPRING, TENSION			
5		V311-000170	1	WASHER, CIRCULAR 16-1	T1.2		
6		V351-000000	1	COLLAR, 3	3.2*6.5		
7		V805-000140	2	BOLT, TORX 5	TB-5*12 10.9		
8		A225-000611	1	CASE, CLEANER			
9		V470-001910	1	PIPE			
10		A244-000280	1	PLATE, PREVENT			
11		A232-001652	1	LID, CLEANER			
12		A235-000361	1	KNOB, CLEANER LID			
13		A226-001820	1	ELEMENT, AIR FILTER			
14		A228-000030	1	SEAL, CLEANER			
15		X503-012640	1	LABEL, MODEL	CS-360TES EU		

5. CARBURETOR



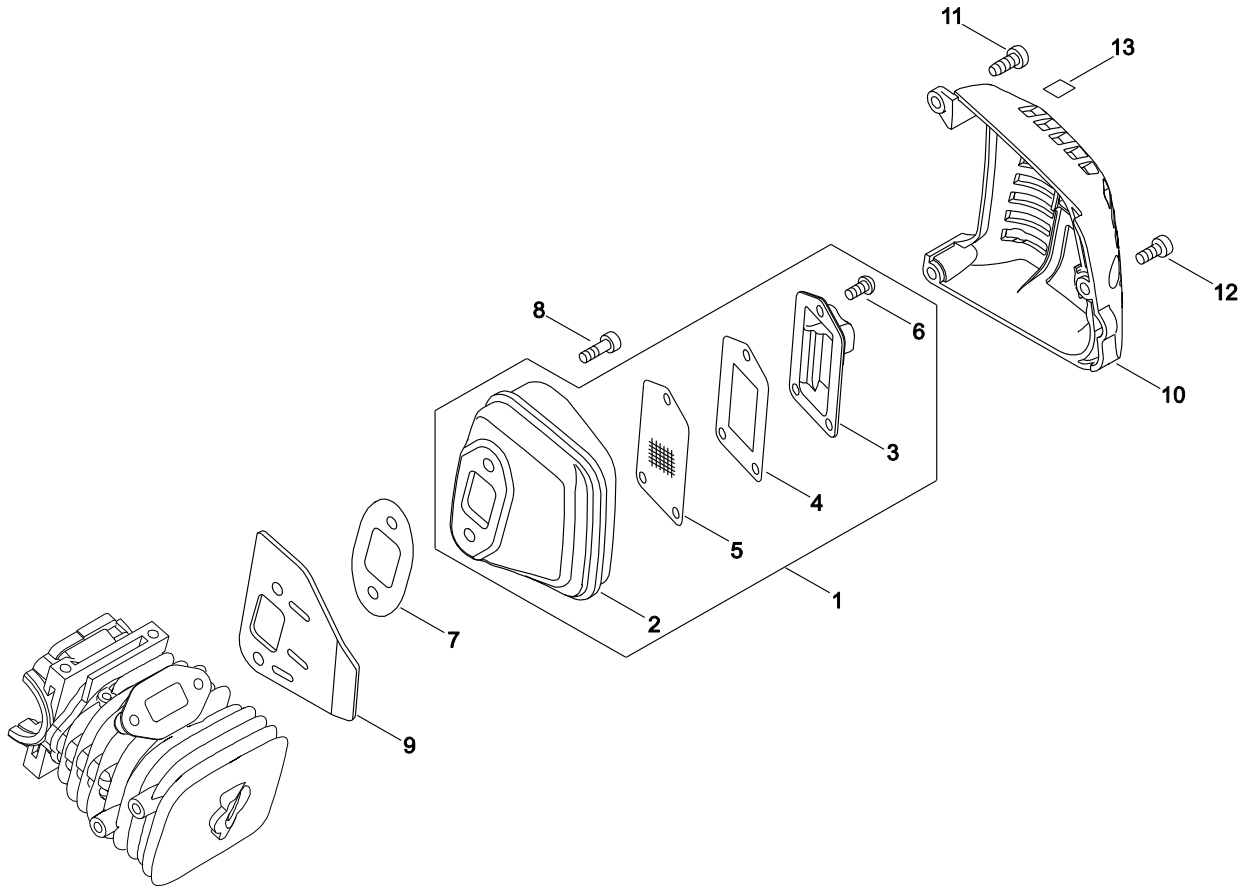
KEY	LV	PART NUMBER	Q'TY	DESCRIPTION	REMARKS	NOTE1	NOTE2
1		A021-004210	1	CARBURETOR,DIAPHRAGM	ZAMA		
2	+	P005-003130	1	NOZZLE, CHECK VALVE			
3	+	P005-003140	1	SHAFT ASY,THROTTLE			
4	+	P005-003150	1	LEVER, THROTTLE			
5	+	125348-13930	1	SCREW			
6	+	P005-000790	1	SPRING,THRT.RETURN			
7	+	P005-003160	1	VALVE, THROTTLE			
8	+	P005-003170	1	SCREW			
9	+	125327-13930	1	CLIP			
10	+	P005-001110	1	DIAPHRAGM, PUMP			
11	+	125325-08360	1	GASKET, PUMP			
12	+	P005-003180	1	COVER, PUMP			
13	+	125344-08560	1	SCREW			
14	+	125333-33330	1	SPRING, IDLE ADJUST			
15	+	125378-13930	1	PIECE, FRICTION			
16	+	125310-13930	1	SCREW			
17	+	125337-08260	1	VALVE, INLET NEEDLE			
18	+	125322-13930	1	SPRING, COIL			
19	+	125323-08260	1	ARM, VALVE			
20	+	125338-13930	1	PIN, METERING ARM			
21	+	125339-13930	1	SCREW			
22	+	P005-003190	1	DIAPHRAGM ,METERING			
23	+	P005-003200	1	GASKET, METERING			
24	+	P005-003210	1	COVER, METERING			
25	+	P005-003220	4	SCREW			

5. CARBURETOR



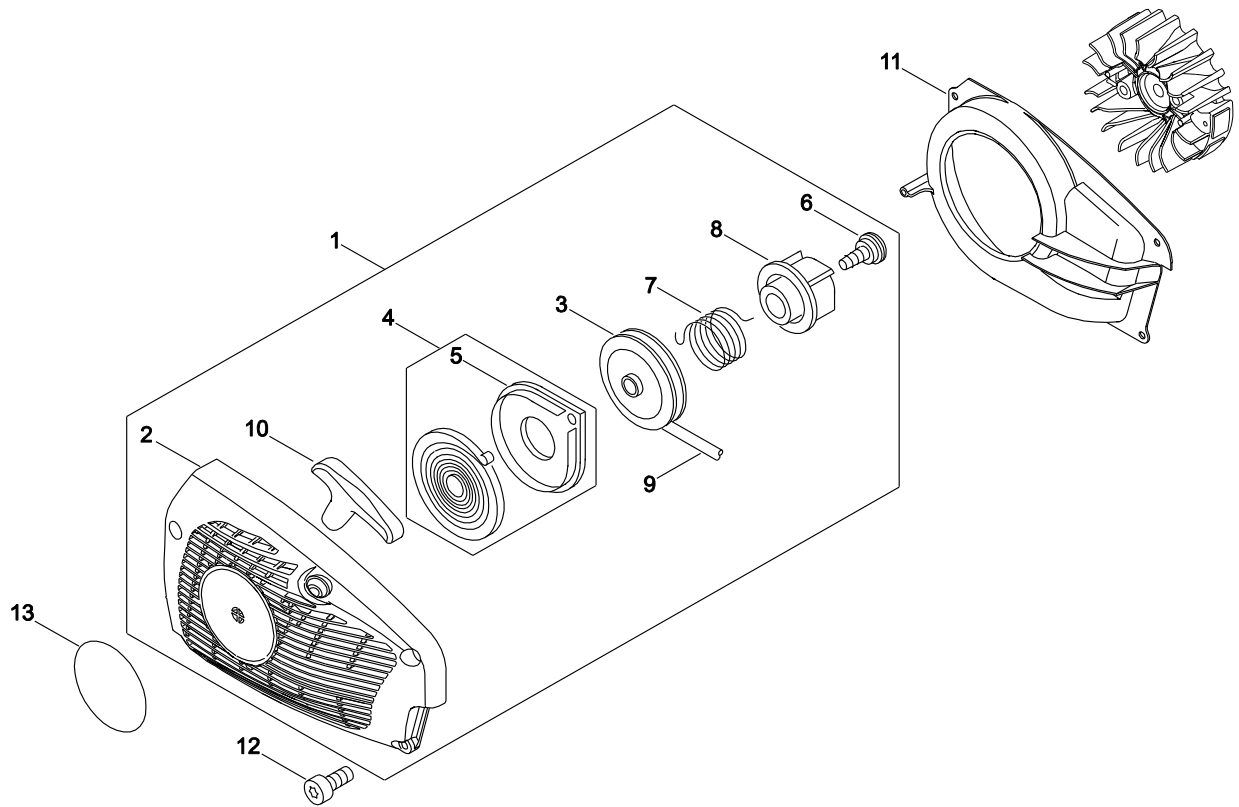
KEY	LV	PART NUMBER	Q'TY	DESCRIPTION	REMARKS	NOTE1	NOTE2
26	+	P005-002370	1	NEEDLE, HIGH SPEED			
27	+	P005-002380	1	NEEDLE, IDLE			
29	+	P005-002390	1	SHAFT, CHOKE			
30	+	P005-003230	1	LEVER, CHOKE			
31	+	P005-003240	1	VALVE, CHOKE			
32	+	P005-000880	1	SPRING, CHOKE RETURN			
33	+	125327-15130	1	CLIP			
34	+	P005-000860	1	SCREEN, FUEL INLET			
35	+	P005-002400	1	PLUG, WELCH			
36	+	125314-51230	1	SCREW	3*4.5		

6. MUFFLER



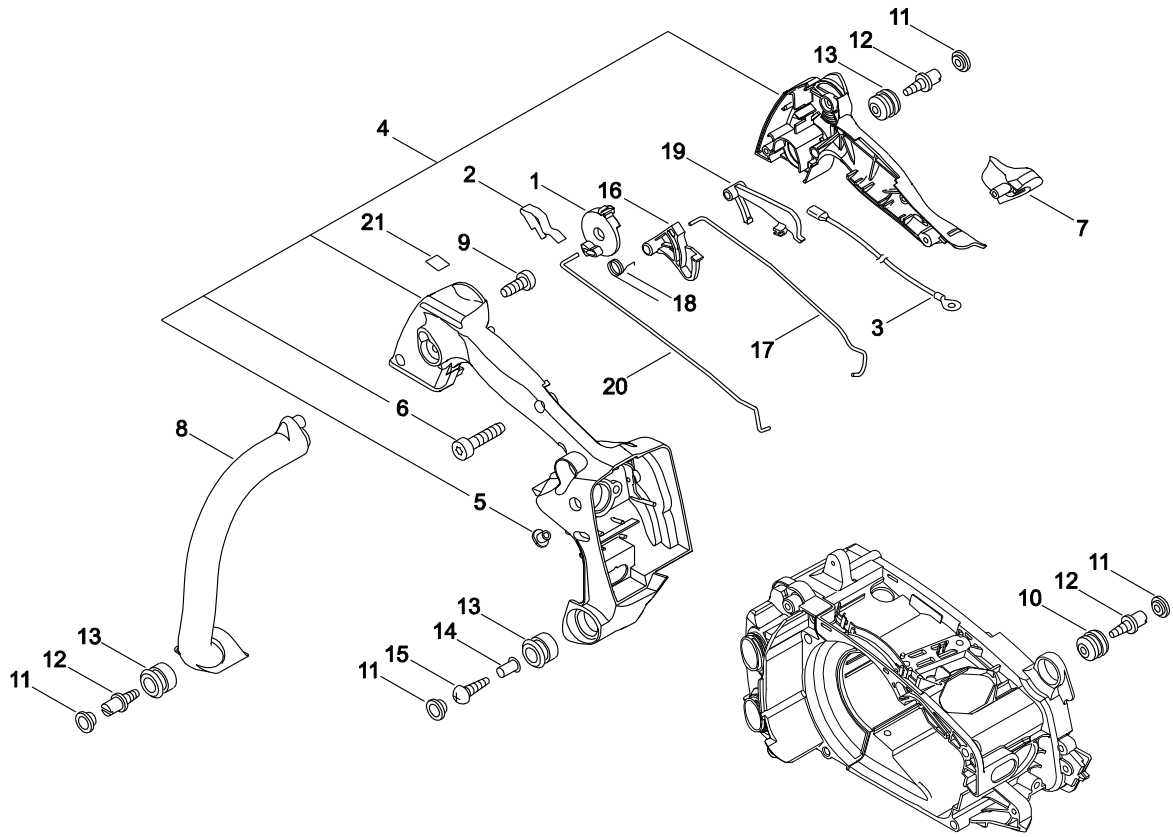
KEY	LV	PART NUMBER	Q'TY	DESCRIPTION	REMARKS	NOTE1	NOTE2
1		P021-045451	1	MUFFLER ASY			
2	+	A300-001841	1	MUFFLER, EXHAUST	T:0.6		
3	+	A313-001980	1	GUIDE, EXHAUST	ID# 2140		
4	+	V104-001980	1	GASKET, EXHAUST			
5	+	A310-000431	1	SCREEN, ARRESTOR			
6	+	900242-04010	3	SCREW 4*10	4*10		
7		V104-001960	1	GASKET, EXHAUST			
8		V805-000250	2	BOLT, TORX 5	TB-5*16 12.9		
9		A312-000070	1	PLATE, EXHUST			
10		A320-001080	1	COVER, MUFFLER	FOR CAT MUFF		
11		V805-000010	2	BOLT, TORX 5	TT-5*20 DG 10.9		
12		V805-000150	1	BOLT, TORX 5	TB-5*16 10.9		
13		X505-007710	1	LABEL, CAUTION			

7. RECOIL STARTER



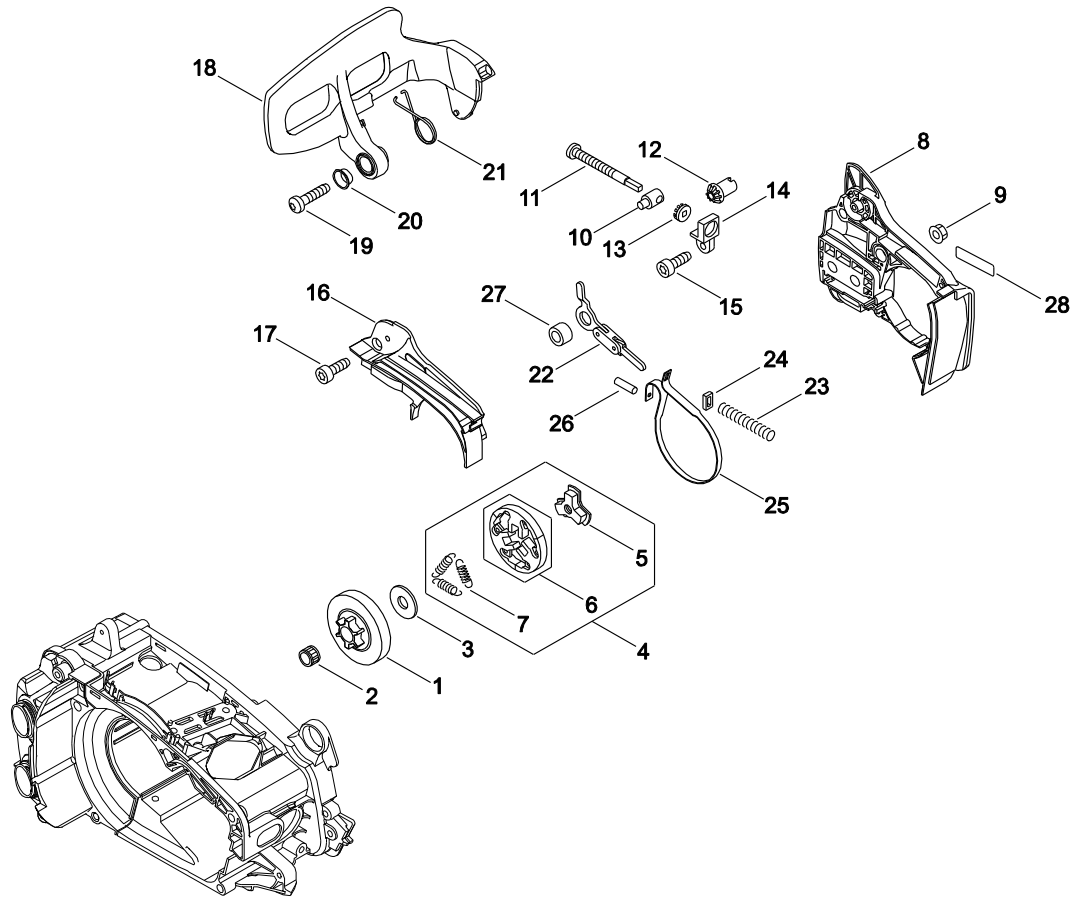
KEY	LV	PART NUMBER	Q'TY	DESCRIPTION	REMARKS	NOTE1	NOTE2
1		A051-002511	1	STARTER,RECOIL ASY			
2	+	P022-038500	1	CASE,STARTER			
3	+	P022-036660	1	DRUM, STARTER			
4	+	P022-001330	1	SPRING KIT, REWIND			
5	++	P022-033280	1	SPRING CASE			
6	+	177236-61830	1	SCREW			
7	+	P022-036670	1	SPRING,DAMPER			
8	+	P022-036680	1	PLATE, CAM			
9	+	P022-008440	1	ROPE, STARTER	3.5*900		
10	+	P022-005891	1	GRIP, STARTER			
11		A172-002091	1	COVER,FAN			
12		V804-000060	4	BOLT, TORX 4	TB-4*16 10.9		
13		X502-000410	1	LABEL,ECHO			

8. HANDLE



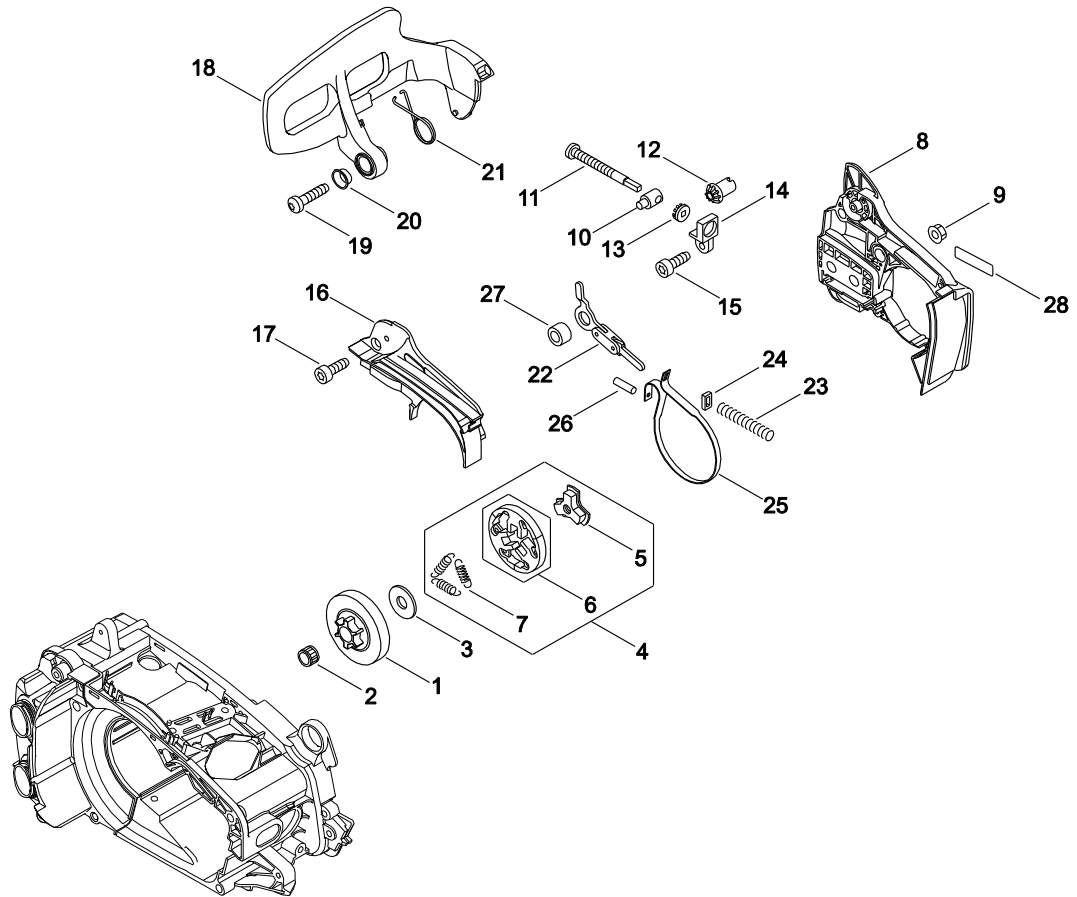
KEY	LV	PART NUMBER	Q'TY	DESCRIPTION	REMARKS	NOTE1	NOTE2
1		A253-000090	1	LEVER, CONTROL			
2		V486-000371	1	TERMINAL, LEAD			
3		V485-002441	1	LEAD			
4		P021-041820	1	HANDLE SET, REAR			
5	+	130020-33330	2	NUT			
6	+	V804-000010	4	BOLT, TORX 4	TT-4*16 DG 10.9		
7		C401-000320	1	PIECE, HANDLE			
8		C400-001150	1	HANDLE, FRONT			
9		V805-000010	1	BOLT, TORX 5	TT-5*20 DG 10.9		
10		100910-18830	1	CUSHION			
11		100918-15130	4	CAP			
12		V202-000000	3	BOLT, 4			
13		V400-000070	3	CUSHION, 4			
14		V352-000020	1	COLLAR, 4			
15		91481-04035	1	SCREW TAPPING			
16		C450-000731	1	CONTROL, THROTTLE			
17		C454-000491	1	ROD, THROTTLE			
18		V452-000010	1	SPRING, TORSION			
19		C460-000002	1	LOCKOUT, THROTTLE			
20		A240-000200	1	ROD, CHOKE			
21		890157-39131	1	LABEL, SWITCH			

9. CHAIN BRAKE



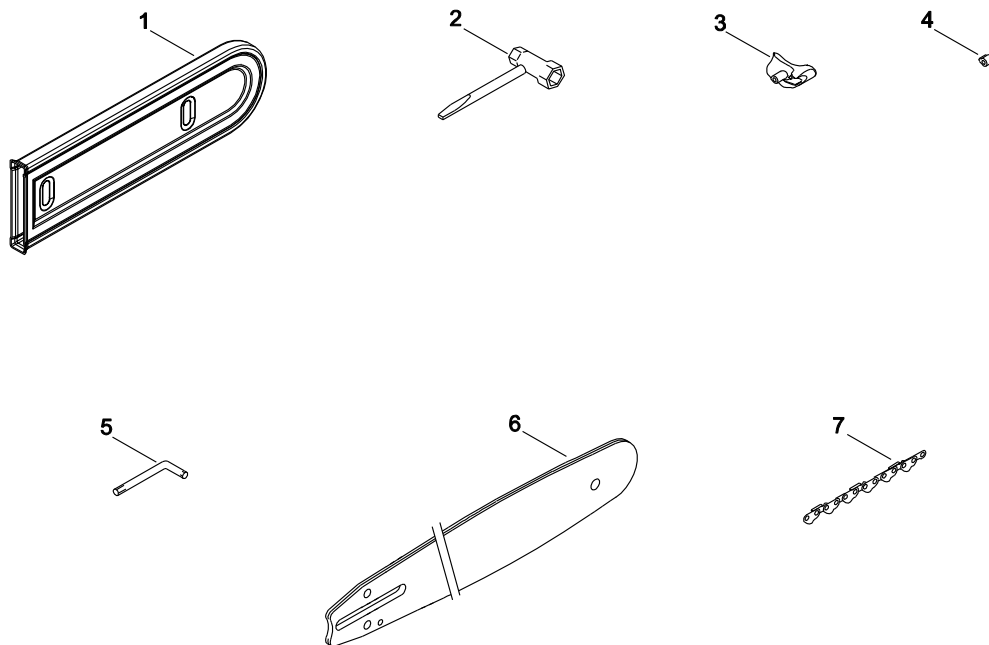
KEY	LV	PART NUMBER	Q'TY	DESCRIPTION	REMARKS	NOTE1	NOTE2
1		175005-39133	1	DRUM, CLUTCH			
2		V555-000170	1	BEARING, NEEDLE 10	8E-KV10*13*12.8		
3		A551-000010	1	PLATE, CLUTCH			
4		A056-000070	1	CLUTCH			
5	+	A552-000020	1	HUB, CLUTCH			
6	+	P021-005810	1	CLUTCH SHOE SET			
7	+	V451-000470	3	SPRING, TENSION			
8		C300-000952	1	GUARD, SPROCKET			
9		V265-000200	2	NUT			
10		C309-000030	1	TENSIONER, CHAIN			
11		V203-000041	1	BOLT, 5			
12		V651-000001	1	GEAR, BEVEL			
13		V651-000011	1	GEAR, BEVEL			
14		V355-000140	1	COLLAR, 8			
15		V804-000000	1	BOLT, TORX 4	TT-4*12 DG 10.9		
16		C345-000520	1	COVER, BRAKE			
17		V804-000000	3	BOLT, TORX 4	TT-4*12 DG 10.9		
18		C320-000501	1	LEVER, BRAKE			
19		V805-000240	1	BOLT, TORX 5	TT-5*12 DG 10.9		
20		V356-000430	1	COLLAR, 10			
21		V452-001380	1	SPRING, TORSION			

9. CHAIN BRAKE



KEY	LV	PART NUMBER	Q'TY	DESCRIPTION	REMARKS	NOTE1	NOTE2
22		C334-000290	1	CONNECTOR, BRAKE			
23		V450-000070	1	SPRING, COMPRESSION			
24		V376-000450	1	SPACER			
25		C328-000310	1	BAND, BRAKE			
26		93050-30098	1	ROLLER	F3*9.8		
27		433116-35430	1	SPACER 8	8*12*9		
28		X502-000340	1	LABEL, ECHO	ECHO(WHITE)		

10. ACCESSORIES



KEY	LV	PART NUMBER	Q'TY	DESCRIPTION	REMARKS	NOTE1	NOTE2
1		X490-000510	1	SCABBARD,CHAIN			
2		X602-000080	1	TOOL,WRENCH	13*19 L180		
3		C401-000300	1	PIECE,HANDLE			
4		C401-000310	1	PIECE,HANDLE			
5		X605-000170	1	TOOL,L WRENCH			
6		X122-000340	1	BAR,GUIDE 30	30RC50MDC- 3/8EC		
7		X222-000140	1	CHAIN,SAW	91PX-47E		

Index

Patrs Number	Key No.	Patrs Number	Key No.	Patrs Number	Key No.
100013-15330	1 - 5	A051-002511	7 - 1	C646-000100	2 - 11
100014-60930	1 - 8	A056-000070	9 - 4	P005-000790	5 - 6
100015-04630	1 - 6	A101-000670	1 - 4	P005-000860	5 - 34
100142-12330	3 - 3	A127-000370	2 - 15	P005-000880	5 - 32
100910-18830	8 - 10	A172-002091	7 - 11	P005-001110	5 - 10
100918-15130	8 - 11	A190-001154	2 - 1	P005-002370	5 - 26
123181-39130	2 - 30	A202-000231	4 - 3	P005-002380	5 - 27
125310-13930	5 - 16	A225-000611	4 - 8	P005-002390	5 - 29
125314-51230	5 - 36	A226-001820	4 - 13	P005-002400	5 - 35
125322-13930	5 - 18	A228-000030	4 - 14	P005-003130	5 - 2
125323-08260	5 - 19	A232-001652	4 - 11	P005-003140	5 - 3
125325-08360	5 - 11	A235-000361	4 - 12	P005-003150	5 - 4
125327-13930	5 - 9	A239-000000	2 - 9	P005-003160	5 - 7
125327-15130	5 - 33	A240-000200	8 - 20	P005-003170	5 - 8
125333-33330	5 - 14	A244-000280	4 - 10	P005-003180	5 - 12
125337-08260	5 - 17	A253-000090	8 - 1	P005-003190	5 - 22
125338-13930	5 - 20	A300-001841	6 - 2	P005-003200	5 - 23
125339-13930	5 - 21	A310-000431	6 - 5	P005-003210	5 - 24
125344-08560	5 - 13	A312-000070	6 - 9	P005-003220	5 - 25
125348-13930	5 - 5	A313-001980	6 - 3	P005-003230	5 - 30
125378-13930	5 - 15	A320-001080	6 - 10	P005-003240	5 - 31
130020-33330	8 - 5	A365-000050	2 - 20	P021-005581	2 - 18
131205-14931	2 - 27	A365-000050	2 - 25	P021-005591	2 - 23
131300-56431	2 - 36	A409-001240	3 - 1	P021-005810	9 - 6
132012-11960	1 - 20	A411-001500	3 - 2	P021-039160	1 - 9
132115-01461	1 - 19	A425-000000	3 - 13	P021-041820	8 - 4
132115-44330	2 - 29	A426-000010	3 - 15	P021-045430	1 - 1
150117-16430	3 - 5	A427-000013	3 - 14	P021-045440	1 - 3
156110-04920	3 - 7	A429-000160	2 - 13	P021-045451	6 - 1
175005-39133	9 - 1	A514-000270	3 - 8	P022-001330	7 - 4
177234-35430	3 - 12	A551-000010	9 - 3	P022-005891	7 - 10
177236-61830	7 - 6	A552-000020	9 - 5	P022-008440	7 - 9
177247-04630	3 - 11	C022-000020	1 - 12	P022-033280	7 - 5
433026-35430	2 - 16	C300-000952	9 - 8	P022-036660	7 - 3
433116-35430	9 - 27	C304-000000	2 - 7	P022-036670	7 - 7
436114-13930	2 - 21	C305-000430	2 - 5	P022-036680	7 - 8
436205-02832	1 - 17	C309-000030	9 - 10	P022-038500	7 - 2
890157-39131	8 - 21	C320-000501	9 - 18	V104-001960	6 - 7
900242-04010	6 - 6	C328-000310	9 - 25	V104-001980	6 - 4
900515-00008	3 - 4	C334-000290	9 - 22	V137-000000	2 - 37
900603-00005	3 - 9	C345-000520	9 - 16	V186-000530	2 - 33
900720-00018	2 - 19	C400-001150	8 - 8	V187-000010	1 - 21
900720-00018	2 - 24	C401-000300	10 - 3	V202-000000	8 - 12
900724-00004	2 - 22	C401-000310	10 - 4	V203-000041	9 - 11
91481-04035	8 - 15	C401-000320	8 - 7	V203-000080	3 - 10
93050-30098	9 - 26	C450-000731	8 - 16	V225-000262	2 - 2
94035-36201	1 - 10	C454-000491	8 - 17	V265-000200	9 - 9
A021-004210	4 - 1	C460-000002	8 - 19	V308-000030	1 - 22
A021-004210	5 - 1	C626-000070	2 - 10	V311-000170	4 - 5

Index

Patrs Number	Key No.	Patrs Number	Key No.	Patrs Number	Key No.
V351-000000	4 - 6	V805-000210	2 - 4		
V352-000020	8 - 14	V805-000210	3 - 6		
V355-000140	9 - 14	V805-000240	9 - 19		
V356-000290	1 - 15	V805-000250	6 - 8		
V356-000430	9 - 20	X122-000340	10 - 6		
V376-000450	9 - 24	X222-000140	10 - 7		
V400-000070	8 - 13	X490-000510	10 - 1		
V450-000070	9 - 23	X502-000340	9 - 28		
V451-000470	9 - 7	X502-000410	7 - 13		
V451-001411	4 - 4	X503-012640	4 - 15		
V452-000010	8 - 18	X505-002441	2 - 38		
V452-001380	9 - 21	X505-007710	6 - 13		
V470-001910	4 - 9	X505-007760	2 - 39		
V471-000740	1 - 16	X602-000080	10 - 2		
V471-002290	2 - 26	X605-000170	10 - 5		
V471-003380	2 - 32				
V471-003390	2 - 35				
V471-003400	2 - 31				
V471-003410	2 - 34				
V475-001900	3 - 17				
V475-002390	3 - 16				
V485-002430	3 - 18				
V485-002441	8 - 3				
V486-000371	8 - 2				
V490-001230	1 - 18				
V490-001240	2 - 28				
V505-000011	1 - 11				
V553-000130	1 - 7				
V555-000170	9 - 2				
V651-000001	9 - 12				
V651-000011	9 - 13				
V652-000030	1 - 14				
V804-000000	2 - 6				
V804-000000	9 - 15				
V804-000000	9 - 17				
V804-000010	8 - 6				
V804-000050	1 - 13				
V804-000060	7 - 12				
V805-000010	2 - 8				
V805-000010	2 - 14				
V805-000010	2 - 17				
V805-000010	6 - 11				
V805-000010	8 - 9				
V805-000080	4 - 2				
V805-000140	2 - 12				
V805-000140	4 - 7				
V805-000150	6 - 12				
V805-000180	2 - 3				
V805-000210	1 - 2				

YAMABIKO CORPORATION

7-2 SUEHIROCHO 1-CHOME, OHME, TOKYO 198-8760, JAPAN
PHONE: 81-428-32-6118. FAX: 81-428-32-6145.



-15C
No. 06-246