

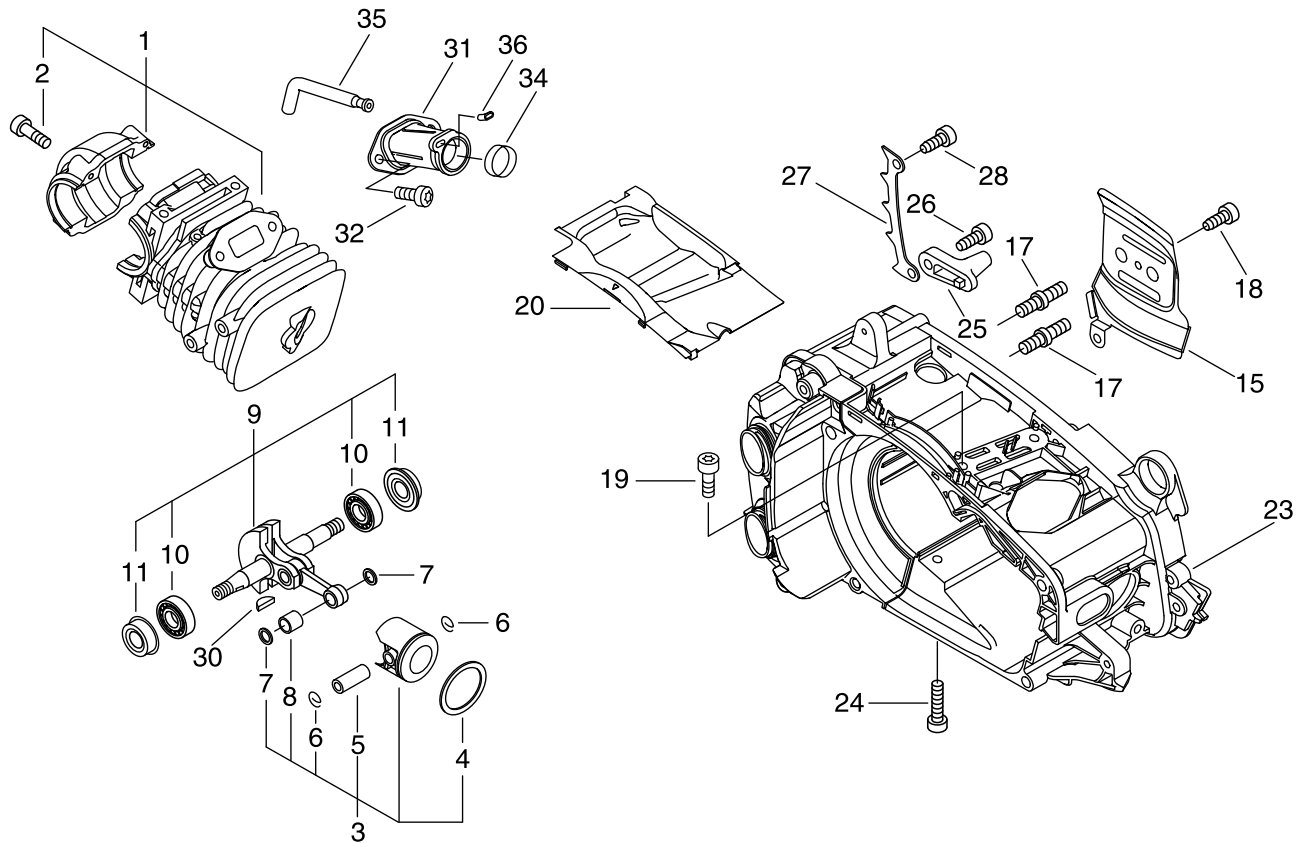


PARTS CATALOGUE

TOP HANDLE SAW CS-355T(13)

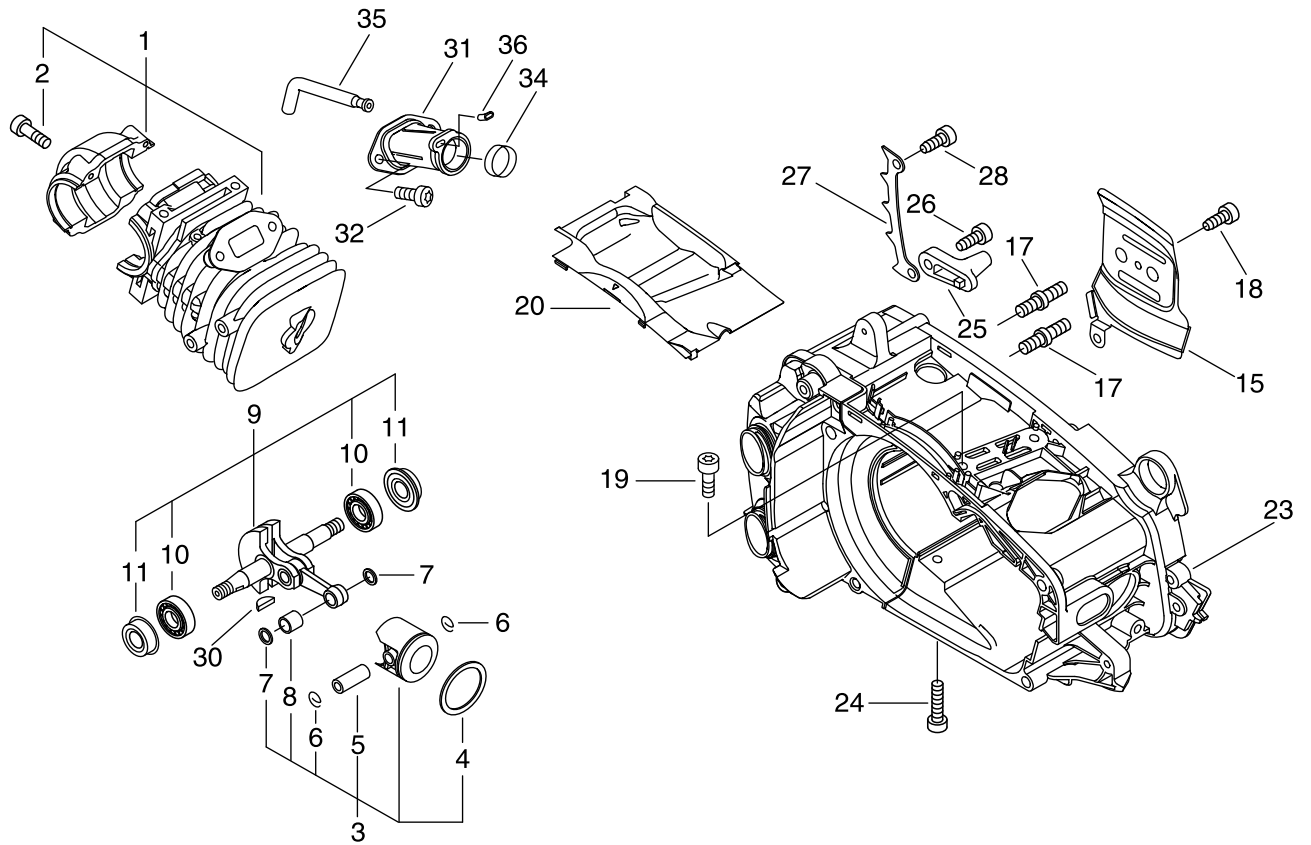
13000001 -

1. CYLINDER, CRANKCASE, PISTON



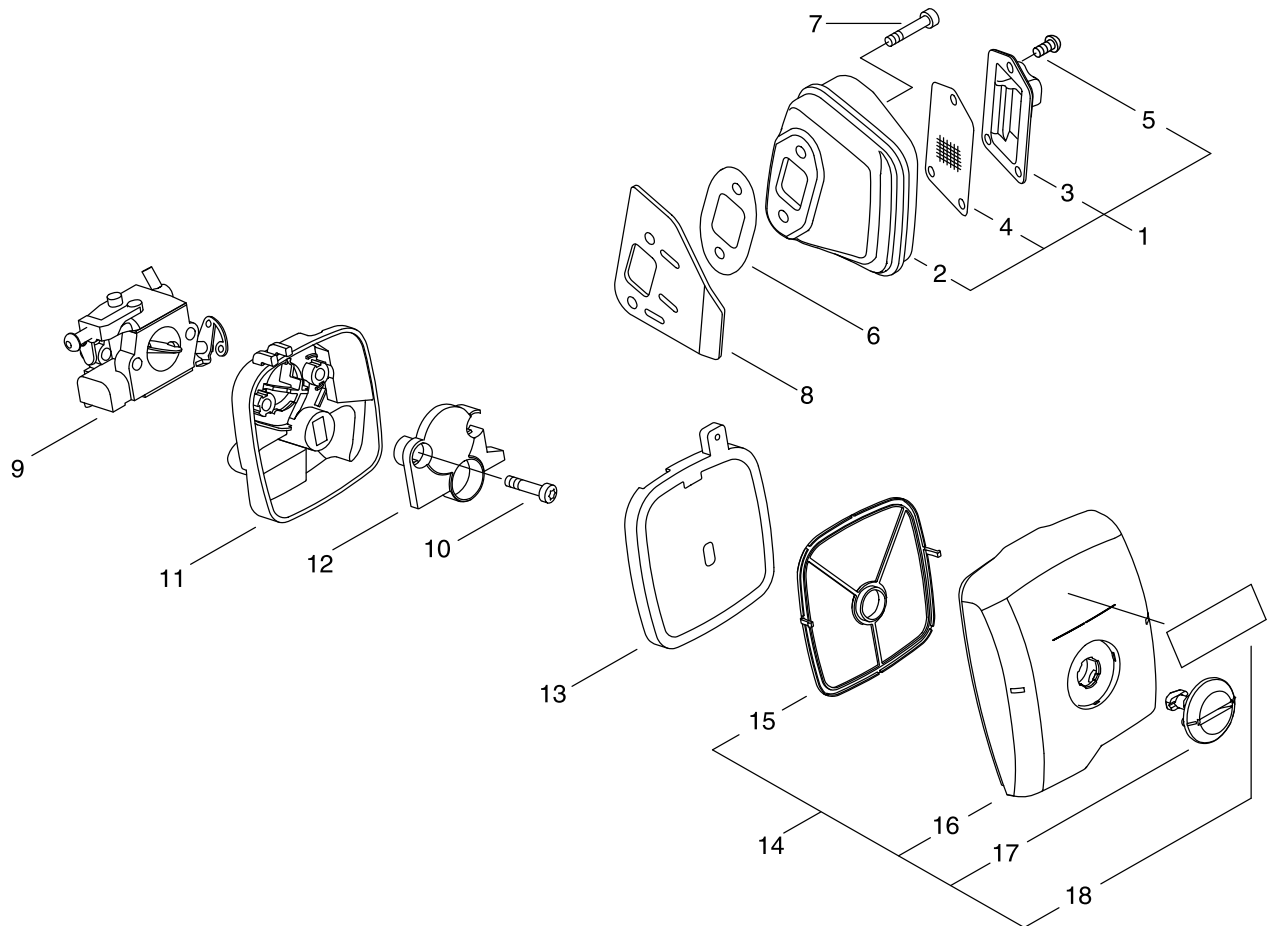
KEY	LV	PART NUMBER	Q'TY	DESCRIPTION	REMARKS	NOTE1	NOTE2
1		P021-041760	1	CRANKCASE SET			
2	+	V805-000210	4	BOLT, TORX 5	TB-5*20 12.9		
3		P021-041770	1	PISTON KIT			
4	+	A101-000650	1	RING, PISTON	39*1.2*1.8		
5	+	100013-15330	1	PIN, PISTON	5.5*8*29		
6	+	100015-04630	2	CIRCLIP, PISTON PIN			
7	+	100014-60930	2	SPACER, PISTON PIN			
8	+	V553-000130	1	BEARING, NEEDLE 8			
9		P021-039160	1	CRANKSHAFT ASY			
10	+	94035-36201	2	BEARING BALL	6201X3JR2C3		
11	+	V505-000011	2	SEAL, OIL 12	12*32*5.5		
15		C305-000430	1	PLATE, SPROCKET GUARD			
17		V225-000260	2	BOLT, STUD 8			
18		V804-000000	1	BOLT, TORX 4	TT-4*12 DG 10.9		
19		V805-000210	2	BOLT, TORX 5	TB-5*20 12.9		
20		A127-000370	1	COVER, DUST			
23		A190-001150	1	COVER, ENGINE			
24		V805-000180	2	BOLT, TORX 5	TB-5*30 12.9		
25		433026-35430	1	CATCHER, CHAIN			
26		V805-000010	1	BOLT, TORX 5	TT-5*20 DG 10.9		
27		C304-000000	1	SPIKE			
28		V805-000000	1	BOLT, TORX 5	TT-5*16 DG 10.9		
30		100142-12330	1	KEY, WOODRUFF			

1. CYLINDER, CRANKCASE, PISTON



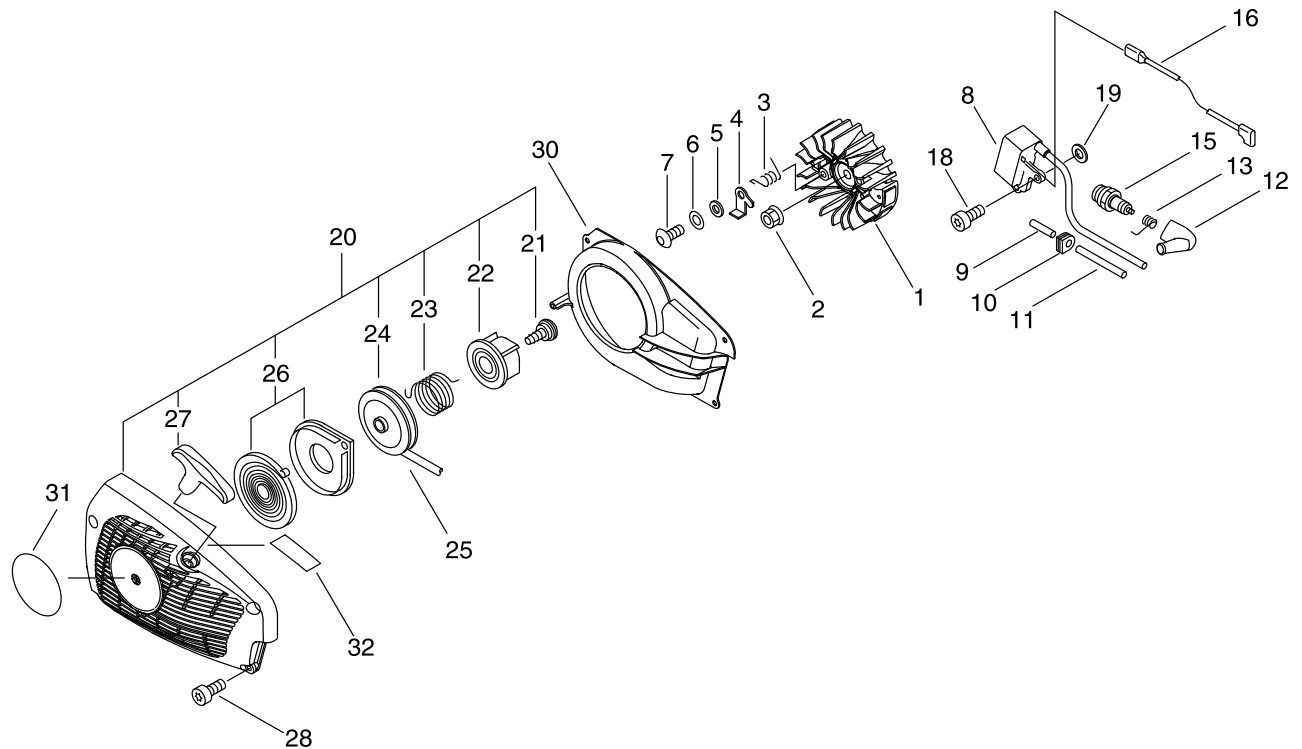
KEY	LV	PART NUMBER	Q'TY	DESCRIPTION	REMARKS	NOTE1	NOTE2
31		A202-000230	1	BELLOWS, INTAKE			
32		V805-000140	2	BOLT, TORX 5	TB-5*12 10.9		
34		V451-001310	1	SPRING, TENSION			
35		V470-001910	1	PIPE			
36		V351-000000	1	COLLAR, 3	3.2*6.5		

2. AIR CLEANER, MUFFLER



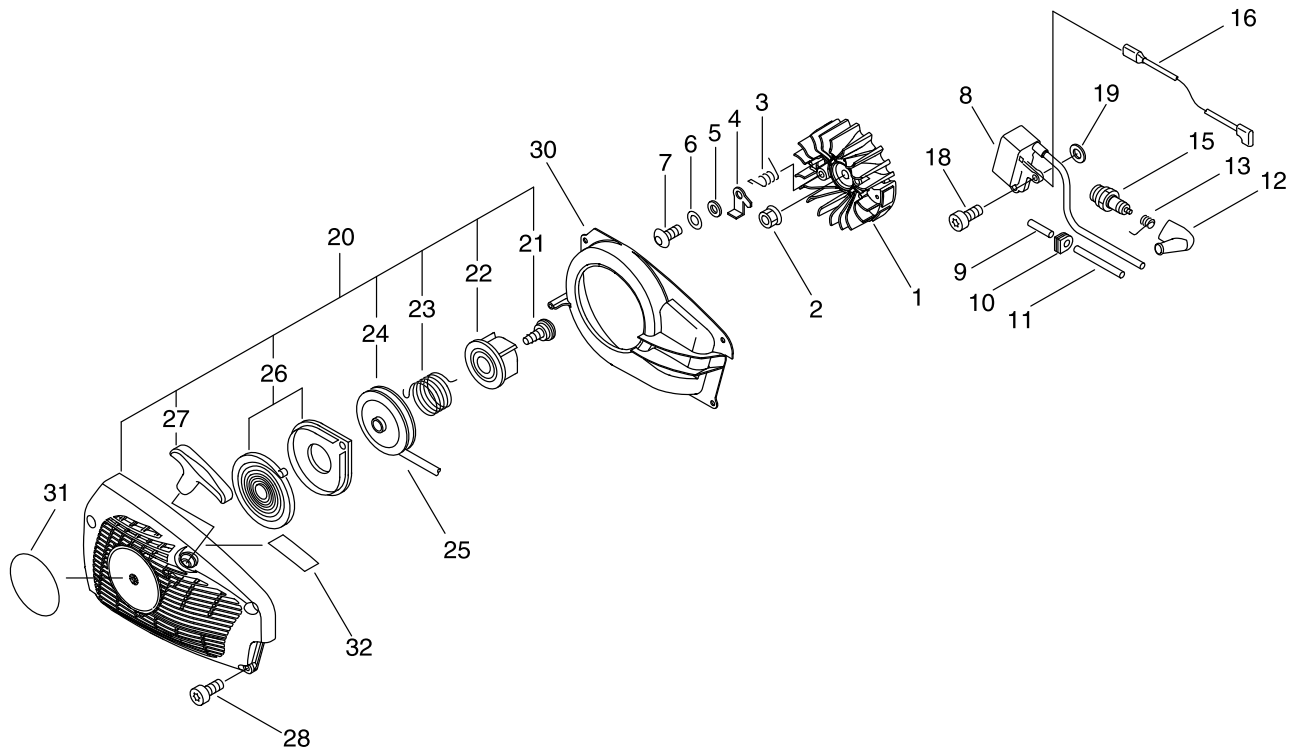
KEY	LV	PART NUMBER	Q'TY	DESCRIPTION	REMARKS	NOTE1	NOTE2
1		P021-041790	1	MUFFLER ASY			
2	+	A300-001720	1	MUFFLER, EXHAUST	T:0.6		
3	+	A313-001930	1	GUIDE, EXHAUST			
4	+	A310-000431	1	SCREEN, ARRESTOR			
5	+	900242-04010	3	SCREW 4*10	4*10		
6		V104-001960	1	GASKET, EXHAUST			
7		V805-000270	2	BOLT, TORX 5	TB-5*40 12.9		
8		A312-000070	1	PLATE, EXHUST			
9		A021-003680	1	CARBURETOR, DIAPHRAGM	WT-???		
10		V805-000080	2	BOLT, TORX 5	TB-5*50 10.9		
11		A225-000611	1	CASE, CLEANER			
12		A244-000280	1	PLATE, PREVENT			
13		A226-001660	1	ELEMENT, AIR FILTER			
14		P021-042612	1	AIR CLEANER LID ASY			
15	+	A228-000030	1	SEAL, CLEANER			
16	+	A232-001651	1	LID, CLEANER			
17	+	A235-000360	1	KNOB, CLEANER LID			
18	+	X503-011080	1	LABEL, MODEL	CS-355T		

3. STARTER, MAGNETO



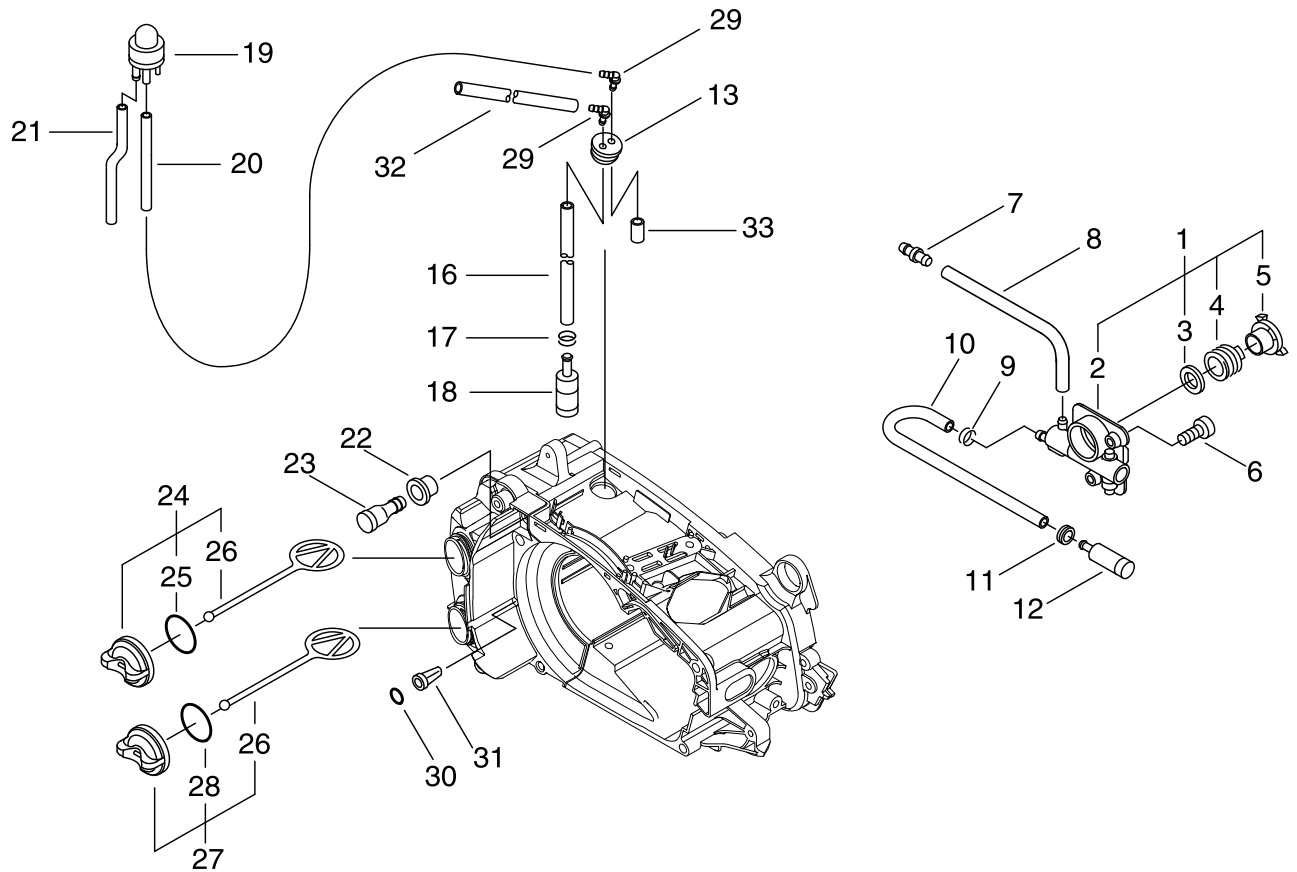
KEY	LV	PART NUMBER	Q'TY	DESCRIPTION	REMARKS	NOTE1	NOTE2
1		A409-001240	1	ROTOR, MAGNETO			
2		900515-00008	1	NUT, FLANGE 8	8		
3		177234-35430	2	SPRING, RETURN			
4		A514-000270	2	PAWL			
5		177247-04630	2	SPACER, RATCHET	5.2*8*2.1		
6		900603-00005	2	WASHER 5	5.5*12*0.8		
7		V203-000080	2	BOLT,5	5*14		
8		A411-001400	1	COIL, IGNITION			
9		V475-001900	1	TUBE	7*8.6*30		
10		156110-04920	1	BUSHING			
11		V475-002390	1	TUBE			
12		A427-000013	1	CAP, SPARK PLUG			
13		A426-000010	1	TERMINAL, SPARKPLUG			
15		A425-000000	1	SPARKPLUG	BPMR8Y		
16		V485-002430	1	LEAD			
18		V805-000210	2	BOLT, TORX 5	TB-5*20 12.9		
19		150117-16430	2	SPACER			
20		A051-002510	1	STARTER, RECOIL ASY			
21	+	177236-61830	1	SCREW			
22	+	A507-000130	1	CATCHER, PAWL			
23	+	V452-001390	1	SPRING, TORSION			
24	+	A506-000470	1	REEL, ROPE			
25	+	P022-008440	1	ROPE, STARTER	3.5*900		
26	+	P022-001330	1	SPRING KIT, REWIND			
27	+	P022-005891	1	GRIP, STARTER			
28		V804-000060	4	BOLT, TORX 4	TB-4*16 10.9		

3. STARTER, MAGNETO



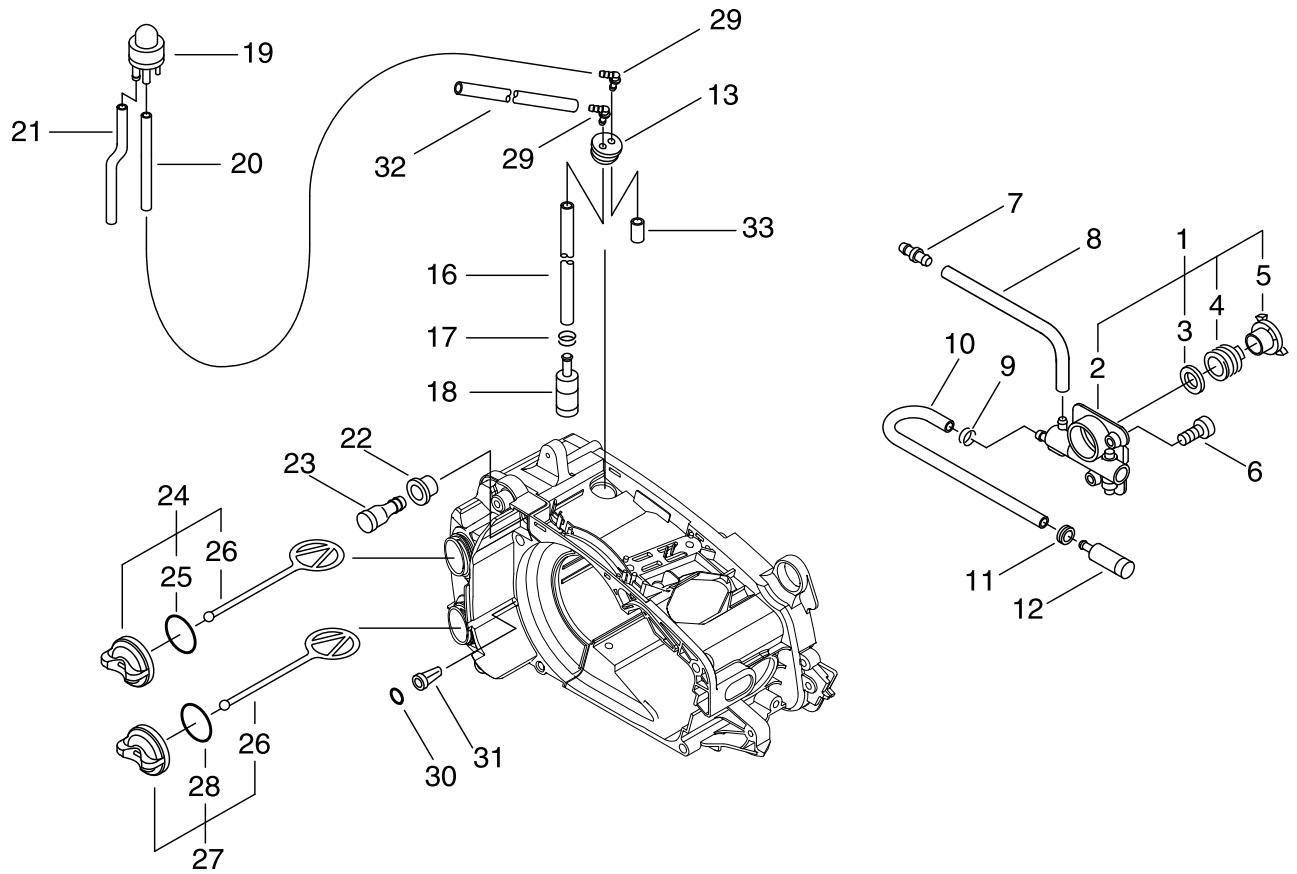
KEY	LV	PART NUMBER	Q'TY	DESCRIPTION	REMARKS	NOTE1	NOTE2
30		A172-002090	1	COVER,FAN			
31		X502-000410	1	LABEL,ECHO			
32		X505-006660	1	LABEL,CAUTION			

4. AUTO-OILER



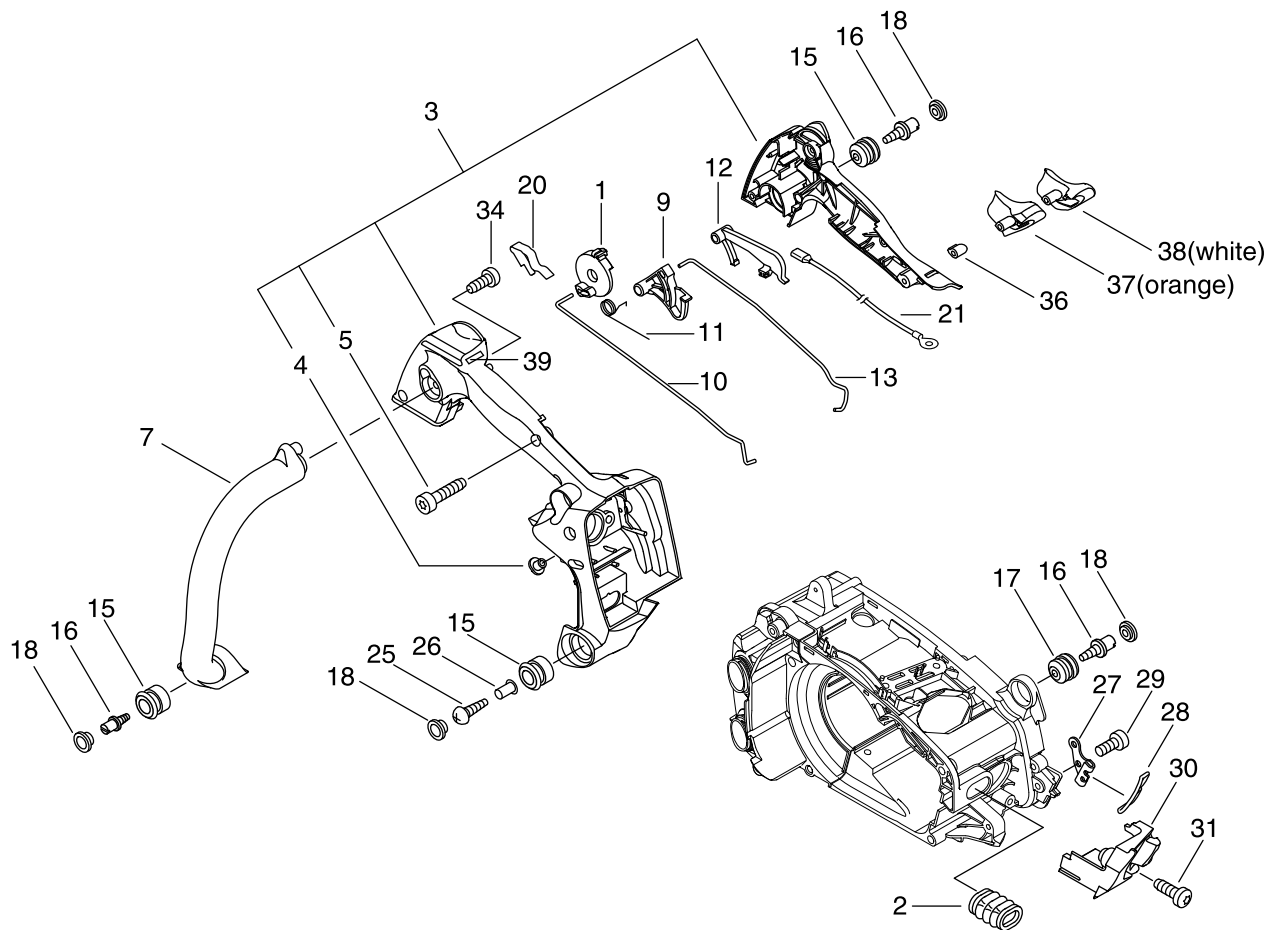
KEY	LV	PART NUMBER	Q'TY	DESCRIPTION	REMARKS	NOTE1	NOTE2
1		P021-010890	1	AUTO-OILER ASY			
2	+	C022-000020	1	AUTO-OILER ASSEMBLY			
3	+	V308-000030	1	WASHER,CIRCULAR 11	10.5*17.4*1.8		
4	+	V652-000030	1	GEAR,WORM			
5	+	V356-000290	1	COLLAR,10			
6		V804-000050	2	BOLT, TORX 4	TB-4*12 10.9		
7		V187-000010	1	NIPPLE			
8		132012-11960	1	PIPE 3* 6* 45	3*6*45 NBR		
9		V490-001230	1	CLIP			
10		V471-000740	1	PIPE			
11		132115-01461	1	GROMMET			
12		436205-02832	1	STRAINER, OIL			
13		132115-44330	1	GROMMET			
16		V471-002290	1	PIPE	3*5*140		
17		V490-001240	1	CLIP			
18		131205-14931	1	STRAINER,FUEL			
19		123181-39130	1	PUMP, PRIMER			
20		V471-003380	1	PIPE	2.4*5*400		
21		V471-003400	1	PIPE	2.4*5*180		
22		V137-000000	1	GROMMET,FUEL			
23		131300-56431	1	VENT ASSEMBLY, FUEL			
24		P021-038080	1	FUEL CAP ASY			
25	+	V581-000590	1	RING,O	P18		
26	+	A365-000050	1	CONNECTOR,CAP			
27		P021-005581	1	OIL CAP ASY			

4. AUTO-OILER



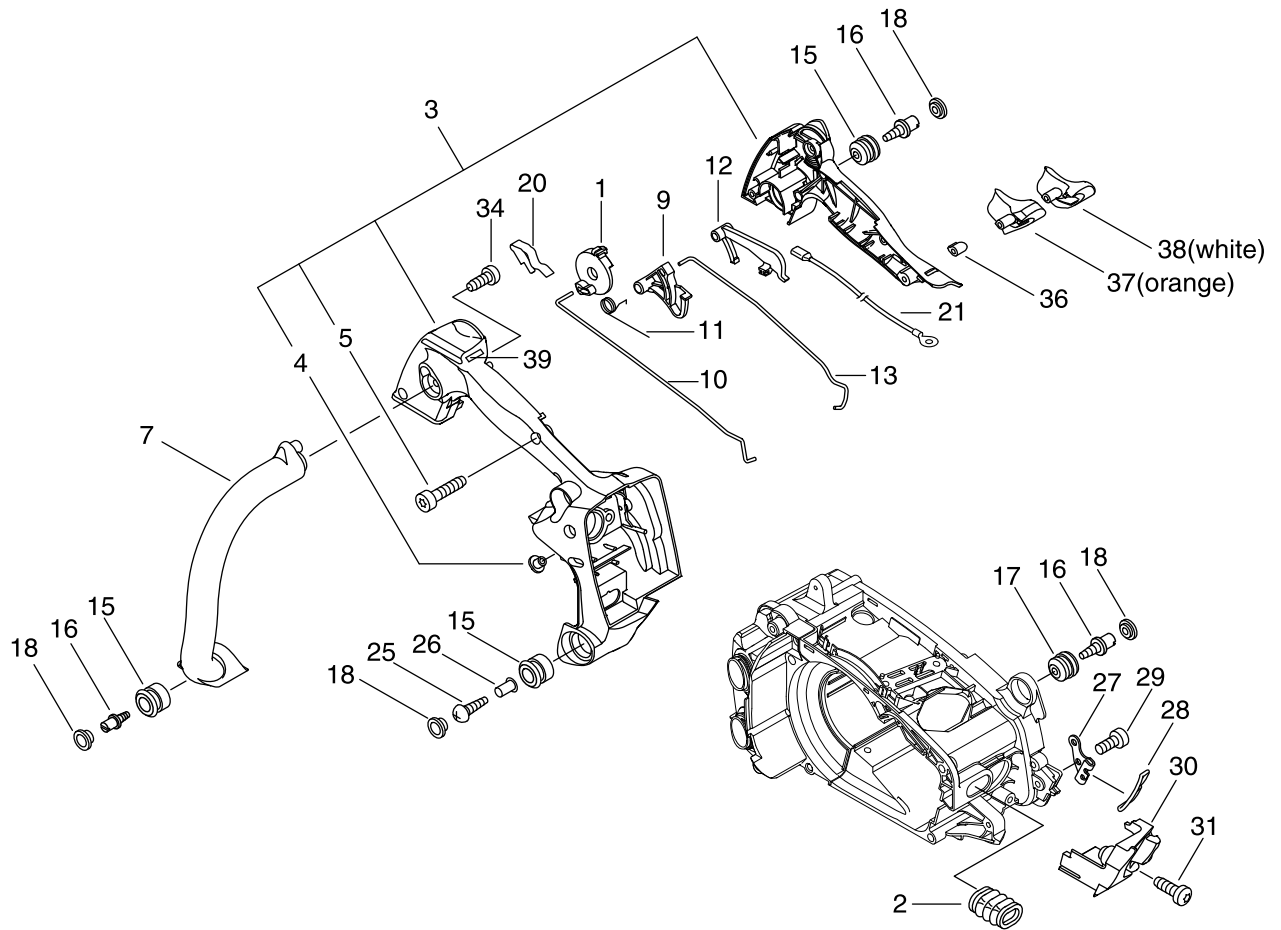
KEY	LV	PART NUMBER	Q'TY	DESCRIPTION	REMARKS	NOTE1	NOTE2
26	+	A365-000050	1	CONNECTOR,CAP			
28	+	900720-00018	1	O-RING 18	P-18		
29		V186-000530	2	JOINT,PIPE			
30		900724-00004	1	O-RING (S-4)	S-4		
31		436114-13930	1	VALVE, CHECK			
32		V471-004150	1	PIPE	3*5*265		
33		V471-003390	1	PIPE	2.4*5*15		

5. HANDLE



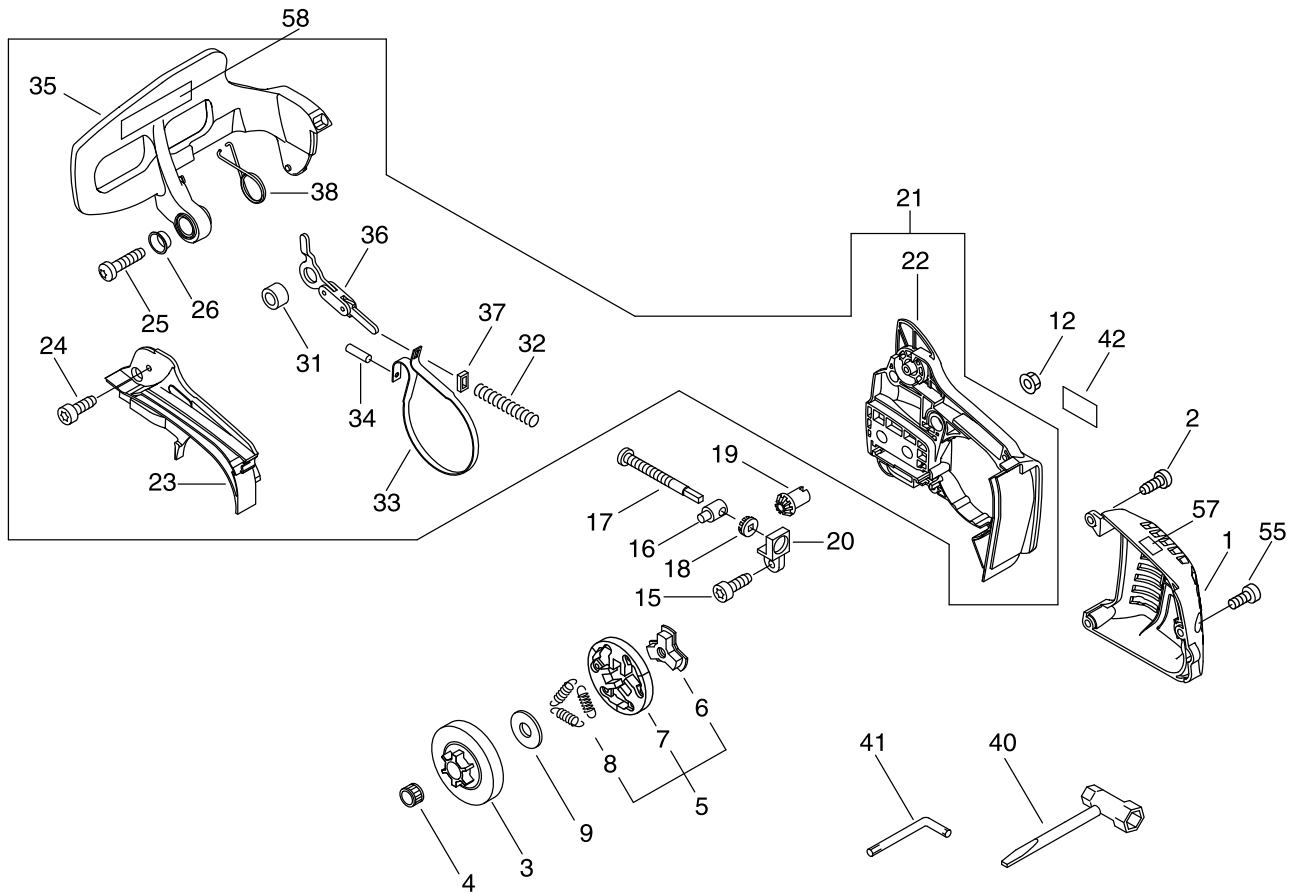
KEY	LV	PART NUMBER	Q'TY	DESCRIPTION	REMARKS	NOTE1	NOTE2
1		A253-000090	1	LEVER, CONTROL			
2		A239-000000	1	PIPE,INTAKE			
3		P021-041820	1	HANDLE SET, REAR			
4	+	130020-33330	2	NUT			
5	+	V804-000010	4	BOLT, TORX 4	TT-4*16 DG 10.9		
7		C400-001150	1	HANDLE, FRONT			
9		C450-000730	1	CONTROL, THROTTLE			
10		C454-000491	1	ROD, THROTTLE			
11		V452-000010	1	SPRING,TORSION			
12		C460-000002	1	LOCKOUT,THROTTLE			
13		A240-000200	1	ROD, CHOKE			
15		V400-000070	3	CUSHION,4			
16		V202-000000	3	BOLT,4			
17		100910-18830	1	CUSHION			
18		100918-15130	4	CAP			
20		V486-000370	1	TERMINAL,LEAD			
21		V485-002441	1	LEAD			
25		91481-04035	1	SCREW TAPPING			
26		V352-000020	1	COLLAR,4			
27		C626-000070	1	FIXTURE, HARNESS			
28		C646-000100	1	RING, HARNESS			
29		V805-000140	1	BOLT, TORX 5	TB-5*12 10.9		
30		A429-000160	1	COVER,CAP			
31		V805-000010	1	BOLT, TORX 5	TT-5*20 DG 10.9		

5. HANDLE



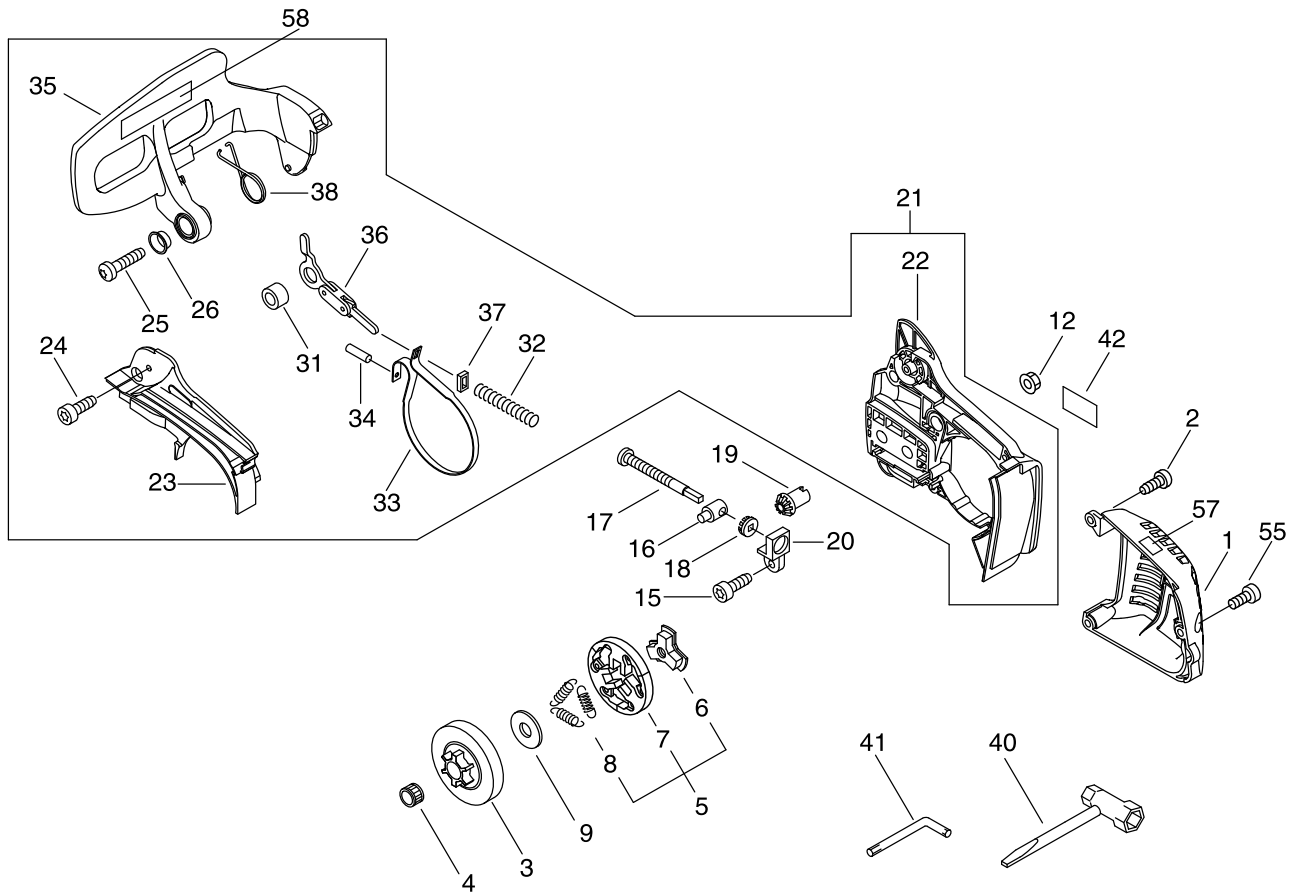
KEY	LV	PART NUMBER	Q'TY	DESCRIPTION	REMARKS	NOTE1	NOTE2
34		V805-000010	1	BOLT, TORX 5	TT-5*20 DG 10.9		
36		C401-000310	1	PIECE,HANDLE			
37		C401-000320	1	PIECE,HANDLE			
38		C401-000300	1	PIECE,HANDLE			
39		890157-37330	1	LABEL, SWITCH			

6. CLUTCH



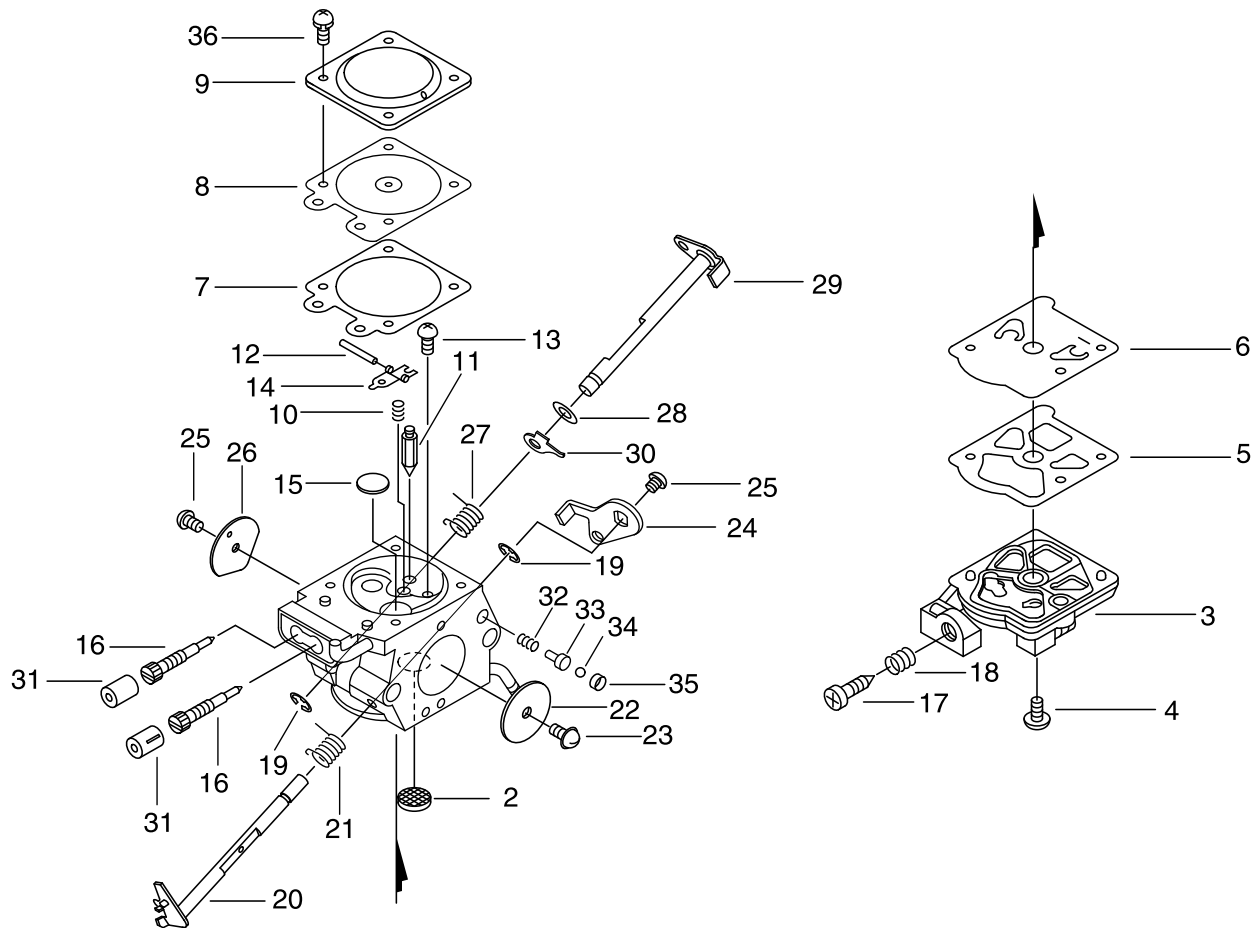
KEY	LV	PART NUMBER	Q'TY	DESCRIPTION	REMARKS	NOTE1	NOTE2
1		A320-000940	1	COVER,MUFFLER			
2		V805-000010	2	BOLT, TORX 5	TT-5*20 DG 10.9		
3		175005-39133	1	DRUM, CLUTCH			
4		V555-000150	1	BEARING, NEEDLE			
5		A056-000070	1	CLUTCH			
6	+	A552-000020	1	HUB, CLUTCH			
7	+	P021-005810	1	CLUTCH SHOE SET			
8	+	V451-000470	3	SPRING, TENSION			
9		A551-000010	1	PLATE, CLUTCH			
12		V265-000200	2	NUT			
15		V804-000000	1	BOLT, TORX 4	TT-4*12 DG 10.9		
16		C309-000030	1	TENSIONER, CHAIN			
17		V203-000041	1	BOLT, 5			
18		V651-000011	1	GEAR, BEVEL			
19		V651-000001	1	GEAR, BEVEL			
20		V355-000140	1	COLLAR, 8			
21		P021-042600	1	BRAKE, ASM CHAIN			
22	+	C300-000950	1	GUARD, SPROCKET			
23	+	C345-000520	1	COVER, BRAKE			
24	+	V804-000000	3	BOLT, TORX 4	TT-4*12 DG 10.9		
25	+	V805-000240	1	BOLT, TORX 5	TT-5*12 DG 10.9		
26	+	V356-000430	1	COLLAR, 10			

6. CLUTCH



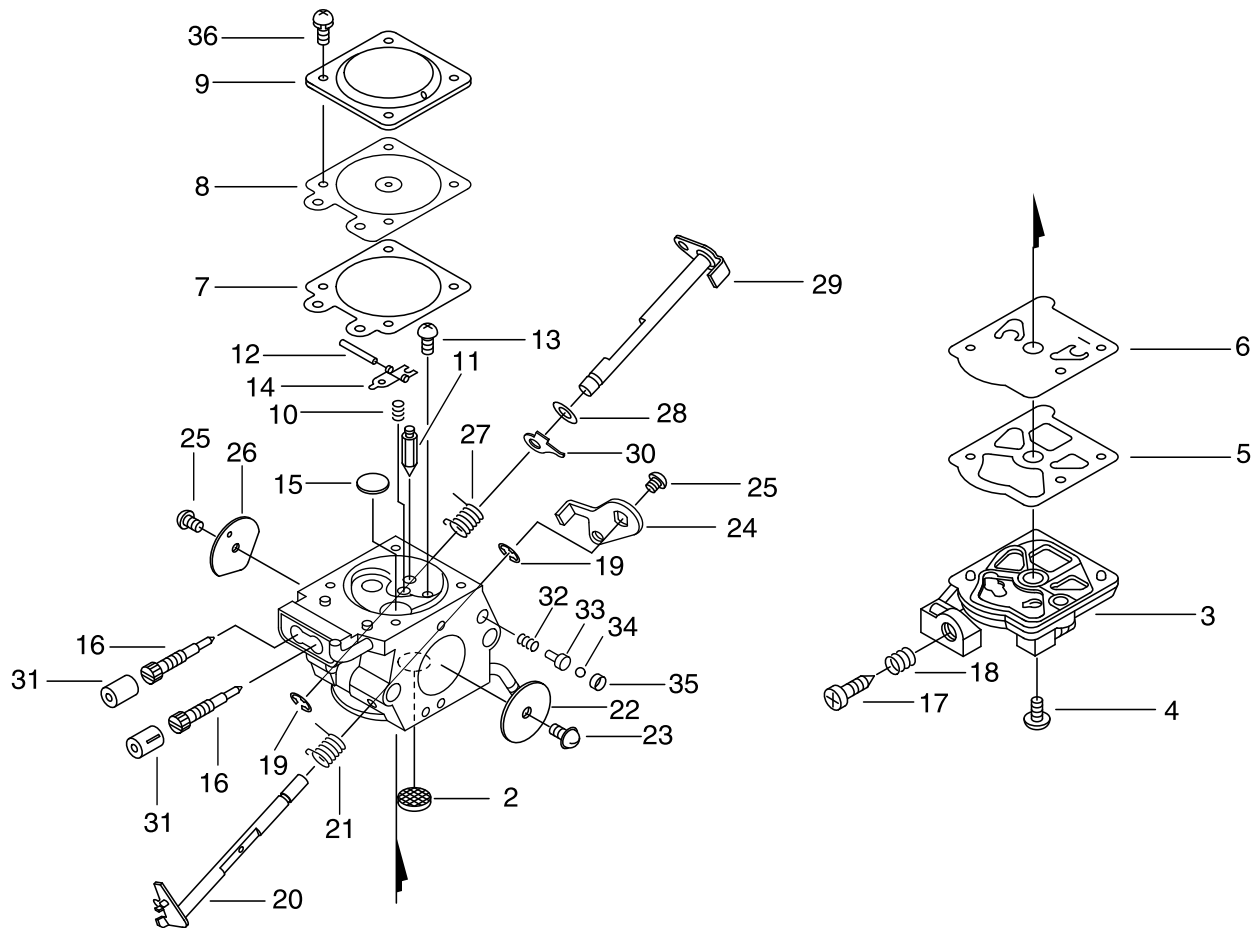
KEY	LV	PART NUMBER	Q'TY	DESCRIPTION	REMARKS	NOTE1	NOTE2
31	+	433116-35430	1	SPACER 8	8*12*9		
32	+	V450-000070	1	SPRING, COMPRESSION			
33	+	C328-000310	1	BAND, BRAKE			
34	+	93050-30098	1	ROLLER	F3*9.8		
35	+	C320-000501	1	LEVER, BRAKE			
36	+	C334-000290	1	CONNECTOR, BRAKE			
37	+	V376-000450	1	SPACER			
38	+	V452-001380	1	SPRING, TORSION			
40		X602-000080	1	TOOL, WRENCH	13*19 L180		
41		X605-000170	1	TOOL, L WRENCH			
42		X502-000340	1	LABEL, ECHO	ECHO(WHITE)		
55		V805-000150	1	BOLT, TORX 5	TB-5*16 10.9		
57		X505-002310	1	LABEL, CAUTION	HOT CAUTION		
58		X524-004570	1	LABEL			

7. CARBURETOR



KEY	LV	PART NUMBER	Q'TY	DESCRIPTION	REMARKS	NOTE1	NOTE2
		A021-003680	1	CARBURETOR,DIAPHRAGM	WT-???		
2	+	123126-10631	1	SCREEN, INLET			
3	+	123124-24430	1	COVER, FUEL PUMP			
4	+	123110-03930	1	SCREW, PUMP COVER			
5	+	123125-15030	1	GASKET, FUEL PUMP			
6	+	123112-15030	1	DIAPHRAGM, FUEL PUMP			
7	+	123140-03930	1	GASKET, M. DIAPHRAGM			
8	+	P003-001850	1	DIAPHRAGM, METERING			
9	+	123142-03930	1	COVER, M. DIAPHRAGM			
10	+	123122-39830	1	SPRING, METER. LEVER			
11	+	123137-19830	1	VALVE, INLET NEEDLE			
12	+	123138-03930	1	PIN, METERING LEVER			
13	+	123139-03930	1	SCREW, M. LEVER PIN			
14	+	123123-03930	1	LEVER, METERING			
15	+	123146-10631	1	PLUG, WELCH			
16	+	123118-02261	2	NEEDLE			
17	+	123134-04260	1	SCREW, IDLE ADJUST			
18	+	123133-04260	1	SPRING, IDLE ADJUST			
19	+	123127-15030	2	RING			
20	+	P003-005060	1	SHAFT ASY, THROTTLE			
21	+	123113-37530	1	SPRING, THROTTLE RTN			
22	+	P003-005070	1	VALVE, THROTTLE			
23	+	P003-002380	1	SCREW			
24	+	P003-005080	1	LEVER, THROTTLE			
25	+	123114-38830	2	SCREW			
26	+	P003-001790	1	VALVE, CHOKE			

7. CARBURETOR



KEY	LV	PART NUMBER	Q'TY	DESCRIPTION	REMARKS	NOTE1	NOTE2
27	+	P003-002260	1	SPRING			
28	+	123149-26030	1	WASHER			
29	+	P003-001140	1	SHAFT, CHOKE			
30	+	P003-001510	1	LEVER-FAST IDLE			
31	+	P003-000010	2	LIMITER CAP			
32	+	123186-09660	1	SPRING, START VALVE			
33	+	123185-09660	1	PISTON ASSY			
34	+	123136-09660	1	BALL			
35	+	P003-005090	1	PLUG CUP			
36	+	123130-02960	4	SCREW			

8. ガイドバー・チェーン

GUIDE BAR		CHAIN		GUARD	
1A	14A0ED3752	2A	91PX-52E	3A	432602-13930
1B	16A0ED3757	2B	91PX-57E	3B	432602-13930
		2C	91VG52E		
		2D	91VG57E		

KEY	LV	PART NUMBER	Q'TY	DESCRIPTION	REMARKS	NOTE1	NOTE2
1A		X123-000180	1	BAR,GUIDE 35	14A0ED3752		
2A		X223-000070	1	CHAIN,SAW	91PX-52E		
3A		432602-13930	1	GUARD, KICK			
1B		X124-000130	1	BAR,GUIDE 40	16A0ED3757		
2B		X224-000080	1	CHAIN,SAW	91PX-57E		
2C		431019-39530	1	CHAIN, SAW 91VG-52E	91VG-52E 14		
2D		431011-39530	1	CHAIN, SAW 91VG-57E	91VG-57E 16		
3B		432602-13930	1	GUARD, KICK			

Index

Patrs Number	Key No.	Patrs Number	Key No.	Patrs Number	Key No.
100013-15330	1 - 5	436114-13930	4 - 31	C304-000000	1 - 27
100014-60930	1 - 7	436205-02832	4 - 12	C305-000430	1 - 15
100015-04630	1 - 6	890157-37330	5 - 39	C309-000030	6 - 16
100142-12330	1 - 30	900242-04010	2 - 5	C320-000501	6 - 35
100910-18830	5 - 17	900515-00008	3 - 2	C328-000310	6 - 33
100918-15130	5 - 18	900603-00005	3 - 6	C334-000290	6 - 36
123110-03930	7 - 4	900720-00018	4 - 28	C345-000520	6 - 23
123112-15030	7 - 6	900724-00004	4 - 30	C400-001150	5 - 7
123113-37530	7 - 21	91481-04035	5 - 25	C401-000300	5 - 38
123114-38830	7 - 25	93050-30098	6 - 34	C401-000310	5 - 36
123118-02261	7 - 16	94035-36201	1 - 10	C401-000320	5 - 37
123122-39830	7 - 10	A021-003680	2 - 9	C450-000730	5 - 9
123123-03930	7 - 14	A021-003680	7 -	C454-000491	5 - 10
123124-24430	7 - 3	A051-002510	3 - 20	C460-000002	5 - 12
123125-15030	7 - 5	A056-000070	6 - 5	C626-000070	5 - 27
123126-10631	7 - 2	A101-000650	1 - 4	C646-000100	5 - 28
123127-15030	7 - 19	A127-000370	1 - 20	P003-000010	7 - 31
123130-02960	7 - 36	A172-002090	3 - 30	P003-001140	7 - 29
123133-04260	7 - 18	A190-001150	1 - 23	P003-001510	7 - 30
123134-04260	7 - 17	A202-000230	1 - 31	P003-001790	7 - 26
123136-09660	7 - 34	A225-000611	2 - 11	P003-001850	7 - 8
123137-19830	7 - 11	A226-001660	2 - 13	P003-002260	7 - 27
123138-03930	7 - 12	A228-000030	2 - 15	P003-002380	7 - 23
123139-03930	7 - 13	A232-001651	2 - 16	P003-005060	7 - 20
123140-03930	7 - 7	A235-000360	2 - 17	P003-005070	7 - 22
123142-03930	7 - 9	A239-000000	5 - 2	P003-005080	7 - 24
123146-10631	7 - 15	A240-000200	5 - 13	P003-005090	7 - 35
123149-26030	7 - 28	A244-000280	2 - 12	P021-005581	4 - 27
123181-39130	4 - 19	A253-000090	5 - 1	P021-005810	6 - 7
123185-09660	7 - 33	A300-001720	2 - 2	P021-010890	4 - 1
123186-09660	7 - 32	A310-000431	2 - 4	P021-038080	4 - 24
130020-33330	5 - 4	A312-000070	2 - 8	P021-039160	1 - 9
131205-14931	4 - 18	A313-001930	2 - 3	P021-041760	1 - 1
131300-56431	4 - 23	A320-000940	6 - 1	P021-041770	1 - 3
132012-11960	4 - 8	A365-000050	4 - 26	P021-041790	2 - 1
132115-01461	4 - 11	A365-000050	4 - 26	P021-041820	5 - 3
132115-44330	4 - 13	A409-001240	3 - 1	P021-042600	6 - 21
150117-16430	3 - 19	A411-001400	3 - 8	P021-042612	2 - 14
156110-04920	3 - 10	A425-000000	3 - 15	P022-001330	3 - 26
175005-39133	6 - 3	A426-000010	3 - 13	P022-005891	3 - 27
177234-35430	3 - 3	A427-000013	3 - 12	P022-008440	3 - 25
177236-61830	3 - 21	A429-000160	5 - 30	V104-001960	2 - 6
177247-04630	3 - 5	A506-000470	3 - 24	V137-000000	4 - 22
431011-39530	8 - 2D	A507-000130	3 - 22	V186-000530	4 - 29
431019-39530	8 - 2C	A514-000270	3 - 4	V187-000010	4 - 7
432602-13930	8 - 3A	A551-000010	6 - 9	V202-000000	5 - 16
432602-13930	8 - 3B	A552-000020	6 - 6	V203-000041	6 - 17
433026-35430	1 - 25	C022-000020	4 - 2	V203-000080	3 - 7
433116-35430	6 - 31	C300-000950	6 - 22	V225-000260	1 - 17

Index

Patrs Number	Key No.	Patrs Number	Key No.	Patrs Number	Key No.
V265-000200	6 - 12	V805-000140	5 - 29		
V308-000030	4 - 3	V805-000150	6 - 55		
V351-000000	1 - 36	V805-000180	1 - 24		
V352-000020	5 - 26	V805-000210	1 - 2		
V355-000140	6 - 20	V805-000210	1 - 19		
V356-000290	4 - 5	V805-000210	3 - 18		
V356-000430	6 - 26	V805-000240	6 - 25		
V376-000450	6 - 37	V805-000270	2 - 7		
V400-000070	5 - 15	X123-000180	8 - 1A		
V450-000070	6 - 32	X124-000130	8 - 1B		
V451-000470	6 - 8	X223-000070	8 - 2A		
V451-001310	1 - 34	X224-000080	8 - 2B		
V452-000010	5 - 11	X502-000340	6 - 42		
V452-001380	6 - 38	X502-000410	3 - 31		
V452-001390	3 - 23	X503-011080	2 - 18		
V470-001910	1 - 35	X505-002310	6 - 57		
V471-000740	4 - 10	X505-006660	3 - 32		
V471-002290	4 - 16	X524-004570	6 - 58		
V471-003380	4 - 20	X602-000080	6 - 40		
V471-003390	4 - 33	X605-000170	6 - 41		
V471-003400	4 - 21				
V471-004150	4 - 32				
V475-001900	3 - 9				
V475-002390	3 - 11				
V485-002430	3 - 16				
V485-002441	5 - 21				
V486-000370	5 - 20				
V490-001230	4 - 9				
V490-001240	4 - 17				
V505-000011	1 - 11				
V553-000130	1 - 8				
V555-000150	6 - 4				
V581-000590	4 - 25				
V651-000001	6 - 19				
V651-000011	6 - 18				
V652-000030	4 - 4				
V804-000000	1 - 18				
V804-000000	6 - 15				
V804-000000	6 - 24				
V804-000010	5 - 5				
V804-000050	4 - 6				
V804-000060	3 - 28				
V805-000000	1 - 28				
V805-000010	1 - 26				
V805-000010	5 - 31				
V805-000010	5 - 34				
V805-000010	6 - 2				
V805-000080	2 - 10				
V805-000140	1 - 32				

YAMABIKO CORPORATION

7-2 SUEHIROCHO 1-CHOME, OHME, TOKYO 198-8760, JAPAN
PHONE: 81-428-32-6118. FAX: 81-428-32-6145.



12Kb
No. 04-474