

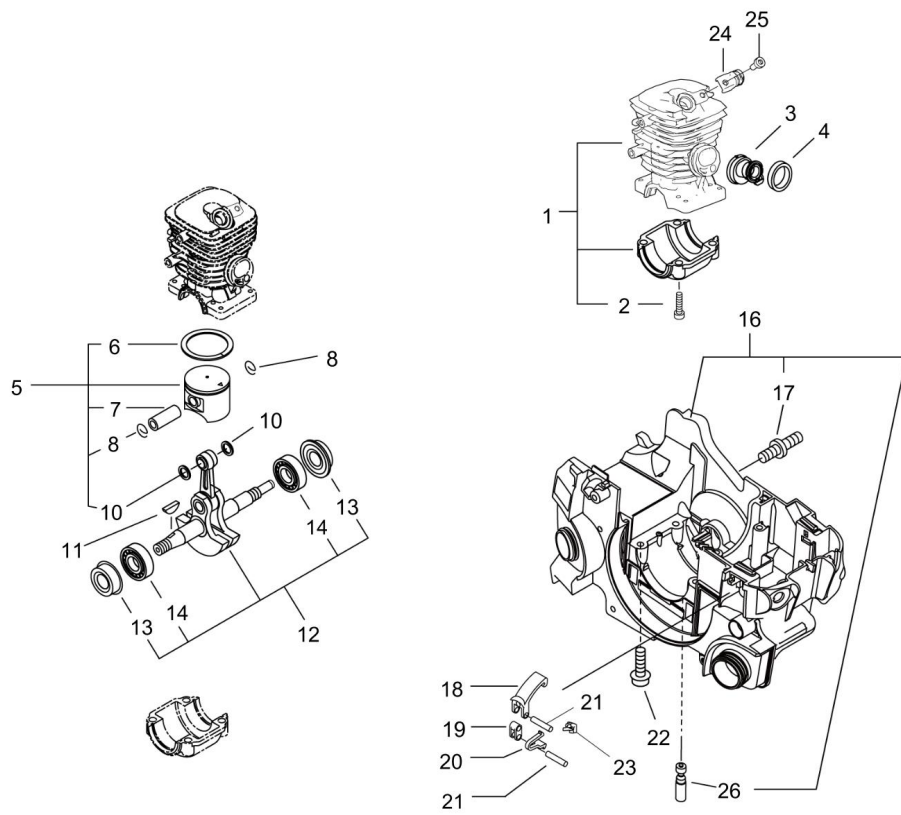
CS-352ES

Published:11/28/2017

TABLE OF CONTENTS

| | |
|-----------------------------------|----|
| CYLINDER, CRANKCASE, PISTON | 1 |
| MUFFLER | 3 |
| RECOIL STARTER, MAGNETO | 5 |
| AIR CLEANER, CARBURETOR..... | 7 |
| HANDLE | 9 |
| CLUTCH, SPROCKET..... | 11 |
| LABELS..... | 13 |
| CARBURETOR..... | 15 |
| TOOLS..... | 17 |
| GUIDE BAR, CHAIN | 19 |

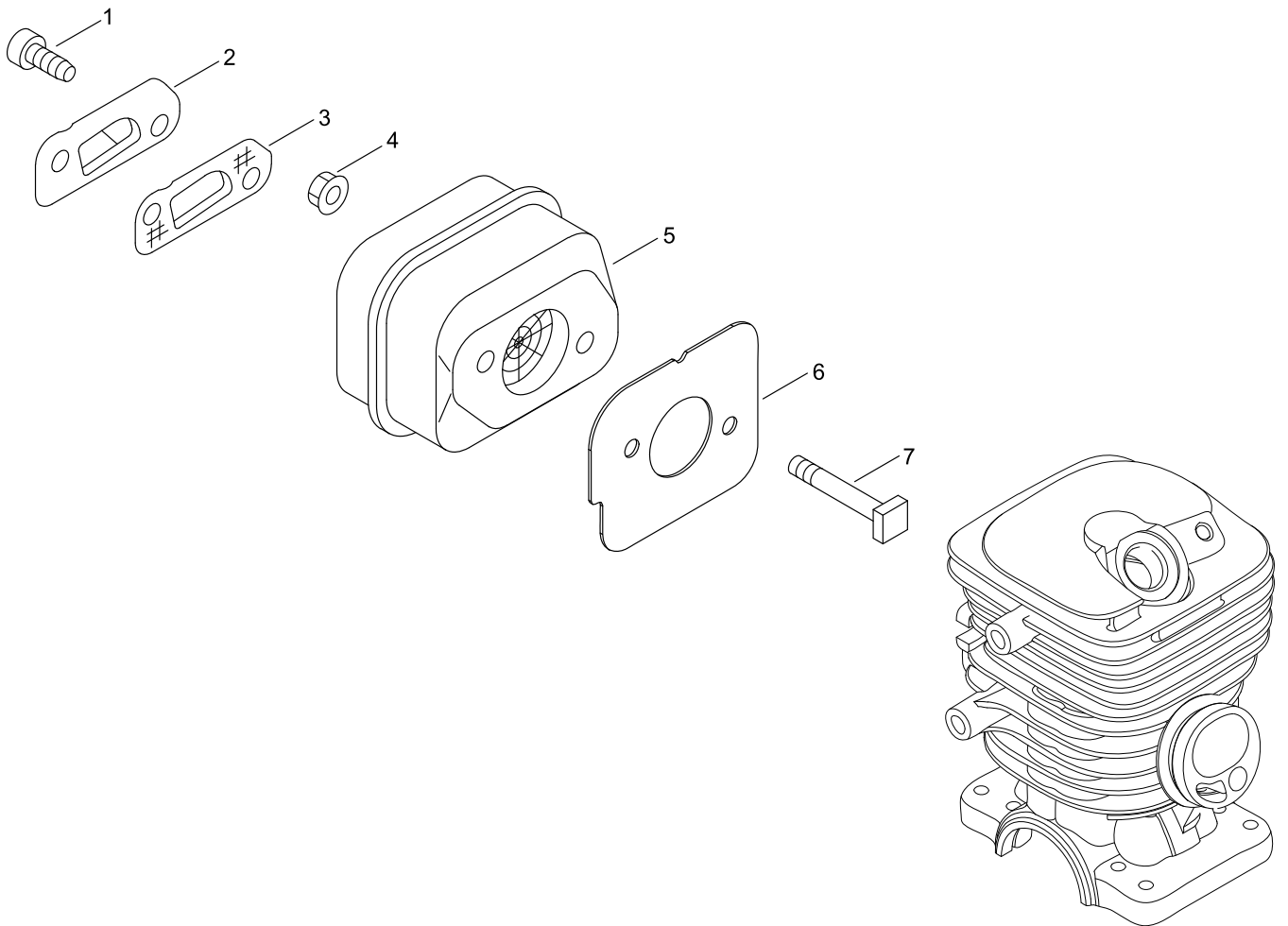
CYLINDER, CRANKCASE, PISTON



CYLINDER, CRANKCASE, PISTON

| KEY NO | LV(+) | Part No | Description | Qty | Standard | Comment |
|--------|-------|--------------|---------------------|-----|--------------|---------|
| 1 | | P021-035190 | CRANKCASE KIT | 1 | | |
| 2 | + | V805-000220 | BOLT, TORX 5 | 4 | TB-5*25 12.9 | |
| 3 | | A202-000070 | BELLOWS, INTAKE | 1 | | |
| 4 | | A206-000000 | HOLDER, BELLOWS | 1 | | |
| 5 | | P021-035200 | PISTON KIT | 1 | | |
| 6 | + | A101-000580 | RING, PISTON | 1 | | |
| 7 | + | 100013-15330 | PIN, PISTON | 1 | 5.5*8*29 | |
| 8 | + | 100015-04630 | CIRCLIP, PISTON PIN | 2 | | |
| 10 | + | 100014-11520 | SPACER, PISTON PIN | 2 | | |
| 11 | | 100142-12330 | KEY, WOODRUFF | 1 | | |
| 12 | | P021-015072 | CRANKSHAFT,ASSY | 1 | | |
| 13 | + | V505-000011 | SEAL,OIL 12 | 2 | 12*32*5.5 | |
| 14 | + | 94035-36201 | BEARING BALL | 2 | 6201X3JR2C3 | |
| 16 | | P021-036930 | COVER, ENGINE | 1 | | |
| 17 | + | V225-000030 | BOLT,STUD 8 | 2 | | |
| 26 | + | C022-000071 | AUTO-OILER ASSEMBLY | 1 | | |
| 18 | | C463-000030 | KNOB, LATCH | 2 | | |
| 19 | | J485-000200 | HINGE | 2 | | |
| 20 | | V490-000400 | CLIP | 2 | | |
| 21 | | V622-000070 | PIN,STRAIGHT 4 | 4 | F4*17.8 | |
| 22 | | V805-000180 | BOLT, TORX 5 | 4 | TB-5*30 12.9 | |
| 23 | | C617-000500 | STOPPER | 2 | | |
| 24 | | V456-000240 | HOLDER,SPRING | 1 | | |
| 25 | | V805-000140 | BOLT, TORX 5 | 1 | TB-5*12 10.9 | |

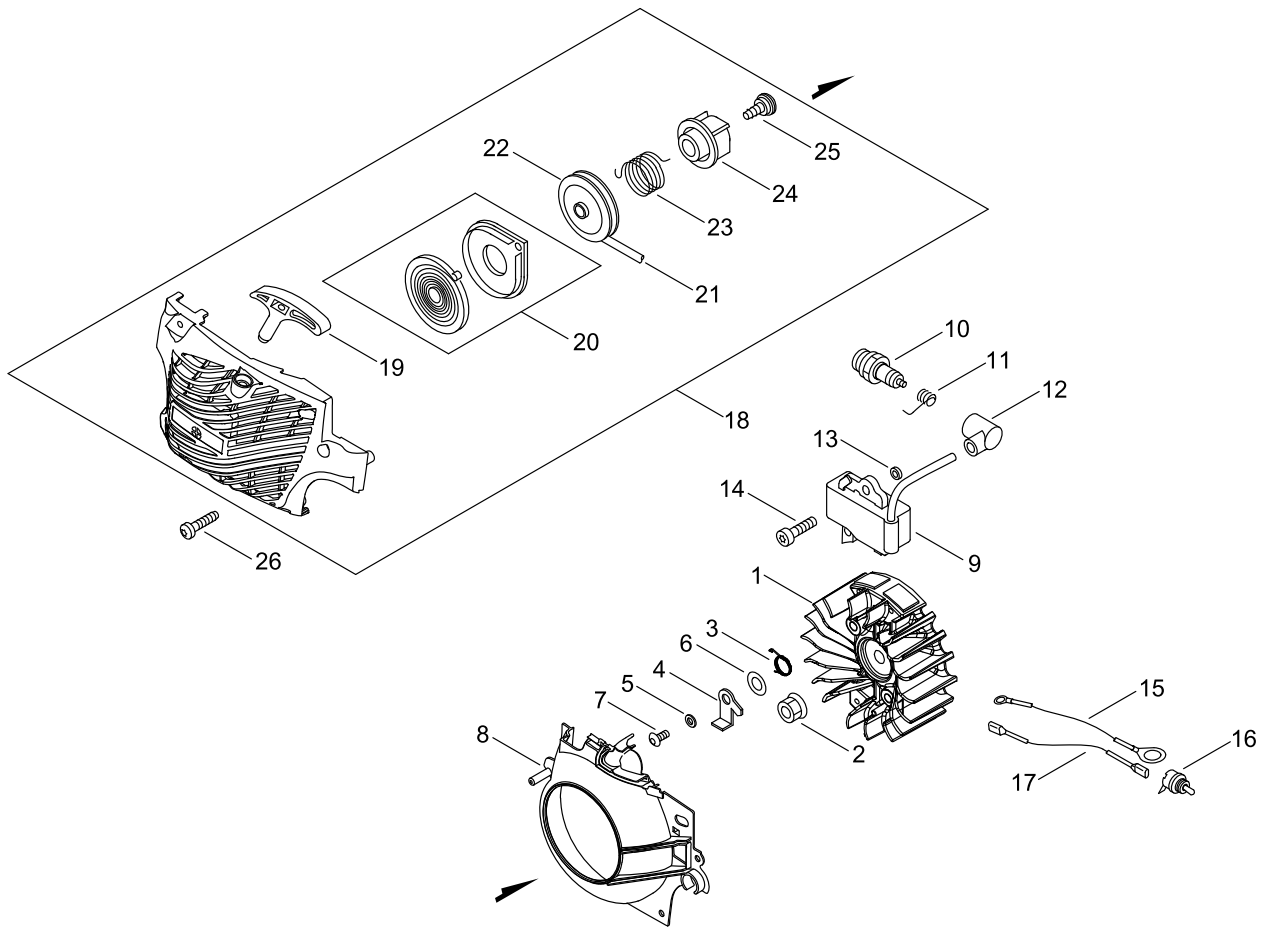
MUFFLER



MUFFLER

| KEY NO | LV(+) | Part No | Description | Qty | Standard | Comment |
|--------|-------|--------------|------------------|-----|-------------|---------|
| 1 | | V804-000030 | BOLT, TORX 4 | 2 | TB-4*8 10.9 | |
| 2 | | A313-001120 | GUIDE, EXHAUST | 1 | ID#1800 | |
| 3 | | A310-000060 | SCREEN, ARRESTOR | 1 | | |
| 4 | | 900516-00005 | NUT, FRANGE 5 | 2 | 5 | |
| 5 | | A300-000830 | MUFFLER, EXHAUST | 1 | | |
| 6 | | V104-000732 | GASKET,EXHAUST | 1 | | |
| 7 | | V203-000120 | BOLT,5 | 2 | L=60 | |

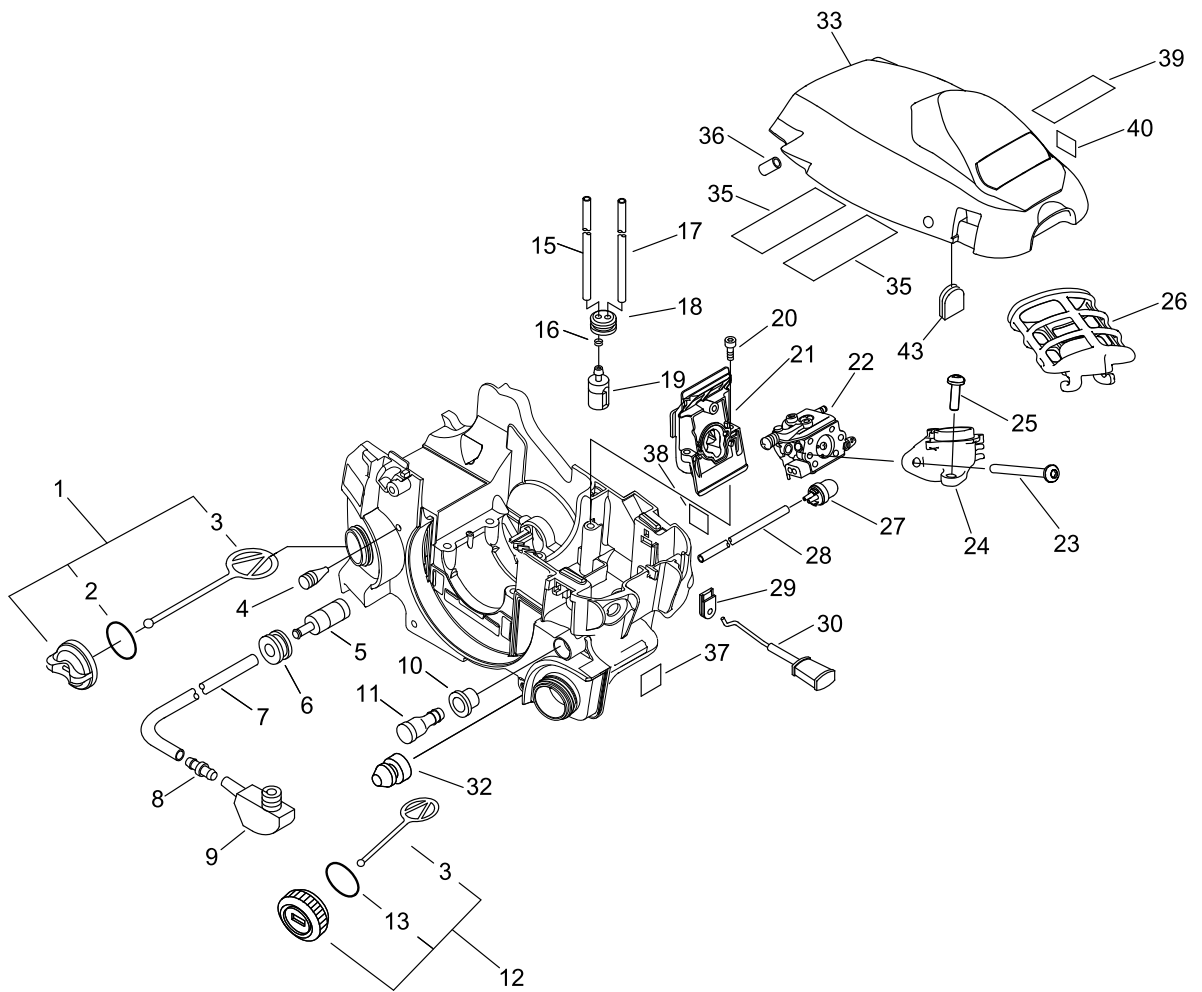
RECOIL STARTER, MAGNETO



RECOIL STARTER, MAGNETO

| KEY NO | LV(+) | Part No | Description | Qty | Standard | Comment |
|--------|-------|--------------|--------------------|-----|--------------------|---------|
| 1 | | A409-000350 | ROTOR, MAGNETO | 1 | WALBRO FW57 | |
| 2 | | 900515-00008 | NUT, FLANGE 8 | 1 | 8 | |
| 3 | | 177234-35430 | SPRING, RETURN | 2 | | |
| 4 | | A514-000020 | PAWL | 2 | | |
| 5 | | 177247-04630 | SPACER, RATCHET | 2 | 5.2*8*2.1 | |
| 6 | | 900603-00005 | WASHER 5 | 2 | 5.5*12*0.8 | |
| 7 | | V203-000080 | BOLT,5 | 2 | 5*14 | |
| 8 | | A172-000830 | COVER,FAN | 1 | | |
| 9 | | A411-001180 | COIL, IGNITION | 1 | MBU-40 | |
| 10 | | A425-000000 | SPARKPLUG | 1 | BPMR8Y | |
| 11 | | A426-000020 | TERMINAL,SPARKPLUG | 1 | | |
| 12 | | A427-000020 | CAP,SPARK PLUG | 1 | | |
| 13 | | 150117-16430 | SPACER | 2 | | |
| 14 | | V805-000210 | BOLT, TORX 5 | 2 | TB-5*20 12.9 | |
| 15 | | V485-001070 | LEAD | 1 | #LA105 L255 | |
| 16 | | A440-001190 | SWITCH, ON OFF | 1 | | |
| 17 | | V485-001080 | LEAD | 1 | L235,#187,#250 | |
| 18 | | A051-001301 | STARTER,RECOIL ASY | 1 | | |
| 19 | + | P022-005891 | GRIP, STARTER | 1 | | |
| 20 | + | P022-001330 | SPRING KIT, REWIND | 1 | | |
| 21 | + | P022-008440 | ROPE, STARTER | 1 | 3.5*900 | |
| 22 | + | A506-000460 | REEL,ROPE | 1 | | |
| 23 | + | V452-001320 | SPRING,TORSION | 1 | | |
| 24 | + | A507-000110 | CATCHER,PAWL | 1 | | |
| 25 | + | 177236-61830 | SCREW | 1 | | |
| 26 | | V805-000010 | BOLT, TORX 5 | 4 | TT-5*20 DG 10.9 | |

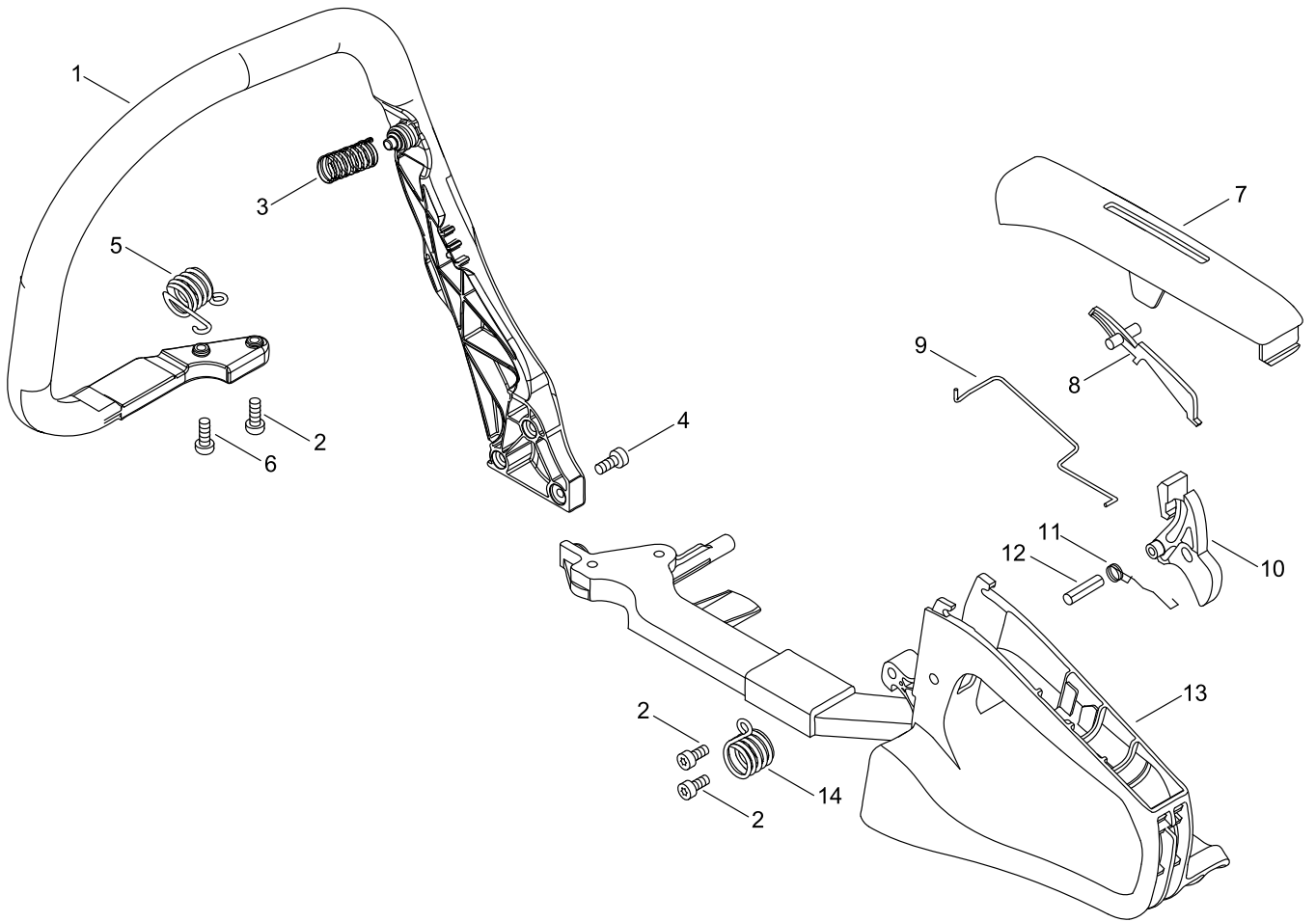
AIR CLEANER, CARBURETOR



AIR CLEANER, CARBURETOR

| KEY NO | LV(+) | Part No | Description | Qty | Standard | Comment |
|--------|-------|--------------|--------------------------|-----|--------------------|------------------------|
| 1 | | P021-005581 | OIL CAP ASY | 1 | | |
| 2 | + | 900720-00018 | O-RING 18 | 1 | P-18 | |
| 3 | + | A365-000050 | CONNECTOR,CAP | 1 | | |
| 4 | | 436114-13930 | VALVE, CHECK | 1 | | |
| 5 | | A369-000420 | STRAINER, FUEL | 1 | ES-16499 | |
| 6 | | 132115-01461 | GROMMET | 1 | | |
| 7 | | 130110-05260 | PIPE, IMPULSE | 1 | | |
| 8 | | V186-000020 | JOINT,PIPE | 1 | | |
| 9 | | V470-000810 | PIPE | 1 | | |
| 10 | | V137-000000 | GROMMET,FUEL | 1 | | |
| 11 | | A356-000030 | VALVE,CHECK | 1 | | SUS. BY A356-000031 |
| 11 | | A356-000031 | VALVE,CHECK | 1 | | |
| 12 | | 131004-37933 | CAP ASY, FUEL | 1 | | |
| 13 | + | V581-000610 | RING,O | 1 | P22 | |
| 3 | + | A365-000050 | CONNECTOR,CAP | 1 | | |
| 15 | | V471-002170 | PIPE | 1 | 3*5*230 | |
| 16 | | 132013-09820 | CLIP | 1 | 6MM | |
| 17 | | V471-001560 | PIPE | 1 | 2.4*5*80 | |
| 18 | | 132115-44330 | GROMMET | 1 | | |
| 19 | | 131205-14930 | STRAINER,FUEL | 1 | | |
| 20 | | V805-000010 | BOLT, TORX 5 | 2 | TT-5*20 DG 10.9 | |
| 21 | | A200-000352 | INSULATOR, INTAKE | 1 | | |
| 22 | | A021-003340 | CARBURETOR, DIAPHRAGM | 1 | WT-991 | |
| 23 | | V805-000040 | BOLT, TORX 5 | 2 | TT-5*55 DG 10.9 | |
| 24 | | A204-000211 | ELBOW, CARBURETOR | 1 | | |
| 25 | | V805-000000 | BOLT, TORX 5 | 1 | TT-5*16 DG 10.9 | |
| 26 | | A226-001420 | ELEMENT, AIR FILTER | 1 | | |
| 27 | | 123181-39130 | PUMP, PRIMER | 1 | | |
| 28 | | V471-001280 | PIPE | 1 | 2.4*5*105 | |
| 29 | | V130-000010 | GROMMET,CHOKE | 1 | | |
| 30 | | A241-000150 | KNOB, CHOKE | 1 | | |
| 32 | | V420-001790 | CUSHION | 2 | | |
| 33 | | A160-002300 | COVER,CYLINDER | 1 | | |
| 35 | | V341-000120 | WASHER,SQUARE | 2 | | |
| 36 | | 100927-35830 | PIPE | 1 | 3*7*10 | |
| 37 | | 890157-39131 | LABEL, SWITCH | 1 | | |
| 38 | | X524-001901 | LABEL | 1 | | |
| 39 | | X503-010410 | LABEL,MODEL | 1 | CS-352ES | |
| 40 | | 890631-38131 | LABEL, CAUTION | 1 | | |
| 43 | | 130338-32430 | PLUG, COVER | 1 | | |

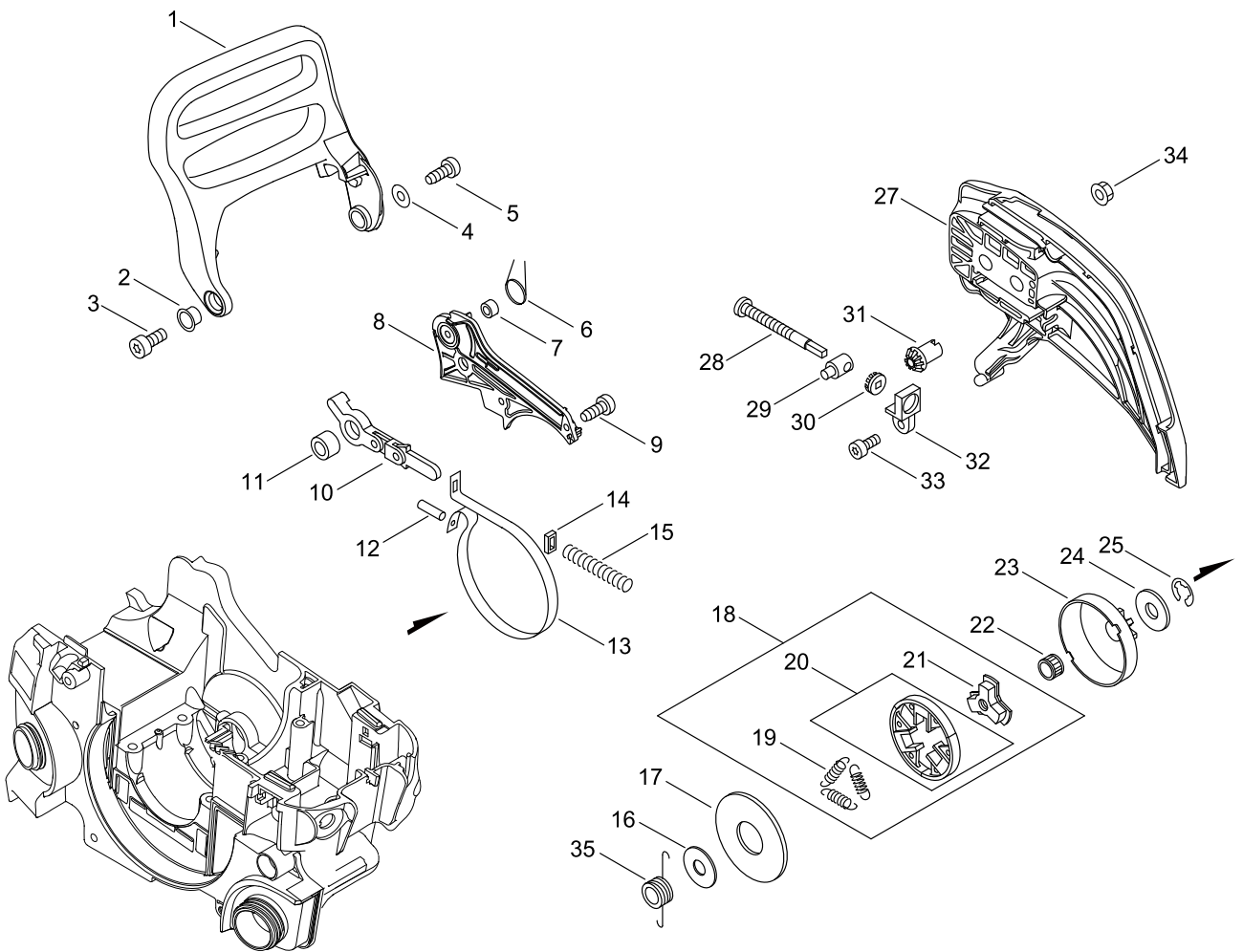
HANDLE



HANDLE

| KEY NO | LV(+) | Part No | Description | Qty | Standard | Comment |
|--------|-------|--------------|---------------------|-----|--------------------|---------|
| 1 | | C400-001030 | HANDLE, FRONT | 1 | | |
| 2 | | V805-000000 | BOLT, TORX 5 | 3 | TT-5*16 DG 10.9 | |
| 3 | | V450-001610 | SPRING,COMPRESSION | 1 | | |
| 4 | | V805-000010 | BOLT, TORX 5 | 3 | TT-5*20 DG 10.9 | |
| 5 | | V450-000710 | SPRING,COMPRESSION | 1 | | |
| 6 | | V805-000000 | BOLT, TORX 5 | 2 | TT-5*16 DG 10.9 | |
| 7 | | C411-000040 | LID,HANDLE | 1 | | |
| 8 | | C460-000072 | LOCKOUT, THROTTLE | 1 | | |
| 9 | | C454-000160 | ROD, THROTTLE | 1 | | |
| 10 | | C450-000212 | CONTROL, THROTTLE | 1 | | |
| 11 | | V452-000260 | SPRING,TORSION | 1 | | |
| 12 | | 900345-40025 | PIN, SPRING 4*25SUS | 1 | 4*25SUS | |
| 13 | | C410-000450 | HANDLE, REAR | 1 | | |
| 14 | | V450-001620 | SPRING,COMPRESSION | 1 | | |

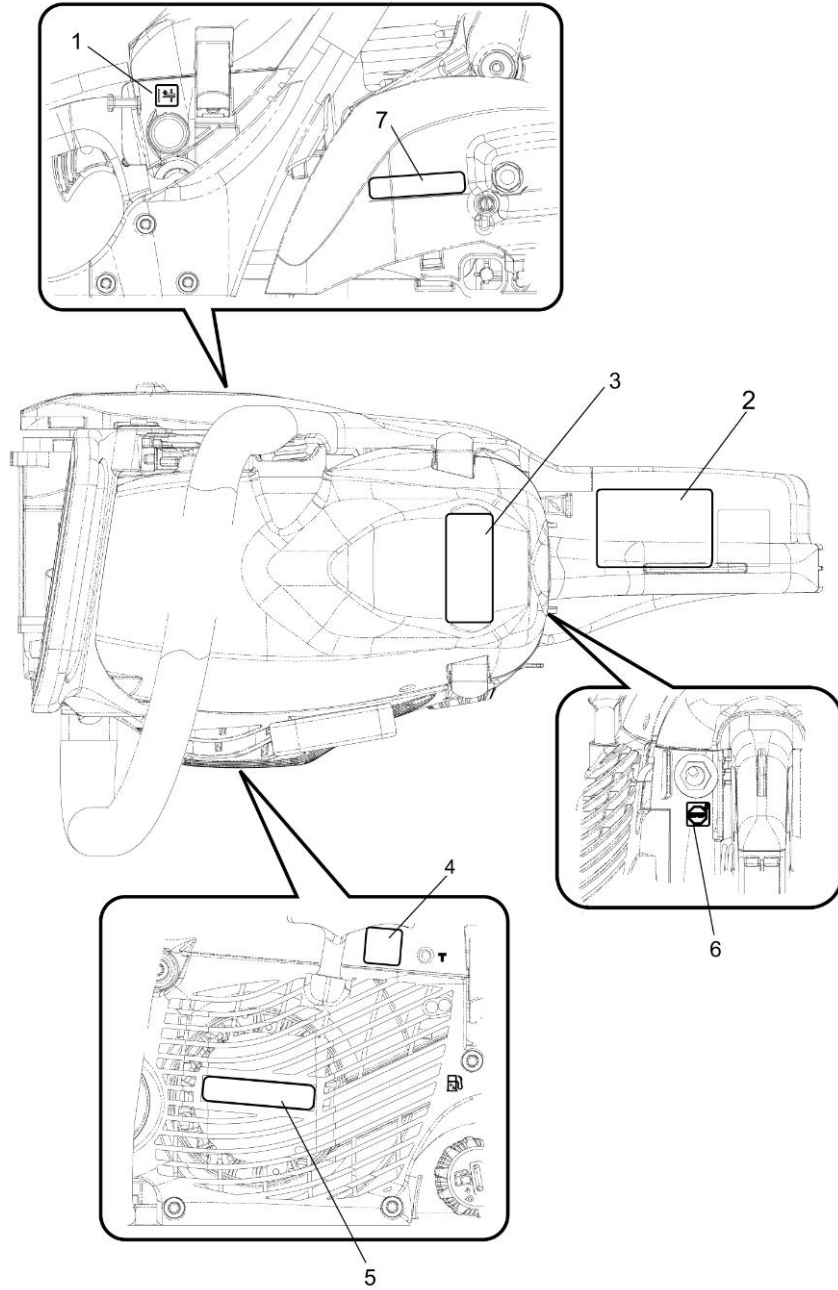
CLUTCH, SPROCKET



CLUTCH, SPROCKET

| KEY NO | LV(+) | Part No | Description | Qty | Standard | Comment |
|--------|-------|--------------|--------------------|-----|--------------------|---------|
| 1 | | C320-000171 | LEVER, BRAKE | 1 | | |
| 2 | | V356-000430 | COLLAR,10 | 1 | | |
| 3 | | V804-000000 | BOLT, TORX 4 | 1 | TT-4*12 DG 10.9 | |
| 4 | | 177214-03930 | WASHER | 1 | | |
| 5 | | V804-000020 | BOLT, TORX 4 | 1 | TT-4*20 DG 10.9 | |
| 6 | | V452-000250 | SPRING,TORSION | 1 | | |
| 7 | | 433116-35430 | SPACER 8 | 1 | 8*12*9 | |
| 8 | | C345-000271 | COVER,BRAKE | 1 | | |
| 9 | | V804-000000 | BOLT, TORX 4 | 2 | TT-4*12 DG 10.9 | |
| 10 | | C334-000100 | CONNECTOR, BRAKE | 1 | | |
| 11 | | 433116-35430 | SPACER 8 | 1 | 8*12*9 | |
| 12 | | 93050-30098 | ROLLER | 1 | F3*9.8 | |
| 13 | | C328-000030 | BAND,BRAKE | 1 | | |
| 14 | | V376-000450 | SPACER | 1 | | |
| 15 | | V450-000070 | SPRING,COMPRESSION | 1 | | |
| 16 | | A551-000080 | PLATE, CLUTCH | 1 | | |
| 17 | | A551-000140 | PLATE, CLUTCH | 1 | | |
| 18 | | A056-000210 | CLUTCH ASY | 1 | | |
| 19 | + | V451-000470 | SPRING,TENSION | 3 | | |
| 20 | + | P021-005810 | CLUTCH SHOE SET | 1 | | |
| 21 | + | A552-000100 | HUB, CLUTCH | 1 | | |
| 22 | | 175012-03930 | BEARING, NEEDLE | 1 | | |
| 23 | | A556-000542 | DRUM, CLUTCH | 1 | | |
| 24 | | 100143-19830 | WASHER | 1 | 8.2*31*0.8 | |
| 25 | | V583-000120 | RING | 1 | | |
| 27 | | C300-000401 | GUARD, SPROCKET | 1 | | |
| 28 | | V203-000110 | BOLT,5 | 1 | | |
| 29 | | C309-000030 | TENSIONER,CHAIN | 1 | | |
| 30 | | V651-000011 | GEAR,BEVEL | 1 | | |
| 31 | | V651-000001 | GEAR,BEVEL | 1 | | |
| 32 | | V355-000140 | COLLAR,8 | 1 | | |
| 33 | | V804-000000 | BOLT, TORX 4 | 1 | TT-4*12 DG 10.9 | |
| 34 | | 433019-12330 | NUT, FLANGE 8 | 2 | M-8 | |
| 35 | | V652-000040 | GEAR,WORM | 1 | | |

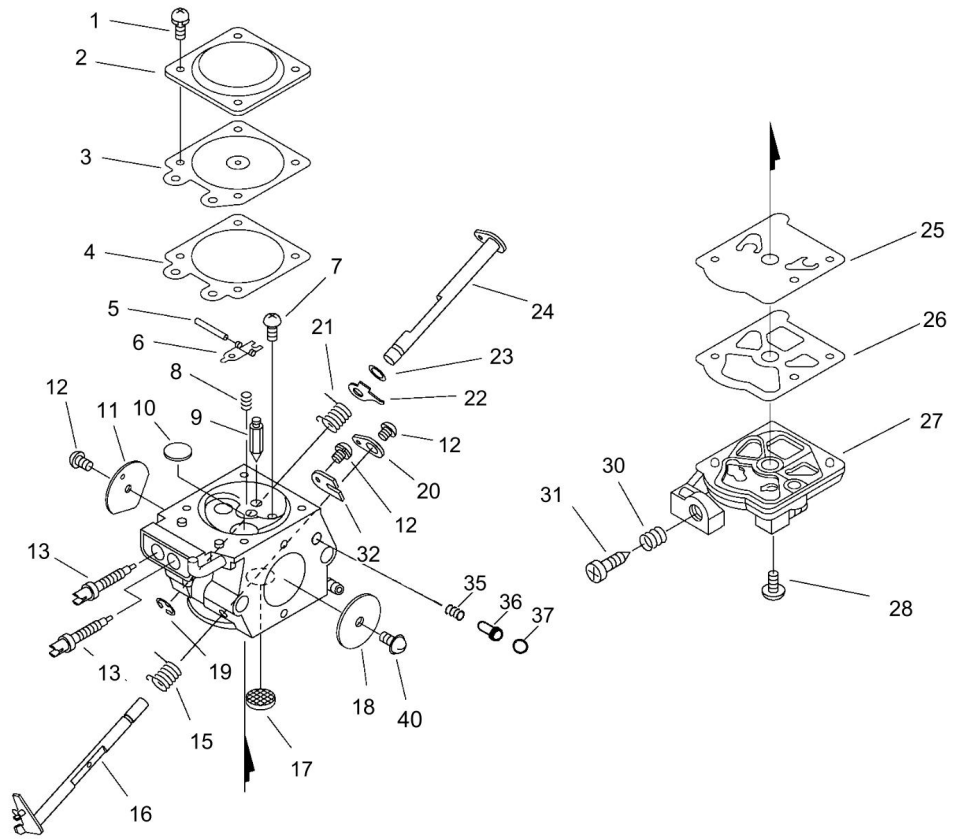
LABELS



LABELS

| KEY NO | LV(+) | Part No | Description | Qty | Standard | Comment |
|--------|-------|--------------|----------------|-----|-------------|---------|
| 1 | | X524-001900 | LABEL | 1 | | |
| 2 | | 890345-39230 | LABEL,CAUTION | 1 | | |
| 3 | | X503-010410 | LABEL,MODEL | 1 | CS-352ES | |
| 4 | | 890631-38130 | LABEL, CAUTION | 1 | | |
| 5 | | X502-000670 | LABEL,ECHO | 1 | | |
| 6 | | 890157-39130 | LABEL, SWITCH | 1 | | |
| 7 | | X502-000340 | LABEL,ECHO | 1 | ECHO(WHITE) | |

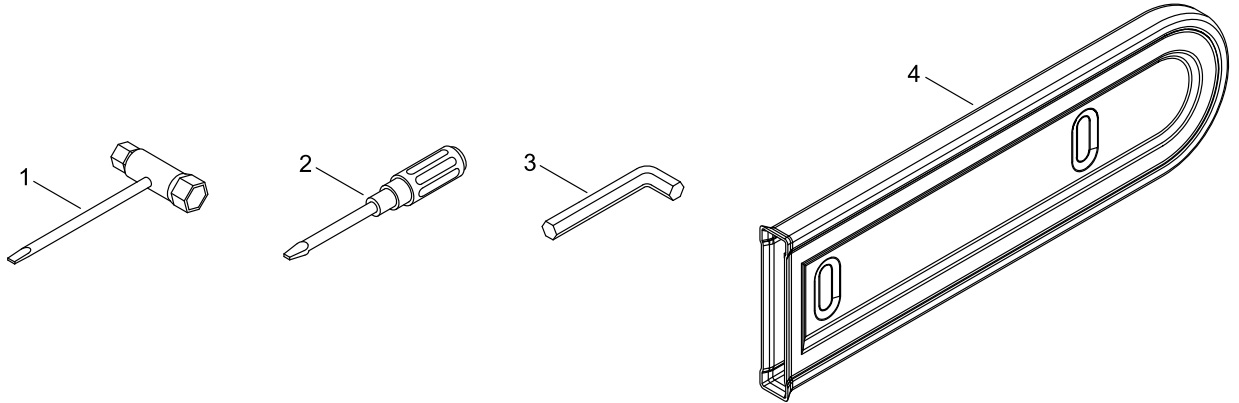
CARBURETOR



CARBURETOR

| KEY NO | LV(+) | Part No | Description | Qty | Standard | Comment |
|--------|-------|--------------|--------------------------|-----|----------|---------|
| | | A021-003340 | CARBURETOR, DIAPHRAGM | 1 | WT-991 | |
| 1 | + | 123130-02960 | SCREW | 4 | | |
| 2 | + | 123142-03930 | COVER, M. DIAPHRAGM | 1 | | |
| 3 | + | P003-001850 | DIAPHRAGM, METERING | 1 | | |
| 4 | + | 123140-03930 | GASKET, M. DIAPHRAGM | 1 | | |
| 5 | + | 123138-03930 | PIN, METERING LEVER | 1 | | |
| 6 | + | 123123-03930 | LEVER, METERING | 1 | | |
| 7 | + | 123139-03930 | SCREW, M. LEVER PIN | 1 | | |
| 8 | + | 123122-03660 | SPRING, METER. LEVER | 1 | | |
| 9 | + | 123137-19830 | VALVE, INLET NEEDLE | 1 | | |
| 10 | + | 123146-10631 | PLUG, WELCH | 1 | | |
| 11 | + | P003-002250 | VALVE, CHOKE | 1 | | |
| 12 | + | 123114-38830 | SCREW | 3 | | |
| 13 | + | P003-004170 | NEEDLE | 2 | | |
| 15 | + | 123113-37530 | SPRING, THROTTLE RTN | 1 | | |
| 16 | + | P003-002240 | SHAFT ASY, THROTTLE | 1 | | |
| 17 | + | 123126-10631 | SCREEN, INLET | 1 | | |
| 18 | + | 123116-23230 | VALVE, THROTTLE | 1 | | |
| 19 | + | 123127-15030 | RING | 1 | | |
| 20 | + | P003-001040 | LEVER THROTTLE | 1 | | |
| 21 | + | P003-002260 | SPRING | 1 | | |
| 22 | + | P003-001510 | LEVER-FAST IDLE | 1 | | |
| 23 | + | 123149-26030 | WASHER | 1 | | |
| 24 | + | P003-000150 | CHOKE, SHAFT | 1 | | |
| 25 | + | 123112-15030 | DIAPHRAGM, FUEL PUMP | 1 | | |
| 26 | + | 123125-15030 | GASKET, FUEL PUMP | 1 | | |
| 27 | + | 123124-09520 | COVER, FUEL PUMP | 1 | | |
| 28 | + | 123110-03930 | SCREW, PUMP COVER | 1 | | |
| 30 | + | 123133-04260 | SPRING, IDLE ADJUST | 1 | | |
| 31 | + | 123134-04260 | SCREW, IDLE ADJUST | 1 | | |
| 32 | + | 123127-03930 | CLIP, THROTTLE SHAFT | 1 | | |
| 35 | + | 123186-09660 | SPRING, START VALVE | 1 | | |
| 36 | + | 123185-09660 | PISTON ASSY | 1 | | |
| 37 | + | 123136-09660 | BALL | 1 | | |
| 40 | + | P003-002380 | SCREW | 1 | | |

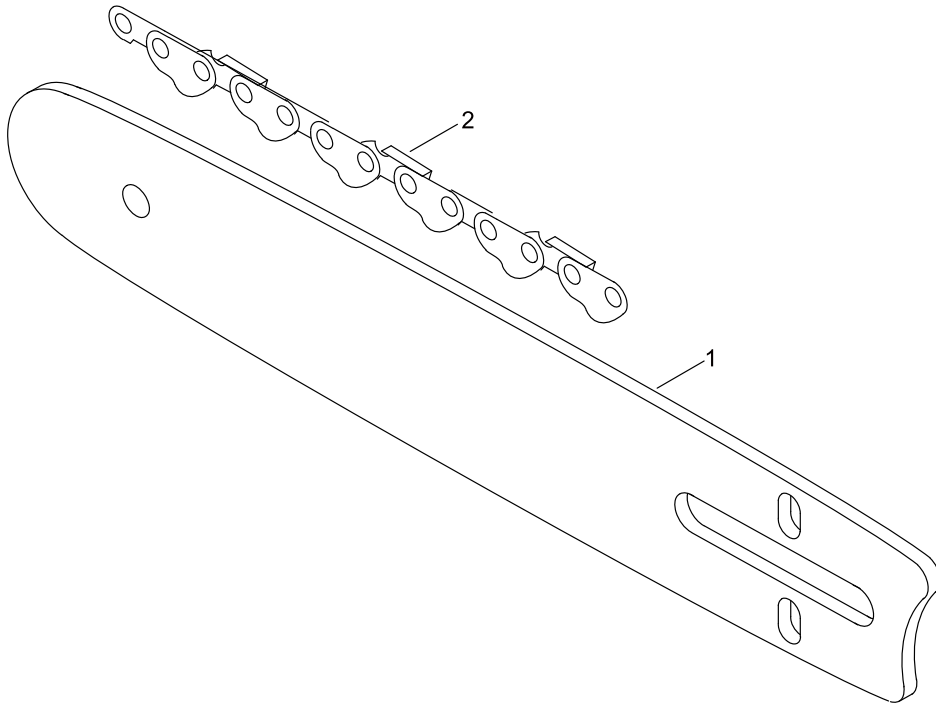
TOOLS



TOOLS

| KEY NO | LV(+) | Part No | Description | Qty | Standard | Comment |
|--------|-------|--------------|------------------|-----|------------|---------|
| 1 | | X602-000080 | TOOL,WRENCH | 1 | 13*19 L180 | |
| 2 | | 895812-03930 | DRIVER, SCREW 50 | 1 | | |
| 3 | | X605-000170 | TOOL,L WRENCH | 1 | | |
| 4 | | X490-000510 | SCABBARD,CHAIN | 1 | | |

GUIDE BAR, CHAIN



GUIDE BAR, CHAIN

| KEY NO | LV(+) | Part No | Description | Qty | Standard | Comment |
|--------|-------|--------------|----------------------|-----|---------------------|---------|
| 1A | | X122-000071 | BAR,GUIDE30RC50M-3/8 | 1 | 30RC50M-3/8 ECHO | |
| 2A | | 431010-39230 | CHAIN, SAW 91VG-47E | 1 | 91VG-47E 30C | |
| 1B | | X123-000131 | BAR,GUIDE35RC50M-3/8 | 1 | 35RC50M-3/8 | |
| 2B | | 431019-39230 | CHAIN, SAW 91VG-53E | 1 | 91VG-53E 35C | |
| 1C | | X122-000180 | BAR,GUIDE 30 | 1 | 30RC43S-3/8 ECHO | |
| 2C | | 431010-60930 | CHAIN, SAW | 1 | 90SG-45E | |
| 2C | | 431010-39931 | CHAIN, SAW 91VX-47E | 1 | 91VX-47E | |
| 1D | | X123-000230 | BAR,GUIDE 35 | 1 | 35RC43S-3/8 ECHO | |
| 2D | | 431019-39931 | CHAIN,SAW | 1 | 91VX-53E | |

NUMERICAL PARTS INDEX

| Part No | Part description | Page | Part No | Part description | Page | Part No | Part description | Page |
|--------------|----------------------|------|--------------|--------------------------|------|-------------|---------------------|------|
| 100013-15330 | PIN, PISTON | 2 | 431010-39230 | CHAIN, SAW 91VG-47E | 20 | A426-000020 | TERMINAL,SPARKPLUG | 6 |
| 100014-11520 | SPACER, PISTON PIN | 2 | 431010-39931 | CHAIN, SAW 91VX-47E | 20 | A427-000020 | CAP,SPARK PLUG | 6 |
| 100015-04630 | CIRCLIP, PISTON PIN | 2 | 431010-60930 | CHAIN, SAW | 20 | A440-001190 | SWITCH, ON OFF | 6 |
| 100142-12330 | KEY, WOODRUFF | 2 | 431019-39230 | CHAIN, SAW 91VG-53E | 20 | A506-000460 | REEL,ROPE | 6 |
| 100143-19830 | WASHER | 12 | 431019-39931 | CHAIN,SAW | 20 | A507-000110 | CATCHER,PAWL | 6 |
| 100927-35830 | PIPE | 8 | 433019-12330 | NUT, FLANGE 8 | 12 | A514-000020 | PAWL | 6 |
| 123110-03930 | SCREW, PUMP COVER | 16 | 433116-35430 | SPACER 8 | 12 | A551-000080 | PLATE, CLUTCH | 12 |
| 123112-15030 | DIAPHRAGM, FUEL PUMP | 16 | 436114-13930 | VALVE, CHECK | 8 | A551-000140 | PLATE, CLUTCH | 12 |
| 123113-37530 | SPRING, THROTTLE RTN | 16 | 890157-39130 | LABEL, SWITCH | 14 | A552-000100 | HUB, CLUTCH | 12 |
| 123114-38830 | SCREW | 16 | 890157-39131 | LABEL, SWITCH | 8 | A556-000542 | DRUM, CLUTCH | 12 |
| 123116-23230 | VALVE, THROTTLE | 16 | 890345-39230 | LABEL,CAUTION | 14 | C022-000071 | AUTO-OILER ASSEMBLY | 2 |
| 123122-03660 | SPRING, METER. LEVER | 16 | 890631-38130 | LABEL, CAUTION | 14 | C300-000401 | GUARD, SPROCKET | 12 |
| 123123-03930 | LEVER, METERING | 16 | 890631-38131 | LABEL, CAUTION | 8 | C309-000030 | TENSIONER,CHAIN | 12 |
| 123124-09520 | COVER, FUEL PUMP | 16 | 895812-03930 | DRIVER, SCREW 50 | 18 | C320-000171 | LEVER, BRAKE | 12 |
| 123125-15030 | GASKET, FUEL PUMP | 16 | 900345-40025 | PIN, SPRING 4*25SUS | 10 | C328-000030 | BAND,BRAKE | 12 |
| 123126-10631 | SCREEN, INLET | 16 | 900515-00008 | NUT, FLANGE 8 | 6 | C334-000100 | CONNECTOR, BRAKE | 12 |
| 123127-03930 | CLIP, THROTTLE SHAFT | 16 | 900516-00005 | NUT, FRANGE 5 | 4 | C345-000271 | COVER,BRAKE | 12 |
| 123127-15030 | RING | 16 | 900603-00005 | WASHER 5 | 6 | C400-001030 | HANDLE, FRONT | 10 |
| 123130-02960 | SCREW | 16 | 900720-00018 | O-RING 18 | 8 | C410-000450 | HANDLE, REAR | 10 |
| 123133-04260 | SPRING, IDLE ADJUST | 16 | 93050-30098 | ROLLER | 12 | C411-000040 | LID,HANDLE | 10 |
| 123134-04260 | SCREW, IDLE ADJUST | 16 | 94035-36201 | BEARING BALL | 2 | C450-000212 | CONTROL, THROTTLE | 10 |
| 123136-09660 | BALL | 16 | A021-003340 | CARBURETOR, DIAPHRAGM | 8 | C454-000160 | ROD, THROTTLE | 10 |
| 123137-19830 | VALVE, INLET NEEDLE | 16 | A021-003340 | CARBURETOR, DIAPHRAGM | 16 | C460-000072 | LOCKOUT, THROTTLE | 10 |
| 123138-03930 | PIN, METERING LEVER | 16 | A051-001301 | STARTER,RECOIL ASY | 6 | C463-000030 | KNOB, LATCH | 2 |
| 123139-03930 | SCREW, M. LEVER PIN | 16 | A056-000210 | CLUTCH ASY | 12 | C617-000500 | STOPPER | 2 |
| 123140-03930 | GASKET, M. DIAPHRAGM | 16 | A101-000580 | RING, PISTON | 2 | J485-000200 | HINGE | 2 |
| 123142-03930 | COVER, M. DIAPHRAGM | 16 | A160-002300 | COVER,CYLINDER | 8 | P003-000150 | CHOKE, SHAFT | 16 |
| 123146-10631 | PLUG, WELCH | 16 | A172-000830 | COVER,FAN | 6 | P003-001040 | LEVER THROTTLE | 16 |
| 123149-26030 | WASHER | 16 | A200-000352 | INSULATOR, INTAKE | 8 | P003-001510 | LEVER-FAST IDLE | 16 |
| 123181-39130 | PUMP, PRIMER | 8 | A202-000070 | BELLOWS, INTAKE | 2 | P003-001850 | DIAPHRAGM, METERING | 16 |
| 123185-09660 | PISTON ASSY | 16 | A204-000211 | ELBOW, CARBURETOR | 8 | P003-002240 | SHAFT ASY,THROTTLE | 16 |
| 123186-09660 | SPRING, START VALVE | 16 | A206-000000 | HOLDER, BELLOWS | 2 | P003-002250 | VALVE, CHOKE | 16 |
| 130110-05260 | PIPE, IMPULSE | 8 | A226-001420 | ELEMENT, AIR FILTER | 8 | P003-002260 | SPRING | 16 |
| 130338-32430 | PLUG, COVER | 8 | A241-000150 | KNOB, CHOKE | 8 | P003-002380 | SCREW | 16 |
| 131004-37933 | CAP ASY, FUEL | 8 | A300-000830 | MUFFLER, EXHAUST | 4 | P003-004170 | NEEDLE | 16 |
| 131205-14930 | STRAINER,FUEL | 8 | A310-000060 | SCREEN, ARRESTOR | 4 | P021-005581 | OIL CAP ASY | 8 |
| 132013-09820 | CLIP | 8 | A313-001120 | GUIDE, EXHAUST | 4 | P021-005810 | CLUTCH SHOE SET | 12 |
| 132115-01461 | GROMMET | 8 | A356-000030 | VALVE,CHECK | 8 | P021-015072 | CRANKSHAFT,ASSY | 2 |
| 132115-44330 | GROMMET | 8 | A356-000031 | VALVE,CHECK | 8 | P021-035190 | CRANKCASE KIT | 2 |
| 150117-16430 | SPACER | 6 | A365-000050 | CONNECTOR,CAP | 8 | P021-035200 | PISTON KIT | 2 |
| 175012-03930 | BEARING, NEEDLE | 12 | A369-000420 | STRAINER, FUEL | 8 | P021-036930 | COVER, ENGINE | 2 |
| 177214-03930 | WASHER | 12 | A409-000350 | ROTOR, MAGNETO | 6 | P022-001330 | SPRING KIT, REWIND | 6 |
| 177234-35430 | SPRING, RETURN | 6 | A411-001180 | COIL, IGNITION | 6 | P022-005891 | GRIP, STARTER | 6 |
| 177236-61830 | SCREW | 6 | A425-000000 | SPARKPLUG | 6 | P022-008440 | ROPE, STARTER | 6 |
| 177247-04630 | SPACER, RATCHET | 6 | | | 6 | V104-000732 | GASKET,EXHAUST | 4 |

NUMERICAL PARTS INDEX

| Part No | Part description | Page | Part No | Part description | Page |
|-------------|--------------------|------|-------------|----------------------|------|
| V130-000010 | GROMMET,CHOKE | 8 | V805-000180 | BOLT, TORX 5 | 2 |
| V137-000000 | GROMMET,FUEL | 8 | V805-000210 | BOLT, TORX 5 | 6 |
| V186-000020 | JOINT,PIPE | 8 | V805-000220 | BOLT, TORX 5 | 2 |
| V203-000080 | BOLT,5 | 6 | X122-000071 | BAR,GUIDE30RC50M-3/8 | 20 |
| V203-000110 | BOLT,5 | 12 | X122-000180 | BAR,GUIDE 30 | 20 |
| V203-000120 | BOLT,5 | 4 | X123-000131 | BAR,GUIDE35RC50M-3/8 | 20 |
| V225-000030 | BOLT,STUD 8 | 2 | X123-000230 | BAR,GUIDE 35 | 20 |
| V341-000120 | WASHER,SQUARE | 8 | X490-000510 | SCABBARD,CHAIN | 18 |
| V355-000140 | COLLAR,8 | 12 | X502-000340 | LABEL,ECHO | 14 |
| V356-000430 | COLLAR,10 | 12 | X502-000670 | LABEL,ECHO | 14 |
| V376-000450 | SPACER | 12 | X503-010410 | LABEL,MODEL | 8 |
| V420-001790 | CUSHION | 8 | X503-010410 | LABEL,MODEL | 14 |
| V450-000070 | SPRING,COMPRESSION | 12 | X524-001900 | LABEL | 14 |
| V450-000710 | SPRING,COMPRESSION | 10 | X524-001901 | LABEL | 8 |
| V450-001610 | SPRING,COMPRESSION | 10 | X602-000080 | TOOL,WRENCH | 18 |
| V450-001620 | SPRING,COMPRESSION | 10 | X605-000170 | TOOL,L WRENCH | 18 |
| V451-000470 | SPRING,TENSION | 12 | | | |
| V452-000250 | SPRING,TORSION | 12 | | | |
| V452-000260 | SPRING,TORSION | 10 | | | |
| V452-001320 | SPRING,TORSION | 6 | | | |
| V456-000240 | HOLDER,SPRING | 2 | | | |
| V470-000810 | PIPE | 8 | | | |
| V471-001280 | PIPE | 8 | | | |
| V471-001560 | PIPE | 8 | | | |
| V471-002170 | PIPE | 8 | | | |
| V485-001070 | LEAD | 6 | | | |
| V485-001080 | LEAD | 6 | | | |
| V490-000400 | CLIP | 2 | | | |
| V505-000011 | SEAL,OIL 12 | 2 | | | |
| V581-000610 | RING,O | 8 | | | |
| V583-000120 | RING | 12 | | | |
| V622-000070 | PIN,STRAIGHT 4 | 2 | | | |
| V651-000001 | GEAR,BEVEL | 12 | | | |
| V651-000011 | GEAR,BEVEL | 12 | | | |
| V652-000040 | GEAR,WORM | 12 | | | |
| V804-000000 | BOLT, TORX 4 | 12 | | | |
| V804-000020 | BOLT, TORX 4 | 12 | | | |
| V804-000030 | BOLT, TORX 4 | 4 | | | |
| V805-000000 | BOLT, TORX 5 | 8 | | | |
| V805-000000 | BOLT, TORX 5 | 10 | | | |
| V805-000010 | BOLT, TORX 5 | 6 | | | |
| V805-000010 | BOLT, TORX 5 | 8 | | | |
| V805-000010 | BOLT, TORX 5 | 10 | | | |
| V805-000040 | BOLT, TORX 5 | 8 | | | |
| V805-000140 | BOLT, TORX 5 | 2 | | | |