

CS-352AC

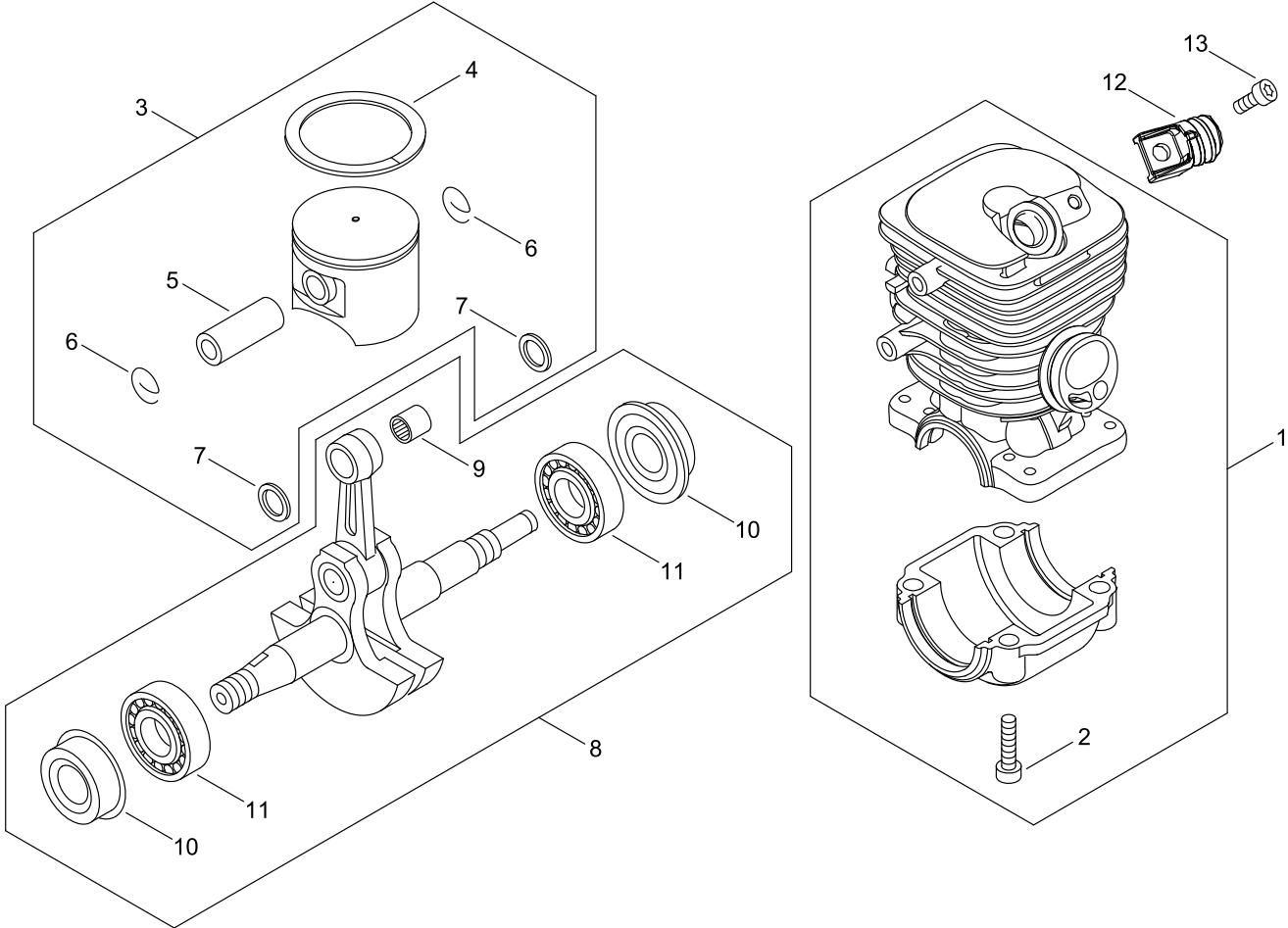
Serial number: 38000001-38999999

Last update date: 02/18/2020

TABLE OF CONTENTS

| | |
|-----------------------------------|----|
| CYLINDER, PISTON, CRANKSHAFT..... | 1 |
| ENGINE COVER..... | 3 |
| MAGNETO..... | 5 |
| AIR CLEANER, CARBURETOR..... | 7 |
| CARBURETOR..... | 9 |
| MUFFLER..... | 11 |
| RECOIL STARTER..... | 13 |
| HANDLE..... | 15 |
| CHAIN BRAKE..... | 17 |
| ACCESSORIES..... | 19 |
| GUIDE BAR, CHAIN..... | 21 |

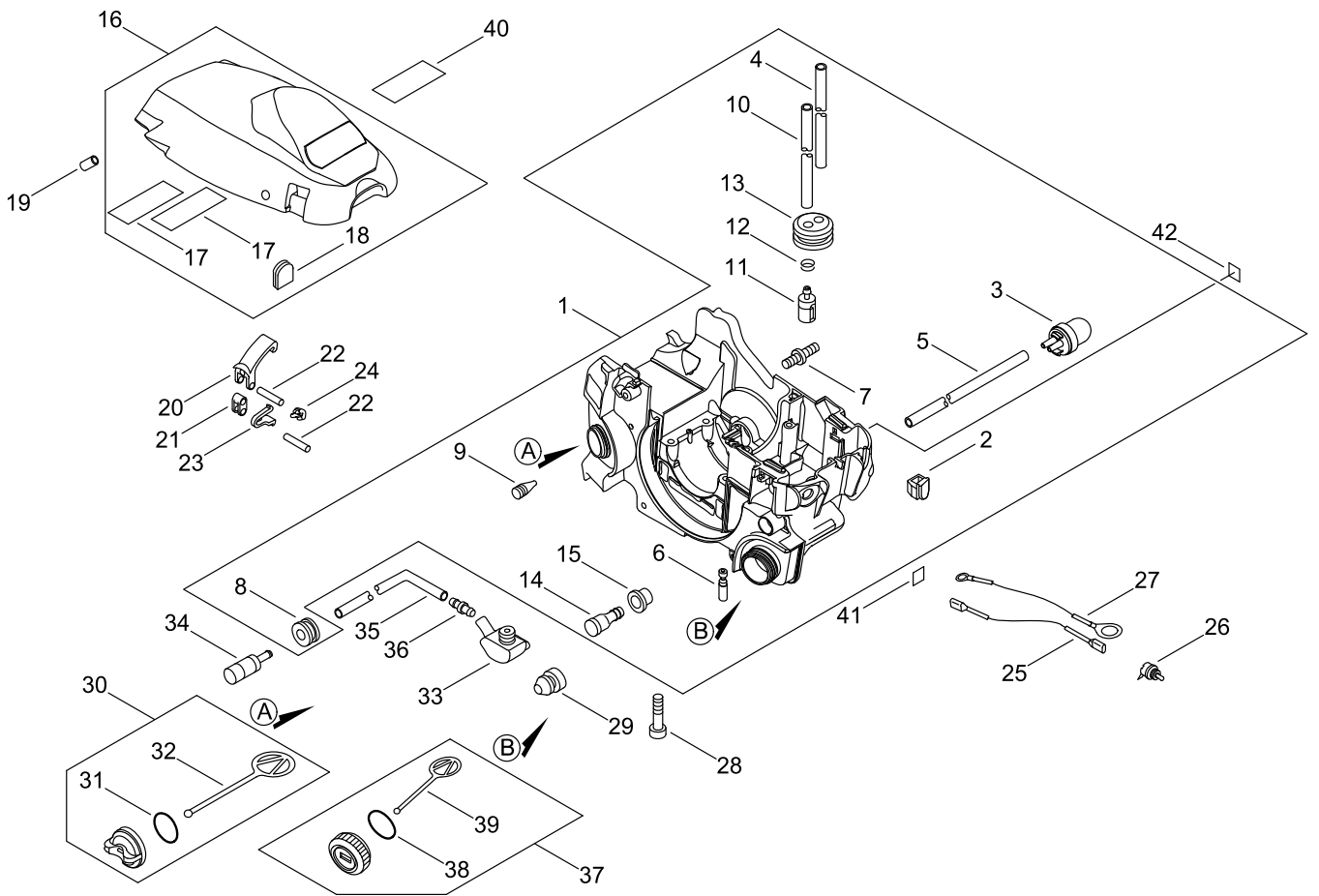
CYLINDER, PISTON, CRANKSHAFT



CYLINDER, PISTON, CRANKSHAFT

| Key No. | LV (+) | Part No | Description | Qty | Standard |
|---------|--------|--------------|---------------------|-----|--------------|
| 1 | | P021-035190 | CRANKCASE KIT | 1 | |
| 2 | + | V805-000220 | BOLT, TORX 5 | 4 | TB-5*25 12.9 |
| 3 | | P021-035201 | PISTON KIT | 1 | |
| 4 | + | A101-000580 | RING, PISTON | 1 | |
| 5 | + | 100013-15330 | PIN, PISTON | 1 | 5.5*8*29 |
| 6 | + | 100015-04630 | CIRCLIP, PISTON PIN | 2 | |
| 7 | + | 100014-11520 | SPACER, PISTON PIN | 2 | |
| 8 | | P021-015072 | CRANKSHAFT,ASSY | 1 | |
| 9 | + | V553-000060 | BEARING,NEEDLE 8 | 1 | HK0810FMV4 |
| 10 | + | V505-000011 | SEAL,OIL 12 | 2 | 12*32*5.5 |
| 11 | + | 94035-36201 | BEARING, BALL | 2 | 6201 |
| 12 | | V456-000240 | HOLDER,SPRING | 1 | |
| 13 | | V805-000140 | BOLT, TORX 5 | 1 | TB-5*12 10.9 |

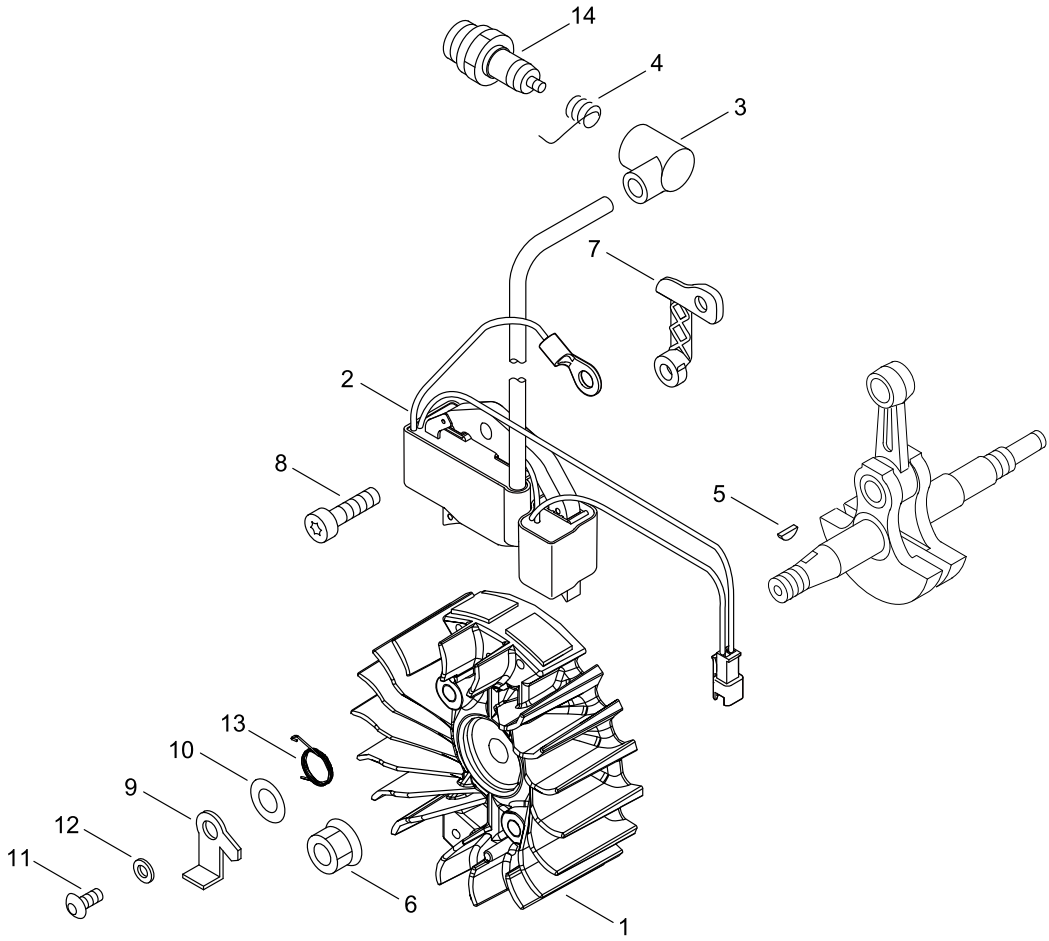
ENGINE COVER



ENGINE COVER

| Key No. | LV (+) | Part No | Description | Qty | Standard |
|---------|--------|--------------|---------------------|-----|----------------|
| 1 | | P100-007700 | ENGINE COVER ASY | 1 | |
| 2 | + | E123-000060 | CONNECTOR,BRACKET | 1 | |
| 3 | + | 123181-39130 | PUMP, PRIMER | 1 | |
| 4 | + | V471-001561 | PIPE | 1 | 2.4*5*80 |
| 5 | + | V471-001281 | PIPE | 1 | 2.4*5*105 |
| 6 | + | C022-000190 | AUTO-OILER ASSEMBLY | 1 | |
| 7 | + | V225-000370 | BOLT,STUD 8 | 2 | M8 |
| 8 | + | 132115-01462 | GROMMET | 1 | |
| 9 | + | 436114-13930 | VALVE, CHECK | 1 | |
| 10 | + | V471-002171 | PIPE | 1 | 3*5*230 |
| 11 | + | A369-000420 | STRAINER, FUEL | 1 | ES-16499 |
| 12 | + | V490-001240 | CLIP | 1 | |
| 13 | + | 132115-44331 | GROMMET, FUEL | 1 | |
| 14 | + | A356-000031 | VALVE,CHECK | 1 | |
| 15 | + | V137-000001 | GROMMET,FUEL | 1 | |
| 16 | | P100-004330 | CYLINDER COVER ASY | 1 | |
| 17 | + | V341-000120 | WASHER,SQUARE | 2 | |
| 18 | + | 130338-32430 | PLUG, COVER | 1 | |
| 19 | | 100927-35830 | PIPE | 1 | 3*7*10 |
| 20 | | C463-000100 | KNOB, LATCH | 2 | |
| 21 | | J485-000200 | HINGE | 2 | |
| 22 | | V622-000070 | PIN,STRAIGHT 4 | 4 | F4*17.8 |
| 23 | | V490-000400 | CLIP | 2 | |
| 24 | | C617-000500 | STOPPER | 2 | |
| 25 | | V485-001080 | LEAD | 1 | L235,#187,#250 |
| 26 | | A440-001190 | SWITCH, ON OFF | 1 | |
| 27 | | V485-001070 | LEAD | 1 | #LA105 L255 |
| 28 | | V805-000180 | BOLT, TORX 5 | 4 | TB-5*30 12.9 |
| 29 | | V420-001790 | CUSHION | 2 | |
| 30 | | P021-005581 | CAP ASY | 1 | |
| 31 | + | 900720-00018 | O-RING | 1 | P-18 |
| 32 | + | A365-000050 | CONNECTOR,CAP | 1 | |
| 33 | | V470-000810 | PIPE | 1 | |
| 34 | | P100-001900 | STRAINER, OIL | 1 | |
| 35 | | 130110-05261 | PIPE 3* 6*185 | 1 | 3*6*185 |
| 36 | | V186-000510 | JOINT,PIPE | 1 | |
| 37 | | P021-037920 | FUEL CAP ASY | 1 | |
| 38 | + | V581-000610 | RING,O | 1 | P22 |
| 39 | + | A365-000050 | CONNECTOR,CAP | 1 | |
| 40 | | X503-015240 | LABEL,MODEL | 1 | CS-352AC |
| 41 | | 890157-39131 | LABEL, SWITCH | 1 | |
| 42 | | X524-001901 | LABEL | 1 | |

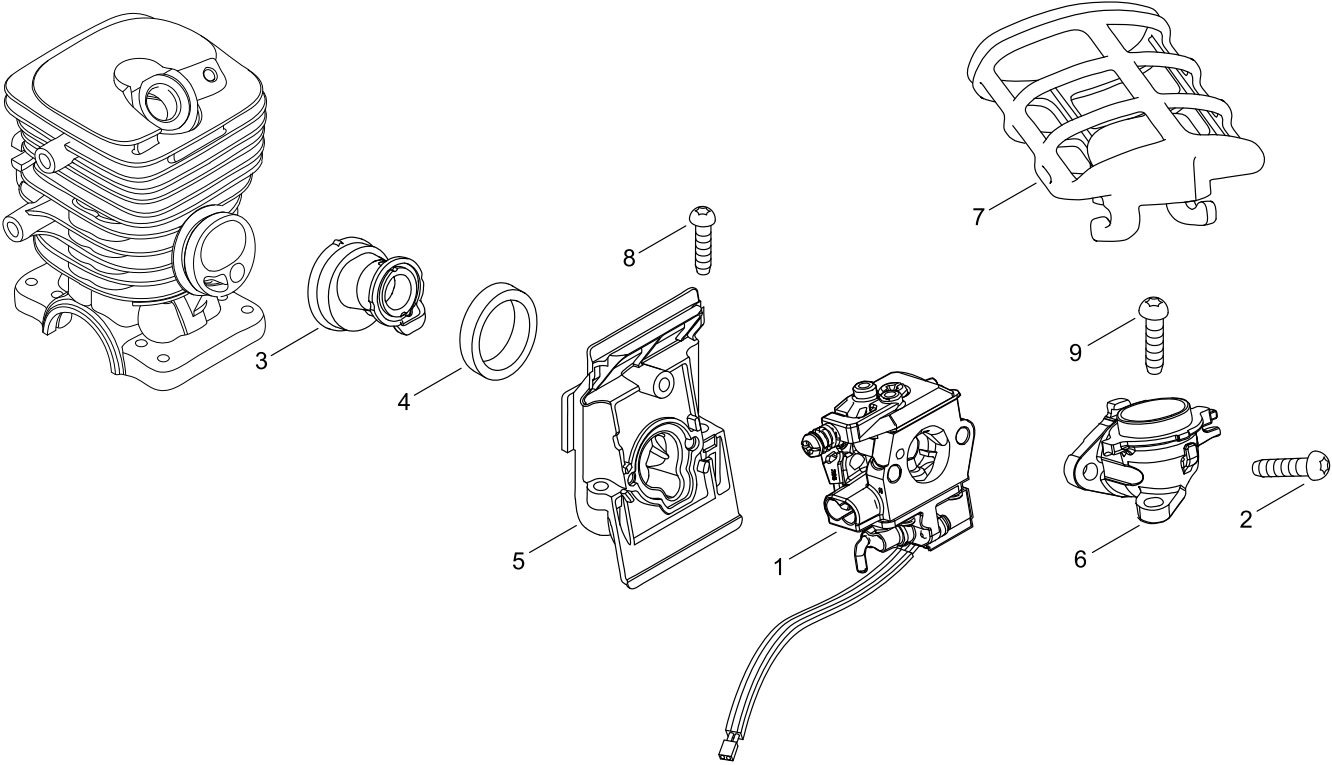
MAGNETO



MAGNETO

| Key No. | LV (+) | Part No | Description | Qty | Standard |
|---------|--------|--------------|---------------------|-----|--------------|
| 1 | | A409-000350 | ROTOR, MAGNETO | 1 | WALBRO FW57 |
| 2 | | A411-001760 | COIL, IGNITION | 1 | WJP MBU-83 |
| 3 | | A427-000020 | CAP, SPARK PLUG | 1 | |
| 4 | | A426-000020 | TERMINAL, SPARKPLUG | 1 | |
| 5 | | 100142-12330 | KEY, WOODRUFF | 1 | |
| 6 | | 900515-00008 | NUT, FLANGE | 1 | 8 |
| 7 | | V376-002500 | SPACER | 1 | |
| 8 | | V805-000210 | BOLT, TORX 5 | 2 | TB-5*20 12.9 |
| 9 | | A514-000020 | PAWL | 2 | |
| 10 | | 900603-00005 | WASHER | 2 | 5 |
| 11 | | V203-000080 | BOLT, 5 | 2 | 5*14 |
| 12 | | 177247-04630 | SPACER, RATCHET | 2 | 5.2*8*2.1 |
| 13 | | 177234-35430 | SPRING, RETURN | 2 | |
| 14 | | A425-000000 | SPARKPLUG | 1 | BPMR8Y |

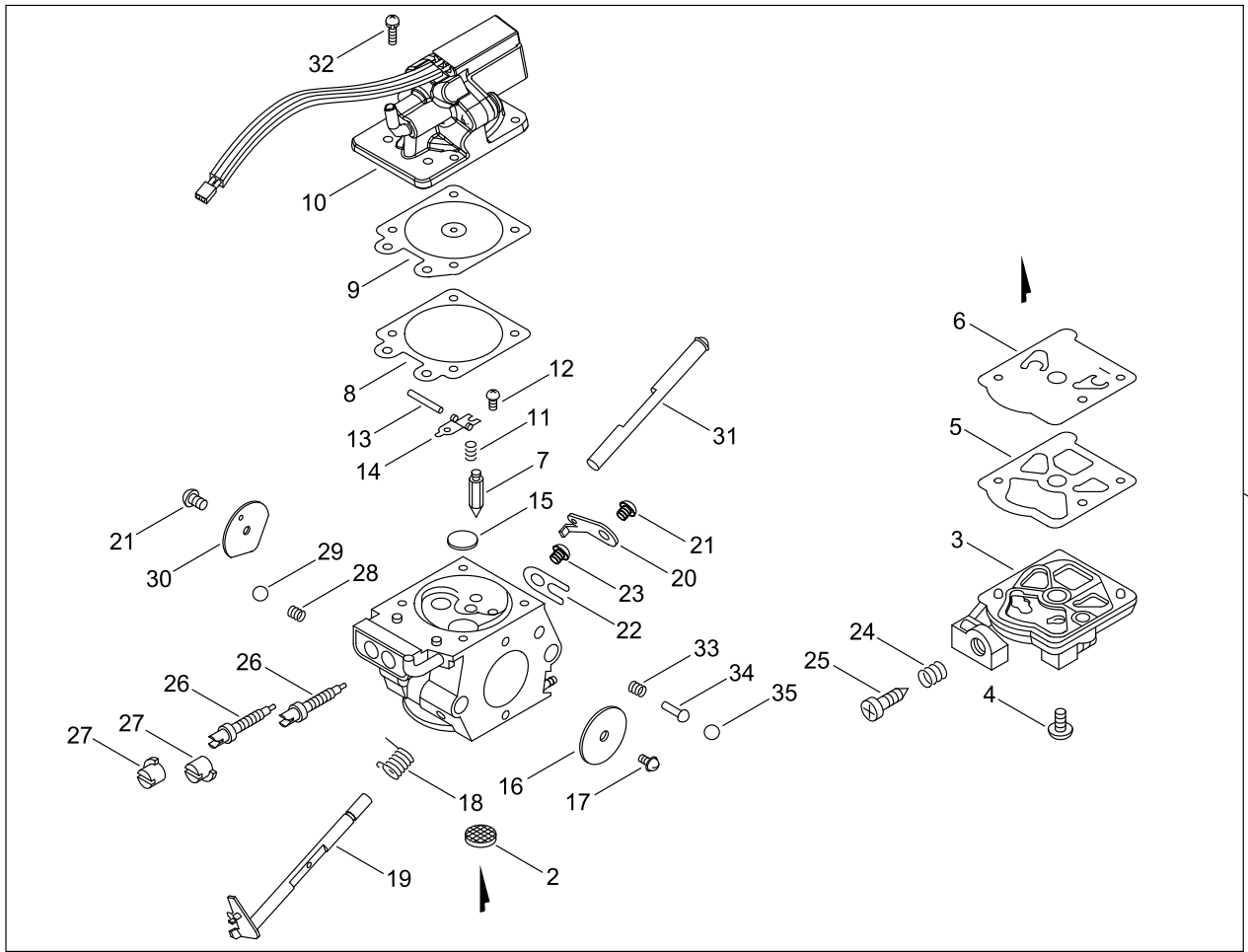
AIR CLEANER, CARBURETOR



AIR CLEANER, CARBURETOR

| Key No. | LV (+) | Part No | Description | Qty | Standard |
|---------|--------|-------------|--------------------------|-----|--------------------|
| 1 | | A021-004760 | CARBURETOR, DIAPHRAGM | 1 | WT-1216 |
| 2 | | V805-000040 | BOLT, TORX 5 | 2 | TT-5*55 DG 10.9 |
| 3 | | A202-000071 | BELLOWS, INTAKE | 1 | |
| 4 | | A206-000000 | HOLDER, BELLOWS | 1 | |
| 5 | | A200-000353 | INSULATOR, INTAKE | 1 | |
| 6 | | A204-000211 | ELBOW, CARBURETOR | 1 | |
| 7 | | A226-001420 | ELEMENT, AIR FILTER | 1 | |
| 8 | | V805-000010 | BOLT, TORX 5 | 2 | TT-5*20 DG 10.9 |
| 9 | | V805-000000 | BOLT, TORX 5 | 1 | TT-5*16 DG 10.9 |

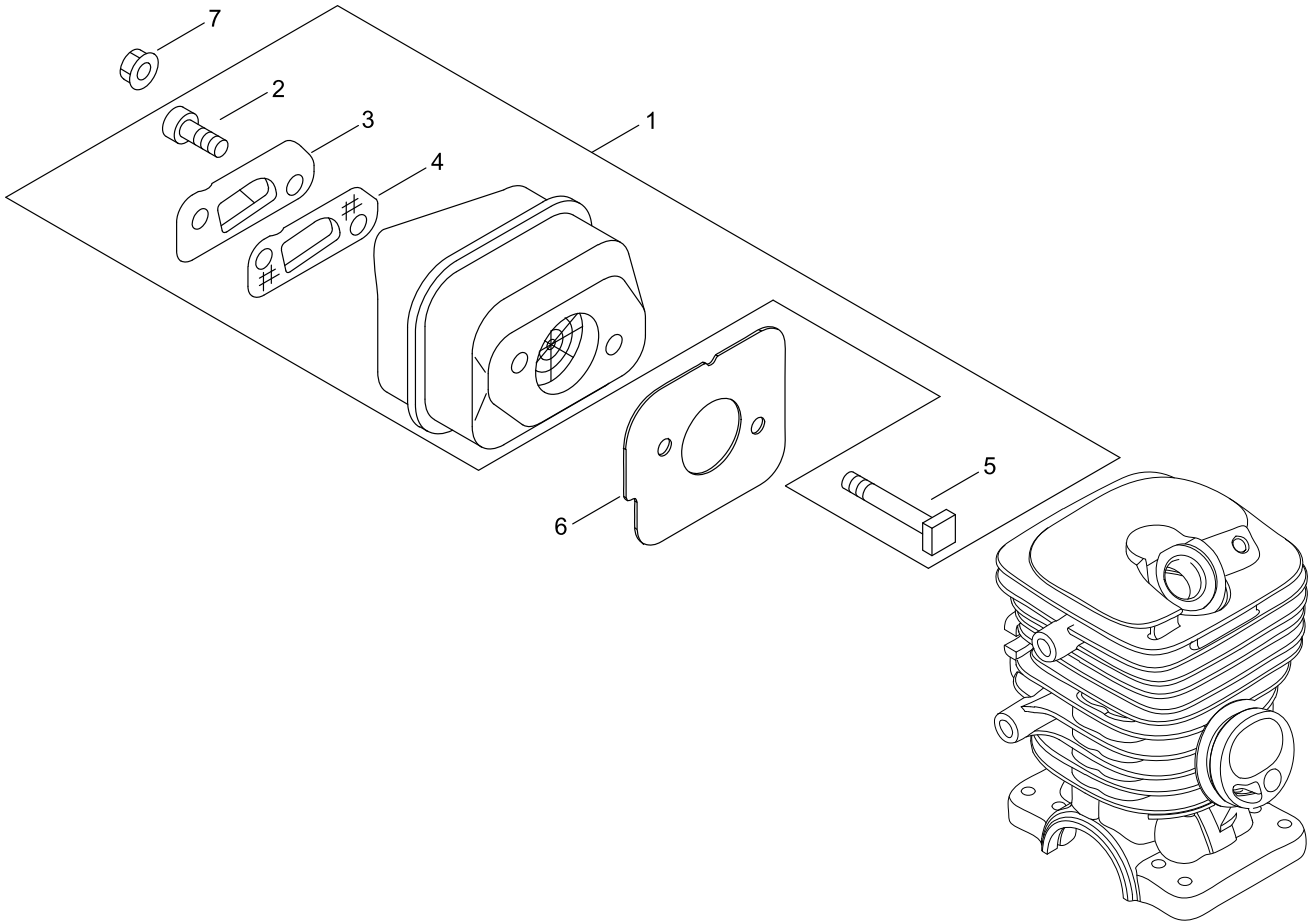
CARBURETOR



CARBURETOR

| Key No. | LV (+) | Part No | Description | Qty | Standard |
|---------|--------|--------------|-----------------------|-----|----------|
| 1 | | A021-004760 | CARBURETOR, DIAPHRAGM | 1 | WT-1216 |
| 2 | + | 123126-10631 | SCREEN, INLET | 1 | |
| 3 | + | 123124-09520 | COVER, FUEL PUMP | 1 | |
| 4 | + | 123110-03930 | SCREW, PUMP COVER | 1 | |
| 5 | + | 123125-15030 | GASKET, FUEL PUMP | 1 | |
| 6 | + | 123112-15030 | DIAPHRAGM, FUEL PUMP | 1 | |
| 7 | + | 123137-19830 | VALVE, INLET NEEDLE | 1 | |
| 8 | + | P003-006020 | GASKET, M. DIAPHRAGM | 1 | |
| 9 | + | P003-001850 | DIAPHRAGM, METERING | 1 | |
| 10 | + | P003-006030 | COVER ASY, METERING | 1 | |
| 11 | + | 123122-03660 | SPRING, METER. LEVER | 1 | |
| 12 | + | 123139-03930 | SCREW, M. LEVER PIN | 1 | |
| 13 | + | 123138-03930 | PIN, METERING LEVER | 1 | |
| 14 | + | 123123-03930 | LEVER, METERING | 1 | |
| 15 | + | 123146-10631 | PLUG, WELCH | 1 | |
| 16 | + | 123116-23230 | VALVE, THROTTLE | 1 | |
| 17 | + | P003-002380 | SCREW | 1 | |
| 18 | + | 123113-37530 | SPRING, THROTTLE RTN | 1 | |
| 19 | + | P003-002240 | SHAFT ASY, THROTTLE | 1 | |
| 20 | + | P003-001040 | LEVER THROTTLE | 1 | |
| 21 | + | 123114-38830 | SCREW | 2 | |
| 22 | + | 123127-03930 | CLIP, THROTTLE SHAFT | 1 | |
| 23 | + | P003-005120 | SCREW | 1 | |
| 24 | + | 123133-04260 | SPRING, IDLE ADJUST | 1 | |
| 25 | + | 123134-04260 | SCREW, IDLE ADJUST | 1 | |
| 26 | + | P003-006040 | NEEDLE | 2 | |
| 27 | + | P003-000010 | LIMITER CAP | 2 | |
| 28 | + | 123135-10630 | SPRING, CHOKE FRICT. | 1 | |
| 29 | + | 123136-10630 | BALL, CHOKE FRICTION | 1 | |
| 30 | + | P003-002250 | VALVE, CHOKE | 1 | |
| 31 | + | P003-006050 | SHAFT-CHOKE | 1 | |
| 32 | + | P003-006060 | SCREW | 4 | |
| 33 | + | 123186-09660 | SPRING, START VALVE | 1 | |
| 34 | + | 123185-09660 | PISTON ASSY | 1 | |
| 35 | + | 123136-09660 | BALL | 1 | |

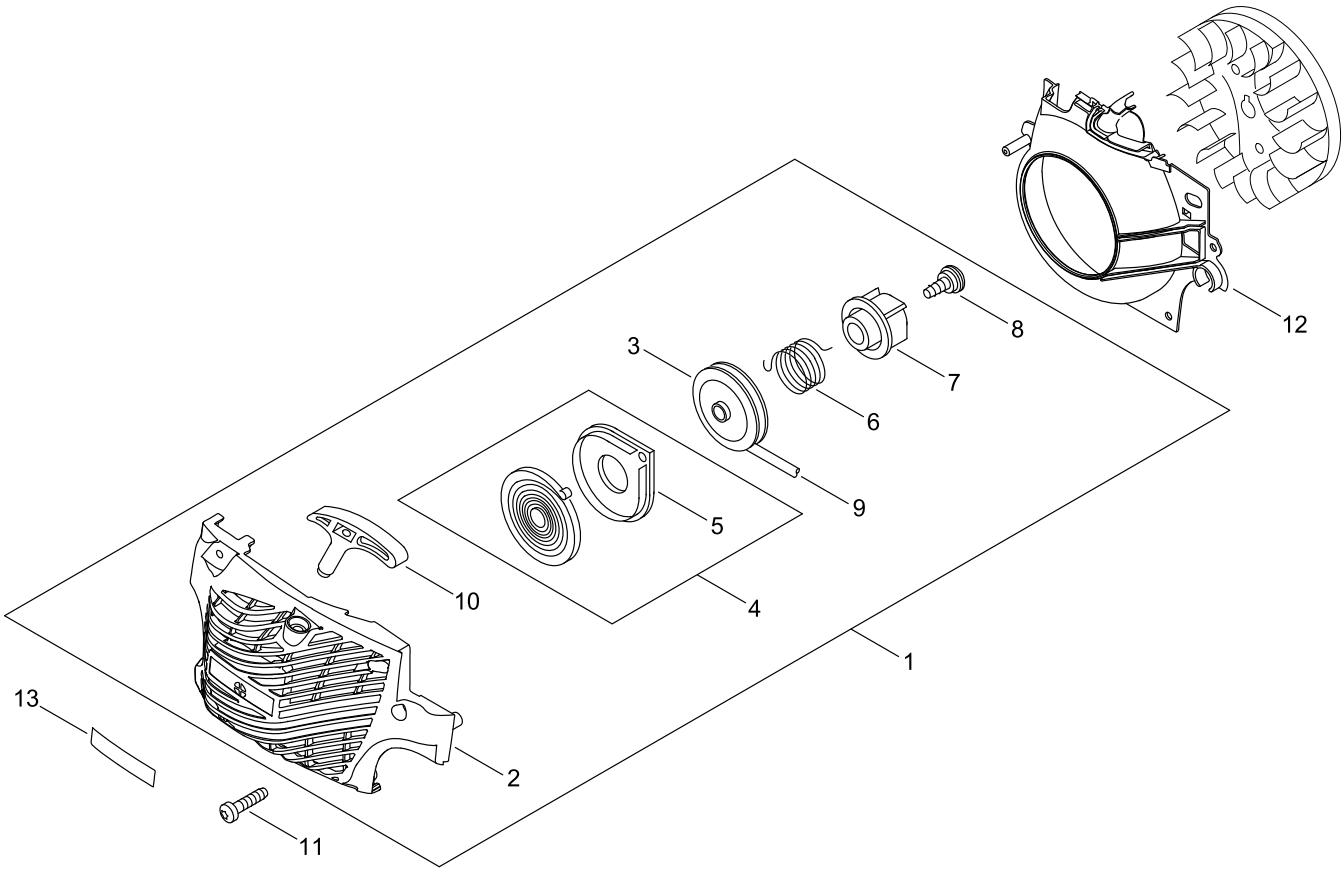
MUFFLER



MUFFLER

| Key No. | LV (+) | Part No | Description | Qty | Standard |
|---------|--------|--------------|------------------|-----|-------------|
| 1 | | P100-007710 | MUFFLER ASY | 1 | |
| 2 | + | V804-000030 | BOLT, TORX 4 | 2 | TB-4*8 10.9 |
| 3 | + | A313-001120 | GUIDE, EXHAUST | 1 | ID#1800 |
| 4 | + | A310-000060 | SCREEN, ARRESTOR | 1 | |
| 5 | + | V203-000120 | BOLT,5 | 2 | L=60 |
| 6 | | V104-000732 | GASKET,EXHAUST | 1 | |
| 7 | | 900516-00005 | NUT, FLANGE | 2 | 5 |

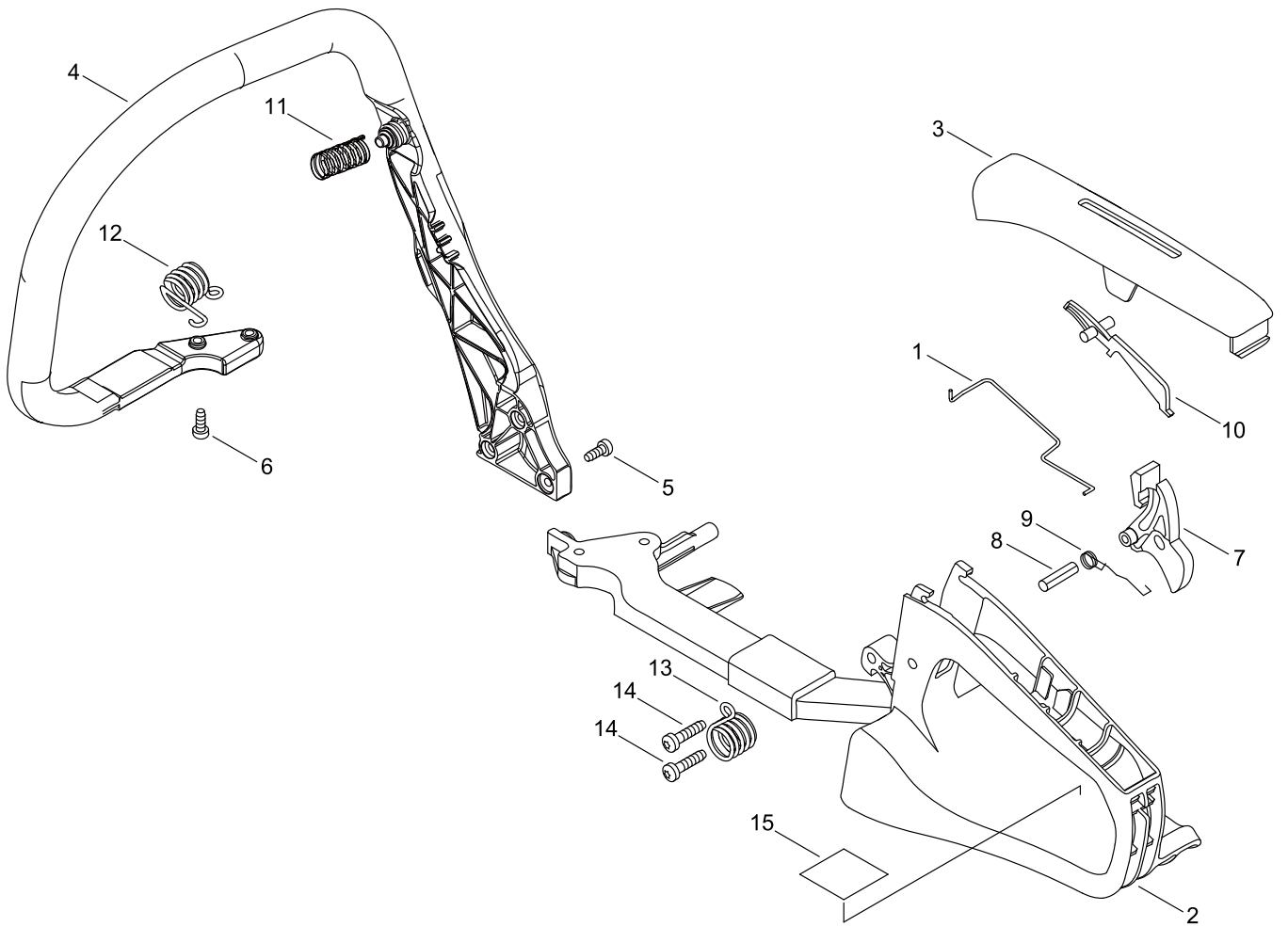
RECOIL STARTER



RECOIL STARTER

| Key No. | LV (+) | Part No | Description | Qty | Standard |
|---------|--------|--------------|--------------------|-----|--------------------|
| 1 | | A051-002741 | STARTER,RECOIL ASY | 1 | ASSY EMC |
| 2 | + | P022-039030 | STARTER CASE | 1 | |
| 3 | + | P022-039040 | DRUM, STARTER | 1 | |
| 4 | + | P022-039050 | SPRING KIT, REWIND | 1 | |
| 5 | ++ | P022-033280 | SPRING CASE | 1 | |
| 6 | + | V452-001320 | SPRING,TORSION | 1 | |
| 7 | + | P022-039060 | PLATE, CAM | 1 | |
| 8 | + | 177236-61830 | SCREW | 1 | |
| 9 | + | P022-035830 | ROPE, STARTER | 1 | |
| 10 | + | P022-035820 | GRIP, STARTER | 1 | |
| 11 | | V805-000010 | BOLT, TORX 5 | 4 | TT-5*20 DG 10.9 |
| 12 | | A172-003310 | COVER,FAN | 1 | |
| 13 | | X502-000670 | LABEL,ECHO | 1 | |

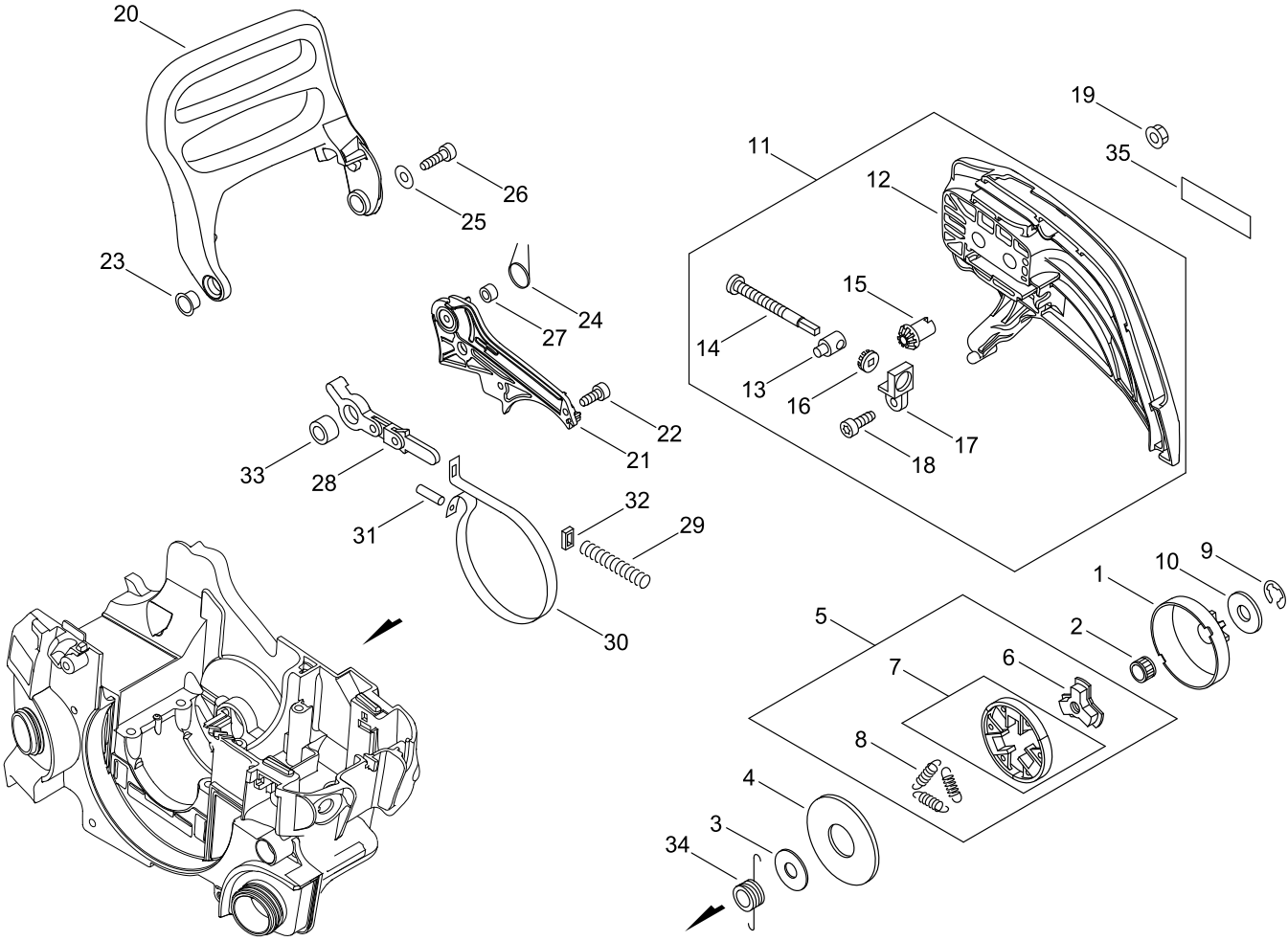
HANDLE



HANDLE

| Key No. | LV (+) | Part No | Description | Qty | Standard |
|---------|--------|--------------|--------------------|-----|--------------------|
| 1 | | C454-000160 | ROD, THROTTLE | 1 | |
| 2 | | C410-001030 | HANDLE,REAR | 1 | |
| 3 | | C411-000041 | LID,HANDLE | 1 | |
| 4 | | C400-001030 | HANDLE, FRONT | 1 | |
| 5 | | V805-000010 | BOLT, TORX 5 | 3 | TT-5*20 DG 10.9 |
| 6 | | V805-000000 | BOLT, TORX 5 | 2 | TT-5*16 DG 10.9 |
| 7 | | C450-000223 | TRIGGER,THROTTLE | 1 | |
| 8 | | 900345-40025 | PIN, SPRING | 1 | 4*25 |
| 9 | | V452-000260 | SPRING,TORSION | 1 | |
| 10 | | C460-000072 | LOCKOUT, THROTTLE | 1 | |
| 11 | | V450-001610 | SPRING,COMPRESSION | 1 | |
| 12 | | V450-000710 | SPRING,COMPRESSION | 1 | |
| 13 | | V450-001620 | SPRING,COMPRESSION | 1 | |
| 14 | | V805-000000 | BOLT, TORX 5 | 3 | TT-5*16 DG 10.9 |
| 15 | | 890345-39231 | LABEL,CAUTION | 1 | |

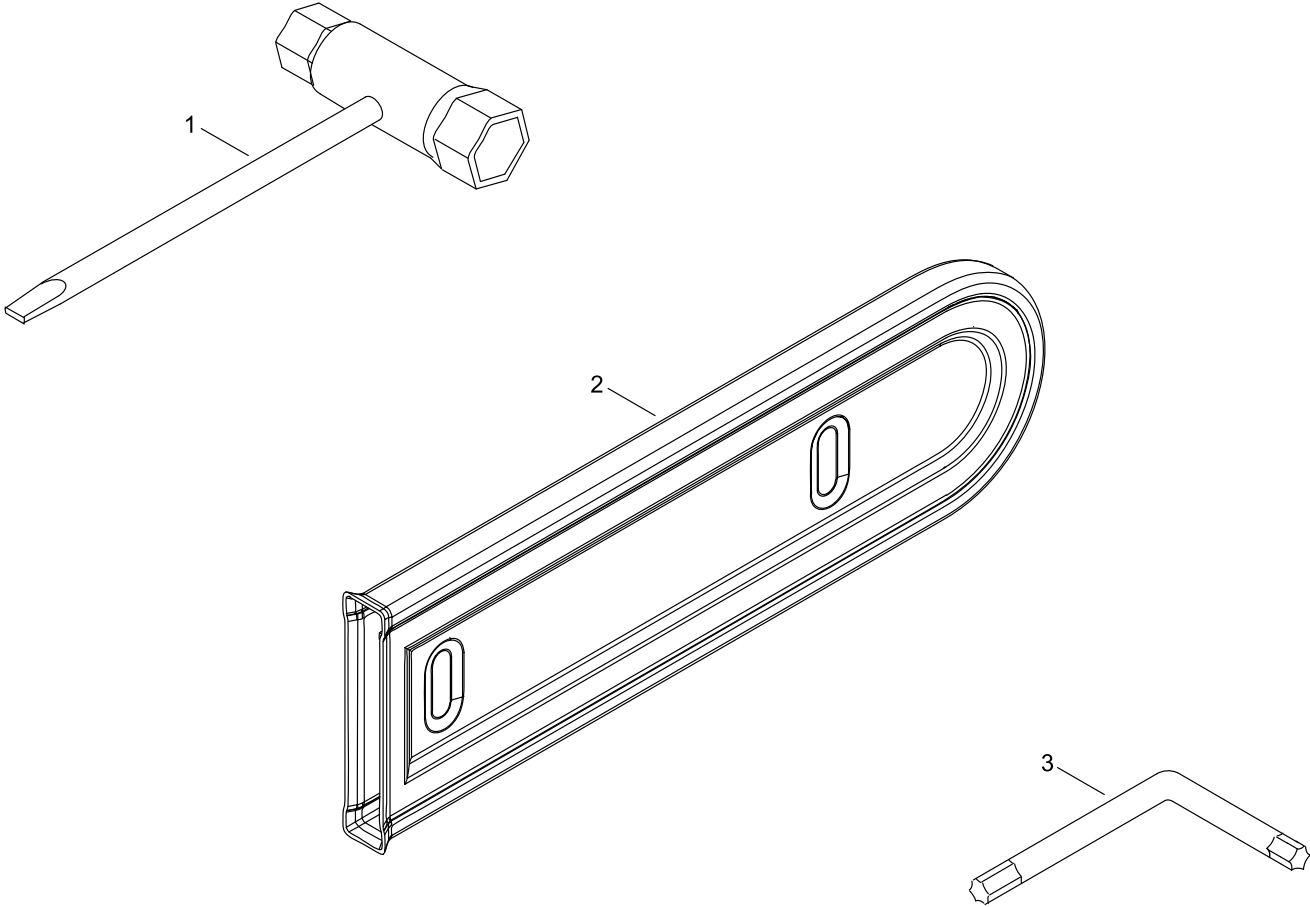
CHAIN BRAKE



CHAIN BRAKE

| Key No. | LV (+) | Part No | Description | Qty | Standard |
|---------|--------|--------------|--------------------|-----|--------------------|
| 1 | | A556-000543 | DRUM, CLUTCH | 1 | |
| 2 | | V553-000150 | BEARING,NEEDLE 8 | 1 | |
| 3 | | A551-000080 | PLATE, CLUTCH | 1 | |
| 4 | | A551-000140 | PLATE, CLUTCH | 1 | |
| 5 | | A056-000211 | CLUTCH ASY | 1 | |
| 6 | + | A552-000100 | HUB, CLUTCH | 1 | |
| 7 | + | P021-005811 | CLUTCH SHOE SET | 1 | |
| 8 | + | V451-000470 | SPRING,TENSION | 3 | |
| 9 | | V583-000120 | RING | 1 | |
| 10 | | 100143-19830 | WASHER | 1 | 8.2*31*0.8 |
| 11 | | P021-015112 | GUARD,SPROCKET KIT | 1 | |
| 12 | + | C300-000402 | GUARD, SPROCKET | 1 | |
| 13 | + | C309-000030 | TENSIONER,CHAIN | 1 | |
| 14 | + | V203-000110 | BOLT,5 | 1 | |
| 15 | + | V651-000001 | GEAR,BEVEL | 1 | |
| 16 | + | V651-000011 | GEAR,BEVEL | 1 | |
| 17 | + | V355-000140 | COLLAR,8 | 1 | |
| 18 | + | V804-000000 | BOLT, TORX 4 | 1 | TT-4*12 DG 10.9 |
| 19 | | V265-000200 | NUT | 2 | |
| 20 | | C320-000173 | LEVER, BRAKE | 1 | |
| 21 | | C345-000660 | COVER,BRAKE | 1 | |
| 22 | | V804-000000 | BOLT, TORX 4 | 3 | TT-4*12 DG 10.9 |
| 23 | | V356-000430 | COLLAR,10 | 1 | |
| 24 | | V452-000250 | SPRING,TORSION | 1 | |
| 25 | | 177214-03930 | WASHER | 1 | |
| 26 | | V804-000020 | BOLT, TORX 4 | 1 | TT-4*20 DG 10.9 |
| 27 | | 433116-35430 | SPACER 8 | 1 | 8*12*9 |
| 28 | | C334-000100 | CONNECTOR, BRAKE | 1 | |
| 29 | | V450-000070 | SPRING,COMPRESSION | 1 | |
| 30 | | C328-000030 | BAND,BRAKE | 1 | |
| 31 | | 93050-30098 | ROLLER | 1 | 3*9.8 |
| 32 | | V376-000450 | SPACER | 1 | |
| 33 | | 433116-35430 | SPACER 8 | 1 | 8*12*9 |
| 34 | | V652-000040 | GEAR,WORM | 1 | |
| 35 | | X502-000340 | LABEL,ECHO | 1 | ECHO(WHITE) |



ACCESSORIES



ACCESSORIES

| Key No. | LV (+) | Part No | Description | Qty | Standard |
|---------|--------|-------------|----------------|-----|------------|
| 1 | | X602-000080 | TOOL,WRENCH | 1 | 13*19 L180 |
| 2 | | X490-000510 | SCABBARD,CHAIN | 1 | 350 |
| 3 | | X605-000170 | TOOL,L WRENCH | 1 | |

GUIDE BAR, CHAIN

| Pitch ピッチ (inch) (mm) | Gauge ゲージ (inch) (mm) | Length 長さ (cm) | Guide Bar ガイドバー | | Saw Chain ソーチェーン | | Hard Nose ハード ノーズ  | Sprocket Nose スプロケット ノーズ  |
|------------------------------------|------------------------------------|--------------------------|--------------------|-----------------|---------------------|------------|---|--|
| | | | Key No | Type 形式 | Key No | Type 形式 | | |
| 3/8 9.53 | 0.043 1.09 | 30 | A1 | C30S90-45SA- ET | A2 | 90PX-45E | | ● |
| 3/8 9.53 | 0.050 1.27 | 30 | B1 | C30S91-47ML- EC | B2 | 91PX-47E | | ● |
| 3/8 9.53 | 0.050 1.27 | 30 | C1 | C30S91-47ML- EC | C2 | 91VXL-47E | | ● |
| 3/8 9.53 | 0.043 1.09 | 35 | D1 | C35S90-52SA- ET | D2 | 90PX-52E | | ● |
| 3/8 9.53 | 0.050 1.27 | 35 | E1 | C35S91-53ML- EC | E2 | 91PX-53E | | ● |
| 3/8 9.53 | 0.050 1.27 | 35 | F1 | C35S91-53ML- EC | F2 | 91VXL-53E | | ● |

GUIDE BAR, CHAIN

| Key No. | LV (+) | Part No | Description | Qty | Standard |
|---------|--------|-------------|--------------|-----|----------------|
| A1 | | X122-000181 | BAR,GUIDE 30 | 1 | C30S90-45SA-ET |
| A2 | | X222-000150 | CHAIN,SAW | 1 | 90PX-45E 43 |
| B1 | | X122-000341 | BAR,GUIDE 30 | 1 | C30S91-47ML-EC |
| B2 | | X222-000140 | CHAIN,SAW | 1 | 91PX-47E |
| C1 | | X122-000341 | BAR,GUIDE 30 | 1 | C30S91-47ML-EC |
| C2 | | X222-000130 | CHAIN,SAW | 1 | 91VXL-47E |
| D1 | | X123-000231 | BAR,GUIDE 35 | 1 | C35S90-52SA-ET |
| D2 | | X223-000150 | CHAIN,SAW | 1 | 90PX-52E |
| E1 | | X123-000551 | BAR,GUIDE 35 | 1 | C35S91-53ML-EC |
| E2 | | X223-000130 | CHAIN,SAW | 1 | 91PX-53E |
| F1 | | X123-000551 | BAR,GUIDE 35 | 1 | C35S91-53ML-EC |
| F2 | | X223-000080 | CHAIN,SAW | 1 | 91VXL-53E |

NUMERICAL PARTS INDEX

| Part No | Part description | Page | Part No | Part description | Page | Part No | Part description | Page |
|--------------|----------------------|------|--------------|--------------------------|------|-------------|----------------------|------|
| 100013-15330 | PIN, PISTON | 2 | 900720-00018 | O-RING | 4 | C617-000500 | STOPPER | 4 |
| 100014-11520 | SPACER, PISTON PIN | 2 | 93050-30098 | ROLLER | 18 | E123-000060 | CONNECTOR,BRACKET | 4 |
| 100015-04630 | CIRCLIP, PISTON PIN | 2 | 94035-36201 | BEARING, BALL | 2 | J485-000200 | HINGE | 4 |
| 100142-12330 | KEY, WOODRUFF | 6 | A021-004760 | CARBURETOR, DIAPHRAGM | 8 | P003-000010 | LIMITER CAP | 10 |
| 100143-19830 | WASHER | 18 | A021-004760 | CARBURETOR, DIAPHRAGM | 10 | P003-001040 | LEVER THROTTLE | 10 |
| 100927-35830 | PIPE | 4 | | | | P003-001850 | DIAPHRAGM, METERING | 10 |
| 123110-03930 | SCREW, PUMP COVER | 10 | A051-002741 | STARTER,RECOIL ASY | 14 | P003-002240 | SHAFT ASY,THROTTLE | 10 |
| 123112-15030 | DIAPHRAGM, FUEL PUMP | 10 | A056-000211 | CLUTCH ASY | 18 | P003-002250 | VALVE, CHOKE | 10 |
| 123113-37530 | SPRING, THROTTLE RTN | 10 | A101-000580 | RING, PISTON | 2 | P003-002380 | SCREW | 10 |
| 123114-38830 | SCREW | 10 | A172-003310 | COVER,FAN | 14 | P003-005120 | SCREW | 10 |
| 123116-23230 | VALVE, THROTTLE | 10 | A200-000353 | INSULATOR, INTAKE | 8 | P003-006020 | GASKET, M. DIAPHRAGM | 10 |
| 123122-03660 | SPRING, METER. LEVER | 10 | A202-000071 | BELLOWS, INTAKE | 8 | P003-006030 | COVER ASY, METERING | 10 |
| 123123-03930 | LEVER, METERING | 10 | A204-000211 | ELBOW, CARBURETOR | 8 | P003-006040 | NEEDLE | 10 |
| 123124-09520 | COVER, FUEL PUMP | 10 | A206-000000 | HOLDER, BELLOWS | 8 | P003-006050 | SHAFT-CHOKE | 10 |
| 123125-15030 | GASKET, FUEL PUMP | 10 | A226-001420 | ELEMENT, AIR FILTER | 8 | P003-006060 | SCREW | 10 |
| 123126-10631 | SCREEN, INLET | 10 | A310-000060 | SCREEN, ARRESTOR | 12 | P021-005581 | CAP ASY | 4 |
| 123127-03930 | CLIP, THROTTLE SHAFT | 10 | A313-001120 | GUIDE, EXHAUST | 12 | P021-005811 | CLUTCH SHOE SET | 18 |
| 123133-04260 | SPRING, IDLE ADJUST | 10 | A356-000031 | VALVE,CHECK | 4 | P021-015072 | CRANKSHAFT,ASSY | 2 |
| 123134-04260 | SCREW, IDLE ADJUST | 10 | A365-000050 | CONNECTOR,CAP | 4 | P021-015112 | GUARD,SPROCKET KIT | 18 |
| 123135-10630 | SPRING, CHOKE FRICT. | 10 | A369-000420 | STRAINER, FUEL | 4 | P021-035190 | CRANKCASE KIT | 2 |
| 123136-09660 | BALL | 10 | A409-000350 | ROTOR, MAGNETO | 6 | P021-035201 | PISTON KIT | 2 |
| 123136-10630 | BALL, CHOKE FRICTION | 10 | A411-001760 | COIL, IGNITION | 6 | P021-037920 | FUEL CAP ASY | 4 |
| 123137-19830 | VALVE, INLET NEEDLE | 10 | A425-000000 | SPARKPLUG | 6 | P022-033280 | SPRING CASE | 14 |
| 123138-03930 | PIN, METERING LEVER | 10 | A426-000020 | TERMINAL,SPARKPLUG | 6 | P022-035820 | GRIP, STARTER | 14 |
| 123139-03930 | SCREW, M. LEVER PIN | 10 | A427-000020 | CAP,SPARK PLUG | 6 | P022-035830 | ROPE, STARTER | 14 |
| 123146-10631 | PLUG, WELCH | 10 | A440-001190 | SWITCH, ON OFF | 4 | P022-039030 | STARTER CASE | 14 |
| 123181-39130 | PUMP, PRIMER | 4 | A514-000020 | PAWL | 6 | P022-039040 | DRUM, STARTER | 14 |
| 123185-09660 | PISTON ASSY | 10 | A551-000080 | PLATE, CLUTCH | 18 | P022-039050 | SPRING KIT, REWIND | 14 |
| 123186-09660 | SPRING, START VALVE | 10 | A551-000140 | PLATE, CLUTCH | 18 | P022-039060 | PLATE, CAM | 14 |
| 130110-05261 | PIPE 3* 6*185 | 4 | A552-000100 | HUB, CLUTCH | 18 | P100-001900 | STRAINER, OIL | 4 |
| 130338-32430 | PLUG, COVER | 4 | A556-000543 | DRUM, CLUTCH | 18 | P100-004330 | CYLINDER COVER ASY | 4 |
| 132115-01462 | GROMMET | 4 | C022-000190 | AUTO-OILER ASSEMBLY | 4 | P100-007700 | ENGINE COVER ASY | 4 |
| 132115-44331 | GROMMET, FUEL | 4 | C300-000402 | GUARD, SPROCKET | 18 | P100-007710 | MUFFLER ASY | 12 |
| 177214-03930 | WASHER | 18 | C309-000030 | TENSIONER,CHAIN | 18 | V104-000732 | GASKET,EXHAUST | 12 |
| 177234-35430 | SPRING, RETURN | 6 | C320-000173 | LEVER, BRAKE | 18 | V137-000001 | GROMMET,FUEL | 4 |
| 177236-61830 | SCREW | 14 | C328-000030 | BAND,BRAKE | 18 | V186-000510 | JOINT,PIPE | 4 |
| 177247-04630 | SPACER, RATCHET | 6 | C334-000100 | CONNECTOR, BRAKE | 18 | V203-000080 | BOLT,5 | 6 |
| 433116-35430 | SPACER 8 | 18 | C345-000660 | COVER,BRAKE | 18 | V203-000110 | BOLT,5 | 18 |
| 436114-13930 | VALVE, CHECK | 4 | C400-001030 | HANDLE, FRONT | 16 | V203-000120 | BOLT,5 | 12 |
| 890157-39131 | LABEL, SWITCH | 4 | C410-001030 | HANDLE,REAR | 16 | V225-000370 | BOLT,STUD 8 | 4 |
| 890345-39231 | LABEL,CAUTION | 16 | C411-000041 | LID,HANDLE | 16 | V265-000200 | NUT | 18 |
| 900345-40025 | PIN, SPRING | 16 | C450-000223 | TRIGGER,THROTTLE | 16 | V341-000120 | WASHER,SQUARE | 4 |
| 900515-00008 | NUT, FLANGE | 6 | C454-000160 | ROD, THROTTLE | 16 | V355-000140 | COLLAR,8 | 18 |
| 900516-00005 | NUT, FLANGE | 12 | C460-000072 | LOCKOUT, THROTTLE | 16 | V356-000430 | COLLAR,10 | 18 |
| 900603-00005 | WASHER | 6 | C463-000100 | KNOB, LATCH | 4 | V376-000450 | SPACER | 18 |

NUMERICAL PARTS INDEX

| Part No | Part description | Page | Part No | Part description | Page |
|-------------|--------------------|------|-------------|------------------|------|
| V376-002500 | SPACER | 6 | X222-000130 | CHAIN,SAW | 22 |
| V420-001790 | CUSHION | 4 | X222-000140 | CHAIN,SAW | 22 |
| V450-000070 | SPRING,COMPRESSION | 18 | X222-000150 | CHAIN,SAW | 22 |
| V450-000710 | SPRING,COMPRESSION | 16 | X223-000080 | CHAIN,SAW | 22 |
| V450-001610 | SPRING,COMPRESSION | 16 | X223-000130 | CHAIN,SAW | 22 |
| V450-001620 | SPRING,COMPRESSION | 16 | X223-000150 | CHAIN,SAW | 22 |
| V451-000470 | SPRING,TENSION | 18 | X490-000510 | SCABBARD,CHAIN | 20 |
| V452-000250 | SPRING,TORSION | 18 | X502-000340 | LABEL,ECHO | 18 |
| V452-000260 | SPRING,TORSION | 16 | X502-000670 | LABEL,ECHO | 14 |
| V452-001320 | SPRING,TORSION | 14 | X503-015240 | LABEL,MODEL | 4 |
| V456-000240 | HOLDER,SPRING | 2 | X524-001901 | LABEL | 4 |
| V470-000810 | PIPE | 4 | X602-000080 | TOOL,WRENCH | 20 |
| V471-001281 | PIPE | 4 | X605-000170 | TOOL,L WRENCH | 20 |
| V471-001561 | PIPE | 4 | | | |
| V471-002171 | PIPE | 4 | | | |
| V485-001070 | LEAD | 4 | | | |
| V485-001080 | LEAD | 4 | | | |
| V490-000400 | CLIP | 4 | | | |
| V490-001240 | CLIP | 4 | | | |
| V505-000011 | SEAL,OIL 12 | 2 | | | |
| V553-000060 | BEARING,NEEDLE 8 | 2 | | | |
| V553-000150 | BEARING,NEEDLE 8 | 18 | | | |
| V581-000610 | RING,O | 4 | | | |
| V583-000120 | RING | 18 | | | |
| V622-000070 | PIN,STRAIGHT 4 | 4 | | | |
| V651-000001 | GEAR,BEVEL | 18 | | | |
| V651-000011 | GEAR,BEVEL | 18 | | | |
| V652-000040 | GEAR,WORM | 18 | | | |
| V804-000000 | BOLT, TORX 4 | 18 | | | |
| V804-000020 | BOLT, TORX 4 | 18 | | | |
| V804-000030 | BOLT, TORX 4 | 12 | | | |
| V805-000000 | BOLT, TORX 5 | 8 | | | |
| V805-000000 | BOLT, TORX 5 | 16 | | | |
| V805-000010 | BOLT, TORX 5 | 8 | | | |
| V805-000010 | BOLT, TORX 5 | 14 | | | |
| V805-000010 | BOLT, TORX 5 | 16 | | | |
| V805-000040 | BOLT, TORX 5 | 8 | | | |
| V805-000140 | BOLT, TORX 5 | 2 | | | |
| V805-000180 | BOLT, TORX 5 | 4 | | | |
| V805-000210 | BOLT, TORX 5 | 6 | | | |
| V805-000220 | BOLT, TORX 5 | 2 | | | |
| X122-000181 | BAR,GUIDE 30 | 22 | | | |
| X122-000341 | BAR,GUIDE 30 | 22 | | | |
| X123-000231 | BAR,GUIDE 35 | 22 | | | |
| X123-000551 | BAR,GUIDE 35 | 22 | | | |