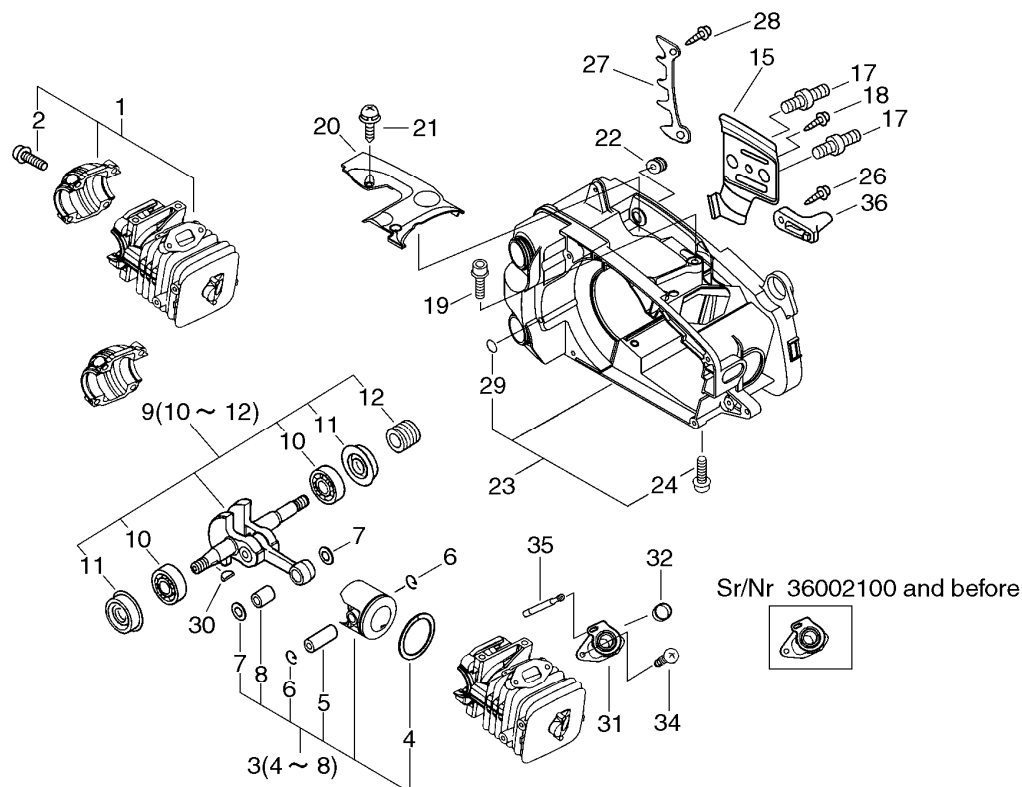




PARTS CATALOG

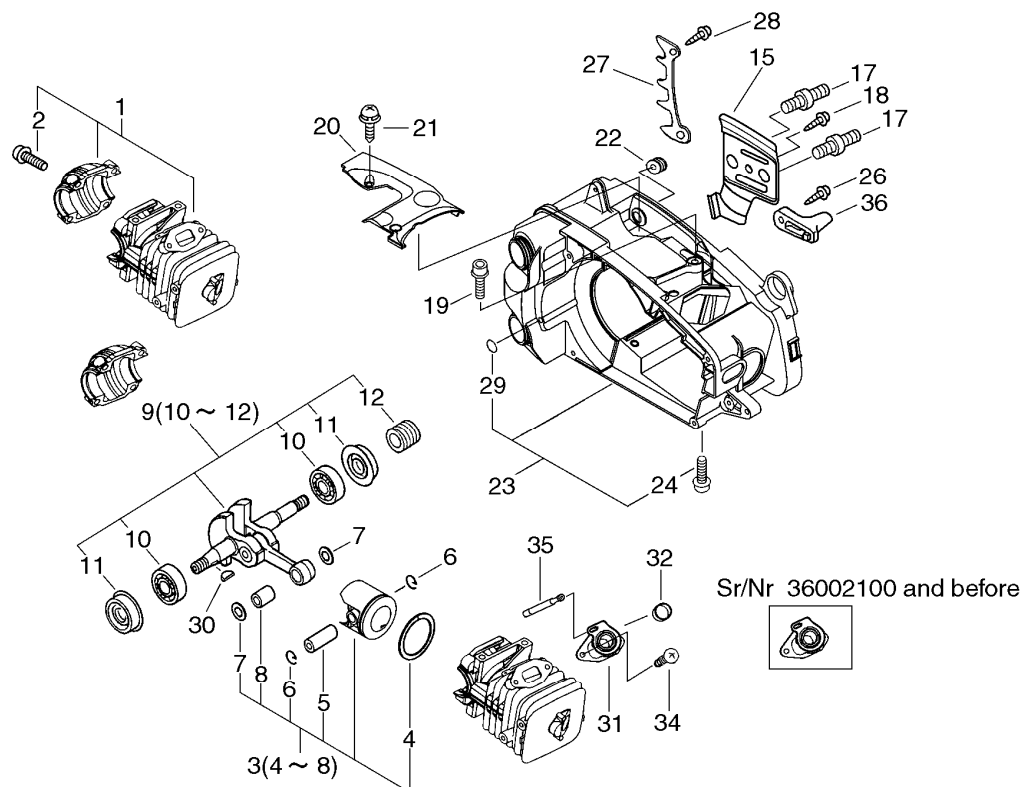
TOP HANDLE SAW CS-320T

1. Cylinder, Crankcase, Piston



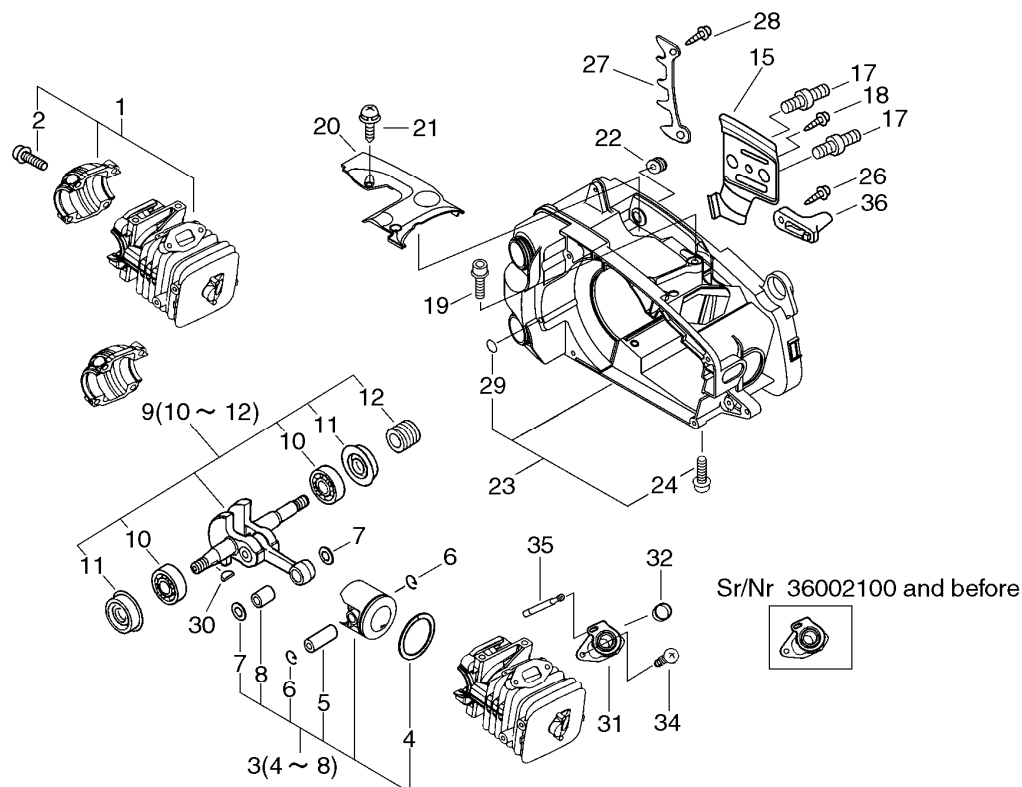
KEY	LV	PART NUMBER	Q'TY	DESCRIPTION	REMARKS	NOTE1	NOTE2
1		P021-005490	1	CRANKCASE SET		Sus. by P021-005491	
1		P021-005491	1	CRANKCASE SET			
2	+	900162-05025	4	BOLT, H.S. 5*25	5*25 W,SW		
3		P021-005500	1	PISTON KIT			
4	+	100011-46430	1	RING, PISTON			
5	+	100013-15330	1	PIN, PISTON	5.5*8*29		
6	+	100015-04630	2	CIRCLIP, PISTON PIN			
7	+	100014-60930	2	SPACER, PISTON PIN			
8	+	V553-000040	1	BEARING, NEEDLE 8	8E- KV8X11X11.8XS		
9		P021-005510	1	CRANKSHAFT ASY		Sus. by P021005511	
9		P021-005511	1	CRANKSHAFT ASY			
10	+	94035-36201	2	BEARING BALL	6201X3JR2C3		
11	+	V505-000010	2	SEAL, OIL 12			
12	+	V652-000010	1	GEAR, WORM			
15		C305-000060	1	PLATE, SPROCKET GUARD		Sus. by C305-000061	
15		C305-000061	1	PLATE, SPROCKET GUARD		Sr/Nr 35003521 to 36001200	
15		C305-000070	1	PLATE, SPROCKET GUARD		Sr/Nr 36001201 and after	
17		V225-000030	1	BOLT, STUD 8			
17		433011-03931	2	STUD, GUIDE BAR			

1. Cylinder, Crankcase, Piston



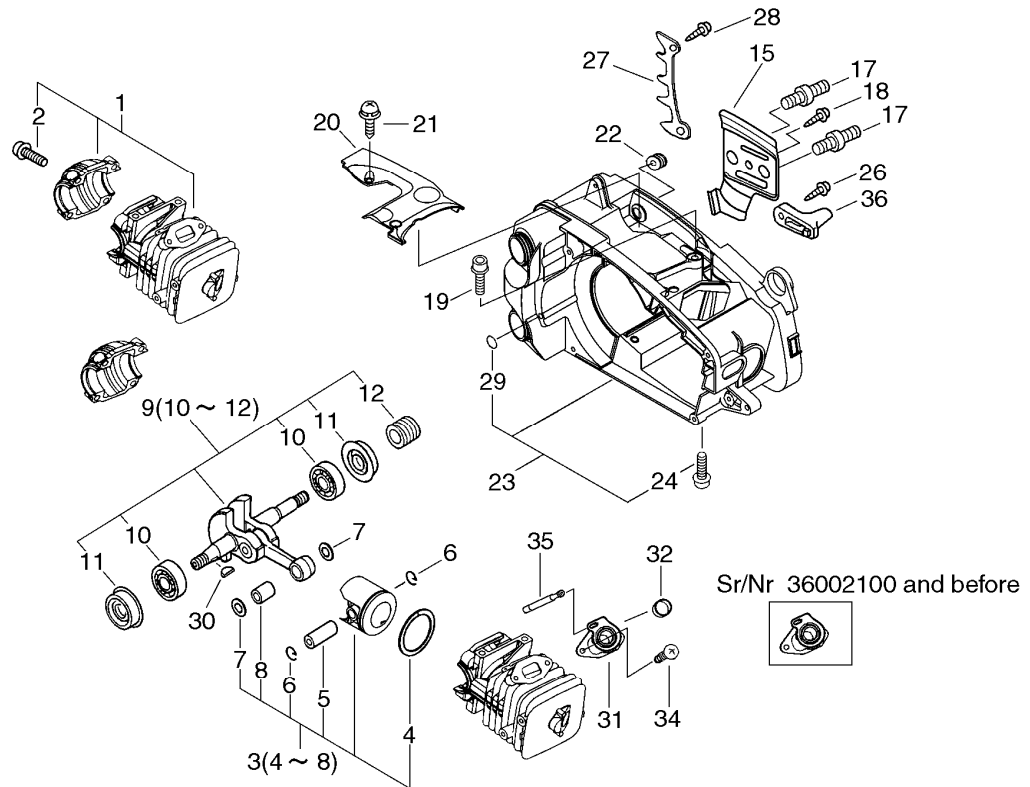
KEY	LV	PART NUMBER	Q'TY	DESCRIPTION	REMARKS	NOTE1	NOTE2
18		V202-000011	1	BOLT,4	4*12	Sus. by V202-000011 Q'ty:2	
18		V202-000011	2	BOLT,4	4*12	Sr/Nr 36001200 and before	
18		900253-04010	1	SCREW 4*10	4*10	Sr/Nr 36001201 and after	
19		900106-05020	4	BOLT, H.S. 5*20	5*20	Sus. by 900106-05020 Q'ty:2	
19		900106-05020	2	BOLT, H.S. 5*20	5*20		
20		A127-000050	1	COVER,DUST			
21		900253-04012	2	SCREW	4*12		
22		163911-30130	1	PLUG			
23		P021-004981	1	COVER ENGINE		Sus. by P021-004988	
23		P021-004982	1	COVER ENGINE		Sus. by P021-004988	
23		P021-004983	1	COVER ENGINE		Sus. by P021-004988	
23		P021-004984	1	COVER ENGINE		Sus. by P021-004988	
23		P021-004985	1	COVER ENGINE		Sus. by P021-004988	
23		P021-004986	1	COVER ENGINE		Sus. by P021-004988	

1. Cylinder, Crankcase, Piston



KEY	LV	PART NUMBER	Q'TY	DESCRIPTION	REMARKS	NOTE1	NOTE2
23		P021-004987	1	COVER ENGINE		Sus. by P021-004988	
23		P021-004988	1	COVER ENGINE		Sr/Nr 36001200 and before	
23		P021-008670	1	COVER ENGINE		Sus. by P021-008671	
23		P021-008671	1	COVER,ENGINE		Sr/Nr 36001201 and after	
23		P021-008672	1	COVER,ENGINE		Sus. by P021-008675	
23		P021-008673	1	COVER,ENGINE		Sus. by P021-008675	
23		P021-008674	1	COVER,ENGINE KIT		Sus. by P021-008675	
24	+	900106-05030	2	BOLT, H.S.H. 5*30	5*30		
29	+	900724-00004	1	O-RING (S-4)	S-4		
25		433026-35430	1	CATCHER, CHAIN			
26		900253-05020	1	SCREW 5*20	5*20		
27		C304-000000	1	SPIKE			
28		900253-05020	1	SCREW 5*20	5*20		
30		100142-12330	1	KEY, WOODRUFF			
31		A202-000030	1	BELLOWS,INTAKE		Sus. by A202-000032	
31		A202-000031	1	BELLOWS,INTAKE		Sus. by A202-000032	

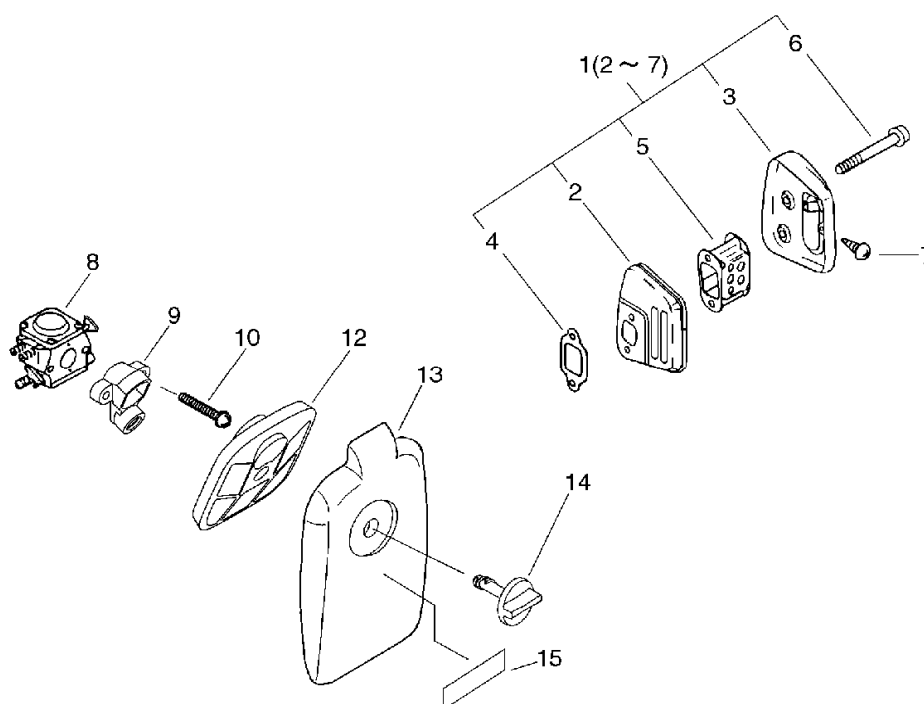
1. Cylinder, Crankcase, Piston



KEY	LV	PART NUMBER	Q'TY	DESCRIPTION	REMARKS	NOTE1	NOTE2
31		A202-000032	1	BELLOWS,INTAKE		Sr/Nr 36002100 and before	
32		V359-000060	1	COLLAR,16			
34		91420-05012	2	SCREW	5*12	Sus. by 900238-05012	
34		900238-05012	2	SCREW 5*12	5*12		
35		V470-000480	1	PIPE		Sus. by V470-000481	
35		V470-000481	1	PIPE	3*7*65		

2. Air Cleaner, Muffler

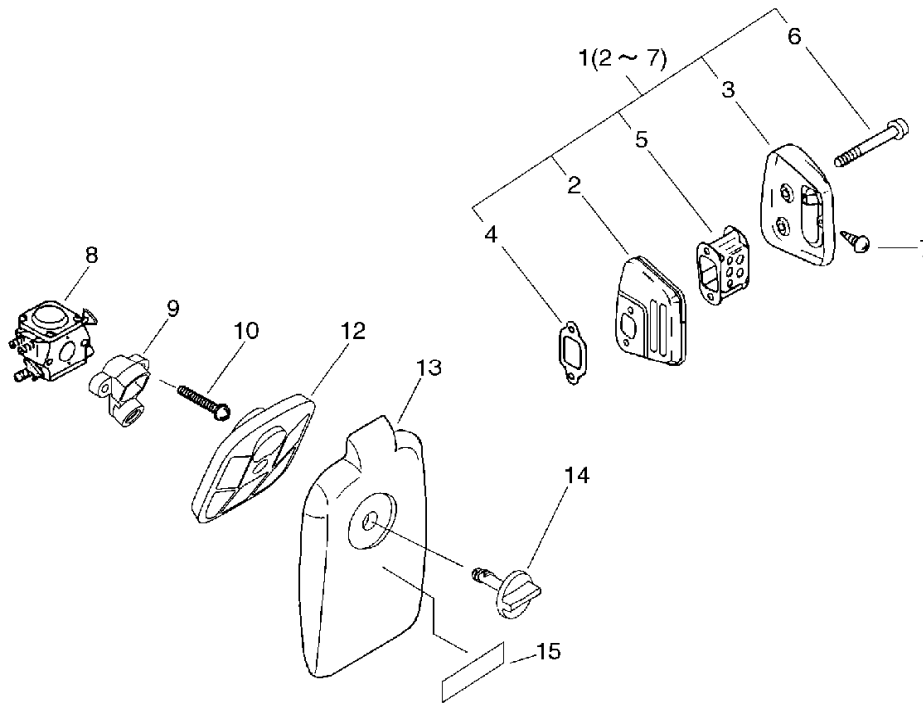
No.2



KEY	LV	PART NUMBER	Q'TY	DESCRIPTION	REMARKS	NOTE1	NOTE2
1		P021-004950	1	MUFFLER ASY		Sus. by P021-004952	
1		P021-004951	1	MUFFLER ASY		Sus. by P021-004952	
1		P021-004952	1	MUFFLER ASY			
2	+	A300-000370	1	MUFFLER,EXHAUST			
3	+	A303-000040	1	LID,MUFFLER		Sus. by P021-008650	
3	+	A303-000041	1	LID,MUFFLER		Sus. by P021-008650	
3	+	P021-008650	1	MUFFLER LID ASY			
4	+	145510-13931	1	GASKET, MUFFLER			
5	+	A301-000000	1	PLATE,MUFFLER			
6	+	91107-05040	2	BOLT HSH FLANGE	5*40		
7	+	900250-04008	1	SCREW 4*8	4*8		
8		A021-000600	1	CARBURETOR,DIAPHRAGM	WT-647	Sus. by A021-000601	
8		A021-000601	1	CARBURETOR,DIAPHRAGM	WT-647	Sr/Nr 36001000 and before	
8		A021-000860	1	CARBURETOR,DIAPHRAGM	WT-698	Sus. by A021-000862	
8		A021-000861	1	CARBURETOR,DIAPHRAGM	WT-698A	Sus. by A021-000862	
8		A021-000862	1	CARBURETOR,DIAPHRAGM	WT-698A	Sr/Nr 36001001 and after	

2. Air Cleaner, Muffler

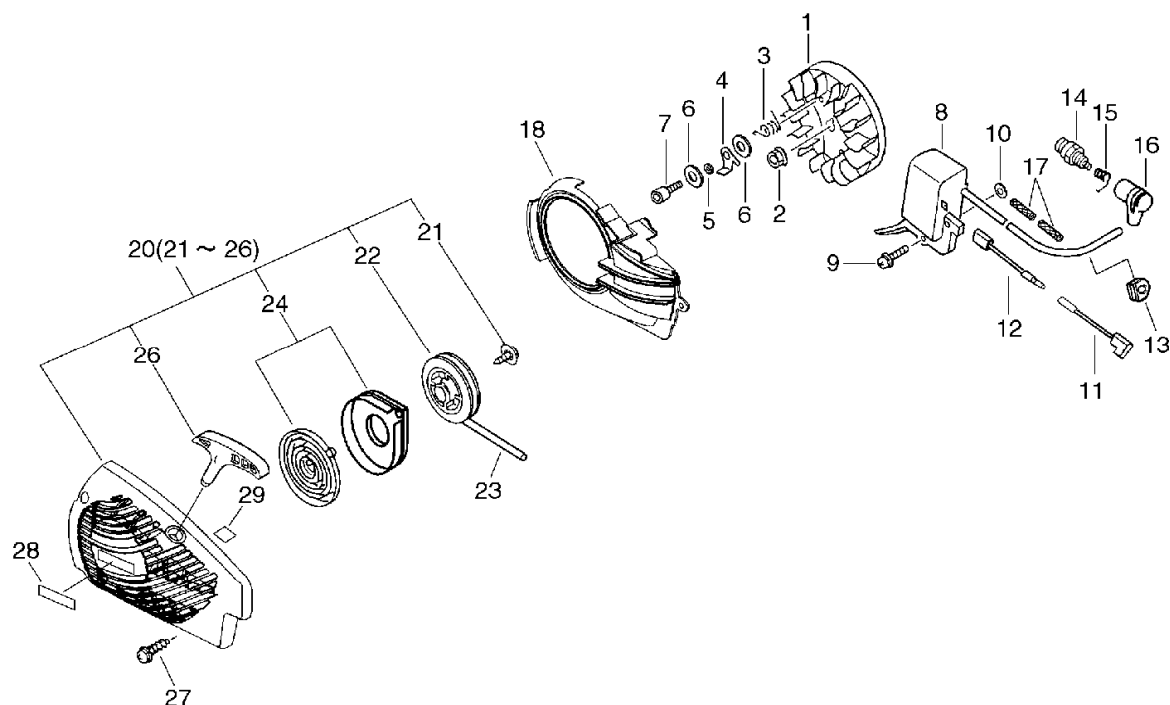
No.2



KEY	LV	PART NUMBER	Q'TY	DESCRIPTION	REMARKS	NOTE1	NOTE2
9		A204-000050	1	ELBOW,CARBURETOR		Sus. by A204-000041	
9		A204-000051	1	ELBOW,CARBURETOR		Sus. by A204-000041	
9		A204-000052	1	ELBOW,CARBURETOR		Sus. by A204-000041	
9		A204-000041	1	ELBOW,CARBURETOR			
10		900238-05050	2	SCREW 5*50	5*50		
12		A226-000180	1	ELEMENT,AIR FILTER			
13		A232-000160	1	LID,CLEANER			
14		A235-000040	1	KNOB,CLEANER LID			
15		X503-004390	1	LABEL,MODEL	CS-320T		

3. Starter, Magneto

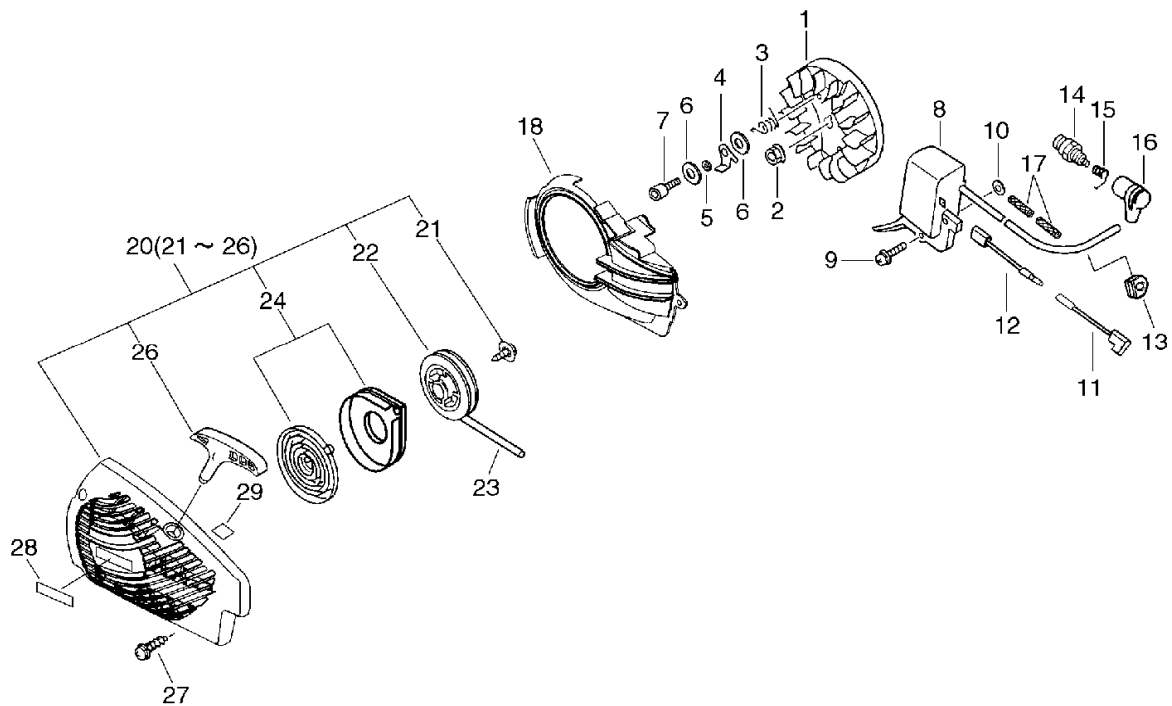
No.3



KEY	LV	PART NUMBER	Q'TY	DESCRIPTION	REMARKS	NOTE1	NOTE2
1		A409-000170	1	ROTOR,MAGNETO			
2		900515-00008	1	NUT, FLANGE 8	8		
3		177234-35430	2	SPRING, RETURN			
4		A514-000000	2	PAWL			
5		177247-04630	2	SPACER, RATCHET	5.2*8*2.1		
6		900603-00005	4	WASHER 5	5.5*12*0.8		
7		900105-05014	2	BOLT, H.S. 5*14	5*14	Sus. by V203-000090	
7		V203-000090	2	BOLT,5	M5*14		
8		A411-000150	1	COIL,IGNITION			
9		900238-05022	2	SCREW 5*22	5*22		
10		150117-16430	2	SPACER			
11		162010-55930	1	LEARD, GROUND	235L		
12		V485-000140	1	LEAD			
13		156110-04920	1	BUSHING			
14		A425-000000	1	SPARKPLUG	BPMR8Y		
15		A426-000010	1	TERMINAL,SPARKPLUG			
16		A427-000010	1	CAP,SPARK PLUG		Sus. by A427-000012	
16		A427-000011	1	CAP,SPARK PLUG		Sus. by A427-000012	
16		A427-000012	1	CAP,SPARK PLUG			
17		V475-002390	1	TUBE			
18		A172-000360	1	COVER,FAN		Sus. by A172-000361	
18		A172-000361	1	COVER,FAN			

3. Starter, Magneto

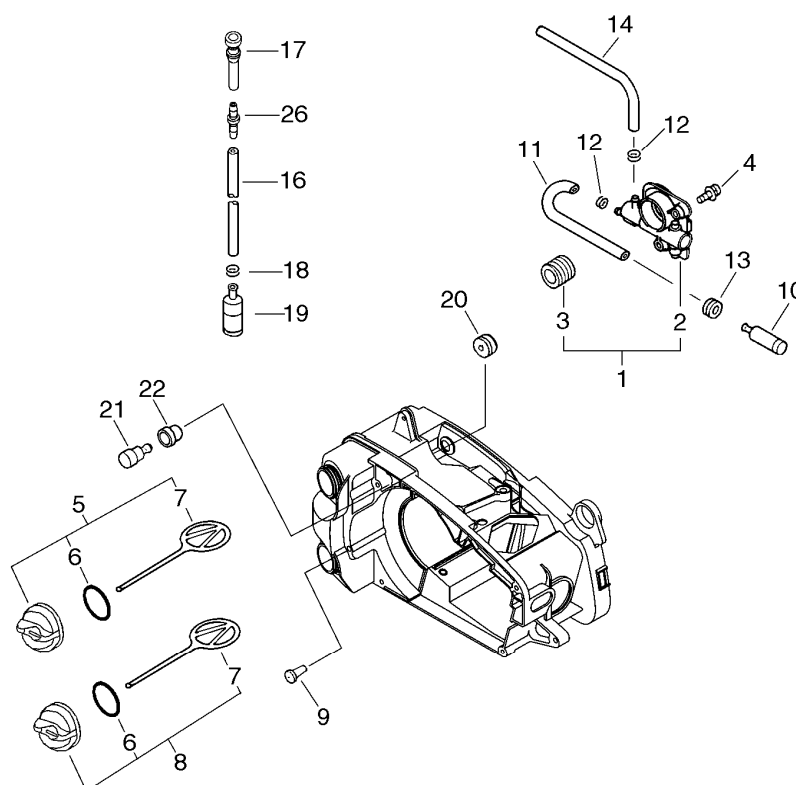
No.3



KEY	LV	PART NUMBER	Q'TY	DESCRIPTION	REMARKS	NOTE1	NOTE2
20		A051-000540	1	STARTER,RECOIL			
21	+	177236-44330	1	SCREW			
22	+	P022-005870	1	DRUM, STARTER			
23	+	P022-005900	1	ROPE, STARTER	3.0*920		
24	+	P022-001330	1	SPRING KIT, REWIND			
26	+	P022-005890	1	GRIP, STARTER			
27		900256-04016	4	SCREW 4*16	4*16		
28		X502-000020	1	LABEL,ECHO			
29		X505-000180	1	LABEL,CAUTION			

4. Auto-Oiler

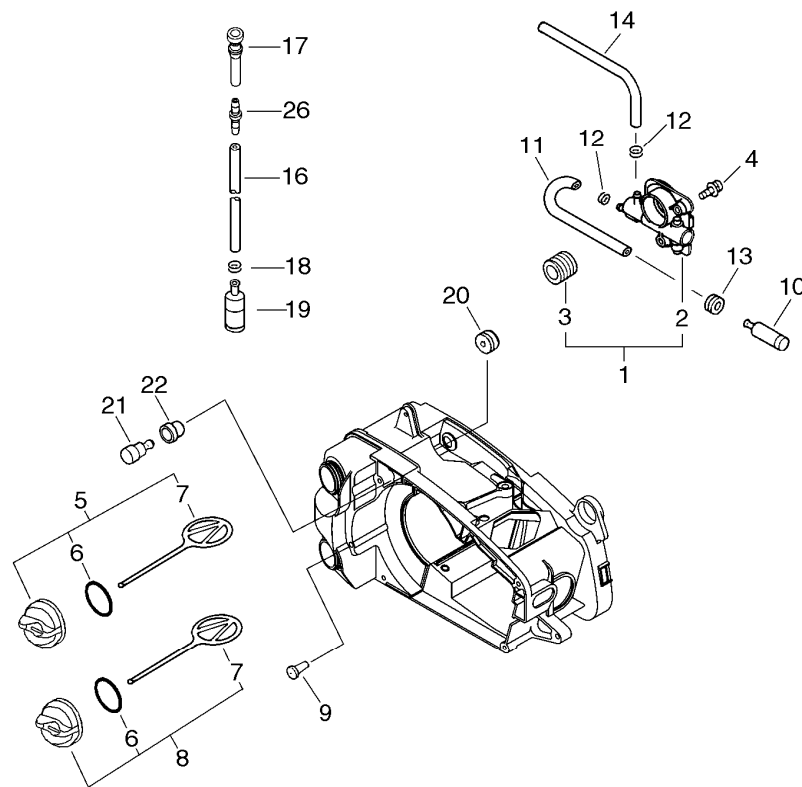
No.4



KEY	LV	PART NUMBER	Q'TY	DESCRIPTION	REMARKS	NOTE1	NOTE2
1		P021-001980	1	AUTO-OILER ASY			
2	+	C022-000000	1	OILER,ASM AUTO			
3	+	V652-000010	1	GEAR,WORM			
4		900238-04012	2	SCREW 4*12	4*12		
5		P021-001991	1	FUEL CAP ASY		Sus. by P021-005591	
5		P021-005590	1	FUEL CAP ASY		Sus. by P021-005591	
5		P021-005591	1	CAP ASY			
6	+	900720-00018	1	O-RING 18	P-18		
7	+	131051-19830	1	LINK	60L	Sus. by A365-000050	
7	+	A365-000050	1	CONNECTOR,CAP			
8		P021-002001	1	OIL CAP ASY		Sus. by P021-005581	
8		P021-005580	1	OIL CAP ASY		Sus. by P021-005581	
8		P021-005581	1	OIL CAP ASY			
6	+	900720-00018	1	O-RING 18	P-18		
7	+	131051-19830	1	LINK	60L	Sus. by A365-000050	
7	+	A365-000050	1	CONNECTOR,CAP			
9		436114-13930	1	VALVE, CHECK			
10		436205-02832	1	STRAINER, OIL			
11		V471-000740	1	PIPE			

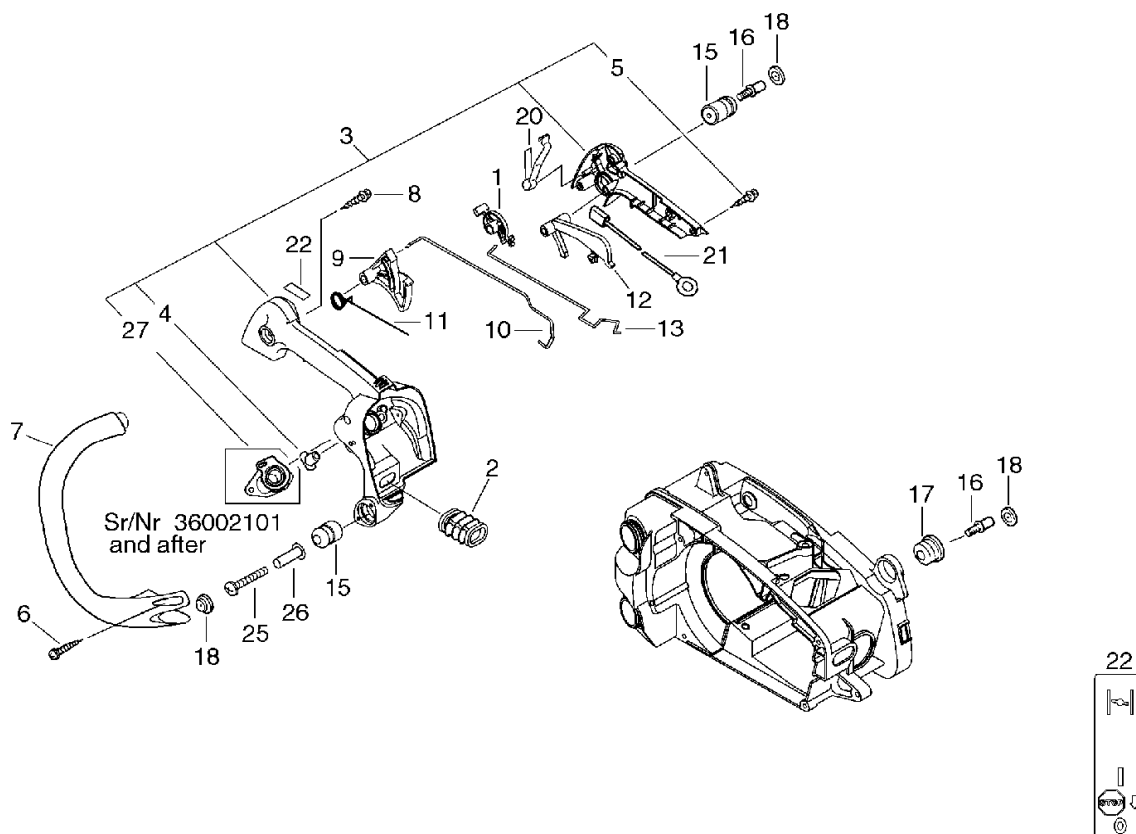
4. Auto-Oiler

No.4



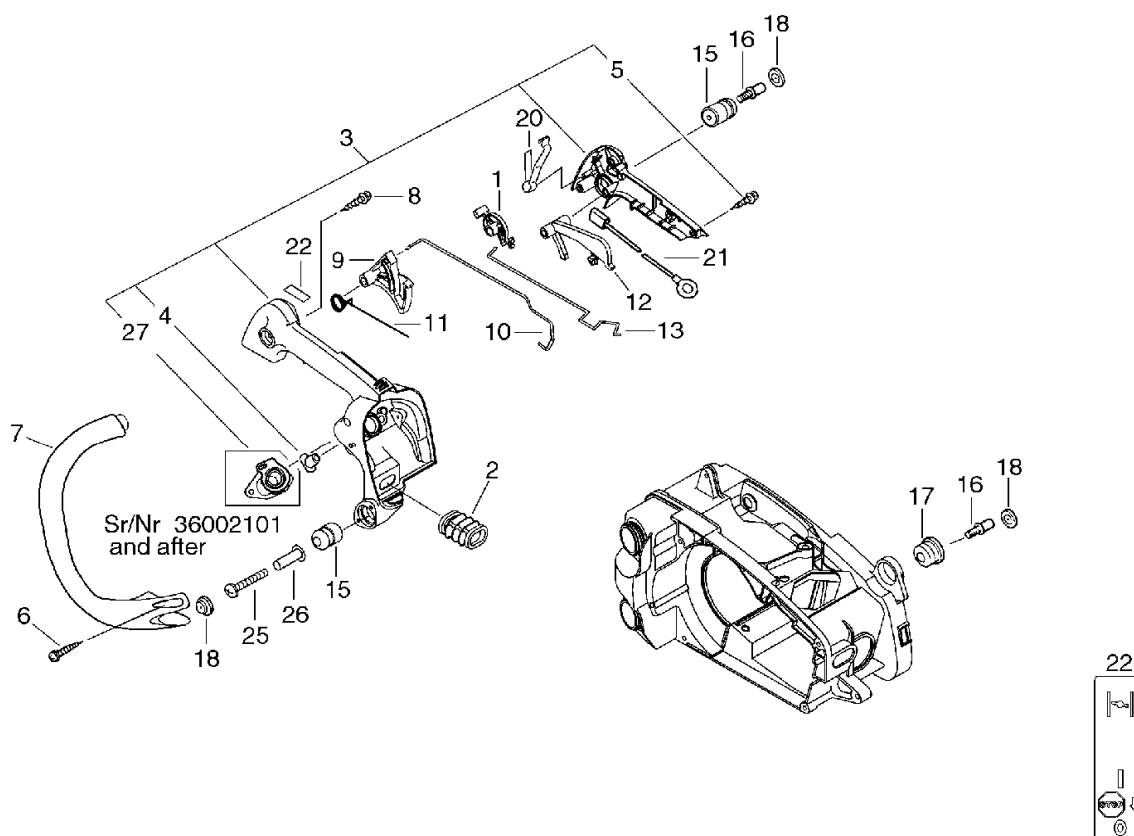
KEY	LV	PART NUMBER	Q'TY	DESCRIPTION	REMARKS	NOTE1	NOTE2
12		132013-26630	1	CLIP	6.5MM	Sus. by 132013-26630 Q'ty:2	
12		132013-26630	2	CLIP	6.5MM		
13		132115-01461	1	GROMMET			
14		V471-000760	1	PIPE			
16		V471-000750	1	PIPE			
17		V470-000320	1	PIPE			
18		132013-09820	1	CLIP	6MM		
19		131205-14930	1	STRAINER,FUEL			
20		V137-000020	1	GROMMET,FUEL			
21		131300-56430	1	VALVE, CHECK			
22		V137-000000	1	GROMMET,FUEL			
26		V186-000020	1	JOINT,PIPE			

5. Handle



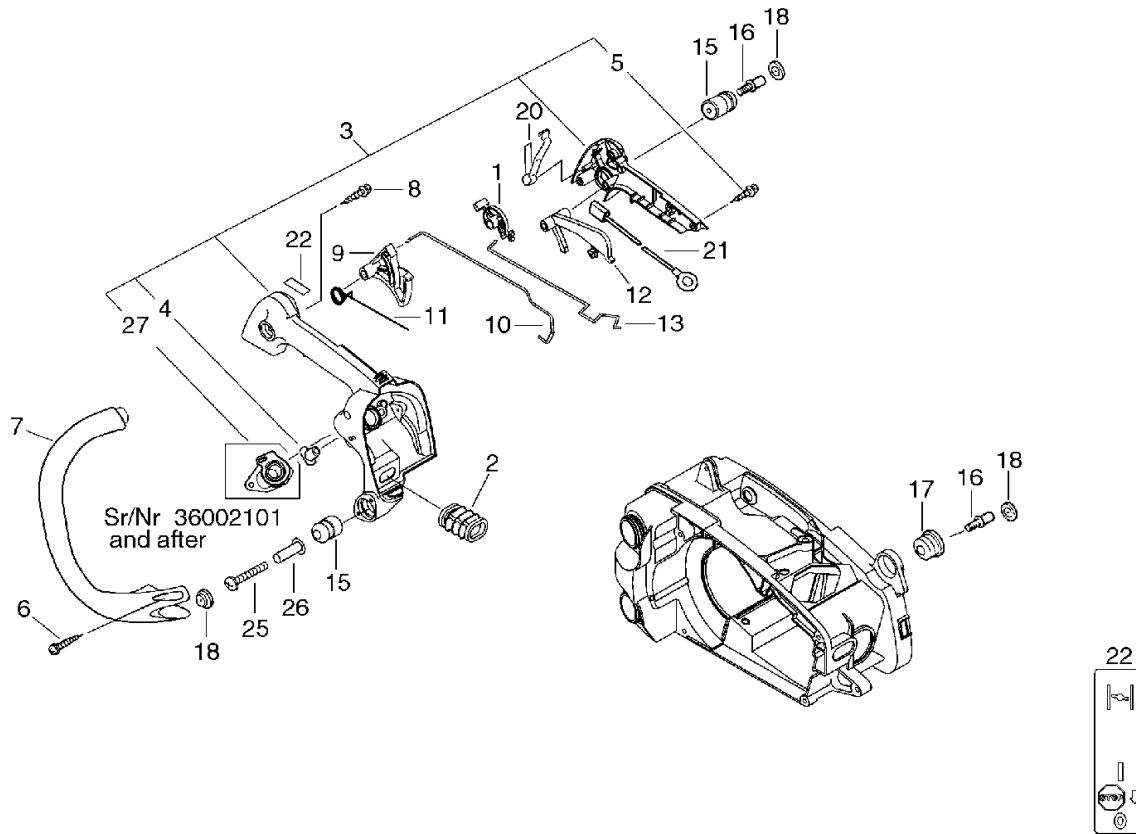
KEY	LV	PART NUMBER	Q'TY	DESCRIPTION	REMARKS	NOTE1	NOTE2
1		A253-000041	1	LEVER,CONTROL		Sus. by A253-000043	
1		A253-000042	1	LEVER,CONTROL		Sus. by A253-000043	
1		A253-000043	1	LEVER,CONTROL			
2		A239-000000	1	PIPE,INTAKE			
3		P021-004961	1	HANDLE SET, REAR		Sr/Nr 36002100 and before	
3		P021-004962	1	HANDLE SET, REAR		Sr/Nr 36002100 and before	
3		P021-004963	1	HANDLE SET, REAR		Sr/Nr 36002100 and before	
3		P021-004964	1	HANDLE SET, REAR		Sr/Nr 36002100 and before	
3		P021-004965	1	HANDLE SET, REAR		Sr/Nr 36002100 and before	
3		P021-004966	1	HANDLE SET, REAR		Sr/Nr 36002100 and before	
3		P021-004967	1	HANDLE SET, REAR		Sr/Nr 36002100 and before	
3		P021-004968	1	HANDLE SET, REAR		Sr/Nr 36002100 and before	
3		P021-004969	1	HANDLE SET, REAR		Sr/Nr 36002100 and before	
3		P021-011510	1	HANDLE, REAR		Sr/Nr 36002101 and after	

5. Handle



KEY	LV	PART NUMBER	Q'TY	DESCRIPTION	REMARKS	NOTE1	NOTE2
27	+	A202-000033	1	BELLOWS,INTAKE		Sr/Nr 36002101 and after	
4	+	130020-33330	2	NUT			
5	+	900256-04016	4	SCREW 4*16	4*16		
6		900256-04016	2	SCREW 4*16	4*16		
7		C400-000160	1	HANDLE,FRONT			
8		900253-05020	1	SCREW 5*20	5*20		
9		C450-000010	1	TRIGGER,THROTTLE			
10		C454-000070	1	ROD,THROTTLE			
11		V452-000010	1	SPRING,TORSION			
12		C460-000000	1	LOCKOUT,THROTTLE		Sus. by C460- 000002	
12		C460-000001	1	LOCKOUT,THROTTLE		Sus. by C460- 000002	
12		C460-000002	1	LOCKOUT,THROTTLE			
13		A240-000001	1	ROD,CHOKE		Sus. by A240- 000010	
13		A240-000010	1	ROD,CHOKE			
15		V400-000020	2	CUSHION,4		Sus. by V400- 000021	
15		V400-000021	2	CUSHION,4			
16		V202-000000	3	BOLT,4		Sr/Nr 35004160 and before	
16		V202-000000	2	BOLT,4		Sr/Nr 35004161 and after	
17		100910-18830	1	CUSHION			

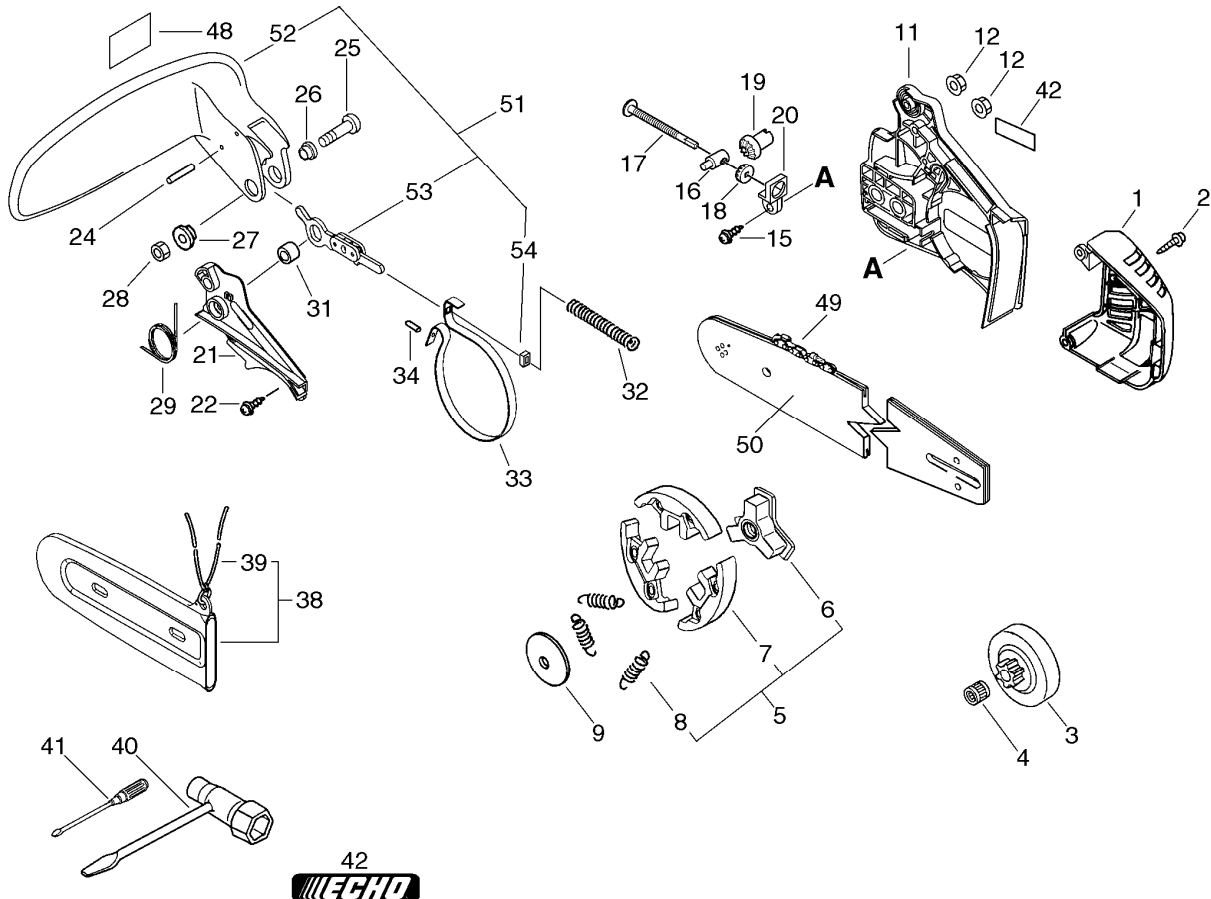
5. Handle



KEY	LV	PART NUMBER	Q'TY	DESCRIPTION	REMARKS	NOTE1	NOTE2
18		100918-15130	3	CAP			
20		V486-000010	1	TERMINAL,LEAD			
21		V485-000340	1	LEAD			
22		X524-000910	1	LABEL			
25		V352-000020	1	COLLAR,4		Sr/Nr 35004161 and after	
26		91481-04035	1	SCREW TAPPING		Sr/Nr 35004161 and after	

6. Clutch, Sprocket, Tools

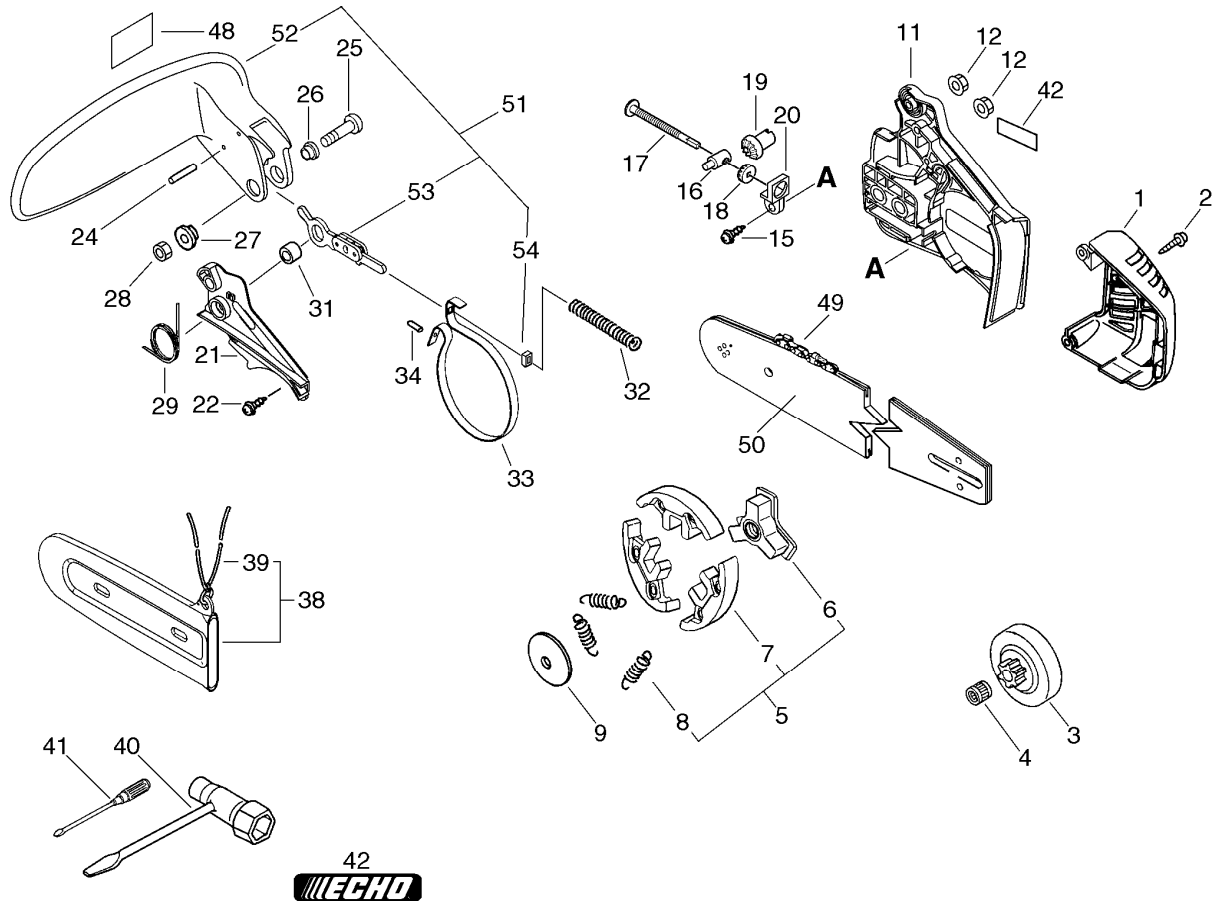
No.6



KEY	LV	PART NUMBER	Q'TY	DESCRIPTION	REMARKS	NOTE1	NOTE2
1		A320-000180	1	COVER,MUFFLER		Sus. by A320-000183	
1		A320-000181	1	COVER,MUFFLER		Sus. by A320-000183	
1		A320-000182	1	COVER,MUFFLER		Sus. by A320-000183	
1		A320-000183	1	COVER,MUFFLER			
2		900253-04016	2	SCREW 4*16	4*16		
3		175005-39132	1	DRUM, CLUTCH	3/8A		
4		175012-35630	1	BEARING, NEEDLE	10*13*10	Sus. by 175012-00831	
4		175012-00831	1	BEARING, NEEDLE			
5		A056-000070	1	CLUTCH			
6	+	A552-000020	1	HUB,CLUTCH			
7	+	P021-005810	1	CLUTCH SHOE SET			
8	+	V451-000470	3	SPRING,TENSION			
9		A551-000010	1	PLATE,CLUTCH			
10		175014-39130	1	WASHER, CLUTCH	10.2*25*1.2	Sus. by 175014-39131	
10		175014-39131	1	WASHER, CLUTCH	10.2*24.5*1.2	Sus. by V308-000030	
11		C300-000122	1	GUARD,SPROCKET		Sus. by C300-000125	
11		C300-000123	1	GUARD,SPROCKET		Sus. by C300-000125	

6. Clutch, Sprocket, Tools

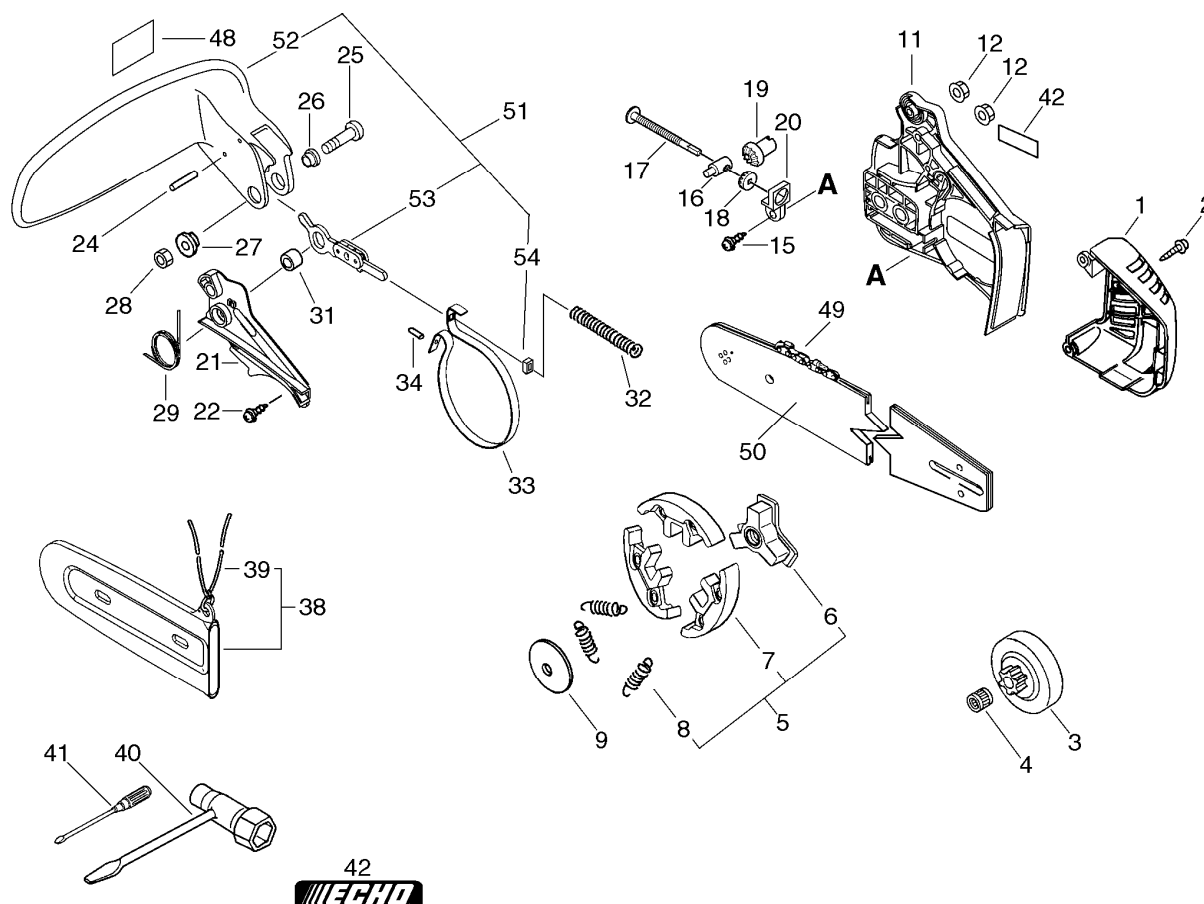
No.6



KEY	LV	PART NUMBER	Q'TY	DESCRIPTION	REMARKS	NOTE1	NOTE2
11		C300-000124	1	GUARD,SPROCKET		Sus. by C300-000125	
11		C300-000125	1	GUARD,SPROCKET		Sr/Nr 36001200 and before	
11		C300-000240	1	GUARD,SPROCKET		Sus. by C300-000241	
11		C300-000241	1	GUARD,SPROCKET		Sr/Nr 36001201 and after	
12		433019-12330	1	NUT, FLANGE 8	M-8	Sr/Nr 36001200 and before	
12		433019-03933	2	NUT, FLANGE 6	6	Sr/Nr 36001201 and after	
15		900253-04012	1	SCREW	4*12		
16		C309-000030	1	TENSIONER,CHAIN			
17		V203-000041	1	BOLT,5			
18		V651-000011	1	GEAR,BEVEL			
19		V651-000001	1	GEAR,BEVEL			
20		V355-000140	1	COLLAR,8			
21		C345-000081	1	COVER,BRAKE		Sus. by C345-000084	
21		C345-000082	1	COVER,BRAKE		Sus. by C345-000084	
21		C345-000083	1	COVER,BRAKE		Sus. by C345-000084	
21		C345-000084	1	COVER,BRAKE			
22		900253-04012	3	SCREW	4*12		

6. Clutch, Sprocket, Tools

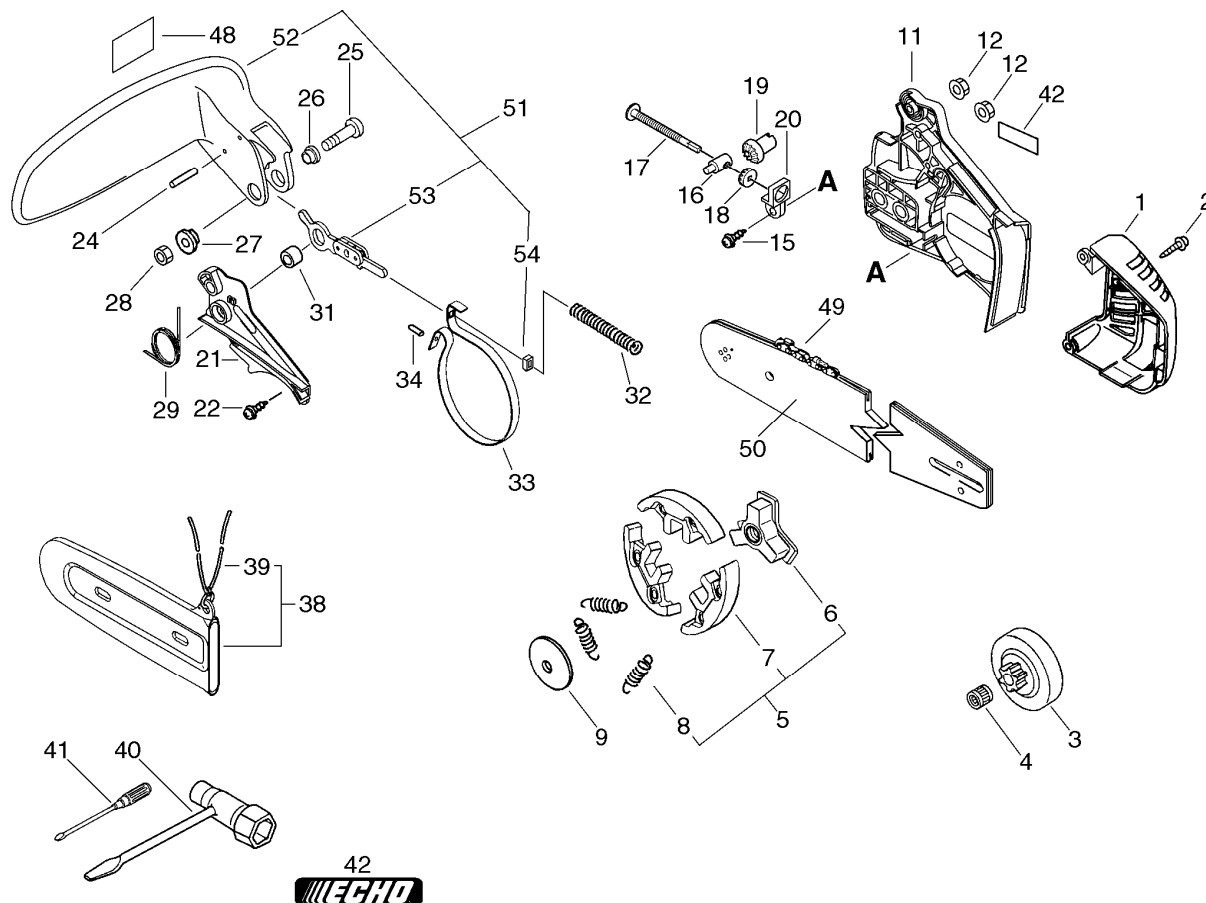
No.6



KEY	LV	PART NUMBER	Q'TY	DESCRIPTION	REMARKS	NOTE1	NOTE2
24		900330-30260	2	ROLLER 3*26	3*26		
25		91318-05032	1	SCREW	5*32		
26		433167-39130	1	SPACER			
27		V353-000060	1	COLLAR,5			
28		900560-00005	1	NUT, LOCK 5	5	Sus. by 900562-50005	
28		900562-50005	1	LOCKNUT 5	5		
29		V452-000110	1	SPRING,TORSION			
31		433116-35430	1	SPACER 8	8*12*9		
32		V450-000070	1	SPRING,COMPRESSION			
33		C328-000010	1	BAND,BRAKE		Sus. by C328-000030	
33		C328-000030	1	BAND,BRAKE			
34		93050-30098	1	ROLLER	F3*9.8		
38		P021-004970	1	SCABBARD,CHAIN	カ	Sus. by P021-006950	
38		P021-006950	1	SCABBARD,CHAIN	ECHO 叩き	OPTION	
39	+	898568-30330	1	ROPE		Sus. by 898568-14530	
39	+	898568-14530	1	ROPE	5*900	OPTION	
40		895410-02830	1	WRENCH, W/S. DRIVER		Sr/Nr 36001200 and before	
40		895410-03930	1	WRENCH, W/S. DRIVER		Sr/Nr 36001201 and after	
41		895812-03930	1	DRIVER, SCREW 50			
42		X502-000020	1	LABEL,ECHO			

6. Clutch, Sprocket, Tools

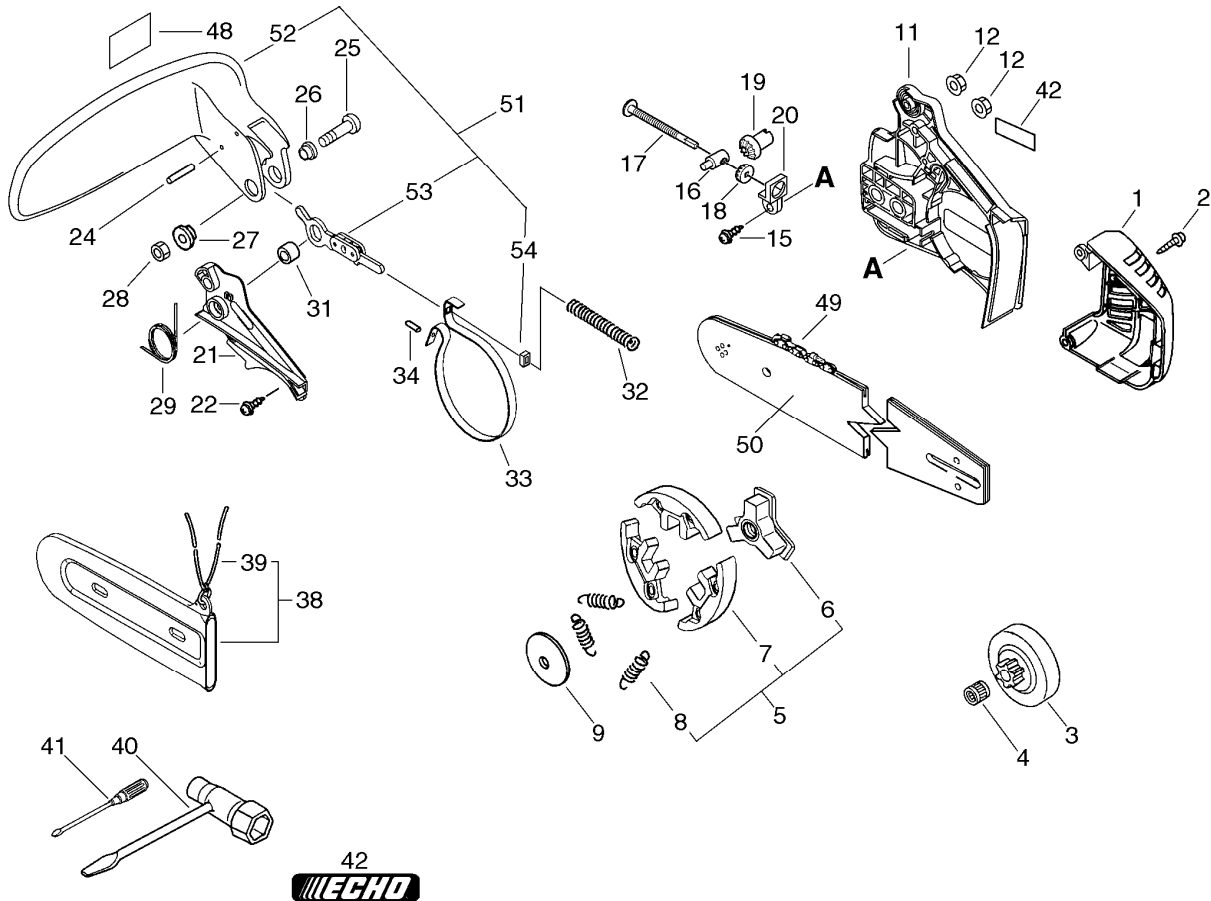
No.6



KEY	LV	PART NUMBER	Q'TY	DESCRIPTION	REMARKS	NOTE1	NOTE2
48		X505-000370	1	LABEL,CAUTION			
49		431010-39230	1	CHAIN, SAW 91VG-47E	91VG-47E 30C	OPTION	
49		431019-39230	1	CHAIN, SAW 91VG-53E	91VG-53E 35C	OPTION	
49		431011-39230	1	CHAIN, SAW 91VG-58E	91VG-58E	OPTION	
50		430210-36930	1	BAR,GUIDE 30RC50-3/8	30RC50-3/8	Sus. by X122-000071	
50		X122-000070	1	BAR,GUIDE30RC50M-3/8	30RC50M-3/8	Sus. by X122-000071	
50		X122-000071	1	BAR,GUIDE30RC50M-3/8	30RC50M-3/8 ECHO	OPTION	
50		430219-38730	1	BAR,GUIDE 35RC50-3/8	35RC50-3/8	OPTION	
50		430211-13431	1	BAR,GUIDE 40RC50-3/8	40RC50-3/8	OPTION	
52		C320-000030	1	LEVER,BRAKE		Sus. by P021-007981	
53		C334-000040	1	CONNECTOR,BRAKE		Sr/Nr 35010292 and before	
54		V376-000450	1	SPACER		Sr/Nr 35010292 and before	
51		P021-007980	1	BRAKE LEVER KIT		Sus. by P021-007981	
51		P021-007981	1	BRAKE LEVER KIT			
52	+	C320-000031	1	LEVER,BRAKE		Sus. by C320-000032	
52	+	C320-000032	1	LEVER,BRAKE		Sr/Nr 36001001 and after	

6. Clutch, Sprocket, Tools

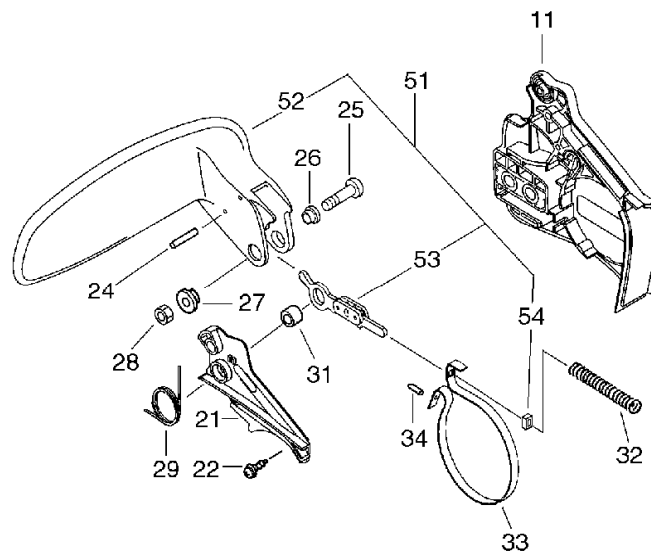
No.6



KEY	LV	PART NUMBER	Q'TY	DESCRIPTION	REMARKS	NOTE1	NOTE2
53	+	C334-000060	1	CONNECTOR,BRAKE		Sus. by C334-000070	
53	+	C334-000070	1	CONNECTOR,BRAKE		Sr/Nr 36001001 and after	
54	+	V376-000540	1	SPACER		Sus. by V376-000450	
54	+	V376-000450	1	SPACER		Sr/Nr 36001001 and after	

7. Chain Brake Asy

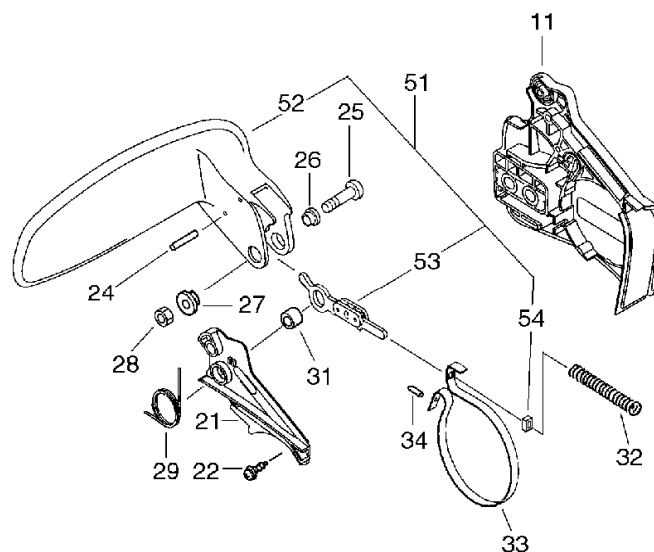
No.7



KEY	LV	PART NUMBER	Q'TY	DESCRIPTION	REMARKS	NOTE1	NOTE2
		C032-000122	1	BRAKE,ASM CHAIN		Sus. by C032-000127	
		C032-000123	1	BRAKE,ASM CHAIN		Sus. by C032-000127	
		C032-000124	1	BRAKE,ASM CHAIN		Sus. by C032-000127	
		C032-000125	1	BRAKE,ASM CHAIN		Sus. by C032-000127	
		C032-000126	1	BRAKE,ASM CHAIN		Sus. by C032-000127	
		C032-000127	1	BRAKE,ASM CHAIN		Sr/Nr 36001200 and before	
		C032-000200	1	BRAKE,ASM CHAIN		Sus. by C032-000203	
		C032-000201	1	BRAKE,ASM CHAIN		Sus. by C032-000203	
		C032-000202	1	BRAKE,ASM CHAIN		Sus. by C032-000203	
		C032-000203	1	BRAKE,ASM CHAIN		Sus. by C032-000204	
		C032-000204	1	BRAKE,ASM CHAIN			
11	+	C300-000122	1	GUARD,SPROCKET		Sus. by C300-000125	
11	+	C300-000123	1	GUARD,SPROCKET		Sus. by C300-000125	

7. Chain Brake Asy

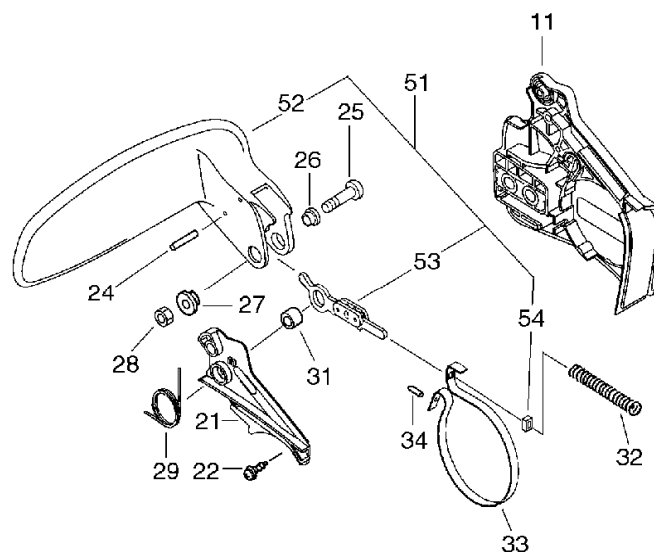
No.7



KEY	LV	PART NUMBER	Q'TY	DESCRIPTION	REMARKS	NOTE1	NOTE2
11	+	C300-000124	1	GUARD,SPROCKET		Sus. by C300-000125	
11	+	C300-000125	1	GUARD,SPROCKET		Sr/Nr 36001200 and before	
11	+	C300-000240	1	GUARD,SPROCKET		Sus. by C300-000241	
11	+	C300-000241	1	GUARD,SPROCKET		Sus. by C300-000242	
11	+	C300-000242	1	GUARD,SPROCKET			
21	+	C345-000081	1	COVER,BRAKE		Sus. by C345-000084	
21	+	C345-000082	1	COVER,BRAKE		Sus. by C345-000084	
21	+	C345-000083	1	COVER,BRAKE		Sus. by C345-000084	
21	+	C345-000084	1	COVER,BRAKE			
22	+	900253-04012	3	SCREW	4*12		
24	+	900330-30260	2	ROLLER 3*26	3*26		
25	+	91318-05032	1	SCREW	5*32		
26	+	433167-39130	1	SPACER			
27	+	V353-000060	1	COLLAR,5			
28	+	900560-00005	1	NUT, LOCK 5	5	Sus. by 900562-50005	
28	+	900562-50005	1	LOCKNUT 5	5		
29	+	V452-000110	1	SPRING,TORSION			
31	+	433116-35430	1	SPACER 8	8*12*9		

7. Chain Brake Asy

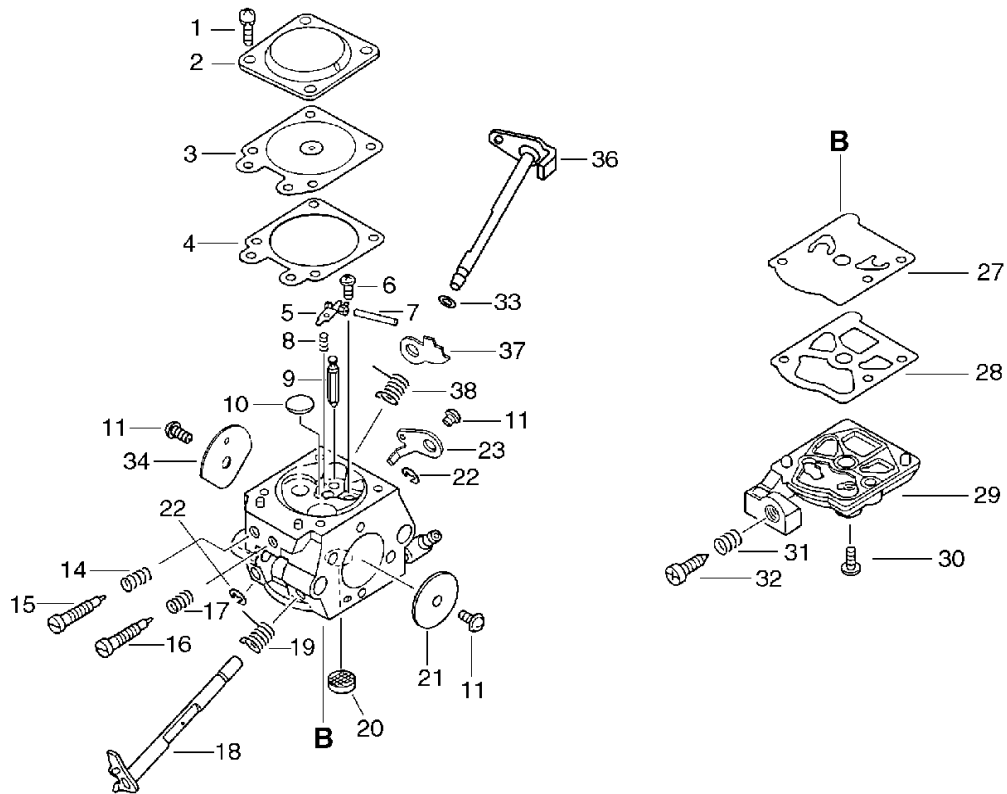
No.7



KEY	LV	PART NUMBER	Q'TY	DESCRIPTION	REMARKS	NOTE1	NOTE2
32	+	V450-000070	1	SPRING, COMPRESSION			
33	+	C328-000010	1	BAND, BRAKE		Sus. by C328-000030	
33	+	C328-000030	1	BAND, BRAKE			
34	+	93050-30098	1	ROLLER	F3*9.8		
51	+	P021-007980	1	BRAKE LEVER KIT		Sus. by P021-007981	
51	+	P021-007981	1	BRAKE LEVER KIT			
52	+	C320-000030	1	LEVER, BRAKE		Sus. by P021-007981	
52	++	C320-000031	1	LEVER, BRAKE		Sus. by C320-000032	
52	++	C320-000032	1	LEVER, BRAKE		Sr/Nr 36001001 and after	
53	+	C334-000040	1	CONNECTOR, BRAKE		Sr/Nr 35010292 and before	
53	++	C334-000060	1	CONNECTOR, BRAKE		Sus. by C334-000070	
53	++	C334-000070	1	CONNECTOR, BRAKE		Sr/Nr 36001001 and after	
54	+	V376-000450	1	SPACER		Sr/Nr 35010292 and before	
54	++	V376-000540	1	SPACER		Sr/Nr 36001001 and after	

8. Carburetor(Sr/Nr 35010292 and before)

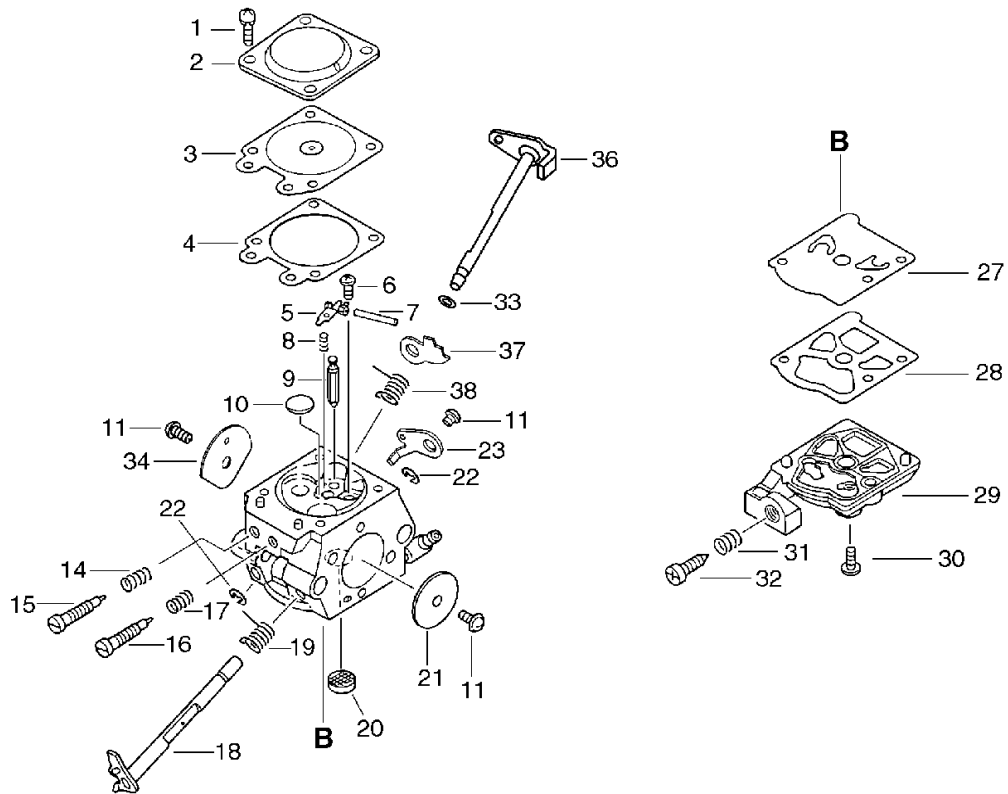
No.8



KEY	LV	PART NUMBER	Q'TY	DESCRIPTION	REMARKS	NOTE1	NOTE2
		A021-000600	1	CARBURETOR,DIAPHRAGM	WT-647	Sus. by A021-000601	
		A021-000601	1	CARBURETOR,DIAPHRAGM	WT-647		
1	+	123130-02960	4	SCREW			
2	+	123142-03930	1	COVER, M. DIAPHRAGM			
3	+	123141-03930	1	DIAPHRAGM, METERING			
4	+	123140-03930	1	GASKET, M. DIAPHRAGM			
5	+	123123-03930	1	LEVER, METERING			
6	+	123139-03930	1	SCREW, M. LEVER PIN			
7	+	123138-03930	1	PIN, METERING LEVER			
8	+	123122-03660	1	SPRING, METER. LEVER			
9	+	123137-19830	1	VALVE, INLET NEEDLE			
10	+	123146-10631	1	PLUG, WELCH			
11	+	123114-38830	3	SCREW			
14	+	123119-22130	1	SPRING, NEEDLE			
15	+	P003-001010	1	NEEDLE, HIGH SPEED			
16	+	P003-000930	1	NEEDLE, IDLE			
17	+	123121-22130	1	SPRING, NEEDLE			
18	+	P003-000120	1	SHAFT, THROTTLE			
19	+	123113-37530	1	SPRING, THROTTLE RTN			
20	+	123126-10631	1	SCREEN, INLET			
21	+	123116-03930	1	VALVE, THROTTLE			
22	+	123127-15030	2	RING			
23	+	P003-000380	1	THROTTLE, LEVER			
27	+	123112-15030	1	DIAPHRAGM, FUEL PUMP			
28	+	123125-15030	1	GASKET, FUEL PUMP			

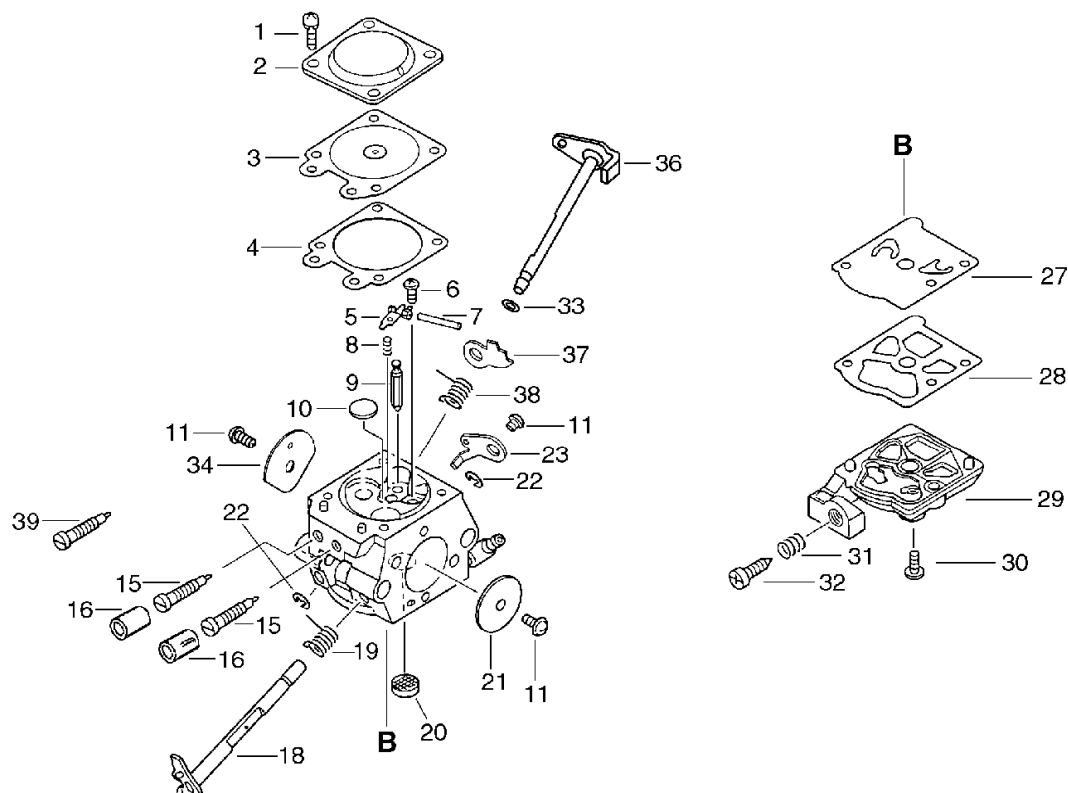
8. Carburetor(Sr/Nr 35010292 and before)

No.8



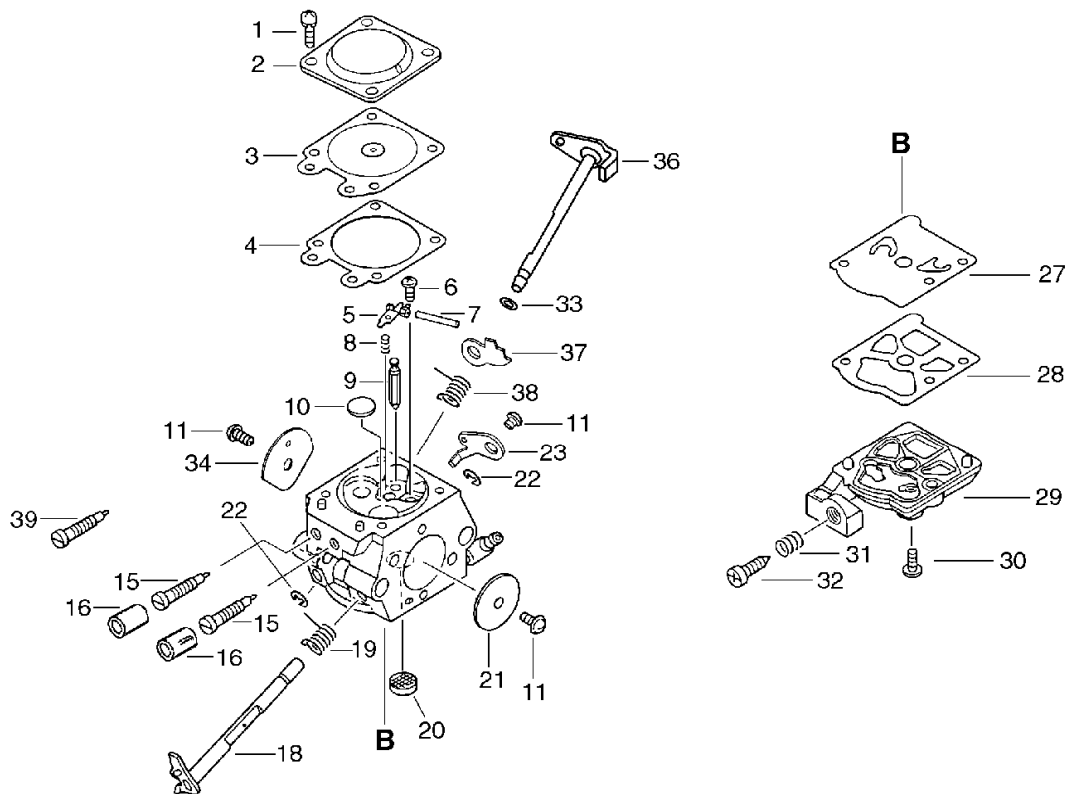
KEY	LV	PART NUMBER	Q'TY	DESCRIPTION	REMARKS	NOTE1	NOTE2
29	+	123124-24430	1	COVER, FUEL PUMP			
30	+	123110-03930	1	SCREW, PUMP COVER			
31	+	123133-04260	1	SPRING, IDLE ADJUST			
32	+	123134-04260	1	SCREW, IDLE ADJUST			
33	+	123149-26030	1	WASHER			
34	+	123132-35430	1	VALVE, CHOKE			
36	+	P003-001000	1	SHAFT, CHOKE		Sus. by P003-001140	
36	+	P003-001140	1	SHAFT, CHOKE			
37	+	P003-000160	1	LEVER-FAST IDLE			
38	+	P003-000140	1	SPRING			

9. Carburetor(Sr/Nr 36001001 and after)



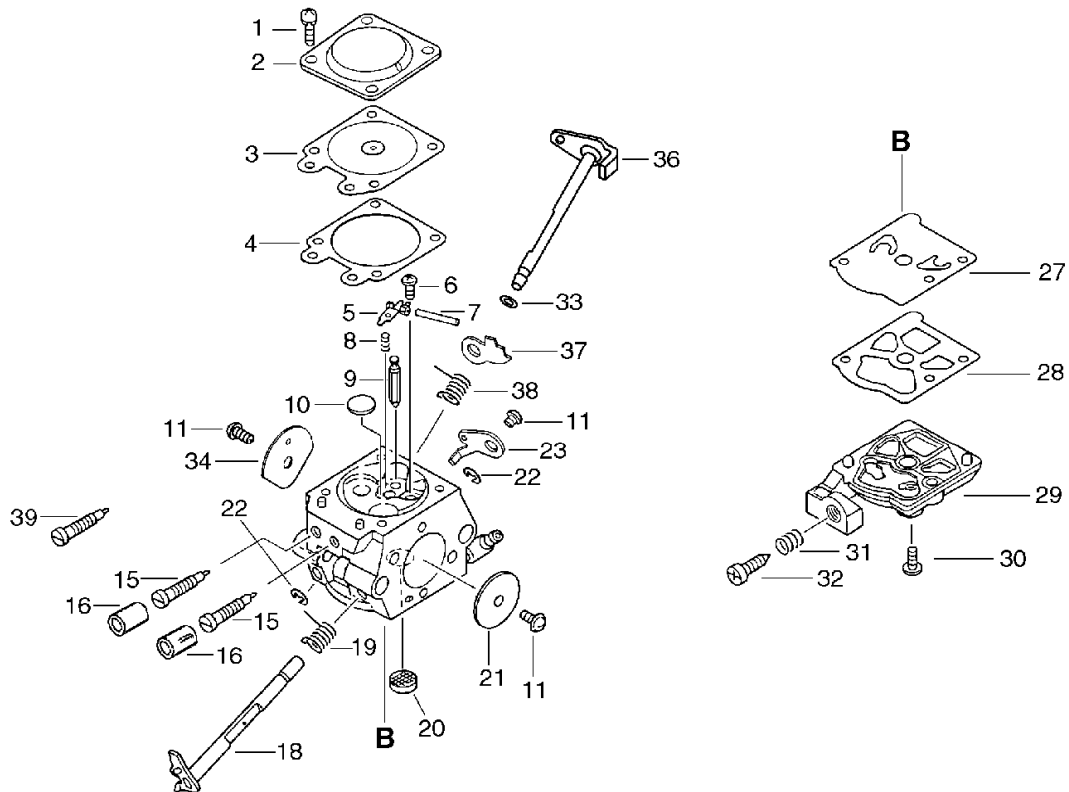
KEY	LV	PART NUMBER	Q'TY	DESCRIPTION	REMARKS	NOTE1	NOTE2
		A021-000860	1	CARBURETOR,DIAPHRAGM	WT-698	Sus. by A021-000862	
		A021-000861	1	CARBURETOR,DIAPHRAGM	WT-698A	Sus. by A021-000862	
		A021-000862	1	CARBURETOR,DIAPHRAGM	WT-698A		
1	+	123130-02960	4	SCREW			
2	+	123142-03930	1	COVER, M. DIAPHRAGM			
3	+	123141-03930	1	DIAPHRAGM, METERING			
4	+	123140-03930	1	GASKET, M. DIAPHRAGM			
5	+	123123-03930	1	LEVER, METERING			
6	+	123139-03930	1	SCREW, M. LEVER PIN			
7	+	123138-03930	1	PIN, METERING LEVER			
8	+	123122-03660	1	SPRING, METER. LEVER			
8	+	123122-39830	1	SPRING, METER. LEVER		Can be used on the A021-000862 only	
9	+	123137-19830	1	VALVE, INLET NEEDLE			
10	+	123146-10631	1	PLUG, WELCH			
11	+	123114-38830	3	SCREW			
15	+	123118-02261	2	NEEDLE		Sus. by 132013-26630 Q'ty:1	
15	+	123118-02261	1	NEEDLE		Can be used on the A021-000861 only	
16	+	P003-000010	2	LIMITER CAP			

9. Carburetor(Sr/Nr 36001001 and after)



KEY	LV	PART NUMBER	Q'TY	DESCRIPTION	REMARKS	NOTE1	NOTE2
18	+	P003-000480	1	SHAFT,THROTTLE			
19	+	123113-37530	1	SPRING, THROTTLE RTN			
20	+	123126-10631	1	SCREEN, INLET			
21	+	123116-10530	1	VALVE, THROTTLE			
22	+	123127-15030	2	RING			
23	+	P003-000380	1	THROTTLE, LEVER			
27	+	123112-15030	1	DIAPHRAGM, FUEL PUMP			
28	+	123125-15030	1	GASKET, FUEL PUMP			
29	+	123124-24430	1	COVER, FUEL PUMP			
30	+	123110-03930	1	SCREW, PUMP COVER			
31	+	123133-04260	1	SPRING, IDLE ADJUST			
32	+	123134-04260	1	SCREW, IDLE ADJUST			
33	+	123149-26030	1	WASHER			
34	+	123132-35430	1	VALVE, CHOKE			
36	+	P003-001140	1	SHAFT, CHOKE			
37	+	P003-000160	1	LEVER-FAST IDLE			
37	+	P003-001480	1	LEVER-FAST IDLE		Can be used on the A021-000862 only	
37	+	P003-001510	1	LEVER-FAST IDLE		Can be used on the A021-000862 only	
38	+	P003-000140	1	SPRING			
38	+	P003-001470	1	SPRING		Can be used on the A021-000862 only	

9. Carburetor(Sr/Nr 36001001 and after)



KEY	LV	PART NUMBER	Q'TY	DESCRIPTION	REMARKS	NOTE1	NOTE2
-----	----	-------------	------	-------------	---------	-------	-------

39	+	123120-52131	1	NEEDLE, HIGH SPEED			
----	---	--------------	---	--------------------	--	--	--

Can be used on the
A021-000862 only

Index

Patrs Number	Key No.	Patrs Number	Key No.	Patrs Number	Key No.
100011-46430	1 - 4	123140-03930	8 - 4	895410-03930	6 - 40
100013-15330	1 - 5	123140-03930	9 - 4	895812-03930	6 - 41
100014-60930	1 - 7	123141-03930	8 - 3	898568-14530	6 - 39
100015-04630	1 - 6	123141-03930	9 - 3	898568-30330	6 - 39
100142-12330	1 - 30	123142-03930	8 - 2	900105-05014	3 - 7
100910-18830	5 - 17	123142-03930	9 - 2	900106-05020	1 - 19
100918-15130	5 - 18	123146-10631	8 - 10	900106-05020	1 - 19
123110-03930	8 - 30	123146-10631	9 - 10	900106-05030	1 - 24
123110-03930	9 - 30	123149-26030	8 - 33	900162-05025	1 - 2
123112-15030	8 - 27	123149-26030	9 - 33	900238-04012	4 - 4
123112-15030	9 - 27	130020-33330	5 - 4	900238-05012	1 - 34
123113-37530	8 - 19	131051-19830	4 - 7	900238-05022	3 - 9
123113-37530	9 - 19	131051-19830	4 - 7	900238-05050	2 - 10
123114-38830	8 - 11	131205-14930	4 - 19	900250-04008	2 - 7
123114-38830	9 - 11	131300-56430	4 - 21	900253-04010	1 - 18
123116-03930	8 - 21	132013-09820	4 - 18	900253-04012	1 - 21
123116-10530	9 - 21	132013-26630	4 - 12	900253-04012	6 - 15
123118-02261	9 - 15	132013-26630	4 - 12	900253-04012	6 - 22
123118-02261	9 - 15	132115-01461	4 - 13	900253-04012	7 - 22
123119-22130	8 - 14	145510-13931	2 - 4	900253-04016	6 - 2
123120-52131	9 - 39	150117-16430	3 - 10	900253-05020	1 - 26
123121-22130	8 - 17	156110-04920	3 - 13	900253-05020	1 - 28
123122-03660	8 - 8	162010-55930	3 - 11	900253-05020	5 - 8
123122-03660	9 - 8	163911-30130	1 - 22	900256-04016	3 - 27
123122-39830	9 - 8	175005-39132	6 - 3	900256-04016	5 - 5
123123-03930	8 - 5	175012-00831	6 - 4	900256-04016	5 - 6
123123-03930	9 - 5	175012-35630	6 - 4	900330-30260	6 - 24
123124-24430	8 - 29	175014-39130	6 - 10	900330-30260	7 - 24
123124-24430	9 - 29	175014-39131	6 - 10	900515-00008	3 - 2
123125-15030	8 - 28	177234-35430	3 - 3	900560-00005	6 - 28
123125-15030	9 - 28	177236-44330	3 - 21	900560-00005	7 - 28
123126-10631	8 - 20	177247-04630	3 - 5	900562-50005	6 - 28
123126-10631	9 - 20	430210-36930	6 - 50	900562-50005	7 - 28
123127-15030	8 - 22	430211-13431	6 - 50	900603-00005	3 - 6
123127-15030	9 - 22	430219-38730	6 - 50	900720-00018	4 - 6
123130-02960	8 - 1	431010-39230	6 - 49	900720-00018	4 - 6
123130-02960	9 - 1	431011-39230	6 - 49	900724-00004	1 - 29
123132-35430	8 - 34	431019-39230	6 - 49	91107-05040	2 - 6
123132-35430	9 - 34	433011-03931	1 - 17	91318-05032	6 - 25
123133-04260	8 - 31	433019-03933	6 - 12	91318-05032	7 - 25
123133-04260	9 - 31	433019-12330	6 - 12	91420-05012	1 - 34
123134-04260	8 - 32	433026-35430	1 - 25	91481-04035	5 - 26
123134-04260	9 - 32	433116-35430	6 - 31	93050-30098	6 - 34
123137-19830	8 - 9	433116-35430	7 - 31	93050-30098	7 - 34
123137-19830	9 - 9	433167-39130	6 - 26	94035-36201	1 - 10
123138-03930	8 - 7	433167-39130	7 - 26	A021-000600	2 - 8
123138-03930	9 - 7	436114-13930	4 - 9	A021-000600	8 -
123139-03930	8 - 6	436205-02832	4 - 10	A021-000601	2 - 8
123139-03930	9 - 6	895410-02830	6 - 40	A021-000601	8 -

Index

Patrs Number	Key No.	Patrs Number	Key No.	Patrs Number	Key No.
A021-000860	2 - 8	C032-000122	7 -	C345-000083	6 - 21
A021-000860	9 -	C032-000123	7 -	C345-000083	7 - 21
A021-000861	2 - 8	C032-000124	7 -	C345-000084	6 - 21
A021-000861	9 -	C032-000125	7 -	C345-000084	7 - 21
A021-000862	2 - 8	C032-000126	7 -	C400-000160	5 - 7
A021-000862	9 -	C032-000127	7 -	C450-000010	5 - 9
A051-000540	3 - 20	C032-000200	7 -	C454-000070	5 - 10
A056-000070	6 - 5	C032-000201	7 -	C460-000000	5 - 12
A127-000050	1 - 20	C032-000202	7 -	C460-000001	5 - 12
A172-000360	3 - 18	C032-000203	7 -	C460-000002	5 - 12
A172-000361	3 - 18	C032-000204	7 -	P003-000010	9 - 16
A202-000030	1 - 31	C300-000122	6 - 11	P003-000120	8 - 18
A202-000031	1 - 31	C300-000122	7 - 11	P003-000140	8 - 38
A202-000032	1 - 31	C300-000123	6 - 11	P003-000140	9 - 38
A202-000033	5 - 27	C300-000123	7 - 11	P003-000160	8 - 37
A204-000041	2 - 9	C300-000124	6 - 11	P003-000160	9 - 37
A204-000050	2 - 9	C300-000124	7 - 11	P003-000380	8 - 23
A204-000051	2 - 9	C300-000125	6 - 11	P003-000380	9 - 23
A204-000052	2 - 9	C300-000125	7 - 11	P003-000480	9 - 18
A226-000180	2 - 12	C300-000240	6 - 11	P003-000930	8 - 16
A232-000160	2 - 13	C300-000240	7 - 11	P003-001000	8 - 36
A235-000040	2 - 14	C300-000241	6 - 11	P003-001010	8 - 15
A239-000000	5 - 2	C300-000241	7 - 11	P003-001140	8 - 36
A240-000001	5 - 13	C300-000242	7 - 11	P003-001140	9 - 36
A240-000010	5 - 13	C304-000000	1 - 27	P003-001470	9 - 38
A253-000041	5 - 1	C305-000060	1 - 15	P003-001480	9 - 37
A253-000042	5 - 1	C305-000061	1 - 15	P003-001510	9 - 37
A253-000043	5 - 1	C305-000070	1 - 15	P021-001980	4 - 1
A300-000370	2 - 2	C309-000030	6 - 16	P021-001991	4 - 5
A301-000000	2 - 5	C320-000030	6 - 52	P021-002001	4 - 8
A303-000040	2 - 3	C320-000030	7 - 52	P021-004950	2 - 1
A303-000041	2 - 3	C320-000031	6 - 52	P021-004951	2 - 1
A320-000180	6 - 1	C320-000031	7 - 52	P021-004952	2 - 1
A320-000181	6 - 1	C320-000032	6 - 52	P021-004961	5 - 3
A320-000182	6 - 1	C320-000032	7 - 52	P021-004962	5 - 3
A320-000183	6 - 1	C328-000010	6 - 33	P021-004963	5 - 3
A365-000050	4 - 7	C328-000010	7 - 33	P021-004964	5 - 3
A365-000050	4 - 7	C328-000030	6 - 33	P021-004965	5 - 3
A409-000170	3 - 1	C328-000030	7 - 33	P021-004966	5 - 3
A411-000150	3 - 8	C334-000040	6 - 53	P021-004967	5 - 3
A425-000000	3 - 14	C334-000040	7 - 53	P021-004968	5 - 3
A426-000010	3 - 15	C334-000060	6 - 53	P021-004969	5 - 3
A427-000010	3 - 16	C334-000060	7 - 53	P021-004970	6 - 38
A427-000011	3 - 16	C334-000070	6 - 53	P021-004981	1 - 23
A427-000012	3 - 16	C334-000070	7 - 53	P021-004982	1 - 23
A514-000000	3 - 4	C345-000081	6 - 21	P021-004983	1 - 23
A551-000010	6 - 9	C345-000081	7 - 21	P021-004984	1 - 23
A552-000020	6 - 6	C345-000082	6 - 21	P021-004985	1 - 23
C022-000000	4 - 2	C345-000082	7 - 21	P021-004986	1 - 23

Index

Patrs Number	Key No.	Patrs Number	Key No.	Patrs Number	Key No.
P021-004987	1 - 23	V400-000021	5 - 15		
P021-004988	1 - 23	V450-000070	6 - 32		
P021-005490	1 - 1	V450-000070	7 - 32		
P021-005491	1 - 1	V451-000470	6 - 8		
P021-005500	1 - 3	V452-000010	5 - 11		
P021-005510	1 - 9	V452-000110	6 - 29		
P021-005511	1 - 9	V452-000110	7 - 29		
P021-005580	4 - 8	V470-000320	4 - 17		
P021-005581	4 - 8	V470-000480	1 - 35		
P021-005590	4 - 5	V470-000481	1 - 35		
P021-005591	4 - 5	V471-000740	4 - 11		
P021-005810	6 - 7	V471-000750	4 - 16		
P021-006950	6 - 38	V471-000760	4 - 14		
P021-007980	6 - 51	V475-002390	3 - 17		
P021-007980	7 - 51	V485-000140	3 - 12		
P021-007981	6 - 51	V485-000340	5 - 21		
P021-007981	7 - 51	V486-000010	5 - 20		
P021-008650	2 - 3	V505-000010	1 - 11		
P021-008670	1 - 23	V553-000040	1 - 8		
P021-008671	1 - 23	V651-000001	6 - 19		
P021-008672	1 - 23	V651-000011	6 - 18		
P021-008673	1 - 23	V652-000010	1 - 12		
P021-008674	1 - 23	V652-000010	4 - 3		
P021-011510	5 - 3	X122-000070	6 - 50		
P022-001330	3 - 24	X122-000071	6 - 50		
P022-005870	3 - 22	X502-000020	3 - 28		
P022-005890	3 - 26	X502-000020	6 - 42		
P022-005900	3 - 23	X503-004390	2 - 15		
V137-000000	4 - 22	X505-000180	3 - 29		
V137-000020	4 - 20	X505-000370	6 - 48		
V186-000020	4 - 26	X524-000910	5 - 22		
V202-000000	5 - 16				
V202-000000	5 - 16				
V202-000011	1 - 18				
V202-000011	1 - 18				
V203-000041	6 - 17				
V203-000090	3 - 7				
V225-000030	1 - 17				
V352-000020	5 - 25				
V353-000060	6 - 27				
V353-000060	7 - 27				
V355-000140	6 - 20				
V359-000060	1 - 32				
V376-000450	6 - 54				
V376-000450	6 - 54				
V376-000450	7 - 54				
V376-000540	6 - 54				
V376-000540	7 - 54				
V400-000020	5 - 15				

YAMABIKO CORPORATION

7-2 SUEHIROCHO 1-CHOME, OHME, TOKYO 198-8760, JAPAN
PHONE: 81-428-32-6118. FAX: 81-428-32-6145.



320T
No.