

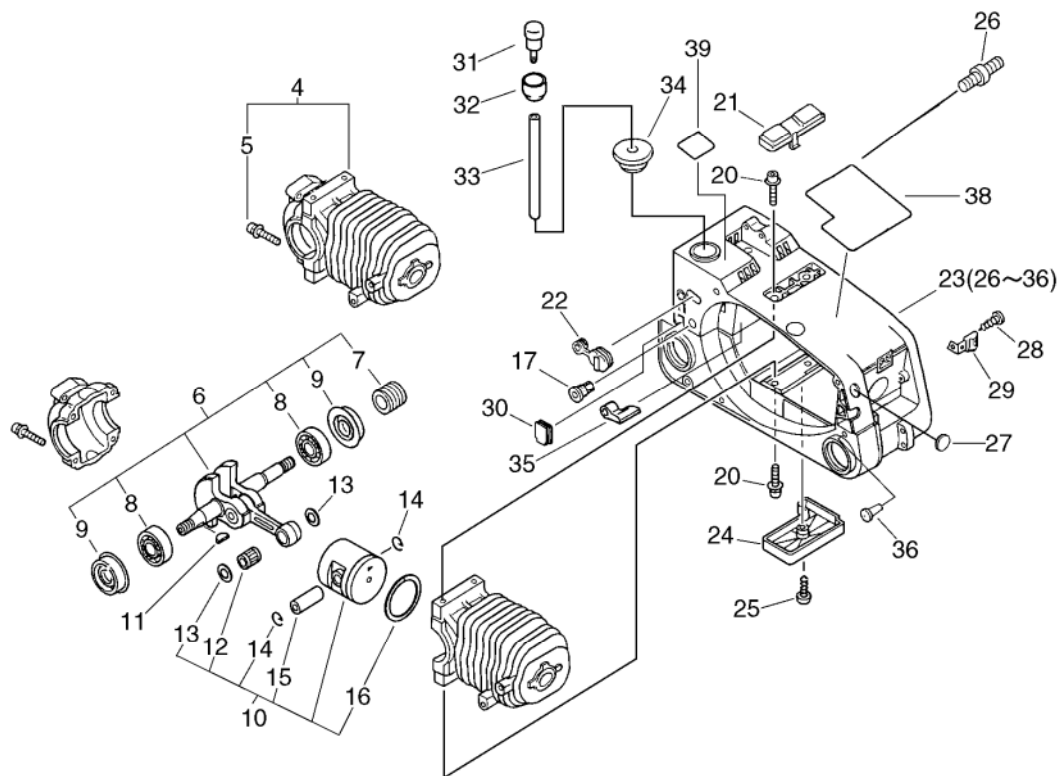


PARTS CATALOGUE

TOP HANDLE SAW CS-3000(36)

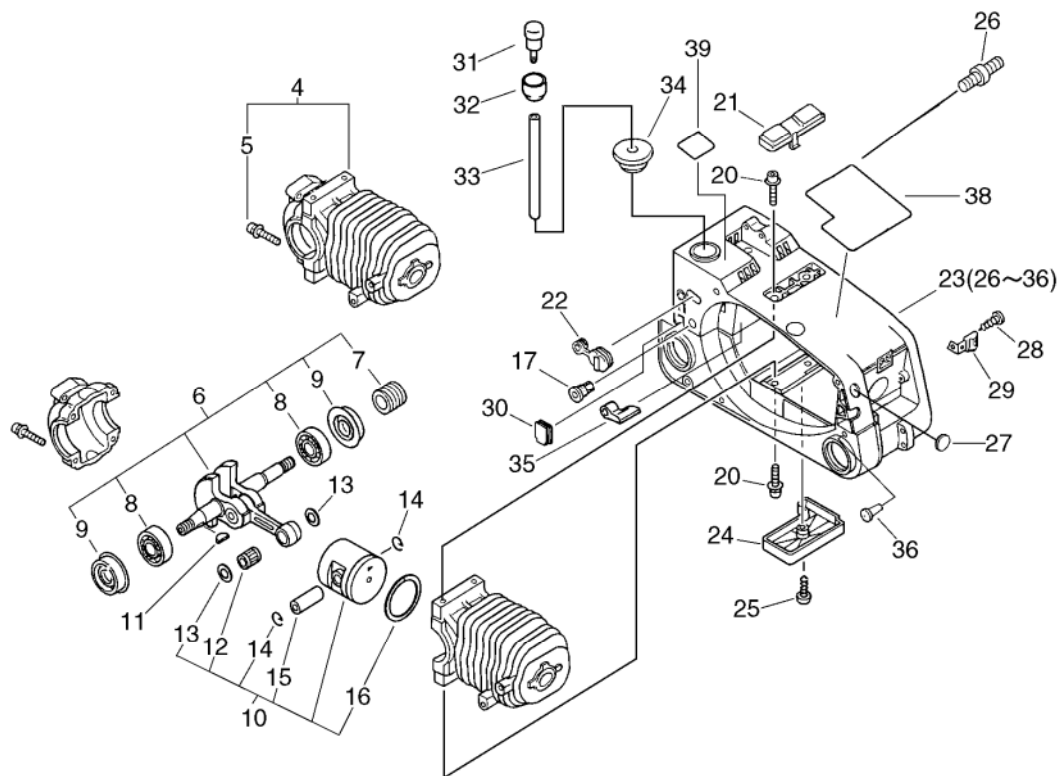
36057512 -

1. CYLINDER, CRANKCASE, PISTON



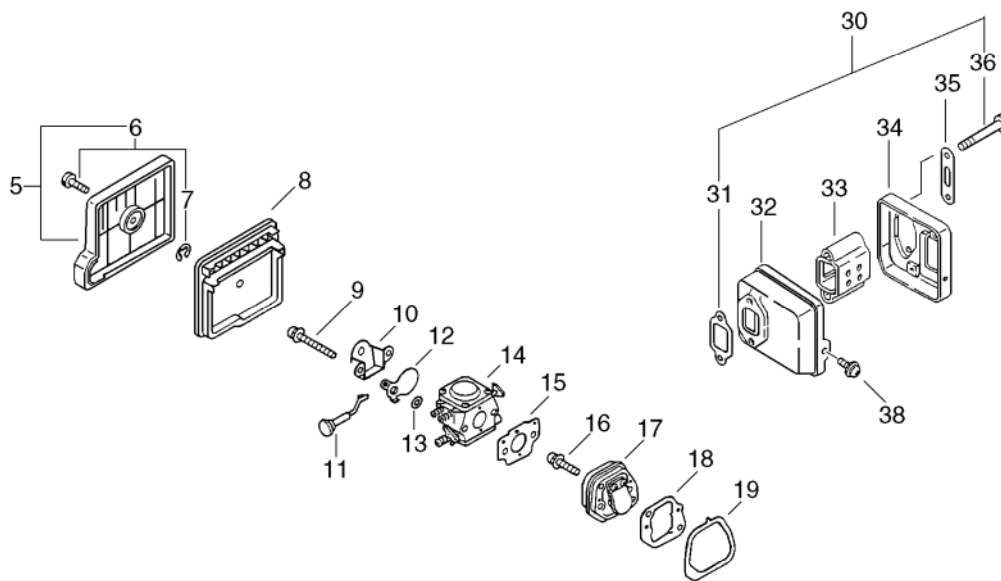
| KEY | LV | PART NUMBER | Q'TY | DESCRIPTION | REMARKS | NOTE1 | NOTE2 |
|-----|----|--------------|------|---------------------|-------------|-------|-------|
| 4 | | 100202-70031 | 1 | CRANKCASE SET | | | |
| 5 | + | 900238-05025 | 4 | SCREW 5*25 | 5*25 | | |
| 6 | | P021-007233 | 1 | CRANKSHAFT ASY | | | |
| 7 | | V652-000021 | 1 | GEAR, WORM | | | |
| 8 | + | 94035-36201 | 2 | BEARING BALL | 6201X3JR2C3 | | |
| 9 | + | V505-000010 | 2 | SEAL, OIL 12 | | | |
| 9 | + | V505-000011 | 2 | SEAL, OIL 12 | 12*32*5.5 | | |
| 11 | | 100142-39130 | 1 | KEY, WOODRUFF | | | |
| 10 | | 100000-39130 | 1 | PISTON KIT | | | |
| 12 | + | 175012-03930 | 1 | BEARING, NEEDLE | | | |
| 13 | + | 100014-11520 | 2 | SPACER, PISTON PIN | | | |
| 14 | + | 100015-04630 | 2 | CIRCLIP, PISTON PIN | | | |
| 15 | + | 100013-15330 | 1 | PIN, PISTON | 5.5*8*29 | | |
| 16 | + | 100011-46430 | 1 | RING, PISTON | | | |
| 17 | | 129023-39131 | 1 | GROMMET, IDLE | | | |
| 20 | | 900106-05016 | 4 | BOLT, H.S. 5*16 | 5*16 | | |
| 21 | | 104029-39130 | 1 | PLUG, UPPER | | | |
| 22 | | 178810-39630 | 1 | GROMMET, CHOKE | | | |
| 24 | | 104044-39130 | 1 | PLUG, LOWER | | | |
| 25 | | 900256-04016 | 1 | SCREW 4*16 | | | |
| 23 | | 104000-39134 | 1 | COVER KIT, ENGINE | | | |
| 23 | | 104000-39135 | 1 | COVER KIT | | | |
| 26 | + | 433011-03931 | 2 | STUD, GUIDE BAR | | | |
| 26 | + | V224-000031 | 2 | BOLT, STUD 6 | | | |
| 27 | + | 163911-39130 | 1 | PLUG | | | |
| 28 | + | 900253-04010 | 1 | SCREW 4*10 | 4*10 | | |

1. CYLINDER, CRANKCASE, PISTON



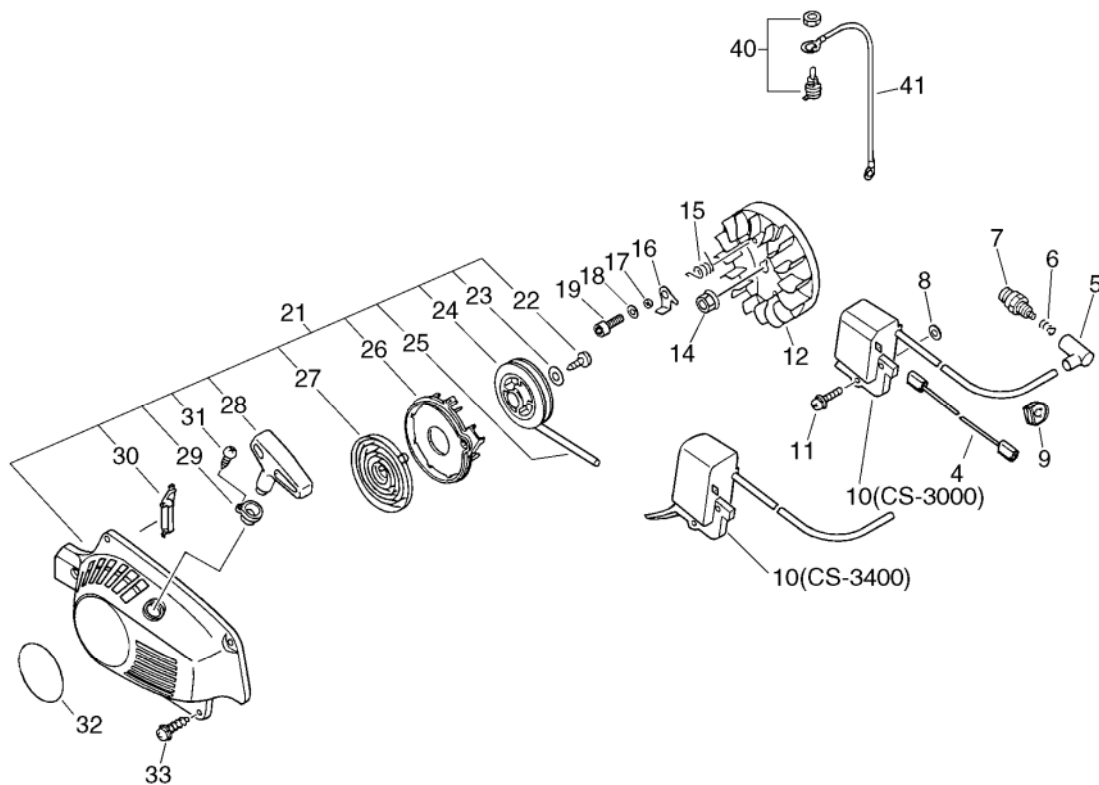
| KEY | LV | PART NUMBER | Q'TY | DESCRIPTION | REMARKS | NOTE1 | NOTE2 |
|-----|----|--------------|------|----------------|--------------|-------|-------|
| 29 | + | 104215-39131 | 1 | LATCH | | | |
| 30 | + | 104034-39130 | 1 | PLUG | | | |
| 31 | + | 131300-56430 | 1 | VALVE, CHECK | | | |
| 32 | + | 131328-39130 | 1 | COVER, VENT | | | |
| 33 | + | 132010-04920 | 1 | PIPE, FUEL | 3*5*150L NBR | | |
| 34 | + | 132115-39130 | 1 | GROMMET, FUEL | | | |
| 35 | + | 130336-39530 | 1 | PLUG | | | |
| 36 | + | 436114-13930 | 1 | VALVE, CHECK | | | |
| 38 | | X524-002110 | 1 | LABEL | CS-3000 | | |
| 39 | | 890631-38230 | 1 | LABEL, CAUTION | | | |

2. AIR CLEANER, MUFFLER



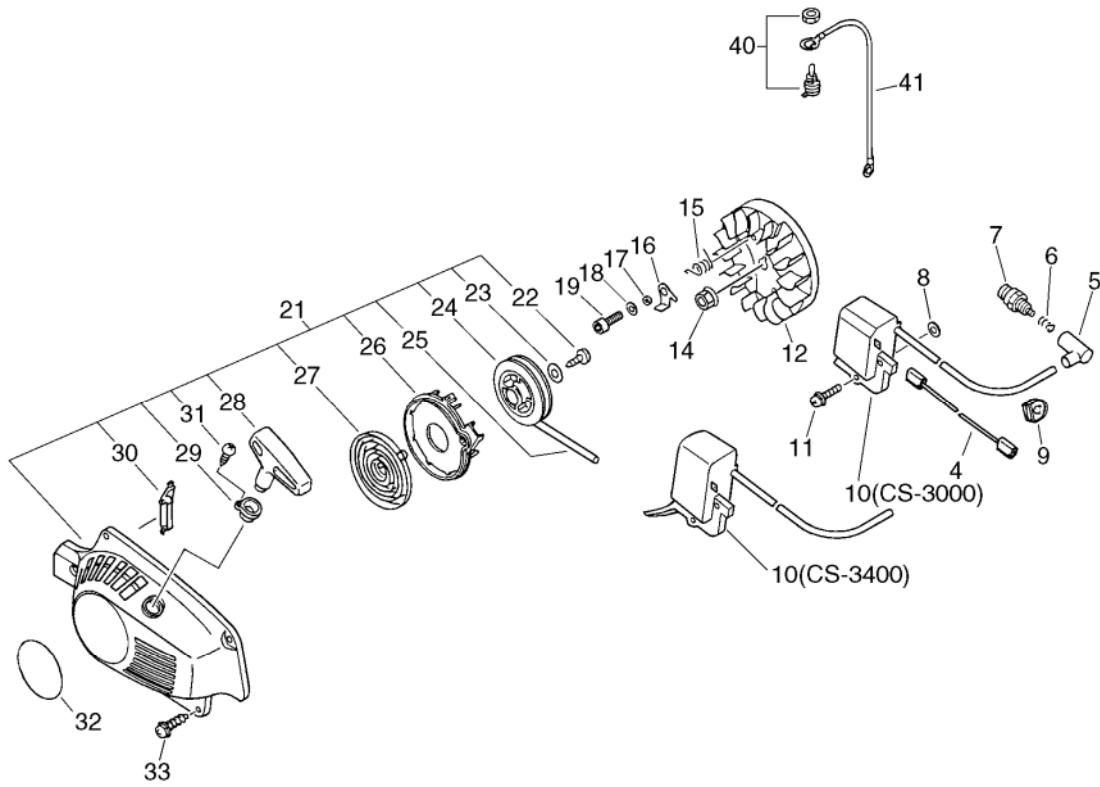
| KEY | LV | PART NUMBER | Q'TY | DESCRIPTION | REMARKS | NOTE1 | NOTE2 |
|-----|----|--------------|------|----------------------|---------|-------|-------|
| 5 | | 130302-39136 | 1 | COVER ASY, A.CLEANER | | | |
| 6 | + | 130406-13933 | 1 | BOLT, THUMB | | | |
| 7 | ++ | 900700-00004 | 1 | E-RING 4 | CE-4 | | |
| 8 | | 130310-39132 | 1 | FILTER, AIR | | | |
| 9 | | 900238-05045 | 2 | SCREW 5*45 | 5*45 | | |
| 10 | | 129011-39130 | 1 | PLATE, PREVENT | | | |
| 11 | | 178510-39130 | 1 | ROD, CHOKE | | | |
| 12 | | 178515-39130 | 1 | SHUTTER, CHOKE | | | |
| 13 | | 178516-03930 | 2 | WASHER | | | |
| 14 | | 123001-39133 | 1 | CARBURETOR WT-402B | WT-402B | | |
| 15 | | 130016-39130 | 1 | GASKET, INTAKE | | | |
| 16 | | 900250-05018 | 2 | SCREW 5*18 | 5*18 | | |
| 17 | | P021-000010 | 1 | INSULATOR KIT | | | |
| 18 | | 130010-39130 | 1 | GASKET, INTAKE | | | |
| 19 | | 130012-39131 | 1 | SEAL | | | |
| 30 | | 145600-14931 | 1 | MUFFLER ASSY | | | |
| 31 | + | 145510-13931 | 1 | GASKET, MUFFLER | | | |
| 32 | + | 145858-13931 | 1 | MUFFLER | | | |
| 33 | + | 145859-13930 | 1 | SILENCER | | | |
| 34 | + | 145606-14931 | 1 | LID, MUFFLER | | | |
| 35 | + | 145642-13930 | 1 | WASHER, MUFFLER | | | |
| 36 | + | 101023-13930 | 2 | BOLT, MUFFLER | | | |
| 38 | + | 900250-04008 | 1 | SCREW 4*8 | 4*8 | | |

3. STARTER, MAGNETO



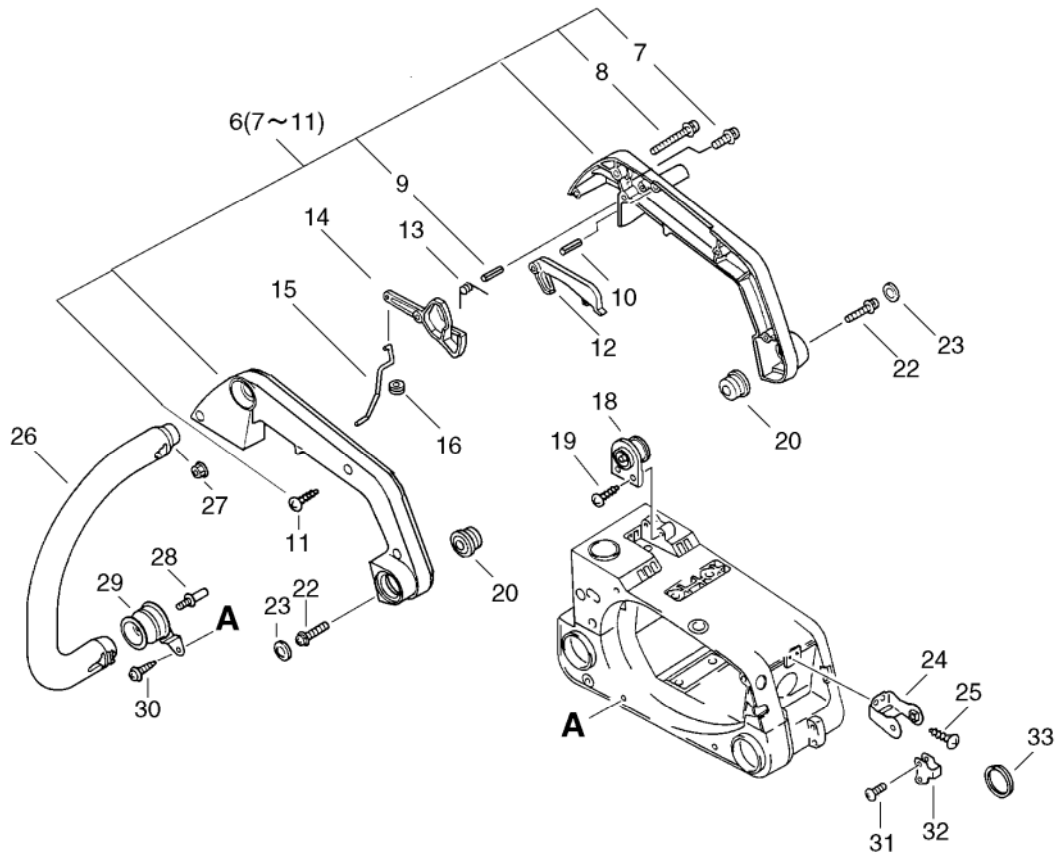
| KEY | LV | PART NUMBER | Q'TY | DESCRIPTION | REMARKS | NOTE1 | NOTE2 |
|-----|----|--------------|------|-----------------------|---------------------|-------|-------|
| 4 | | 162010-39431 | 1 | LEAD | | | |
| 5 | | 159012-01620 | 1 | CAP, SPARK PLUG | | | |
| 6 | | 159011-03432 | 1 | COIL, SPARK PLUG | | | |
| 7 | | 159010-10230 | 1 | PLUG, SPARK (BPMR-7A) | BPMR-7A | | |
| 8 | | 150117-16430 | 2 | SPACER | | | |
| 9 | | 156110-04920 | 1 | BUSHING | | | |
| 10 | | 156626-39430 | 1 | COIL, IGNITION | | | |
| 11 | | 900238-05022 | 2 | SCREW 5*22 | 5*22 | | |
| 12 | | 156800-39432 | 1 | ROTOR, MAGNETO | EMG-51 ID C7979N | | |
| 14 | | 900515-00008 | 1 | NUT, FLANGE 8 | 8 | | |
| 15 | | 177234-35430 | 2 | SPRING, RETURN | | | |
| 16 | | A514-000000 | 2 | PAWL | | | |
| 17 | | 177247-04630 | 2 | SPACER, RATCHET | 5.2*8*2.1 | | |
| 18 | | 900603-00005 | 2 | WASHER 5 | 5.5*12*0.8 | | |
| 19 | | V203-000090 | 2 | BOLT,5 | M5*14 | | |
| 21 | | 177200-39432 | 1 | STARTER ASY | | | |
| 22 | + | 900253-04014 | 1 | SCREW 4*14 | 4*14 | | |
| 23 | + | 177214-04630 | 1 | WASHER | 4.1*15.5*1T | | |
| 24 | + | 177215-35632 | 1 | REEL, ROPE | | | |
| 25 | + | 177226-06530 | 1 | ROPE, STARTER | 3.0*850 | | |
| 26 | + | 177221-35631 | 1 | PLATE, STARTER | | | |
| 27 | + | 177220-35430 | 1 | SPRING, REWIND | | | |
| 28 | + | 177228-35431 | 1 | GRIP, STARTER | | | |
| 29 | + | 177227-39131 | 1 | GUIDE, ROPE BL | | | |
| 30 | + | 177256-39130 | 1 | PLUG | | | |

3. STARTER, MAGNETO



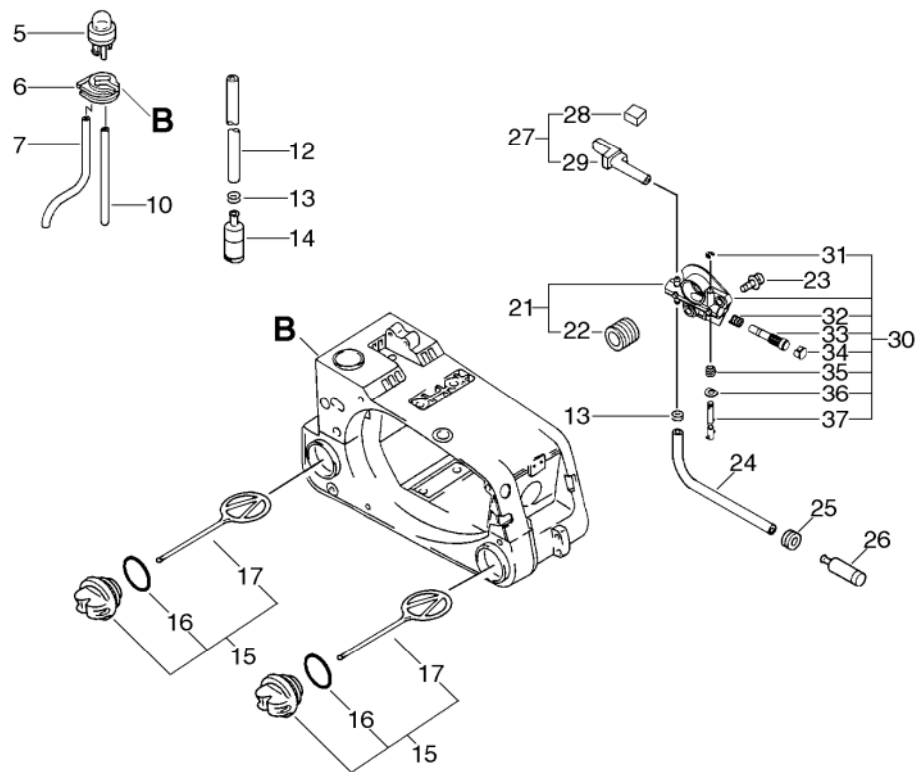
| KEY | LV | PART NUMBER | Q'TY | DESCRIPTION | REMARKS | NOTE1 | NOTE2 |
|-----|----|--------------|------|------------------|----------|-------|-------|
| 31 | + | 900296-03014 | 1 | SCREW 3*14 | 3*14 SUS | | |
| 32 | | X502-000410 | 1 | LABEL,ECHO | | | |
| 33 | | 900256-04016 | 4 | SCREW 4*16 | | | |
| 40 | | 163400-39130 | 1 | SWITCH, IGNITION | | | |
| 41 | | 162010-39131 | 1 | LEAD, GROUD | 100L | | |

4. HANDLE



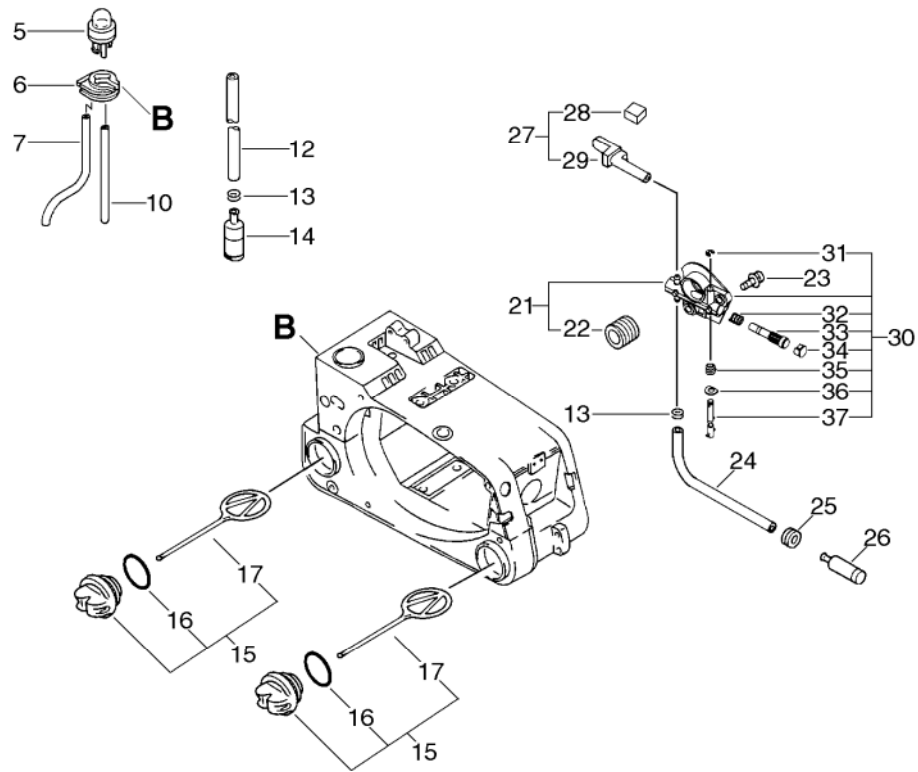
| KEY | LV | PART NUMBER | Q'TY | DESCRIPTION | REMARKS | NOTE1 | NOTE2 |
|-----|----|--------------|------|---------------------|---------|-------|-------|
| 6 | | 351100-39131 | 1 | HANDLE SET, REAR BL | | | |
| 7 | + | 900238-05014 | 1 | SCREW 5*14 | 5*14 | | |
| 8 | + | 900238-05035 | 1 | SCREW 5*35 | 5*35 | | |
| 9 | + | 900345-40025 | 1 | PIN, SPRING 4*25SUS | 4*25SUS | | |
| 10 | + | 900345-40020 | 1 | PIN, SPRING 4*20 | 4*20 | | |
| 11 | + | 900256-04016 | 3 | SCREW 4*16 | | | |
| 12 | | 178090-39130 | 1 | LOCKOUT, THROTTLE | | | |
| 13 | | 178043-39131 | 1 | SPRING, THR. RETURN | | | |
| 14 | | 178010-39131 | 1 | CONTROL, THROTTLE | | | |
| 15 | | 178011-39131 | 1 | ROD, THROTTLE | | | |
| 16 | | 178210-39130 | 1 | GROMMET, THROTTLE | | | |
| 18 | | 100907-39131 | 1 | CUSHION | | | |
| 19 | | 900253-04014 | 2 | SCREW 4*14 | 4*14 | | |
| 20 | | 100921-39131 | 2 | CUSHION | | | |
| 22 | | 900238-04010 | 2 | SCREW 4*10 | 4*10 | | |
| 23 | | 100918-15130 | 2 | CAP | | | |
| 24 | | 351123-39131 | 1 | SUPPORTER | | | |
| 25 | | 900253-04014 | 2 | SCREW 4*14 | 4*14 | | |
| 26 | | 351610-39130 | 1 | HANDLE, FRONT | | | |
| 27 | | 900516-00005 | 1 | NUT, FRANGE 5 | 5 | | |
| 28 | | 100915-33930 | 1 | SCREW | | | |
| 29 | | 100910-35630 | 1 | CUSHION | | | |
| 30 | | 900256-04016 | 1 | SCREW 4*16 | | | |
| 31 | | 900238-04016 | 2 | SCREW 4*16 | 4*16 | | |
| 32 | | 300314-39130 | 1 | FIXTURE, HARNESS | | | |
| 33 | | 301016-52730 | 1 | RING, HARNESS | | | |

5. AUTO-OILER



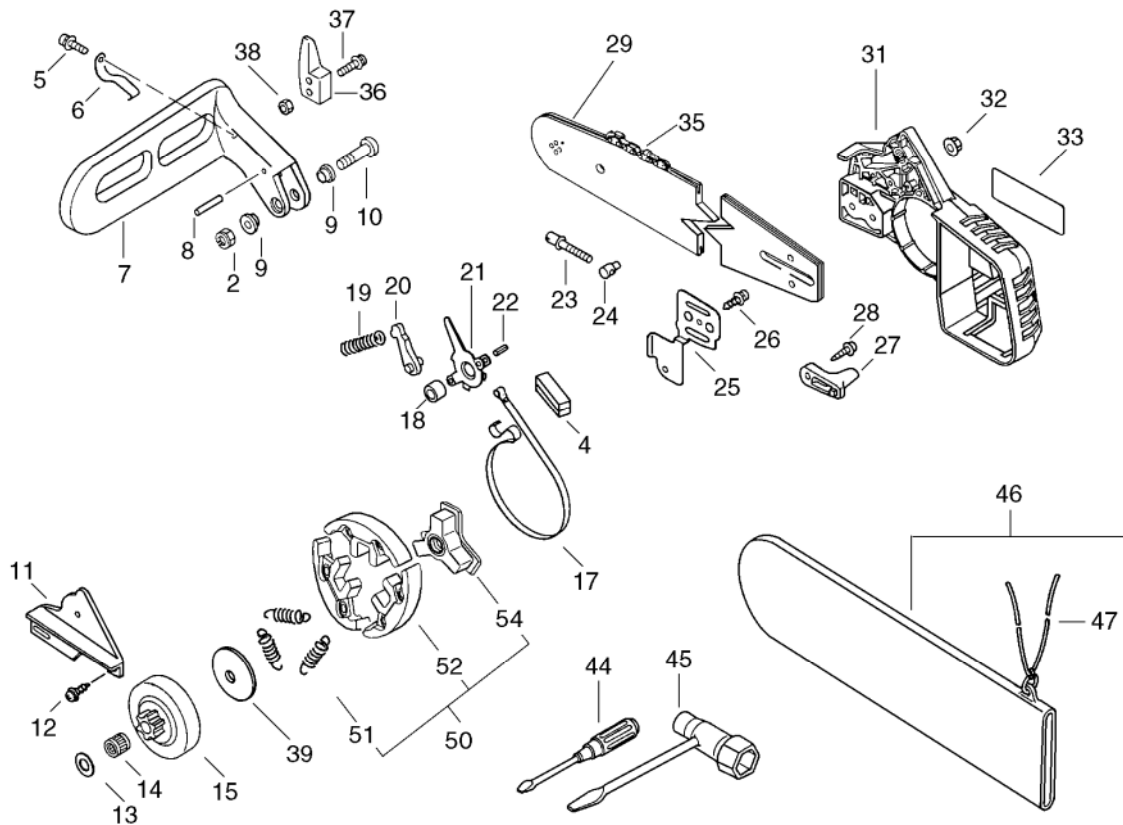
| KEY | LV | PART NUMBER | Q'TY | DESCRIPTION | REMARKS | NOTE1 | NOTE2 |
|-----|----|--------------|------|-----------------|------------|-------|-------|
| 5 | | 123181-39130 | 1 | PUMP, PRIMER | | | |
| 6 | | 132758-39131 | 1 | BRACKET, PUMP | | | |
| 7 | | 132716-39130 | 1 | PIPE 2*4*42 | 2*4*42 | | |
| 10 | | V471-001200 | 1 | PIPE | 3*5*70 NBR | | |
| 12 | | 132012-39130 | 1 | PIPE | 3*6*80 NBR | | |
| 13 | | 132013-26630 | 2 | CLIP | 6.5MM | | |
| 14 | | 131205-14930 | 1 | STRAINER,FUEL | | | |
| 15 | | P021-007630 | 1 | CAP ASY,TANK | | | |
| 16 | + | 900721-00025 | 2 | O-RING 25 | G-25 | | |
| 17 | + | A365-000050 | 2 | CONNECTOR,CAP | | | |
| 21 | | 437000-39130 | 1 | AUTO-OILER ASSY | | | |
| 22 | + | V652-000021 | 1 | GEAR,WORM | | | |
| 30 | | C022-000010 | 1 | OILER,ASM AUTO | | | |
| 31 | ++ | 123127-15030 | 1 | RING | | | |
| 32 | ++ | 437019-38330 | 1 | SPRING | | | |
| 35 | ++ | 437015-37330 | 1 | SPRING | | | |
| 34 | ++ | 437062-37330 | 1 | CAP, OIL PUMP | | | |
| 33 | ++ | 437024-37330 | 1 | PLUNGER | | | |
| 36 | ++ | 437029-37330 | 1 | WASHER | | | |
| 37 | ++ | 437016-39130 | 1 | NEEDLE, ADJUST | | | |
| 23 | | 900235-05012 | 2 | SCREW 5*12 | 5*12 | | |
| 24 | | V471-000110 | 1 | PIPE | 3*6*115 | | |
| 25 | | 132115-01461 | 1 | GROMMET | | | |
| 26 | | 436205-02832 | 1 | STRAINER, OIL | | | |
| 27 | | 437201-39131 | 1 | PIPE KIT, OIL | | | |
| 28 | + | 437244-39130 | 1 | PAD, FORM | | | |

5. AUTO-OILER



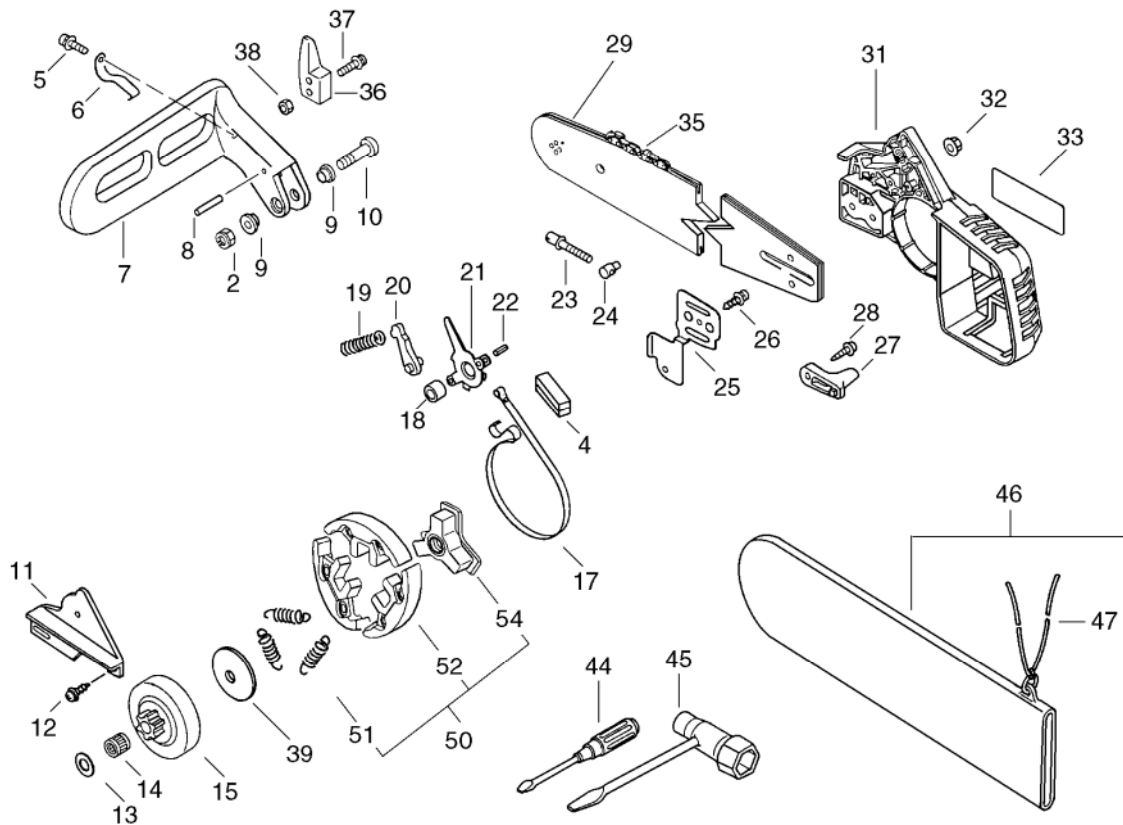
| KEY | LV | PART NUMBER | Q'TY | DESCRIPTION | REMARKS | NOTE1 | NOTE2 |
|-----|----|--------------|------|-------------|---------|-------|-------|
| 29 | + | 437211-39133 | 1 | PIPE | | | |

6. CLUTCH, SPROCKET



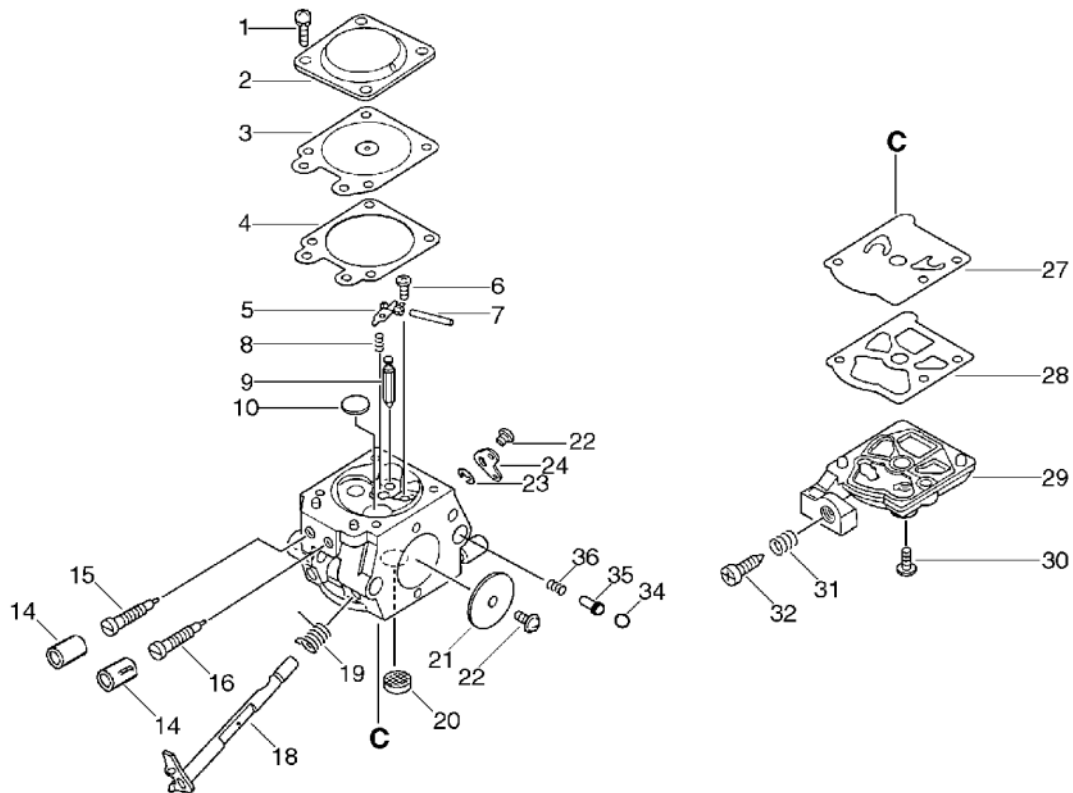
| KEY | LV | PART NUMBER | Q'TY | DESCRIPTION | REMARKS | NOTE1 | NOTE2 |
|-----|----|--------------|------|-----------------|---------------|-------|-------|
| 2 | | 900562-50005 | 1 | LOCKNUT 5 | 5 | | |
| 4 | | 433312-32630 | 1 | COVER, SEAL | | | |
| 5 | | 900253-04010 | 1 | SCREW 4*10 | 4*10 | | |
| 6 | | 433114-39130 | 1 | SPRING | | | |
| 7 | | 433111-39631 | 1 | LEVER, BRAKE | | | |
| 8 | | 900330-40238 | 1 | ROLLER 4*23.8 | 4*23.8 | | |
| 9 | | 433167-39130 | 2 | SPACER | | | |
| 10 | | 91318-05032 | 1 | SCREW | 5*32 | | |
| 11 | | 433310-39130 | 1 | COVER, BRAKE | | | |
| 12 | | 900253-04012 | 3 | SCREW | 4*12 | | |
| 13 | | 175014-39131 | 1 | WASHER, CLUTCH | 10.2*24.5*1.2 | | |
| 14 | | 175012-35630 | 1 | BEARING, NEEDLE | 10*13*10 | | |
| 15 | | 175005-39132 | 1 | DRUM, CLUTCH | 3/8A | | |
| 15 | | 175005-39133 | 1 | DRUM, CLUTCH | | | |
| 17 | | 433123-39130 | 1 | BAND, BRAKE | | | |
| 18 | | 433116-35430 | 1 | SPACER 8 | 8*12*9 | | |
| 19 | | 433122-35430 | 1 | SPRING, BRAKE | | | |
| 20 | | 433209-35430 | 1 | STOPPER, BRAKE | | | |
| 21 | | 433208-35431 | 1 | LEVER, BRAKE | | | |
| 22 | | 900330-40088 | 1 | ROLLER 4*8.8 | 4*8.8 | | |
| 23 | | 433016-39131 | 1 | BOLT | | | |
| 24 | | 433014-03931 | 1 | TENSIONER | | | |
| 25 | | 433012-39131 | 1 | PLATE, GUIDE | | | |
| 26 | | 900253-04010 | 1 | SCREW 4*10 | 4*10 | | |
| 27 | | 433026-35430 | 1 | CATCHER, CHAIN | | | |

6. CLUTCH, SPROCKET



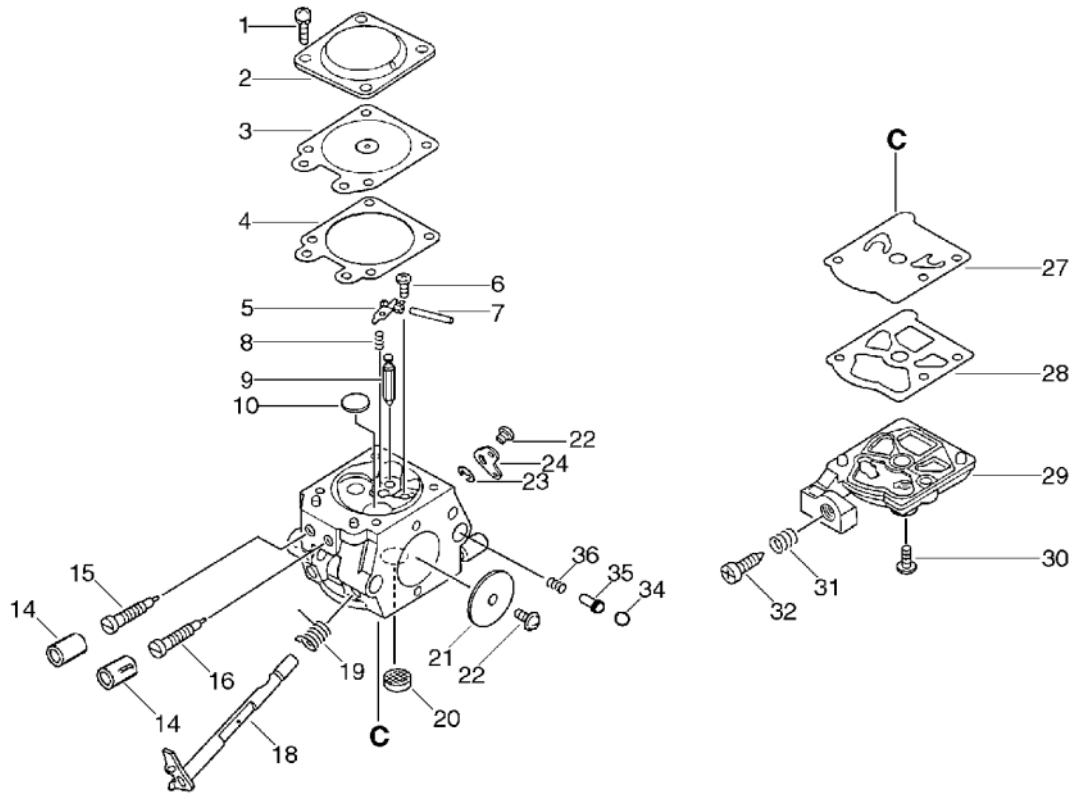
| KEY | LV | PART NUMBER | Q'TY | DESCRIPTION | REMARKS | NOTE1 | NOTE2 |
|-----|----|--------------|------|------------------------|---------------------|-------|-------|
| 28 | | 900253-05020 | 1 | SCREW 5*20 | 5*20 | | |
| 29 | | X122-000071 | 1 | BAR, GUIDE 30RC50M-3/8 | 30RC50M-3/8 ECHO | | |
| 31 | | 433005-39133 | 1 | GUARD, SPROCKET | | | |
| 32 | | 433019-03933 | 2 | NUT, FLANGE 6 | 6 | | |
| 33 | | X502-000340 | 1 | LABEL, ECHO | ECHO(WHITE) | | |
| 35 | | 431010-39230 | 1 | CHAIN, SAW 91VG-47E | 91VG-47E 30C | | |
| 36 | | 433171-39630 | 1 | WEIGHT, BRAKE | | | |
| 37 | | 900238-04020 | 2 | SCREW 4*20 | 4*20 | | |
| 38 | | 900500-00004 | 2 | NUT 4 | 4 | | |
| 39 | | A551-000010 | 1 | PLATE, CLUTCH | | | |
| 44 | | 895812-03930 | 1 | DRIVER, SCREW 50 | | | |
| 45 | | 895410-03930 | 1 | WRENCH, W/S. DRIVER | | | |
| 46 | | P021-006951 | 1 | SCABBARD, CHAIN | (ORANGE) | | |
| 47 | + | 898568-14530 | 1 | ROPE | 5*900 | | |
| 50 | | A056-000070 | 1 | CLUTCH | | | |
| 51 | + | V451-000470 | 3 | SPRING, TENSION | | | |
| 52 | + | P021-005810 | 1 | CLUTCH SHOE SET | | | |
| 54 | + | A552-000020 | 1 | HUB, CLUTCH | | | |

7. CARBURETOR



| KEY | LV | PART NUMBER | Q'TY | DESCRIPTION | REMARKS | NOTE1 | NOTE2 |
|-----|----|--------------|------|----------------------|---------|-------|-------|
| | | 123001-39133 | 1 | CARBURETOR WT-402B | WT-402B | | |
| 1 | + | 123130-02960 | 4 | SCREW | | | |
| 2 | + | 123142-03930 | 1 | COVER, M. DIAPHRAGM | | | |
| 3 | + | 123141-03930 | 1 | DIAPHRAGM, METERING | | | |
| 4 | + | 123140-27230 | 1 | GASKET, M. DIAPHRAGM | | | |
| 5 | + | 123123-03930 | 1 | LEVER, METERING | | | |
| 6 | + | 123139-03930 | 1 | SCREW, M. LEVER PIN | | | |
| 7 | + | 123138-03930 | 1 | PIN, METERING LEVER | | | |
| 8 | + | 123122-03660 | 1 | SPRING, METER. LEVER | | | |
| 9 | + | 123137-19830 | 1 | VALVE, INLET NEEDLE | | | |
| 10 | + | 123146-10631 | 1 | PLUG, WELCH | | | |
| 14 | + | P003-000010 | 2 | LIMITER CAP | | | |
| 15 | + | 123120-39231 | 1 | NEEDLE, HIGH SPEED | | | |
| 16 | + | 123118-39231 | 1 | NEEDLE, IDLE | | | |
| 18 | + | 123117-39530 | 1 | SHAFT, THROTTLE | | | |
| 19 | + | 123113-47530 | 1 | SPRING, THR. RTN. | | | |
| 20 | + | 123126-10631 | 1 | SCREEN, INLET | | | |
| 21 | + | 123116-05230 | 1 | VALVE, THROTTLE | | | |
| 22 | + | 123114-38830 | 2 | SCREW | | | |
| 23 | + | 123127-15030 | 1 | RING | | | |
| 24 | + | 123150-39230 | 1 | LEVER, THROTTLE | | | |
| 27 | + | 123112-15030 | 1 | DIAPHRAGM, FUEL PUMP | | | |
| 28 | + | 123125-15030 | 1 | GASKET, FUEL PUMP | | | |
| 29 | + | 123124-09320 | 1 | COVER, FUEL PUMP | | | |
| 30 | + | 123110-03930 | 1 | SCREW, PUMP COVER | | | |
| 31 | + | 123133-11130 | 1 | SPRING, IDLE ADJUST | | | |

7. CARBURETOR



| KEY | LV | PART NUMBER | Q'TY | DESCRIPTION | REMARKS | NOTE1 | NOTE2 |
|-----|----|--------------|------|---------------------|---------|-------|-------|
| 32 | + | 123134-19730 | 1 | SCREW, IDLE ADJUST | | | |
| 34 | + | 123136-09660 | 1 | BALL | | | |
| 35 | + | 123185-09660 | 1 | PISTON ASSY | | | |
| 36 | + | 123186-09660 | 1 | SPRING, START VALVE | | | |

8. CHAIN BRAKE ASSEMBLY

| KEY | LV | PART NUMBER | Q'TY | DESCRIPTION | REMARKS | NOTE1 | NOTE2 |
|-----|----|--------------|------|------------------|---------|-------|-------|
| | | 433100-39631 | 1 | BRAKE ASY, CHAIN | | | |

Index

| Patrs Number | Key No. | Patrs Number | Key No. | Patrs Number | Key No. |
|---------------------|----------------|---------------------|----------------|---------------------|----------------|
| 100000-39130 | 1 - 10 | 123185-09660 | 7 - 35 | 177227-39131 | 3 - 29 |
| 100011-46430 | 1 - 16 | 123186-09660 | 7 - 36 | 177228-35431 | 3 - 28 |
| 100013-15330 | 1 - 15 | 129011-39130 | 2 - 10 | 177234-35430 | 3 - 15 |
| 100014-11520 | 1 - 13 | 129023-39131 | 1 - 17 | 177247-04630 | 3 - 17 |
| 100015-04630 | 1 - 14 | 130010-39130 | 2 - 18 | 177256-39130 | 3 - 30 |
| 100142-39130 | 1 - 11 | 130012-39131 | 2 - 19 | 178010-39131 | 4 - 14 |
| 100202-70031 | 1 - 4 | 130016-39130 | 2 - 15 | 178011-39131 | 4 - 15 |
| 100907-39131 | 4 - 18 | 130302-39136 | 2 - 5 | 178043-39131 | 4 - 13 |
| 100910-35630 | 4 - 29 | 130310-39132 | 2 - 8 | 178090-39130 | 4 - 12 |
| 100915-33930 | 4 - 28 | 130336-39530 | 1 - 35 | 178210-39130 | 4 - 16 |
| 100918-15130 | 4 - 23 | 130406-13933 | 2 - 6 | 178510-39130 | 2 - 11 |
| 100921-39131 | 4 - 20 | 131205-14930 | 5 - 14 | 178515-39130 | 2 - 12 |
| 101023-13930 | 2 - 36 | 131300-56430 | 1 - 31 | 178516-03930 | 2 - 13 |
| 104000-39134 | 1 - 23 | 131328-39130 | 1 - 32 | 178810-39630 | 1 - 22 |
| 104000-39135 | 1 - 23 | 132010-04920 | 1 - 33 | 300314-39130 | 4 - 32 |
| 104029-39130 | 1 - 21 | 132012-39130 | 5 - 12 | 301016-52730 | 4 - 33 |
| 104034-39130 | 1 - 30 | 132013-26630 | 5 - 13 | 351100-39131 | 4 - 6 |
| 104044-39130 | 1 - 24 | 132115-01461 | 5 - 25 | 351123-39131 | 4 - 24 |
| 104215-39131 | 1 - 29 | 132115-39130 | 1 - 34 | 351610-39130 | 4 - 26 |
| 123001-39133 | 2 - 14 | 132716-39130 | 5 - 7 | 431010-39230 | 6 - 35 |
| 123001-39133 | 7 - | 132758-39131 | 5 - 6 | 433005-39133 | 6 - 31 |
| 123110-03930 | 7 - 30 | 145510-13931 | 2 - 31 | 433011-03931 | 1 - 26 |
| 123112-15030 | 7 - 27 | 145600-14931 | 2 - 30 | 433012-39131 | 6 - 25 |
| 123113-47530 | 7 - 19 | 145606-14931 | 2 - 34 | 433014-03931 | 6 - 24 |
| 123114-38830 | 7 - 22 | 145642-13930 | 2 - 35 | 433016-39131 | 6 - 23 |
| 123116-05230 | 7 - 21 | 145858-13931 | 2 - 32 | 433019-03933 | 6 - 32 |
| 123117-39530 | 7 - 18 | 145859-13930 | 2 - 33 | 433026-35430 | 6 - 27 |
| 123118-39231 | 7 - 16 | 150117-16430 | 3 - 8 | 433100-39631 | 8 - |
| 123120-39231 | 7 - 15 | 156110-04920 | 3 - 9 | 433111-39631 | 6 - 7 |
| 123122-03660 | 7 - 8 | 156626-39430 | 3 - 10 | 433114-39130 | 6 - 6 |
| 123123-03930 | 7 - 5 | 156800-39432 | 3 - 12 | 433116-35430 | 6 - 18 |
| 123124-09320 | 7 - 29 | 159010-10230 | 3 - 7 | 433122-35430 | 6 - 19 |
| 123125-15030 | 7 - 28 | 159011-03432 | 3 - 6 | 433123-39130 | 6 - 17 |
| 123126-10631 | 7 - 20 | 159012-01620 | 3 - 5 | 433167-39130 | 6 - 9 |
| 123127-15030 | 5 - 31 | 162010-39131 | 3 - 41 | 433171-39630 | 6 - 36 |
| 123127-15030 | 7 - 23 | 162010-39431 | 3 - 4 | 433208-35431 | 6 - 21 |
| 123130-02960 | 7 - 1 | 163400-39130 | 3 - 40 | 433209-35430 | 6 - 20 |
| 123133-11130 | 7 - 31 | 163911-39130 | 1 - 27 | 433310-39130 | 6 - 11 |
| 123134-19730 | 7 - 32 | 175005-39132 | 6 - 15 | 433312-32630 | 6 - 4 |
| 123136-09660 | 7 - 34 | 175005-39133 | 6 - 15 | 436114-13930 | 1 - 36 |
| 123137-19830 | 7 - 9 | 175012-03930 | 1 - 12 | 436205-02832 | 5 - 26 |
| 123138-03930 | 7 - 7 | 175012-35630 | 6 - 14 | 437000-39130 | 5 - 21 |
| 123139-03930 | 7 - 6 | 175014-39131 | 6 - 13 | 437015-37330 | 5 - 35 |
| 123140-27230 | 7 - 4 | 177200-39432 | 3 - 21 | 437016-39130 | 5 - 37 |
| 123141-03930 | 7 - 3 | 177214-04630 | 3 - 23 | 437019-38330 | 5 - 32 |
| 123142-03930 | 7 - 2 | 177215-35632 | 3 - 24 | 437024-37330 | 5 - 33 |
| 123146-10631 | 7 - 10 | 177220-35430 | 3 - 27 | 437029-37330 | 5 - 36 |
| 123150-39230 | 7 - 24 | 177221-35631 | 3 - 26 | 437062-37330 | 5 - 34 |
| 123181-39130 | 5 - 5 | 177226-06530 | 3 - 25 | 437201-39131 | 5 - 27 |

Index

| Patrs Number | Key No. | Patrs Number | Key No. | Patrs Number | Key No. |
|---------------------|----------------|---------------------|----------------|---------------------|----------------|
| 437211-39133 | 5 - 29 | C022-000010 | 5 - 30 | | |
| 437244-39130 | 5 - 28 | P003-000010 | 7 - 14 | | |
| 890631-38230 | 1 - 39 | P021-000010 | 2 - 17 | | |
| 895410-03930 | 6 - 45 | P021-005810 | 6 - 52 | | |
| 895812-03930 | 6 - 44 | P021-006951 | 6 - 46 | | |
| 898568-14530 | 6 - 47 | P021-007233 | 1 - 6 | | |
| 900106-05016 | 1 - 20 | P021-007630 | 5 - 15 | | |
| 900235-05012 | 5 - 23 | V203-000090 | 3 - 19 | | |
| 900238-04010 | 4 - 22 | V224-000031 | 1 - 26 | | |
| 900238-04016 | 4 - 31 | V451-000470 | 6 - 51 | | |
| 900238-04020 | 6 - 37 | V471-000110 | 5 - 24 | | |
| 900238-05014 | 4 - 7 | V471-001200 | 5 - 10 | | |
| 900238-05022 | 3 - 11 | V505-000010 | 1 - 9 | | |
| 900238-05025 | 1 - 5 | V505-000011 | 1 - 9 | | |
| 900238-05035 | 4 - 8 | V652-000021 | 1 - 7 | | |
| 900238-05045 | 2 - 9 | V652-000021 | 5 - 22 | | |
| 900250-04008 | 2 - 38 | X122-000071 | 6 - 29 | | |
| 900250-05018 | 2 - 16 | X502-000340 | 6 - 33 | | |
| 900253-04010 | 1 - 28 | X502-000410 | 3 - 32 | | |
| 900253-04010 | 6 - 5 | X524-002110 | 1 - 38 | | |
| 900253-04010 | 6 - 26 | | | | |
| 900253-04012 | 6 - 12 | | | | |
| 900253-04014 | 3 - 22 | | | | |
| 900253-04014 | 4 - 19 | | | | |
| 900253-04014 | 4 - 25 | | | | |
| 900253-05020 | 6 - 28 | | | | |
| 900256-04016 | 1 - 25 | | | | |
| 900256-04016 | 3 - 33 | | | | |
| 900256-04016 | 4 - 11 | | | | |
| 900256-04016 | 4 - 30 | | | | |
| 900296-03014 | 3 - 31 | | | | |
| 900330-40088 | 6 - 22 | | | | |
| 900330-40238 | 6 - 8 | | | | |
| 900345-40020 | 4 - 10 | | | | |
| 900345-40025 | 4 - 9 | | | | |
| 900500-00004 | 6 - 38 | | | | |
| 900515-00008 | 3 - 14 | | | | |
| 900516-00005 | 4 - 27 | | | | |
| 900562-50005 | 6 - 2 | | | | |
| 900603-00005 | 3 - 18 | | | | |
| 900700-00004 | 2 - 7 | | | | |
| 900721-00025 | 5 - 16 | | | | |
| 91318-05032 | 6 - 10 | | | | |
| 94035-36201 | 1 - 8 | | | | |
| A056-000070 | 6 - 50 | | | | |
| A365-000050 | 5 - 17 | | | | |
| A514-000000 | 3 - 16 | | | | |
| A551-000010 | 6 - 39 | | | | |
| A552-000020 | 6 - 54 | | | | |

YAMABIKO CORPORATION

7-2 SUEHIROCHO 1-CHOME, OHME, TOKYO 198-8760, JAPAN
PHONE: 81-428-32-6118. FAX: 81-428-32-6145.



10Hb
No. 60-212