

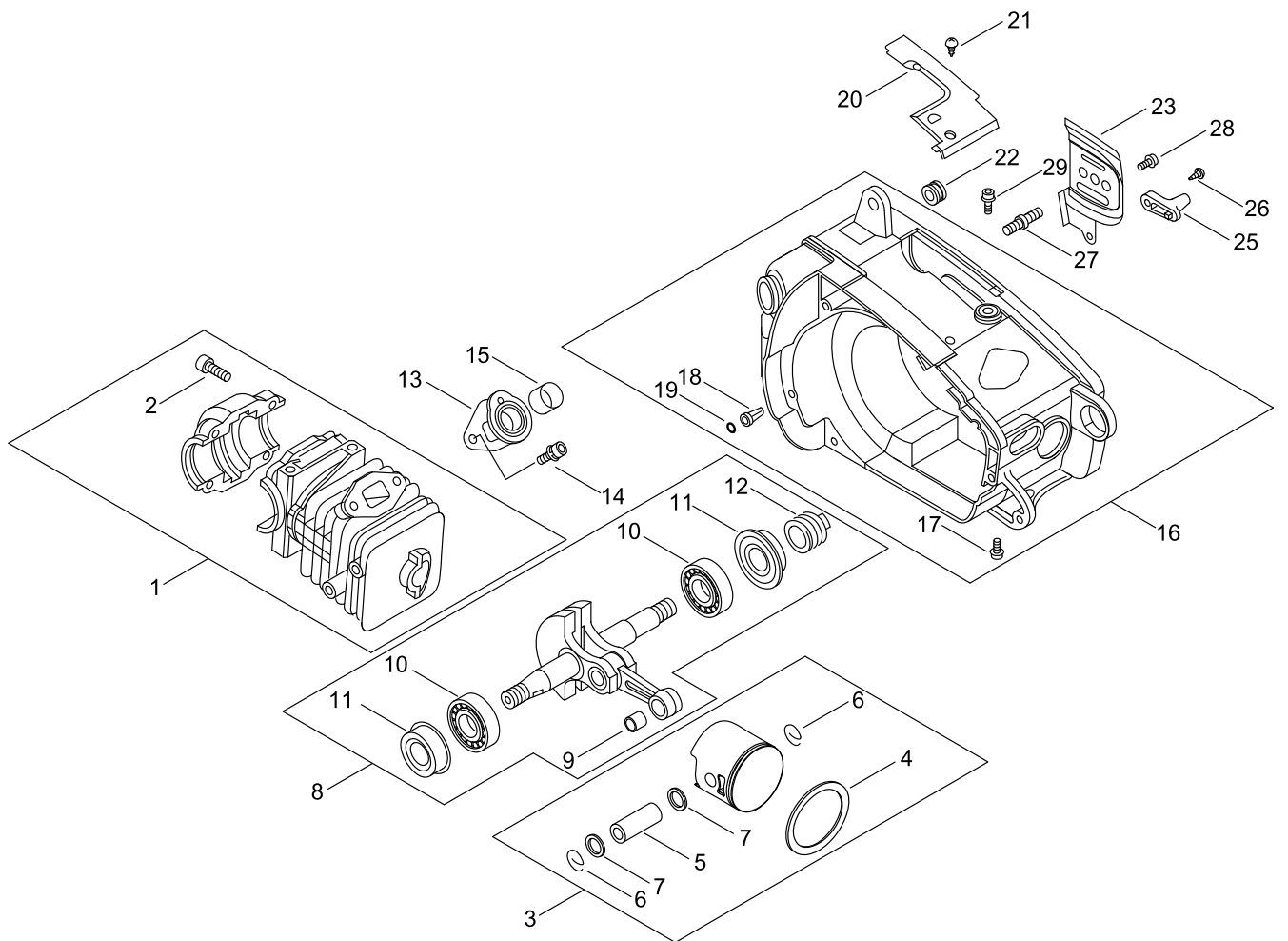
CS-2600ES

Published:12/20/2017

TABLE OF CONTENTS

Cylinder, Crankcase, Piston.....	1
Air Cleaner, Muffler	3
Starter, Magneto(Sr/Nr 36064658 and before).....	5
Starter, Magneto(Sr/Nr 36064659 and after)	9
Auto-Oiler	11
Handle, Tools(Sr/Nr 36069194 and before).....	13
Handle, Tools(Sr/Nr 36069195 and after)	15
Clutch, Sprocket(Sr/Nr 36064658 and before).....	17
Clutch, Sprocket(Sr/Nr 36064659 and after)	21
Carburetor(Sr/Nr 35010651 and before).....	23
Carburetor(Sr/Nr 36001001 and after)	25
Chain Brake Asy(Sr/Nr 36064658 and before).....	29
Chain Brake Asy(Sr/Nr 36064659 and after).....	33

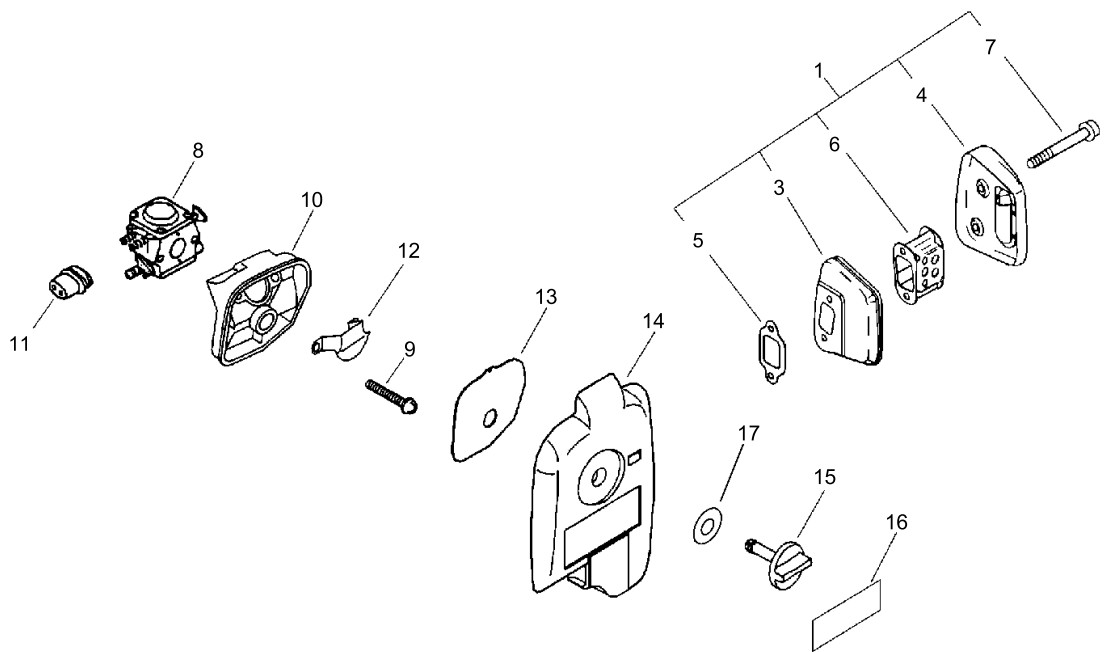
Cylinder, Crankcase, Piston



Cylinder, Crankcase, Piston

KEY NO	LV(+)	Part No	Description	Qty	Standard	Comment
1		P021-001891	CRANKCASE SET	1		Sus. by P021-001892
1		P021-001892	CRANKCASE SET	1		
2	+	900162-05022	BOLT, H.S. 5*22	4	5*22 W,SW	
3		P021-001900	PISTON KIT	1		
4	+	100011-05731	RING, PISTON	1		
5	+	100013-22330	PIN, PISTON	1		
6	+	100015-04630	CIRCLIP, PISTON PIN	2		
7	+	100014-11520	SPACER, PISTON PIN	2		
8		P021-001920	CRANKSHAFT ASY	1		
9	+	V553-000010	BEARING,NEEDLE 8	1	HK0810	
10	+	900800-36001	BEARING, BALL 6001	2	6001/C3	
11	+	V505-000000	SEAL,OIL	2	12*28*5.5	
12	+	V652-000010	GEAR,WORM	1		
13		A202-000000	BELLOWS,INTAKE	1		Sus. by A202-000001
13		A202-000001	BELLOWS,INTAKE	1		
14		900162-04012	BOLT, H.S. 4*12	2	4*12 W,SW	
15		V358-000020	COLLAR,14	1		
16		P021-003432	COVER ENGINE	1		Sus. by P021-003435
16		P021-003433	COVER ENGINE	1		Sus. by P021-003435
16		P021-003434	COVER ENGINE	1		Sus. by P021-003435
16		P021-003435	COVER ENGINE	1		
17	+	900106-05020	BOLT, H.S. 5*20	2	5*20	Sr/Nr 360015850 and before
17	+	900106-05025	BOLT, H.S. 5*25	2	5*25	Sr/Nr 360015851 and after
18	+	436114-13930	VALVE, CHECK	1		
19	+	900724-00004	O-RING (S-4)	1	S-4	Sr/Nr 36004051 and after
20		A127-000020	COVER,DUST	1		Sus. by A127-000021
20		A127-000021	COVER,DUST	1		
21		900253-04012	SCREW	2	4*12	
22		163911-30130	PLUG	1		
23		C305-000020	PLATE,SPROCKET GUARD	1		Sus. by C305-000022
23		C305-000021	PLATE,SPROCKET GUARD	1		Sus. by C305-000022
23		C305-000022	PLATE,SPROCKET GUARD	1		
25		433026-35430	CATCHER, CHAIN	1		
26		900253-05020	SCREW 5*20	1	5*20	
27		V225-000030	BOLT,STUD 8	1		
28		V202-000011	BOLT,4	2	4*12	
29		900106-05016	BOLT, H.S. 5*16	2	5*16	

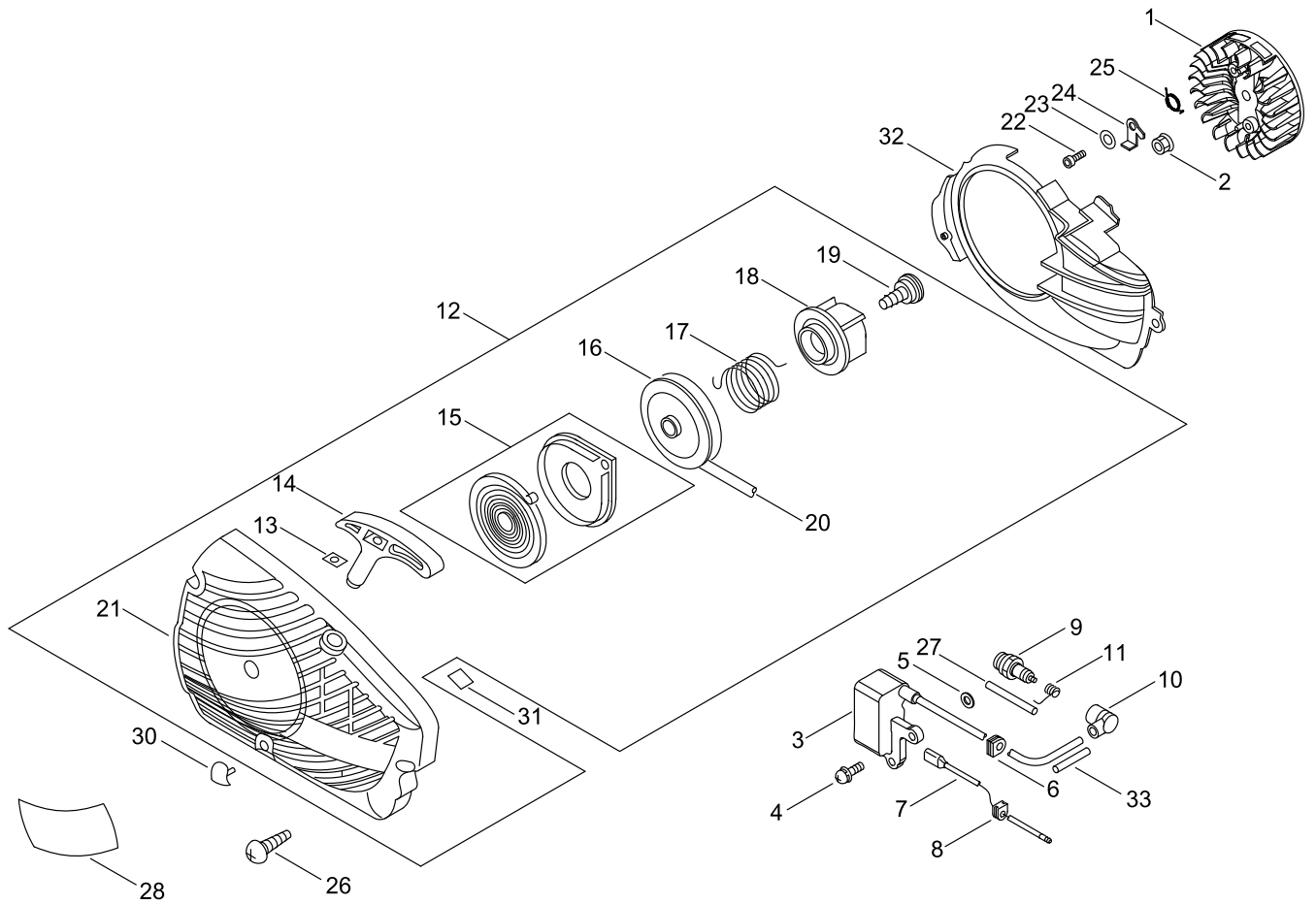
Air Cleaner, Muffler



Air Cleaner, Muffler

KEY NO	LV(+)	Part No	Description	Qty	Standard	Comment
1		P021-001930	MUFFLER ASY	1		
3	+	A300-000130	MUFFLER,EXHAUST	1		
4	+	A303-000000	LID,MUFFLER	1		
5	+	145510-13931	GASKET, MUFFLER	1		
6	+	A301-000000	PLATE,MUFFLER	1		
7	+	91107-05040	BOLT HSH FLANGE	2	5*40	
8		A021-000211	CARBURETOR, DIAPHRAGM	1	WT-584	Sr/Nr 35010651 and before
8		A021-000970	CARBURETOR, DIAPHRAGM	1	WT696	Sus. by A021-000973
8		A021-000972	CARBURETOR, DIAPHRAGM	1		Sus. by A021-000973
8		A021-000973	CARBURETOR, DIAPHRAGM	1	WT696C	Sr/Nr 36001001 and after
9		900238-05050	SCREW 5*50	2	5*50	
10		A225-000020	CASE,CLEANER	1		Sus. by A225-000022
10		A225-000021	CASE,CLEANER	1		Sus. by A225-000022
10		A225-000022	CASE,CLEANER	1		Sr/Nr 36001001 and after
11		129010-33330	GROMMET	1		Sr/Nr 35010651 and before
12		A244-000000	PLATE,PREVENT	1		
13		A226-000050	ELEMENT,AIR FILTER	1		
14		A232-000060	LID,CLEANER	1		Sus. by A232-000061
14		A232-000061	LID,CLEANER	1		
15		A235-000040	KNOB,CLEANER LID	1		
16		X503-004910	LABEL,MODEL	1	CS-2600ES	Sus. by X503-006900
16		X503-004911	LABEL,MODEL	1	CS-2600ES	Sus. by X503-006900
16		X503-006900	LABEL,MODEL	1	CS-2600ES	
17		131925-02310	WASHER,CIRCULAR 8	1		

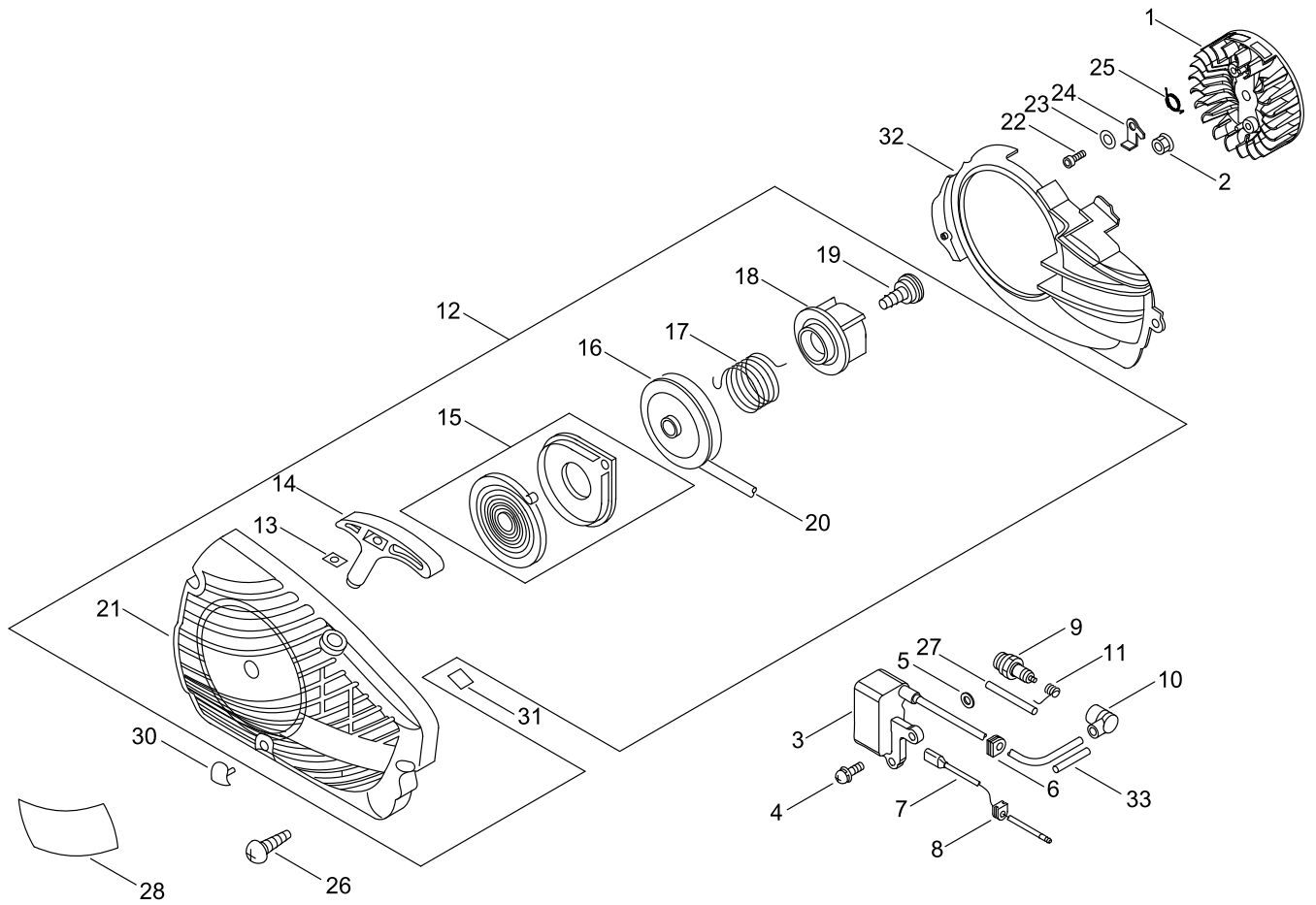
Starter, Magneto(Sr/Nr 36064658 and before)



Starter, Magneto(Sr/Nr 36064658 and before)

KEY NO	LV(+)	Part No	Description	Qty	Standard	Comment
1		A409-000040	ROTOR,MAGNETO	1		
2		900515-00008	NUT, FLANGE 8	1	8	
3		A411-000040	COIL,IGNITION	1		
4		900238-05022	SCREW 5*22	2	5*22	
5		150117-16430	SPACER	2		
6		156110-04920	BUSHING	1		
7		V485-000140	LEAD	1		
8		156114-07320	GROMMET	1		
9		159010-10230	PLUG, SPARK (BPMR-7A	1	BPMR-7A	
10		A427-000010	CAP,SPARK PLUG	1		Sus. by A427-000012
10		A427-000011	CAP,SPARK PLUG	1		Sus. by A427-000012
10		A427-000012	CAP,SPARK PLUG	1		
11		A426-000010	TERMINAL,SPARKPLUG	1		
12		A051-000630	STARTER,RECOIL	1		Sus. by A051-000634
12		A051-000631	STARTER,RECOIL	1		Sus. by A051-000634
12		A051-000632	STARTER,RECOIL	1		Sus. by A051-000634
12		A051-000633	STARTER,RECOIL	1		Sus. by A051-000634
12		A051-000634	STARTER,RECOIL	1		Sus. by A051-000635
13	+	177246-11120	CLIP, STARTER ROPE	1		
14	+	P022-001320	GRIP, STARTER	1		
15	+	P022-001330	SPRING KIT, REWIND	1		
16	+	A506-000080	REEL,ROPE	1		
17	+	V452-000150	SPRING,TORSION	1		
18	+	A507-000020	CATCHER,PAWL	1		Sus. by A507-000021
18	+	P022-022000	CATCHER,PAWL	1		
19	+	177236-61830	SCREW	1		
20	+	P022-006220	ROPE	1		
21	+	A500-000181	CASE,STARTER	1		
22		900105-05016	BOLT, H.S. 5*16	2	5*16	Sus. by V203-000100
22		V203-000100	BOLT,5	2	M5*16	
23		900603-00005	WASHER 5	2	5.5*12*0.8	
24		A514-000020	PAWL	2		
25		V452-000030	SPRING,TORSION	2		
26		900256-04016	SCREW 4*16	3	4*16	
27		V475-001900	TUBE	1	7*8.6*30	
28		X502-000100	LABEL,ECHO	1		Sus. by 890118-49330
28		X502-000130	LABEL,ECHO	1		Sus. by 890118-49330
28		890118-49330	LABEL, ECHO	1		Sus. by X502-000410
30		V162-000150	PLUG	1		

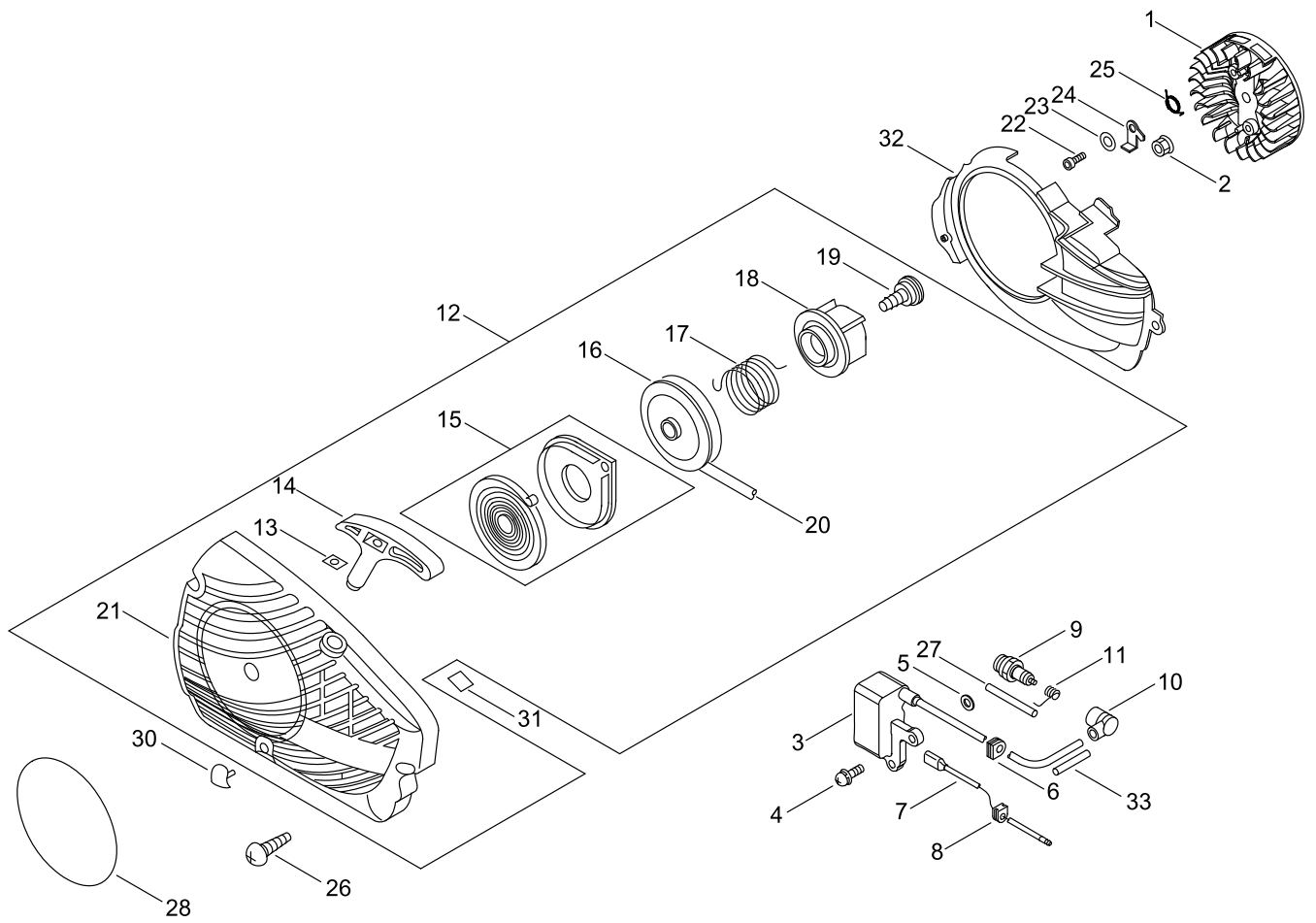
Starter, Magneto(Sr/Nr 36064658 and before)



Starter, Magneto(Sr/Nr 36064658 and before)

KEY NO	LV(+)	Part No	Description	Qty	Standard	Comment
31		890631-38230	LABEL, CAUTION	1		
32		A172-000111	COVER,FAN	1		Sus. by A172-000112
32		A172-000112	COVER,FAN	1		
33		V475-003550	TUBE	1	HST-10 7*8.6*50	Sr/Nr 36006301 and after

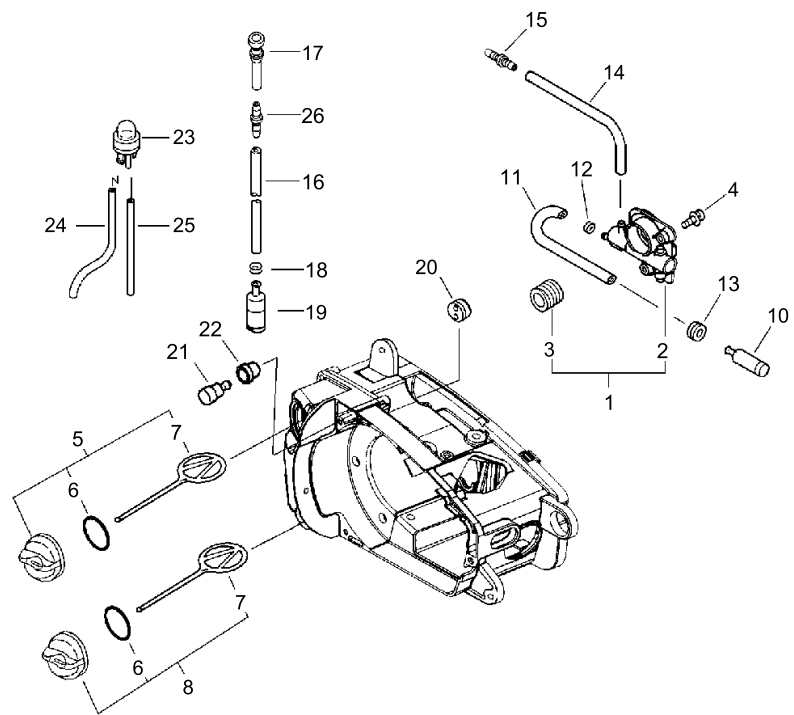
Starter, Magneto(Sr/Nr 36064659 and after)



Starter, Magneto(Sr/Nr 36064659 and after)

KEY NO	LV(+)	Part No	Description	Qty	Standard	Comment
1		A409-000040	ROTOR,MAGNETO	1		
2		900515-00008	NUT, FLANGE 8	1	8	
3		A411-000040	COIL,IGNITION	1		
4		900238-05022	SCREW 5*22	2	5*22	
5		150117-16430	SPACER	2		
6		156110-04920	BUSHING	1		
7		V485-000140	LEAD	1		
8		156114-07320	GROMMET	1		
9		159010-10230	PLUG, SPARK (BPMR-7A	1	BPMR-7A	
10		A427-000012	CAP,SPARK PLUG	1		
11		A426-000010	TERMINAL,SPARKPLUG	1		
12		A051-000634	STARTER,RECOIL	1		Sus. by A051-000635
12		A051-000635	STARTER,RECOIL	1		
13	+	177246-11120	CLIP, STARTER ROPE	1		
14	+	P022-001320	GRIP, STARTER	1		
15	+	P022-001330	SPRING KIT, REWIND	1		
16	+	A506-000080	REEL,ROPE	1		
17	+	V452-000150	SPRING,TORSION	1		
18	+	P022-022000	CATCHER,PAWL	1		
19	+	177236-61830	SCREW	1		
20	+	P022-006220	ROPE	1		
21	+	A500-000181	CASE,STARTER	1		
22		V203-000100	BOLT,5	2	M5*16	
23		900603-00005	WASHER 5	2	5.5*12*0.8	
24		A514-000020	PAWL	2		
25		V452-000030	SPRING,TORSION	2		
26		900256-04016	SCREW 4*16	3	4*16	
27		V475-001900	TUBE	1	7*8.6*30	
28		X502-000410	LABEL,ECHO	1		
30		V162-000150	PLUG	1		
31		890631-38230	LABEL, CAUTION	1		
32		A172-000112	COVER,FAN	1		
33		V475-003550	TUBE	1	HST-10 7*8.6*50	
34		X530-000210	LABEL,EYE CATCHER	1		Disuse

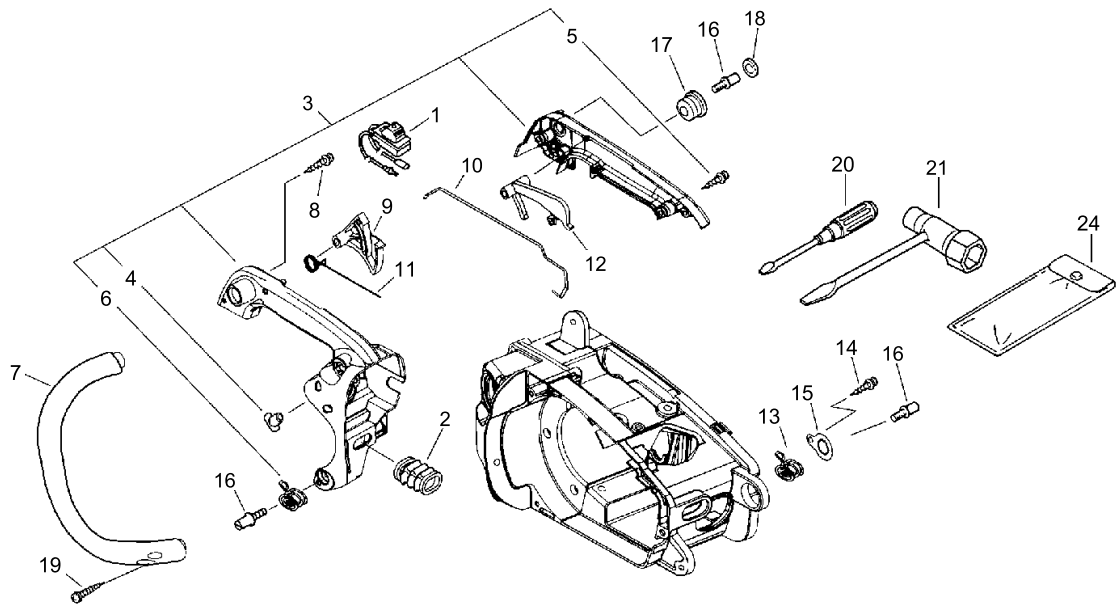
Auto-Oiler



Auto-Oiler

KEY NO	LV(+)	Part No	Description	Qty	Standard	Comment
1		P021-001980	AUTO-OILER ASY	1		
2	+	C022-000000	OILER,ASM AUTO	1		
3	+	V652-000010	GEAR,WORM	1		
4		900238-04012	SCREW 4*12	2	4*12	
5		P021-005590	FUEL CAP ASY	1		Sus. by P021-005591
5		P021-005591	CAP ASY	1		
6	+	900720-00018	O-RING 18	1	P-18	
7	+	131051-19830	LINK	1	60L	Sus. by A365-000050
7	+	A365-000050	CONNECTOR,CAP	1		
8		P021-005580	OIL CAP ASY	1		Sus. by P021-005581
8		P021-005581	OIL CAP ASY	1		
6	+	900720-00018	O-RING 18	1	P-18	
7	+	131051-19830	LINK	1	60L	Sus. by A365-000050
7	+	A365-000050	CONNECTOR,CAP	1		
10		436205-02832	STRAINER, OIL	1		
11		132010-22130	PIPE, FUEL	1	3*6*150L NBR	
12		132013-26630	CLIP	1	6.5MM	
13		132115-01461	GROMMET	1		Sr/Nr 36019120 and before
14		132012-11960	PIPE 3* 6* 45	1	3*6*45 NBR	
15		V187-000010	NIPPLE	1		
16		132010-11520	PIPE, 3*5*210	1	3*5*210 NBR	Sus. by V471-001230
16		V471-001230	PIPE	1	3*5*210 NBR	
17		V470-000320	PIPE	1		
18		132013-09820	CLIP	1	6MM	
19		131205-14930	STRAINER,FUEL	1		
20		132115-44330	GROMMET	1		
21		131300-56430	VALVE, CHECK	1		
22		V137-000000	GROMMET,FUEL	1		
23		123181-39130	PUMP, PRIMER	1		
24		132010-00760	PIPE, FUEL	1	3*5*250L	Sus. by V471-001250
24		V471-001250	PIPE	1	2.4*5*250	
25		V471-000310	PIPE	1		Sus. by V471-001260
25		V471-001260	PIPE	1	2.4*5*150	
26		V186-000020	JOINT,PIPE	1		

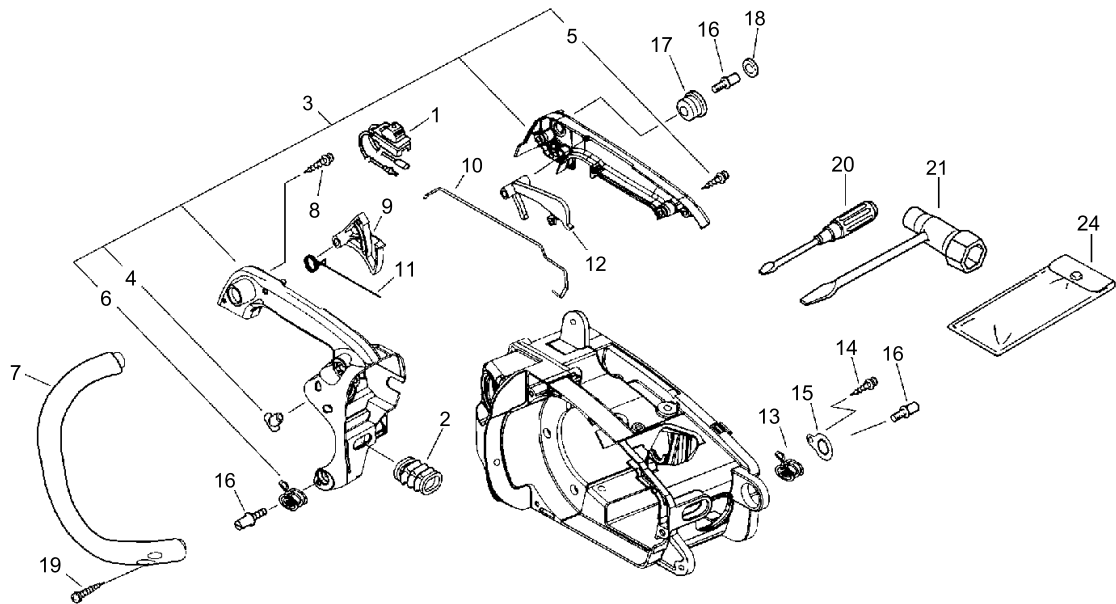
Handle, Tools(Sr/Nr 36069194 and before)



Handle, Tools(Sr/Nr 36069194 and before)

KEY NO	LV(+)	Part No	Description	Qty	Standard	Comment
1		A440-000210	SWITCH,ON OFF	1		Sr/Nr 36069194 and before
2		A239-000000	PIPE,INTAKE	1		
3		P021-001961	HANDLE SET, REAR	1		Sus. by P021-001963
3		P021-001962	HANDLE SET, REAR	1		Sus. by P021-001963
3		P021-001963	HANDLE SET, REAR	1		
4	+	130020-33330	NUT	2		
5	+	900256-04016	SCREW 4*16	4	4*16	
6	+	V450-000340	SPRING,COMPRESSION	1	ES	
7		C400-000050	HANDLE,FRONT	1		
8		900253-05020	SCREW 5*20	1	5*20	
9		C450-000010	TRIGGER,THROTTLE	1		
10		C454-000050	ROD,THROTTLE	1		Sus. by C454-000051
10		C454-000051	ROD,THROTTLE	1		
11		V452-000010	SPRING,TORSION	1		
12		C460-000000	LOCKOUT,THROTTLE	1		Sus. by C460-000002
12		C460-000001	LOCKOUT,THROTTLE	1		Sus. by C460-000002
12		C460-000002	LOCKOUT,THROTTLE	1		
13		V450-000080	SPRING,COMPRESSION	1		
14		900253-04012	SCREW	1	4*12	
15		V150-000420	PLATE,EYE	1		
16		V202-000000	BOLT,4	3		
17		100921-39130	CUSHION	1		
18		100918-15130	CAP	1		
19		900256-04016	SCREW 4*16	2	4*16	
20		895812-03930	DRIVER, SCREW 50	1		
21		895410-02830	WRENCH, W/S. DRIVER	1		
24		898510-39130	BAG, TOOL	1		

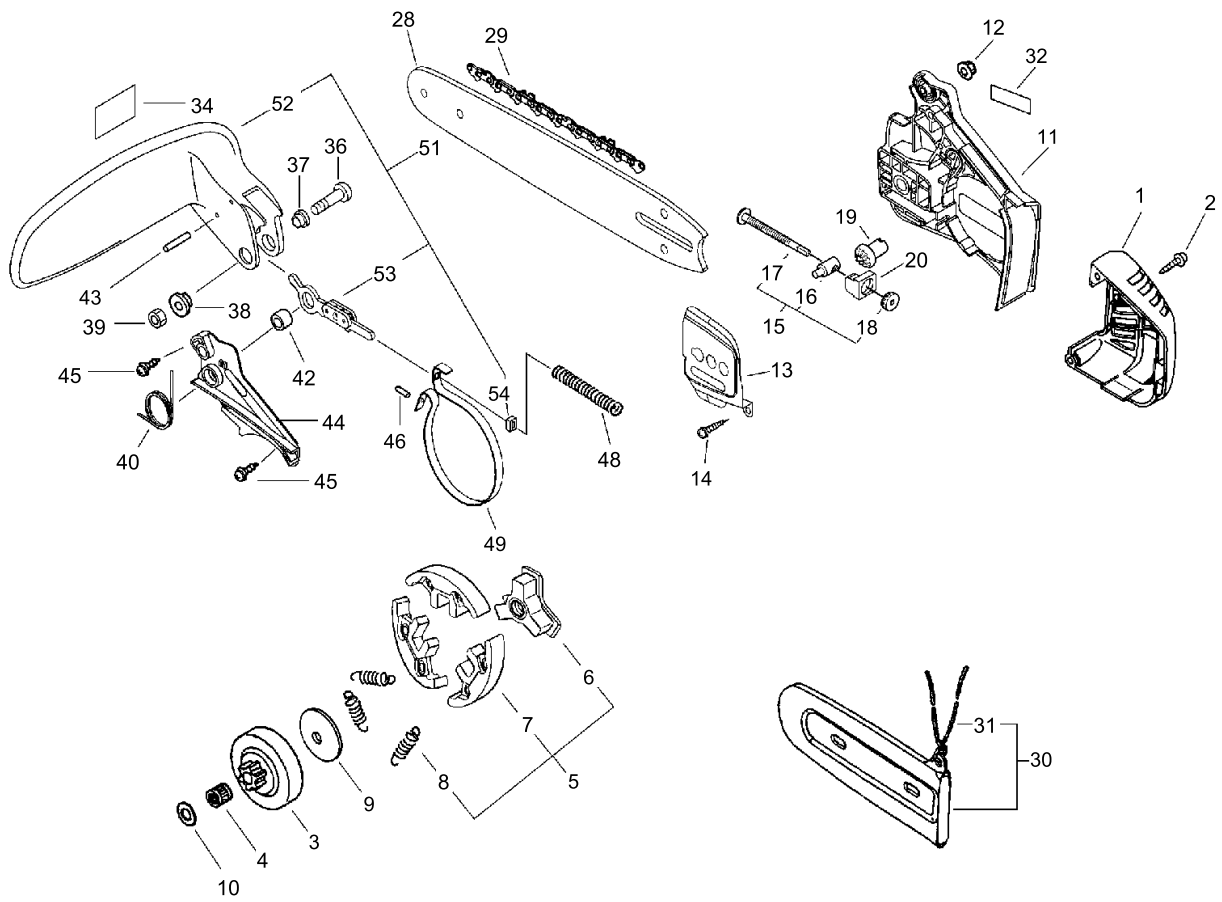
Handle, Tools(Sr/Nr 36069195 and after)



Handle, Tools(Sr/Nr 36069195 and after)

KEY NO	LV(+)	Part No	Description	Qty	Standard	Comment
1		A440-000211	SWITCH,ON OFF	1		
2		A239-000000	PIPE,INTAKE	1		
3		P021-001963	HANDLE SET, REAR	1		
4	+	130020-33330	NUT	2		
5	+	900256-04016	SCREW 4*16	4	4*16	
6	+	V450-000340	SPRING,COMPRESSION	1	ES	
7		C400-000050	HANDLE,FRONT	1		
8		900253-05020	SCREW 5*20	1	5*20	
9		C450-000010	TRIGGER,THROTTLE	1		
10		C454-000051	ROD,THROTTLE	1		
11		V452-000010	SPRING,TORSION	1		
12		C460-000002	LOCKOUT,THROTTLE	1		
13		V450-000080	SPRING,COMPRESSION	1		
14		900253-04012	SCREW	1	4*12	
15		V150-000420	PLATE,EYE	1		
16		V202-000000	BOLT,4	3		
17		100921-39130	CUSHION	1		
18		100918-15130	CAP	1		
19		900256-04016	SCREW 4*16	2	4*16	
20		895812-03930	DRIVER, SCREW 50	1		
21		895410-02830	WRENCH, W/S. DRIVER	1		
24		898510-39130	BAG, TOOL	1		

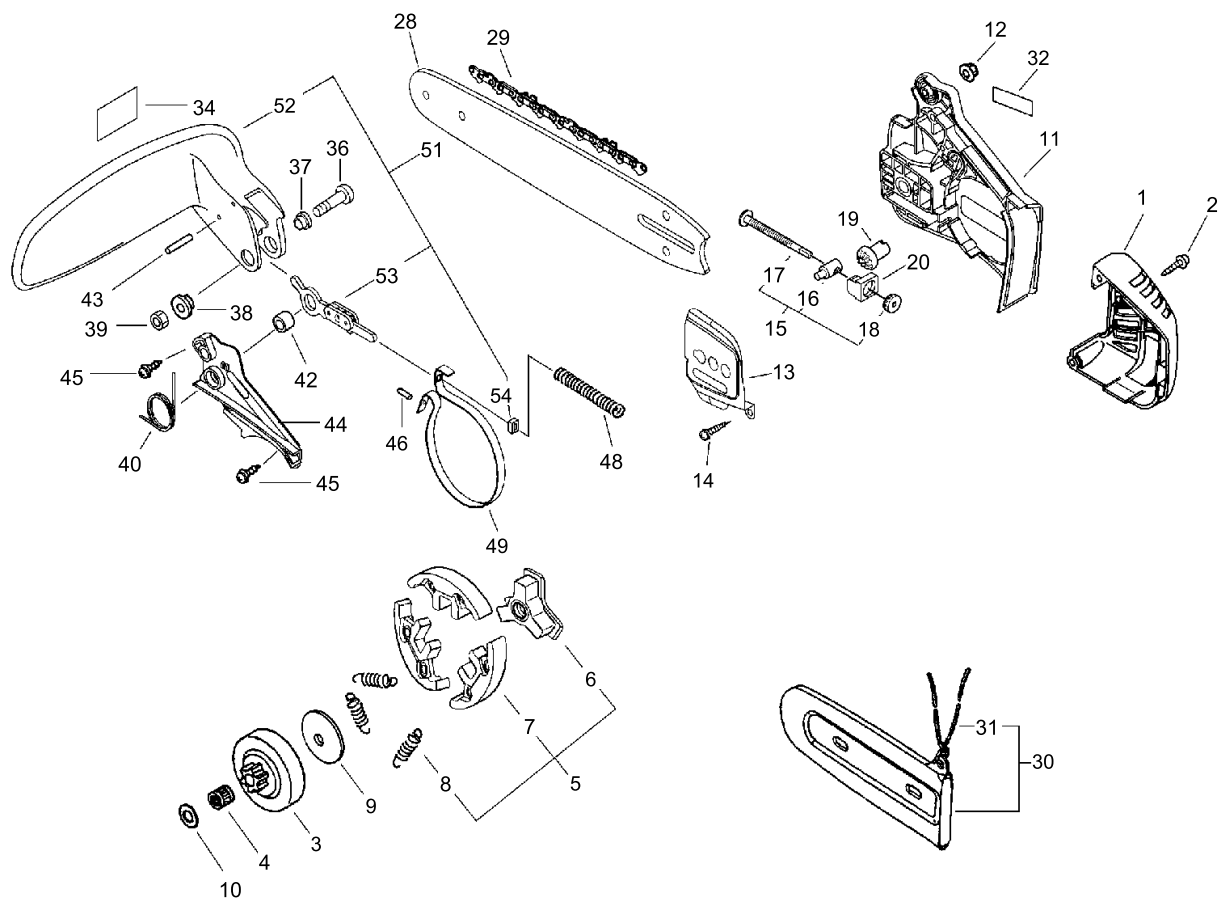
Clutch, Sprocket(Sr/Nr 36064658 and before)



Clutch, Sprocket(Sr/Nr 36064658 and before)

KEY NO	LV(+)	Part No	Description	Qty	Standard	Comment
1		A320-000021	COVER,MUFFLER	1		
2		900253-04016	SCREW 4*16	2	4*16	
3		A556-000091	DRUM,CLUTCH	1	3/8A	3/8A
3		A556-000101	DRUM,CLUTCH	1	1/4A	1/4A
4		175012-35630	BEARING, NEEDLE	1	10*13*10	
5		A056-000030	CLUTCH	1		
6	+	A552-000020	HUB,CLUTCH	1		
7	+	P021-001950	CLUTCH SHOE SET	1		
8	+	V451-000150	SPRING,TENSION	3		
9		A551-000010	PLATE,CLUTCH	1		
10		175014-39130	WASHER, CLUTCH	1	10.2*25*1.2	Sus. by 175014-39131
10		175014-39131	WASHER, CLUTCH	1	10.2*24.5*1.2	
11		C300-000170	GUARD,SPROCKET	1		
12		433019-12330	NUT, FLANGE 8	1	M-8	
13		C305-000031	PLATE,SPROCKET GUARD	1		
14		900253-04010	SCREW 4*10	1	4*10	
15		P021-000063	TENSIONER,CHAIN ASY	1		
16	+	C309-000030	TENSIONER,CHAIN	1		
17	+	V203-000021	BOLT,5	1		
18	+	V651-000011	GEAR,BEVEL	1		
19		V651-000001	GEAR,BEVEL	1		
20		V355-000270	COLLAR,8	1		
28		X121-000000	BAR,GUIDE25RC50S-3/8	1	25RC50S-3/8	Sus. by X121-000002
28		X121-000001	BAR,GUIDE25RC50S-3/8	1	25RC50S-3/8	Sus. by X121-000002
28		X121-000002	BAR,GUIDE25RC50S-3/8	1	25RC50S-3/8	25RC50S-3/8
28		X101-000010	BAR,GUIDE 25C50SL	1	25C50SL ECHO	25C50SL
29		X221-000000	CHAIN,SAW	1	91VG-40E	91VG-40E
29		431610-10030	CHAIN, SAW	1	25AP-60E	25AP-60E
30		P021-002010	CHAIN SCABBARD	1		
31	+	898568-14530	ROPE	1	5*900	
32		X502-000020	LABEL,ECHO	1		Sus. by X502-000340
34		X505-000370	LABEL,CAUTION	1		
36		91318-05032	SCREW	1	5*32	
37		433167-39130	SPACER	1		
38		V353-000060	COLLAR,5	1		
39		900560-00005	NUT, LOCK 5	1	5	Sus. by 900562-50005
39		900562-50005	LOCKNUT 5	1	5	
40		V452-000110	SPRING,TORSION	1		
42		433116-35430	SPACER 8	1	8*12*9	
43		900330-30260	ROLLER 3*26	2	3*26	
44		C345-000110	COVER,BRAKE	1		Sus. by C345-000112
44		C345-000111	COVER,BRAKE	1		Sus. by C345-000112

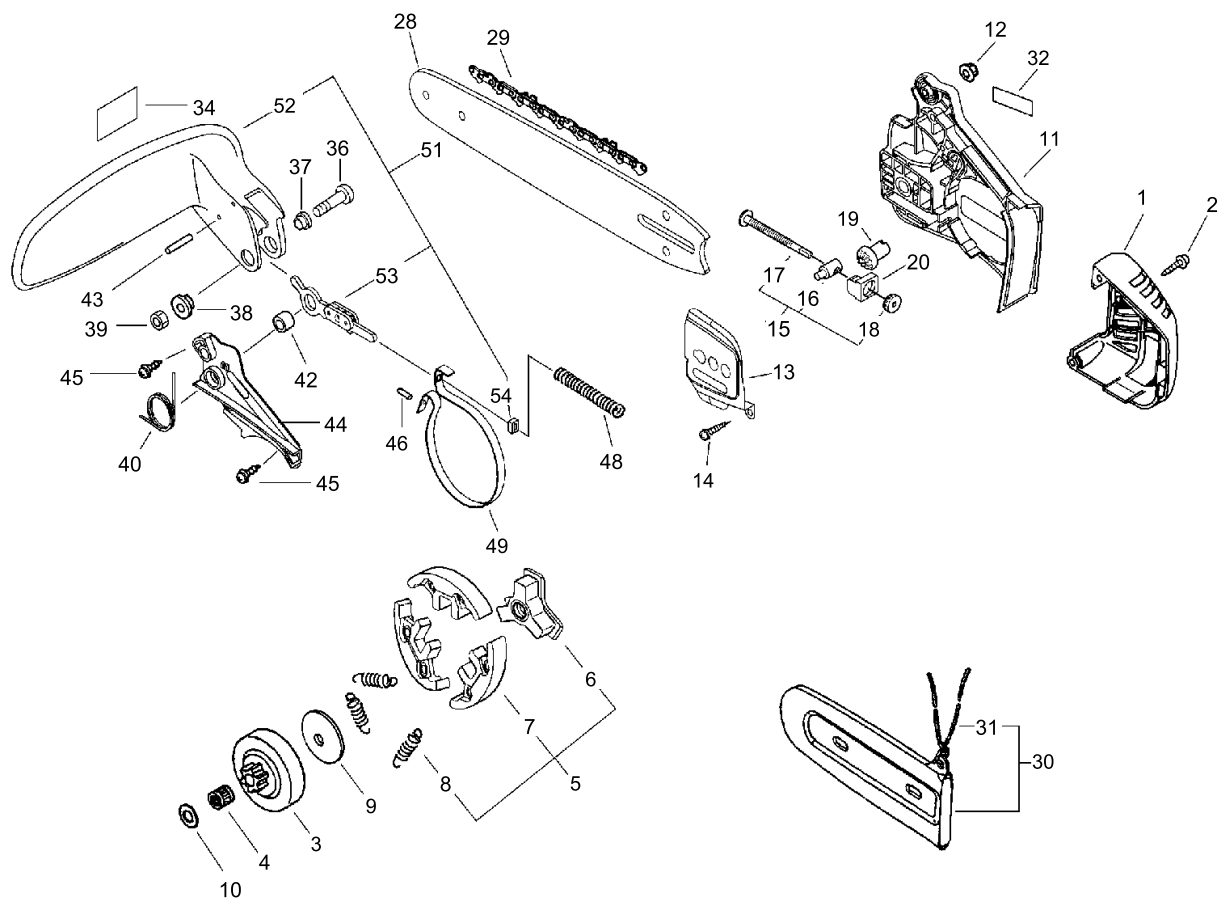
Clutch, Sprocket(Sr/Nr 36064658 and before)



Clutch, Sprocket(Sr/Nr 36064658 and before)

KEY NO	LV(+)	Part No	Description	Qty	Standard	Comment
44		C345-000112	COVER,BRAKE	1		
45		900253-04012	SCREW	2	4*12	
46		93050-30098	ROLLER	1	F3*9.8	
48		V450-000070	SPRING,COMPRESSION	1		
49		C328-000020	BAND,BRAKE	1		
51		P021-007980	BRAKE LEVER KIT	1		Sus. by P021-007982
51		P021-007981	BRAKE LEVER KIT	1		Sus. by P021-007982
51		P021-007982	BRAKE LEVER KIT	1		
52		C320-000030	LEVER,BRAKE	1		Sus. by P021-007981
52	+	C320-000031	LEVER,BRAKE	1		Sus. by C320-000032
52	+	C320-000032	LEVER,BRAKE	1		Sr/Nr 35009689 and after
53		C334-000040	CONNECTOR,BRAKE	1		Sr/Nr 35009688 and before
53	+	C334-000060	CONNECTOR,BRAKE	1		Sus. by C334-000070
53	+	C334-000070	CONNECTOR,BRAKE	1		Sr/Nr 35009689 and after
54	+	V376-000450	SPACER	1		Sr/Nr 35009688 and before
54	+	V376-000540	SPACER	1		Sr/Nr 35009689 to 36004050
54	+	V376-000450	SPACER	1		Sr/Nr 36004051 and after

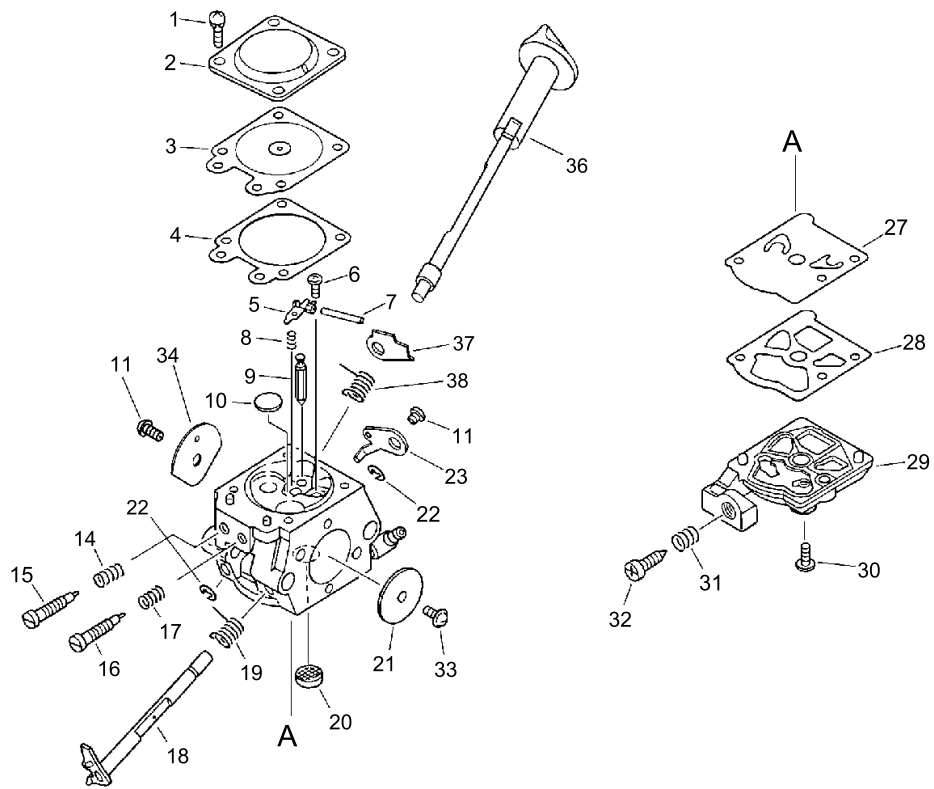
Clutch, Sprocket(Sr/Nr 36064659 and after)



Clutch, Sprocket(Sr/Nr 36064659 and after)

KEY NO	LV(+)	Part No	Description	Qty	Standard	Comment
1		A320-000021	COVER,MUFFLER	1		
2		900253-04016	SCREW 4*16	2	4*16	
3		A556-000091	DRUM,CLUTCH	1	3/8A	3/8A
3		A556-000101	DRUM,CLUTCH	1	1/4A	1/4A
4		175012-35630	BEARING, NEEDLE	1	10*13*10	
5		A056-000030	CLUTCH	1		
6	+	A552-000020	HUB,CLUTCH	1		
7	+	P021-001950	CLUTCH SHOE SET	1		
8	+	V451-000150	SPRING,TENSION	3		
9		A551-000010	PLATE,CLUTCH	1		
10		175014-39131	WASHER, CLUTCH	1	10.2*24.5*1.2	
11		C300-000170	GUARD,SPROCKET	1		
12		433019-12330	NUT, FLANGE 8	1	M-8	
13		C305-000031	PLATE,SPROCKET GUARD	1		
14		900253-04010	SCREW 4*10	1	4*10	
15		P021-000063	TENSIONER,CHAIN ASY	1		
16	+	C309-000030	TENSIONER,CHAIN	1		
17	+	V203-000021	BOLT,5	1		
18	+	V651-000011	GEAR,BEVEL	1		
19		V651-000001	GEAR,BEVEL	1		
20		V355-000270	COLLAR,8	1		
28		X121-000002	BAR,GUIDE25RC50S-3/8	1	25RC50S-3/8	
28		X101-000010	BAR,GUIDE 25C50SL	1	25C50SL ECHO	
29		X221-000000	CHAIN,SAW	1	91VG-40E	91VG-40E
29		431610-10030	CHAIN, SAW	1	25AP-60E	25AP-60E
30		P021-002010	CHAIN SCABBARD	1		
31	+	898568-14530	ROPE	1	5*900	
32		X502-000340	LABEL,ECHO	1	ECHO(WHITE)	
34		X505-000370	LABEL,CAUTION	1		
36		91318-05032	SCREW	1	5*32	
37		433167-39130	SPACER	1		
38		V353-000060	COLLAR,5	1		
39		900562-50005	LOCKNUT 5	1	5	
40		V452-000110	SPRING,TORSION	1		
42		433116-35430	SPACER 8	1	8*12*9	
43		900330-30260	ROLLER 3*26	2	3*26	
44		C345-000112	COVER,BRAKE	1		
45		900253-04012	SCREW	2	4*12	
46		93050-30098	ROLLER	1	F3*9.8	
48		V450-000070	SPRING,COMPRESSION	1		
49		C328-000020	BAND,BRAKE	1		
51		P021-007982	BRAKE LEVER KIT	1		
52	+	C320-000032	LEVER,BRAKE	1		
52	+	C320-000033	LEVER,BRAKE	1		
53	+	C334-000070	CONNECTOR,BRAKE	1		
54	+	V376-000450	SPACER	1		

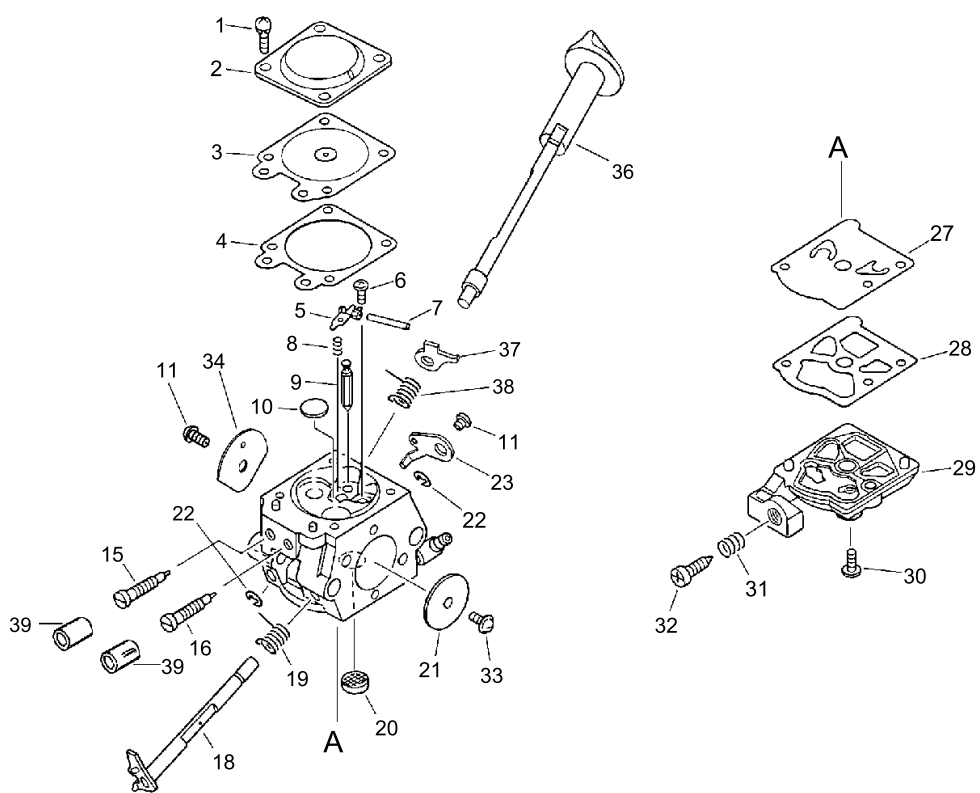
Carburetor(Sr/Nr 35010651 and before)



Carburetor(Sr/Nr 35010651 and before)

KEY NO	LV(+)	Part No	Description	Qty	Standard	Comment
		A021-000211	CARBURETOR, DIAPHRAGM	1	WT-584	
1	+	123130-02960	SCREW	4		
2	+	123142-03930	COVER, M. DIAPHRAGM	1		
3	+	123141-03930	DIAPHRAGM, METERING	1		
4	+	123140-27230	GASKET, M. DIAPHRAGM	1		
5	+	123123-38330	LEVER, METERING	1		
6	+	123139-03930	SCREW, M. LEVER PIN	1		
7	+	123138-03930	PIN, METERING LEVER	1		
8	+	123122-03660	SPRING, METER. LEVER	1		
9	+	123137-19830	VALVE, INLET NEEDLE	1		
10	+	123146-10631	PLUG, WELCH	1		
11	+	123114-38830	SCREW	2		
14	+	123119-22130	SPRING, NEEDLE	1		
15	+	P003-000390	NEEDLE, HIGH SPEED	1		
16	+	123118-38330	NEEDLE, IDLE	1		
17	+	123121-22130	SPRING, NEEDLE	1		
18	+	P003-000370	SHAFT, THROTTLE	1		
19	+	123113-37530	SPRING, THROTTLE RTN	1		
20	+	123126-10631	SCREEN, INLET	1		
21	+	123116-05960	VALVE, THROTTLE	1		
22	+	123127-15030	RING	2		
23	+	P003-000380	THROTTLE, LEVER	1		
27	+	123112-15030	DIAPHRAGM, FUEL PUMP	1		
28	+	123125-15030	GASKET, FUEL PUMP	1		
29	+	123124-24430	COVER, FUEL PUMP	1		
30	+	123110-03930	SCREW, PUMP COVER	1		
31	+	123133-04260	SPRING, IDLE ADJUST	1		
32	+	123134-04260	SCREW, IDLE ADJUST	1		
33	+	123114-05260	SCREW	1		
34	+	P003-000410	VALVE CHOKE	1		
36	+	P003-000400	SHAFT-CHOKE(MOLD)	1		
37	+	P003-000430	LEVER-FAST IDLE	1		
38	+	P003-000420	SPRING	1		

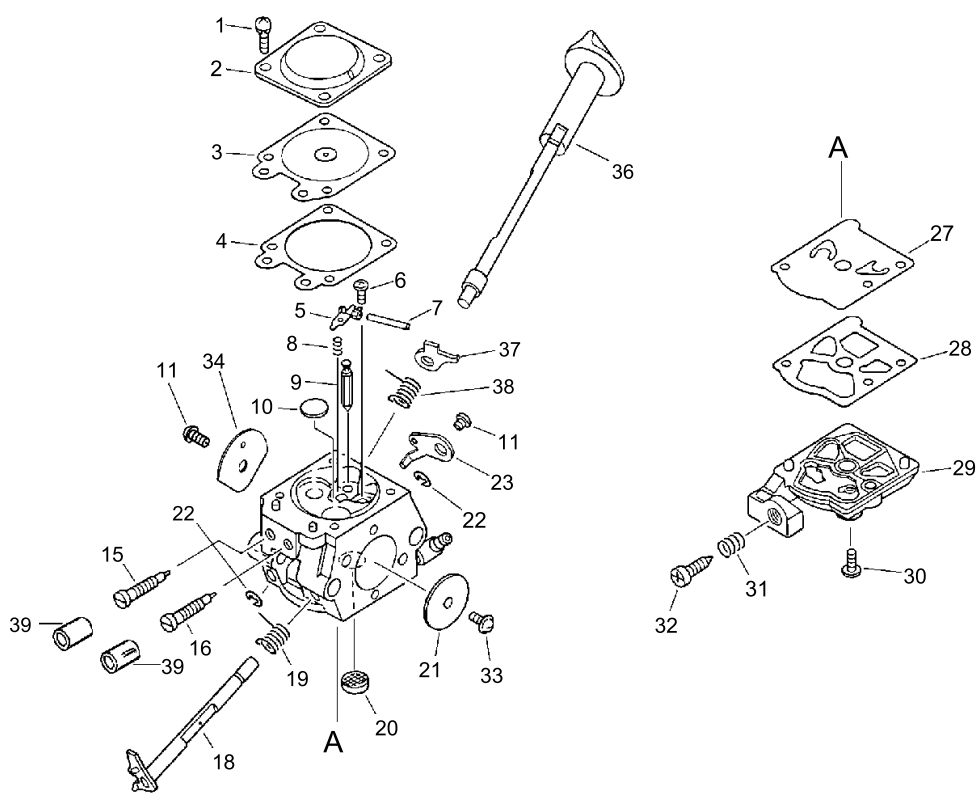
Carburetor(Sr/Nr 36001001 and after)



Carburetor(Sr/Nr 36001001 and after)

KEY NO	LV(+)	Part No	Description	Qty	Standard	Comment
		A021-000970	CARBURETOR, DIAPHRAGM	1	WT696	Sus. by A021-000973
		A021-000972	CARBURETOR, DIAPHRAGM	1		Sus. by A021-000973
		A021-000973	CARBURETOR, DIAPHRAGM	1	WT696C	
1	+	123130-02960	SCREW	4		
2	+	123142-03930	COVER, M. DIAPHRAGM	1		
3	+	123141-03930	DIAPHRAGM, METERING	1		
4	+	123140-27230	GASKET, M. DIAPHRAGM	1		
5	+	123123-38330	LEVER, METERING	1		
6	+	123139-03930	SCREW, M. LEVER PIN	1		
7	+	123138-03930	PIN, METERING LEVER	1		
8	+	123122-03660	SPRING, METER. LEVER	1		
9	+	123137-19830	VALVE, INLET NEEDLE	1		
10	+	123146-10631	PLUG, WELCH	1		
11	+	123114-38830	SCREW	2		
15	+	123118-02261	NEEDLE	1		
16	+	123120-52131	NEEDLE, HIGH SPEED	1		
18	+	P003-001300	SHAFT, THROTTLE	1		
19	+	123113-37530	SPRING, THROTTLE RTN	1		
20	+	123126-10631	SCREEN, INLET	1		
21	+	123116-05960	VALVE, THROTTLE	1		
22	+	123127-15030	RING	2		
23	+	P003-000380	THROTTLE, LEVER	1		
27	+	123112-15030	DIAPHRAGM, FUEL PUMP	1		
28	+	123125-15030	GASKET, FUEL PUMP	1		
29	+	123124-24430	COVER, FUEL PUMP	1		
30	+	123110-03930	SCREW, PUMP COVER	1		
31	+	123133-04260	SPRING, IDLE ADJUST	1		
32	+	123134-04260	SCREW, IDLE ADJUST	1		
33	+	123114-05260	SCREW	1		
34	+	P003-000410	VALVE CHOKE	1		Sr/Nr 36019120 and before
34	+	123132-35430	VALVE, CHOKE	1		Sr/Nr 36019121 and after
36	+	P003-000400	SHAFT-CHOKE(MOLD)	1		
37	+	P003-000430	LEVER-FAST IDLE	1		Sr/Nr 36019120 and before
37	+	P003-001480	LEVER-FAST IDLE	1		Sus. by P003-001510
37	+	P003-001510	LEVER-FAST IDLE	1		Sr/Nr 36019121 and after
38	+	P003-000420	SPRING	1		Sr/Nr 36019120 and before

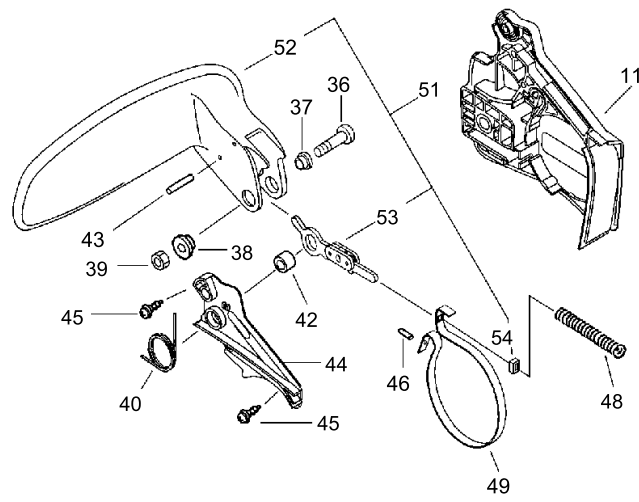
Carburetor(Sr/Nr 36001001 and after)



Carburetor(Sr/Nr 36001001 and after)

KEY NO	LV(+)	Part No	Description	Qty	Standard	Comment
38	+	P003-001470	SPRING	1		Sr/Nr 36019121 and after
39	+	P003-000010	LIMITER CAP	2		

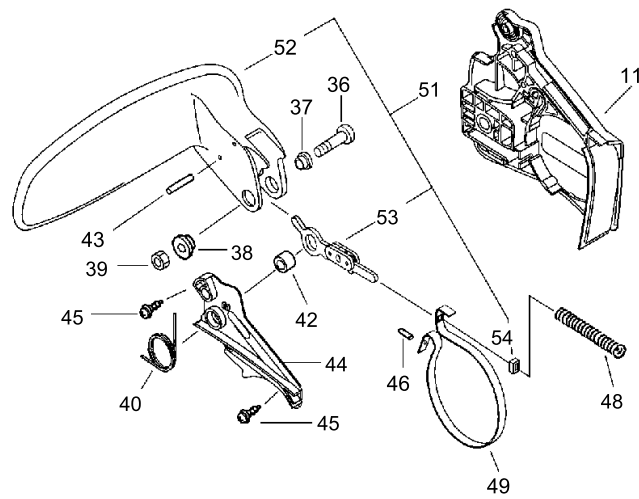
Chain Brake Asy(Sr/Nr 36064658 and before)



Chain Brake Assy(Sr/Nr 36064658 and before)

KEY NO	LV(+)	Part No	Description	Qty	Standard	Comment
		C032-000160	BRAKE,ASM CHAIN	1		Sus. by C032-000165
		C032-000161	BRAKE,ASM CHAIN	1		Sus. by C032-000165
		C032-000162	BRAKE,ASM CHAIN	1		Sus. by C032-000165
		C032-000163	BRAKE,ASM CHAIN	1		Sus. by C032-000165
		C032-000164	BRAKE,ASM CHAIN	1		Sus. by C032-000165
		C032-000165	BRAKE,ASM CHAIN	1		Sus. by C032-000166
11	+	C300-000170	GUARD,SPROCKET	1		
36	+	91318-05032	SCREW	1	5*32	
37	+	433167-39130	SPACER	1		
38	+	V353-000060	COLLAR,5	1		
39	+	900560-00005	NUT, LOCK 5	1	5	Sus. by 900562-50005
39	+	900562-50005	LOCKNUT 5	1	5	
40	+	V452-000110	SPRING,TORSION	1		
42	+	433116-35430	SPACER 8	1	8*12*9	
43	+	900330-30260	ROLLER 3*26	2	3*26	
44	+	C345-000110	COVER,BRAKE	1		Sus. by C345-000112
44	+	C345-000111	COVER,BRAKE	1		Sus. by C345-000112
44	+	C345-000112	COVER,BRAKE	1		
45	+	900253-04012	SCREW	2	4*12	
46	+	93050-30098	ROLLER	1	F3*9.8	
47	+	V376-000450	SPACER	1		
48	+	V450-000070	SPRING,COMPRESSION	1		
49	+	C328-000020	BAND,BRAKE	1		
51	+	P021-007980	BRAKE LEVER KIT	1		Sus. by P021-007982
51	+	P021-007981	BRAKE LEVER KIT	1		Sus. by P021-007982
51	+	P021-007982	BRAKE LEVER KIT	1		
52	+	C320-000030	LEVER,BRAKE	1		Sus. by P021-007981
52	++	C320-000031	LEVER,BRAKE	1		Sus. by C320-000032
52	++	C320-000032	LEVER,BRAKE	1		Sr/Nr 35009689 and after
53	+	C334-000040	CONNECTOR,BRAKE	1		Sr/Nr 35009688 and before
53	++	C334-000060	CONNECTOR,BRAKE	1		Sus. by C334-000070
53	++	C334-000070	CONNECTOR,BRAKE	1		Sr/Nr 35009689 and after

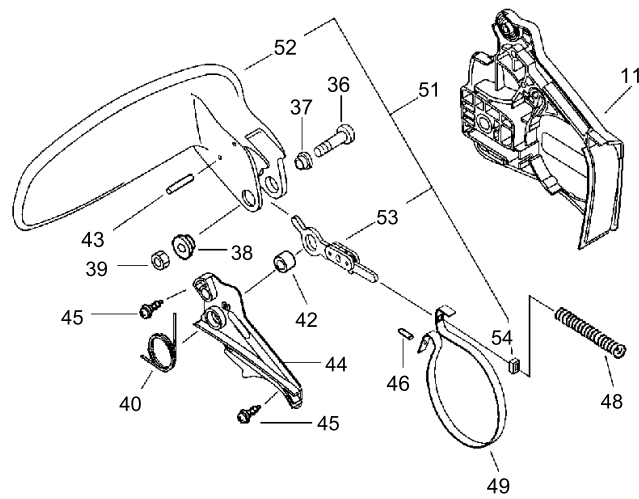
Chain Brake Asy(Sr/Nr 36064658 and before)



Chain Brake Asy(Sr/Nr 36064658 and before)

KEY NO	LV(+)	Part No	Description	Qty	Standard	Comment
54	+	V376-000450	SPACER	1		Sr/Nr 35009688 and before
54	++	V376-000540	SPACER	1		Sr/Nr 35009689 to 36004050
54	++	V376-000450	SPACER	1		Sr/Nr 36004051 and after

Chain Brake Asy(Sr/Nr 36064659 and after)



Chain Brake Assy(Sr/Nr 36064659 and after)

KEY NO	LV(+)	Part No	Description	Qty	Standard	Comment
		C032-000165	BRAKE,ASM CHAIN	1		Sus. by C032-000166
		C032-000166	BRAKE,ASM CHAIN	1		
11	+	C300-000170	GUARD,SPROCKET	1		
36	+	91318-05032	SCREW	1	5*32	
37	+	433167-39130	SPACER	1		
38	+	V353-000060	COLLAR,5	1		
39	+	900562-50005	LOCKNUT 5	1	5	
40	+	V452-000110	SPRING,TORSION	1		
42	+	433116-35430	SPACER 8	1	8*12*9	
43	+	900330-30260	ROLLER 3*26	2	3*26	
44	+	C345-000112	COVER,BRAKE	1		
45	+	900253-04012	SCREW	2	4*12	
46	+	93050-30098	ROLLER	1	F3*9.8	
48	+	V450-000070	SPRING,COMPRESSION	1		
49	+	C328-000020	BAND,BRAKE	1		
51	+	P021-007982	BRAKE LEVER KIT	1		
52	++	C320-000032	LEVER,BRAKE	1		
52	++	C320-000033	LEVER,BRAKE	1		
53	++	C334-000070	CONNECTOR,BRAKE	1		
54	++	V376-000450	SPACER	1		

NUMERICAL PARTS INDEX

Part No	Part description	Page	Part No	Part description	Page	Part No	Part description	Page
100011-05731	RING, PISTON	2	123137-19830	VALVE, INLET NEEDLE	26	177236-61830	SCREW	10
100013-22330	PIN, PISTON	2	123138-03930	PIN, METERING LEVER	24	177246-11120	CLIP, STARTER ROPE	6
100014-11520	SPACER, PISTON PIN	2	123138-03930	PIN, METERING LEVER	26	177246-11120	CLIP, STARTER ROPE	10
100015-04630	CIRCLIP, PISTON PIN	2	123139-03930	SCREW, M. LEVER PIN	24	431610-10030	CHAIN, SAW	18
100918-15130	CAP	14	123139-03930	SCREW, M. LEVER PIN	26	431610-10030	CHAIN, SAW	22
100918-15130	CAP	16	123140-27230	GASKET,M. DIAPHRAGM	24	433019-12330	NUT, FLANGE 8	18
100921-39130	CUSHION	14	123140-27230	GASKET,M. DIAPHRAGM	26	433019-12330	NUT, FLANGE 8	22
100921-39130	CUSHION	16	123141-03930	DIAPHRAGM, METERING	24	433026-35430	CATCHER, CHAIN	2
123110-03930	SCREW, PUMP COVER	24	123141-03930	DIAPHRAGM, METERING	26	433116-35430	SPACER 8	18
123110-03930	SCREW, PUMP COVER	26	123142-03930	COVER, M. DIAPHRAGM	24	433116-35430	SPACER 8	22
123112-15030	DIAPHRAGM, FUEL PUMP	24	123142-03930	COVER, M. DIAPHRAGM	26	433116-35430	SPACER 8	30
123112-15030	DIAPHRAGM, FUEL PUMP	26	123146-10631	PLUG, WELCH	24	433116-35430	SPACER 8	34
123113-37530	SPRING, THROTTLE RTN	24	123146-10631	PLUG, WELCH	26	433167-39130	SPACER	18
123113-37530	SPRING, THROTTLE RTN	26	123181-39130	PUMP, PRIMER	12	433167-39130	SPACER	22
123114-05260	SCREW	24	129010-33330	GROMMET	4	433167-39130	SPACER	30
123114-05260	SCREW	26	130020-33330	NUT	14	433167-39130	SPACER	34
123114-38830	SCREW	24	130020-33330	NUT	16	436114-13930	VALVE, CHECK	2
123114-38830	SCREW	26	131051-19830	LINK	12	436205-02832	STRAINER, OIL	12
123116-05960	VALVE, THROTTLE	24	131205-14930	STRAINER,FUEL	12	890118-49330	LABEL, ECHO	6
123116-05960	VALVE, THROTTLE	26	131300-56430	VALVE, CHECK	12	890631-38230	LABEL, CAUTION	8
123118-02261	NEEDLE	26	131925-02310	WASHER,CIRCULAR 8	4	890631-38230	LABEL, CAUTION	10
123118-38330	NEEDLE, IDLE	24	132010-00760	PIPE, FUEL	12	895410-02830	WRENCH, W/S. DRIVER	14
123119-22130	SPRING, NEEDLE	24	132010-11520	PIPE, 3*5*210	12	895410-02830	WRENCH, W/S. DRIVER	16
123120-52131	NEEDLE, HIGH SPEED	26	132010-22130	PIPE, FUEL	12	895812-03930	DRIVER, SCREW 50	14
123121-22130	SPRING, NEEDLE	24	132012-11960	PIPE 3* 6* 45	12	895812-03930	DRIVER, SCREW 50	16
123122-03660	SPRING, METER. LEVER	24	132013-09820	CLIP	12	898510-39130	BAG, TOOL	14
123122-03660	SPRING, METER. LEVER	26	132013-26630	CLIP	12	898510-39130	BAG, TOOL	16
123123-38330	LEVER, METERING	24	132115-01461	GROMMET	12	898568-14530	ROPE	18
123123-38330	LEVER, METERING	26	132115-44330	GROMMET	12	898568-14530	ROPE	22
123124-24430	COVER, FUEL PUMP	24	145510-13931	GASKET, MUFFLER	4	900105-05016	BOLT, H.S. 5*16	6
123124-24430	COVER, FUEL PUMP	26	150117-16430	SPACER	6	900106-05016	BOLT, H.S. 5*16	2
123125-15030	GASKET, FUEL PUMP	24	150117-16430	SPACER	10	900106-05020	BOLT, H.S. 5*20	2
123125-15030	GASKET, FUEL PUMP	26	156110-04920	BUSHING	6	900106-05025	BOLT, H.S. 5*25	2
123126-10631	SCREEN, INLET	24	156110-04920	BUSHING	10	900162-04012	BOLT, H.S. 4*12	2
123126-10631	SCREEN, INLET	26	156114-07320	GROMMET	6	900162-05022	BOLT, H.S. 5*22	2
123127-15030	RING	24	156114-07320	GROMMET	10	900238-04012	SCREW 4*12	12
123127-15030	RING	26	159010-10230	PLUG, SPARK (BPMR-7A	6	900238-05022	SCREW 5*22	6
123130-02960	SCREW	24	159010-10230	PLUG, SPARK (BPMR-7A	10	900238-05022	SCREW 5*22	10
123130-02960	SCREW	26	163911-30130	PLUG	2	900238-05050	SCREW 5*50	4
123132-35430	VALVE, CHOKE	26	175012-35630	BEARING, NEEDLE	18	900253-04010	SCREW 4*10	18
123133-04260	SPRING, IDLE ADJUST	24	175012-35630	BEARING, NEEDLE	22	900253-04010	SCREW 4*10	22
123133-04260	SPRING, IDLE ADJUST	26	175014-39130	WASHER, CLUTCH	18	900253-04012	SCREW	2
123134-04260	SCREW, IDLE ADJUST	24	175014-39131	WASHER, CLUTCH	18	900253-04012	SCREW	14
123134-04260	SCREW, IDLE ADJUST	26	175014-39131	WASHER, CLUTCH	22	900253-04012	SCREW	16
123137-19830	VALVE, INLET NEEDLE	24	177236-61830	SCREW	6	900253-04012	SCREW	20

NUMERICAL PARTS INDEX

Part No	Part description	Page	Part No	Part description	Page	Part No	Part description	Page
900253-04012	SCREW	22	A021-000972	CARBURETOR, DIAPHRAGM	26	A427-000012	CAP,SPARK PLUG	10
900253-04012	SCREW	30	A021-000973	CARBURETOR, DIAPHRAGM	4	A440-000210	SWITCH,ON OFF	14
900253-04012	SCREW	34				A440-000211	SWITCH,ON OFF	16
900253-04016	SCREW 4*16	18	A021-000973	CARBURETOR, DIAPHRAGM	26	A500-000181	CASE,STARTER	6
900253-04016	SCREW 4*16	22	A051-000630	STARTER,RECOIL	6	A500-000181	CASE,STARTER	10
900253-05020	SCREW 5*20	2				A051-000631	STARTER,RECOIL	6
900253-05020	SCREW 5*20	14	A051-000632	STARTER,RECOIL	6	A506-000080	REEL,ROPE	6
900253-05020	SCREW 5*20	16	A051-000633	STARTER,RECOIL	6	A506-000080	REEL,ROPE	10
900256-04016	SCREW 4*16	6	A051-000634	STARTER,RECOIL	6	A507-000020	CATCHER,PAWL	6
900256-04016	SCREW 4*16	10	A051-000634	STARTER,RECOIL	6	A514-000020	PAWL	6
900256-04016	SCREW 4*16	14	A051-000634	STARTER,RECOIL	10	A514-000020	PAWL	10
900256-04016	SCREW 4*16	16	A051-000635	STARTER,RECOIL	10	A551-000010	PLATE,CLUTCH	18
900330-30260	ROLLER 3*26	18	A056-000030	CLUTCH	18	A551-000010	PLATE,CLUTCH	22
900330-30260	ROLLER 3*26	22	A056-000030	CLUTCH	22	A552-000020	HUB,CLUTCH	18
900330-30260	ROLLER 3*26	30	A127-000020	COVER,DUST	2	A552-000020	HUB,CLUTCH	22
900330-30260	ROLLER 3*26	34	A127-000021	COVER,DUST	2	A556-000091	DRUM,CLUTCH	18
900515-00008	NUT, FLANGE 8	6	A172-000111	COVER,FAN	8	A556-000091	DRUM,CLUTCH	22
900515-00008	NUT, FLANGE 8	10	A172-000112	COVER,FAN	8	A556-000101	DRUM,CLUTCH	18
900560-00005	NUT, LOCK 5	18	A172-000112	COVER,FAN	10	A556-000101	DRUM,CLUTCH	22
900560-00005	NUT, LOCK 5	30	A202-000000	BELLOWS,INTAKE	2	C022-000000	OILER,ASM AUTO	12
900562-50005	LOCKNUT 5	18	A202-000001	BELLOWS,INTAKE	2	C032-000160	BRAKE,ASM CHAIN	30
900562-50005	LOCKNUT 5	22	A225-000020	CASE,CLEANER	4	C032-000161	BRAKE,ASM CHAIN	30
900562-50005	LOCKNUT 5	30	A225-000021	CASE,CLEANER	4	C032-000162	BRAKE,ASM CHAIN	30
900562-50005	LOCKNUT 5	34	A225-000022	CASE,CLEANER	4	C032-000163	BRAKE,ASM CHAIN	30
900603-00005	WASHER 5	6	A226-000050	ELEMENT,AIR FILTER	4	C032-000164	BRAKE,ASM CHAIN	30
900603-00005	WASHER 5	10	A232-000060	LID,CLEANER	4	C032-000165	BRAKE,ASM CHAIN	30
900720-00018	O-RING 18	12	A232-000061	LID,CLEANER	4	C032-000165	BRAKE,ASM CHAIN	34
900724-00004	O-RING (S-4)	2	A235-000040	KNOB,CLEANER LID	4	C032-000166	BRAKE,ASM CHAIN	34
900800-36001	BEARING, BALL 6001	2	A239-000000	PIPE,INTAKE	14	C300-000170	GUARD,SPROCKET	18
91107-05040	BOLT HSH FLANGE	4	A239-000000	PIPE,INTAKE	16	C300-000170	GUARD,SPROCKET	22
91318-05032	SCREW	18	A244-000000	PLATE,PREVENT	4	C300-000170	GUARD,SPROCKET	30
91318-05032	SCREW	22	A300-000130	MUFFLER,EXHAUST	4	C300-000170	GUARD,SPROCKET	34
91318-05032	SCREW	30	A301-000000	PLATE,MUFFLER	4	C305-000020	PLATE,SPROCKET GUARD	2
91318-05032	SCREW	34	A303-000000	LID,MUFFLER	4	C305-000021	PLATE,SPROCKET GUARD	2
93050-30098	ROLLER	20	A320-000021	COVER,MUFFLER	18	C305-000022	PLATE,SPROCKET GUARD	2
93050-30098	ROLLER	22	A320-000021	COVER,MUFFLER	22	C305-000031	PLATE,SPROCKET GUARD	18
93050-30098	ROLLER	30	A365-000050	CONNECTOR,CAP	12		C305-000031	PLATE,SPROCKET GUARD
93050-30098	ROLLER	34	A409-000040	ROTOR,MAGNETO	6	C309-000030	TENSIONER,CHAIN	18
A021-000211	CARBURETOR, DIAPHRAGM	4	A409-000040	ROTOR,MAGNETO	10	C309-000030	TENSIONER,CHAIN	22
A021-000211	CARBURETOR, DIAPHRAGM	24	A411-000040	COIL,IGNITION	6	C320-000030	LEVER,BRAKE	20
A021-000970	CARBURETOR, DIAPHRAGM	4	A411-000040	COIL,IGNITION	10	C320-000030	LEVER,BRAKE	30
A021-000970	CARBURETOR, DIAPHRAGM	26	A426-000010	TERMINAL,SPARKPLUG	6	C320-000031	LEVER,BRAKE	20
A021-000972	CARBURETOR, DIAPHRAGM	4	A426-000010	TERMINAL,SPARKPLUG	10	C320-000031	LEVER,BRAKE	30
			A427-000010	CAP,SPARK PLUG	6	C320-000031	LEVER,BRAKE	20
			A427-000011	CAP,SPARK PLUG	6	C320-000031	LEVER,BRAKE	30
			A427-000012	CAP,SPARK PLUG	6	C320-000032	LEVER,BRAKE	20

NUMERICAL PARTS INDEX

Part No	Part description	Page	Part No	Part description	Page	Part No	Part description	Page
C320-000032	LEVER,BRAKE	22	P003-000420	SPRING	24	P022-006220	ROPE	10
C320-000032	LEVER,BRAKE	30	P003-000420	SPRING	26	P022-022000	CATCHER,PAWL	6
C320-000032	LEVER,BRAKE	34	P003-000430	LEVER-FAST IDLE	24	P022-022000	CATCHER,PAWL	10
C320-000033	LEVER,BRAKE	22	P003-000430	LEVER-FAST IDLE	26	V137-000000	GROMMET,FUEL	12
C320-000033	LEVER,BRAKE	34	P003-001300	SHAFT, THROTTLE	26	V150-000420	PLATE,EYE	14
C328-000020	BAND,BRAKE	20	P003-001470	SPRING	28	V150-000420	PLATE,EYE	16
C328-000020	BAND,BRAKE	22	P003-001480	LEVER-FAST IDLE	26	V162-000150	PLUG	6
C328-000020	BAND,BRAKE	30	P003-001510	LEVER-FAST IDLE	26	V162-000150	PLUG	10
C328-000020	BAND,BRAKE	34	P021-000063	TENSIONER,CHAIN ASY	18	V186-000020	JOINT,PIPE	12
C334-000040	CONNECTOR,BRAKE	20	P021-000063	TENSIONER,CHAIN ASY	22	V187-000010	NIPPLE	12
C334-000040	CONNECTOR,BRAKE	30	P021-001891	CRANKCASE SET	2	V202-000000	BOLT,4	14
C334-000060	CONNECTOR,BRAKE	20	P021-001892	CRANKCASE SET	2	V202-000000	BOLT,4	16
C334-000060	CONNECTOR,BRAKE	30	P021-001900	PISTON KIT	2	V202-000011	BOLT,4	2
C334-000070	CONNECTOR,BRAKE	20	P021-001920	CRANKSHAFT ASY	2	V203-000021	BOLT,5	18
C334-000070	CONNECTOR,BRAKE	22	P021-001930	MUFFLER ASY	4	V203-000021	BOLT,5	22
C334-000070	CONNECTOR,BRAKE	30	P021-001950	CLUTCH SHOE SET	18	V203-000100	BOLT,5	6
C334-000070	CONNECTOR,BRAKE	34	P021-001950	CLUTCH SHOE SET	22	V203-000100	BOLT,5	10
C345-000110	COVER,BRAKE	18	P021-001961	HANDLE SET, REAR	14	V225-000030	BOLT,STUD 8	2
C345-000110	COVER,BRAKE	30	P021-001962	HANDLE SET, REAR	14	V353-000060	COLLAR,5	18
C345-000111	COVER,BRAKE	18	P021-001963	HANDLE SET, REAR	14	V353-000060	COLLAR,5	22
C345-000111	COVER,BRAKE	30	P021-001963	HANDLE SET, REAR	16	V353-000060	COLLAR,5	30
C345-000112	COVER,BRAKE	20	P021-001980	AUTO-OILER ASY	12	V353-000060	COLLAR,5	34
C345-000112	COVER,BRAKE	22	P021-002010	CHAIN SCABBARD	18	V355-000270	COLLAR,8	18
C345-000112	COVER,BRAKE	30	P021-002010	CHAIN SCABBARD	22	V355-000270	COLLAR,8	22
C345-000112	COVER,BRAKE	34	P021-003432	COVER ENGINE	2	V358-000020	COLLAR,14	2
C400-000050	HANDLE,FRONT	14	P021-003433	COVER ENGINE	2	V376-000450	SPACER	20
C400-000050	HANDLE,FRONT	16	P021-003434	COVER ENGINE	2	V376-000450	SPACER	22
C450-000010	TRIGGER,THROTTLE	14	P021-003435	COVER ENGINE	2	V376-000450	SPACER	30
C450-000010	TRIGGER,THROTTLE	16	P021-005580	OIL CAP ASY	12	V376-000450	SPACER	32
C454-000050	ROD,THROTTLE	14	P021-005581	OIL CAP ASY	12	V376-000450	SPACER	34
C454-000051	ROD,THROTTLE	14	P021-005590	FUEL CAP ASY	12	V376-000540	SPACER	20
C454-000051	ROD,THROTTLE	16	P021-005591	CAP ASY	12	V376-000540	SPACER	32
C460-000000	LOCKOUT,THROTTLE	14	P021-007980	BRAKE LEVER KIT	20	V450-000070	SPRING,COMPRESSION	20
C460-000001	LOCKOUT,THROTTLE	14	P021-007980	BRAKE LEVER KIT	30	V450-000070	SPRING,COMPRESSION	22
C460-000002	LOCKOUT,THROTTLE	14	P021-007981	BRAKE LEVER KIT	20	V450-000070	SPRING,COMPRESSION	30
C460-000002	LOCKOUT,THROTTLE	16	P021-007981	BRAKE LEVER KIT	30	V450-000070	SPRING,COMPRESSION	34
P003-000010	LIMITER CAP	28	P021-007982	BRAKE LEVER KIT	20	V450-000080	SPRING,COMPRESSION	14
P003-000370	SHAFT, THROTTLE	24	P021-007982	BRAKE LEVER KIT	22	V450-000080	SPRING,COMPRESSION	16
P003-000380	THROTTLE, LEVER	24	P021-007982	BRAKE LEVER KIT	30	V450-000340	SPRING,COMPRESSION	14
P003-000380	THROTTLE, LEVER	26	P021-007982	BRAKE LEVER KIT	34	V450-000340	SPRING,COMPRESSION	16
P003-000390	NEEDLE, HIGH SPEED	24	P022-001320	GRIP, STARTER	6	V451-000150	SPRING,TENSION	18
P003-000400	SHAFT-CHOKE(MOLD)	24	P022-001320	GRIP, STARTER	10	V451-000150	SPRING,TENSION	22
P003-000400	SHAFT-CHOKE(MOLD)	26	P022-001330	SPRING KIT, REWIND	6	V452-000010	SPRING,TORSION	14
P003-000410	VALVE CHOKE	24	P022-001330	SPRING KIT, REWIND	10	V452-000010	SPRING,TORSION	16
P003-000410	VALVE CHOKE	26	P022-006220	ROPE	6	V452-000030	SPRING,TORSION	6

NUMERICAL PARTS INDEX

Part No	Part description	Page
V452-000030	SPRING,TORSION	10
V452-000110	SPRING,TORSION	18
V452-000110	SPRING,TORSION	22
V452-000110	SPRING,TORSION	30
V452-000110	SPRING,TORSION	34
V452-000150	SPRING,TORSION	6
V452-000150	SPRING,TORSION	10
V470-000320	PIPE	12
V471-000310	PIPE	12
V471-001230	PIPE	12
V471-001250	PIPE	12
V471-001260	PIPE	12
V475-001900	TUBE	6
V475-001900	TUBE	10
V475-003550	TUBE	8
V475-003550	TUBE	10
V485-000140	LEAD	6
V485-000140	LEAD	10
V505-000000	SEAL,OIL	2
V553-000010	BEARING,NEEDLE 8	2
V651-000001	GEAR,BEVEL	18
V651-000001	GEAR,BEVEL	22
V651-000011	GEAR,BEVEL	18
V651-000011	GEAR,BEVEL	22
V652-000010	GEAR,WORM	2
V652-000010	GEAR,WORM	12
X101-000010	BAR,GUIDE 25C50SL	18
X101-000010	BAR,GUIDE 25C50SL	22
X121-000000	BAR,GUIDE25RC50S-3/8	18
X121-000001	BAR,GUIDE25RC50S-3/8	18
X121-000002	BAR,GUIDE25RC50S-3/8	18
X121-000002	BAR,GUIDE25RC50S-3/8	22
X221-000000	CHAIN,SAW	18
X221-000000	CHAIN,SAW	22
X502-000020	LABEL,ECHO	18
X502-000100	LABEL,ECHO	6
X502-000130	LABEL,ECHO	6
X502-000340	LABEL,ECHO	22
X502-000410	LABEL,ECHO	10
X503-004910	LABEL,MODEL	4
X503-004911	LABEL,MODEL	4
X503-006900	LABEL,MODEL	4
X505-000370	LABEL,CAUTION	18
X505-000370	LABEL,CAUTION	22
X530-000210	LABEL,EYE CATCHER	10