

shindaiwa[®]

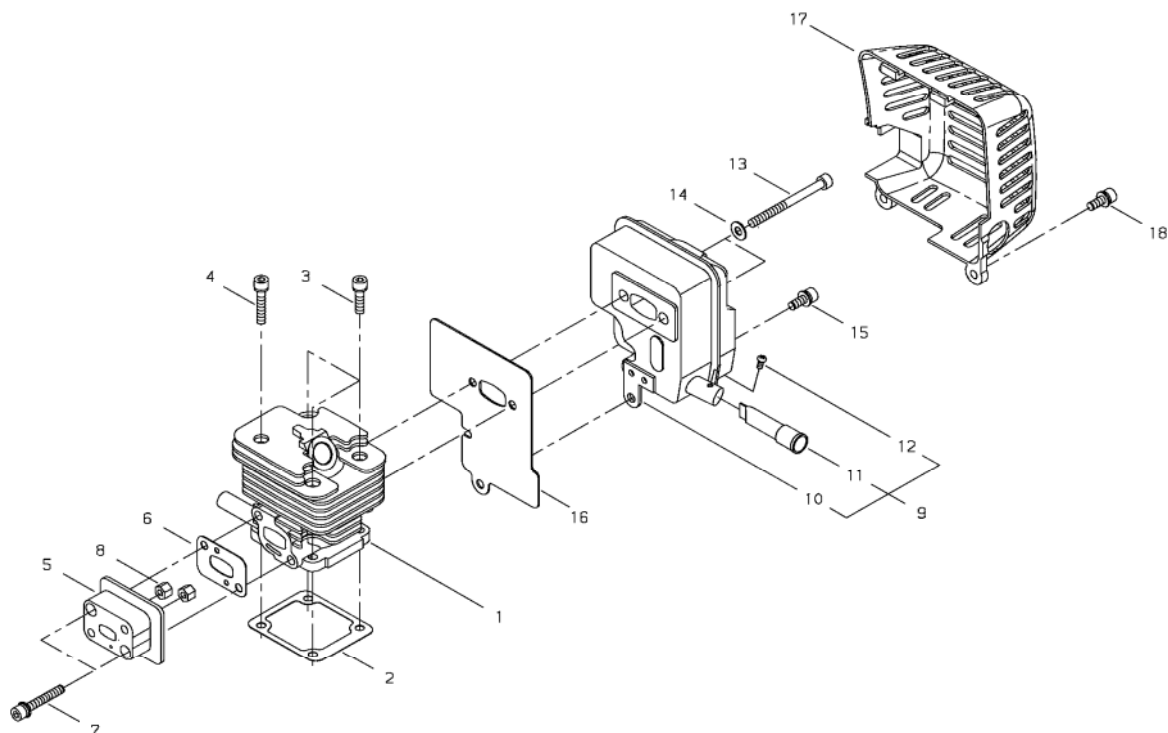
PARTS CATALOGUE

BRUSHCUTTER

C300 EC1

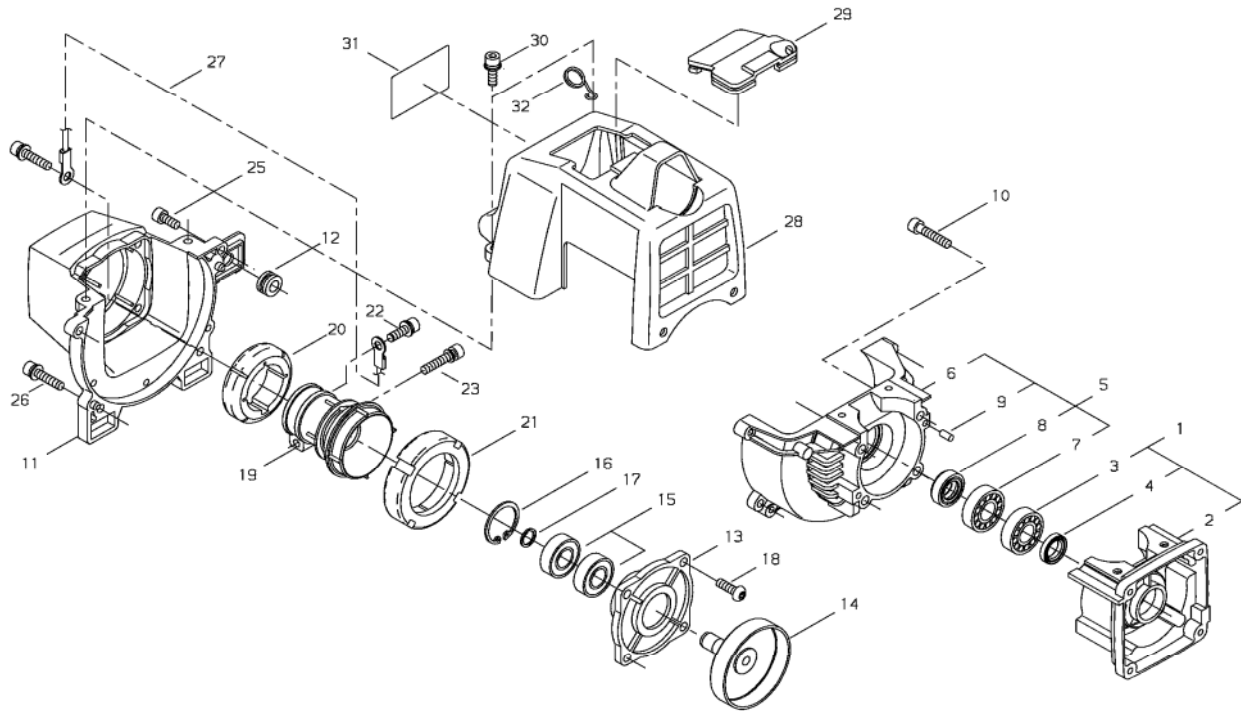
C300 EC1

1. Ref.1



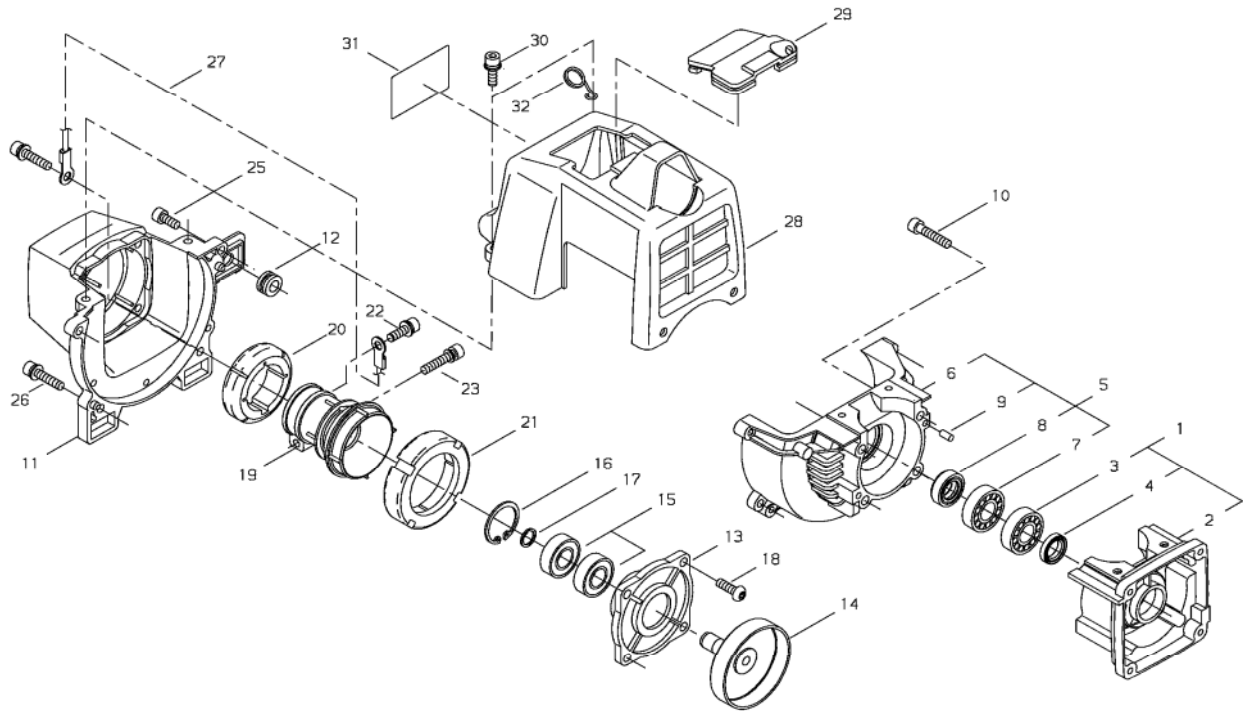
KEY	LV	PART NUMBER	Q'TY	DESCRIPTION	REMARKS	NOTE1	NOTE2
1		20024-12110	1	CYLINDER			
2		62074-12120	1	GASKET CYLINDER			
3		11020-05160	3	BOLT SW			
4		11020-05300	1	BOLT SW			
5		70244-12210	1	INSULATOR			
6		20024-12221	1	GASKET INSULATOR			
7		11022-05200	2	BOLT SPW		M5*20(SW,PW)	
8		20024-12260	2	NUT			
9		70103-15100	1	MUFFLER SUB ASSY			
10		70103-15110	1	MUFFLER			
11		70103-15150	1	SPARK ARRESTER			
12		01270-03062	1	SCREW TAPPING		MFZN3-C M3*6	
13		01020-05550	2	BOLT		M5*55	
14		01610-05080	2	WASHER		5mm T:0.8 MFZN3-C	
15		11022-05120	1	BOLT SPW		M5*12	
16		20024-15210	1	GASKET MUFFLER			
17		70102-15180	1	MUFFLER GUARD			
18		11022-05160	2	BOLT SPW		M5*16	

2. Ref.2



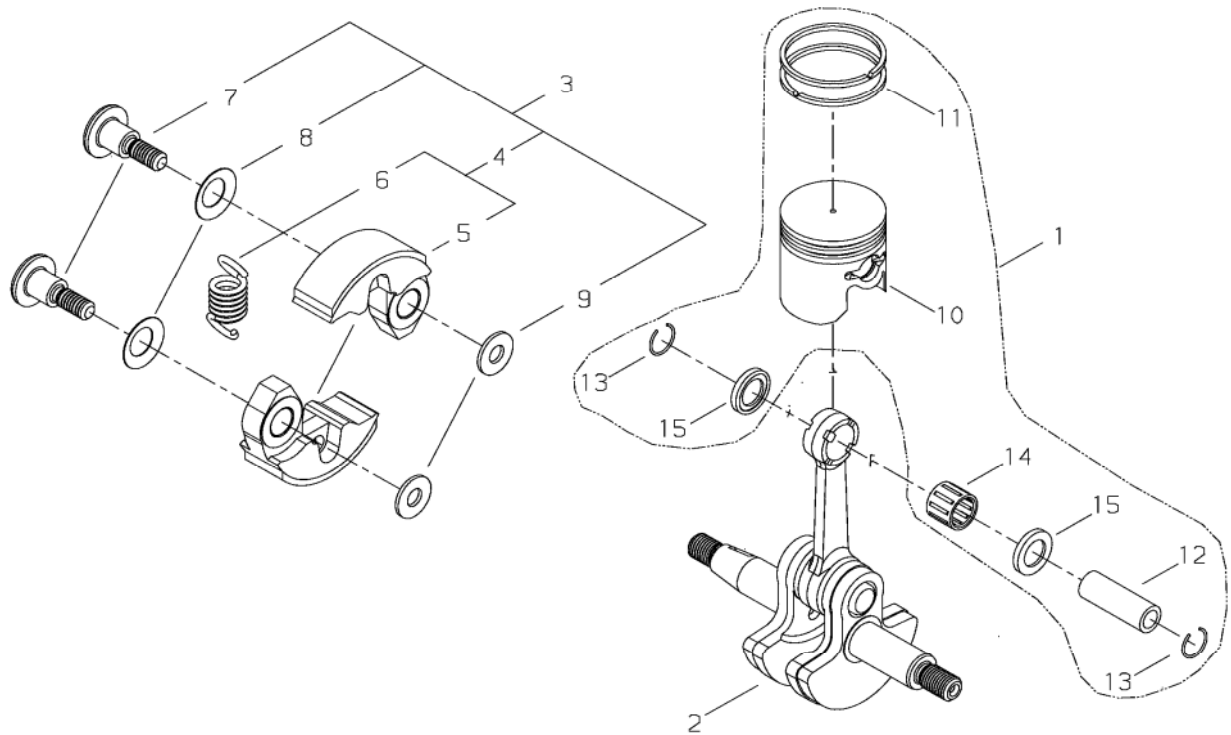
KEY	LV	PART NUMBER	Q'TY	DESCRIPTION	REMARKS	NOTE1	NOTE2
1		62073-21010	1	CRANK CASE S COMP			
2	▪	20024-21110	1	CRANK CASE S			
3	▪	12900-62010	1	BEARING			
4	▪	20000-21211	1	OIL SEAL			
5		62073-21020	1	CRANK CASE M COMP			
6	▪	20024-21120	1	CRANK CASE M			
7	▪	12900-62010	1	BEARING			
8	▪	20000-21211	1	OIL SEAL			
9	▪	12492-50100	2	ROLLER		5*10	
10		01020-05250	4	BOLT		M5*25	
11		70102-31110	1	FAN COVER			
12		70105-31520	1	GROMMET			
13		20024-31130	1	CLUTCH CASE			
14		72575-98021	1	CLUTCH DRUM			
15		02036-06001	2	BALL BEARING	6001DDUC3S27	6001DDU C3 S27	
16		02432-28120	1	SNAP RING			
17		20000-31140	1	SNAP RING			
18		11210-05160	4	SCREW BUTTON		M5*16	
19		20024-31411	1	JOINT			
20		20024-31421	1	FRONT CUSHION			
21		20024-31431	1	REAR CUSHION			
22		11022-05160	1	BOLT SPW		M5*16	
23		11022-06280	1	BOLT SPW		M6*28 SPW	
25		11020-05180	2	BOLT SW		M5*18	
26		11022-05300	2	BOLT SW			

2. Ref.2



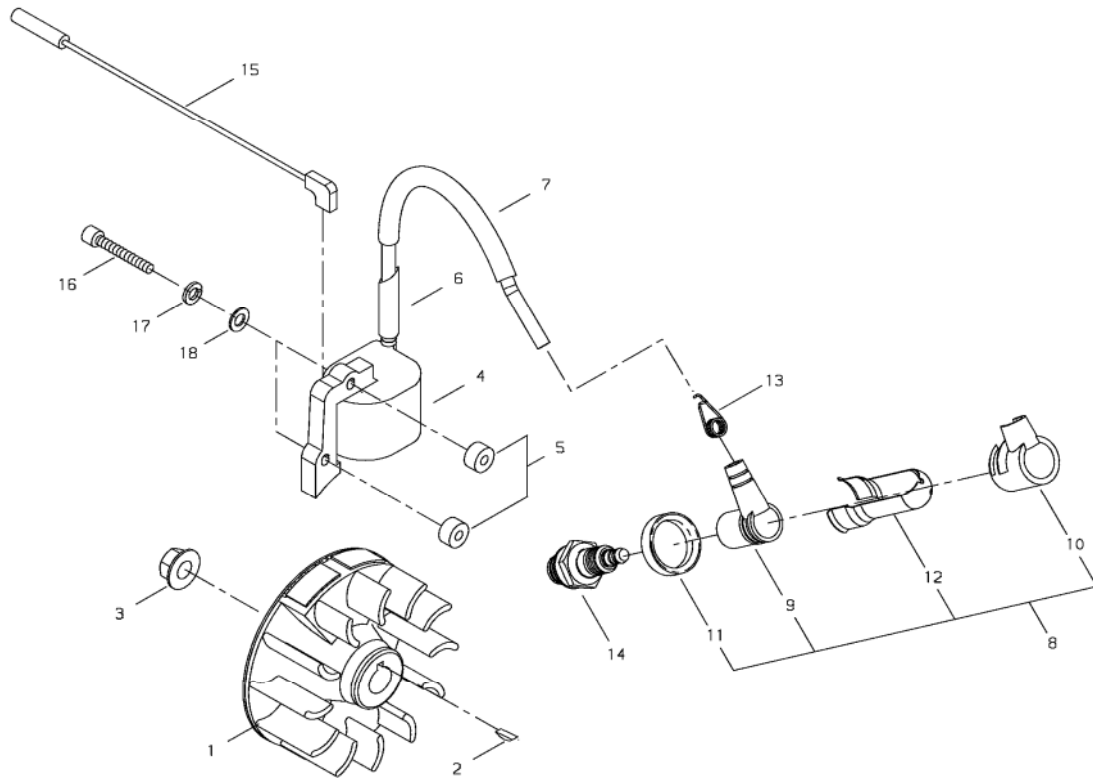
KEY	LV	PART NUMBER	Q'TY	DESCRIPTION	REMARKS	NOTE1	NOTE2
27		70192-31510	1	EARTH CORD			
28		70102-31211	1	CYLINDER COVER			
29		20024-31231	1	DUST CAP			
30		11022-05160	2	BOLT SPW		M5*16	
31		62098-91320	1	LABEL TRADE			
32		20024-83152	1	CABLE HOLDER			

3. Ref.3



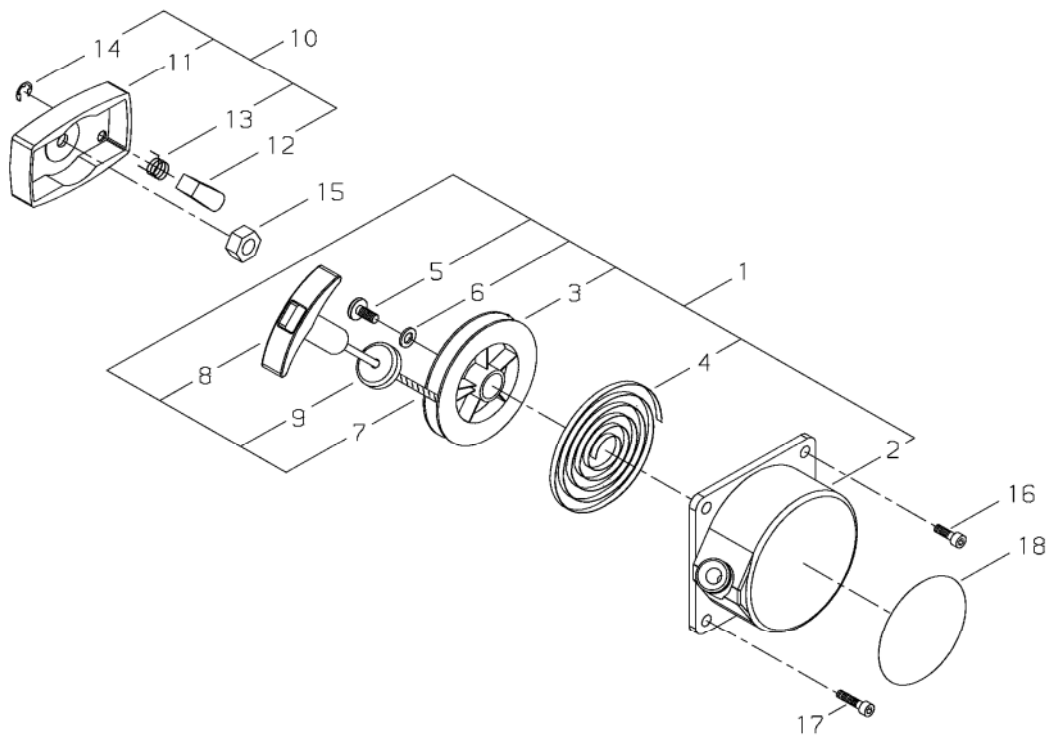
KEY	LV	PART NUMBER	Q'TY	DESCRIPTION	REMARKS	NOTE1	NOTE2
1		20024-41000	1	PISTON ASSY			
2		20024-42001	1	CRANK SHAFT ASSY			
3		72575-98031	1	CLUTCH SHOE ASSY			
4	•	72575-98040	1	CLUTCH SHOE SUB ASSY			
5	• •	72575-98050	2	CLUTCH SHOE			
6	• •	72575-98060	1	SPRING			
7	•	72575-98071	2	BOLT			
8	•	20087-51231	2	SPRING PLATE			
9	•	22100-71430	2	WASHER			
10	•	20024-41110	1	PISTON			
11	•	20024-41210	2	PISTON RING			
12	•	20024-41311	1	PISTON PIN			
13	•	20000-41320	2	SNAP RING			
14	•	37019-41230	1	NEEDLE BEARING			
15	•	37019-41240	2	THRUST WASHER			

4. Ref.4



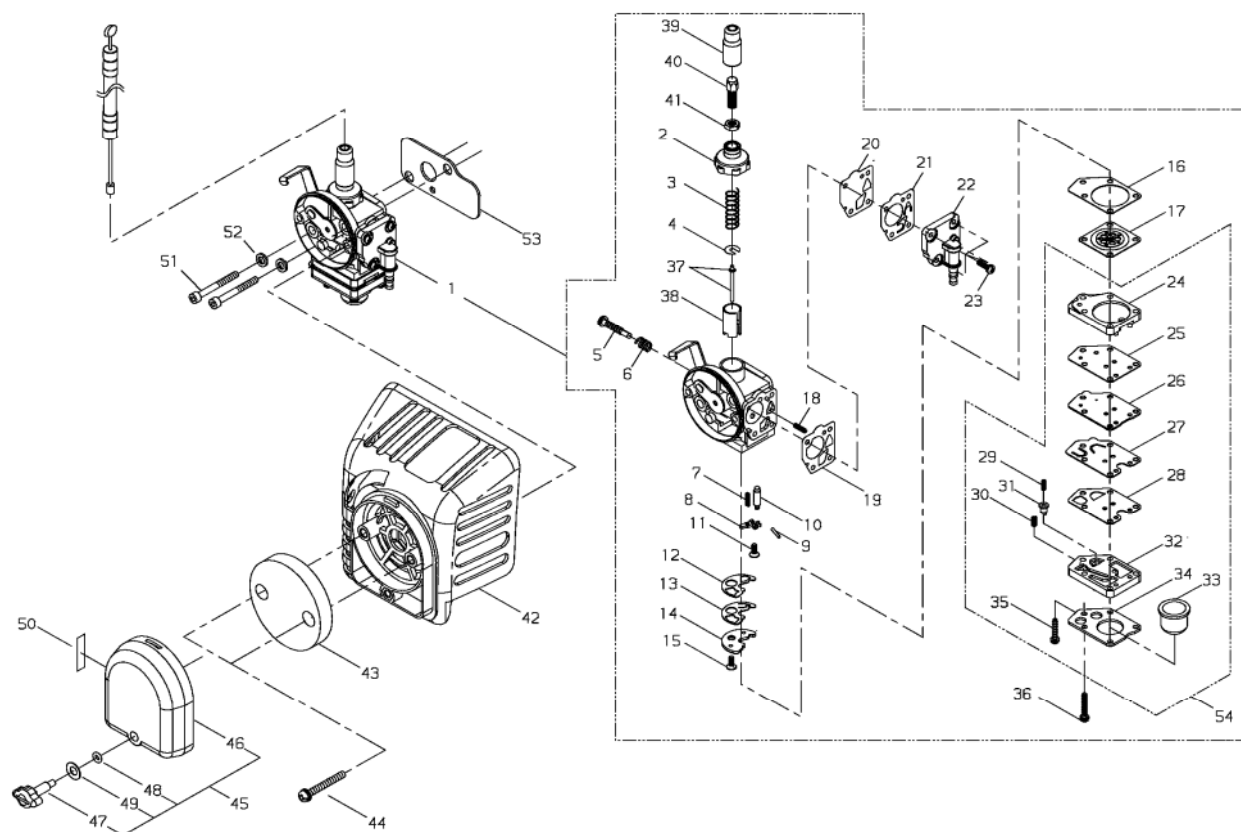
KEY	LV	PART NUMBER	Q'TY	DESCRIPTION	REMARKS	NOTE1	NOTE2
1		20024-71201	1	ROTOR			
2		02403-03100	1	KEY	3*10	3*10	
3		20035-71220	1	NUT			
4		20024-71610	1	COIL			
5		70030-71620	2	INSULATOR			
6		20024-72112	1	TUBE			
7		70168-71660	1	TUBE		L=50	
8		70223-72200	1	PLUG CAP COMP			
9	•	20010-72221	1	PLUG CAP			
10	•	20000-72241	1	PLUG CAP COVER			
11	•	20000-72250	1	COVER BAND			
12	•	70180-72260	1	SHIELD			
13		20000-72230	1	SPRING SPARK PLUG			
14		13000-13506	1	SPARK PLUG BPMR6A		BPMR6A	
15		70102-74130	1	CORD			
16		01020-04300	2	BOLT			
17		01600-04101	2	SPRING WASHER		4mm MFZN3-C	
18		01613-04080	2	WASHER		4mm MFZN3-C	

5. Ref.5



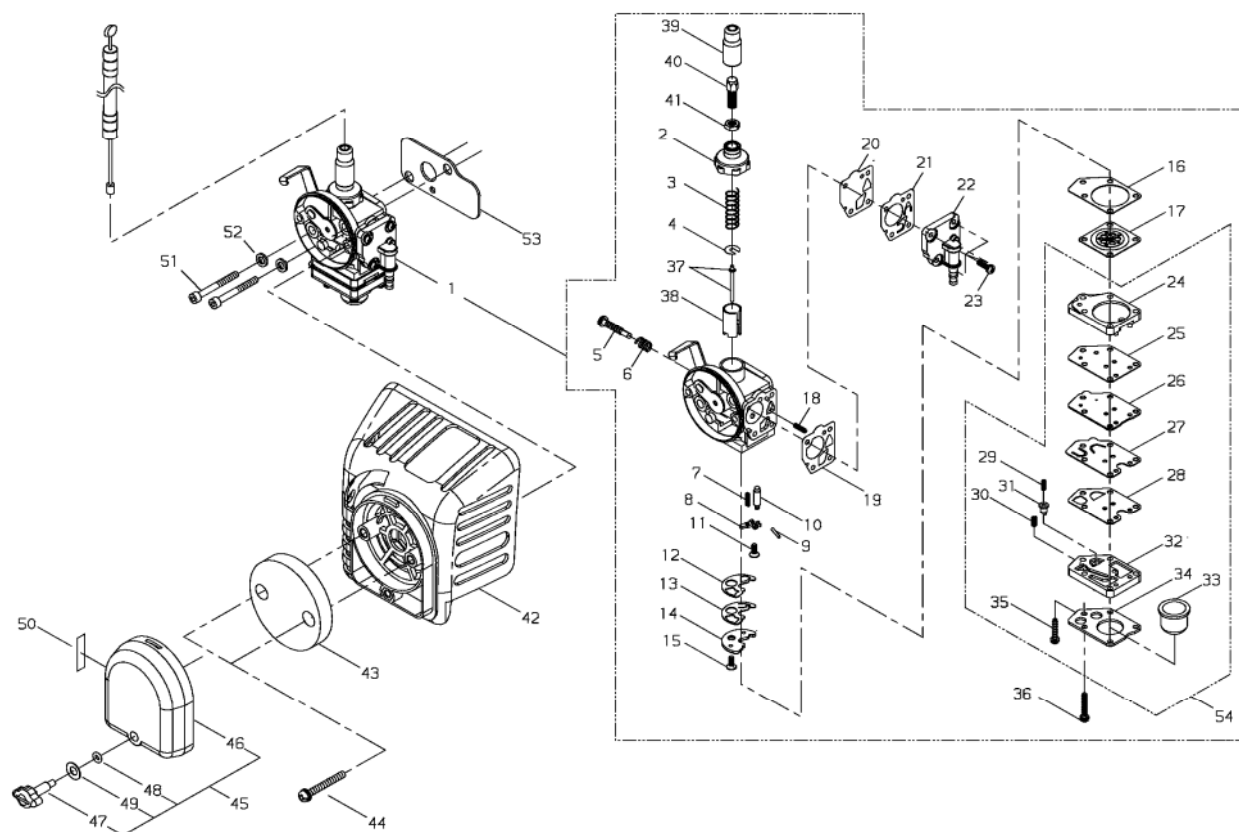
KEY	LV	PART NUMBER	Q'TY	DESCRIPTION	REMARKS	NOTE1	NOTE2
1		70102-75901	1	RECOIL STARETR			
2	•	70102-75111	1	STARTER CASE			
3	•	20024-75120	1	REEL			
4	•	20024-75130	1	RECOIL SPRING			
5	•	20035-75170	1	SCREW			
6	•	20024-75140	1	WASHER			
7	•	20024-75160	1	ROPE			
8	•	20024-75190	1	STARTER KNOB			
9	•	20024-75180	1	DAMPER			
10		20024-75200	1	STARTER PULLEY			
11	•	20024-75210	1	STARTER PULLEY			
12	•	20024-75220	1	RATCHET			
13	•	20024-75230	1	RETURN SPRING			
14	•	20024-75240	1	E RING			
15		20035-43230	1	NUT			
16		11024-05160	2	BOLT PM SPW		M5*16 (SW,PW)	
17		11022-05250	2	BOLT SPW		M5*25 (SW,PW)	
18		70005-75240	1	NAME PLATE			

6. Ref.6



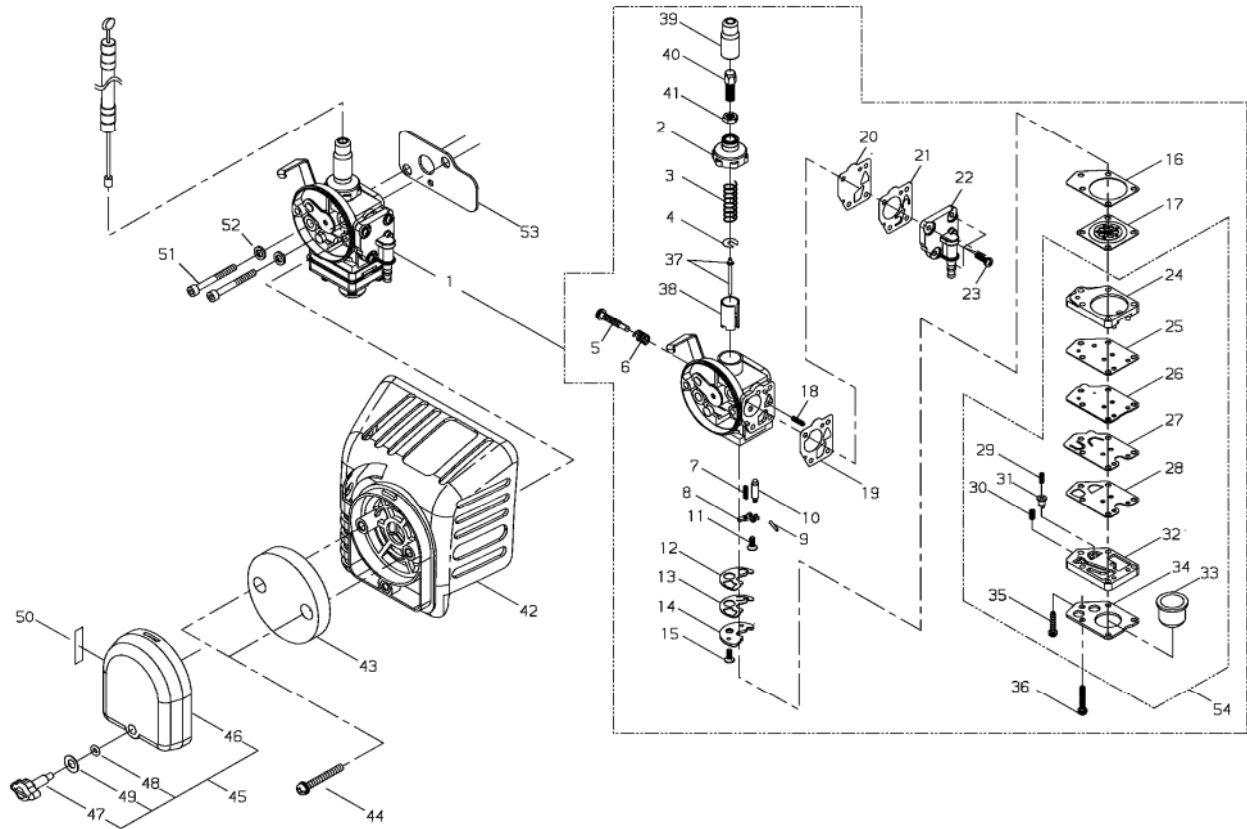
KEY	LV	PART NUMBER	Q'TY	DESCRIPTION	REMARKS	NOTE1	NOTE2
1		70170-81020	1	CARBURETOR SUB ASSY			
2	▪	72920-81120	1	BODY CAP			
3	▪	20011-81140	1	SPRING			
4	▪	20000-81150	1	SPRING RECEIVE			
5	▪	20000-81310	1	SLOW STOP SCREW			
6	▪	72920-81820	1	SPRING			
7	▪	20087-81480	1	SPRING			
8	▪	20019-81450	1	CONTROL LEVER			
9	▪	20011-81460	1	PIN			
10	▪	20000-81441	1	NEEDLE VALVE			
11	▪	20011-81470	1	SCREW			
12	▪	20087-81420	1	PACKING			
13	▪	20087-81411	1	CHECK VALVE			
14	▪	20087-81430	1	PLATE			
15	▪	20011-81470	1	SCREW			
16	▪	20087-81510	1	GASKET			
17	▪	20087-81520	1	DIAPHRAGM			
18	▪	20011-81680	1	SPRING			
19	▪	20011-81630	1	GASKET			
20	▪	20011-81621	1	DIAPHRAGM			
21	▪	20087-81660	1	PUMP VALVE			
22	▪	20087-81640	1	PUMP BODY			
23	▪	20000-81650	4	SCREW			
24	▪▪	20087-81550	1	COVER			
25	▪▪	20087-81890	1	PACKING			
26	▪▪	20087-81540	1	GASKET			

6. Ref.6



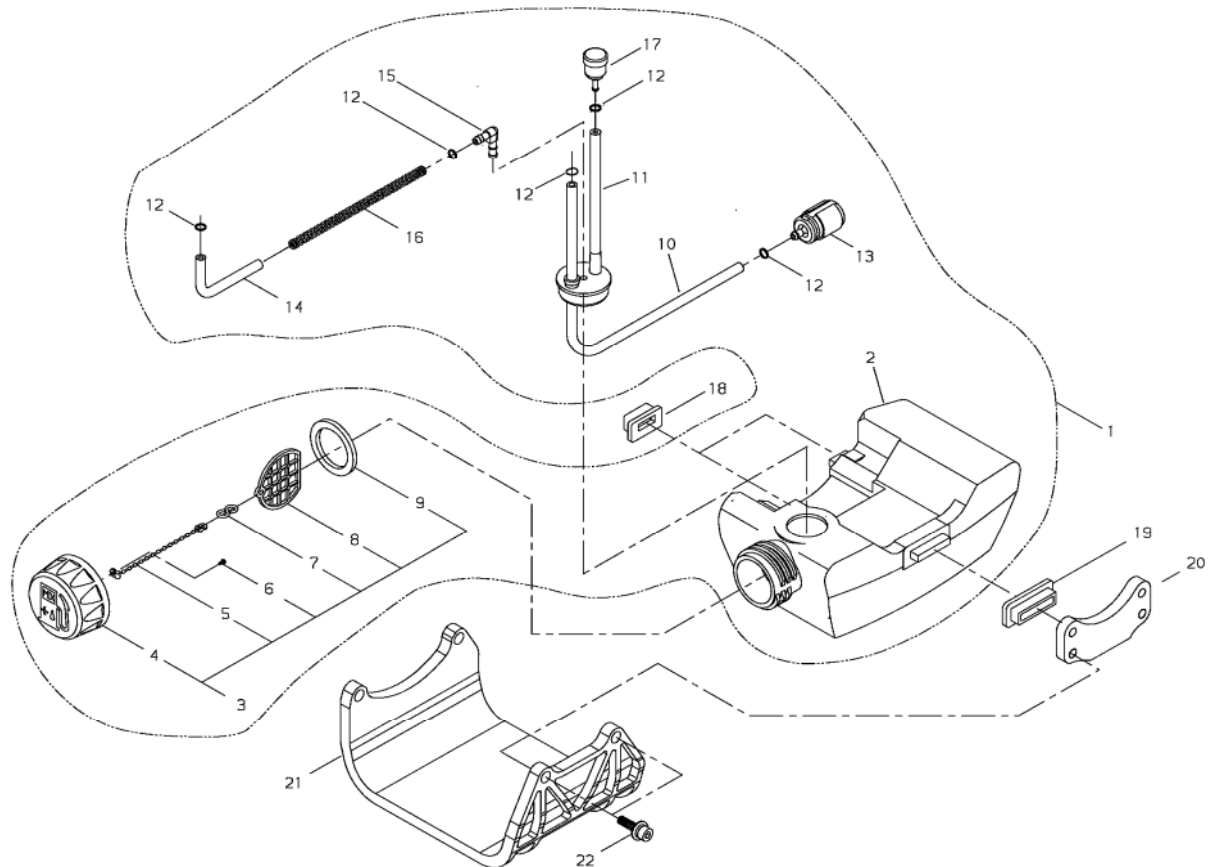
KEY	LV	PART NUMBER	Q'TY	DESCRIPTION	REMARKS	NOTE1	NOTE2
27	• •	20087-81560	1	PLATE			
28	• •	20087-81571	1	CHECK VALVE			
29	• •	20087-81851	1	SPRING			
30	• •	20087-81870	1	SPRING			
31	• •	20087-81861	1	VALVE			
32	• •	20087-81811	1	PUMP BASE			
33	• •	20087-81820	1	PUMP			
34	• •	20087-81830	1	PLATE			
35	• •	20087-81840	1	SCREW			
36	•	20087-81880	4	SCREW			
37	•	70170-81170	1	JET NEEDLE			
38	•	70170-81180	1	THROTTLE VALVE			
39	•	72920-81130	1	ADJUSTER CAP			
40	•	72920-81140	1	CABLE ADJUSTER			
41	•	20000-81260	1	LOCK NUT			
42		70102-81710	1	CLEANER BODY			
43		20056-81740	1	FILTER			
44		11207-04250	2	SCREW PM SLPW			
45		20115-81770	1	CLEANER COVER COMP			
46	•	20024-81770	1	CLEANER COVER			
47	•	20115-81780	1	KNOB CLEANER COVER			
48	•	22100-82430	1	O RING			
49	•	20024-81790	1	CONE WASHER			
50		19404-00008	1	LABEL CHOKE			
51		01020-05650	2	BOLT		M5x65	
52		01600-05131	2	SPRING WASHER		5mm MFZN3-C	

6. Ref.6



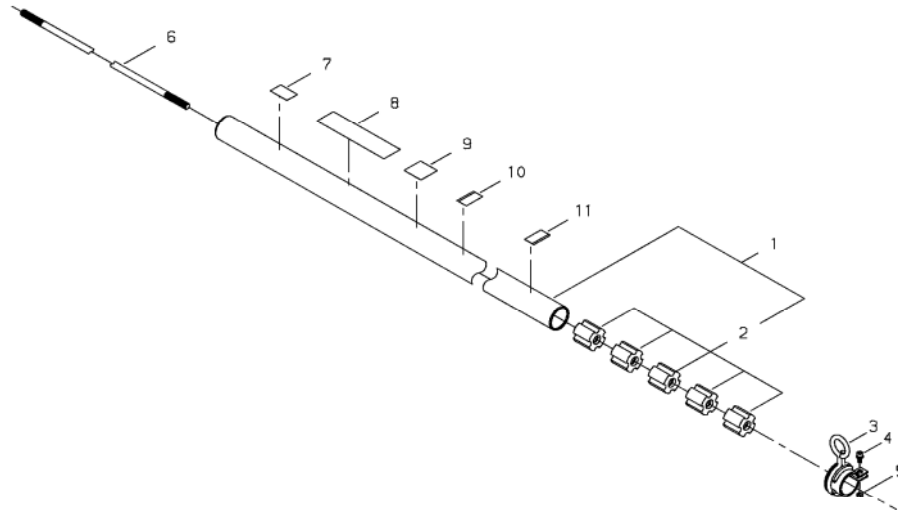
KEY	LV	PART NUMBER	Q'TY	DESCRIPTION	REMARKS	NOTE1	NOTE2
53		70244-83410	1	GASKET CARBURETOR			
54		20087-81531	1	COVER SUB ASSY			

7. Ref.7



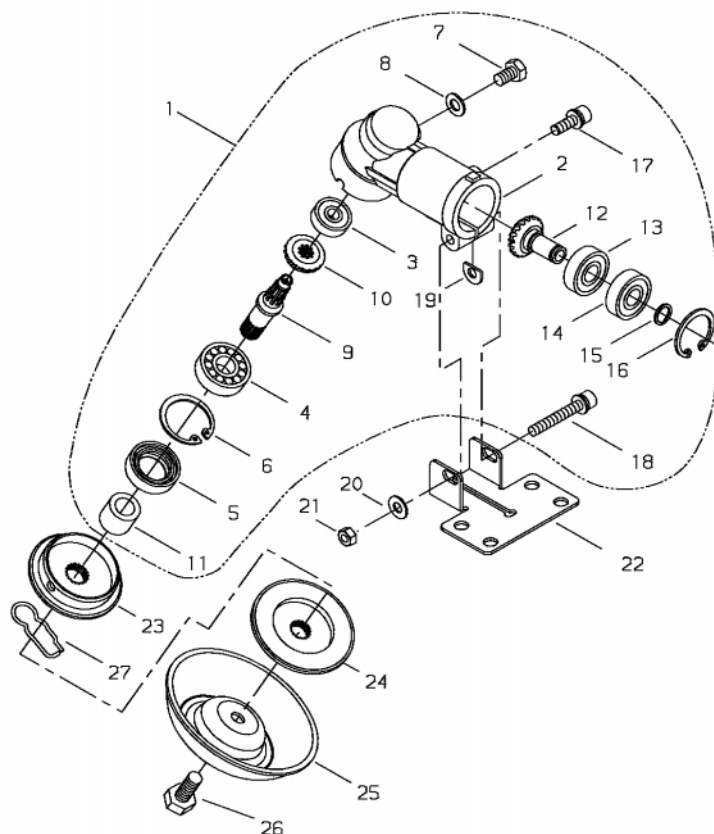
KEY	LV	PART NUMBER	Q'TY	DESCRIPTION	REMARKS	NOTE1	NOTE2
1		70168-85001	1	FUEL TANK ASSY			
2	•	70244-85110	1	FUEL TANK			
3	•	70168-85201	1	FUEL CAP ASSY			
4	• •	70168-85210	1	FUEL CAP			
5	• •	22128-57250	1	CHAIN CAP			
6	• •	01270-25064	1	SCREW TAPPING			
7	• •	22155-21330	1	HOOK			
8	• •	22150-21350	1	CLIP			
9	• •	20000-85221	1	GASKET			
10	•	70170-85310	1	FUEL PIPE			
11	•	20089-85350	1	GROMMET			
12	•	20020-85540	5	CLIP			
13	•	22115-85401	1	FUEL FILTER			
14	•	70170-83311	1	PIPE			
15	•	20087-85340	1	JOINT_PIPE			
16	•	20019-83320	1	SPRING			
17	•	22197-33960	1	VALVE			
18		20024-86120	2	TANK CUSHION			
19		20024-86130	1	TANK CUSHION			
20		62074-85210	1	TANK BRACKET			
21		62074-85310	1	TANK GUARD			
22		11022-05200	2	BOLT SPW		M5*20(SW,PW)	

8. Ref.8



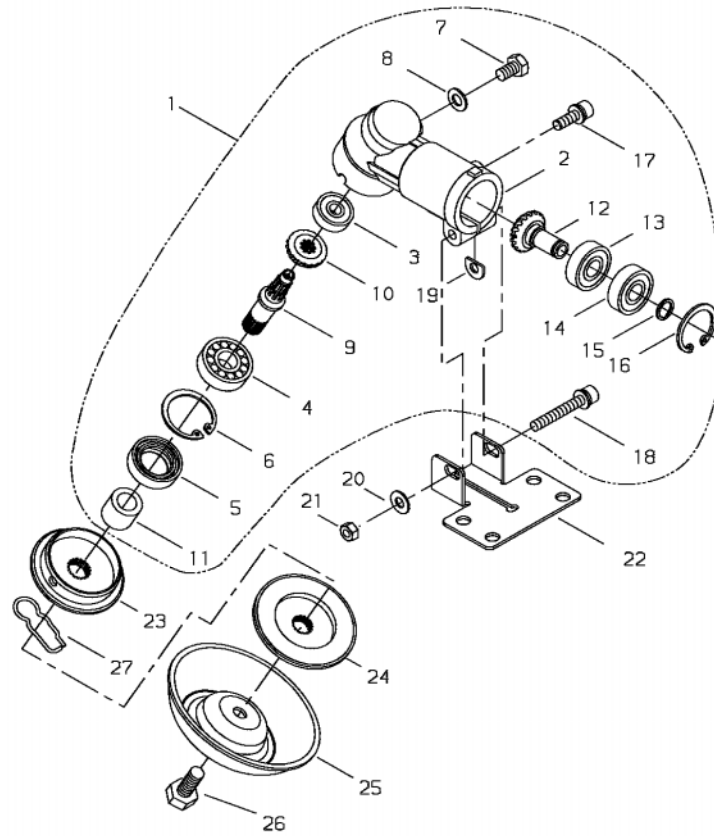
KEY	LV	PART NUMBER	Q'TY	DESCRIPTION	REMARKS	NOTE1	NOTE2
1		22024-12102	1	OUTER PIPE SUB ASSY			
2		22024-12120	5	BUSH			
3		22009-12210	1	HANGER			
4		11022-05120	1	BOLT SPW		M5*12	
5		01500-05041	1	NUT	M5	M5 MFZN3-C	
6		22000-12413	1	MAIN SHAFT			
7		19402-00223	1	LABEL CAUTION		MAX 8500MIN-1	
8		19422-00010	1	LABEL CAUTION			
9		19404-00038	1	LABEL DECIBEL		113dB(A)	
10		72017-12150	1	HANDLE LABEL			
11		72005-12140	1	CAUTION PLATE			

9. Ref.9



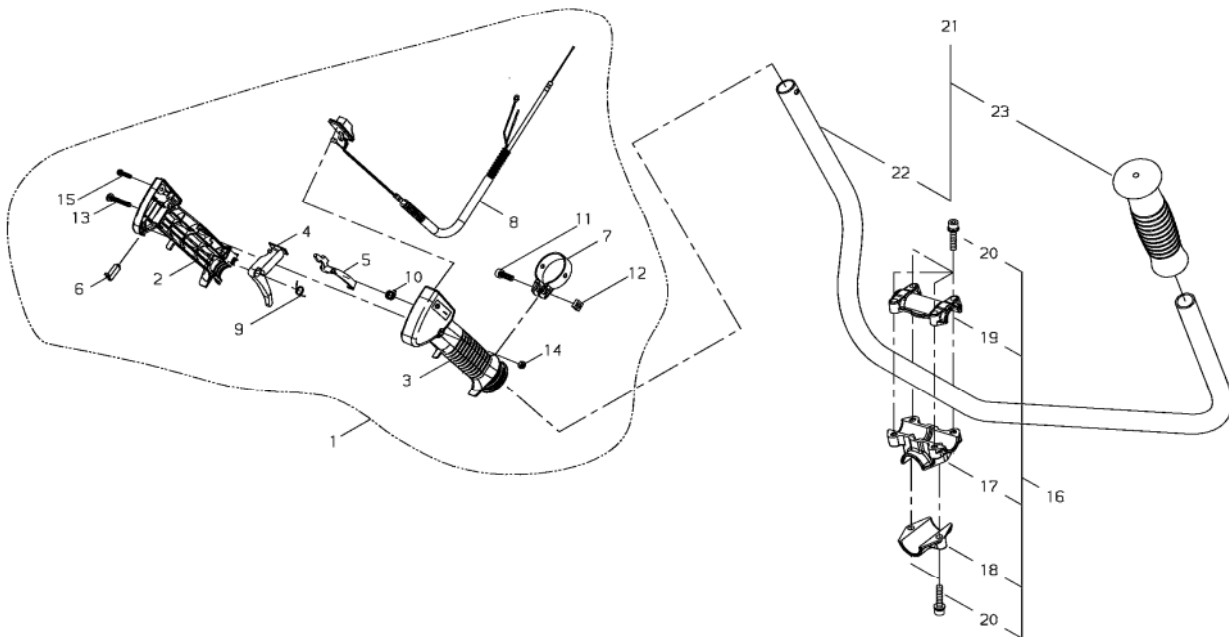
KEY	LV	PART NUMBER	Q'TY	DESCRIPTION	REMARKS	NOTE1	NOTE2
1		63000-63020	1	GEAR CASE COMP			
2	•	22024-13112	1	GEAR CASE			
3	•	02046-00609	1	BEARING		C4	
4	•	02000-06201	1	BEARING			
5	•	22024-13121	1	OIL SEAL			
6	•	02432-32120	1	SNAP RING		32mm C	
7	•	22015-13410	1	BOLT			
8	•	22015-13420	1	GASKET			
9	•	72435-13210	1	GEAR SHAFT			
10	•	22024-13220	1	BEVEL GEAR			
11	•	22000-13230	1	COLLAR			
12	•	22024-13391	1	PINION SET			
13	•	02000-06901	1	BEARING			
14	•	02002-06901	1	BEARING		6901ZZ	
15	•	20000-31140	1	SNAP RING			
16	•	02432-24120	1	SNAP RING		C	
17	•	11022-05160	1	BOLT SPW		M5*16	
18	•	11022-06400	1	BOLT SPW			
19	•	22011-13450	1	SHIM			
20		01500-06051	1	NUT	M6	M6 MFZN3-C	
21		01613-06100	1	WASHER		MFZN3-C	
22		72441-16130	1	LOWER CLAMP			
23		22024-13912	1	HOLDER A			
24		63000-63170	1	HOLDER			
25		72444-13290	1	STABILIZER			
26		22000-13512	1	BOLT			

9. Ref.9



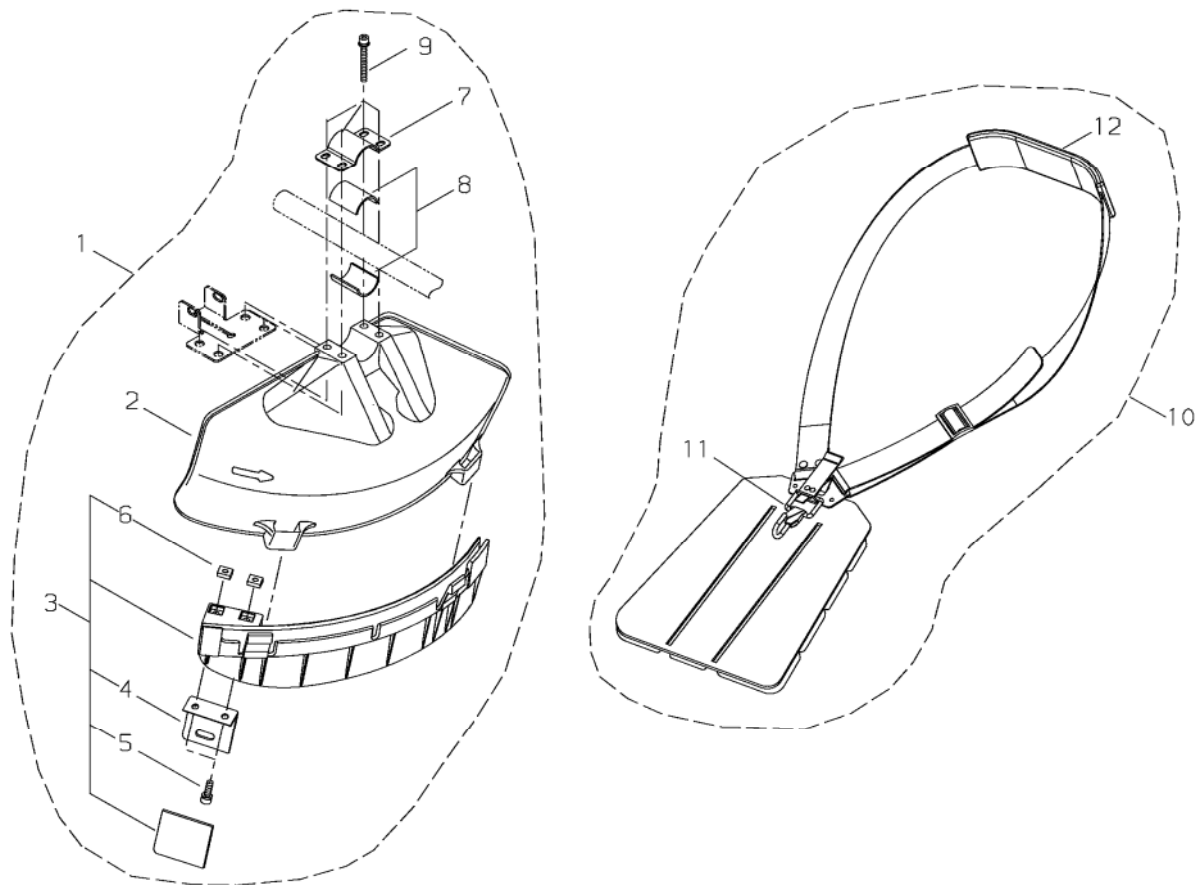
KEY	LV	PART NUMBER	Q'TY	DESCRIPTION	REMARKS	NOTE1	NOTE2
27		22000-13530	1	SLIDE PIN			

10. Ref.10



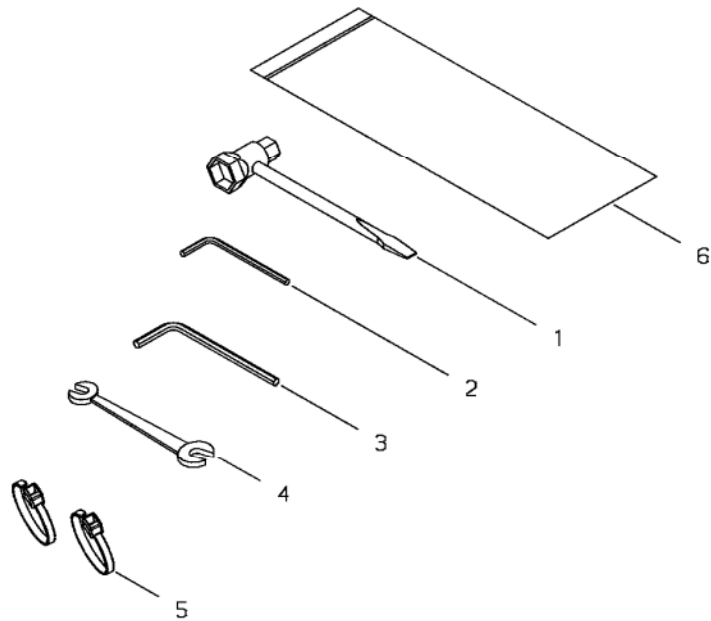
KEY	LV	PART NUMBER	Q'TY	DESCRIPTION	REMARKS	NOTE1	NOTE2
1		62098-64250	1	THROTTLE LEVER ASSY			
2	•	72431-14510	1	BODY RIGHT			
3	•	72431-14520	1	BODY LEFT			
4	•	72451-14530	1	LEVER			
5	•	72451-14540	1	LOCK LEVER			
6	•	72451-14550	1	BUTTON			
7	•	72451-14560	1	CLAMP			
8	•	62098-64310	1	THROTTLE CABLE COMP			
9	•	72451-14580	1	RETURN SPRING			
10	•	72451-14590	1	SPRING			
11	•	01020-06200	1	BOLT		M6*20	
12	•	72451-14610	1	NUT			
13	•	11203-05351	1	SCREW PM		S350-2	
14	•	72451-14630	1	NUT			
15	•	72451-14620	1	SCREW TAPPING			
16		34000-64020	1	BRACKET ASSY			
17	•	34000-64110	1	BRACKET			
18	•	34000-64120	1	LOWER CAP			
19	•	34004-64130	1	UPPER CAP			
20	•	11022-05250	6	BOLT SPW		M5*25 (SW,PW)	
21		72529-14200	1	HANDLE SUB ASSY			
22	•	7252914210	1	HANDLE			
23	•	22421-14230	1	GRIP			

11. Ref.11



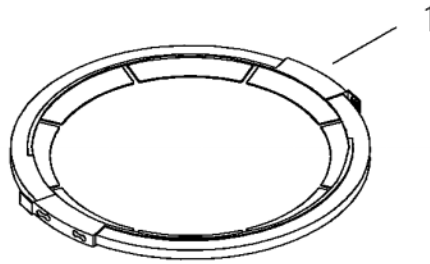
KEY	LV	PART NUMBER	Q'TY	DESCRIPTION	REMARKS	NOTE1	NOTE2
1		62903-66322	1	GUARD SET			
2	▪	62903-66111	1	GUARD			
3	▪	62903-66332	1	SUB GUARD ASSY			
4	▪ ▪	72480-16121	1	CUTTER			
5	▪ ▪	11020-05160	2	BOLT SW			
6	▪ ▪	22420-16120	2	NUT			
7	▪	72480-16210	1	UPPER CLAMP			
8	▪	72480-16220	2	SPACER			
9	▪	11022-05450	4	BOLT SPW		M5x45 SPW	
10		72474-17201	1	STRAP ASSY			
11	▪	22421-17130	1	HOOK			
12	▪	22007-17220	1	PROTECTOR			

12. Ref.12



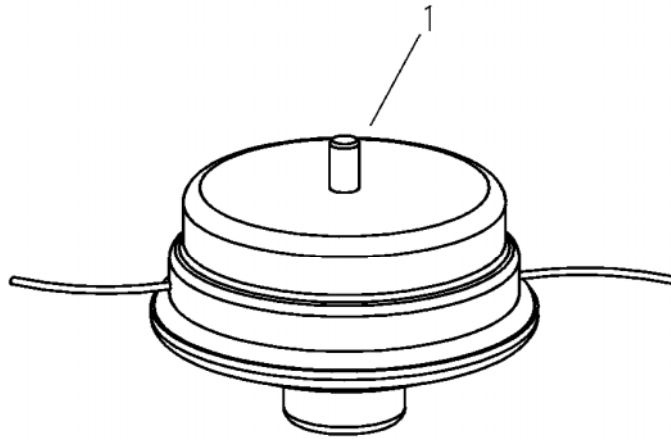
KEY	LV	PART NUMBER	Q'TY	DESCRIPTION	REMARKS	NOTE1	NOTE2
1		22000-91181	1	PLUG WRENCH		19x13	
2		09026-04001	1	HEXA WRENCH	4MM M5㉿	4mm M5	
3		09026-05001	1	HEXA WRENCH 6MM		5mm M6	
4		22000-91120	1	SPANNER		8x10	
5		72431-12190	2	BAND			
6		19639-01400	1	BAG,PACKING	140*200*T0.08	G-8 140*200*t0.08	

13. Ref.13



KEY	LV	PART NUMBER	Q'TY	DESCRIPTION	REMARKS	NOTE1	NOTE2
1		22550-92310	1	BLADE COVER			

14. Ref.14



KEY	LV	PART NUMBER	Q'TY	DESCRIPTION	REMARKS	NOTE1	NOTE2
1		78820-04000	1	TRIMMER HEAD			

Index

Patrs Number	Key No.	Patrs Number	Key No.	Patrs Number	Key No.
01020-04300	4 - 16	12900-62010	2 - 7	20024-71610	4 - 4
01020-05250	2 - 10	13000-13506	4 - 14	20024-72112	4 - 6
01020-05550	1 - 13	19402-00223	8 - 7	20024-75120	5 - 3
01020-05650	6 - 51	19404-00008	6 - 50	20024-75130	5 - 4
01020-06200	10 - 11	19404-00038	8 - 9	20024-75140	5 - 6
01270-03062	1 - 12	19422-00010	8 - 8	20024-75160	5 - 7
01270-25064	7 - 6	19639-01400	12 - 6	20024-75180	5 - 9
01500-05041	8 - 5	20000-21211	2 - 4	20024-75190	5 - 8
01500-06051	9 - 20	20000-21211	2 - 8	20024-75200	5 - 10
01600-04101	4 - 17	20000-31140	2 - 17	20024-75210	5 - 11
01600-05131	6 - 52	20000-31140	9 - 15	20024-75220	5 - 12
01610-05080	1 - 14	20000-41320	3 - 13	20024-75230	5 - 13
01613-04080	4 - 18	20000-72230	4 - 13	20024-75240	5 - 14
01613-06100	9 - 21	20000-72241	4 - 10	20024-81770	6 - 46
02000-06201	9 - 4	20000-72250	4 - 11	20024-81790	6 - 49
02000-06901	9 - 13	20000-81150	6 - 4	20024-83152	2 - 32
02002-06901	9 - 14	20000-81260	6 - 41	20024-86120	7 - 18
02036-06001	2 - 15	20000-81310	6 - 5	20024-86130	7 - 19
02046-00609	9 - 3	20000-81441	6 - 10	20035-43230	5 - 15
02403-03100	4 - 2	20000-81650	6 - 23	20035-71220	4 - 3
02432-24120	9 - 16	20000-85221	7 - 9	20035-75170	5 - 5
02432-28120	2 - 16	20010-72221	4 - 9	20056-81740	6 - 43
02432-32120	9 - 6	20011-81140	6 - 3	20087-51231	3 - 8
09026-04001	12 - 2	20011-81460	6 - 9	20087-81411	6 - 13
09026-05001	12 - 3	20011-81470	6 - 11	20087-81420	6 - 12
11020-05160	1 - 3	20011-81470	6 - 15	20087-81430	6 - 14
11020-05160	11 - 5	20011-81621	6 - 20	20087-81480	6 - 7
11020-05180	2 - 25	20011-81630	6 - 19	20087-81510	6 - 16
11020-05300	1 - 4	20011-81680	6 - 18	20087-81520	6 - 17
11022-05120	1 - 15	20019-81450	6 - 8	20087-81531	6 - 54
11022-05120	8 - 4	20019-83320	7 - 16	20087-81540	6 - 26
11022-05160	1 - 18	20020-85540	7 - 12	20087-81550	6 - 24
11022-05160	2 - 22	20024-12110	1 - 1	20087-81560	6 - 27
11022-05160	2 - 30	20024-12221	1 - 6	20087-81571	6 - 28
11022-05160	9 - 17	20024-12260	1 - 8	20087-81640	6 - 22
11022-05200	1 - 7	20024-15210	1 - 16	20087-81660	6 - 21
11022-05200	7 - 22	20024-21110	2 - 2	20087-81811	6 - 32
11022-05250	10 - 20	20024-21120	2 - 6	20087-81820	6 - 33
11022-05250	5 - 17	20024-31130	2 - 13	20087-81830	6 - 34
11022-05300	2 - 26	20024-31231	2 - 29	20087-81840	6 - 35
11022-05450	11 - 9	20024-31411	2 - 19	20087-81851	6 - 29
11022-06280	2 - 23	20024-31421	2 - 20	20087-81861	6 - 31
11022-06400	9 - 18	20024-31431	2 - 21	20087-81870	6 - 30
11024-05160	5 - 16	20024-41000	3 - 1	20087-81880	6 - 36
11203-05351	10 - 13	20024-41110	3 - 10	20087-81890	6 - 25
11207-04250	6 - 44	20024-41210	3 - 11	20087-85340	7 - 15
11210-05160	2 - 18	20024-41311	3 - 12	20089-85350	7 - 11
12492-50100	2 - 9	20024-42001	3 - 2	20115-81770	6 - 45
12900-62010	2 - 3	20024-71201	4 - 1	20115-81780	6 - 47

Index

Patrs Number	Key No.	Patrs Number	Key No.	Patrs Number	Key No.
22000-12413	8 - 6	70030-71620	4 - 5	7252914210	10 - 22
22000-13230	9 - 11	70102-15180	1 - 17	72575-98021	2 - 14
22000-13512	9 - 26	70102-31110	2 - 11	72575-98031	3 - 3
22000-13530	9 - 27	70102-31211	2 - 28	72575-98040	3 - 4
22000-91120	12 - 4	70102-74130	4 - 15	72575-98050	3 - 5
22000-91181	12 - 1	70102-75111	5 - 2	72575-98060	3 - 6
22007-17220	11 - 12	70102-75901	5 - 1	72575-98071	3 - 7
22009-12210	8 - 3	70102-81710	6 - 42	72920-81120	6 - 2
22011-13450	9 - 19	70103-15100	1 - 9	72920-81130	6 - 39
22015-13410	9 - 7	70103-15110	1 - 10	72920-81140	6 - 40
22015-13420	9 - 8	70103-15150	1 - 11	72920-81820	6 - 6
22024-12102	8 - 1	70105-31520	2 - 12	78820-04000	14 - 1
22024-12120	8 - 2	70168-71660	4 - 7		
22024-13112	9 - 2	70168-85001	7 - 1		
22024-13121	9 - 5	70168-85201	7 - 3		
22024-13220	9 - 10	70168-85210	7 - 4		
22024-13391	9 - 12	70170-81020	6 - 1		
22024-13912	9 - 23	70170-81170	6 - 37		
22100-71430	3 - 9	70170-81180	6 - 38		
22100-82430	6 - 48	70170-83311	7 - 14		
22115-85401	7 - 13	70170-85310	7 - 10		
22128-57250	7 - 5	70180-72260	4 - 12		
22150-21350	7 - 8	70192-31510	2 - 27		
22155-21330	7 - 7	70223-72200	4 - 8		
22197-33960	7 - 17	70244-12210	1 - 5		
22420-16120	11 - 6	70244-83410	6 - 53		
22421-14230	10 - 23	70244-85110	7 - 2		
22421-17130	11 - 11	72005-12140	8 - 11		
22550-92310	13 - 1	72017-12150	8 - 10		
34000-64020	10 - 16	72431-12190	12 - 5		
34000-64110	10 - 17	72431-14510	10 - 2		
34000-64120	10 - 18	72431-14520	10 - 3		
34004-64130	10 - 19	72435-13210	9 - 9		
37019-41230	3 - 14	72441-16130	9 - 22		
37019-41240	3 - 15	72444-13290	9 - 25		
62073-21010	2 - 1	72451-14530	10 - 4		
62073-21020	2 - 5	72451-14540	10 - 5		
62074-12120	1 - 2	72451-14550	10 - 6		
62074-85210	7 - 20	72451-14560	10 - 7		
62074-85310	7 - 21	72451-14580	10 - 9		
62098-64250	10 - 1	72451-14590	10 - 10		
62098-64310	10 - 8	72451-14610	10 - 12		
62098-91320	2 - 31	72451-14620	10 - 15		
62903-66111	11 - 2	72451-14630	10 - 14		
62903-66322	11 - 1	72474-17201	11 - 10		
62903-66332	11 - 3	72480-16121	11 - 4		
63000-63020	9 - 1	72480-16210	11 - 7		
63000-63170	9 - 24	72480-16220	11 - 8		
70005-75240	5 - 18	72529-14200	10 - 21		

YAMABIKO CORPORATION

7-2 SUEHIROCHO 1-CHOME, OHME, TOKYO 198-8760, JAPAN
PHONE: 81-428-32-6118. FAX: 81-428-32-6145.

shindaiwa[®]

EC1
No.