

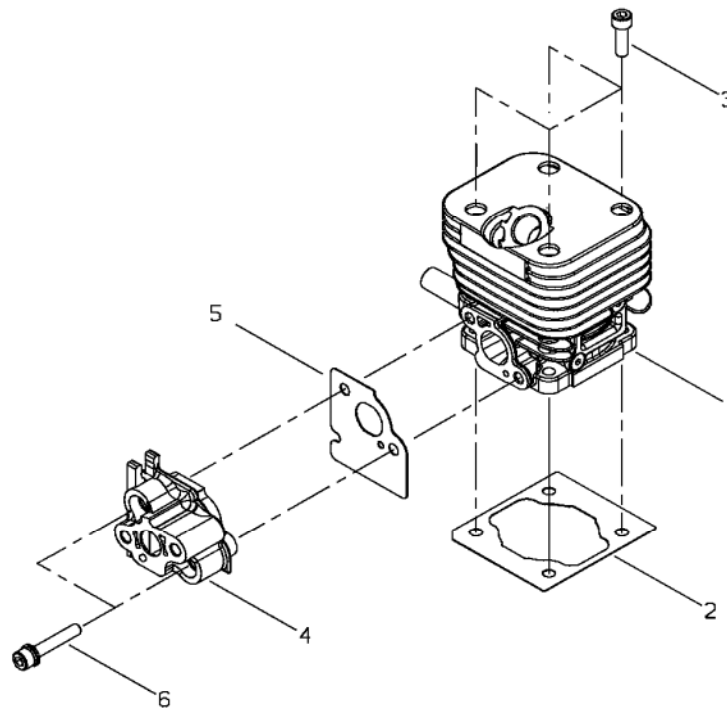
**shindaiwa<sup>®</sup>**

# **PARTS CATALOGUE**

## **BRUSHCUTTER C282S EC2**

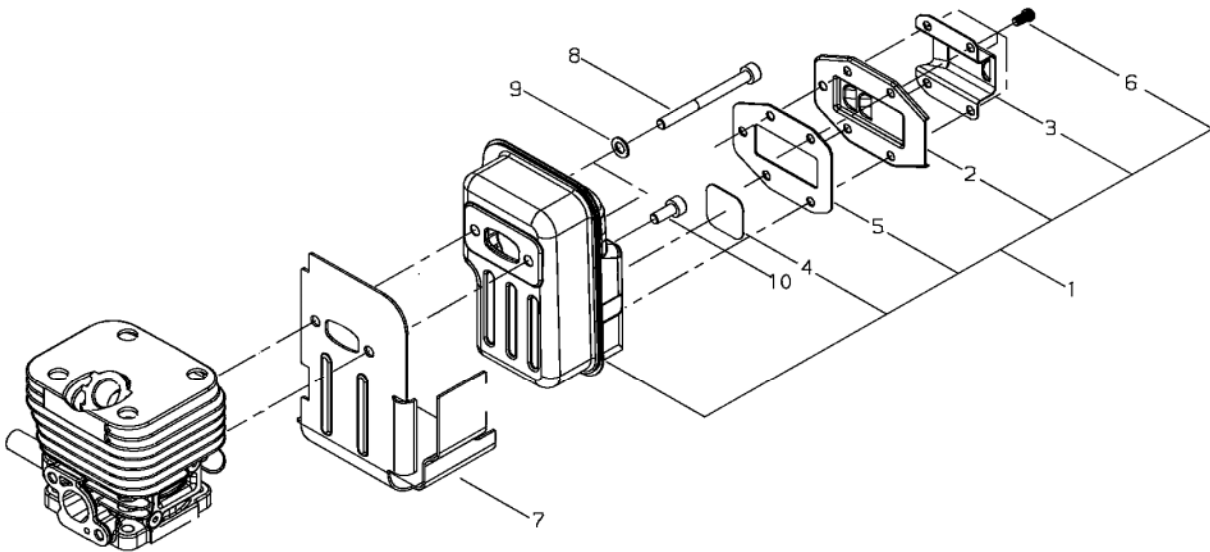
**C282S EC2**

## 1. Ref.1



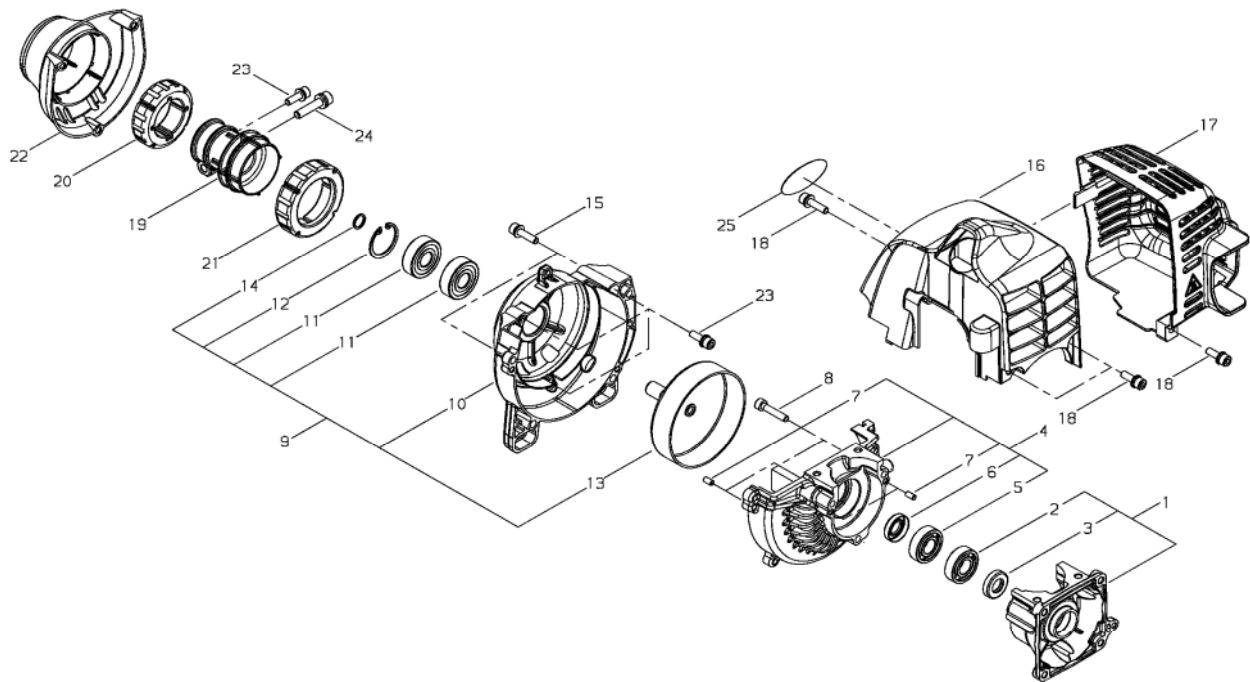
| KEY | LV | PART NUMBER | Q'TY | DESCRIPTION   | REMARKS     | NOTE1 | NOTE2 |
|-----|----|-------------|------|---------------|-------------|-------|-------|
| 1   |    | 62128-12010 | 1    | CYLINDER COMP |             |       |       |
| 2   |    | 62128-12120 | 1    | GASKET        |             |       |       |
| 3   |    | 01020-05160 | 4    | BOLT          | M5*16 BLACK | M5x16 |       |
| 4   |    | 62128-12211 | 1    | INSULATOR     |             |       |       |
| 5   |    | 62100-12220 | 1    | GASKET        |             |       |       |
| 6   |    | 11022-05300 | 2    | BOLT SW       |             | M5x30 |       |

## 2. Ref.2



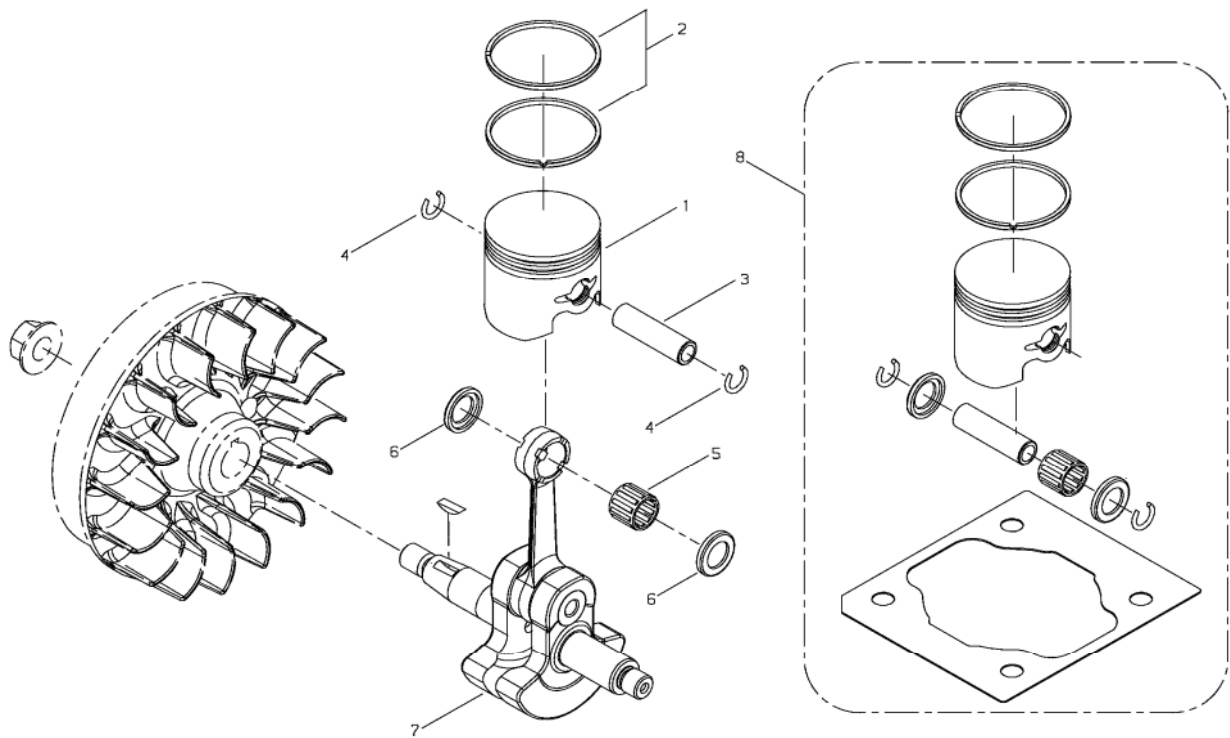
| KEY | LV | PART NUMBER | Q'TY | DESCRIPTION  | REMARKS | NOTE1 | NOTE2 |
|-----|----|-------------|------|--------------|---------|-------|-------|
| 1   |    | 62128-15010 | 1    | MUFFLER ASSY |         |       |       |
| 2   | •  | 62128-15400 | 1    | TAIL PLATE   |         |       |       |
| 3   | •  | 62100-15392 | 1    | TAIL PLATE   |         |       |       |
| 4   | •  | 62100-15370 | 1    | SCREEN       |         |       |       |
| 5   | •  | 62128-15410 | 1    | GASKET       |         |       |       |
| 6   | •  | 01211-04080 | 5    | SCREW SW     |         | M4x8  |       |
| 7   |    | 62128-15211 | 1    | GASKET       |         |       |       |
| 8   |    | 01020-05555 | 2    | BOLT         |         | M5x55 |       |
| 9   |    | 01610-05085 | 2    | WASHER       |         | 5mm   |       |
| 10  |    | 01020-05120 | 1    | BOLT         | M5*12   | M5x12 |       |

## 3. Ref.3



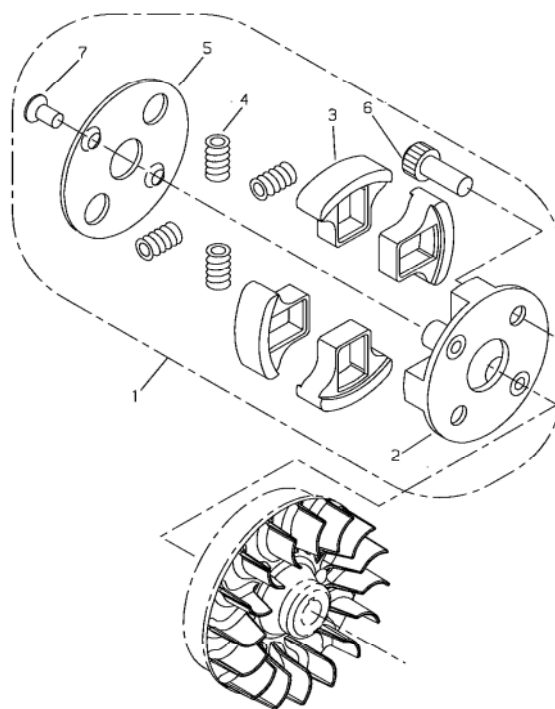
| KEY | LV | PART NUMBER | Q'TY | DESCRIPTION      | REMARKS      | NOTE1          | NOTE2 |
|-----|----|-------------|------|------------------|--------------|----------------|-------|
| 1   |    | 62128-21010 | 1    | CRANKCASE,S COMP |              |                |       |
| 2   | •  | 12900-62010 | 1    | BEARING          |              |                |       |
| 3   | •  | 12310-12002 | 1    | OIL SEAL         |              |                |       |
| 4   |    | 62128-21020 | 1    | CRANKCASE,M COMP |              |                |       |
| 5   | •  | 12900-62010 | 1    | BEARING          |              |                |       |
| 6   | •  | 12310-12002 | 1    | OIL SEAL         |              |                |       |
| 7   | •  | 12492-40080 | 4    | ROLLER           |              |                |       |
| 8   |    | 01020-05250 | 3    | BOLT             |              | M5x25          |       |
| 9   |    | 6212831010  | 1    | FAN COVER-C      |              |                |       |
| 10  | •  | 6212831110  | 1    | FAN COVER        |              |                |       |
| 11  | •  | 02036-06001 | 2    | BALL BEARING     | 6001DDUC3S27 |                |       |
| 12  | •  | 02432-28120 | 1    | SNAP RING        |              |                |       |
| 13  | •  | 62128-31211 | 1    | CLUTCH DRUM      |              |                |       |
| 14  | •  | 20000-31140 | 1    | SNAP RING        |              |                |       |
| 15  |    | 11022-05200 | 2    | BOLT SPW         |              | M5x20          |       |
| 16  |    | 62128-32110 | 1    | CYLINDER COVER   |              |                |       |
| 17  |    | 62128-32310 | 1    | MUFFLER COVER    |              |                |       |
| 18  |    | 11060-05203 | 4    | BOLT ADHESIVE    |              | M5x20          |       |
| 19  |    | 20024-31411 | 1    | JOINT            |              |                |       |
| 20  |    | 20024-31421 | 1    | FRONT CUSHION    |              |                |       |
| 21  |    | 20024-31431 | 1    | REAR CUSHION     |              |                |       |
| 22  |    | 62128-33140 | 1    | CAP              |              |                |       |
| 23  |    | 11022-05160 | 4    | BOLT SPW         |              | M5x16          |       |
| 24  |    | 11022-06280 | 1    | BOLT SPW         |              | M6x28          |       |
| 25  |    | 6212991330  | 1    | LABEL TRADE      |              | shindaiwa 282S |       |

4. Ref.4



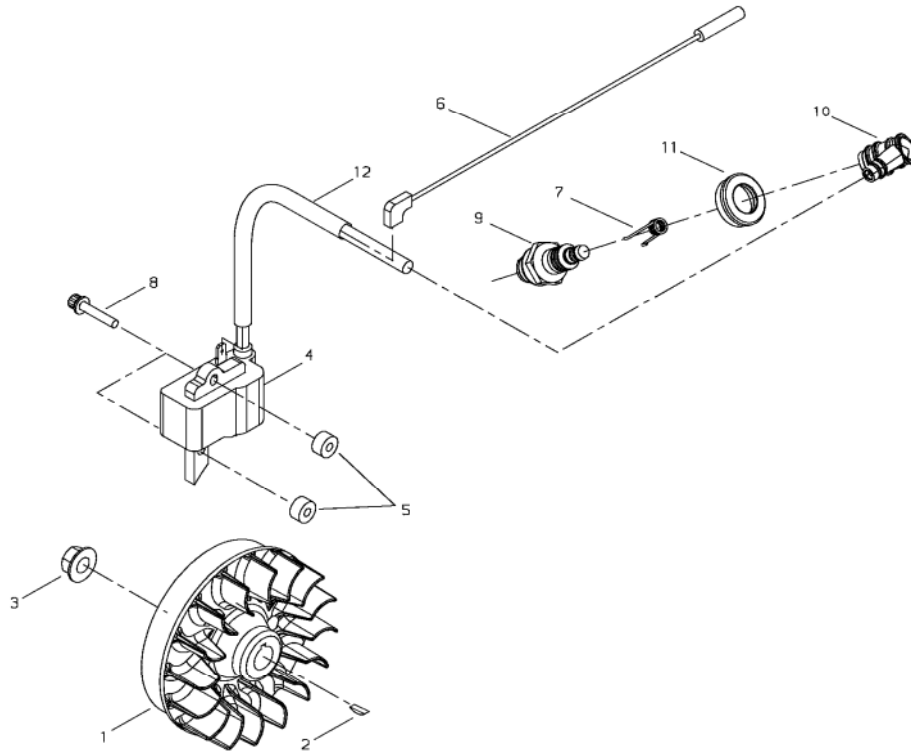
| KEY | LV | PART NUMBER | Q'TY | DESCRIPTION    | REMARKS | NOTE1 | NOTE2 |
|-----|----|-------------|------|----------------|---------|-------|-------|
| 8   |    | 60141-98310 | 1    | GEAR-S         |         |       |       |
| 1   | ▪  | 62128-41110 | 1    | PISTON         |         |       |       |
| 2   | ▪  | 62128-41120 | 2    | PISTON RING    |         |       |       |
| 3   | ▪  | 20024-41311 | 1    | PISTON PIN     |         |       |       |
| 4   | ▪  | 20000-41320 | 2    | SNAP RING      |         |       |       |
| 5   | ▪  | 62901-41230 | 1    | NEEDLE BEARING |         |       |       |
| 6   | ▪  | 37019-41240 | 2    | THRUST WASHER  |         |       |       |
| 7   |    | 62128-42010 | 1    | CRANKSHAFT     |         |       |       |

## 5. Ref.5



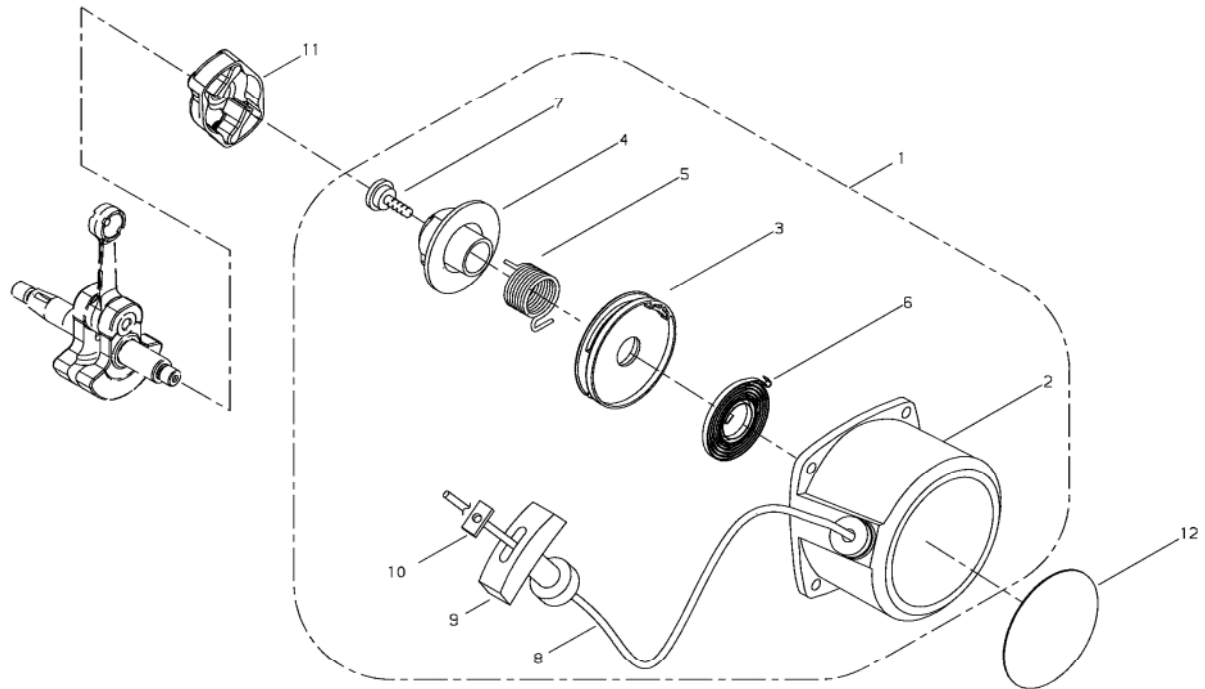
| KEY | LV | PART NUMBER | Q'TY | DESCRIPTION      | REMARKS | NOTE1 | NOTE2 |
|-----|----|-------------|------|------------------|---------|-------|-------|
| 1   |    | 70210-51100 | 1    | CLUTCH SHOE ASSY |         |       |       |
| 2   | •  | 20020-51112 | 1    | CLUTCH BOSS      |         |       |       |
| 3   | •  | 20020-51121 | 4    | CLUTCH SHOE      |         |       |       |
| 4   | •  | 20020-51131 | 4    | SPRING           |         |       |       |
| 5   | •  | 20020-51140 | 1    | PLATE            |         |       |       |
| 6   | •  | 20020-51150 | 2    | CLUTCH BOLT      |         |       |       |
| 7   | •  | 70210-51160 | 2    | SCREW FLAT       |         | M5    |       |

## 6. Ref.6



| KEY | LV | PART NUMBER | Q'TY | DESCRIPTION       | REMARKS | NOTE1        | NOTE2 |
|-----|----|-------------|------|-------------------|---------|--------------|-------|
| 1   |    | 62128-71110 | 1    | ROTOR             |         |              |       |
| 2   |    | 02403-03100 | 1    | KEY               | 3*10    | 3x10         |       |
| 3   |    | 20035-71220 | 1    | NUT               |         |              |       |
| 4   |    | 62128-71210 | 1    | COIL              |         |              |       |
| 5   |    | 70030-71620 | 1    | INSULATOR         |         |              |       |
| 6   |    | 14352-02100 | 1    | LEAD WIRE         |         | 0.5fmm2 L215 |       |
| 7   |    | 20000-72230 | 1    | SPRING SPARK PLUG |         |              |       |
| 8   |    | 11060-04204 | 2    | BOLT ADHESIVE     |         | M4x20        |       |
| 9   |    | 13000-13506 | 1    | SPARK PLUG BPMR6A |         | BPMR6A       |       |
| 10  |    | 22160-72220 | 1    | PLUG CAP          |         |              |       |
| 11  |    | 22160-72260 | 1    | COVER,CAP         |         |              |       |
| 12  |    | 62100-71310 | 1    | TUBE              |         |              |       |

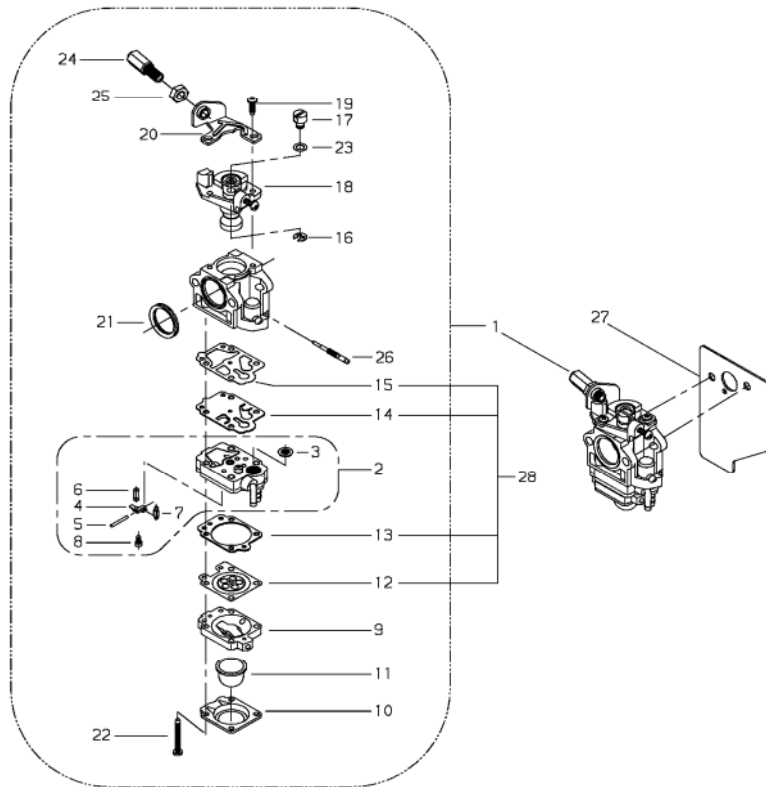
## 7. Ref.7



| KEY | LV | PART NUMBER | Q'TY | DESCRIPTION         | REMARKS | NOTE1 | NOTE2 |
|-----|----|-------------|------|---------------------|---------|-------|-------|
| 1   |    | 62129-75010 | 1    | RECOIL STARTER ASSY |         |       |       |
| 2   | •  | 62129-75110 | 1    | STARTER CASE        |         |       |       |
| 3   | •  | 62129-75120 | 1    | REEL                |         |       |       |
| 4   | •  | 62129-75310 | 1    | CAM                 |         |       |       |
| 5   | •  | 62129-75320 | 1    | COIL SPRING         |         |       |       |
| 6   | •  | 20024-75130 | 1    | RECOIL SPRING       |         |       |       |
| 7   | •  | 37013-75310 | 1    | SCREW               |         |       |       |
| 8   | •  | 62129-75140 | 1    | ROPE                |         |       |       |
| 9   | •  | 20010-75190 | 1    | STARTER KNOB        |         |       |       |
| 10  | •  | 20010-75210 | 1    | STOPPER             |         |       |       |
| 11  |    | 62129-75020 | 1    | STARTER PULLEY ASSY |         |       |       |
| 12  |    | 6213091320  | 1    | LABEL TRADE         |         |       |       |

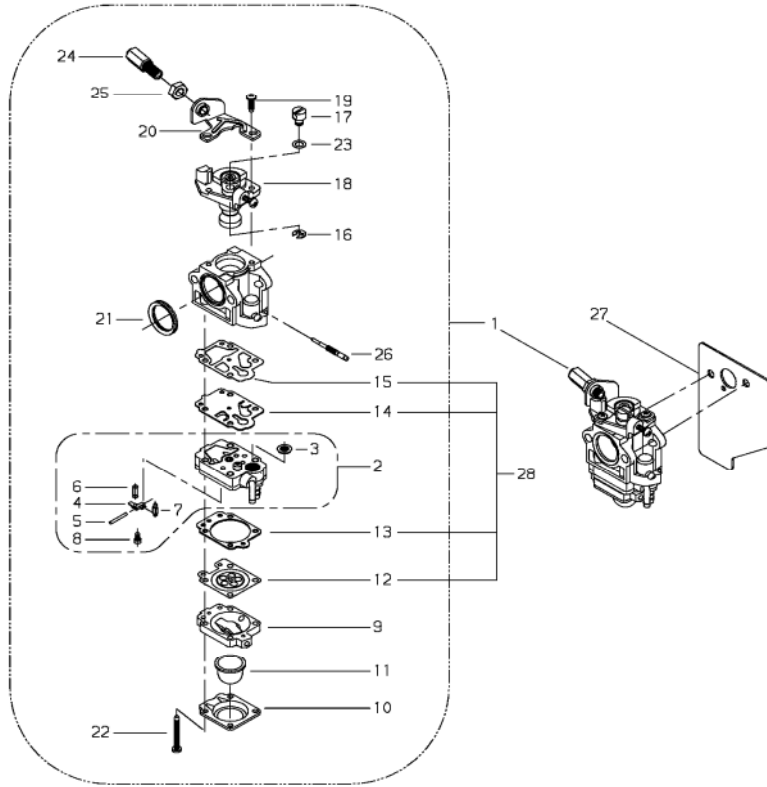


## 8. Ref.8



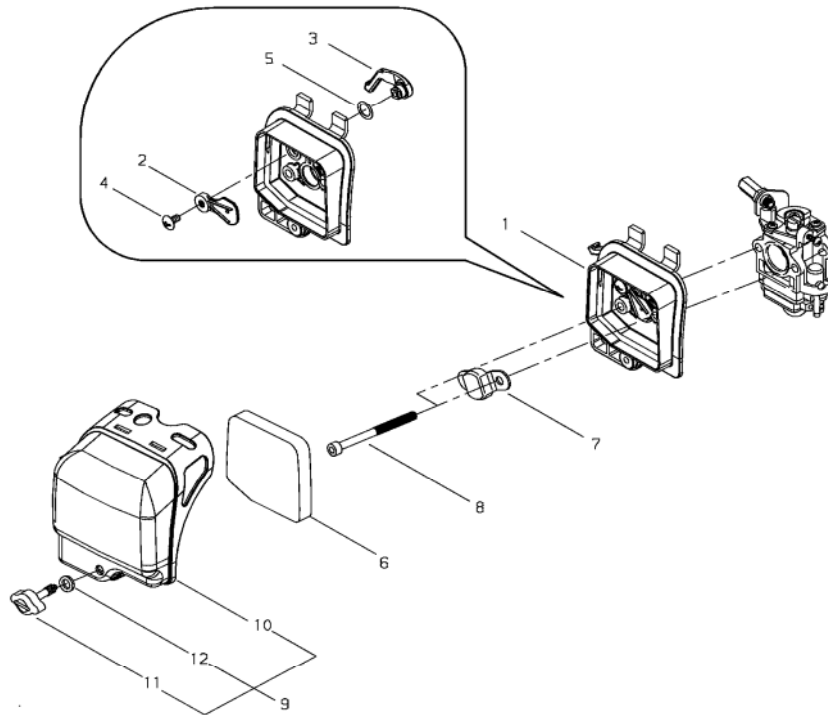
| KEY | LV  | PART NUMBER | Q'TY | DESCRIPTION     | REMARKS | NOTE1 | NOTE2 |
|-----|-----|-------------|------|-----------------|---------|-------|-------|
| 1   |     | 62128-81010 | 1    | CARBURETOR ASSY |         |       |       |
| 2   | •   | 20016-81410 | 1    | PUMP BODY COMP  |         |       |       |
| 3   | • • | 70030-81380 | 1    | SCREEN          |         |       |       |
| 4   | • • | 22100-81230 | 1    | LEVER, METERING |         |       |       |
| 5   | • • | 22100-81250 | 1    | PIN             |         |       |       |
| 6   | • • | 20016-81270 | 1    | SPRING          |         |       |       |
| 7   | • • | 20036-81440 | 1    | VALVE           |         |       |       |
| 8   | • • | 20016-81450 | 1    | SCREW           |         |       |       |
| 9   | •   | 20016-81420 | 1    | PUMP BASE COMP  |         |       |       |
| 10  | •   | 20016-81510 | 1    | PUMP COVER      |         |       |       |
| 11  | •   | 20036-81670 | 1    | PRIMER PUMP     |         |       |       |
| 12  | •   | 37145-81320 | 1    | DIAPHRAGM       |         |       |       |
| 13  | •   | 20016-81280 | 1    | GASKET          |         |       |       |
| 14  | •   | 70097-81320 | 1    | DIAPHRAGM       |         |       |       |
| 15  | •   | 70097-81310 | 1    | GASKET,PUMP     |         |       |       |
| 16  | •   | 20036-81195 | 1    | E RING          |         |       |       |
| 17  | •   | 72933-81450 | 1    | SWIVEL          |         |       |       |
| 18  | •   | 62128-81310 | 1    | THROTTLE VALVE  |         |       |       |
| 19  | •   | 70097-81290 | 2    | SCREW           |         |       |       |
| 20  | •   | 20089-81130 | 1    | BRACKET         |         |       |       |
| 21  | •   | 72933-81250 | 1    | RING GASKET     |         |       |       |
| 22  | •   | 20016-81140 | 4    | SCREW           |         |       |       |
| 23  | •   | 20089-81185 | 1    | WASHER          |         |       |       |
| 24  | •   | 20123-81120 | 1    | CABLE ADJUSTER  |         |       |       |
| 25  | •   | 20036-81120 | 1    | NUT             |         |       |       |
| 26  | •   | 62100-81320 | 1    | NEEDLE          |         |       |       |

8. Ref.8



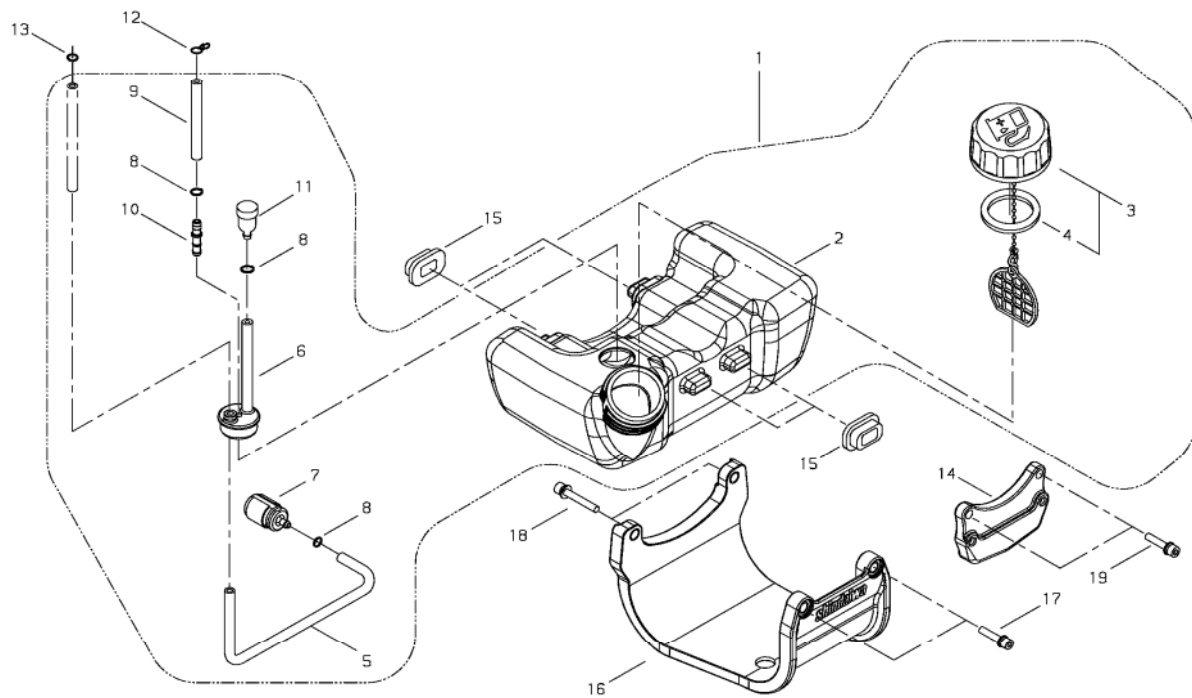
| KEY | LV | PART NUMBER | Q'TY | DESCRIPTION | REMARKS | NOTE1 | NOTE2 |
|-----|----|-------------|------|-------------|---------|-------|-------|
| 27  |    | 62128-81210 | 1    | GASKET      |         |       |       |
| 28  |    | 60141-98400 | 1    | GASKET SET  |         |       |       |

## 9. Ref.9



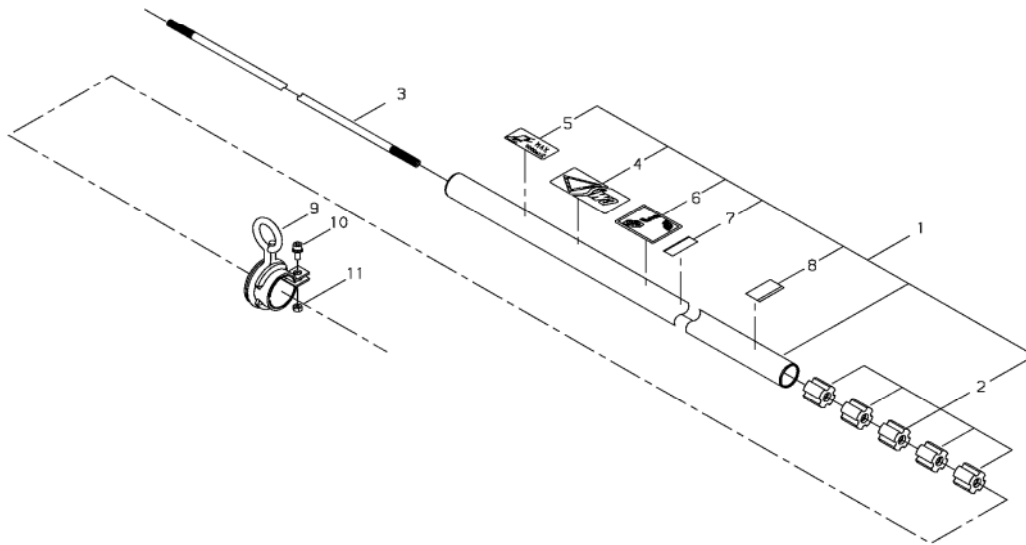
| KEY | LV | PART NUMBER | Q'TY | DESCRIPTION        | REMARKS | NOTE1 | NOTE2 |
|-----|----|-------------|------|--------------------|---------|-------|-------|
| 1   |    | 62100-82014 | 1    | CLEANER BODY ASSY  |         |       |       |
| 2   | ▪  | 62100-82330 | 1    | CHOKE PLATE        |         |       |       |
| 3   | ▪  | 62100-82320 | 1    | CHOKE LEVER        |         |       |       |
| 4   | ▪  | 01275-04122 | 1    | SCREW, TRUSS, T    |         | 4x12  |       |
| 5   | ▪  | 38110-82340 | 1    | WAVE WASHER        |         |       |       |
| 6   |    | 62100-82120 | 1    | FILTER             |         |       |       |
| 7   |    | 62100-82310 | 1    | BACK PLATE         |         |       |       |
| 8   |    | 01020-05605 | 2    | BOLT               |         | M5x60 |       |
| 9   |    | 62100-82031 | 1    | CLEANER COVER ASSY |         |       |       |
| 10  | ▪  | 62100-82130 | 1    | CLEANER COVER      |         |       |       |
| 11  | ▪  | 37033-82320 | 1    | KNOB               |         |       |       |
| 12  | ▪  | 23627-21220 | 1    | COLLAR             |         |       |       |

## 10. Ref.10



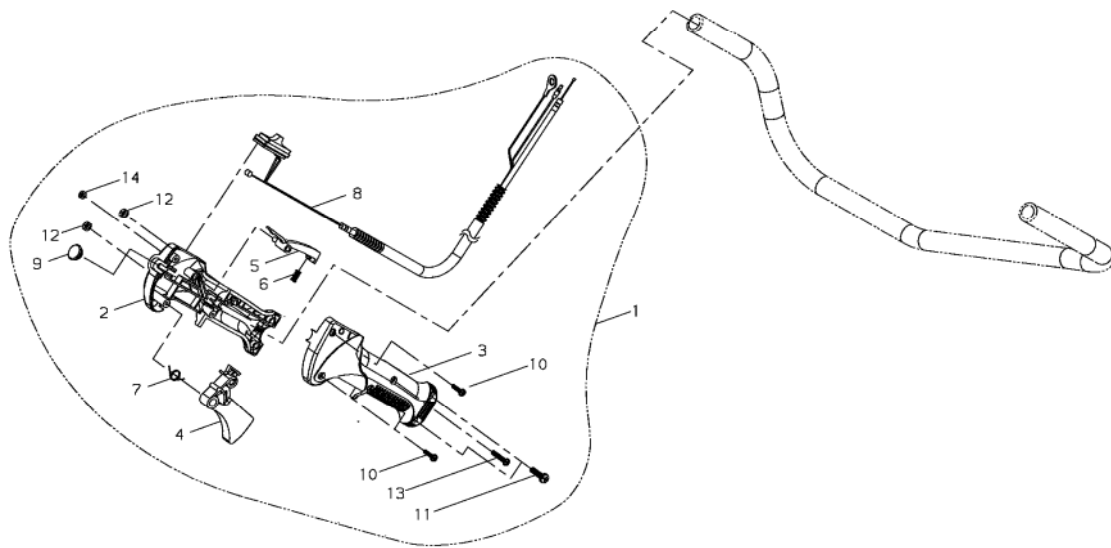
| KEY | LV | PART NUMBER | Q'TY | DESCRIPTION   | REMARKS | NOTE1 | NOTE2 |
|-----|----|-------------|------|---------------|---------|-------|-------|
| 2   |    | 62128-85110 | 1    | FUEL TANK     |         |       |       |
| 3   |    | 68204-85020 | 1    | FUEL CAP ASSY |         |       |       |
| 4   |    | 20000-85221 | 1    | GASKET        |         |       |       |
| 5   |    | 62035-85310 | 1    | FUEL PIPE     |         |       |       |
| 6   |    | 72933-85350 | 1    | GROMMET       |         |       |       |
| 7   |    | 22115-85401 | 1    | FUEL FILTER   |         |       |       |
| 8   |    | 20020-85540 | 3    | CLIP          |         |       |       |
| 9   |    | 70170-83311 | 1    | PIPE          |         |       |       |
| 10  |    | 72933-85620 | 1    | JOINT         |         |       |       |
| 11  |    | 20035-85522 | 1    | VALVE         |         |       |       |
| 12  |    | 37013-85310 | 1    | CLIP          |         |       |       |
| 13  |    | 20020-85540 | 1    | CLIP          |         |       |       |
| 14  |    | 62128-85210 | 1    | TANK BRACKET  |         |       |       |
| 15  |    | 62901-85220 | 4    | TANK CUSHION  |         |       |       |
| 16  |    | 62128-85310 | 1    | TANK GUARD    |         |       |       |
| 17  |    | 11022-05200 | 2    | BOLT SPW      |         | M5x20 |       |
| 18  |    | 11024-05400 | 2    | BOLT SW       |         | M5x40 |       |
| 19  |    | 11060-05203 | 2    | BOLT ADHESIVE |         | M5x20 |       |

## 11. Ref.11



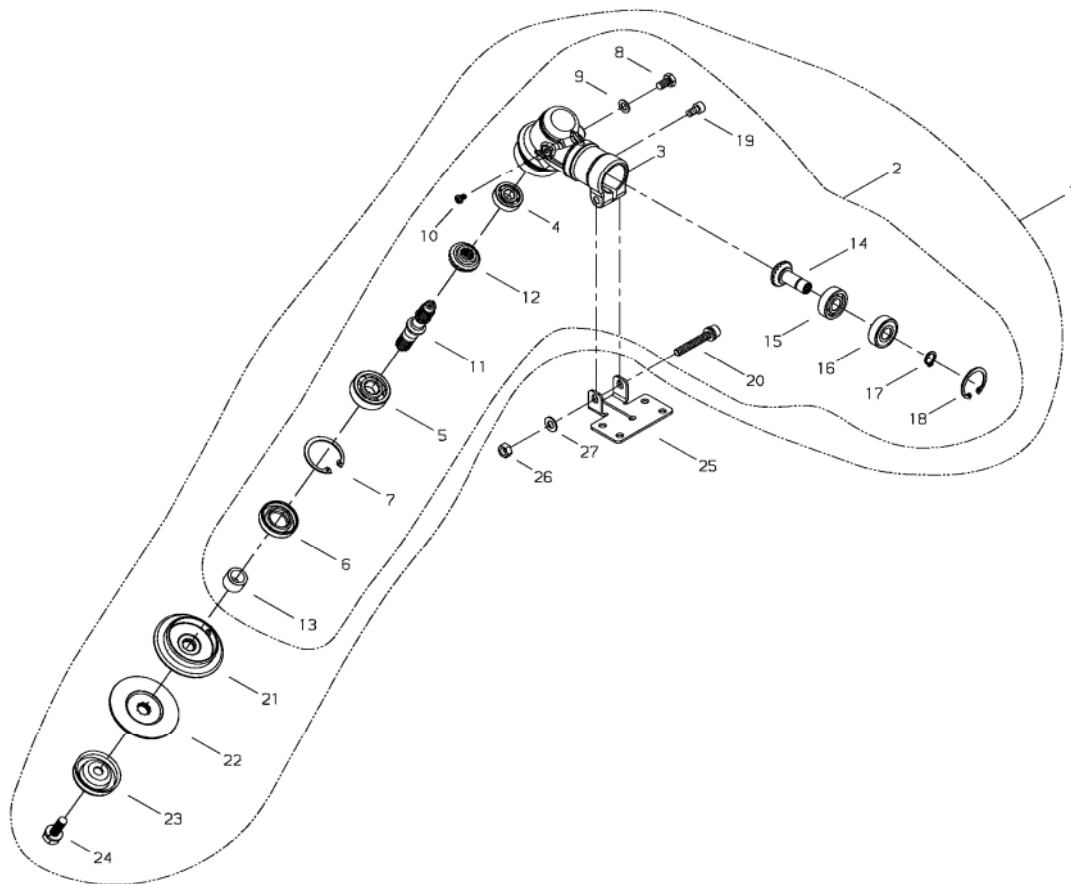
| KEY | LV | PART NUMBER | Q'TY | DESCRIPTION         | REMARKS | NOTE1 | NOTE2 |
|-----|----|-------------|------|---------------------|---------|-------|-------|
| 1   |    | 63091-62011 | 1    | OUTER PIPE-C        |         |       |       |
| 2   | •  | 63049-62120 | 5    | BUSH                |         |       |       |
| 3   |    | 72475-12400 | 1    | MAIN SHAFT SUB ASSY |         |       |       |
| 4   | •  | 19422-00010 | 1    | LABEL CAUTION       |         |       |       |
| 5   | •  | 19402-00236 | 1    | LABEL CAUTION       |         |       |       |
| 6   | •  | 19404-00037 | 1    | LABEL DECIBEL       |         |       |       |
| 7   | •  | 72017-12150 | 1    | HANDLE LABEL        |         |       |       |
| 8   | •  | 72005-12140 | 1    | CAUTION PLATE       |         |       |       |
| 9   |    | 22009-12210 | 1    | HANGER              |         |       |       |
| 10  |    | 11022-05120 | 1    | BOLT SPW            |         |       |       |
| 11  |    | 01500-05041 | 1    | NUT                 | M5      |       |       |

## 12. Ref.12



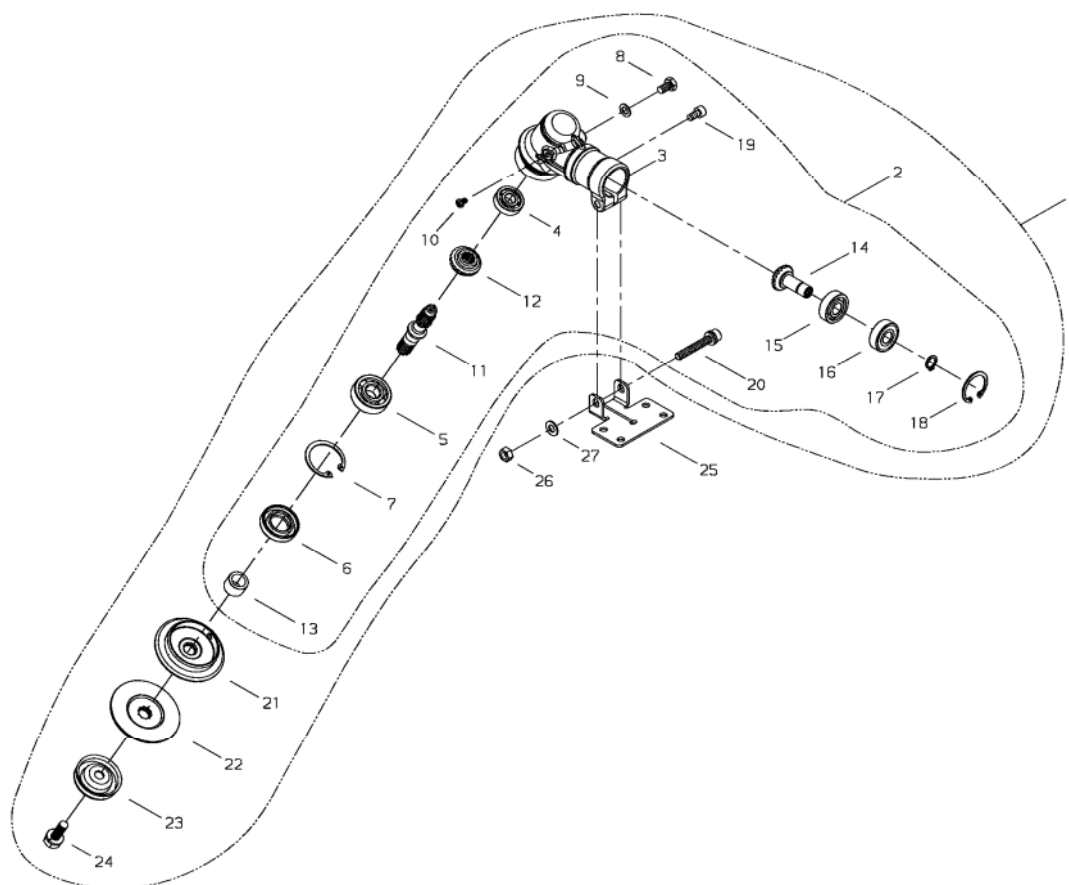
| KEY | LV | PART NUMBER | Q'TY | DESCRIPTION         | REMARKS | NOTE1 | NOTE2 |
|-----|----|-------------|------|---------------------|---------|-------|-------|
| 1   |    | 64122-64060 | 1    | THROTTLE LEVER ASSY |         |       |       |
| 2   | •  | 72550-14512 | 1    | BODY RIGHT          |         |       |       |
| 3   | •  | 64122-64310 | 1    | BODY,LEFT           |         |       |       |
| 4   | •  | 70871-65130 | 1    | LEVER               |         |       |       |
| 5   | •  | 70871-65140 | 1    | LOCK LEVER          |         |       |       |
| 6   | •  | 70871-65150 | 1    | COIL SPRING         |         |       |       |
| 7   | •  | 70871-65160 | 1    | COIL SPRING         |         |       |       |
| 8   | •  | 64117-64340 | 1    | THROTTLE CABLE ASSY |         |       |       |
| 9   | •  | 22150-33630 | 1    | PLUG                |         |       |       |
| 10  | •  | 70871-65311 | 3    | SCREW TAPPING       |         | 4*16  |       |
| 11  | •  | 70871-65320 | 2    | SCREW PM            |         | M5*20 |       |
| 12  | •  | 01501-05030 | 2    | NUT                 | M5      | M5    |       |
| 13  | •  | 70871-65330 | 1    | SCREW               |         | M4*23 |       |
| 14  | •  | 70871-65340 | 1    | NUT                 |         | M4    |       |

## 13. Ref.13



| KEY | LV  | PART NUMBER | Q'TY | DESCRIPTION       | REMARKS | NOTE1  | NOTE2 |
|-----|-----|-------------|------|-------------------|---------|--------|-------|
| 1   |     | 60142-98320 | 1    | GEAR CASE ASSY    |         |        |       |
| 2   | •   | 60141-98320 | 1    | GEAR CASE SUBASSY |         |        |       |
| 3   | • • | 63091-63110 | 1    | GEAR CASE         |         |        |       |
| 4   | • • | 12900-06092 | 1    | BEARING           |         | 609    |       |
| 5   | • • | 12900-62015 | 1    | BALL BEARING      |         | 6201   |       |
| 6   | • • | 22024-13121 | 1    | OIL SEAL          |         |        |       |
| 7   | • • | 02432-32120 | 1    | SNAP RING         |         | 32mm、C |       |
| 8   | • • | 01014-06100 | 1    | BOLT              |         | M6x10  |       |
| 9   | • • | 01610-06080 | 1    | WASHER            |         | 6mm    |       |
| 10  | • • | 11203-04060 | 1    | SCREW PM          |         | M4x6   |       |
| 11  | • • | 63091-63130 | 1    | GEAR SHAFT        |         |        |       |
| 12  | • • | 63091-63140 | 1    | BEVEL GEAR        |         |        |       |
| 13  | • • | 22000-13230 | 1    | COLLAR            |         |        |       |
| 14  | • • | 63091-63150 | 1    | BEVEL PINION      |         | φ8     |       |
| 15  | • • | 12900-60003 | 1    | BEARING           |         | 6000   |       |
| 16  | • • | 1290060005  | 1    | BEARING           |         | 6000Z  |       |
| 17  | • • | 02430-10100 | 1    | SNAP RING         |         | 10mm、C |       |
| 18  | • • | 02432-26120 | 1    | SNAP RING         |         | 26mm、C |       |
| 19  | • • | 01020-05100 | 1    | BOLT              |         | M5x10  |       |
| 20  | • • | 11022-06400 | 1    | BOLT SPW          |         | M6x40  |       |
| 21  | •   | 63091-63160 | 1    | HOLDER            |         |        |       |
| 22  | •   | 63091-63170 | 1    | HOLDER            |         |        |       |
| 23  | •   | 63092-63310 | 1    | BOLT GUARD        |         |        |       |
| 24  | •   | 11031-08220 | 1    | BOLT SW           |         | M8x22  |       |
| 25  |     | 63076-63310 | 1    | LOWER CLAMP       |         |        |       |
| 26  |     | 01500-06051 | 1    | NUT               | M6      | M6     |       |

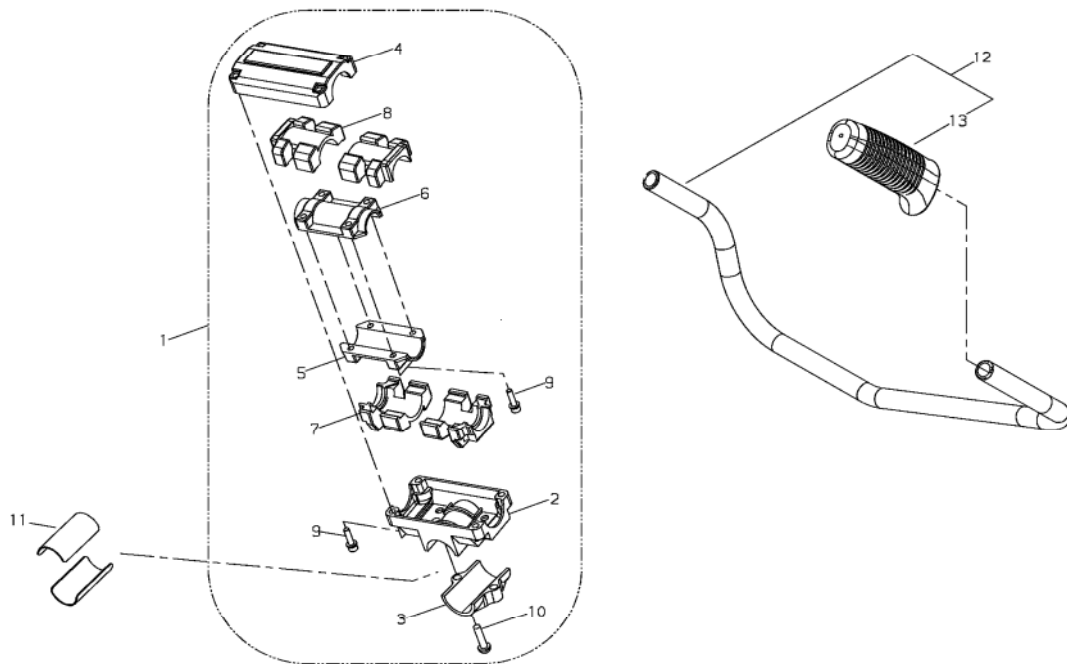
13. Ref.13



| KEY | LV | PART NUMBER | Q'TY | DESCRIPTION | REMARKS | NOTE1 | NOTE2 |
|-----|----|-------------|------|-------------|---------|-------|-------|
| 27  |    | 01613-06100 | 1    | WASHER      |         | 6mm   |       |

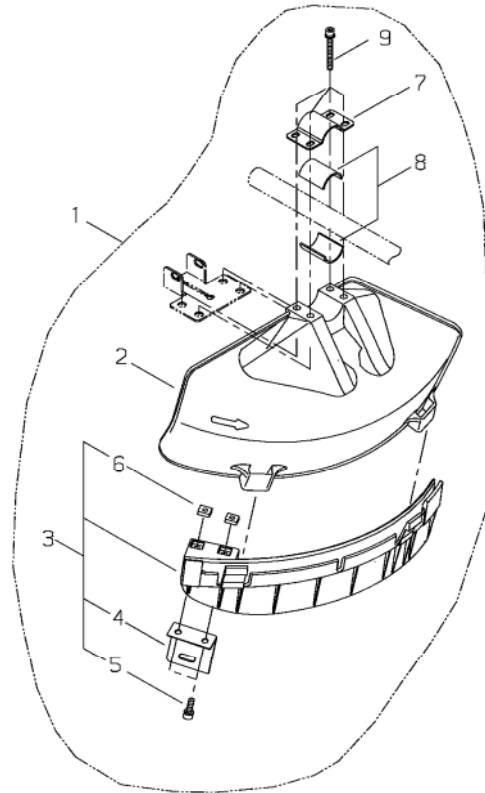


## 14. Ref.14



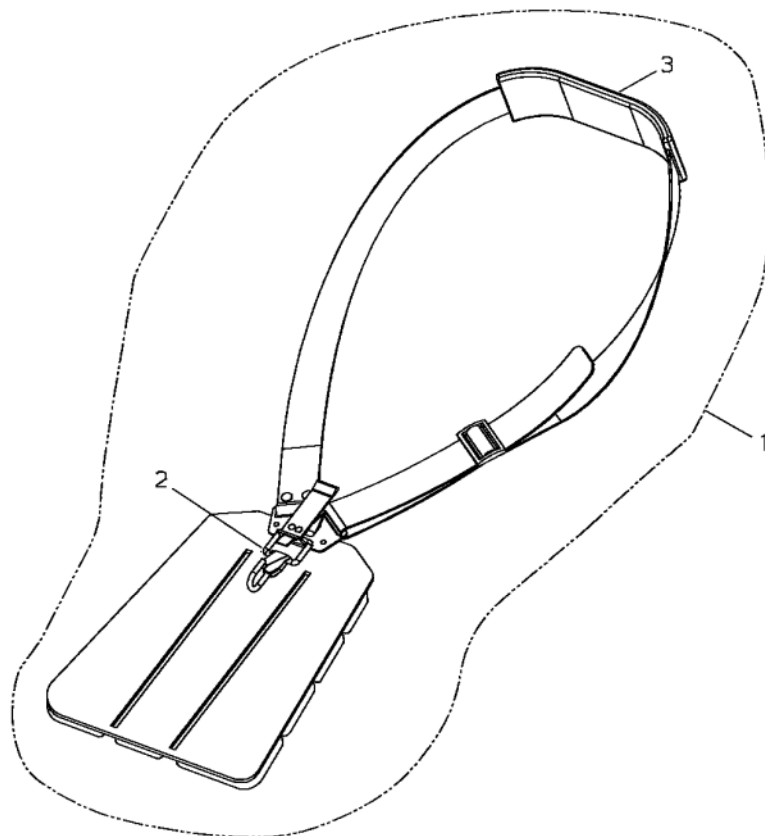
| KEY | LV | PART NUMBER | Q'TY | DESCRIPTION     | REMARKS | NOTE1 | NOTE2 |
|-----|----|-------------|------|-----------------|---------|-------|-------|
| 1   |    | 72555-14100 | 1    | BRACKET COMP    |         |       |       |
| 2   | •  | 72555-14110 | 1    | HANDLE BRACKET  |         |       |       |
| 3   | •  | 72555-14120 | 1    | LOWER CAP       |         |       |       |
| 4   | •  | 72555-14130 | 1    | UPPER CAP       |         |       |       |
| 5   | •  | 22015-14140 | 1    | LOWER CLAMP     |         |       |       |
| 6   | •  | 22015-14150 | 1    | UPPER CLAMP     |         |       |       |
| 7   | •  | 22015-14160 | 2    | LOWER CUSHION   |         |       |       |
| 8   | •  | 22015-14170 | 2    | UPPER CUSHION   |         |       |       |
| 9   | •  | 11022-05250 | 8    | BOLT SPW        |         | M5x25 |       |
| 10  | •  | 11210-06250 | 2    | SCREW BUTTON    |         | M6x25 |       |
| 11  |    | 72445-14190 | 2    | SPACER          |         |       |       |
| 12  |    | 72550-14200 | 1    | HANDLE SUB ASSY |         |       |       |
| 13  | •  | 72451-14320 | 1    | GRIP            |         |       |       |

## 15. Ref.15



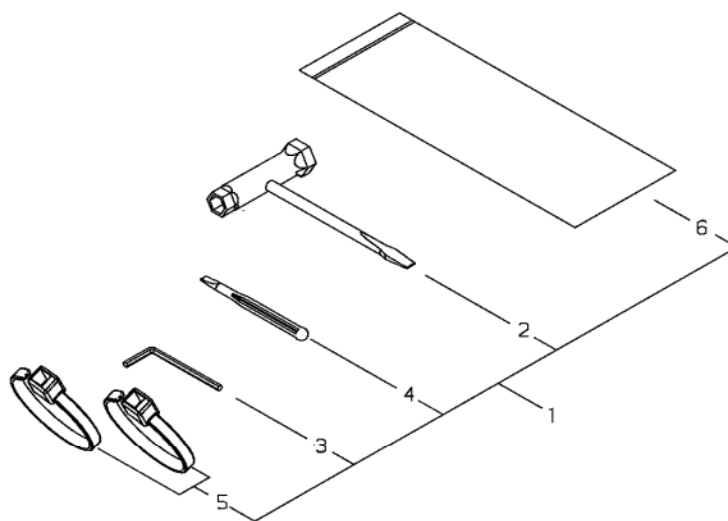
| KEY | LV  | PART NUMBER | Q'TY | DESCRIPTION    | REMARKS | NOTE1 | NOTE2 |
|-----|-----|-------------|------|----------------|---------|-------|-------|
| 1   |     | 64000-66311 | 1    | GUARD SET      |         |       |       |
| 2   | ▪   | 62903-66111 | 1    | GUARD          |         |       |       |
| 3   | ▪   | 62903-66332 | 1    | SUB GUARD ASSY |         |       |       |
| 4   | ▪ ▪ | 72480-16121 | 1    | CUTTER         |         |       |       |
| 5   | ▪ ▪ | 11020-05160 | 2    | BOLT SW        |         | M5x16 |       |
| 6   | ▪ ▪ | 22420-16120 | 2    | NUT            |         |       |       |
| 7   | ▪   | 72480-16210 | 1    | UPPER CLAMP    |         |       |       |
| 8   | ▪   | 72441-16220 | 2    | SPACER         |         |       |       |
| 9   | ▪   | 11022-05450 | 4    | BOLT SPW       |         | M5x45 |       |

## 16. Ref.16



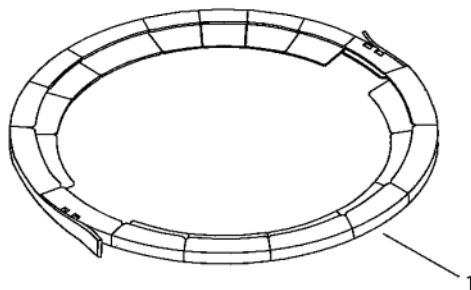
| KEY | LV | PART NUMBER | Q'TY | DESCRIPTION | REMARKS | NOTE1 | NOTE2 |
|-----|----|-------------|------|-------------|---------|-------|-------|
| 1   |    | 72474-17201 | 1    | STRAP ASSY  |         |       |       |
| 2   | •  | 22421-17130 | 1    | HOOK        |         |       |       |
| 3   | •  | 22007-17220 | 1    | PROTECTOR   |         |       |       |

## 17. Ref.17



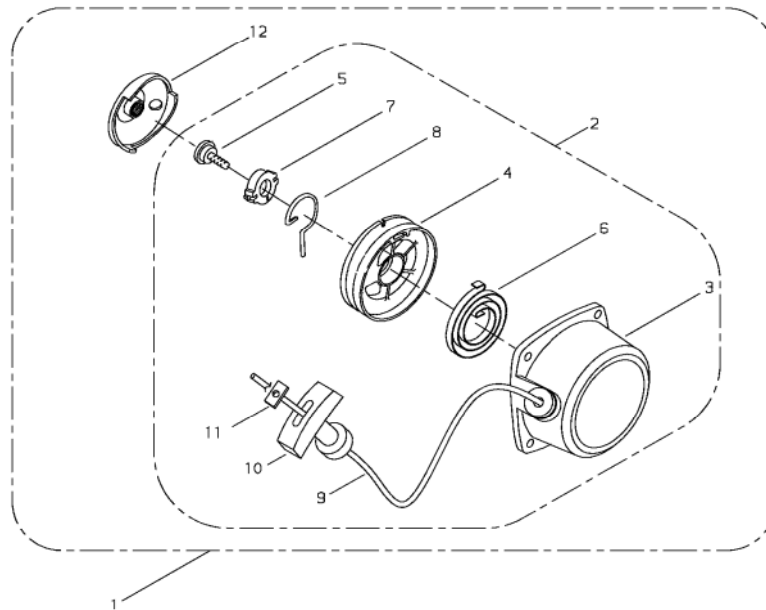
| KEY | LV | PART NUMBER | Q'TY | DESCRIPTION | REMARKS       | NOTE1             | NOTE2 |
|-----|----|-------------|------|-------------|---------------|-------------------|-------|
| 1   |    | 62130-92310 | 1    | TOOL SET    |               |                   |       |
| 2   | ▪  | 72320-91410 | 1    | PLUG WRENCH | 19-13         | 13x19mm           |       |
| 3   | ▪  | 09026-04001 | 1    | HEXA WRENCH | 4MM M5ㄗ       | 4mm M5            |       |
| 4   | ▪  | 62023-92010 | 1    | SCRAPER     |               |                   |       |
| 5   | ▪  | 72431-12190 | 2    | BAND        |               |                   |       |
| 6   | ▪  | 19639-01400 | 1    | BAG,PACKING | 140*200*T0.08 | G-8 140*200*t0.08 |       |

18. Ref.18



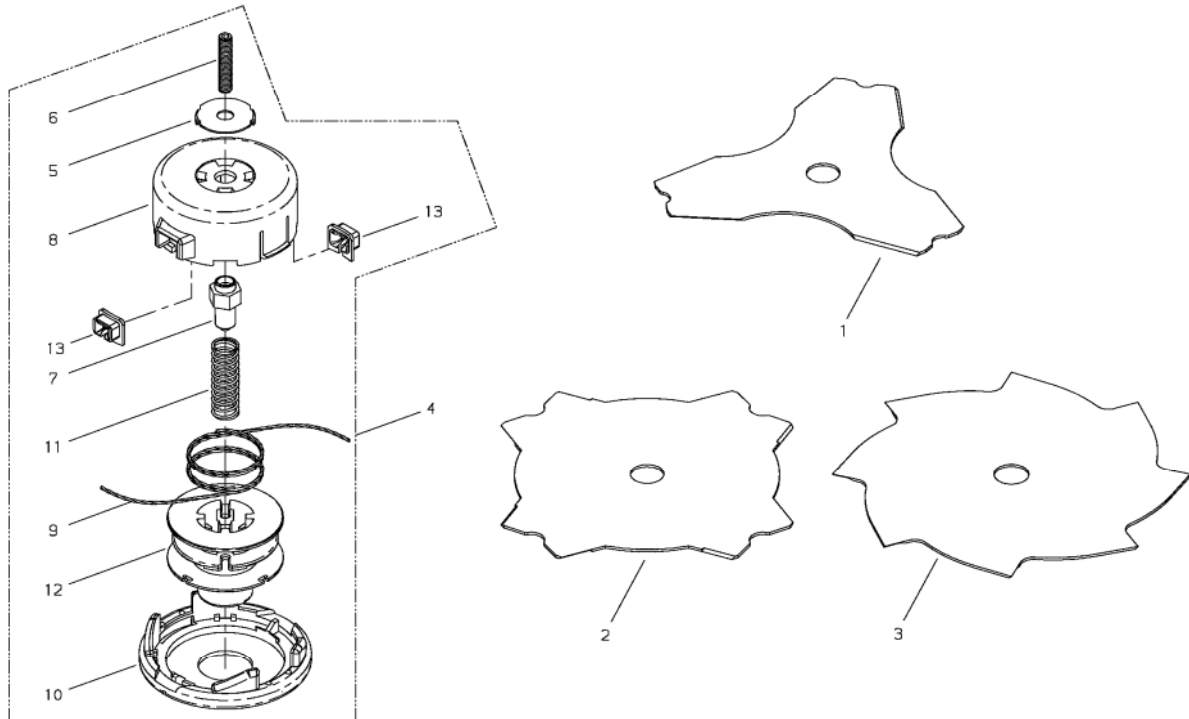
| KEY | LV | PART NUMBER | Q'TY | DESCRIPTION | REMARKS | NOTE1 | NOTE2 |
|-----|----|-------------|------|-------------|---------|-------|-------|
| 1   |    | 22550-92310 | 1    | BLADE COVER |         |       |       |

## 19. Ref.19



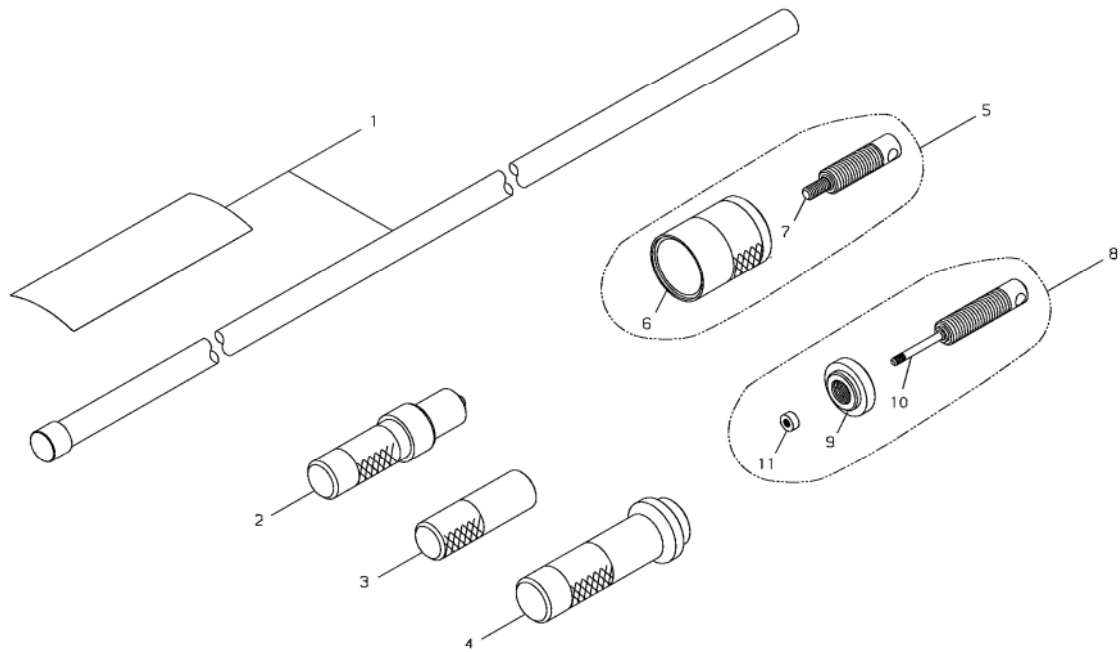
| KEY | LV  | PART NUMBER | Q'TY | DESCRIPTION         | REMARKS | NOTE1 | NOTE2 |
|-----|-----|-------------|------|---------------------|---------|-------|-------|
| 1   |     | 6014498310  | 1    | RECOIL STARTER SET  |         |       |       |
| 2   | •   | 62128-75010 | 1    | RECOIL STARTER ASSY |         |       |       |
| 3   | • • | 62128-75110 | 1    | STARTER CASE        |         |       |       |
| 4   | • • | 62907-75120 | 1    | REEL                |         |       |       |
| 5   | • • | 37013-75310 | 1    | SCREW               |         |       |       |
| 6   | • • | 70030-75130 | 1    | RECOIL SPRING       |         |       |       |
| 7   | • • | 37013-75320 | 1    | COLLAR              |         |       |       |
| 8   | • • | 37013-75330 | 1    | SWING ARM           |         |       |       |
| 9   | • • | 62128-75140 | 1    | ROPE                |         |       |       |
| 10  | • • | 20010-75190 | 1    | STARTER KNOB        |         |       |       |
| 11  | • • | 20010-75210 | 1    | STOPPER             |         |       |       |
| 12  | •   | 37013-75210 | 1    | STARTER PULLEY      |         |       |       |

## 20. Ref.20



| KEY | LV | PART NUMBER | Q'TY | DESCRIPTION  | REMARKS | NOTE1   | NOTE2 |
|-----|----|-------------|------|--------------|---------|---------|-------|
| 1   |    | 72430-92142 | 1    | TRIPLE SAW   |         |         |       |
| 2   |    | 60903-98320 | 1    | CROSS SAW    |         |         |       |
| 3   |    | 60903-98310 | 1    | EDDY SAW     |         |         |       |
| 4   |    | 60144-98330 | 1    | TRIMMER HEAD |         |         |       |
| 5   | •  | 72562-15180 | 1    | PLATE        |         |         |       |
| 6   | •  | 78820-04310 | 1    | BOLT         |         | M8x1.25 |       |
| 7   | •  | 78820-04320 | 1    | NUT          |         | M8x1.25 |       |
| 8   | •  | 78820-04330 | 1    | HOUSING      |         |         |       |
| 9   | •  | 60144-98340 | 1    | NYLON CORD   |         | φ3.3x2m |       |
| 10  | •  | 78820-04340 | 1    | COVER        |         |         |       |
| 11  | •  | 72562-15170 | 1    | SPRING       |         |         |       |
| 12  | •  | 72562-15140 | 1    | SPOOL        |         |         |       |
| 13  | •  | 72562-15150 | 2    | EYELET       |         |         |       |

## 21. Ref.21



| KEY | LV | PART NUMBER | Q'TY | DESCRIPTION      | REMARKS | NOTE1 | NOTE2 |
|-----|----|-------------|------|------------------|---------|-------|-------|
| 1   |    | 22000-96101 | 1    | ROD BUSHING ASSY |         |       |       |
| 2   |    | 60141-98350 | 1    | ROD              |         |       |       |
| 3   |    | 60141-98360 | 1    | ROD              |         |       |       |
| 4   |    | 60141-98370 | 1    | ROD              |         |       |       |
| 5   |    | 22000-96501 | 1    | PULLER ASSY      |         |       |       |
| 6   | •  | 22000-96510 | 1    | HOLDER           |         |       |       |
| 7   | •  | 22000-96521 | 1    | BOLT             |         |       |       |
| 8   |    | 22000-96601 | 1    | PULLER ASSY      |         |       |       |
| 9   | •  | 22000-96610 | 1    | HOLDER           |         |       |       |
| 10  | •  | 22000-96622 | 1    | BOLT             |         |       |       |
| 11  | •  | 22000-96630 | 1    | NUT              |         |       |       |



**Index**

| <b>Patrs Number</b> | <b>Key No.</b> | <b>Patrs Number</b> | <b>Key No.</b> | <b>Patrs Number</b> | <b>Key No.</b> |
|---------------------|----------------|---------------------|----------------|---------------------|----------------|
| 01014-06100         | 13 - 8         | 14352-02100         | 6 - 6          | 22000-96630         | 21 - 11        |
| 01020-05100         | 13 - 19        | 19402-00236         | 11 - 5         | 22007-17220         | 16 - 3         |
| 01020-05120         | 2 - 10         | 19404-00037         | 11 - 6         | 22009-12210         | 11 - 9         |
| 01020-05160         | 1 - 3          | 19422-00010         | 11 - 4         | 22015-14140         | 14 - 5         |
| 01020-05250         | 3 - 8          | 19639-01400         | 17 - 6         | 22015-14150         | 14 - 6         |
| 01020-05555         | 2 - 8          | 20000-31140         | 3 - 14         | 22015-14160         | 14 - 7         |
| 01020-05605         | 9 - 8          | 20000-41320         | 4 - 4          | 22015-14170         | 14 - 8         |
| 01211-04080         | 2 - 6          | 20000-72230         | 6 - 7          | 22024-13121         | 13 - 6         |
| 01275-04122         | 9 - 4          | 20000-85221         | 10 - 4         | 22100-81230         | 8 - 4          |
| 01500-05041         | 11 - 11        | 20010-75190         | 19 - 10        | 22100-81250         | 8 - 5          |
| 01500-06051         | 13 - 26        | 20010-75190         | 7 - 9          | 22115-85401         | 10 - 7         |
| 01501-05030         | 12 - 12        | 20010-75210         | 19 - 11        | 22150-33630         | 12 - 9         |
| 01610-05085         | 2 - 9          | 20010-75210         | 7 - 10         | 22160-72220         | 6 - 10         |
| 01610-06080         | 13 - 9         | 20016-81140         | 8 - 22         | 22160-72260         | 6 - 11         |
| 01613-06100         | 13 - 27        | 20016-81270         | 8 - 6          | 22420-16120         | 15 - 6         |
| 02036-06001         | 3 - 11         | 20016-81280         | 8 - 13         | 22421-17130         | 16 - 2         |
| 02403-03100         | 6 - 2          | 20016-81410         | 8 - 2          | 22550-92310         | 18 - 1         |
| 02430-10100         | 13 - 17        | 20016-81420         | 8 - 9          | 23627-21220         | 9 - 12         |
| 02432-26120         | 13 - 18        | 20016-81450         | 8 - 8          | 37013-75210         | 19 - 12        |
| 02432-28120         | 3 - 12         | 20016-81510         | 8 - 10         | 37013-75310         | 19 - 5         |
| 02432-32120         | 13 - 7         | 20020-51112         | 5 - 2          | 37013-75310         | 7 - 7          |
| 09026-04001         | 17 - 3         | 20020-51121         | 5 - 3          | 37013-75320         | 19 - 7         |
| 11020-05160         | 15 - 5         | 20020-51131         | 5 - 4          | 37013-75330         | 19 - 8         |
| 11022-05120         | 11 - 10        | 20020-51140         | 5 - 5          | 37013-85310         | 10 - 12        |
| 11022-05160         | 3 - 23         | 20020-51150         | 5 - 6          | 37019-41240         | 4 - 6          |
| 11022-05200         | 10 - 17        | 20020-85540         | 10 - 8         | 37033-82320         | 9 - 11         |
| 11022-05200         | 3 - 15         | 20020-85540         | 10 - 13        | 37145-81320         | 8 - 12         |
| 11022-05250         | 14 - 9         | 20024-31411         | 3 - 19         | 38110-82340         | 9 - 5          |
| 11022-05300         | 1 - 6          | 20024-31421         | 3 - 20         | 60141-98310         | 4 - 8          |
| 11022-05450         | 15 - 9         | 20024-31431         | 3 - 21         | 60141-98320         | 13 - 2         |
| 11022-06280         | 3 - 24         | 20024-41311         | 4 - 3          | 60141-98350         | 21 - 2         |
| 11022-06400         | 13 - 20        | 20024-75130         | 7 - 6          | 60141-98360         | 21 - 3         |
| 11024-05400         | 10 - 18        | 20035-71220         | 6 - 3          | 60141-98370         | 21 - 4         |
| 11031-08220         | 13 - 24        | 20035-85522         | 10 - 11        | 60141-98400         | 8 - 28         |
| 11060-04204         | 6 - 8          | 20036-81120         | 8 - 25         | 60142-98320         | 13 - 1         |
| 11060-05203         | 10 - 19        | 20036-81195         | 8 - 16         | 6014498310          | 19 - 1         |
| 11060-05203         | 3 - 18         | 20036-81440         | 8 - 7          | 60144-98330         | 20 - 4         |
| 11203-04060         | 13 - 10        | 20036-81670         | 8 - 11         | 60144-98340         | 20 - 9         |
| 11210-06250         | 14 - 10        | 20089-81130         | 8 - 20         | 60903-98310         | 20 - 3         |
| 12310-12002         | 3 - 3          | 20089-81185         | 8 - 23         | 60903-98320         | 20 - 2         |
| 12310-12002         | 3 - 6          | 20123-81120         | 8 - 24         | 62023-92010         | 17 - 4         |
| 12492-40080         | 3 - 7          | 22000-13230         | 13 - 13        | 62035-85310         | 10 - 5         |
| 12900-06092         | 13 - 4         | 22000-96101         | 21 - 1         | 62100-12220         | 1 - 5          |
| 12900-60003         | 13 - 15        | 22000-96501         | 21 - 5         | 62100-15370         | 2 - 4          |
| 1290060005          | 13 - 16        | 22000-96510         | 21 - 6         | 62100-15392         | 2 - 3          |
| 12900-62010         | 3 - 2          | 22000-96521         | 21 - 7         | 62100-71310         | 6 - 12         |
| 12900-62010         | 3 - 5          | 22000-96601         | 21 - 8         | 62100-81320         | 8 - 26         |
| 12900-62015         | 13 - 5         | 22000-96610         | 21 - 9         | 62100-82014         | 9 - 1          |
| 13000-13506         | 6 - 9          | 22000-96622         | 21 - 10        | 62100-82031         | 9 - 9          |

**Index**

| <b>Patrs Number</b> | <b>Key No.</b> | <b>Patrs Number</b> | <b>Key No.</b> | <b>Patrs Number</b> | <b>Key No.</b> |
|---------------------|----------------|---------------------|----------------|---------------------|----------------|
| 62100-82120         | 9 - 6          | 63049-62120         | 11 - 2         | 72555-14130         | 14 - 4         |
| 62100-82130         | 9 - 10         | 63076-63310         | 13 - 25        | 72562-15140         | 20 - 12        |
| 62100-82310         | 9 - 7          | 63091-62011         | 11 - 1         | 72562-15150         | 20 - 13        |
| 62100-82320         | 9 - 3          | 63091-63110         | 13 - 3         | 72562-15170         | 20 - 11        |
| 62100-82330         | 9 - 2          | 63091-63130         | 13 - 11        | 72562-15180         | 20 - 5         |
| 62128-12010         | 1 - 1          | 63091-63140         | 13 - 12        | 72933-81250         | 8 - 21         |
| 62128-12120         | 1 - 2          | 63091-63150         | 13 - 14        | 72933-81450         | 8 - 17         |
| 62128-12211         | 1 - 4          | 63091-63160         | 13 - 21        | 72933-85350         | 10 - 6         |
| 62128-15010         | 2 - 1          | 63091-63170         | 13 - 22        | 72933-85620         | 10 - 10        |
| 62128-15211         | 2 - 7          | 63092-63310         | 13 - 23        | 78820-04310         | 20 - 6         |
| 62128-15400         | 2 - 2          | 64000-66311         | 15 - 1         | 78820-04320         | 20 - 7         |
| 62128-15410         | 2 - 5          | 64117-64340         | 12 - 8         | 78820-04330         | 20 - 8         |
| 62128-21010         | 3 - 1          | 64122-64060         | 12 - 1         | 78820-04340         | 20 - 10        |
| 62128-21020         | 3 - 4          | 64122-64310         | 12 - 3         |                     |                |
| 6212831010          | 3 - 9          | 68204-85020         | 10 - 3         |                     |                |
| 6212831110          | 3 - 10         | 70030-71620         | 6 - 5          |                     |                |
| 62128-31211         | 3 - 13         | 70030-75130         | 19 - 6         |                     |                |
| 62128-32110         | 3 - 16         | 70030-81380         | 8 - 3          |                     |                |
| 62128-32310         | 3 - 17         | 70097-81290         | 8 - 19         |                     |                |
| 62128-33140         | 3 - 22         | 70097-81310         | 8 - 15         |                     |                |
| 62128-41110         | 4 - 1          | 70097-81320         | 8 - 14         |                     |                |
| 62128-41120         | 4 - 2          | 70170-83311         | 10 - 9         |                     |                |
| 62128-42010         | 4 - 7          | 70210-51100         | 5 - 1          |                     |                |
| 62128-71110         | 6 - 1          | 70210-51160         | 5 - 7          |                     |                |
| 62128-71210         | 6 - 4          | 70871-65130         | 12 - 4         |                     |                |
| 62128-75010         | 19 - 2         | 70871-65140         | 12 - 5         |                     |                |
| 62128-75110         | 19 - 3         | 70871-65150         | 12 - 6         |                     |                |
| 62128-75140         | 19 - 9         | 70871-65160         | 12 - 7         |                     |                |
| 62128-81010         | 8 - 1          | 70871-65311         | 12 - 10        |                     |                |
| 62128-81210         | 8 - 27         | 70871-65320         | 12 - 11        |                     |                |
| 62128-81310         | 8 - 18         | 70871-65330         | 12 - 13        |                     |                |
| 62128-85110         | 10 - 2         | 70871-65340         | 12 - 14        |                     |                |
| 62128-85210         | 10 - 14        | 72005-12140         | 11 - 8         |                     |                |
| 62128-85310         | 10 - 16        | 72017-12150         | 11 - 7         |                     |                |
| 62129-75010         | 7 - 1          | 72320-91410         | 17 - 2         |                     |                |
| 62129-75020         | 7 - 11         | 72430-92142         | 20 - 1         |                     |                |
| 62129-75110         | 7 - 2          | 72431-12190         | 17 - 5         |                     |                |
| 62129-75120         | 7 - 3          | 72441-16220         | 15 - 8         |                     |                |
| 62129-75140         | 7 - 8          | 72445-14190         | 14 - 11        |                     |                |
| 62129-75310         | 7 - 4          | 72451-14320         | 14 - 13        |                     |                |
| 62129-75320         | 7 - 5          | 72474-17201         | 16 - 1         |                     |                |
| 6212991330          | 3 - 25         | 72475-12400         | 11 - 3         |                     |                |
| 6213091320          | 7 - 12         | 72480-16121         | 15 - 4         |                     |                |
| 62130-92310         | 17 - 1         | 72480-16210         | 15 - 7         |                     |                |
| 62901-41230         | 4 - 5          | 72550-14200         | 14 - 12        |                     |                |
| 62901-85220         | 10 - 15        | 72550-14512         | 12 - 2         |                     |                |
| 62903-66111         | 15 - 2         | 72555-14100         | 14 - 1         |                     |                |
| 62903-66332         | 15 - 3         | 72555-14110         | 14 - 2         |                     |                |
| 62907-75120         | 19 - 4         | 72555-14120         | 14 - 3         |                     |                |

# YAMABIKO CORPORATION

7-2 SUEHIROCHO 1-CHOME, OHME, TOKYO 198-8760, JAPAN  
PHONE: 81-428-32-6118. FAX: 81-428-32-6145.

**shindaiwa<sup>®</sup>**

EC2  
No.