

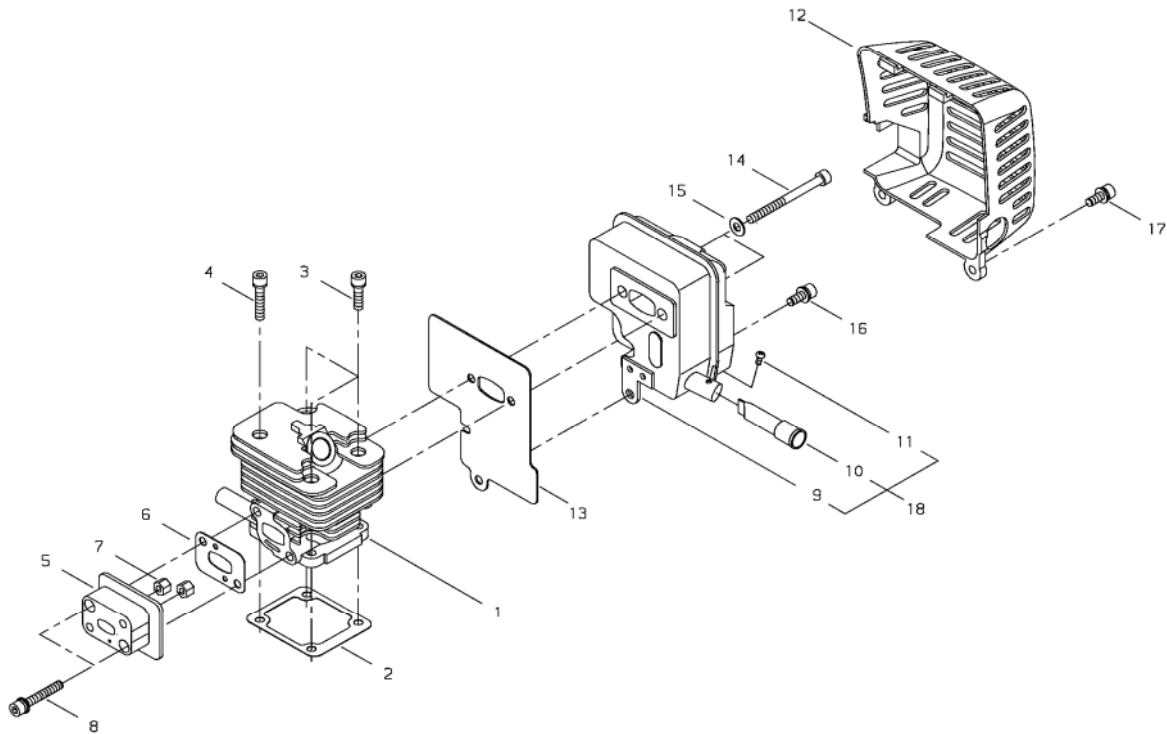
shindaiwa[®]

PARTS CATALOGUE

BRUSHCUTTER C270 AUS

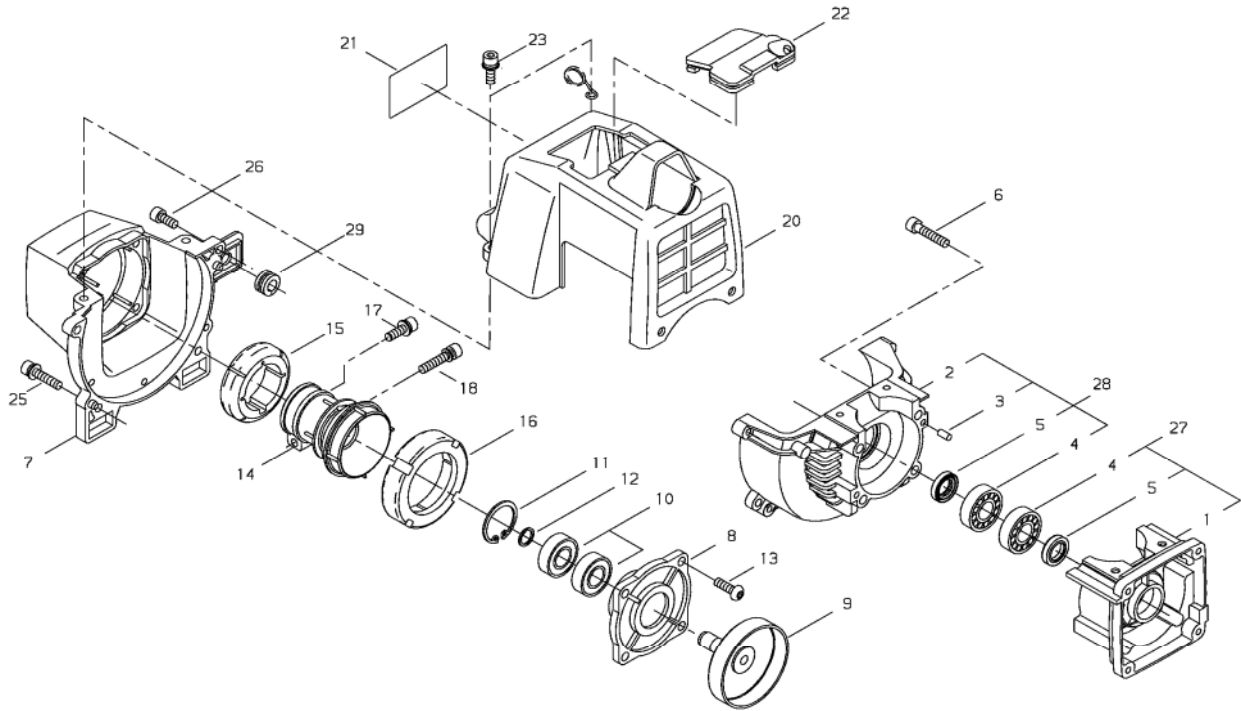
C270 AUS

1. CYLINDER, MUFFLER



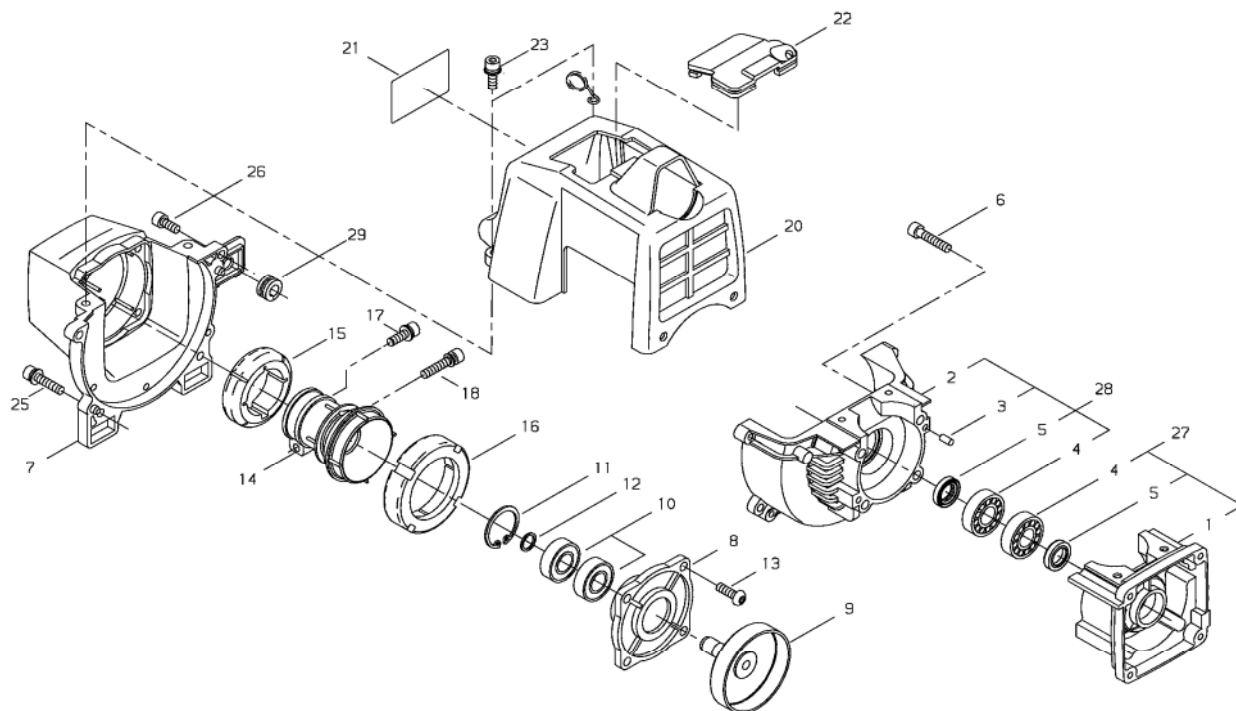
KEY	LV	PART NUMBER	Q'TY	DESCRIPTION	REMARKS	NOTE1	NOTE2
1		20024-12110	1	CYLINDER			
2		62074-12120	1	GASKET CYLINDER			
3		11020-05160	3	BOLT SW		M5x16	
4		11020-05300	1	BOLT SW		M5x30	
5		70244-12210	1	INSULATOR			
6		20024-12221	1	GASKET INSULATOR			
7		20024-12260	2	NUT			
8		11022-05200	2	BOLT SPW		M5x20	
18		70103-15100	1	MUFFLER SUB ASSY			
9	•	70103-15110	1	MUFFLER			
10	•	70103-15150	1	SPARK ARRESTER			
11	•	01270-03062	1	SCREW TAPPING		3x6	
12		70102-15180	1	MUFFLER GUARD			
13		20024-15210	1	GASKET MUFFLER			
14		01020-05550	2	BOLT		M5x55	
15		01610-05080	2	WASHER		5mm	
16		11022-05120	1	BOLT SPW		M5x12	
17		11022-05160	2	BOLT SPW		M5x16	

2. CRANKCASE



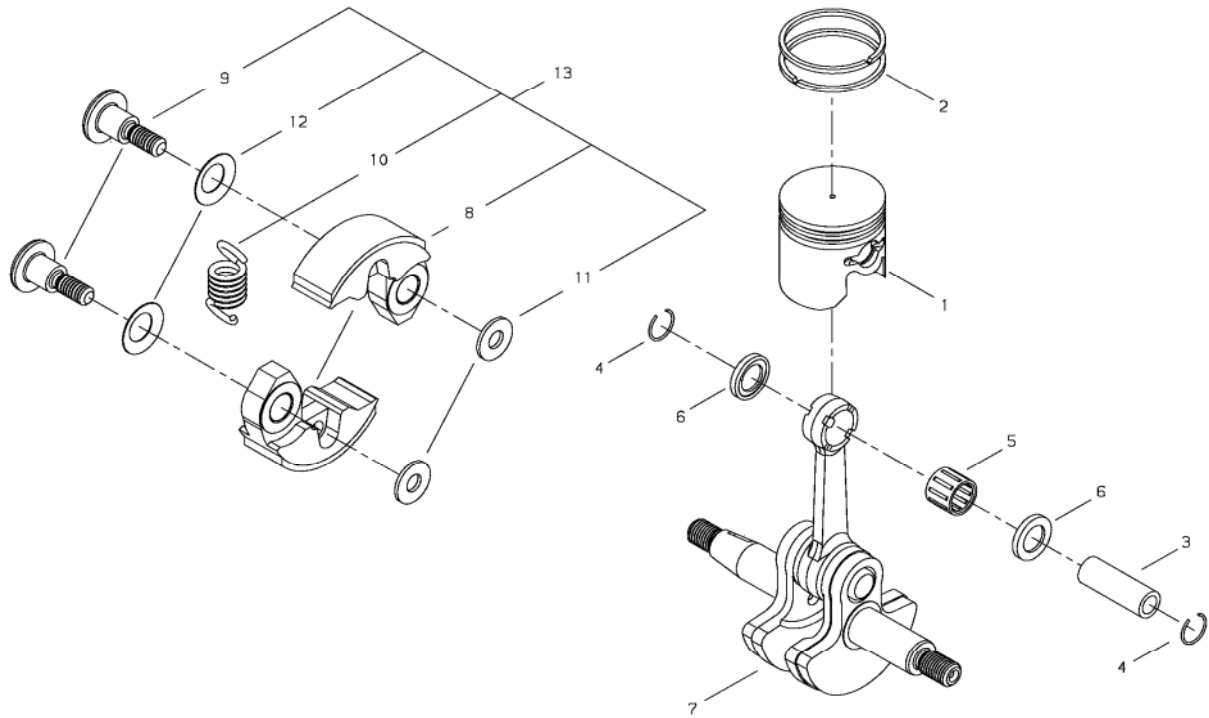
KEY	LV	PART NUMBER	Q'TY	DESCRIPTION	REMARKS	NOTE1	NOTE2
27		62073-21010	1	CRANK CASE S COMP			
1	▪	20024-21110	1	CRANK CASE S			
4	▪	12900-62010	1	BEARING		6201,C3	
5	▪	20000-21211	1	OIL SEAL			
28		62073-21020	1	CRANK CASE M COMP			
2	▪	20024-21120	1	CRANK CASE M			
3	▪	12492-50100	2	ROLLER			
4	▪	12900-62010	1	BEARING		6201,C3	
5	▪	20000-21211	1	OIL SEAL			
6		01020-05250	4	BOLT		M5x25	
7		70102-31110	1	FAN COVER			
8		20024-31130	1	CLUTCH CASE			
9		72575-98021	1	CLUTCH DRUM			
10		02036-06001	2	BALL BEARING	6001DDUC3S27	6001DDU C3 S27	
11		02432-28120	1	SNAP RING			
12		20000-31140	1	SNAP RING			
13		11210-05160	4	SCREW BUTTON		M5x16	
14		20024-31411	1	JOINT			
15		20024-31421	1	FRONT CUSHION			
16		20024-31431	1	REAR CUSHION			
17		11022-05160	1	BOLT SPW		M5x16	
18		11022-06280	1	BOLT SPW		M6x28	
20		70102-31211	1	CYLINDER COVER			
21		70171-31250	1	LABEL TRADE			
22		20024-31231	1	DUST CAP			

2. CRANKCASE



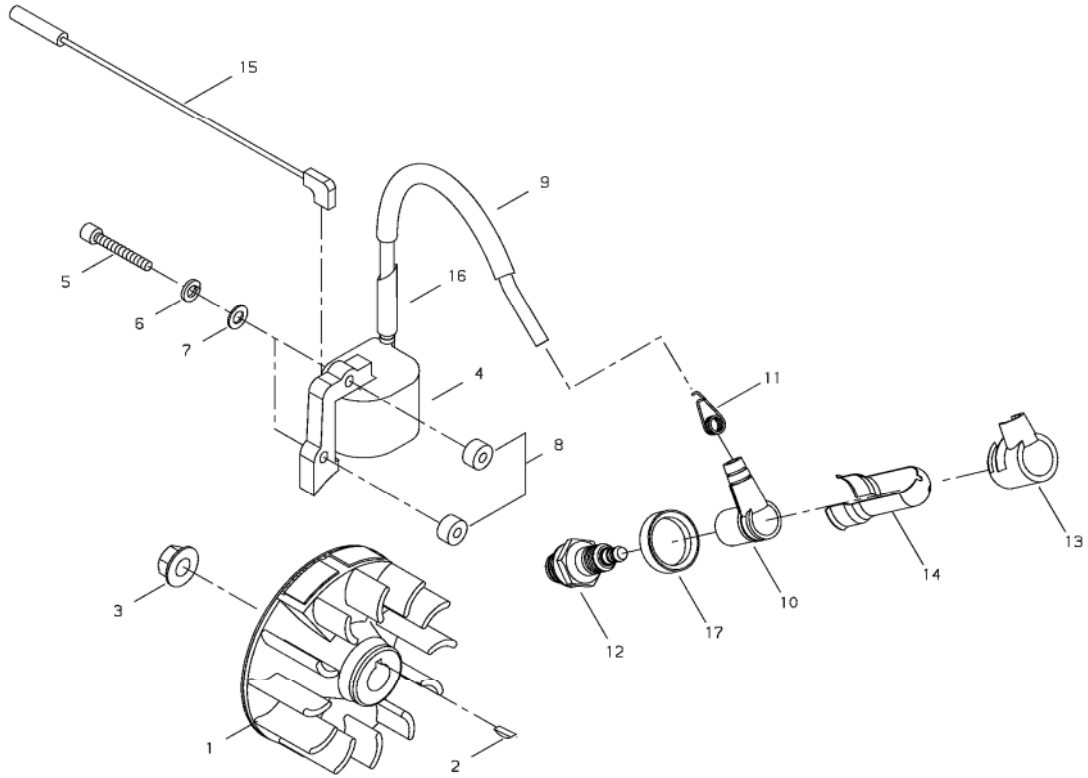
KEY	LV	PART NUMBER	Q'TY	DESCRIPTION	REMARKS	NOTE1	NOTE2
23		11022-05160	2	BOLT SPW		M5x16	
25		11022-05300	2	BOLT SW		M5x30	
26		11020-05180	2	BOLT SW		M5x18	
29		70105-31520	1	GROMMET			

3. PISTON, CRANKSHAFT, CLUTCH



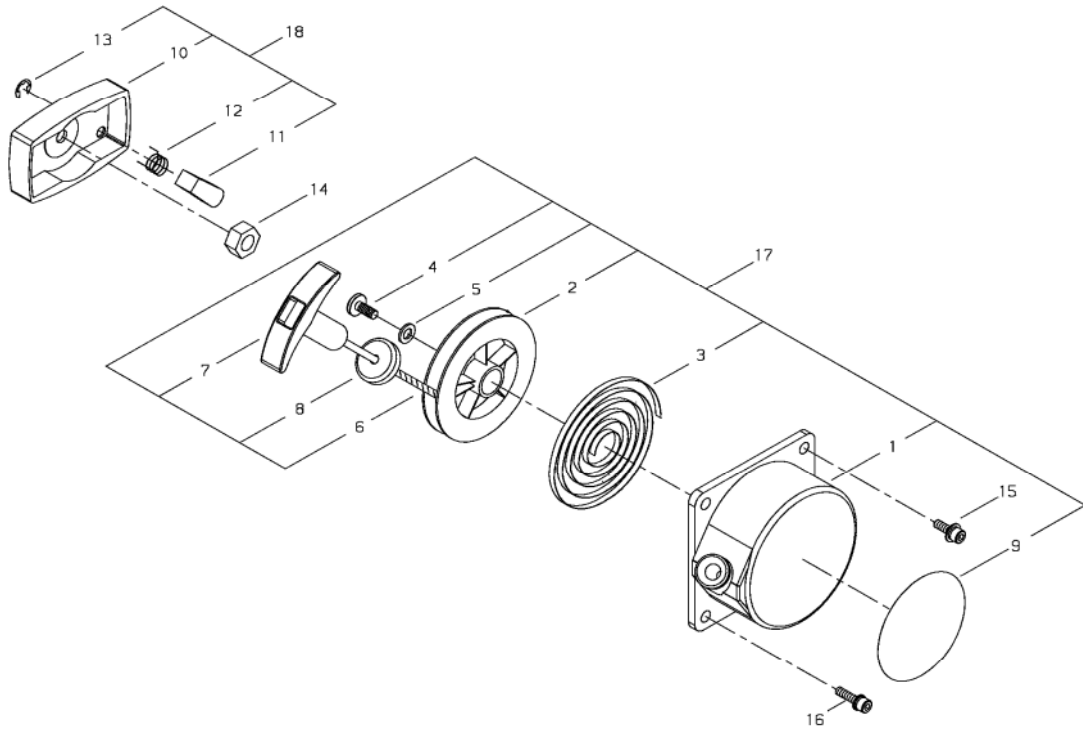
KEY	LV	PART NUMBER	Q'TY	DESCRIPTION	REMARKS	NOTE1	NOTE2
1		20024-41110	1	PISTON			
2		20024-41210	2	PISTON RING			
3		20024-41311	1	PISTON PIN			
4		20000-41320	2	SNAP RING			
5		37019-41230	1	NEEDLE BEARING			
6		37019-41240	2	THRUST WASHER			
7		20024-42001	1	CRANK SHAFT ASSY			
13		72575-98031	1	CLUTCH SHOE ASSY			
8	•	72575-98050	2	CLUTCH SHOE			
9	•	72575-98071	2	BOLT			
10	•	72575-98060	1	SPRING			
11	•	22100-71430	2	WASHER			
12	•	20087-51231	2	SPRING PLATE			

4. MAGNETO



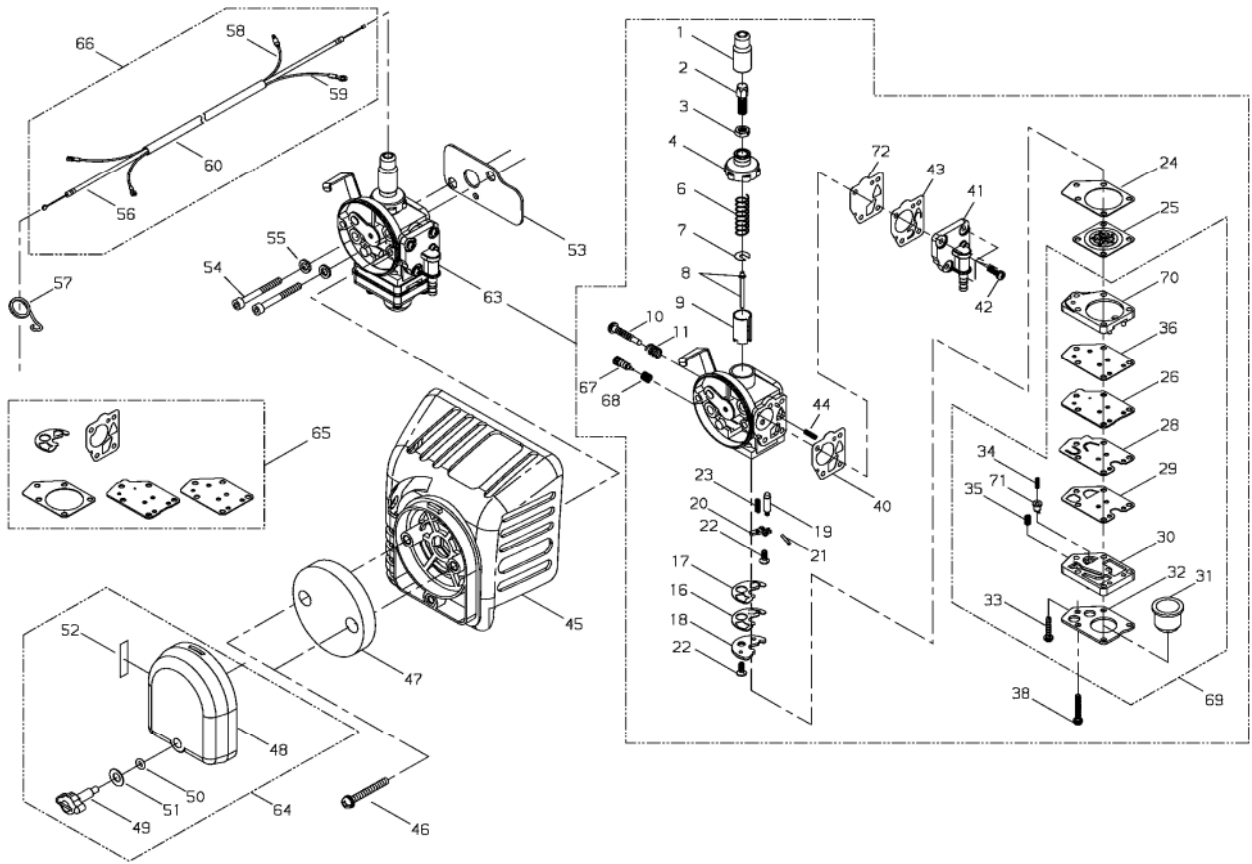
KEY	LV	PART NUMBER	Q'TY	DESCRIPTION	REMARKS	NOTE1	NOTE2
1		20024-71201	1	ROTOR			
2		02403-03100	1	KEY	3*10		
3		20035-71220	1	NUT			
4		20024-71610	1	COIL			
5		01020-04300	2	BOLT		M4x30	
6		01600-04101	2	SPRING WASHER			
7		01613-04080	2	WASHER			
8		70030-71620	2	INSULATOR			
9		20024-72112	1	TUBE			
10		20010-72221	1	PLUG CAP			
11		20000-72230	1	SPRING SPARK PLUG			
12		13000-13406	1	SPARK PLUG BMR6A		BMR6A	
13		20000-72241	1	PLUG CAP COVER			
14		70180-72260	1	SHIELD			
15		70102-74130	1	CORD			
16		70168-71660	1	TUBE			
17		20000-72250	1	COVER BAND			

5. RECOIL STARTER



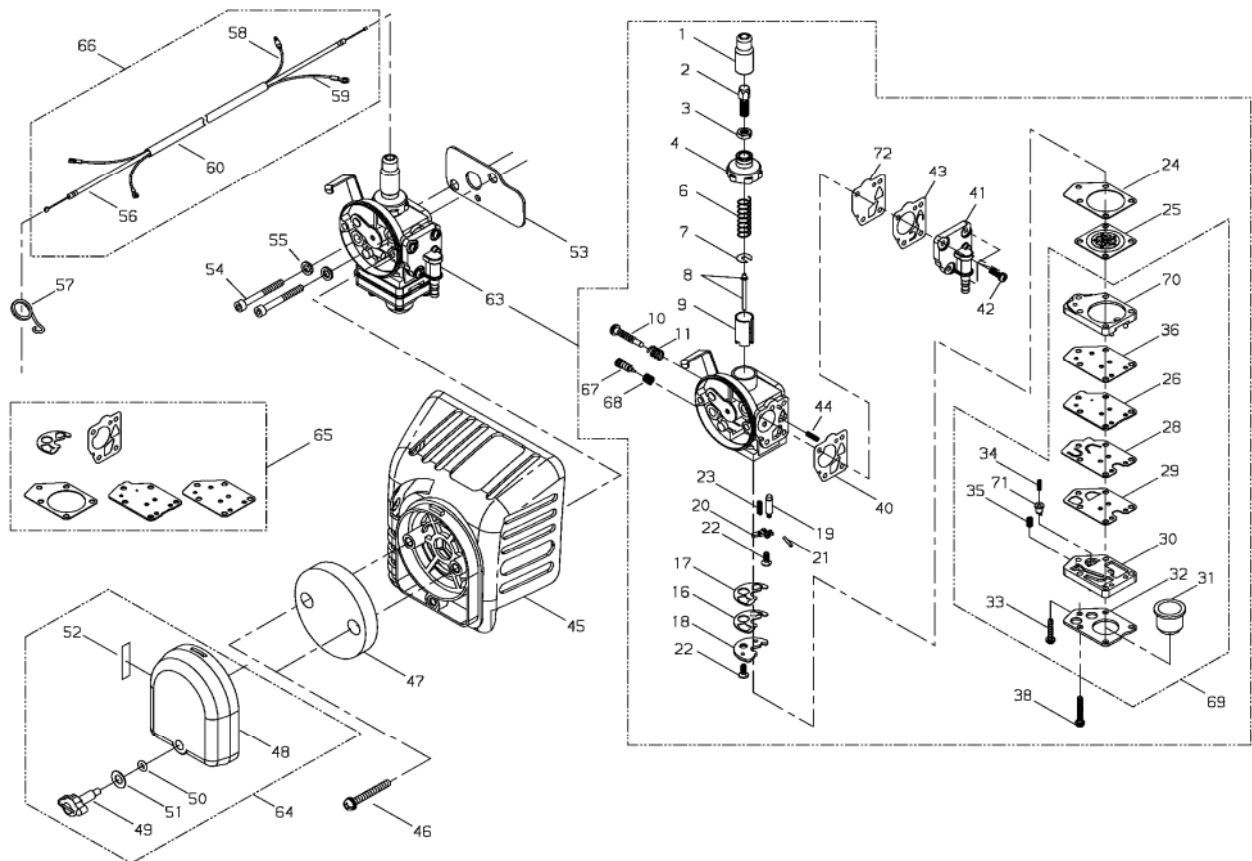
KEY	LV	PART NUMBER	Q'TY	DESCRIPTION	REMARKS	NOTE1	NOTE2
17		70162-75101	1	RECOIL STARETR			
1	▪	70102-75111	1	STARTER CASE			
2	▪	20024-75120	1	REEL			
3	▪	20024-75130	1	RECOIL SPRING			
4	▪	20035-75170	1	SCREW			
5	▪	20024-75140	1	WASHER			
6	▪	20024-75160	1	ROPE			
7	▪	20024-75190	1	STARTER KNOB			
8	▪	20024-75180	1	DAMPER			
9	▪	19420-00026	1	LABEL TRADE			
18		20024-75200	1	STARTER PULLEY			
10	▪	20024-75210	1	STARTER PULLEY			
11	▪	20024-75220	1	RATCHET			
12	▪	20024-75230	1	RETURN SPRING			
13	▪	20024-75240	1	E RING			
14		20035-43230	1	NUT			
15		11024-05160	2	BOLT PM SPW		M5x16	
16		11022-05250	2	BOLT SPW		M5x25	

6. CARBURETOR, AIR CLEANER



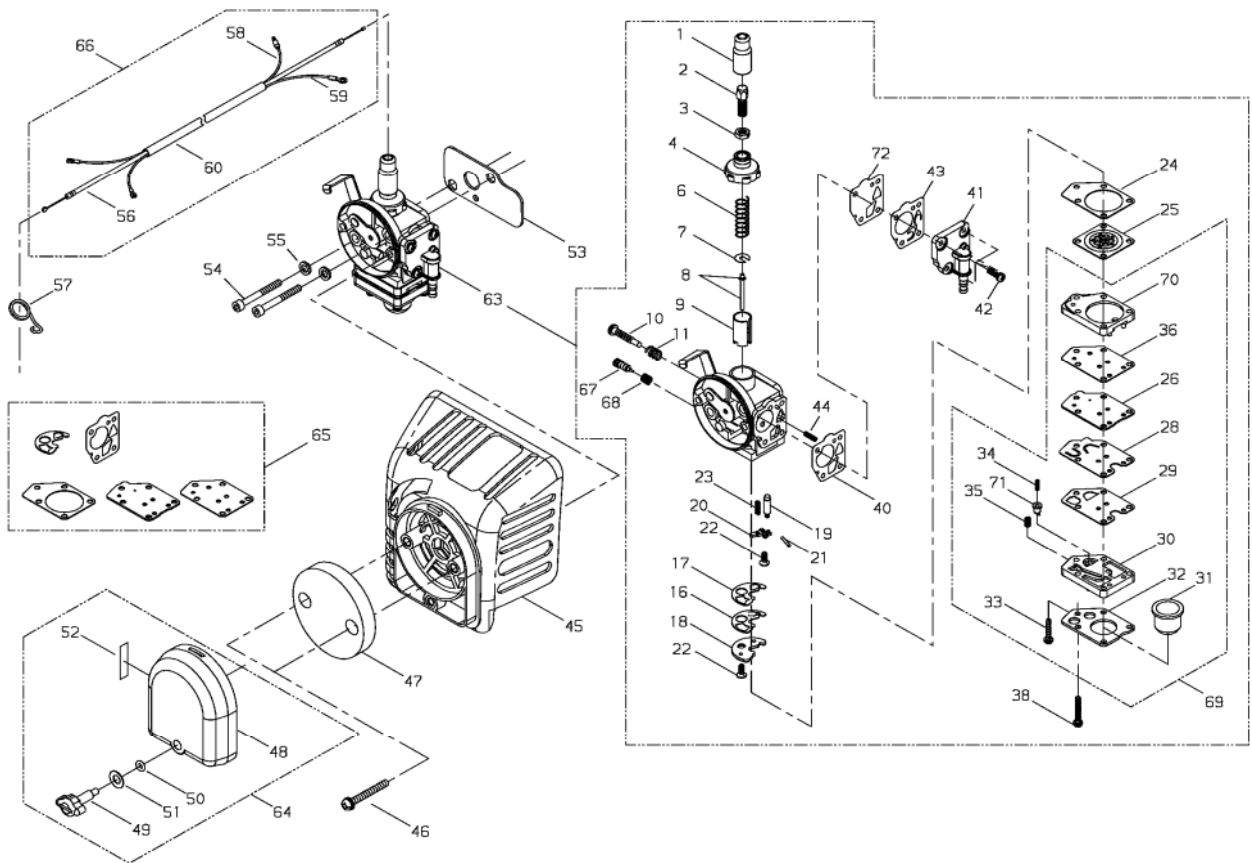
KEY	LV	PART NUMBER	Q'TY	DESCRIPTION	REMARKS	NOTE1	NOTE2
63		70102-81020	1	CARBURETOR SUB ASSY			
1	▪	72920-81130	1	ADJUSTER CAP			
2	▪	72920-81140	1	CABLE ADJUSTER			
3	▪	20000-81260	1	LOCK NUT			
4	▪	72920-81120	1	BODY CAP			
6	▪	20011-81140	1	SPRING			
7	▪	20000-81150	1	SPRING RECEIVE			
8	▪	20056-81210	1	JET NEEDLE			
9	▪	70170-81180	1	THROTTLE VALVE			
10	▪	20000-81310	1	SLOW STOP SCREW			
11	▪	72920-81820	1	SPRING			
16	▪	20087-81411	1	CHECK VALVE			
17	▪	20087-81420	1	PACKING			
18	▪	20087-81430	1	PLATE			
19	▪	20000-81441	1	NEEDLE VALVE			
20	▪	20019-81450	1	CONTROL LEVER			
21	▪	20011-81460	1	PIN			
22	▪	20011-81470	2	SCREW			
23	▪	20087-81480	1	SPRING			
24	▪	20087-81510	1	GASKET			
25	▪	20087-81520	1	DIAPHRAGM			
26	▪	20087-81540	1	GASKET			
28	▪	20087-81560	1	PLATE			
29	▪	20087-81571	1	CHECK VALVE			
30	▪	20087-81811	1	PUMP BASE			
31	▪	20087-81820	1	PUMP			

6. CARBURETOR, AIR CLEANER



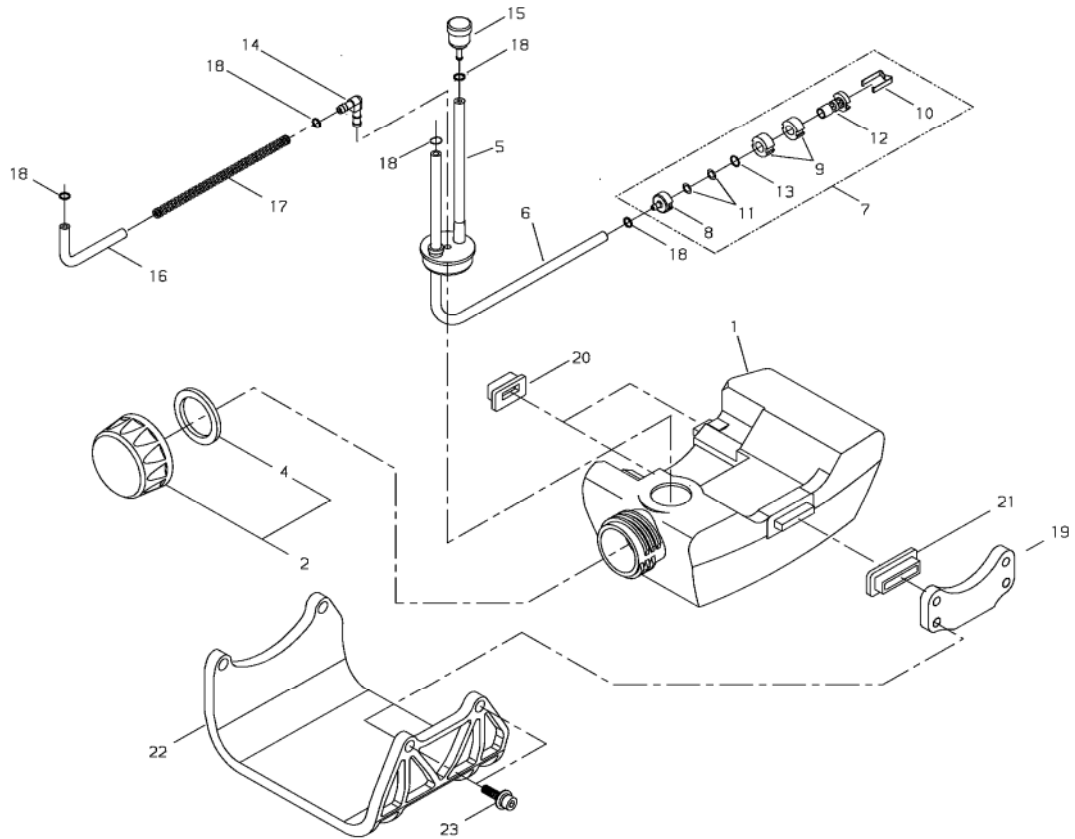
KEY	LV	PART NUMBER	Q'TY	DESCRIPTION	REMARKS	NOTE1	NOTE2
32	•	20087-81830	1	PLATE			
33	•	20087-81840	1	SCREW			
34	•	20087-81851	1	SPRING			
35	•	20087-81870	1	SPRING			
36	•	20087-81890	1	PACKING			
38	•	20087-81880	4	SCREW			
40	•	20011-81630	1	GASKET			
41	•	20087-81640	1	PUMP BODY			
42	•	20000-81650	4	SCREW			
43	•	20087-81660	1	PUMP VALVE			
44	•	20011-81680	1	SPRING			
45		70102-81710	1	CLEANER BODY			
46		11207-04250	2	SCREW PM SLPW			
47		20056-81740	1	FILTER			
64		20024-81800	1	CLEANER BODY			
48	•	20024-81770	1	CLEANER COVER			
49	•	20115-81780	1	KNOB CLEANER COVER			
50	•	22100-82430	1	O RING			
51	•	20024-81790	1	CONE WASHER			
52	•	19404-00008	1	LABEL CHOKE			
53		70244-83410	1	GASKET CARBURETOR			
54		01020-05650	2	BOLT		M5x65	
55		01600-05131	2	SPRING WASHER			
66		70105-83100	1	THROTTLE CABLE			
56	•	20026-83210	1	THROTTLE CABLE			
58	•	70105-83120	1	CORD			

6. CARBURETOR, AIR CLEANER



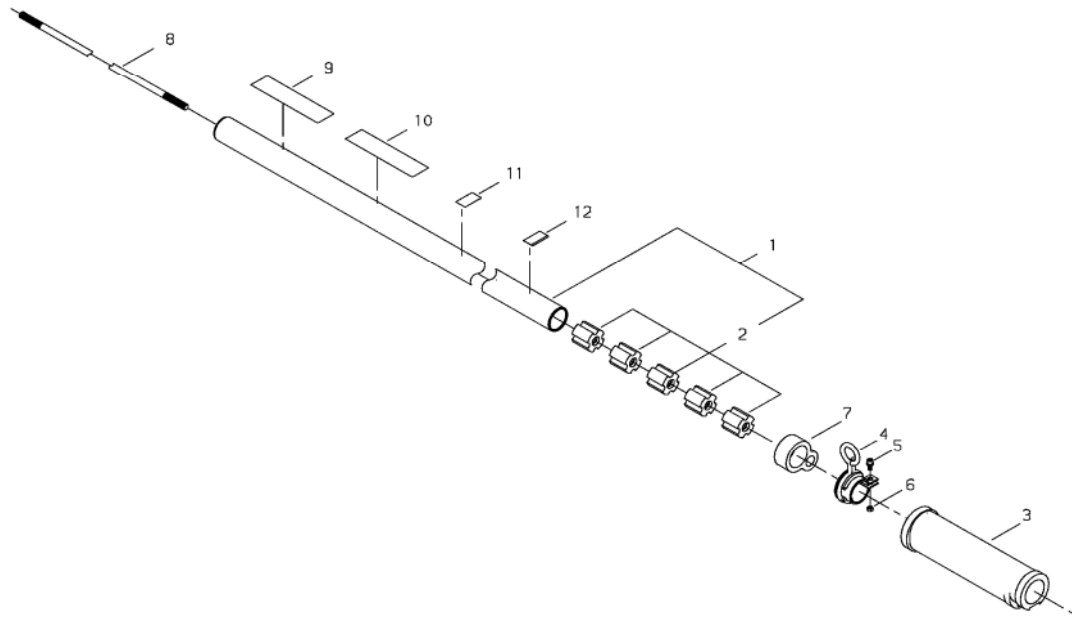
KEY	LV	PART NUMBER	Q'TY	DESCRIPTION	REMARKS	NOTE1	NOTE2
59	•	70105-83130	1	CORD			
60	•	70105-83140	1	TUBE			
57		20024-83152	1	CABLE HOLDER			
65		20087-81911	1	GASKET KIT			
67	•	20011-81351	1	ADJUST SCREW			
68	•	20011-81360	1	SPRING			
69	•	20087-81531	1	COVER SUB ASSY			
70	•	20087-81550	1	COVER			
71	•	20087-81861	1	VALVE			
72	•	20011-81621	1	DIAPHRAGM			

7. FUEL TANK



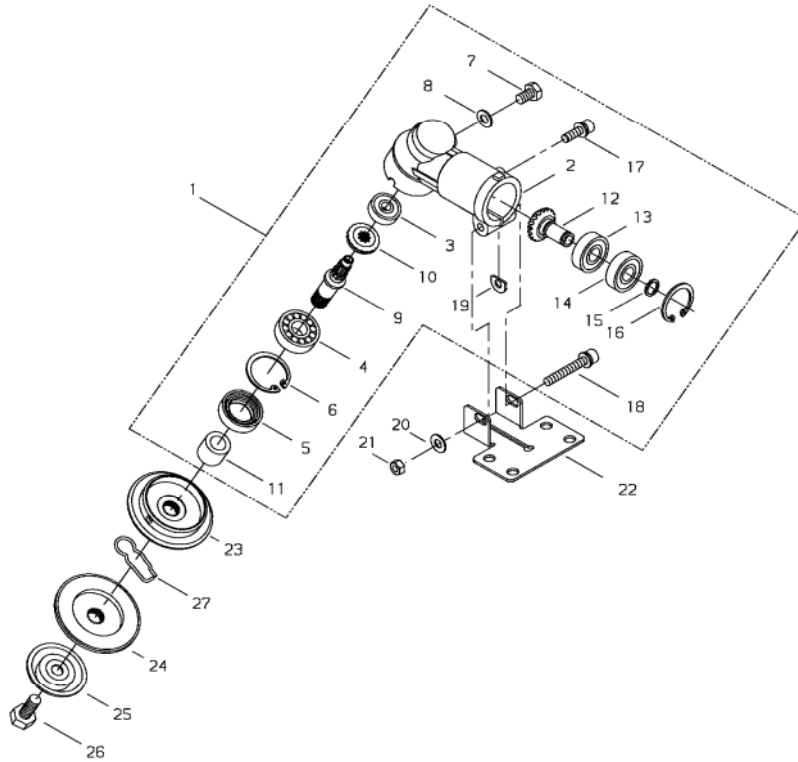
KEY	LV	PART NUMBER	Q'TY	DESCRIPTION	REMARKS	NOTE1	NOTE2
1		70244-85110	1	FUEL TANK			
2		70043-85201	1	FUEL CAP SUB ASSY			
4	•	20000-85221	1	GASKET			
5		20089-85350	1	GROMMET			
6		70170-85310	1	FUEL PIPE			
7		22115-85401	1	FUEL FILTER			
8	•	22128-85410	1	FUEL LINE WEIGHT			
9	•	22128-85421	2	ELEMENT, STRAINER			
10	•	22128-85440	1	CLIP FILTER			
11	•	22118-85460	2	ELEMENT			
12	•	22128-85470	1	SLEEVE			
13	•	22128-85480	1	RING			
14		20087-85340	1	JOINT, PIPE			
15		22197-33960	1	VALVE			
16		70170-83311	1	PIPE			
17		20019-83320	1	SPRING			
18		20020-85540	5	CLIP			
19		62074-85210	1	TANK BRACKET			
20		20024-86120	2	TANK CUSHION			
21		20024-86130	1	TANK CUSHION			
22		62074-85310	1	TANK GUARD			
23		11022-05200	1	BOLT SPW		M5x20	

8. MAIN PIPE



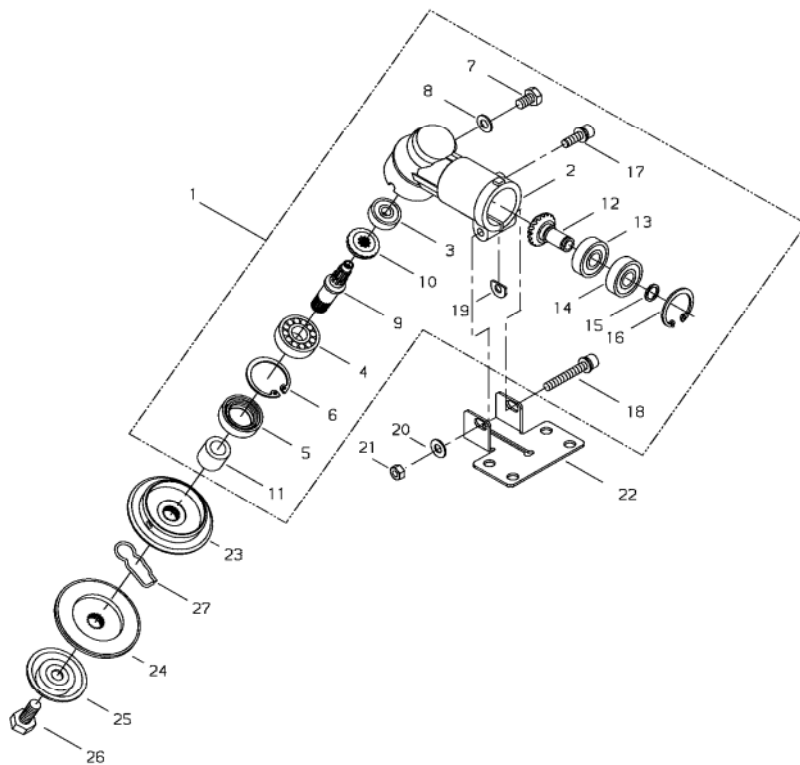
KEY	LV	PART NUMBER	Q'TY	DESCRIPTION	REMARKS	NOTE1	NOTE2
1		22024-12102	1	OUTER PIPE SUB ASSY			
2		22024-12120	5	BUSH			
3		22026-12130	1	GRIP			
4		22009-12210	1	HANGER			
5		11022-05120	1	BOLT SPW		M5x12	
6		01500-05041	1	NUT	M5		
7		72444-12190	1	BAND			
8		22000-12413	1	MAIN SHAFT			
9		19420-00084	1	LABEL TRADE		shindaiwa,PROFES SIONAL	
10		19422-00029	1	LABEL CAUTION			
11		19401-00269	1	LABEL INST			
12		72005-12140	1	CAUTION PLATE			

9. GEAR CASE



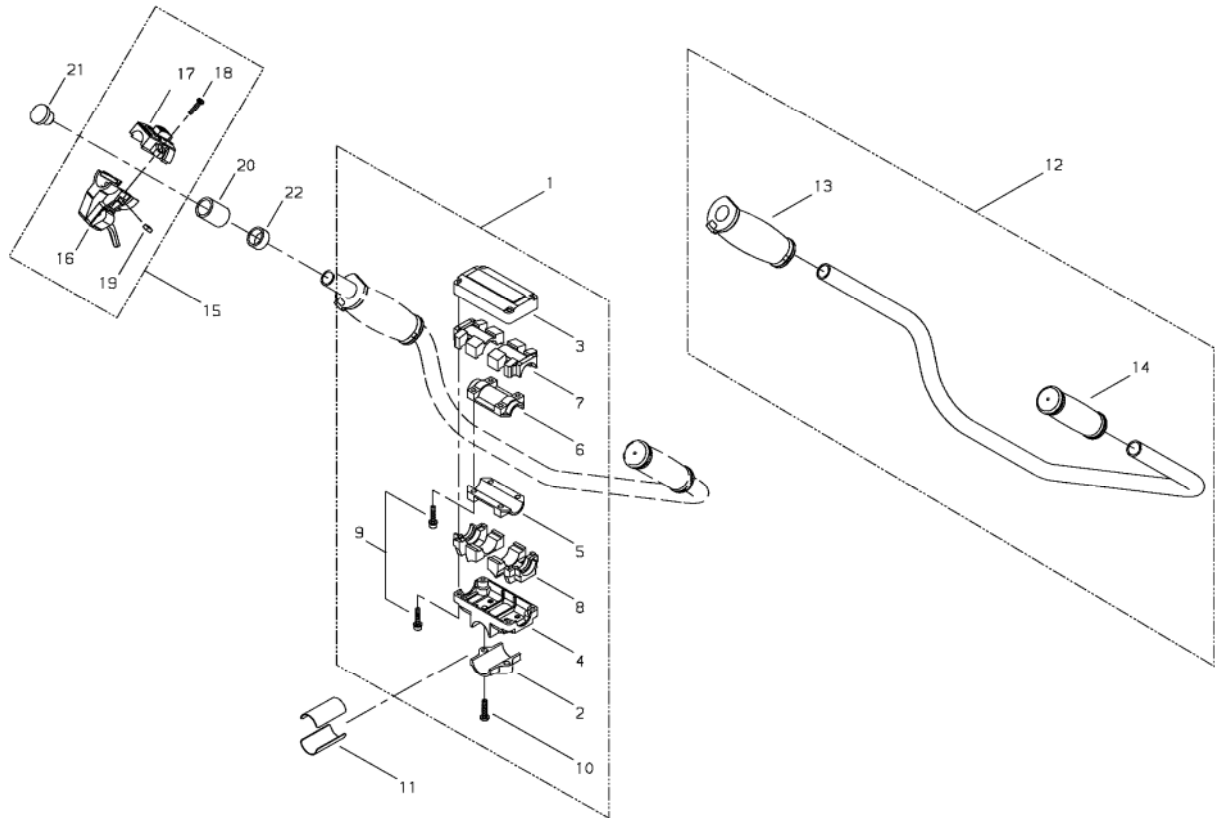
KEY	LV	PART NUMBER	Q'TY	DESCRIPTION	REMARKS	NOTE1	NOTE2
1		63000-63020	1	GEAR CASE COMP			
2	+	22024-13112	1	GEAR CASE			
3	+	02046-00609	1	BEARING			
4	+	02000-06201	1	BEARING		6201	
5	+	22024-13121	1	OIL SEAL			
6	+	02432-32120	1	SNAP RING			
7	+	22015-13410	1	BOLT			
8	+	22015-13420	1	GASKET			
9	+	72435-13210	1	GEAR SHAFT			
10	+	22024-13220	1	BEVEL GEAR			
11	+	22000-13230	1	COLLAR			
12	+	22024-13391	1	PINION SET			
13	+	02000-06901	1	BEARING		6901	
14	+	02002-06901	1	BEARING		6901ZZ	
15	+	20000-31140	1	SNAP RING			
16	+	02432-24120	1	SNAP RING			
17	+	11022-05160	1	BOLT SPW		M5x16	
18	+	11022-06400	1	BOLT SPW		M6x40	
19	+	22011-13450	1	SHIM			
20		900603-00006	1	WASHER 6	6.5*13*1		
21		01500-06051	1	NUT	M6		
22		72441-16130	1	LOWER CLAMP			
23		22024-13912	1	HOLDER A			
24		63000-63170	1	HOLDER			
25		22024-13291	1	BOLT GUARD			
26		22000-13512	1	BOLT			

9. GEAR CASE



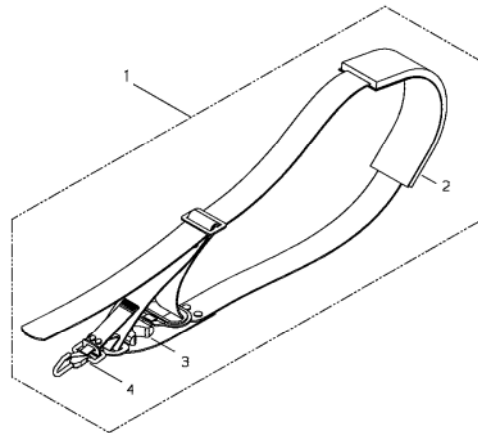
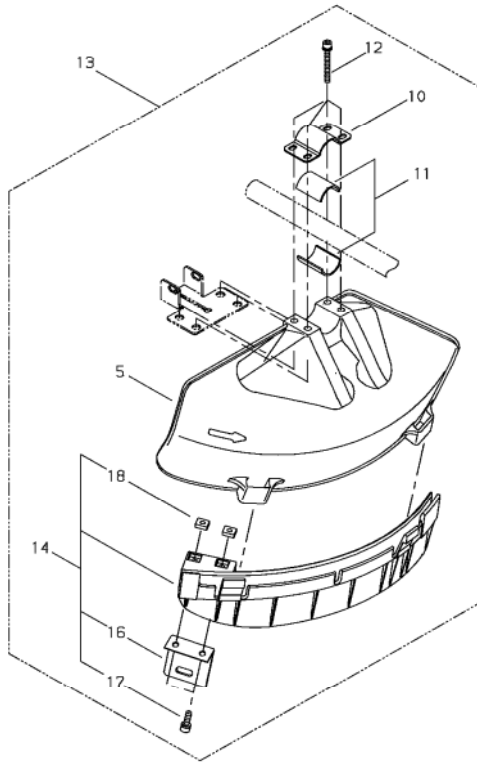
KEY	LV	PART NUMBER	Q'TY	DESCRIPTION	REMARKS	NOTE1	NOTE2
27		22000-13530	1	SLIDE PIN			

10. HANDLE



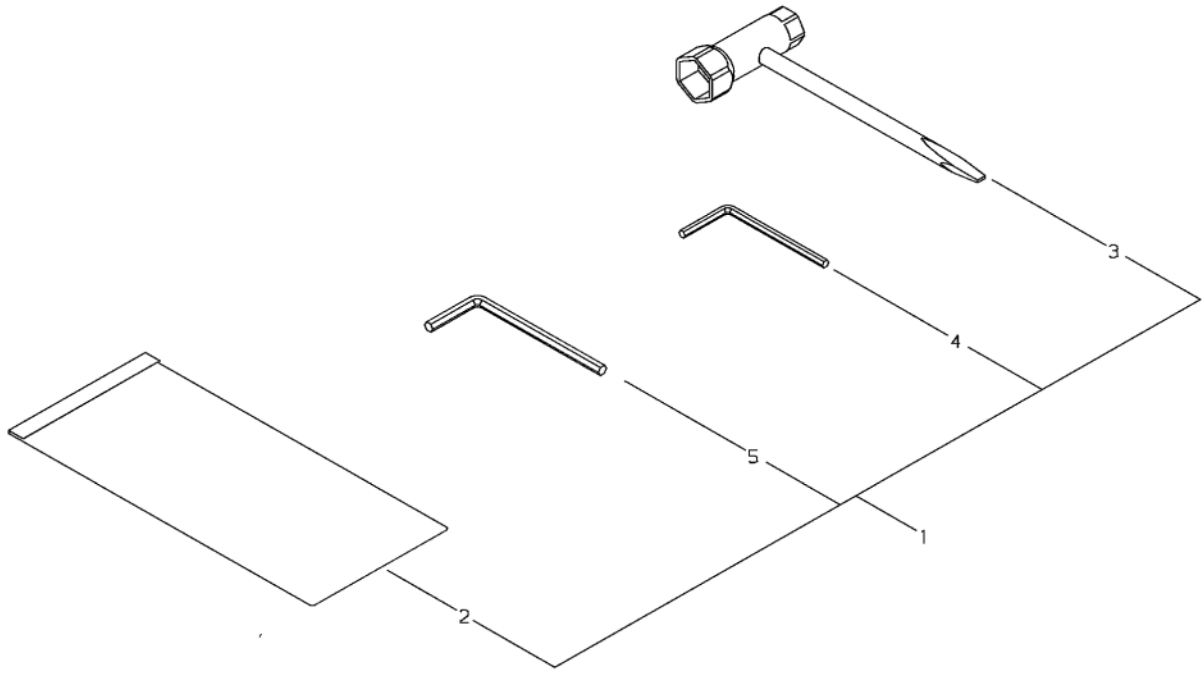
KEY	LV	PART NUMBER	Q'TY	DESCRIPTION	REMARKS	NOTE1	NOTE2
1		72017-14100	1	BRACKET SUB ASSY			
2	•	72017-14120	1	LOWER CAP			
3	•	72017-14130	1	UPPER CAP			
4	•	72017-14110	1	HANDLE BRACKET			
5	•	22015-14140	1	LOWER CLAMP			
6	•	22015-14150	1	UPPER CLAMP			
7	•	22015-14170	2	UPPER CUSHION			
8	•	22015-14160	2	LOWER CUSHION			
9	•	11022-05250	8	BOLT SPW		M5x25	
10	•	11210-06250	2	SCREW BUTTON		M6x25	
11		72445-14190	2	SPACER			
12		72422-14200	1	HANDLE SUB ASSY			
13	•	72450-14220	1	RIGHT GRIP			
14	•	22011-14320	1	GRIP			
15		72450-14300	1	THROTTLE LEVER ASSY			
16	•	72435-12710	1	THROTTLE CABLE			
17	•	72435-12820	1	SWITCH SUB ASSY			
18	•	11203-05208	2	SCREW PM		M5x20	
19	•	72435-12950	2	NUT			
20		72450-14431	1	COLLAR			
21		72450-14440	1	PLUG			
22		72450-14450	1	RING			

11. SHIELD



KEY	LV	PART NUMBER	Q'TY	DESCRIPTION	REMARKS	NOTE1	NOTE2
1		72007-17202	1	STRAP ASSY			
2	•	22007-17220	1	PROTECTOR			
3	•	22011-17261	1	CUSHION HARNESS			
4	•	22000-17130	1	HOOK			
13		64000-66311	1	GUARD SET			
5	•	62903-66111	1	GUARD			
14	•	62903-66332	1	SUB GUARD ASSY			
16	• •	72480-16121	1	CUTTER			
17	• •	11020-05160	2	BOLT SW		M5x16	
18	• •	22420-16120	2	NUT			
10	•	72480-16210	1	UPPER CLAMP			
12	•	11022-05450	4	BOLT SPW		M5x45	
11	•	72441-16220	2	SPACER			

12. TOOLS



KEY	LV	PART NUMBER	Q'TY	DESCRIPTION	REMARKS	NOTE1	NOTE2
1		62056-92010	1	TOOL SET			
2	•	19639-01400	1	BAG,PACKING	140*200*T0.08		
3	•	22000-91181	1	PLUG WRENCH		13x19mm	
4	•	09026-04001	1	HEXA WRENCH	4MM M5	4mm M5	
5	•	09026-05001	1	HEXA WRENCH 6MM		5mm M6	

13. OPTION

KEY	LV	PART NUMBER	Q'TY	DESCRIPTION	REMARKS	NOTE1	NOTE2
1		60059-98310	1	ENGINE REBUILD KIT			

Index

Patrs Number	Key No.	Patrs Number	Key No.	Patrs Number	Key No.
01020-04300	4 - 5	19401-00269	8 - 11	20024-72112	4 - 9
01020-05250	2 - 6	19404-00008	6 - 52	20024-75120	5 - 2
01020-05550	1 - 14	19420-00026	5 - 9	20024-75130	5 - 3
01020-05650	6 - 54	19420-00084	8 - 9	20024-75140	5 - 5
01270-03062	1 - 11	19422-00029	8 - 10	20024-75160	5 - 6
01500-05041	8 - 6	19639-01400	12 - 2	20024-75180	5 - 8
01500-06051	9 - 21	20000-21211	2 - 5	20024-75190	5 - 7
01600-04101	4 - 6	20000-21211	2 - 5	20024-75200	5 - 18
01600-05131	6 - 55	20000-31140	2 - 12	20024-75210	5 - 10
01610-05080	1 - 15	20000-31140	9 - 15	20024-75220	5 - 11
01613-04080	4 - 7	20000-41320	3 - 4	20024-75230	5 - 12
02000-06201	9 - 4	20000-72230	4 - 11	20024-75240	5 - 13
02000-06901	9 - 13	20000-72241	4 - 13	20024-81770	6 - 48
02002-06901	9 - 14	20000-72250	4 - 17	20024-81790	6 - 51
02036-06001	2 - 10	20000-81150	6 - 7	20024-81800	6 - 64
02046-00609	9 - 3	20000-81260	6 - 3	20024-83152	6 - 57
02403-03100	4 - 2	20000-81310	6 - 10	20024-86120	7 - 20
02432-24120	9 - 16	20000-81441	6 - 19	20024-86130	7 - 21
02432-28120	2 - 11	20000-81650	6 - 42	20026-83210	6 - 56
02432-32120	9 - 6	20000-85221	7 - 4	20035-43230	5 - 14
09026-04001	12 - 4	20010-72221	4 - 10	20035-71220	4 - 3
09026-05001	12 - 5	20011-81140	6 - 6	20035-75170	5 - 4
11020-05160	1 - 3	20011-81351	6 - 67	20056-81210	6 - 8
11020-05160	11 - 17	20011-81360	6 - 68	20056-81740	6 - 47
11020-05180	2 - 26	20011-81460	6 - 21	20087-51231	3 - 12
11020-05300	1 - 4	20011-81470	6 - 22	20087-81411	6 - 16
11022-05120	1 - 16	20011-81621	6 - 72	20087-81420	6 - 17
11022-05120	8 - 5	20011-81630	6 - 40	20087-81430	6 - 18
11022-05160	1 - 17	20011-81680	6 - 44	20087-81480	6 - 23
11022-05160	2 - 17	20019-81450	6 - 20	20087-81510	6 - 24
11022-05160	2 - 23	20019-83320	7 - 17	20087-81520	6 - 25
11022-05160	9 - 17	20020-85540	7 - 18	20087-81531	6 - 69
11022-05200	1 - 8	20024-12110	1 - 1	20087-81540	6 - 26
11022-05200	7 - 23	20024-12221	1 - 6	20087-81550	6 - 70
11022-05250	5 - 16	20024-12260	1 - 7	20087-81560	6 - 28
11022-05250	10 - 9	20024-15210	1 - 13	20087-81571	6 - 29
11022-05300	2 - 25	20024-21110	2 - 1	20087-81640	6 - 41
11022-05450	11 - 12	20024-21120	2 - 2	20087-81660	6 - 43
11022-06280	2 - 18	20024-31130	2 - 8	20087-81811	6 - 30
11022-06400	9 - 18	20024-31231	2 - 22	20087-81820	6 - 31
11024-05160	5 - 15	20024-31411	2 - 14	20087-81830	6 - 32
11203-05208	10 - 18	20024-31421	2 - 15	20087-81840	6 - 33
11207-04250	6 - 46	20024-31431	2 - 16	20087-81851	6 - 34
11210-05160	2 - 13	20024-41110	3 - 1	20087-81861	6 - 71
11210-06250	10 - 10	20024-41210	3 - 2	20087-81870	6 - 35
12492-50100	2 - 3	20024-41311	3 - 3	20087-81880	6 - 38
12900-62010	2 - 4	20024-42001	3 - 7	20087-81890	6 - 36
12900-62010	2 - 4	20024-71201	4 - 1	20087-81911	6 - 65
13000-13406	4 - 12	20024-71610	4 - 4	20087-85340	7 - 14

Index

Patrs Number	Key No.	Patrs Number	Key No.	Patrs Number	Key No.
20089-85350	7 - 5	62903-66332	11 - 14	72450-14440	10 - 21
20115-81780	6 - 49	63000-63020	9 - 1	72450-14450	10 - 22
22000-12413	8 - 8	63000-63170	9 - 24	72480-16121	11 - 16
22000-13230	9 - 11	64000-66311	11 - 13	72480-16210	11 - 10
22000-13512	9 - 26	70030-71620	4 - 8	72575-98021	2 - 9
22000-13530	9 - 27	70043-85201	7 - 2	72575-98031	3 - 13
22000-17130	11 - 4	70102-15180	1 - 12	72575-98050	3 - 8
22000-91181	12 - 3	70102-31110	2 - 7	72575-98060	3 - 10
22007-17220	11 - 2	70102-31211	2 - 20	72575-98071	3 - 9
22009-12210	8 - 4	70102-74130	4 - 15	72920-81120	6 - 4
22011-13450	9 - 19	70102-75111	5 - 1	72920-81130	6 - 1
22011-14320	10 - 14	70102-81020	6 - 63	72920-81140	6 - 2
22011-17261	11 - 3	70102-81710	6 - 45	72920-81820	6 - 11
22015-13410	9 - 7	70103-15100	1 - 18	900603-00006	9 - 20
22015-13420	9 - 8	70103-15110	1 - 9		
22015-14140	10 - 5	70103-15150	1 - 10		
22015-14150	10 - 6	70105-31520	2 - 29		
22015-14160	10 - 8	70105-83100	6 - 66		
22015-14170	10 - 7	70105-83120	6 - 58		
22024-12102	8 - 1	70105-83130	6 - 59		
22024-12120	8 - 2	70105-83140	6 - 60		
22024-13112	9 - 2	70162-75101	5 - 17		
22024-13121	9 - 5	70168-71660	4 - 16		
22024-13220	9 - 10	70170-81180	6 - 9		
22024-13291	9 - 25	70170-83311	7 - 16		
22024-13391	9 - 12	70170-85310	7 - 6		
22024-13912	9 - 23	70171-31250	2 - 21		
22026-12130	8 - 3	70180-72260	4 - 14		
22100-71430	3 - 11	70244-12210	1 - 5		
22100-82430	6 - 50	70244-83410	6 - 53		
22115-85401	7 - 7	70244-85110	7 - 1		
22118-85460	7 - 11	72005-12140	8 - 12		
22128-85410	7 - 8	72007-17202	11 - 1		
22128-85421	7 - 9	72017-14100	10 - 1		
22128-85440	7 - 10	72017-14110	10 - 4		
22128-85470	7 - 12	72017-14120	10 - 2		
22128-85480	7 - 13	72017-14130	10 - 3		
22197-33960	7 - 15	72422-14200	10 - 12		
22420-16120	11 - 18	72435-12710	10 - 16		
37019-41230	3 - 5	72435-12820	10 - 17		
37019-41240	3 - 6	72435-12950	10 - 19		
60059-98310	13 - 1	72435-13210	9 - 9		
62056-92010	12 - 1	72441-16130	9 - 22		
62073-21010	2 - 27	72441-16220	11 - 11		
62073-21020	2 - 28	72444-12190	8 - 7		
62074-12120	1 - 2	72445-14190	10 - 11		
62074-85210	7 - 19	72450-14220	10 - 13		
62074-85310	7 - 22	72450-14300	10 - 15		
62903-66111	11 - 5	72450-14431	10 - 20		

YAMABIKO CORPORATION

7-2 SUEHIROCHO 1-CHOME, OHME, TOKYO 198-8760, JAPAN
PHONE: 81-428-32-6118. FAX: 81-428-32-6145.

shindaiwa[®]

AUS
No.