

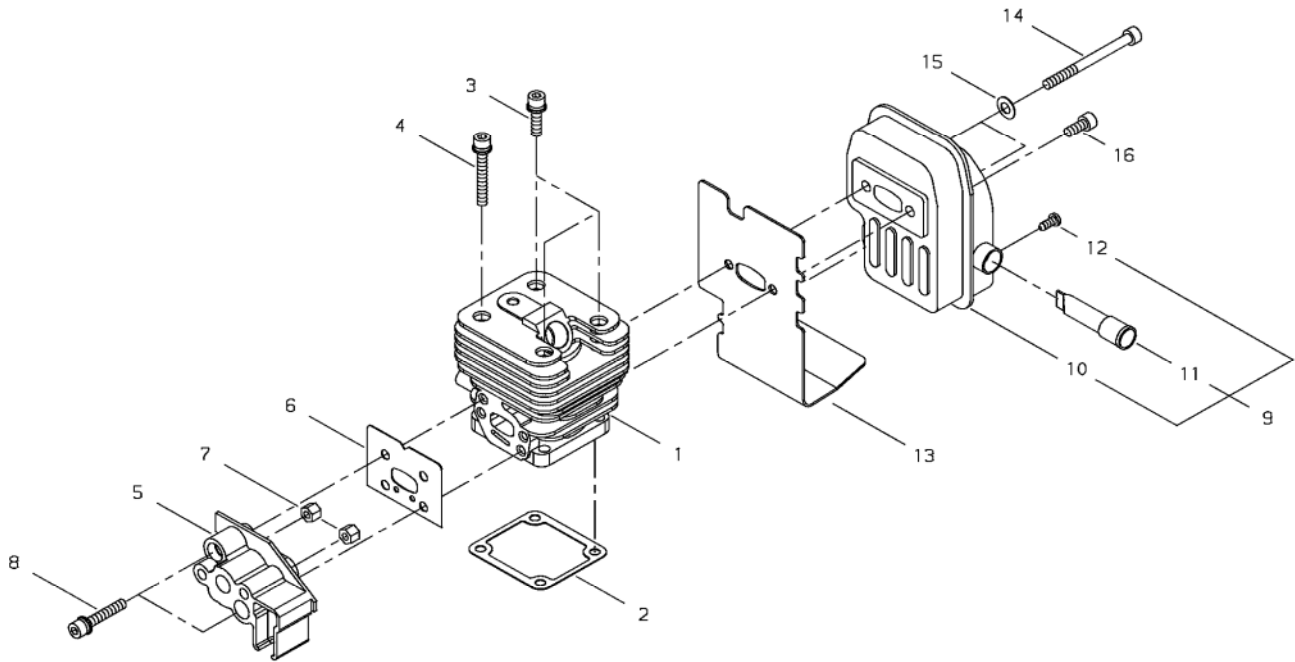
**shindaiwa<sup>®</sup>**

# **PARTS CATALOGUE**

**BRUSHCUTTER**

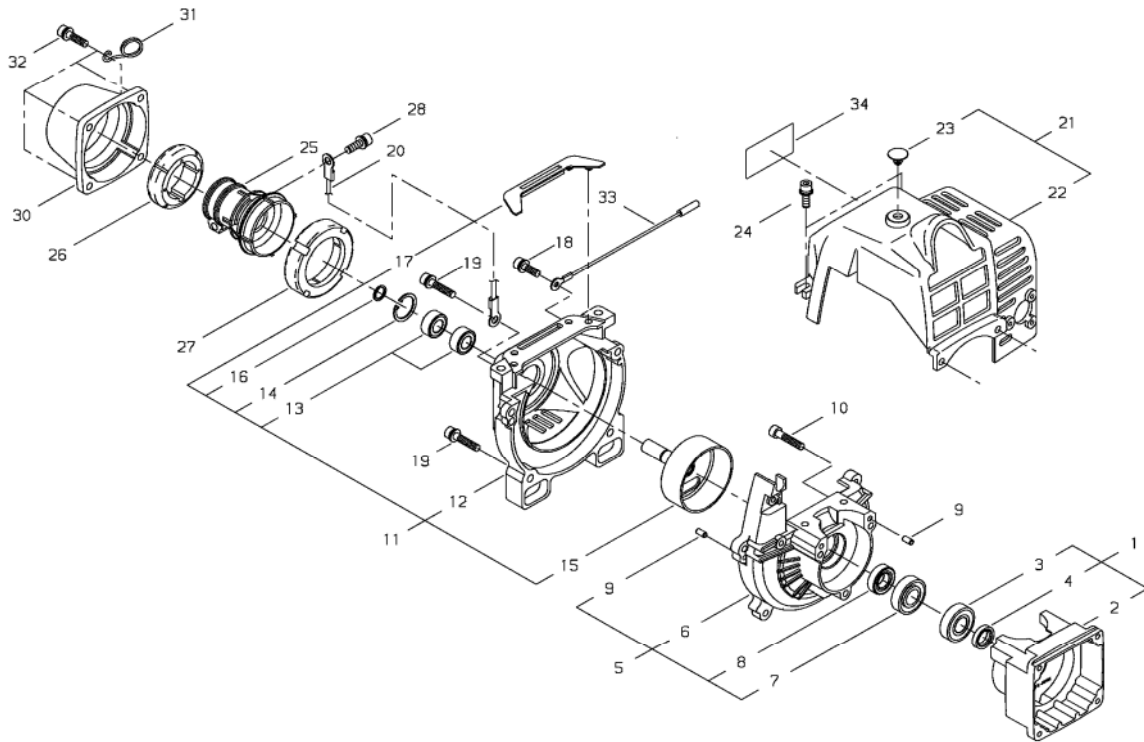
**C260 EC1**

## 1. ☒ 1



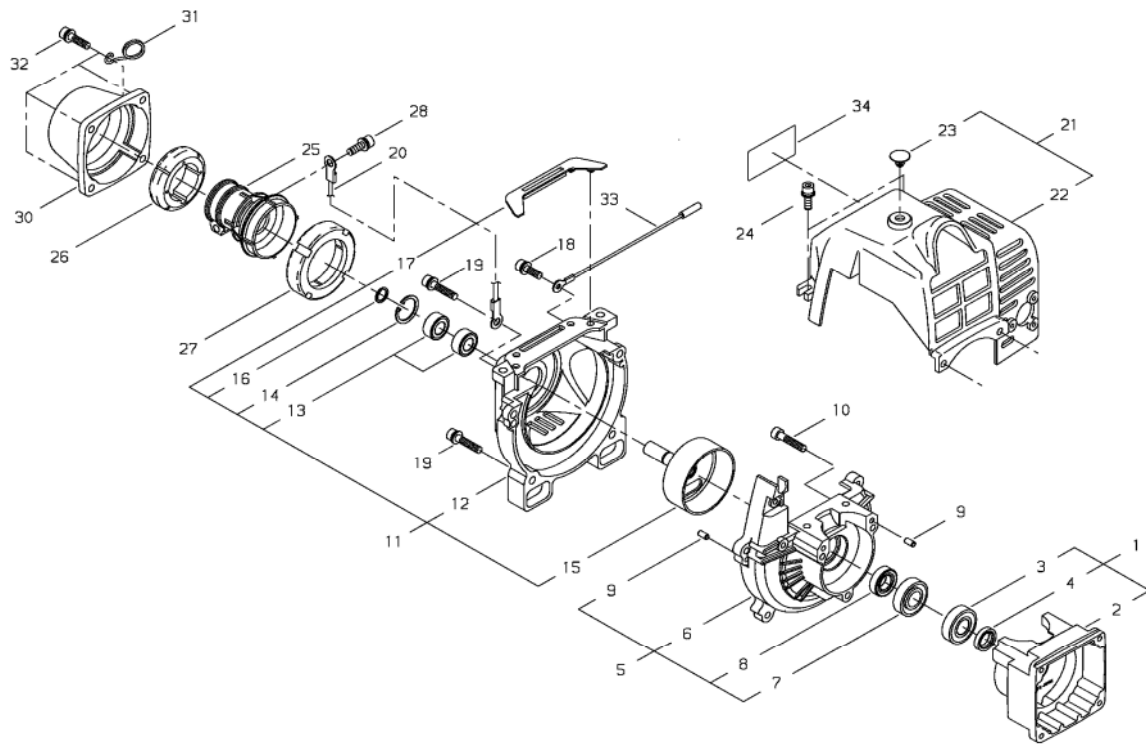
KEY	LV	PART NUMBER	Q'TY	DESCRIPTION	REMARKS	NOTE1	NOTE2
1		70144-12110	1	CYLINDER			
2		20018-12120	1	GASKET			
3		11020-05160	3	BOLT SW		M5x16	
4		11020-05350	1	BOLT SW		M5x35	
5		20110-12211	1	INSULATOR			
6		20110-12221	1	GASKET			
7		20024-12260	2	NUT			
8		11022-05300	2	BOLT SW			
9		70135-15100	1	MUFFLER SUB ASSY			
10	•	70135-15110	1	MUFFLER			
11	•	70103-15150	1	SPARK ARRESTER			
12	•	01270-03062	1	SCREW TAPPING			
13		20018-15150	1	GASKET MUFFLER			
14		01020-05500	2	BOLT		M5x50	
15		01610-05080	2	WASHER			
16		01020-05120	1	BOLT	M5*12	M5x12	

## 2.

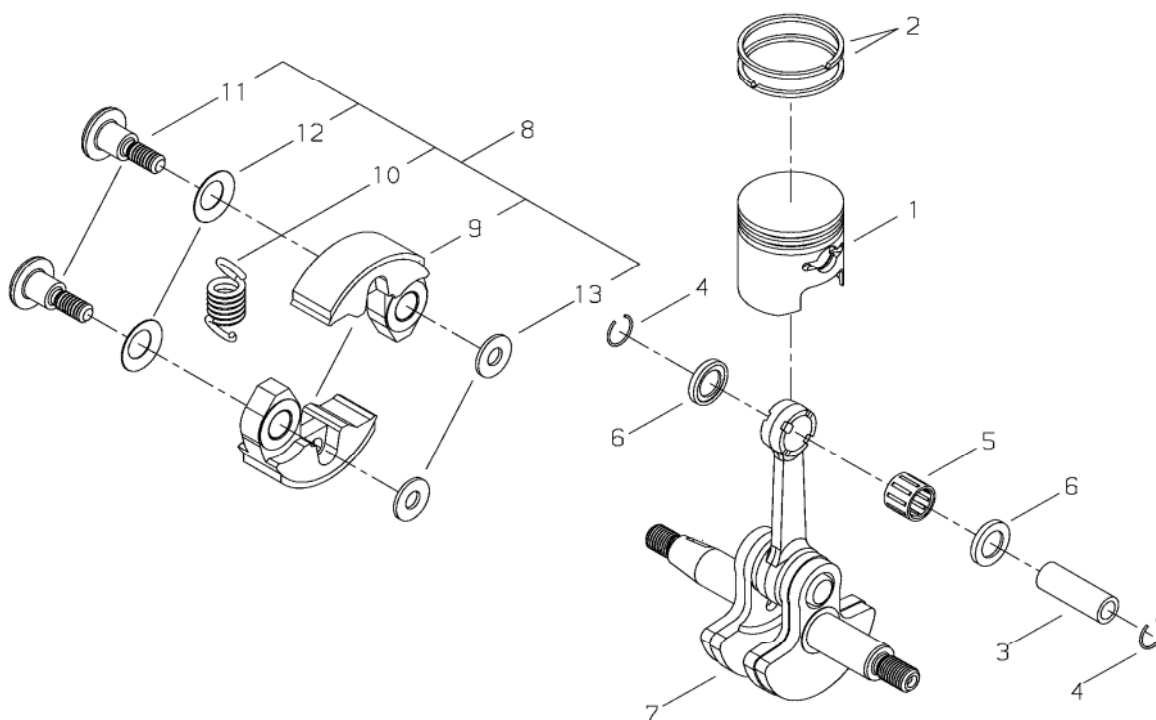


KEY	LV	PART NUMBER	Q'TY	DESCRIPTION	REMARKS	NOTE1	NOTE2
1		20018-21100	1	CRANK CASE S COMP			
2	▪	20018-21111	1	CRANK CASE S			
3	▪	12900-60010	1	BALL BEARING			
4	▪	22150-21250	1	SEAL,OIL			
5		20110-21201	1	CRANK CASE M COMP			
6	▪	20018-21122	1	CRANK CASE M			
7	▪	12900-60010	1	BALL BEARING			
8	▪	20000-21211	1	OIL SEAL			
9	▪	12492-40080	4	ROLLER			
10		01020-05250	3	BOLT		M5*25	
11		62011-31011	1	FAN COVER COMP			
12	▪	20134-31111	1	FAN COVER			
13	▪	02006-06000	2	BEARING		6000DDU	
14	▪	02432-26120	1	SNAP RING		26mm C	
15	▪	20018-31330	1	CLUTCH DRUM			
16	▪	22000-13320	1	SNAP RING			
17	▪	20110-31130	1	CUSHION			
18		11022-05160	2	BOLT SPW		M5*16	
19		11022-05300	2	BOLT SW			
20		70192-31510	1	EARTH CORD			
21		62011-32010	1	CYLINDER COVER COMP			
22	▪	20134-32110	1	CYLINDER COVER			
23	▪	20134-32130	1	PLUG			
24		11022-05160	2	BOLT SPW		M5*16	
25		20018-31411	1	JOINT			
26		20018-31420	1	FRONT CUSHION			

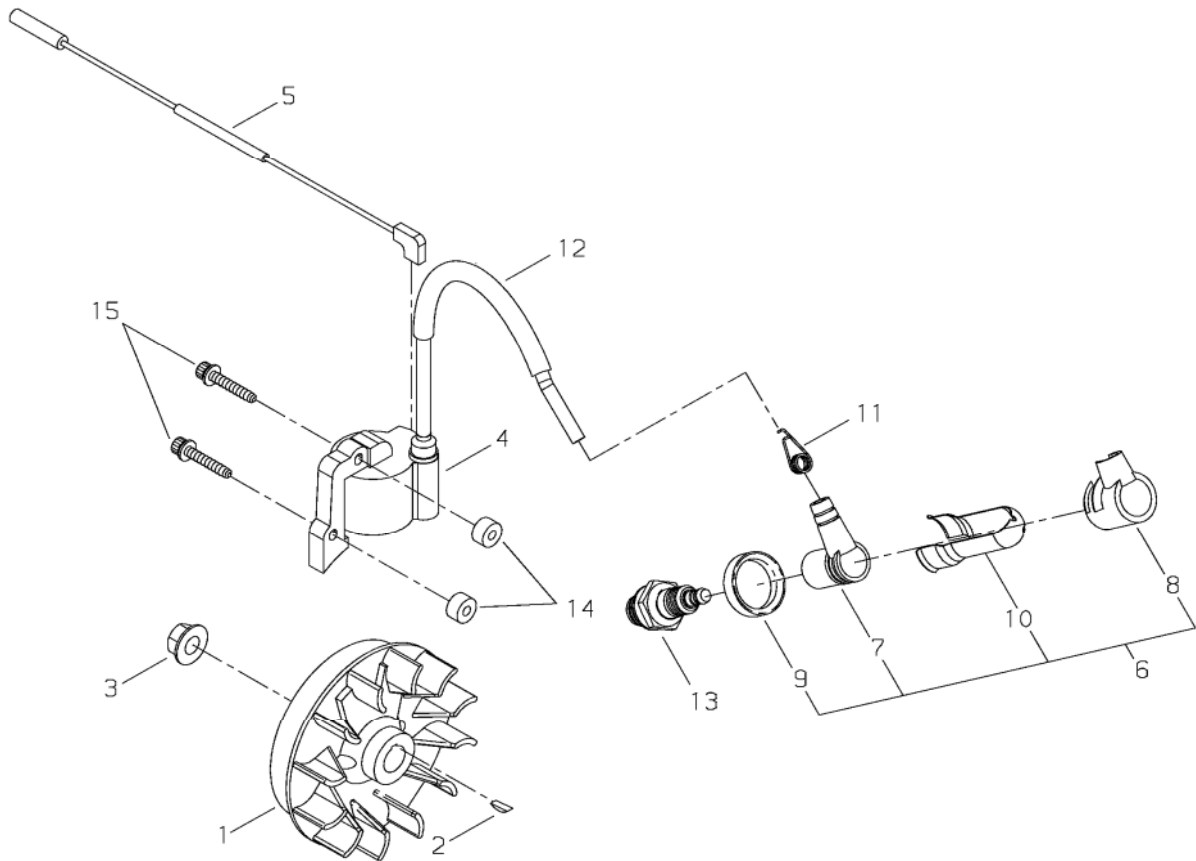
2. 2



KEY	LV	PART NUMBER	Q'TY	DESCRIPTION	REMARKS	NOTE1	NOTE2
27		20018-31430	1	REAR CUSHION			
28		11023-05250	1	BOLT SW		M5*25	
30		70135-31470	1	CAP			
31		20024-83152	1	CABLE HOLDER			
32		11022-05200	4	BOLT SPW		M5*20(SW,PW)	
33		70201-83130	1	CORD			
34		70202-32120	1	LABEL TRADE			

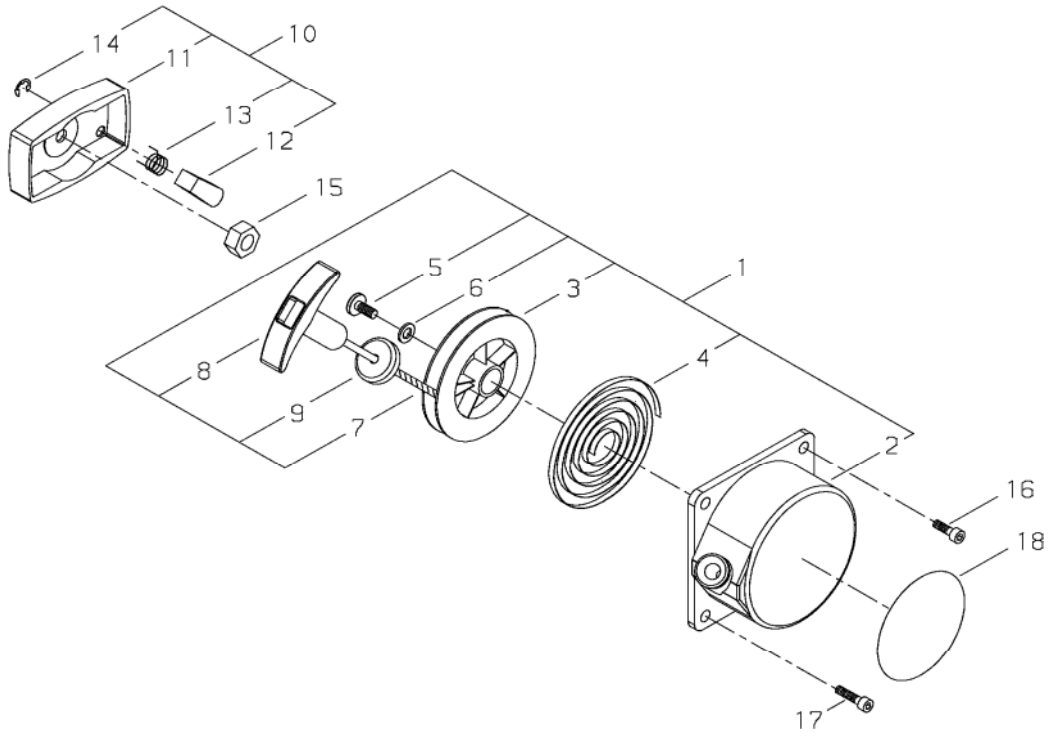
3. 3

KEY	LV	PART NUMBER	Q'TY	DESCRIPTION	REMARKS	NOTE1	NOTE2
1		20000-41111	1	PISTON			
2		20000-41210	2	PISTON RING			
3		20000-41310	1	PISTON PIN			
4		20000-41320	2	SNAP RING			
5		37019-41230	1	NEEDLE BEARING			
6		37019-41240	2	THRUST WASHER			
7		20018-42000	1	CRANK SHAFT ASSY			
8		70140-51102	1	CLUTCH SHOE ASSY			
9	•	70140-51113	2	CLUTCH SHOE			
10	•	37013-51310	1	COIL SPRING			
11	•	20087-51210	2	BOLT			
12	•	20087-51231	2	SPRING PLATE			
13	•	22100-71430	2	WASHER			

4. 4

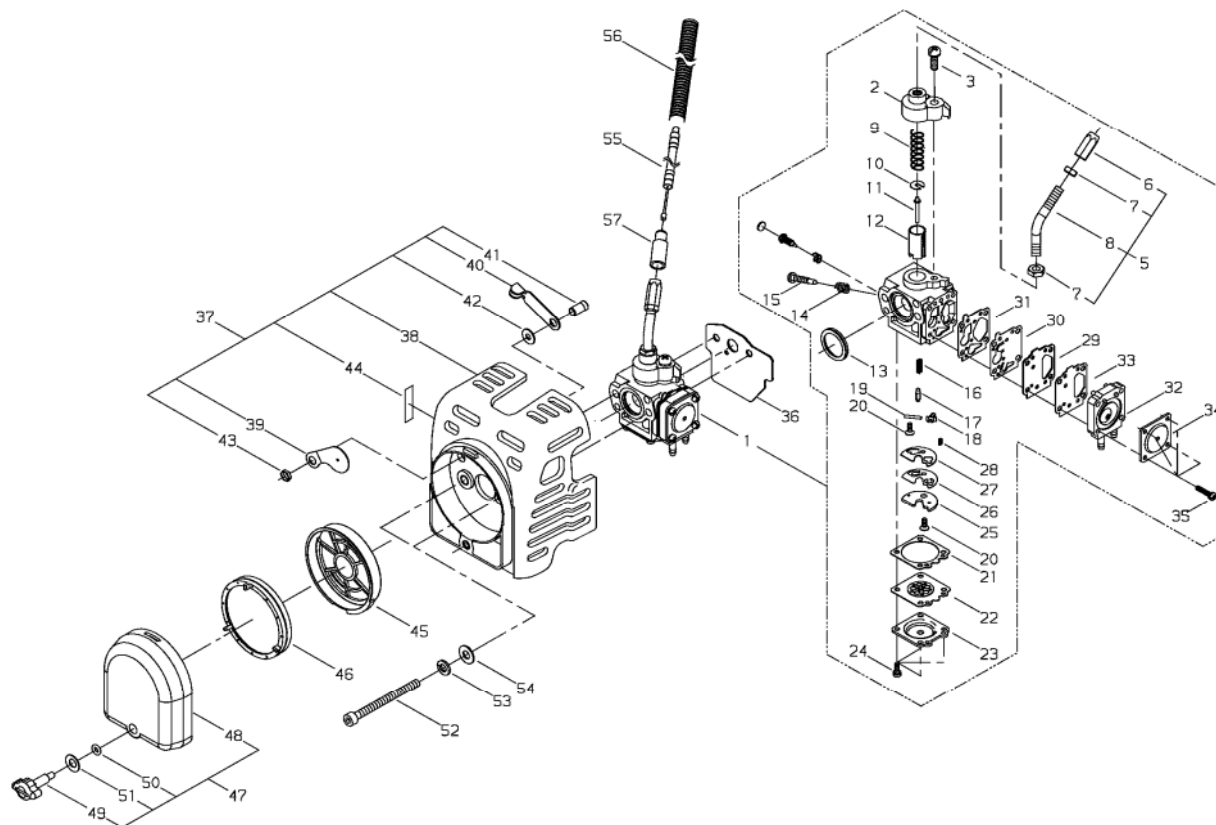
KEY	LV	PART NUMBER	Q'TY	DESCRIPTION	REMARKS	NOTE1	NOTE2
1		20018-71200	1	ROTOR			
2		02403-03100	1	KEY	3*10	3*10	
3		20035-71220	1	NUT			
4		20029-71600	1	COIL ASSY			
5		70201-71640	1	CORD			
6		70223-72200	1	PLUG CAP COMP			
7	·	20010-72221	1	PLUG CAP			
8	·	20000-72241	1	PLUG CAP COVER			
9	·	20000-72250	1	COVER BAND			
10	·	70180-72260	1	SHIELD			
11		20000-72230	1	SPRING SPARK PLUG			
12		20089-83120	1	TUBE			
13		13000-13506	1	SPARK PLUG BPMR6A		BPMR6A	
14		70030-71620	2	INSULATOR			
15		11024-04261	2	BOLT		M4*26	

5. 5



KEY	LV	PART NUMBER	Q'TY	DESCRIPTION	REMARKS	NOTE1	NOTE2
1		70102-75901	1	RECOIL STARETR			
2	•	70102-75110	1	STARTER CASE			
3	•	20024-75120	1	REEL			
4	•	20024-75130	1	RECOIL SPRING			
5	•	20035-75170	1	SCREW			
6	•	20024-75140	1	WASHER			
7	•	20024-75160	1	ROPE			
8	•	20024-75190	1	STARTER KNOB			
9	•	20024-75180	1	DAMPER			
10		20024-75200	1	STARTER PULLEY			
11	•	20024-75210	1	STARTER PULLEY			
12	•	20024-75220	1	RATCHET			
13	•	20024-75230	1	RETURN SPRING			
14	•	20024-75240	1	E RING			
15		20035-43230	1	NUT			
16		11022-05200	2	BOLT SPW		M5x20	
17		11022-05250	2	BOLT SPW		M5x25	
18		19420-00026	1	LABEL TRADE			

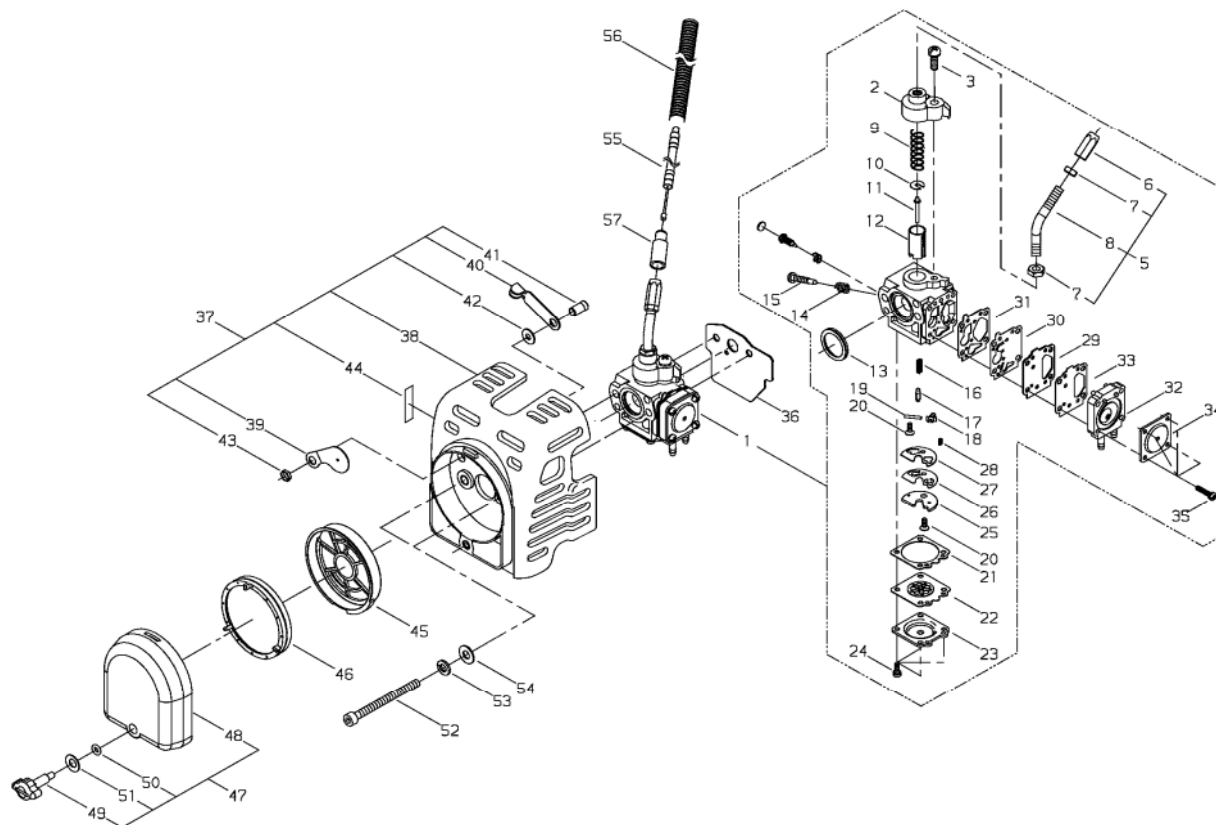
## 6. 図6



KEY	LV	PART NUMBER	Q'TY	DESCRIPTION	REMARKS	NOTE1	NOTE2
1		70144-81021	1	CARBURETOR SUB ASSY			
2	▪	70144-81340	1	BODY TOP COMP			
3	▪	20019-81120	1	SCREW		M5x15	
5	▪	70144-81320	1	ELBOW ASSY			
6	▪ ▪	20055-81810	1	CABLE ADJUSTER			
7	▪ ▪	20000-81260	2	LOCK NUT			
8	▪ ▪	70144-81330	1	ELBOW			
9	▪	20003-81140	1	THROTTLE SPRING			
10	▪	20000-81150	1	SPRING RECEIVE			
11	▪	70144-81170	1	JET NEEDLE			
12	▪	20019-81182	1	THROTTLE VALVE			
13	▪	20019-81280	1	RING GASKET			
14	▪	72920-81820	1	SPRING			
15	▪	20019-81310	1	SLOW STOP SCREW			
16	▪	20040-81430	1	SPRING			
17	▪	20019-81440	1	NEEDLE VALVE			
18	▪	20019-81450	1	CONTROL LEVER			
19	▪	20011-81460	1	PIN			
20	▪	20011-81470	2	SCREW		M3x8	
21	▪	20019-81510	1	GASKET			
22	▪	20019-81520	1	DIAPHRAGM ASSY			
23	▪	20019-81530	1	COVER DIAPHRAGM			
24	▪	20000-81540	4	SCREW		M3x8	
25	▪	20019-81560	1	PLATE			
26	▪	20019-81570	1	CHECK VALVE			
27	▪	20019-81580	1	GASKET			

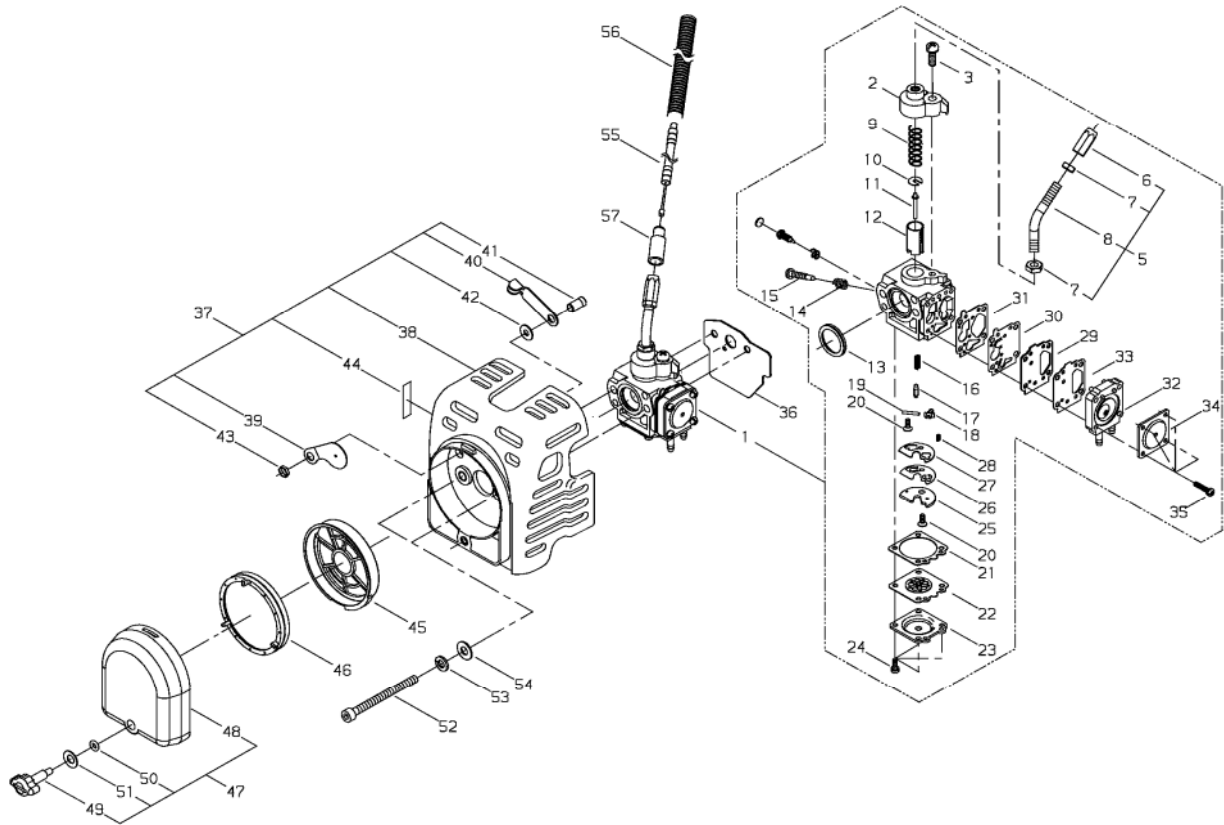


## 6. 6



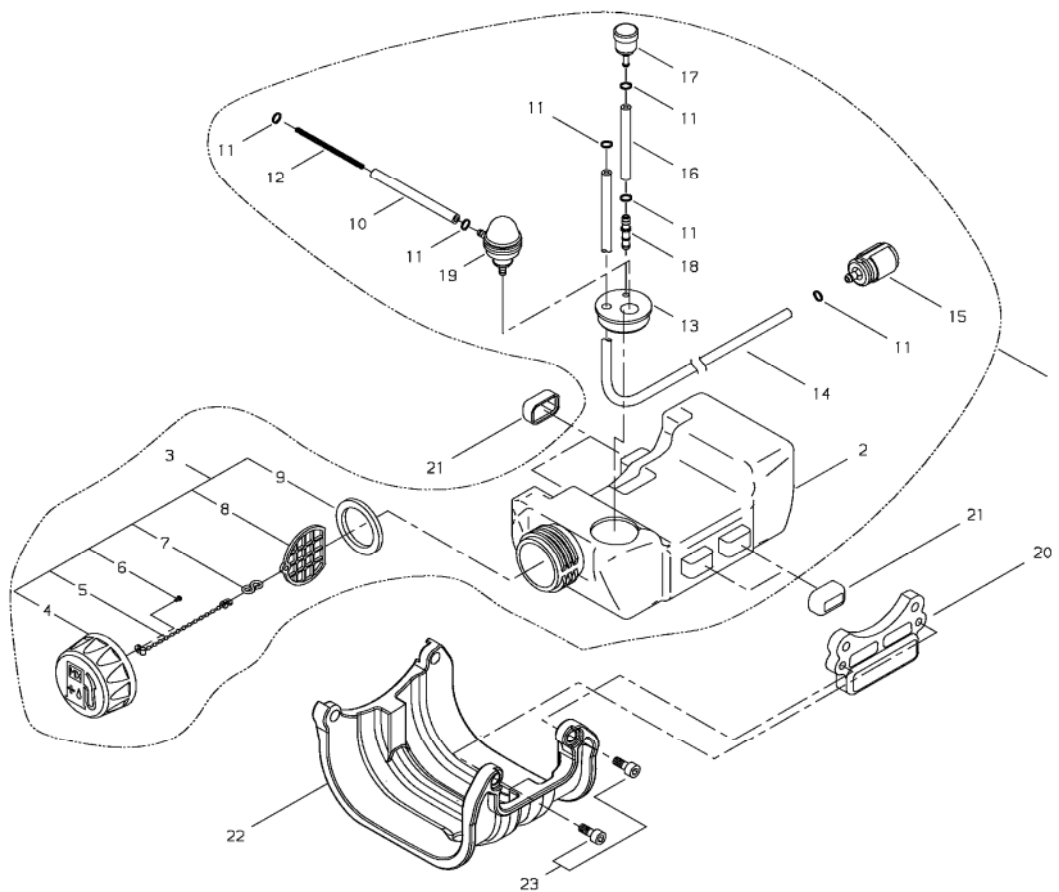
KEY	LV	PART NUMBER	Q'TY	DESCRIPTION	REMARKS	NOTE1	NOTE2
28	•	20011-81680	1	SPRING			
29	•	20019-81610	1	PUMP PLATE			
30	•	20019-81620	1	DIAPHRAGM PUMP			
31	•	20019-81630	1	GASKET			
32	•	20019-81641	1	PUMP COVER			
33	•	20019-81660	1	GASKET			
34	•	20019-81670	1	COVER DIAPHRAGM			
35	•	20019-81680	4	SCREW		M3x14	
36		20110-83431	1	GASKET			
37		20134-82100	1	CLEANER BODY COMP			
38	•	20134-81711	1	CLEANER BODY			
39	•	20115-82121	1	CHOKE PLATE			
40	•	20115-82130	1	CHOKE LEVER			
41	•	20110-82140	1	CHOKE SHAFT			
42	•	20024-81790	1	CONE WASHER			
43	•	11524-06211	1	U NUT			
44	•	19404-00008	1	LABEL CHOKE			
45		62028-82310	1	NET			
46		60028-98010	1	FILTER			
47		20115-81770	1	CLEANER COVER COMP			
48	•	20024-81770	1	CLEANER COVER			
49	•	20115-81780	1	KNOB CLEANER COVER			
50	•	22100-82430	1	O RING			
51	•	20024-81790	1	CONE WASHER			
52		01020-05600	2	BOLT		M5x60	
53		01600-05131	2	SPRING WASHER			

6. 6



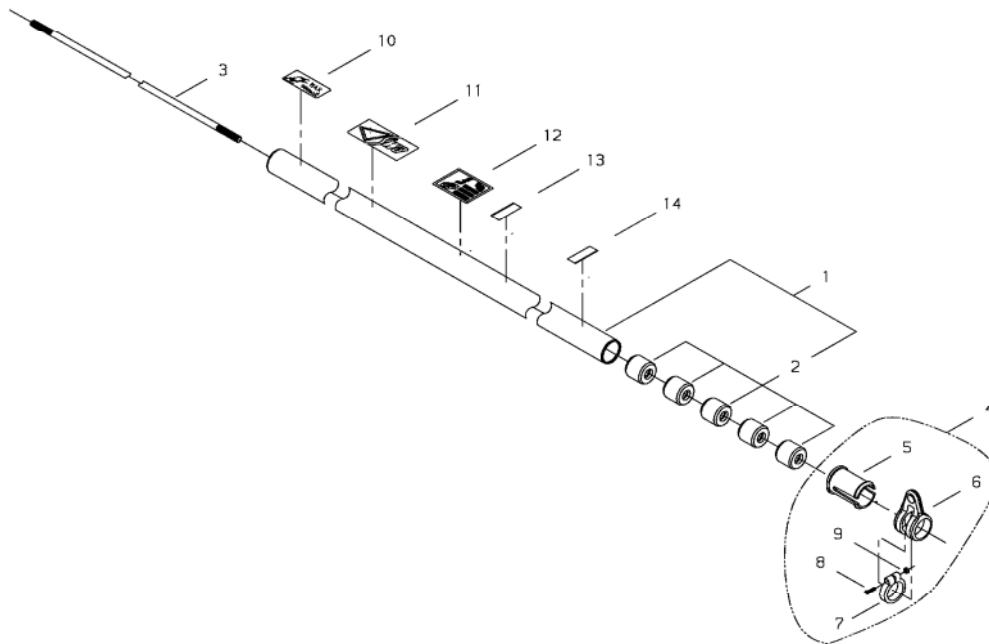
KEY	LV	PART NUMBER	Q'TY	DESCRIPTION	REMARKS	NOTE1	NOTE2
54		01610-05080	2	WASHER			
55		20024-83210	1	THROTTLE CABLE			
56		70201-83140	1	TUBE			
57		20005-83160	1	CABLE CAP			

## 7. 7



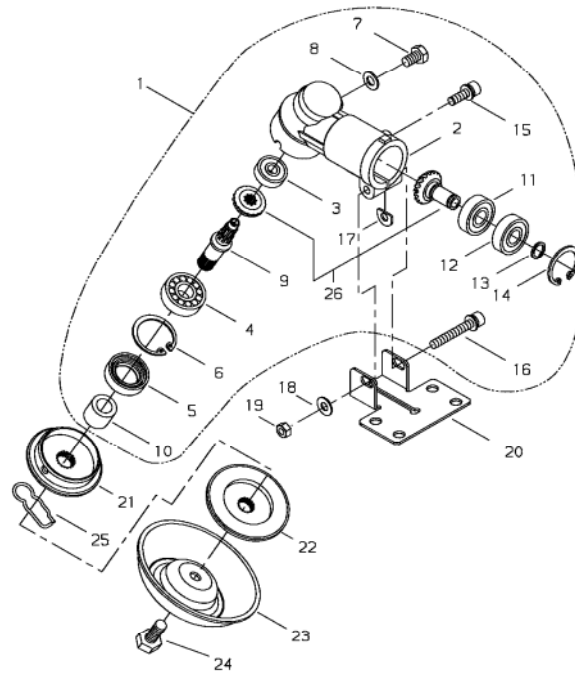
KEY	LV	PART NUMBER	Q'TY	DESCRIPTION	REMARKS	NOTE1	NOTE2
1		70223-85000	1	FUEL TANK ASSY			
2	•	20018-85113	1	FUEL TANK			
3	•	70168-85201	1	FUEL CAP ASSY			
4	• •	70168-85210	1	FUEL CAP			
5	• •	22128-57250	1	CHAIN CAP			
6	• •	01270-25064	1	SCREW TAPPING			
7	• •	22155-21330	1	HOOK			
8	• •	22150-21350	1	CLIP			
9	• •	20000-85221	1	GASKET			
10	•	20018-83311	1	PIPE			
11	•	20020-85540	6	CLIP			
12	•	20019-83320	1	SPRING			
13	•	20019-85351	1	GROMMET			
14	•	20110-85320	1	FUEL PIPE			
15	•	22115-85401	1	FUEL FILTER			
16	•	20110-83311	1	PIPE			
17	•	20035-85522	1	VALVE			
18	•	72933-85620	1	JOINT			
19	•	20019-85600	1	PUMP COMP			
20		20018-86112	1	TANK HOLDER			
21		20018-86120	4	TANK CUSHION			
22		62902-85320	1	TANK GUARD			
23		11022-05160	2	BOLT SPW		M5x16	

8. ☒8



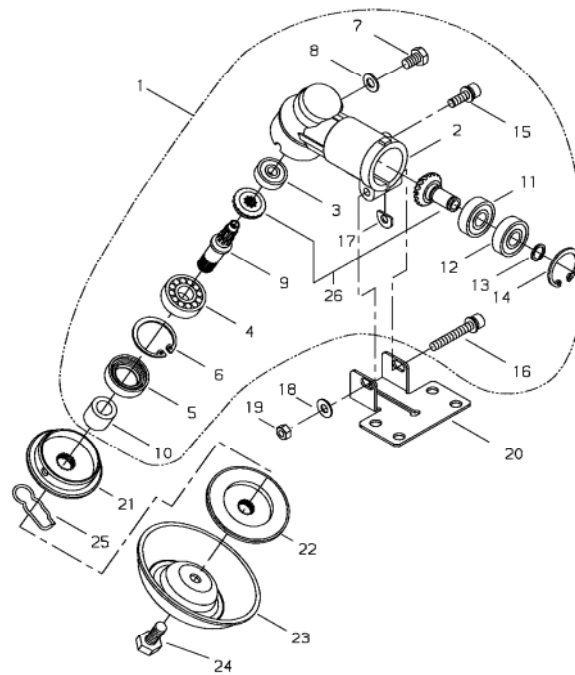
KEY	LV	PART NUMBER	Q'TY	DESCRIPTION	REMARKS	NOTE1	NOTE2
1		37094-62010	1	OUTER PIPE COMP			
2	•	22420-12120	5	BUSH			
3		22000-12413	1	MAIN SHAFT			
4		33008-62340	1	HANGER ASSY			
5	•	33008-62321	1	COLLAR			
6	•	33008-62151	1	HANGER			
7	•	33008-62311	1	CLAMP			
8	•	11203-04160	1	SCREW PM		M4*16	
9	•	01500-04031	1	NUT		M4 MFZN3-C	
10		19402-00223	1	LABEL CAUTION		MAX 8500MIN-1	
11		19422-00010	1	LABEL CAUTION			
12		19404-00037	1	LABEL DECIBEL		112dB(A)	
13		72017-12150	1	HANDLE LABEL			
14		72005-12140	1	CAUTION PLATE			

## 9. 9



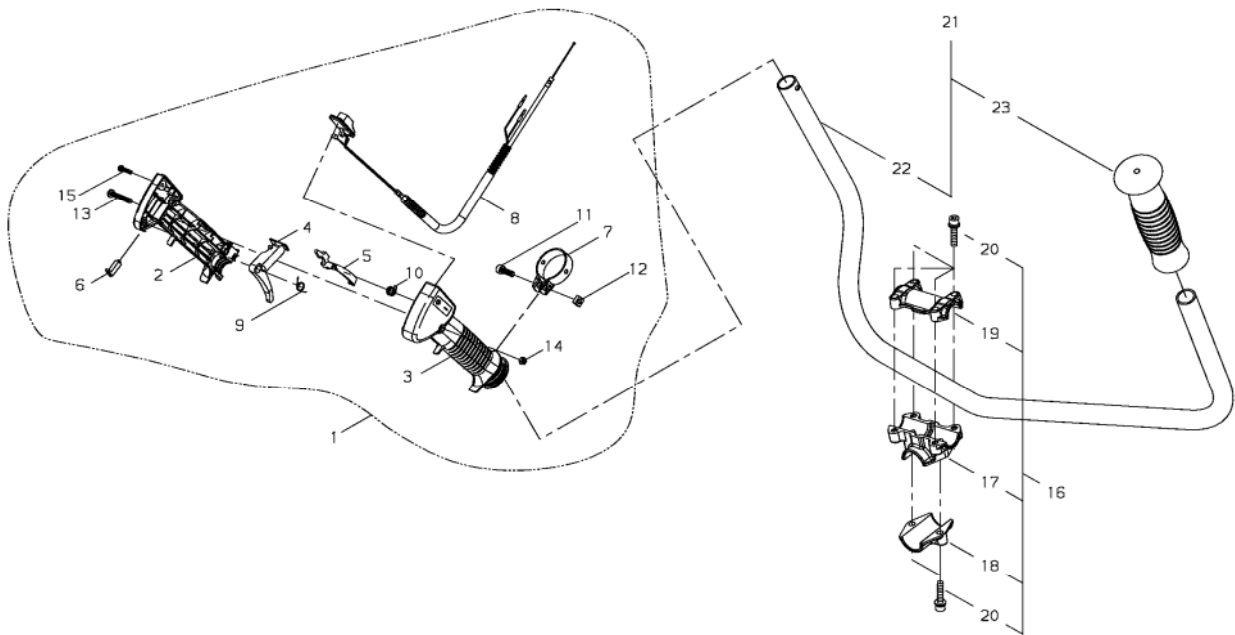
KEY	LV	PART NUMBER	Q'TY	DESCRIPTION	REMARKS	NOTE1	NOTE2
1		63030-63023	1	GEAR CASE SUB ASSY			
2		22420-13110	1	GEAR CASE			
3		02036-00608	1	BEARING		608 DDUMC4(XR230)	
4		37074-63310	1	BEARING			
5		22420-13140	1	OIL SEAL			
6		02432-28120	1	SNAP RING			
7		01014-06100	1	BOLT			
8		01610-06080	1	WASHER		6mm T:0.8 MFZN3-C	
9		22495-13210	1	GEAR SHAFT			
10		22000-13230	1	COLLAR			
11		02000-00609	1	BEARING			
12		02002-00609	1	BEARING		609ZZ	
13		22420-13350	1	SNAP RING			
14		02432-24120	1	SNAP RING		C	
15		11022-05160	1	BOLT SPW		M5*16	
16		11022-05350	1	BOLT SPW		M5*35 SPW	
17		22000-13420	1	SHIM			
18		01613-05080	1	WASHER		MFZN3-C	
19		01500-05041	1	NUT	M5	M5 MFZN3-C	
20		72480-16130	1	LOWER CLAMP			
21		22420-13510	1	HOLDER A			
22		37019-63170	1	HOLDER			
23		72444-13290	1	STABILIZER			
24		22000-13512	1	BOLT			

## 9. 9



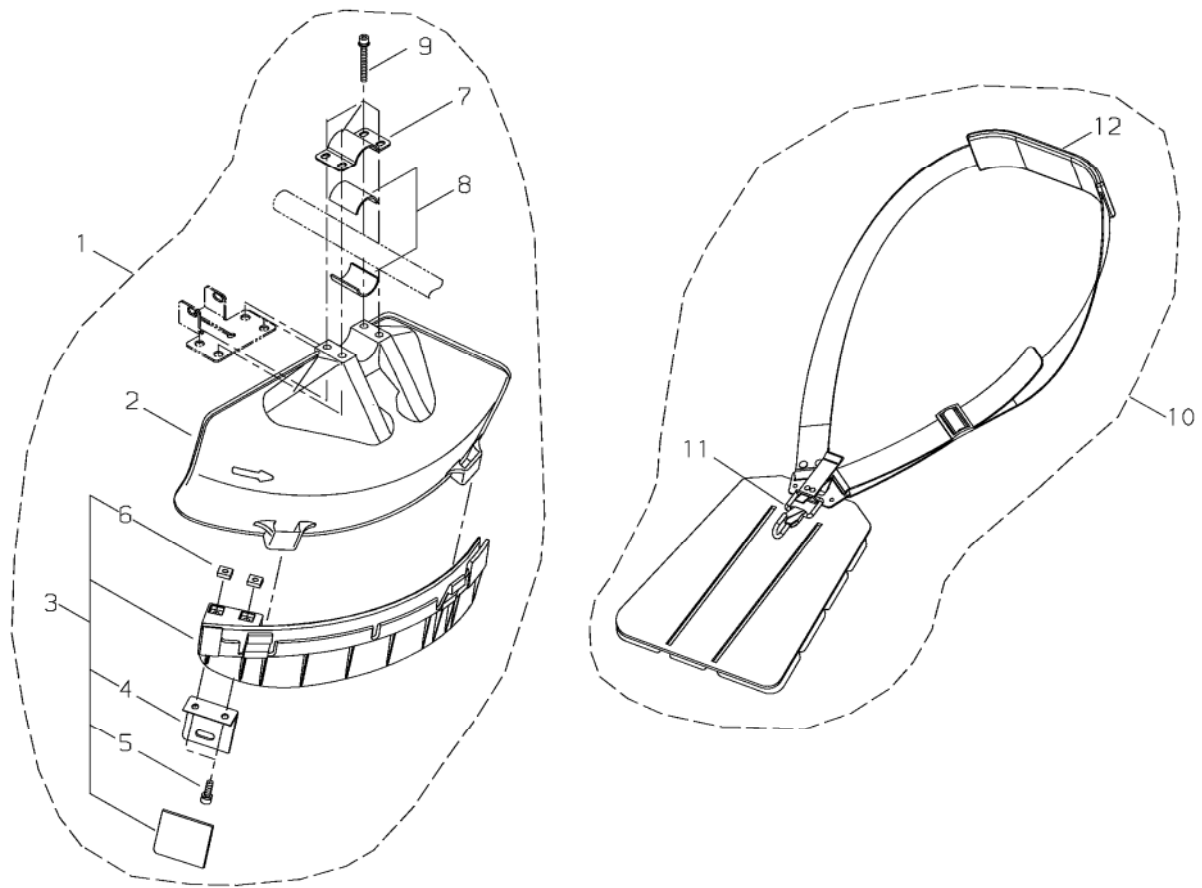
KEY	LV	PART NUMBER	Q'TY	DESCRIPTION	REMARKS	NOTE1	NOTE2
25		22000-13530	1	SLIDE PIN			
26		60088-98310	1	GEAR SET			

## 10. 図10



KEY	LV	PART NUMBER	Q'TY	DESCRIPTION	REMARKS	NOTE1	NOTE2
1		62097-64250	1	THROTTLE LEVER ASSY			
2	•	72431-14510	1	BODY RIGHT			
3	•	72431-14520	1	BODY LEFT			
4	•	72451-14530	1	LEVER			
5	•	72451-14540	1	LOCK LEVER			
6	•	72451-14550	1	BUTTON			
7	•	72451-14560	1	CLAMP			
8	•	62097-64310	1	THROTTLE CABLE COMP			
9	•	72451-14580	1	RETURN SPRING			
10	•	72451-14590	1	SPRING			
11	•	01020-06200	1	BOLT		M6*20	
12	•	72451-14610	1	NUT			
13	•	11203-05351	1	SCREW PM			
14	•	72451-14630	1	NUT			
15	•	72451-14620	1	SCREW TAPPING			
16		34004-64020	1	BRACKET ASSY			
17	•	34004-64110	1	BRACKET			
18	•	34004-64120	1	LOWER CAP			
19	•	34004-64130	1	UPPER CAP			
20	•	11022-05250	6	BOLT SPW		M5*25 (SW,PW)	
21		72529-14200	1	HANDLE SUB ASSY			
22	•	7252914210	1	HANDLE			
23	•	22421-14230	1	GRIP			

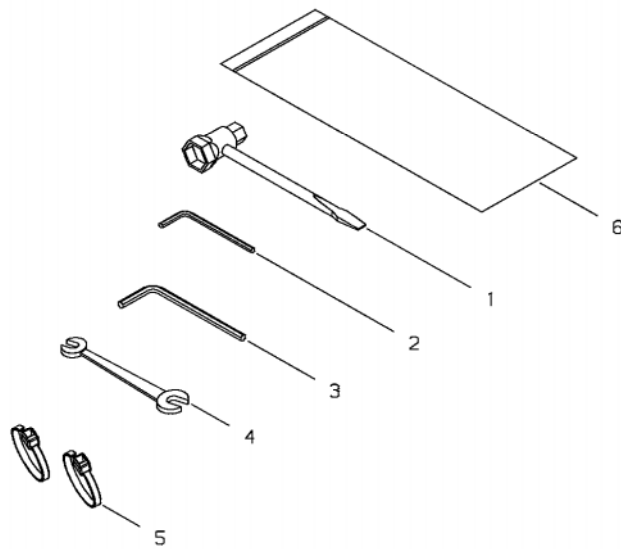
## 11. 図11



KEY	LV	PART NUMBER	Q'TY	DESCRIPTION	REMARKS	NOTE1	NOTE2
1		62903-66322	1	GUARD SET			
2	▪	62903-66111	1	GUARD			
3	▪	62903-66332	1	SUB GUARD ASSY			
4	▪ ▪	72480-16121	1	CUTTER			
5	▪ ▪	11020-05160	2	BOLT SW			
6	▪ ▪	22420-16120	2	NUT			
7	▪	72480-16210	1	UPPER CLAMP			
8	▪	72480-16220	2	SPACER			
9	▪	11022-05450	4	BOLT SPW		M5x45 SPW	
10		72474-17201	1	STRAP ASSY			
11	▪	22421-17130	1	HOOK			
12	▪	22007-17220	1	PROTECTOR			

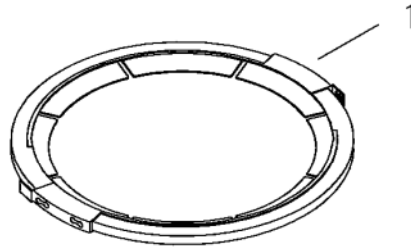


## 12. 図12



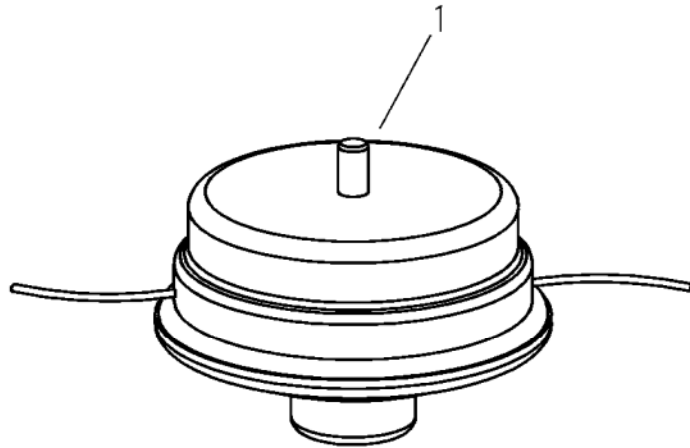
KEY	LV	PART NUMBER	Q'TY	DESCRIPTION	REMARKS	NOTE1	NOTE2
1		22000-91181	1	PLUG WRENCH		19x13	
2		09026-04001	1	HEXA WRENCH	4MM M5㌵	4mm M5	
3		09026-05001	1	HEXA WRENCH 6MM		5mm M6	
4		22000-91120	1	SPANNER		8x10	
5		72431-12190	2	BAND			
6		19639-01400	1	BAG,PACKING	140*200*T0.08	G-8 140*200*t0.08	

## 13. 図 13



KEY	LV	PART NUMBER	Q'TY	DESCRIPTION	REMARKS	NOTE1	NOTE2
1		22550-92310	1	BLADE COVER			

## 14. 14



KEY	LV	PART NUMBER	Q'TY	DESCRIPTION	REMARKS	NOTE1	NOTE2
1		78820-04000	1	TRIMMER HEAD			

**Index**

<b>Patrs Number</b>	<b>Key No.</b>	<b>Patrs Number</b>	<b>Key No.</b>	<b>Patrs Number</b>	<b>Key No.</b>
01014-06100	9 - 7	19402-00223	8 - 10	20019-81570	6 - 26
01020-05120	1 - 16	19404-00008	6 - 44	20019-81580	6 - 27
01020-05250	2 - 10	19404-00037	8 - 12	20019-81610	6 - 29
01020-05500	1 - 14	19420-00026	5 - 18	20019-81620	6 - 30
01020-05600	6 - 52	19422-00010	8 - 11	20019-81630	6 - 31
01020-06200	10 - 11	19639-01400	12 - 6	20019-81641	6 - 32
01270-03062	1 - 12	20000-21211	2 - 8	20019-81660	6 - 33
01270-25064	7 - 6	20000-41111	3 - 1	20019-81670	6 - 34
01500-04031	8 - 9	20000-41210	3 - 2	20019-81680	6 - 35
01500-05041	9 - 19	20000-41310	3 - 3	20019-83320	7 - 12
01600-05131	6 - 53	20000-41320	3 - 4	20019-85351	7 - 13
01610-05080	1 - 15	20000-72230	4 - 11	20019-85600	7 - 19
01610-05080	6 - 54	20000-72241	4 - 8	20020-85540	7 - 11
01610-06080	9 - 8	20000-72250	4 - 9	20024-12260	1 - 7
01613-05080	9 - 18	20000-81150	6 - 10	20024-75120	5 - 3
02000-00609	9 - 11	20000-81260	6 - 7	20024-75130	5 - 4
02002-00609	9 - 12	20000-81540	6 - 24	20024-75140	5 - 6
02006-06000	2 - 13	20000-85221	7 - 9	20024-75160	5 - 7
02036-00608	9 - 3	20003-81140	6 - 9	20024-75180	5 - 9
02403-03100	4 - 2	20005-83160	6 - 57	20024-75190	5 - 8
02432-24120	9 - 14	20010-72221	4 - 7	20024-75200	5 - 10
02432-26120	2 - 14	20011-81460	6 - 19	20024-75210	5 - 11
02432-28120	9 - 6	20011-81470	6 - 20	20024-75220	5 - 12
09026-04001	12 - 2	20011-81680	6 - 28	20024-75230	5 - 13
09026-05001	12 - 3	20018-12120	1 - 2	20024-75240	5 - 14
11020-05160	1 - 3	20018-15150	1 - 13	20024-81770	6 - 48
11020-05160	11 - 5	20018-21100	2 - 1	20024-81790	6 - 42
11020-05350	1 - 4	20018-21111	2 - 2	20024-81790	6 - 51
11022-05160	2 - 18	20018-21122	2 - 6	20024-83152	2 - 31
11022-05160	2 - 24	20018-31330	2 - 15	20024-83210	6 - 55
11022-05160	7 - 23	20018-31411	2 - 25	20029-71600	4 - 4
11022-05160	9 - 15	20018-31420	2 - 26	20035-43230	5 - 15
11022-05200	2 - 32	20018-31430	2 - 27	20035-71220	4 - 3
11022-05200	5 - 16	20018-42000	3 - 7	20035-75170	5 - 5
11022-05250	10 - 20	20018-71200	4 - 1	20035-85522	7 - 17
11022-05250	5 - 17	20018-83311	7 - 10	20040-81430	6 - 16
11022-05300	1 - 8	20018-85113	7 - 2	20055-81810	6 - 6
11022-05300	2 - 19	20018-86112	7 - 20	20087-51210	3 - 11
11022-05350	9 - 16	20018-86120	7 - 21	20087-51231	3 - 12
11022-05450	11 - 9	20019-81120	6 - 3	20089-83120	4 - 12
11023-05250	2 - 28	20019-81182	6 - 12	20110-12211	1 - 5
11024-04261	4 - 15	20019-81280	6 - 13	20110-12221	1 - 6
11203-04160	8 - 8	20019-81310	6 - 15	20110-21201	2 - 5
11203-05351	10 - 13	20019-81440	6 - 17	20110-31130	2 - 17
11524-06211	6 - 43	20019-81450	6 - 18	20110-82140	6 - 41
12492-40080	2 - 9	20019-81510	6 - 21	20110-83311	7 - 16
12900-60010	2 - 3	20019-81520	6 - 22	20110-83431	6 - 36
12900-60010	2 - 7	20019-81530	6 - 23	20110-85320	7 - 14
13000-13506	4 - 13	20019-81560	6 - 25	20115-81770	6 - 47

**Index**

<b>Patrs Number</b>	<b>Key No.</b>	<b>Patrs Number</b>	<b>Key No.</b>	<b>Patrs Number</b>	<b>Key No.</b>
20115-81780	6 - 49	60088-98310	9 - 26	72451-14620	10 - 15
20115-82121	6 - 39	62011-31011	2 - 11	72451-14630	10 - 14
20115-82130	6 - 40	62011-32010	2 - 21	72474-17201	11 - 10
20134-31111	2 - 12	62028-82310	6 - 45	72480-16121	11 - 4
20134-32110	2 - 22	62097-64250	10 - 1	72480-16130	9 - 20
20134-32130	2 - 23	62097-64310	10 - 8	72480-16210	11 - 7
20134-81711	6 - 38	62902-85320	7 - 22	72480-16220	11 - 8
20134-82100	6 - 37	62903-66111	11 - 2	72529-14200	10 - 21
22000-12413	8 - 3	62903-66322	11 - 1	7252914210	10 - 22
22000-13230	9 - 10	62903-66332	11 - 3	72920-81820	6 - 14
22000-13320	2 - 16	63030-63023	9 - 1	72933-85620	7 - 18
22000-13420	9 - 17	70030-71620	4 - 14	78820-04000	14 - 1
22000-13512	9 - 24	70102-75110	5 - 2		
22000-13530	9 - 25	70102-75901	5 - 1		
22000-91120	12 - 4	70103-15150	1 - 11		
22000-91181	12 - 1	70135-15100	1 - 9		
22007-17220	11 - 12	70135-15110	1 - 10		
22100-71430	3 - 13	70135-31470	2 - 30		
22100-82430	6 - 50	70140-51102	3 - 8		
22115-85401	7 - 15	70140-51113	3 - 9		
22128-57250	7 - 5	70144-12110	1 - 1		
22150-21250	2 - 4	70144-81021	6 - 1		
22150-21350	7 - 8	70144-81170	6 - 11		
22155-21330	7 - 7	70144-81320	6 - 5		
22420-12120	8 - 2	70144-81330	6 - 8		
22420-13110	9 - 2	70144-81340	6 - 2		
22420-13140	9 - 5	70168-85201	7 - 3		
22420-13350	9 - 13	70168-85210	7 - 4		
22420-13510	9 - 21	70180-72260	4 - 10		
22420-16120	11 - 6	70192-31510	2 - 20		
22421-14230	10 - 23	70201-71640	4 - 5		
22421-17130	11 - 11	70201-83130	2 - 33		
22495-13210	9 - 9	70201-83140	6 - 56		
22550-92310	13 - 1	70202-32120	2 - 34		
33008-62151	8 - 6	70223-72200	4 - 6		
33008-62311	8 - 7	70223-85000	7 - 1		
33008-62321	8 - 5	72005-12140	8 - 14		
33008-62340	8 - 4	72017-12150	8 - 13		
34004-64020	10 - 16	72431-12190	12 - 5		
34004-64110	10 - 17	72431-14510	10 - 2		
34004-64120	10 - 18	72431-14520	10 - 3		
34004-64130	10 - 19	72444-13290	9 - 23		
37013-51310	3 - 10	72451-14530	10 - 4		
37019-41230	3 - 5	72451-14540	10 - 5		
37019-41240	3 - 6	72451-14550	10 - 6		
37019-63170	9 - 22	72451-14560	10 - 7		
37074-63310	9 - 4	72451-14580	10 - 9		
37094-62010	8 - 1	72451-14590	10 - 10		
60028-98010	6 - 46	72451-14610	10 - 12		

# YAMABIKO CORPORATION

7-2 SUEHIROCHO 1-CHOME, OHME, TOKYO 198-8760, JAPAN  
PHONE: 81-428-32-6118. FAX: 81-428-32-6145.

**shindaiwa<sup>®</sup>**

EC1  
No.