

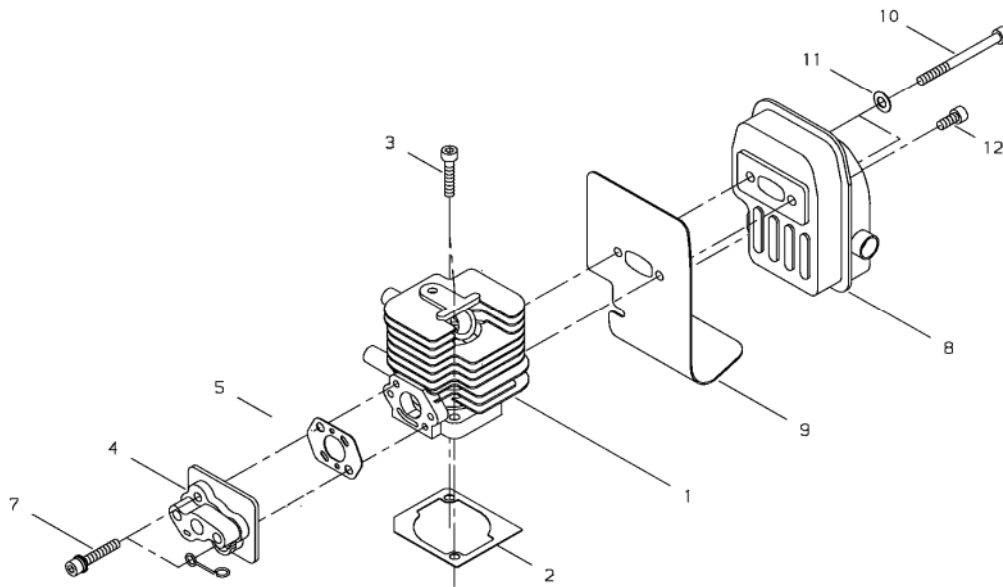
shindaiwa[®]

PARTS CATALOGUE

BRUSHCUTTER C230S EC1

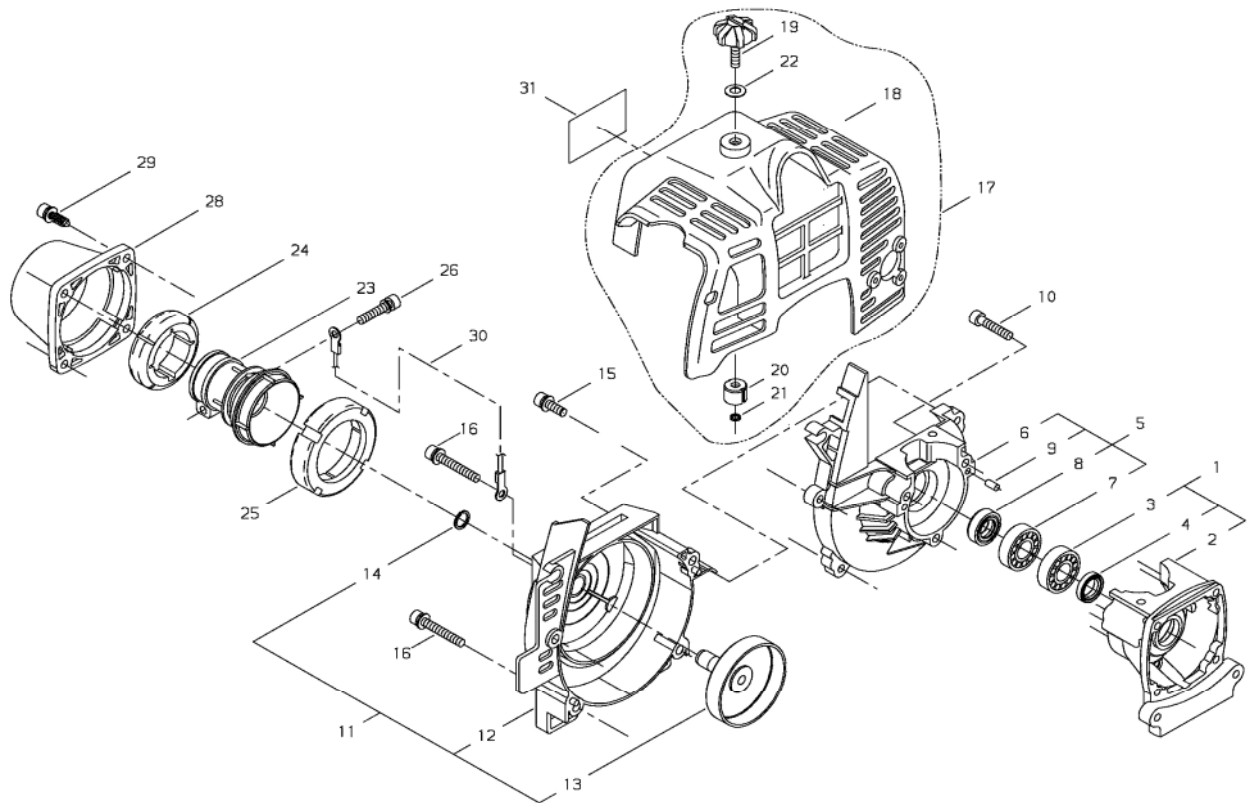
C230S EC1

1. CYLINDER, MUFFLER



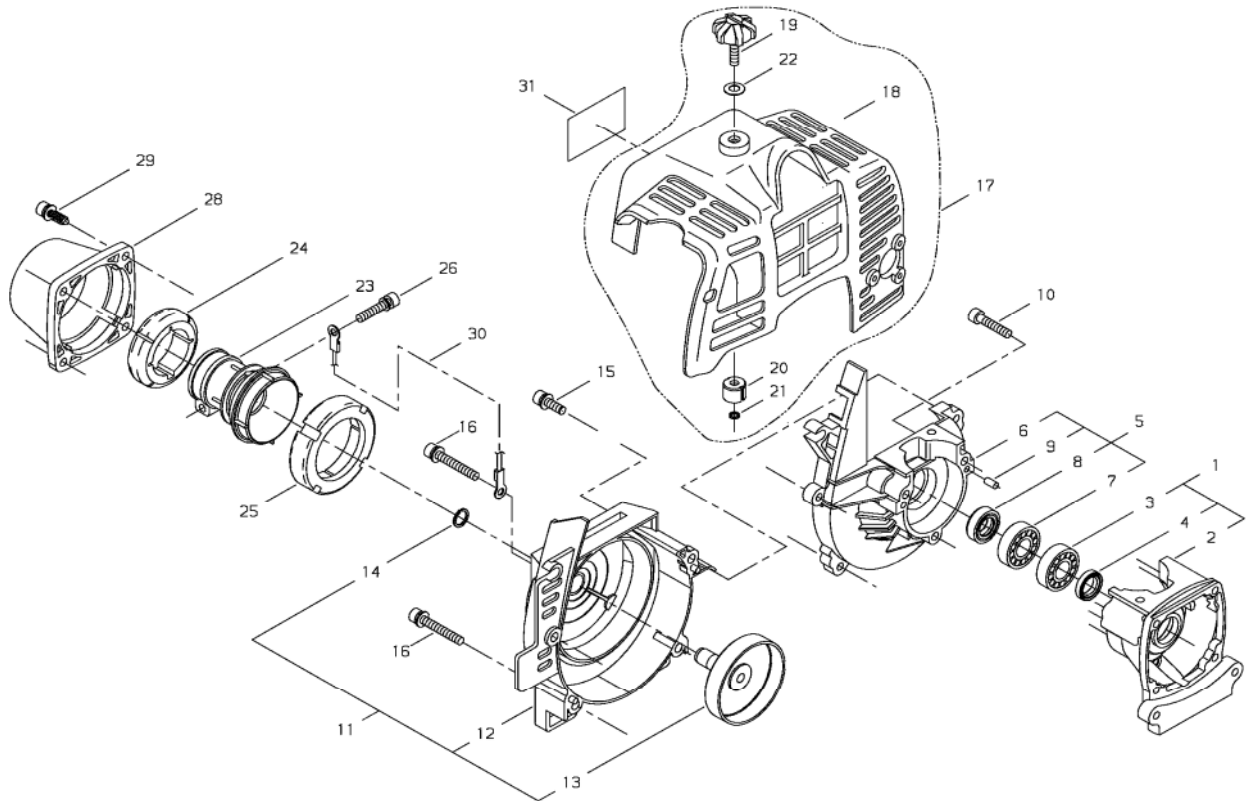
KEY	LV	PART NUMBER	Q'TY	DESCRIPTION	REMARKS	NOTE1	NOTE2
1		62809-12111	1	CYLINDER			
2		20016-12120	1	GASKET			
3		01020-05250	2	BOLT		M5*25	
4		20016-12213	1	INSULATOR			
5		20016-12222	1	GASKET			
7		11022-05300	2	BOLT SW			
8		70135-15110	1	MUFFLER			
9		20016-15123	1	GASKET			
10		01020-05500	2	BOLT		M5*50	
11		01610-05080	2	WASHER		5mm T:0.8 MFZN3-C	
12		01020-05120	1	BOLT	M5*12	M5*12	

2. CRANKCASE, FANCOVER



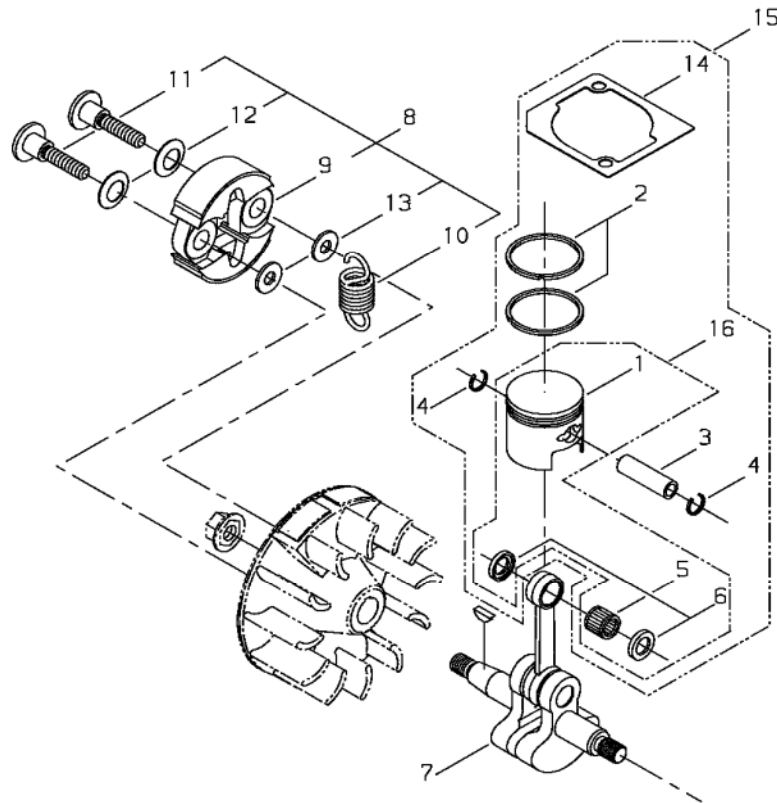
KEY	LV	PART NUMBER	Q'TY	DESCRIPTION	REMARKS	NOTE1	NOTE2
1		20016-21100	1	CRANK CASE S COMP			
2	•	20016-21111	1	CRANK CASE S			
3	•	12900-60010	1	BALL BEARING			
4	•	22150-21250	1	SEAL,OIL			
5		20016-21200	1	CRANK CASE M COMP			
6	•	20016-21120	1	CRANK CASE M			
7	•	12900-60010	1	BALL BEARING			
8	•	20000-21211	1	OIL SEAL			
9	•	12492-40080	2	ROLLER			
10		01020-05250	3	BOLT		M5x25	
11		62078-31010	1	FAN COVER ASSY			
12	•	70140-31112	1	FAN COVER			
13	•	20016-31212	1	CLUTCH DRUM			
14	•	20000-31140	1	SNAP RING			
15		11022-05160	2	BOLT SPW		M5x16	
16		11022-05450	2	BOLT SPW		M5x45 SPW	
17		37027-32100	1	CYLINDER COVER ASSY			
18	•	70140-32111	1	CYLINDER COVER			
19	•	20018-31251	1	KNOB			
20	•	20018-31260	1	INSULATOR			
21	•	20018-31270	1	CLIP			
22	•	20024-81790	1	CONE WASHER			
23		20018-31411	1	JOINT			
24		20018-31420	1	FRONT CUSHION			
25		20018-31430	1	REAR CUSHION			
26		11023-05250	1	BOLT SW		M5x25	

2. CRANKCASE, FANCOVER



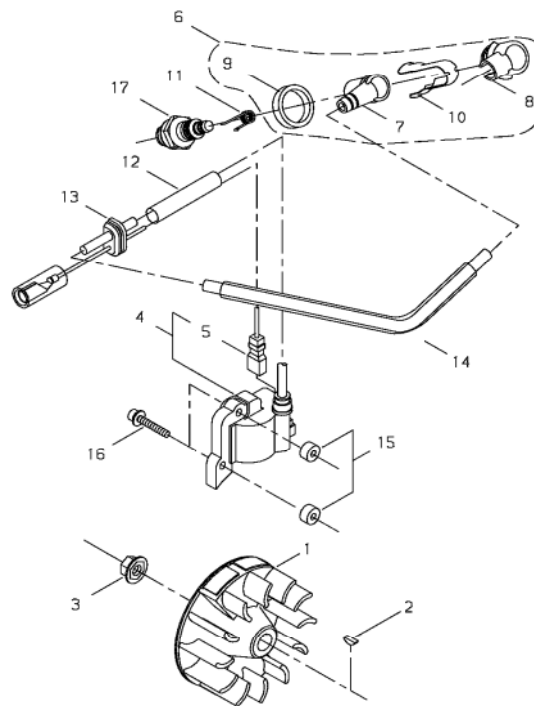
KEY	LV	PART NUMBER	Q'TY	DESCRIPTION	REMARKS	NOTE1	NOTE2
28		70135-31470	1	CAP			
29		70140-31480	4	BOLT PC			
30		70192-31510	1	EARTH CORD			
31		62111-91320	1	LABEL TRADE			

3. CRANKSHAFT, CLUTCH



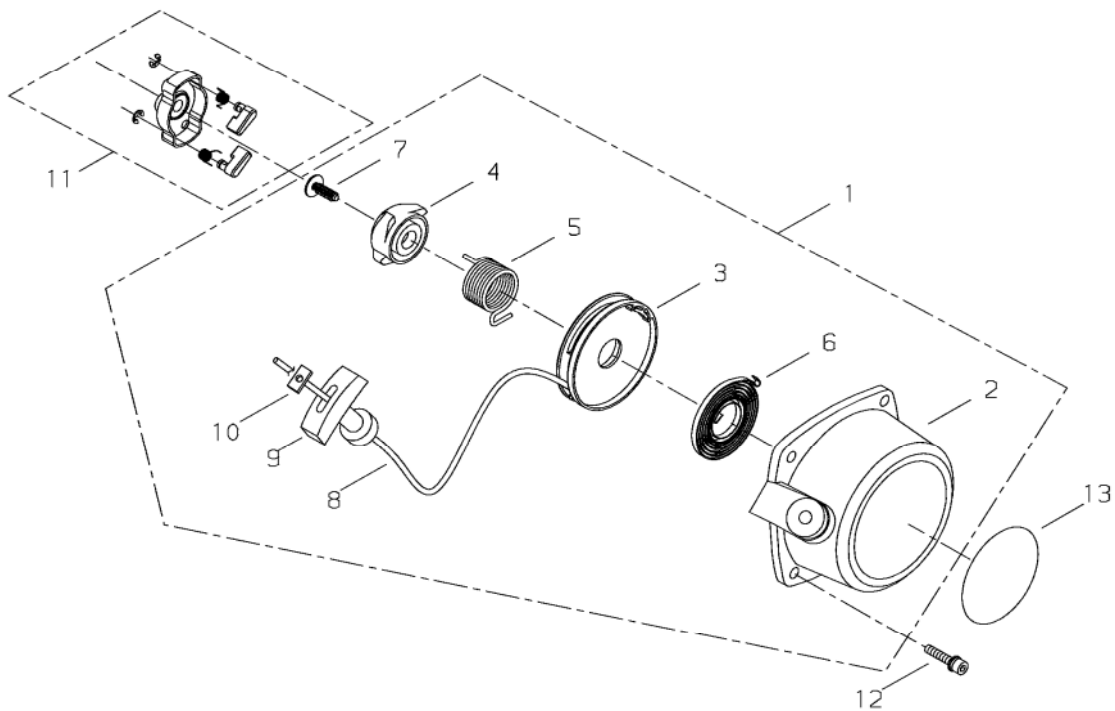
KEY	LV	PART NUMBER	Q'TY	DESCRIPTION	REMARKS	NOTE1	NOTE2
15		70234-98011	1	PISTON SET			
16	•	70234-98310	1	PISTON SET			
1	• •	20075-41111	1	PISTON			
6	• •	37013-41240	2	THRUST WASHER			
2	•	20000-41210	2	PISTON RING			
3	•	20075-41310	1	PISTON PIN			
4	•	70030-41320	2	RING,END			
5	•	37013-41230	1	NEEDLE BEARING			
14	•	20016-12120	1	GASKET			
7		20016-42002	1	CRANK SHAFT ASSY			
8		20087-51101	1	CLUTCH SHOE ASSY			
9	•	20035-51111	2	CLUTCH SHOE			
10	•	20035-51221	1	CLUTCH SPRING			
11	•	20087-51210	2	BOLT			
12	•	20087-51231	2	SPRING PLATE			
13	•	22100-71430	2	WASHER			

4. MAGNETO



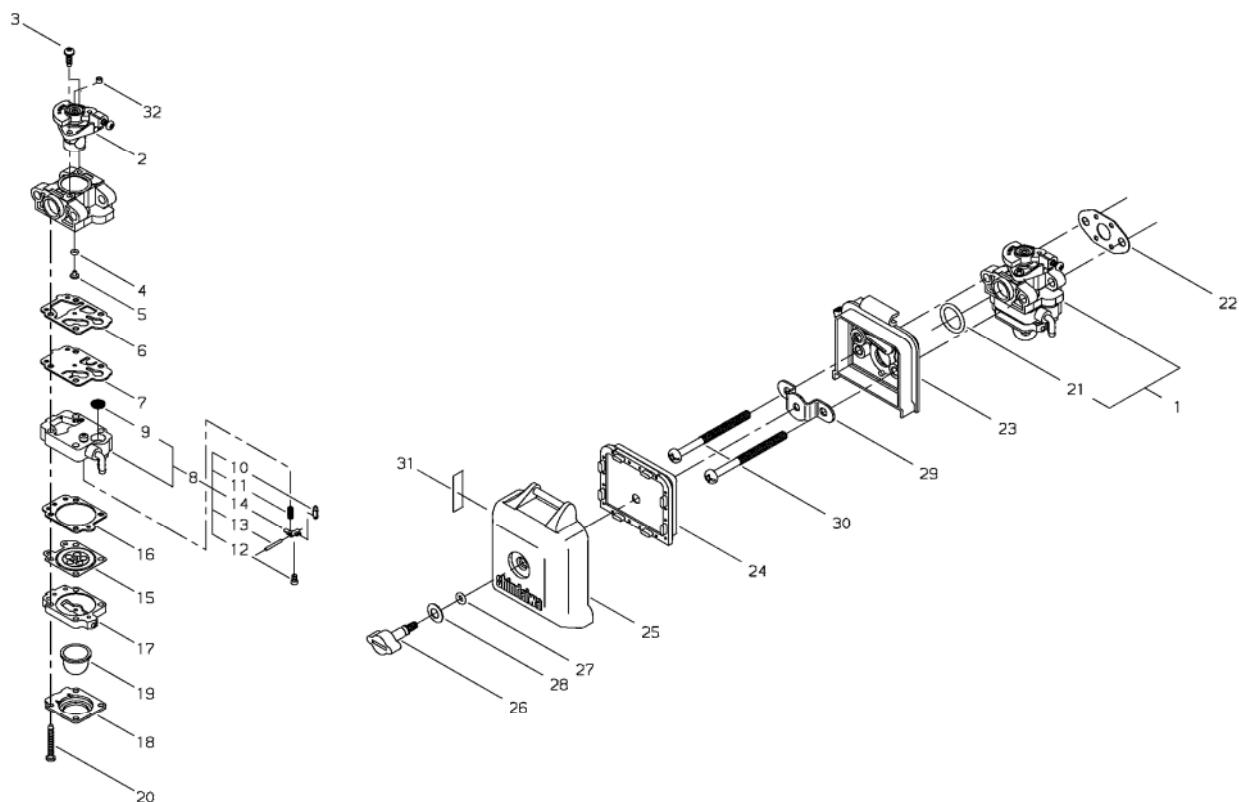
KEY	LV	PART NUMBER	Q'TY	DESCRIPTION	REMARKS	NOTE1	NOTE2
1		20016-71200	1	ROTOR			
2		02403-03100	1	KEY	3*10		
3		20035-71220	1	NUT			
4		20016-71601	1	COIL ASSY			
5	▪	20016-71641	1	CORD			
6		70223-72200	1	PLUG CAP COMP			
7	▪	20010-72221	1	PLUG CAP			
8	▪	20000-72241	1	PLUG CAP COVER			
9	▪	20000-72250	1	COVER BAND			
10	▪	70180-72260	1	SHIELD			
11		20000-72230	1	SPRING SPARK PLUG			
12		20016-71651	1	TUBE		L50	
13		20010-72110	1	GROMMET			
14		20016-71660	1	TUBE		L125	
15		70030-71620	2	INSULATOR			
16		11024-04261	2	BOLT		M4x26	
17		13000-13406	1	SPARK PLUG BMR6A		BMR6A	

5. RECOIL STARTER



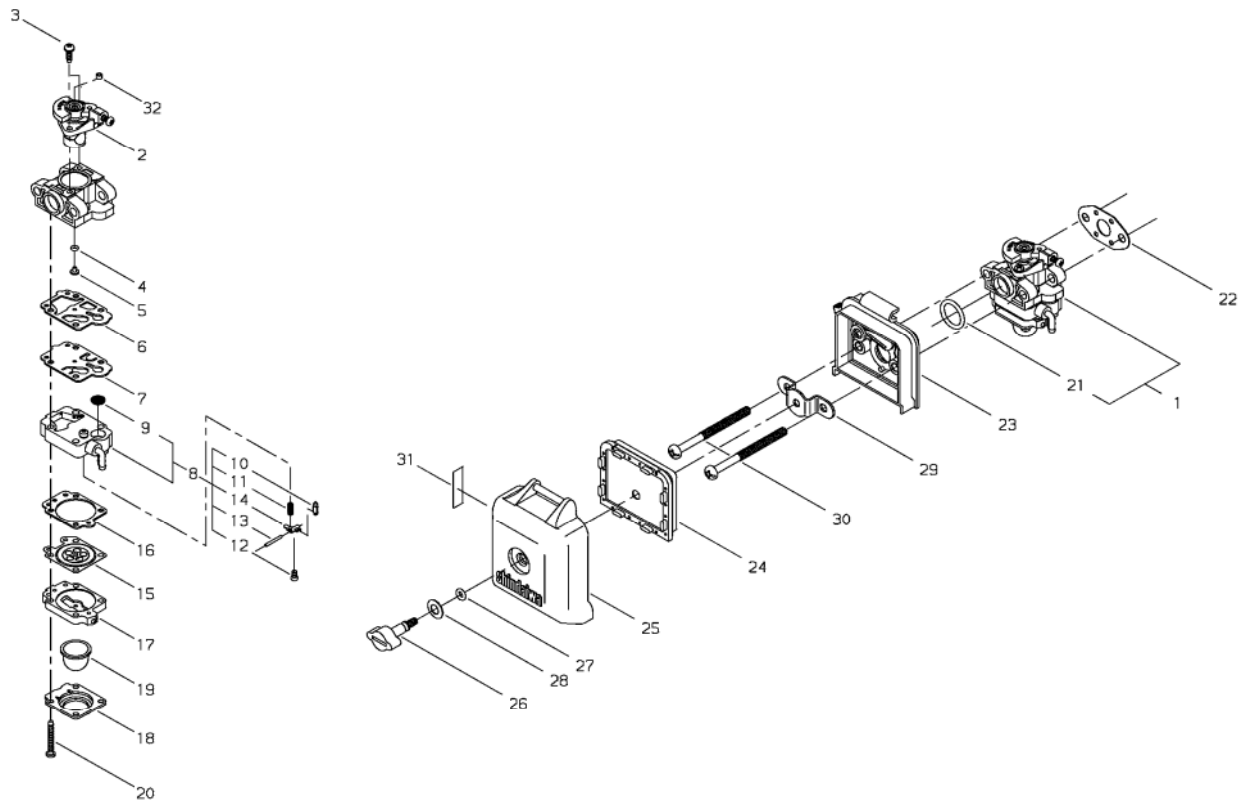
KEY	LV	PART NUMBER	Q'TY	DESCRIPTION	REMARKS	NOTE1	NOTE2
1		37076-75010	1	RECOIL STARTER ASSY			
2	•	37076-75110	1	STARTER CASE			
3	•	37076-75120	1	REEL			
4	•	37076-75310	1	CAM			
5	•	37076-75320	1	COIL SPRING			
6	•	70030-75130	1	RECOIL SPRING			
7	•	37013-75310	1	SCREW			
8	•	37076-75140	1	ROPE			
9	•	20010-75190	1	STARTER KNOB			
10	•	20010-75210	1	STOPPER			
11		62110-75020	1	STARTER PULLEY ASSY			
12		11060-04122	4	BOLT ADHESIVE		M4x12	
13		70117-75311	1	NAME PLATE			

6. CARBURETOR, AIR CLEANER



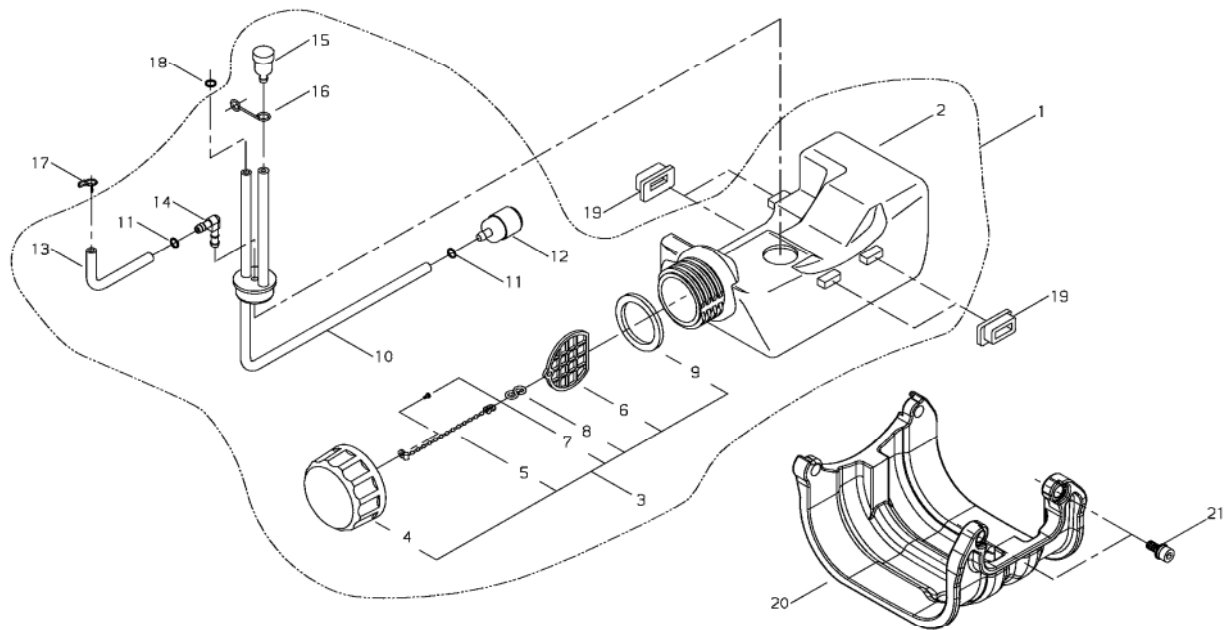
KEY	LV	PART NUMBER	Q'TY	DESCRIPTION	REMARKS	NOTE1	NOTE2
1		62064-81011	1	CARBURETOR ASSY			
2	▪	20016-81180	1	VALVE ASSY			
32	▪	62074-81320	1	PLAG			
3	▪	70064-81290	2	SCREW	M3*10		
4	▪	70097-81220	1	O-RING			
5	▪	62064-81310	1	MAIN JET			
6	▪	70097-81310	1	GASKET,PUMP			
7	▪	70097-81320	1	DIAPHRAGM			
8	▪	20016-81410	1	PUMP BODY COMP			
9	▪ ▪	70030-81380	1	SCREEN			
10	▪ ▪	20036-81440	1	VALVE			
11	▪ ▪	20016-81270	1	SPRING			
12	▪ ▪	20016-81450	1	SCREW			
13	▪ ▪	22100-81250	1	PIN			
14	▪ ▪	22100-81230	1	LEVER, METERING			
15	▪	37013-81310	1	DIAPHRAGM			
16	▪	20016-81280	1	GASKET			
17	▪	20016-81420	1	PUMP BASE COMP			
18	▪	20016-81510	1	PUMP COVER			
19	▪	20036-81670	1	PRIMER PUMP			
20	▪	20016-81140	4	SCREW			
21	▪	20016-81250	1	O RING			
22		20016-81530	1	GASKET			
23		70140-81710	1	CLEANER BODY COMP			
24		60023-98031	1	FILTER			
25		70140-81760	1	CLEANER COVER			

6. CARBURETOR, AIR CLEANER



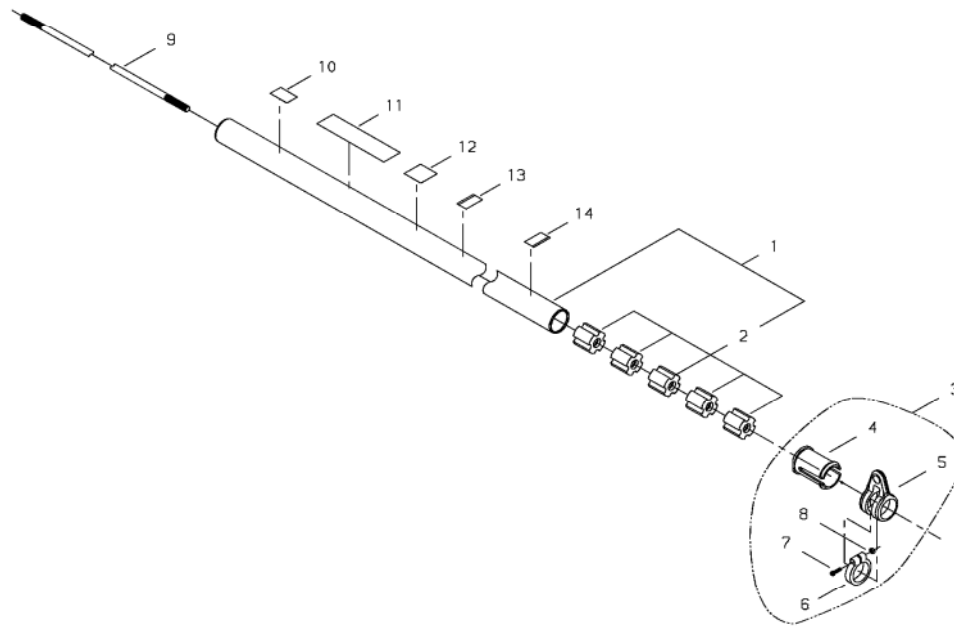
KEY	LV	PART NUMBER	Q'TY	DESCRIPTION	REMARKS	NOTE1	NOTE2
26		20115-81780	1	KNOB CLEANER COVER			
27		22100-82430	1	O RING			
28		20024-81790	1	CONE WASHER			
29		20018-81721	1	BACK PLATE			
30		11203-05608	2	SCREW PM SW		M5x60	
31		19404-00008	1	LABEL CHOKE			

7. FUEL TANK



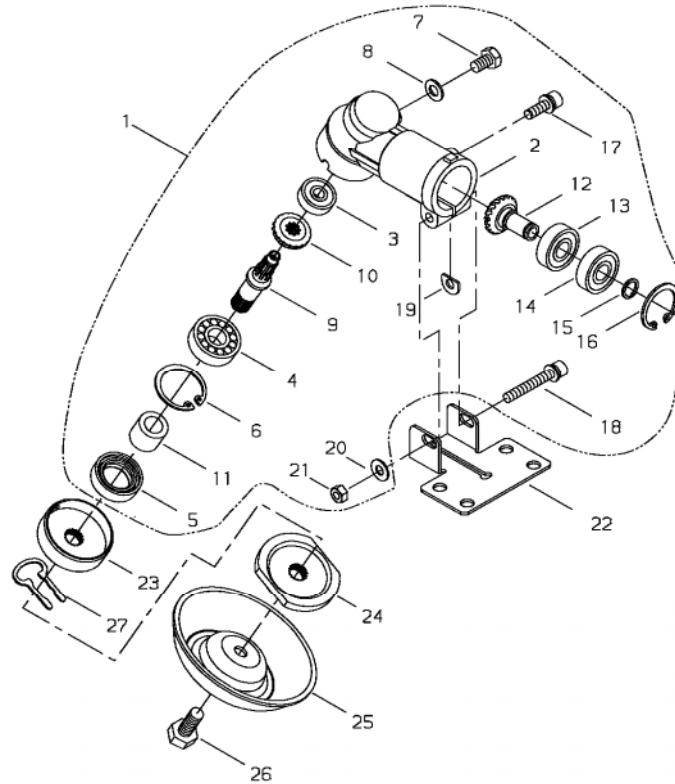
KEY	LV	PART NUMBER	Q'TY	DESCRIPTION	REMARKS	NOTE1	NOTE2
1		70192-85001	1	FUEL TANK ASSY			
2	▪	20016-85112	1	FUEL TANK			
3	▪	70168-85201	1	FUEL CAP ASSY			
4	▪ ▪	70168-85210	1	FUEL CAP			
5	▪ ▪	22128-57250	1	CHAIN CAP			
6	▪ ▪	22155-21330	1	HOOK			
7	▪ ▪	01270-25064	1	SCREW TAPPING			
8	▪ ▪	22150-21350	1	CLIP			
9	▪ ▪	20000-85221	1	GASKET			
10	▪	20016-85310	1	FUEL PIPE			
11	▪	20020-85540	2	CLIP			
12	▪	20016-85400	1	FUEL FILTER			
13	▪	20089-83311	1	PIPE			
14	▪	20087-85340	1	JOINT,PIPE			
15	▪	20035-85522	1	VALVE			
16	▪	20016-12310	1	VALVE HOLDER			
17		37013-85310	1	CLIP			
18		20020-85540	1	CLIP			
19		20024-86120	4	TANK CUSHION			
20		62902-85320	1	TANK GUARD			
21		11022-05160	2	BOLT SPW		M5x16	

8. OUTER PIPE



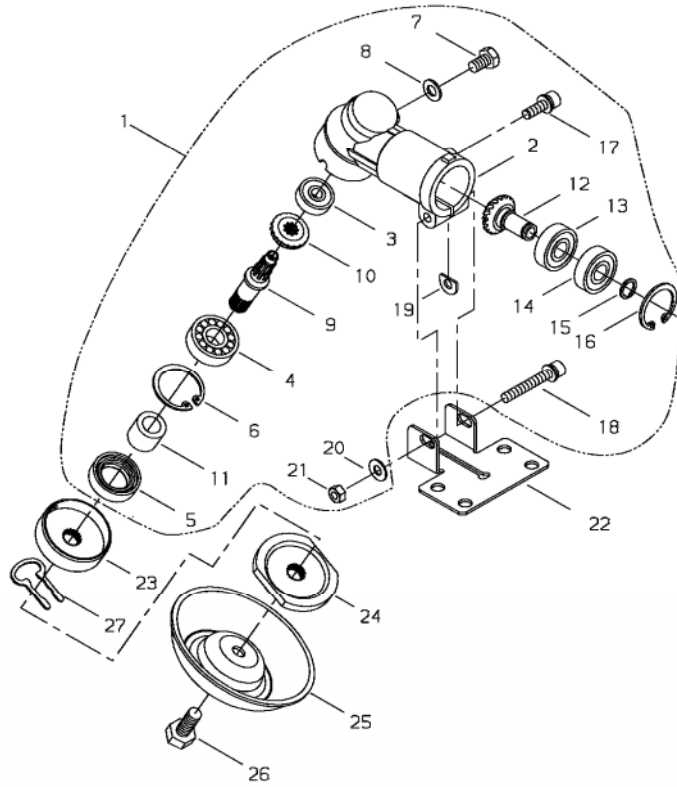
KEY	LV	PART NUMBER	Q'TY	DESCRIPTION	REMARKS	NOTE1	NOTE2
1		72432-12100	1	OUTER PIPE SUB ASSY			
2		22035-12121	5	BUSH			
3		33008-62340	1	HANGER ASSY			
4		33008-62321	1	COLLAR			
5		33008-62151	1	HANGER			
6		33008-62311	1	CLAMP			
7		11203-04160	1	SCREW PM		M4*16	
8		01500-04031	1	NUT		M4 MFZN3-C	
9		22070-12410	1	MAIN SHAFT			
10		19402-00223	1	LABEL CAUTION			MAX 8500MIN-1
11		19422-00010	1	LABEL CAUTION			
12		19404-00036	1	LABEL DECIBEL			111dB(A)
13		72017-12150	1	HANDLE LABEL			
14		72005-12140	1	CAUTION PLATE			

9. GEAR CASE



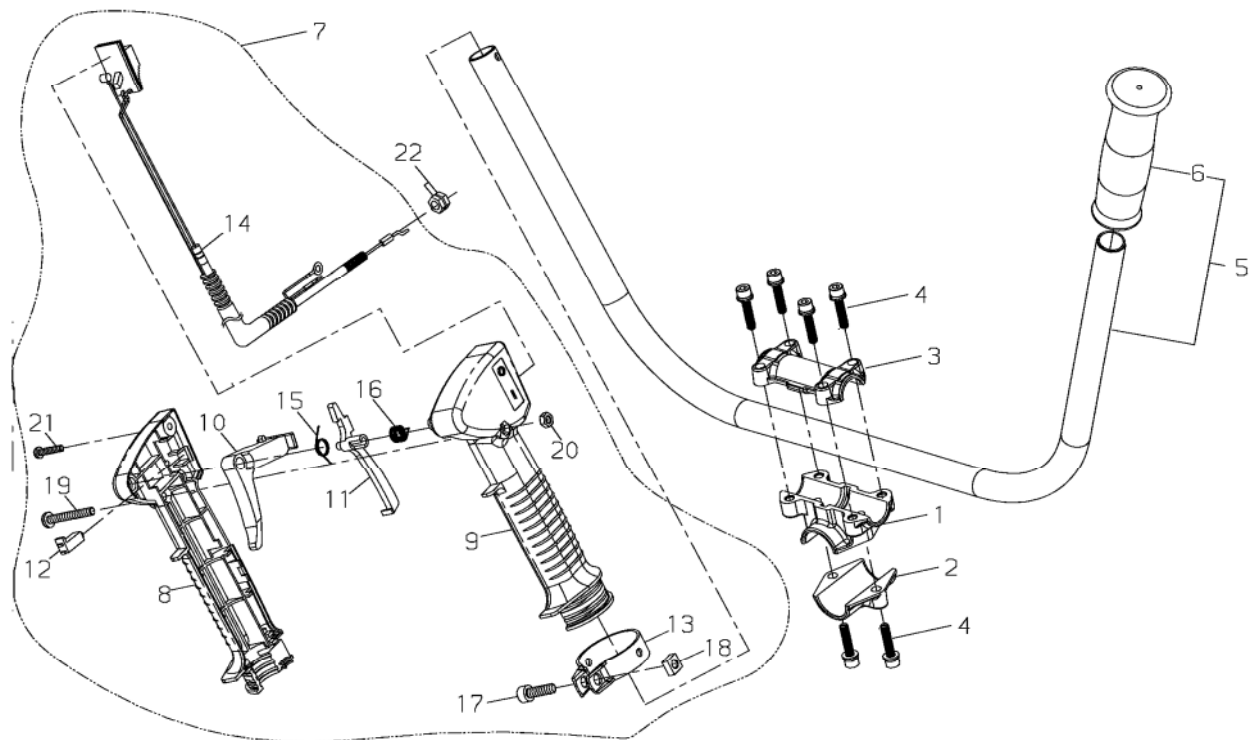
KEY	LV	PART NUMBER	Q'TY	DESCRIPTION	REMARKS	NOTE1	NOTE2
1		63901-63022	1	GEAR CASE SUB ASSY			
2	•	22035-13113	1	GEAR CASE			
3	•	02006-00626	1	BEARING		626DDU	
4	•	02000-06000	1	BEARING			
5	•	22035-13140	1	OIL SEAL			
6	•	02432-26120	1	SNAP RING		26mm C	
7	•	01014-06100	1	BOLT			
8	•	22000-13410	1	GASKET			
9	•	22410-13210	1	GEAR SHAFT			
10	•	22035-13220	1	BEVEL GEAR			
11	•	22035-13230	1	COLLAR			
12	•	22035-13391	1	PINION SET			
13	•	02000-00608	1	BEARING			
14	•	02002-00608	1	BEARING	608ZZ	608ZZ	
15	•	22035-13340	1	SNAP RING			
16	•	02432-22100	1	SNAP RING		C	
17	•	11022-05160	1	BOLT SPW		M5*16	
18	•	11022-05350	1	BOLT SPW		M5*35 SPW	
19	•	22000-13420	1	SHIM			
20	•	01613-05080	1	WASHER		MFZN3-C	
21	•	01500-05041	1	NUT	M5	M5 MFZN3-C	
22		72480-16130	1	LOWER CLAMP			
23		22035-13242	1	HOLDER A			
24		22410-13251	1	HOLDER B			
25		62006-63310	1	STABILIZER			
26		22035-13271	1	BOLT			

9. GEAR CASE



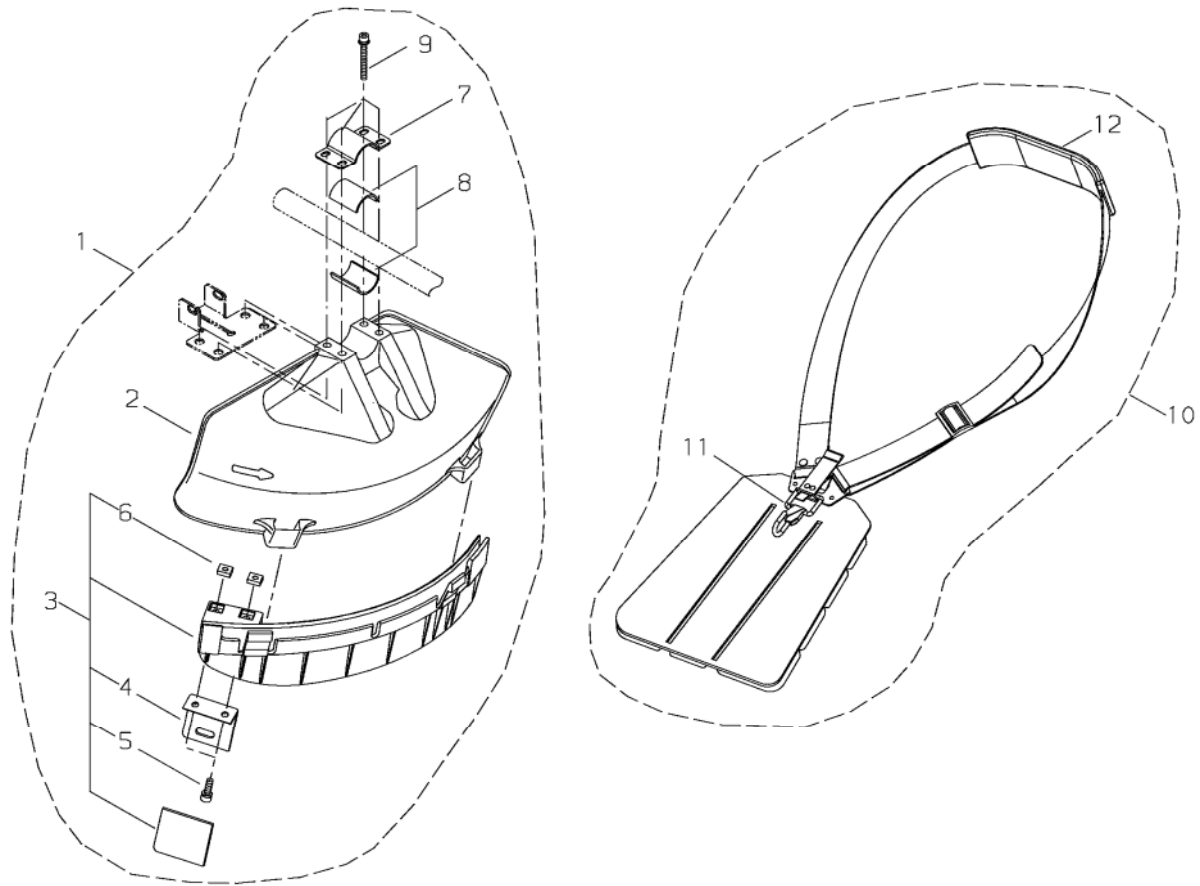
KEY	LV	PART NUMBER	Q'TY	DESCRIPTION	REMARKS	NOTE1	NOTE2
27		22410-13530	1	SLIDE CLIP			

10. HANDLE



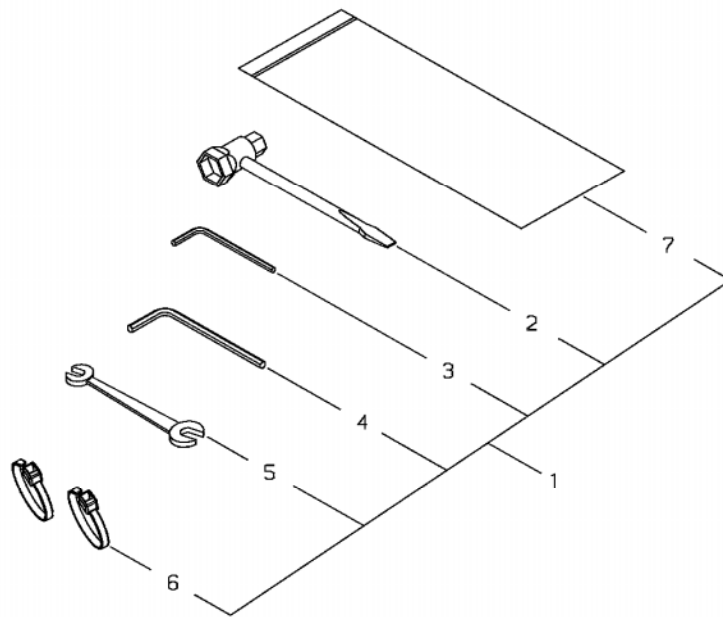
KEY	LV	PART NUMBER	Q'TY	DESCRIPTION	REMARKS	NOTE1	NOTE2
1		34004-64110	1	BRACKET			
2		34004-64120	1	LOWER CAP			
3		34004-64130	1	UPPER CAP			
4		11022-05250	6	BOLT SPW		M5*25 (SW,PW)	
5		72431-14200	1	HANDLE SUB ASSY			
6		22421-14230	1	GRIP			
7		72528-14503	1	THROTTLE LEVER ASSY			
8		72431-14510	1	BODY RIGHT			
9		72431-14520	1	BODY LEFT			
10		72451-14530	1	LEVER			
11		72451-14540	1	LOCK LEVER			
12		72451-14550	1	BUTTON			
13		72451-14560	1	CLAMP			
14		72528-14572	1	THROTTLE CABLE COMP			
15		72451-14580	1	RETURN SPRING			
16		72451-14590	1	SPRING			
17		01020-06200	1	BOLT		M6*20	
18		72451-14610	1	NUT			
19		11203-05351	1	SCREW PM			
20		72451-14630	1	NUT			
21		72451-14620	1	SCREW TAPPING			
22		01501-06041	2	NUT	M6	M6 MFZN3-C	

11. GUARD, STRAP



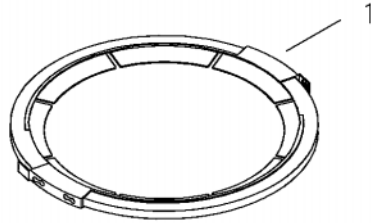
KEY	LV	PART NUMBER	Q'TY	DESCRIPTION	REMARKS	NOTE1	NOTE2
1		62903-66322	1	GUARD SET			
2	▪	62903-66111	1	GUARD			
3	▪	62903-66332	1	SUB GUARD ASSY			
4	▪ ▪	72480-16121	1	CUTTER			
5	▪ ▪	11020-05160	2	BOLT SW			
6	▪ ▪	22420-16120	2	NUT			
7	▪	72480-16210	1	UPPER CLAMP			
8	▪	72480-16220	2	SPACER			
9	▪	11022-05450	4	BOLT SPW		M5x45 SPW	
10		72474-17201	1	STRAP ASSY			
11	▪	22421-17130	1	HOOK			
12	▪	22007-17220	1	PROTECTOR			

12. TOOL



KEY	LV	PART NUMBER	Q'TY	DESCRIPTION	REMARKS	NOTE1	NOTE2
1		72528-91001	1	TOOL SET			
2	▪	22000-91181	1	PLUG WRENCH		19x13	
3	▪	09026-04001	1	HEXA WRENCH	4MM M5㉿	4mm M5	
4	▪	09026-05001	1	HEXA WRENCH 6MM		5mm M6	
5	▪	22000-91120	1	SPANNER		8x10	
6	▪	72431-12190	2	BAND			
7		19639-01400	1	BAG,PACKING	140*200*T0.08	140*200*t0.08	

13. BLADE COVER



KEY	LV	PART NUMBER	Q'TY	DESCRIPTION	REMARKS	NOTE1	NOTE2
1		22550-92310	1	BLADE COVER			

Index

Patrs Number	Key No.	Patrs Number	Key No.	Patrs Number	Key No.
01014-06100	9 - 7	20000-72241	4 - 8	20035-51111	3 - 9
01020-05120	1 - 12	20000-72250	4 - 9	20035-51221	3 - 10
01020-05250	1 - 3	20000-85221	7 - 9	20035-71220	4 - 3
01020-05250	2 - 10	20010-72110	4 - 13	20035-85522	7 - 15
01020-05500	1 - 10	20010-72221	4 - 7	20036-81440	6 - 10
01020-06200	10 - 17	20010-75190	5 - 9	20036-81670	6 - 19
01270-25064	7 - 7	20010-75210	5 - 10	20075-41111	3 - 1
01500-04031	8 - 8	20016-12120	1 - 2	20075-41310	3 - 3
01500-05041	9 - 21	20016-12120	3 - 14	20087-51101	3 - 8
01501-06041	10 - 22	20016-12213	1 - 4	20087-51210	3 - 11
01610-05080	1 - 11	20016-12222	1 - 5	20087-51231	3 - 12
01613-05080	9 - 20	20016-12310	7 - 16	20087-85340	7 - 14
02000-00608	9 - 13	20016-15123	1 - 9	20089-83311	7 - 13
02000-06000	9 - 4	20016-21100	2 - 1	20115-81780	6 - 26
02002-00608	9 - 14	20016-21111	2 - 2	22000-13410	9 - 8
02006-00626	9 - 3	20016-21120	2 - 6	22000-13420	9 - 19
02403-03100	4 - 2	20016-21200	2 - 5	22000-91120	12 - 5
02432-22100	9 - 16	20016-31212	2 - 13	22000-91181	12 - 2
02432-26120	9 - 6	20016-42002	3 - 7	22007-17220	11 - 12
09026-04001	12 - 3	20016-71200	4 - 1	22035-12121	8 - 2
09026-05001	12 - 4	20016-71601	4 - 4	22035-13113	9 - 2
11020-05160	11 - 5	20016-71641	4 - 5	22035-13140	9 - 5
11022-05160	2 - 15	20016-71651	4 - 12	22035-13220	9 - 10
11022-05160	7 - 21	20016-71660	4 - 14	22035-13230	9 - 11
11022-05160	9 - 17	20016-81140	6 - 20	22035-13242	9 - 23
11022-05250	10 - 4	20016-81180	6 - 2	22035-13271	9 - 26
11022-05300	1 - 7	20016-81250	6 - 21	22035-13340	9 - 15
11022-05350	9 - 18	20016-81270	6 - 11	22035-13391	9 - 12
11022-05450	2 - 16	20016-81280	6 - 16	22070-12410	8 - 9
11022-05450	11 - 9	20016-81410	6 - 8	22100-71430	3 - 13
11023-05250	2 - 26	20016-81420	6 - 17	22100-81230	6 - 14
11024-04261	4 - 16	20016-81450	6 - 12	22100-81250	6 - 13
11060-04122	5 - 12	20016-81510	6 - 18	22100-82430	6 - 27
11203-04160	8 - 7	20016-81530	6 - 22	22128-57250	7 - 5
11203-05351	10 - 19	20016-85112	7 - 2	22150-21250	2 - 4
11203-05608	6 - 30	20016-85310	7 - 10	22150-21350	7 - 8
12492-40080	2 - 9	20016-85400	7 - 12	22155-21330	7 - 6
12900-60010	2 - 3	20018-31251	2 - 19	22410-13210	9 - 9
12900-60010	2 - 7	20018-31260	2 - 20	22410-13251	9 - 24
13000-13406	4 - 17	20018-31270	2 - 21	22410-13530	9 - 27
19402-00223	8 - 10	20018-31411	2 - 23	22420-16120	11 - 6
19404-00008	6 - 31	20018-31420	2 - 24	22421-14230	10 - 6
19404-00036	8 - 12	20018-31430	2 - 25	22421-17130	11 - 11
19422-00010	8 - 11	20018-81721	6 - 29	22550-92310	13 - 1
19639-01400	12 - 7	20020-85540	7 - 11	33008-62151	8 - 5
20000-21211	2 - 8	20020-85540	7 - 18	33008-62311	8 - 6
20000-31140	2 - 14	20024-81790	2 - 22	33008-62321	8 - 4
20000-41210	3 - 2	20024-81790	6 - 28	33008-62340	8 - 3
20000-72230	4 - 11	20024-86120	7 - 19	34004-64110	10 - 1

Index

Patrs Number	Key No.	Patrs Number	Key No.	Patrs Number	Key No.
34004-64120	10 - 2	70223-72200	4 - 6		
34004-64130	10 - 3	70234-98011	3 - 15		
37013-41230	3 - 5	70234-98310	3 - 16		
37013-41240	3 - 6	72005-12140	8 - 14		
37013-75310	5 - 7	72017-12150	8 - 13		
37013-81310	6 - 15	72431-12190	12 - 6		
37013-85310	7 - 17	72431-14200	10 - 5		
37027-32100	2 - 17	72431-14510	10 - 8		
37076-75010	5 - 1	72431-14520	10 - 9		
37076-75110	5 - 2	72432-12100	8 - 1		
37076-75120	5 - 3	72451-14530	10 - 10		
37076-75140	5 - 8	72451-14540	10 - 11		
37076-75310	5 - 4	72451-14550	10 - 12		
37076-75320	5 - 5	72451-14560	10 - 13		
60023-98031	6 - 24	72451-14580	10 - 15		
62006-63310	9 - 25	72451-14590	10 - 16		
62064-81011	6 - 1	72451-14610	10 - 18		
62064-81310	6 - 5	72451-14620	10 - 21		
62074-81320	6 - 32	72451-14630	10 - 20		
62078-31010	2 - 11	72474-17201	11 - 10		
62110-75020	5 - 11	72480-16121	11 - 4		
62111-91320	2 - 31	72480-16130	9 - 22		
62809-12111	1 - 1	72480-16210	11 - 7		
62902-85320	7 - 20	72480-16220	11 - 8		
62903-66111	11 - 2	72528-14503	10 - 7		
62903-66322	11 - 1	72528-14572	10 - 14		
62903-66332	11 - 3	72528-91001	12 - 1		
63901-63022	9 - 1				
70030-41320	3 - 4				
70030-71620	4 - 15				
70030-75130	5 - 6				
70030-81380	6 - 9				
70064-81290	6 - 3				
70097-81220	6 - 4				
70097-81310	6 - 6				
70097-81320	6 - 7				
70117-75311	5 - 13				
70135-15110	1 - 8				
70135-31470	2 - 28				
70140-31112	2 - 12				
70140-31480	2 - 29				
70140-32111	2 - 18				
70140-81710	6 - 23				
70140-81760	6 - 25				
70168-85201	7 - 3				
70168-85210	7 - 4				
70180-72260	4 - 10				
70192-31510	2 - 30				
70192-85001	7 - 1				

YAMABIKO CORPORATION

7-2 SUEHIROCHO 1-CHOME, OHME, TOKYO 198-8760, JAPAN
PHONE: 81-428-32-6118. FAX: 81-428-32-6145.

shindaiwa[®]

EC1
No.