

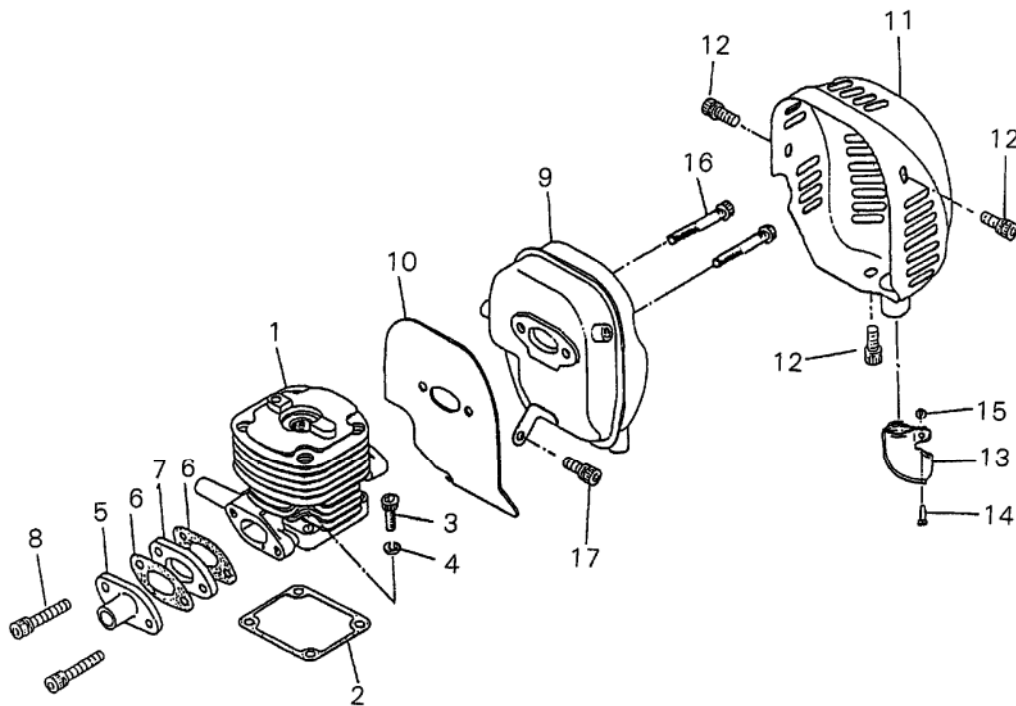
shindaiwa[®]

PARTS CATALOGUE

BRUSHCUTTER BP35 BP40LT

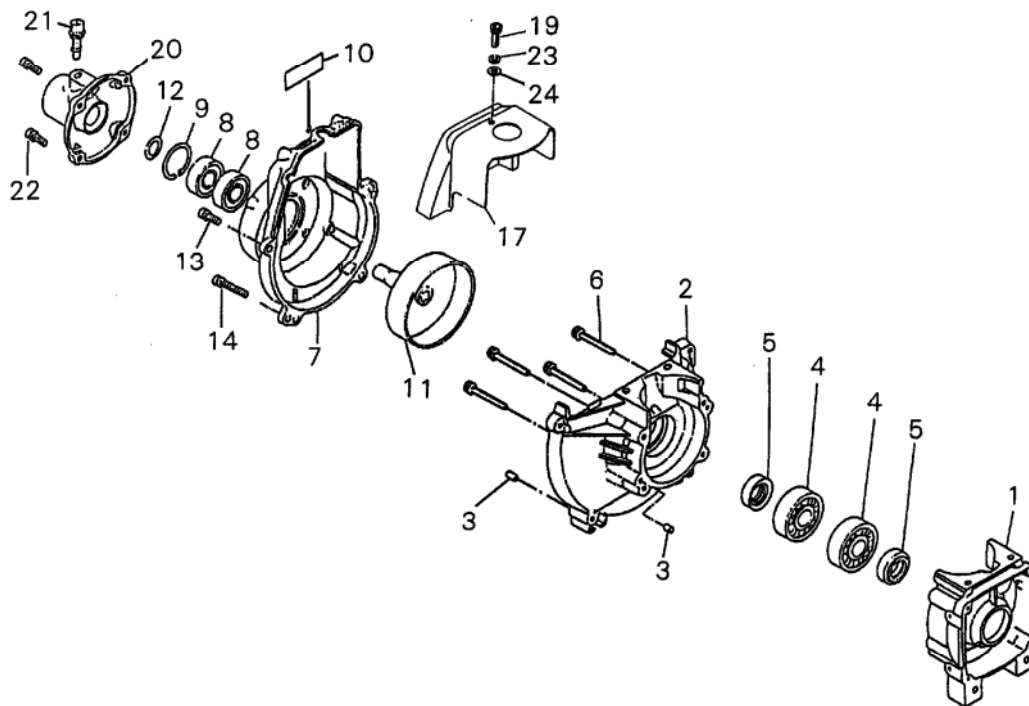
BP35_BP40L_T

1. CYLINDER, MUFFLER



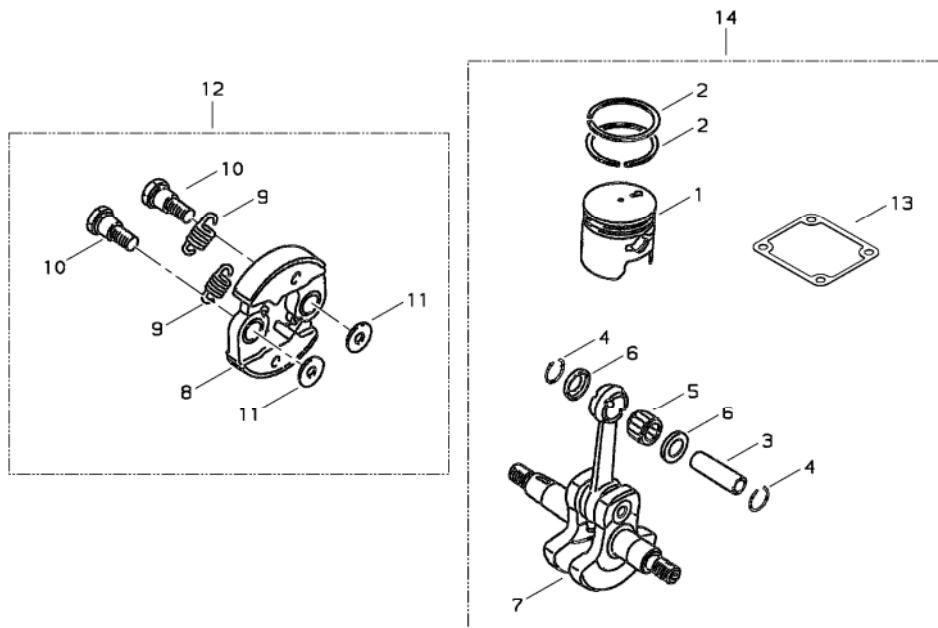
KEY	LV	PART NUMBER	Q'TY	DESCRIPTION	REMARKS	NOTE1	NOTE2
1		70196-12110	1	CYLINDER			
2		20010-12121	1	GASKET CYLINDER			
3		01020-05250	4	BOLT		M5x25	
4		01600-05131	4	SPRING WASHER			
5		20051-12211	1	INLET PIPE			
6		20051-12221	2	GASKET INSULATOR			
7		20051-12230	1	INSULATOR			
8		11022-05250	2	BOLT SPW		M5x25	
9		20051-15110	1	MUFFLER			
10		20050-15210	1	GASKET MUFFLER			
11		20051-15310	1	MUFFLER GUARD			
12		11024-05100	3	BOLT SLPW		M5x10	
13		20050-15410	1	TAIL PIPE			
14		11203-04100	1	SCREW PM		M4x10	
15		01500-04031	1	NUT			
16		01020-06250	2	BOLT		M6x25	
17		11024-05120	1	BOLT SLPW		M5x12	

2. CRANKCASE, FANCOVER



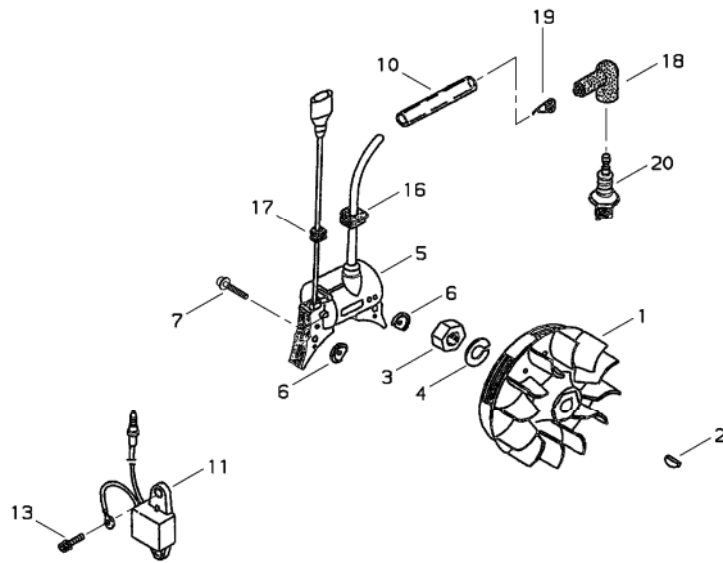
KEY	LV	PART NUMBER	Q'TY	DESCRIPTION	REMARKS	NOTE1	NOTE2
1		70084-21110	1	CRANK CASE S			
2		70084-21121	1	CRANK CASE M			
3		12492-50100	4	ROLLER			
4		12900-62020	2	BEARING		6202,C3	
5		20010-21211	2	OIL SEAL			
6		01020-05300	4	BOLT		M5x30	
7		70084-31111	1	FAN COVER			
8		02006-06002	2	BEARING		6002DDU	
9		02432-32120	1	SNAP RING			
10		70084-31150	1	NAME PLATE			
11		20050-31210	1	CLUTCH DRUM			
12		20011-31230	1	SNAP RING			
13		11022-05200	2	BOLT SPW		M5x20	
14		11022-05350	2	BOLT SPW		M5x35	
17		70062-32110	1	CYLINDER COVER			
19		01020-05140	1	BOLT		M5x14	
23		01600-05131	1	SPRING WASHER			
24		20010-15320	1	WASHER			
20		20051-35130	1	JOINT CASE			
21		20112-35200	1	PIN COMP			
22		11022-05200	4	BOLT SPW		M5x20	

3. PISTON, CRANKSHAFT, CLUTCH SHOE



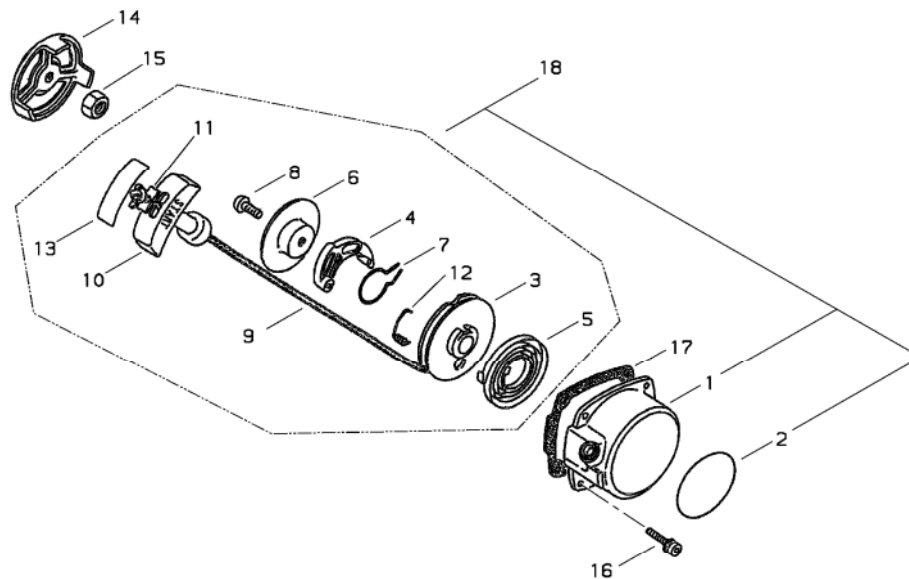
KEY	LV	PART NUMBER	Q'TY	DESCRIPTION	REMARKS	NOTE1	NOTE2
14		72051-98011	1	PISTON SET			
1	•	20010-41111	1	PISTON			
2	•	20010-41210	2	PISTON RING			
3	•	20010-41310	1	PISTON PIN			
4	•	22100-41230	2	SNAP RING			
5	•	20010-41330	1	NEEDLE BEARING			
6	•	70200-41341	2	THRUST WASHER			
13	•	20010-12121	1	GASKET CYLINDER			
7		20010-42002	1	CRANK SHAFT ASSY			
12		20050-51102	1	CLUTCH SHOE ASSY			
8	•	20050-51111	2	CLUTCH SHOE			
9	•	20050-51121	2	CLUTCH SPRING			
10	•	20010-51130	2	CLUTCH BOLT			
11	•	20010-51141	2	WASHER			

4. MAGNETO



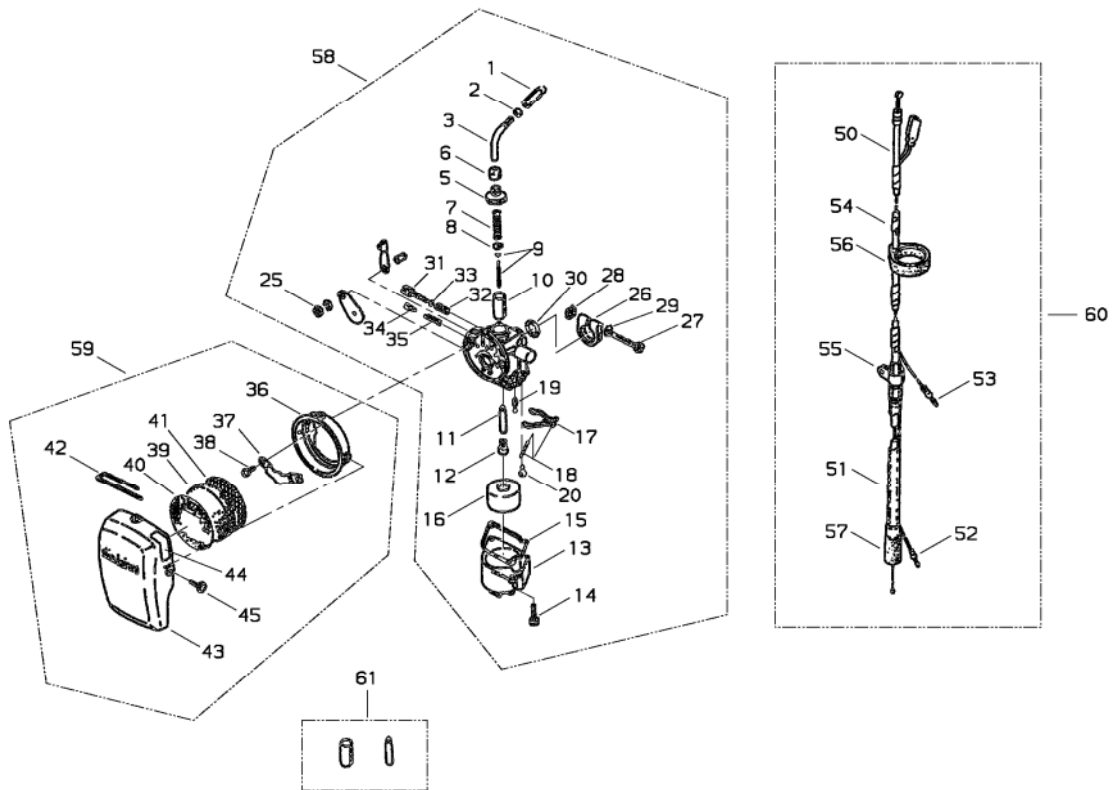
KEY	LV	PART NUMBER	Q'TY	DESCRIPTION	REMARKS	NOTE1	NOTE2
1		20010-71201	1	ROTOR			
2		02403-03100	1	KEY	3*10		
3		01511-10061	1	NUT			
4		01600-10251	1	SPRING WASHER			
5		20011-71611	1	COIL			
6		20010-71631	2	SPACER COIL			
7		11024-04261	2	BOLT		M4x26-12.9	
10		20011-71660	1	TUBE			
11		72920-71711	1	UNIT			
13		11024-04120	2	BOLT SPW		M4x12	
16		20011-72110	1	GROMMET			
17		20011-72120	1	GROMMET			
18		22102-72220	1	PLUG CAP			
19		20000-72230	1	SPRING SPARK PLUG			
20		CJ-8	1	SPARK PLUG CJ-8			

5. RECOIL STARTER



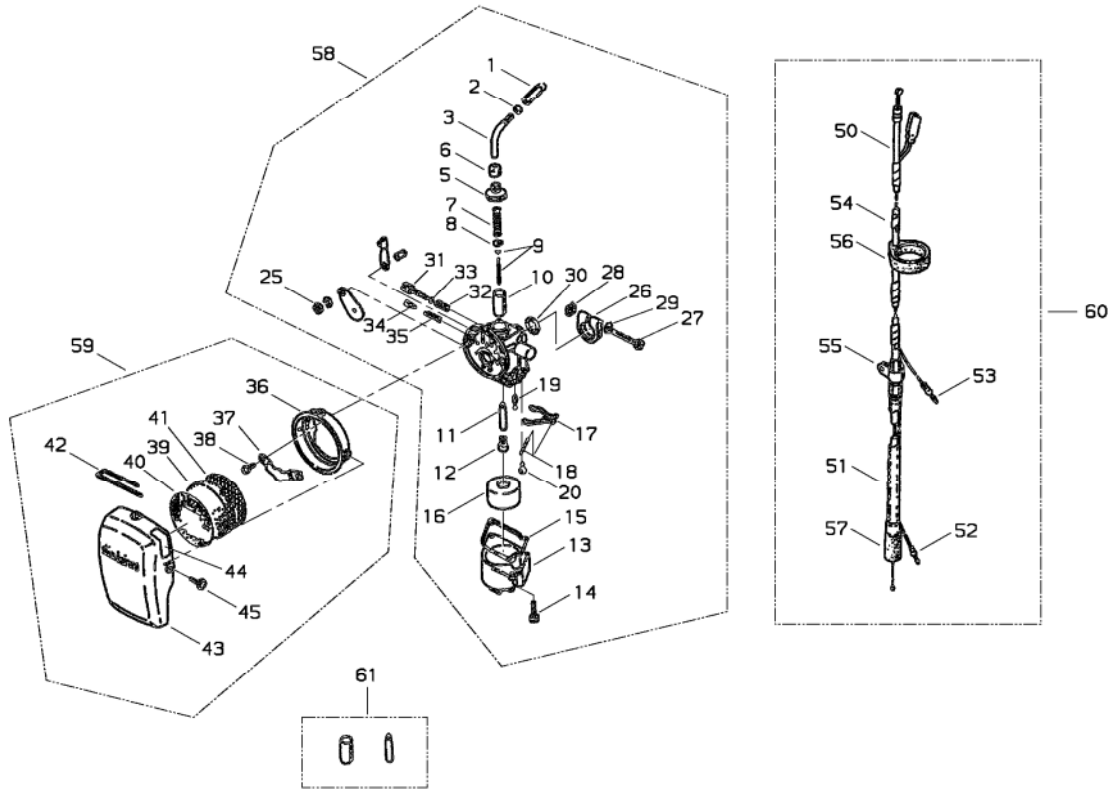
KEY	LV	PART NUMBER	Q'TY	DESCRIPTION	REMARKS	NOTE1	NOTE2
18		20051-75100	1	RECOIL STARETR			
1	▪	70020-75110	1	STARTER CASE			
2	▪	20051-75240	1	NAME PLATE			
3	▪	20020-75120	1	REEL			
4	▪	20000-75130	1	RATCHET			
5	▪	20020-75140	1	RECOIL SPRING			
6	▪	20000-75150	1	PLATE FRICTION			
7	▪	20000-75160	1	SPRING FRICTION			
8	▪	20000-75170	1	SCREW			
9	▪	20020-75180	1	ROPE			
10	▪	20010-75190	1	STARTER KNOB			
11	▪	20010-75210	1	STOPPER			
12	▪	20000-75220	1	RETURN SPRING			
13	▪	20010-75230	1	TAPE			
14		70000-75230	1	STARTER PULLEY			
15		20000-76210	1	NUT			
16		11022-04160	4	BOLT SPW		M4x16	
17		20020-76111	1	GASKET STARTER			

6. CARBURETOR



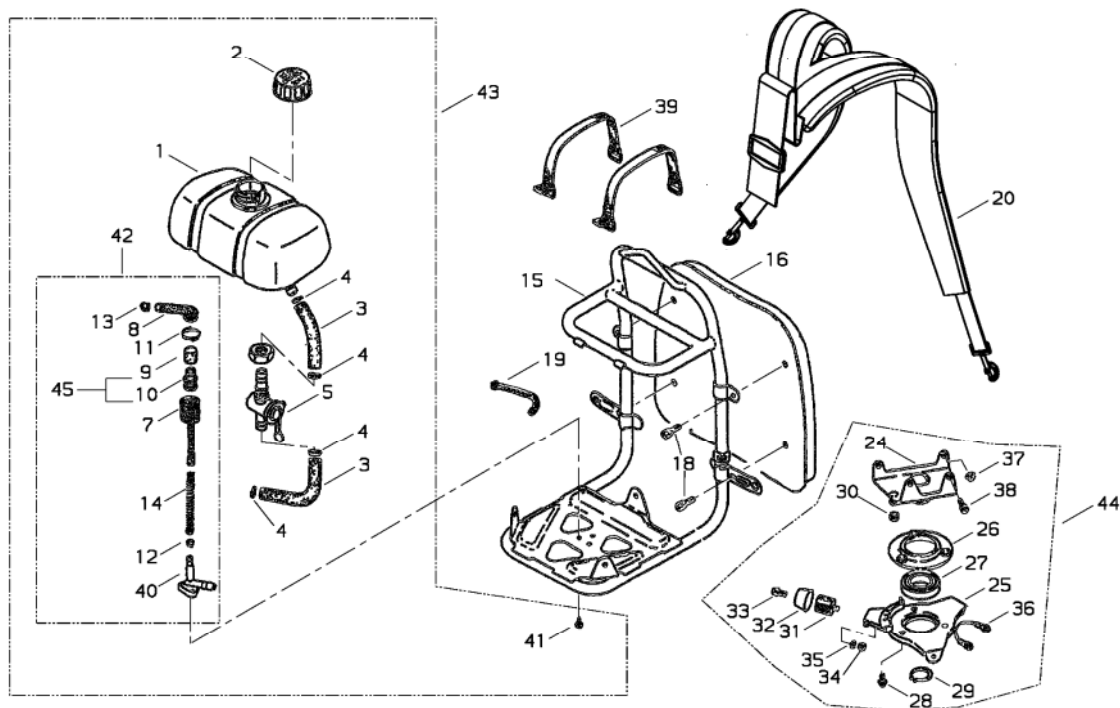
KEY	LV	PART NUMBER	Q'TY	DESCRIPTION	REMARKS	NOTE1	NOTE2
58		20051-81022	1	CARBURETOR BODY			
1	•	20055-81810	1	CABLE ADJUSTER			
2	•	20000-81260	2	LOCK NUT			
3	•	20055-81830	1	ADJUST PIPE			
5	•	20055-81120	1	BODY CAP			
6	•	20055-81130	1	CAP			
7	•	20000-81140	1	SPRING THROTTLE			
8	•	20000-81150	1	SPRING RECEIVE			
9	•	20055-81182	1	THROTTLE VALVE			
10	•	20055-81212	1	JET NEEDLE			
11	•	20055-81232	1	NEEDLE JET			
12	•	20055-81242	1	MAIN JET			
13	•	20051-81311	1	FLOAT CHAMBER			
14	•	20014-81320	2	SCREW			
15	•	20014-81330	1	PACKING			
16	•	20014-81340	1	FLOAT			
17	•	20014-81350	1	FLOAT HINGE			
18	•	20014-81360	1	HINGE PIN			
19	•	20014-81381	1	NEEDLE VALVE			
20	•	20014-81390	1	SCREW			
25	•	20000-81260	1	LOCK NUT			
26	•	20014-81510	1	BAND			
27	•	20014-81521	1	BAND BOLT			
28	•	20014-81530	1	NUT			
29	•	20014-81540	1	WASHER			
30	•	20010-81570	1	FLANGE PACKING			

6. CARBURETOR



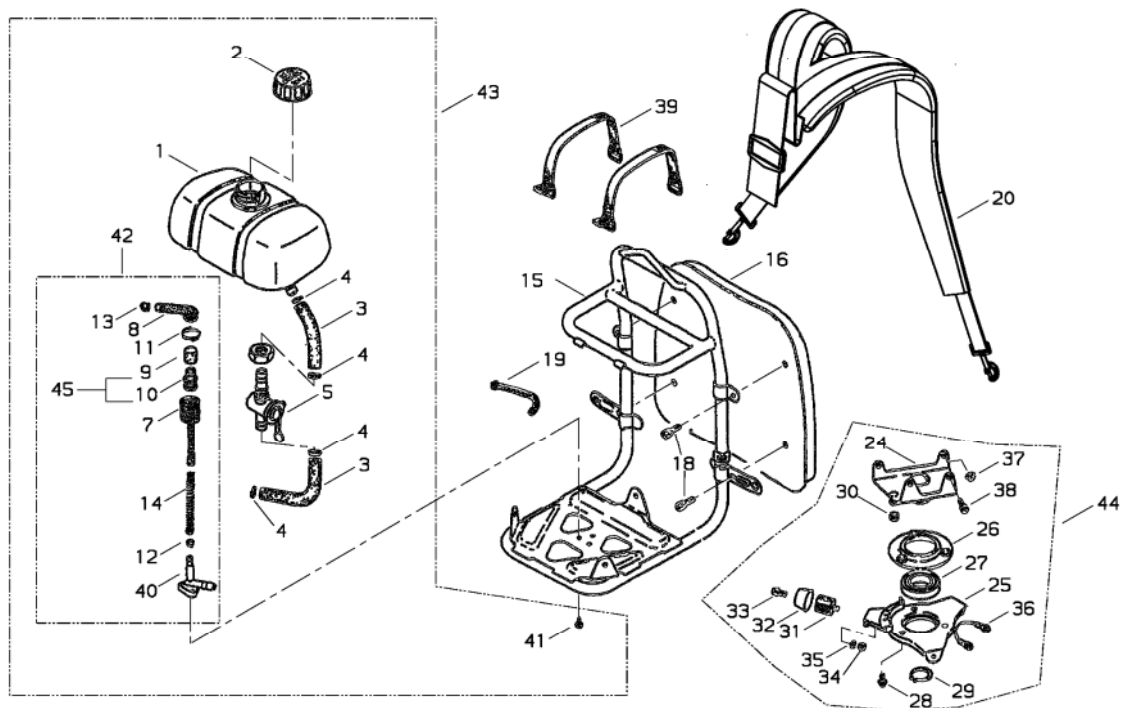
KEY	LV	PART NUMBER	Q'TY	DESCRIPTION	REMARKS	NOTE1	NOTE2
31	•	20014-81810	1	SLOW STOP SCREW			
32	•	20010-81820	1	SPRING			
33	•	20014-81830	1	O RING			
34	•	20000-81330	1	SLOW AIR SCREW			
35	•	20000-81340	1	SPRING			
59		20014-81700	1	AIR CLEANER SUB ASSY			
36	•	20010-81711	1	CLEANER BODY			
37	•	20014-81790	1	PLATE			
38	•	20000-81730	2	SCREW			
39	•	20000-81740	1	FILTER			
40	•	20000-81750	1	NET A			
41	•	20010-81760	1	NET B			
42	•	20010-81781	1	SPRING NET			
43	•	20010-81771	1	CLEANER COVER			
44	•	19404-00008	1	LABEL CHOKE			
45	•	20000-81735	3	SCREW			
60		20051-83900	1	THROTTLE CABLE ASSY			
50	•	20051-83910	1	THROTTLE CABLE			
51	•	20051-83120	1	PIPE			
52	•	20051-83930	1	EARTH CORD A			
53	•	20051-83940	1	EARTH CORD B			
54	•	20051-83180	3	COIL TUBE			
55	•	22050-11210	1	CABLE HOLDER			
56	•	20050-83170	1	CABLE CLAMP			
57	•	20005-83160	1	CABLE CAP			
61		20055-81202	1	JET NEEDLE KIT			

7. FUEL TANK



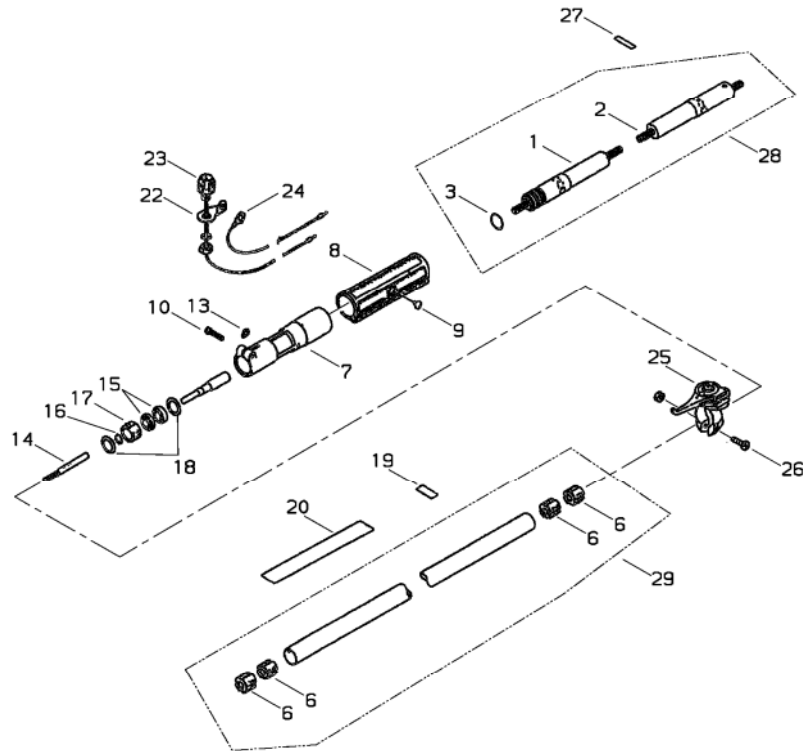
KEY	LV	PART NUMBER	Q'TY	DESCRIPTION	REMARKS	NOTE1	NOTE2
43		70112-85000	1	FUEL TANK ASSY			
1	•	20051-85110	1	FUEL TANK			
2	•	20010-85201	1	FUEL CAP ASSY			
3	•	70051-85410	2	FUEL PIPE			
4	•	20051-85420	4	CLIP			
5	•	20051-85300	1	FUEL COCK ASSY			
40	•	20050-85461	1	ELBOW			
41	•	11202-40100	3	SCREW HILO 4X10			
42	•	70051-85502	1	FILTER SUB ASSY			
7	• •	20051-85510	1	FUEL PIPE			
8	• •	70051-85521	1	FUEL PIPE A			
9	• •	20051-85540	1	FILTER A			
10	• •	20051-85531	1	FILTER			
11	• •	20050-85580	1	CLIP			
12	• •	20050-85560	1	CLIP			
13	• •	20051-85570	1	CLIP A			
14	• •	20051-85590	1	SPRING			
15		70084-86110	1	FRAME			
16		70062-86120	1	PAD			
18		11206-05120	4	SCREW PM SPW		M5x12	
19		20000-83150	1	CLAMP			
20		70062-86200	2	BAND ASSY			
21		70062-86320	1	JOINT BAND			
22		01215-06140	2	SCREW TRUSS		M6x14	
23		22011-97840	2	LOCK NUT			
44		20051-87001	1	BRACKET ASSY			

7. FUEL TANK



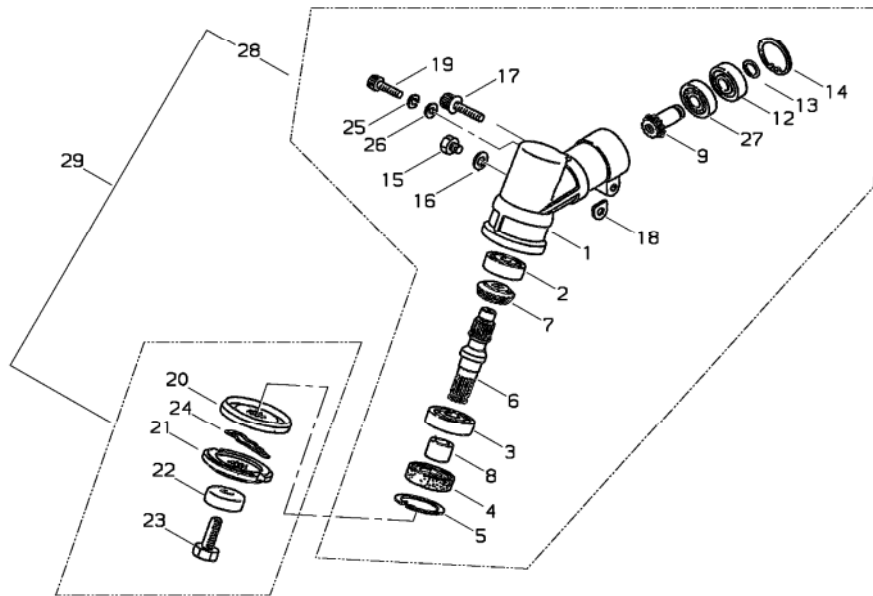
KEY	LV	PART NUMBER	Q'TY	DESCRIPTION	REMARKS	NOTE1	NOTE2
24	•	20050-87110	1	BRACKET A			
25	•	20050-87120	1	BRACKET B			
26	•	20050-87131	1	RETAINER			
27	•	02002-06005	1	BEARING		6005ZZ	
28	•	11206-05100	3	SCREW PM SPW		M5x10	
29	•	02430-25120	1	SNAP RING			
30	•	20050-87150	1	STOP CUSHION			
31	•	20050-87160	3	CUSHION			
32	•	20050-87170	3	MOUNT HOLDER			
33	•	11206-05100	3	SCREW PM SPW		M5x10	
34	•	01500-05041	1	NUT	M5		
35	•	01600-05131	1	SPRING WASHER			
36	•	20051-87210	1	EARTH CORD			
37	•	11526-05112	4	FLANGE NUT			
38	•	11020-05120	2	BOLT SW		M5x12	
39		20020-86140	2	BAND			
45		22999-00001	1	FILTER SET			

8. OUTER PIPE, THROTTLE LEVER



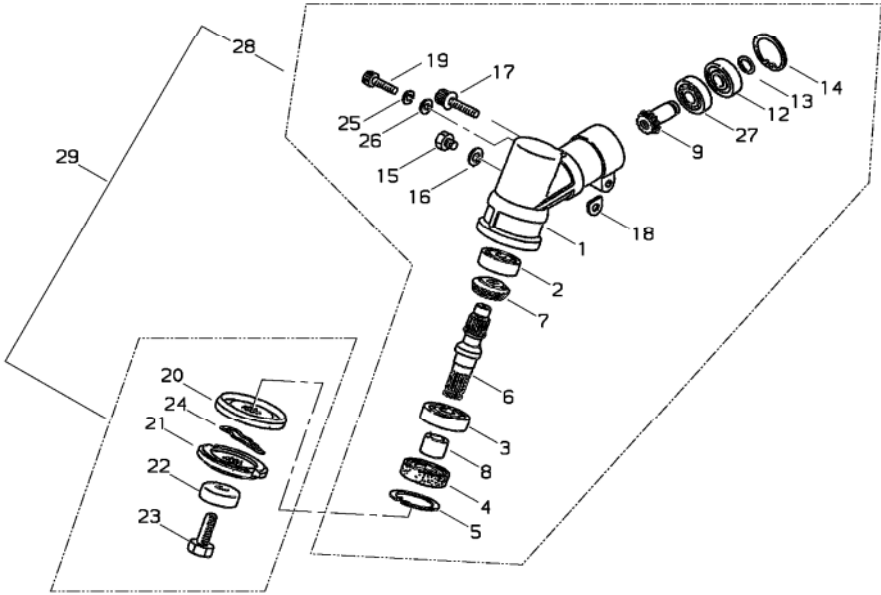
KEY	LV	PART NUMBER	Q'TY	DESCRIPTION	REMARKS	NOTE1	NOTE2
28		72062-11105	1	FLEXIBLE SET			
1	▪	72062-11113	1	FLEXIBLE PIPE			
2	▪	72062-11122	1	FLEXIBLE SHAFT			
3	▪	22051-11140	1	O RING			
29		22050-12100	1	OUTER PIPE COMP			
6	▪	22000-12120	4	BUSHING			
7		22051-12311	1	JOINT PIPE			
8		22051-12320	1	GRIP			
9		22051-12340	1	SCREW			
10		11022-06280	1	BOLT SPW		M6x28	
13		22011-13450	1	SHIM			
14		22050-12411	1	MAIN SHAFT			
15		02002-06900	2	BEARING		6900ZZ	
16		02430-10100	1	SNAP RING			
17		22050-12421	1	CUSHION			
18		22050-12430	2	THRUST PLATE			
19		72017-12150	1	HANDLE LABEL			
20		19422-00031	1	NAME PLATE		shindaiwa	
22		22051-12210	1	BRACKET			
23		22000-12233	1	SWITCH			
24		22051-12240	1	EARTH CORD C			
25		72062-14570	1	THROTTLE LEVER			
26		11203-05160	1	SCREW PM		M5x16	
27		19402-00024	1	LABEL CAUTION			

9. GEAR CASE



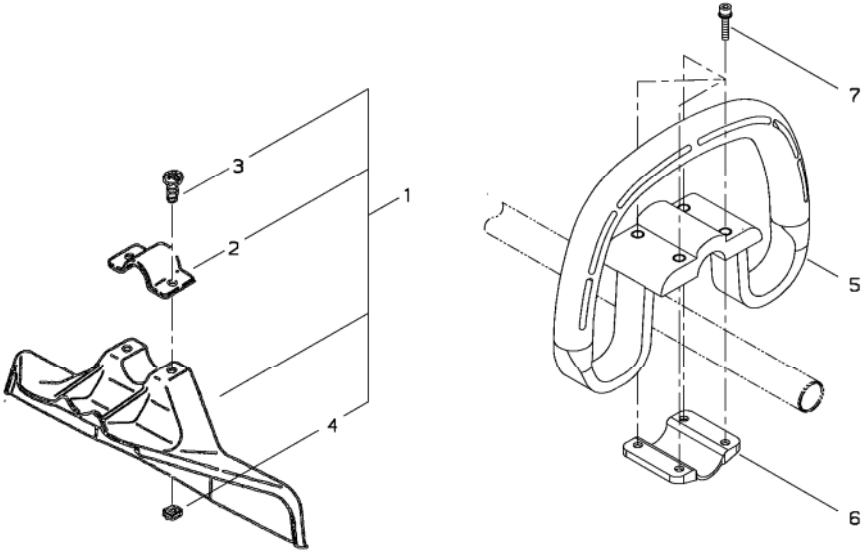
KEY	LV	PART NUMBER	Q'TY	DESCRIPTION	REMARKS	NOTE1	NOTE2
29		72084-13000	1	GEAR CASE ASSY			
28	•	72062-13011	1	GEAR CASE SUB ASSY			
1	• •	22044-13112	1	GEAR CASE			
2	• •	02006-06000	1	BEARING		6000DDU	
3	• •	02000-06201	1	BEARING		6201	
4	• •	22000-13120	1	OIL SEAL			
5	• •	02432-32120	1	SNAP RING			
6	• •	22000-13212	1	GEAR SHAFT			
7	• •	22000-13220	1	BEVEL GEAR			
8	• •	22000-13230	1	COLLAR			
9	• •	22000-13390	1	BEVEL PINION SET			
27	• •	02000-06000	1	BEARING		6000	
12	• •	02002-06000	1	BALL BEARING		6000ZZ	
13	• •	22000-13320	1	SNAP RING			
14	• •	02432-26120	1	SNAP RING			
15	• •	22015-13410	1	BOLT			
16	• •	22015-13420	1	GASKET			
17	• •	11022-06280	1	BOLT SPW		M6x28	
18	• •	22011-13450	1	SHIM			
19	• •	01020-05120	1	BOLT	M5*12	M5x12	
25	• •	01600-05131	1	SPRING WASHER			
26	• •	01610-05080	1	WASHER			
20	•	72553-63160	1	HOLDER			
21	•	37019-63170	1	HOLDER			
22	•	22000-13290	1	BOLT GUARD			
23	•	22000-13512	1	BOLT			

9. GEAR CASE



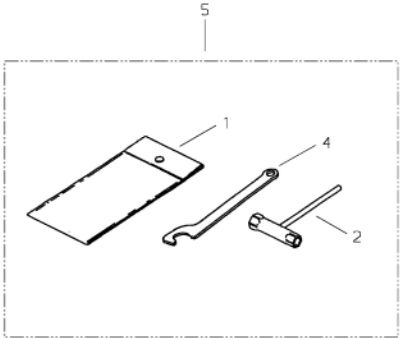
KEY	LV	PART NUMBER	Q'TY	DESCRIPTION	REMARKS	NOTE1	NOTE2
24	•	22000-13530	1	SLIDE PIN			

10. GUARD



KEY	LV	PART NUMBER	Q'TY	DESCRIPTION	REMARKS	NOTE1	NOTE2
1		72476-16101	1	GUARD ASSY			
2	•	22000-16129	1	GUARD CLAMP			
3	•	11206-05200	2	SCREW PM SPW		M5x20	
4	•	22035-16120	2	NUT	M5		
5		62074-64311	1	HANDLE			
6		22044-14120	1	CLAMP A			
7		11022-05250	4	BOLT SPW		M5x25	

11. TOOLS



KEY	LV	PART NUMBER	Q'TY	DESCRIPTION	REMARKS	NOTE1	NOTE2
5		62049-92010	1	TOOL SET			
1	•	19639-01400	1	BAG,PACKING	140*200*T0.08		
2	•	22000-91181	1	PLUG WRENCH		13x19mm	
4	•	09026-04001	1	HEXA WRENCH	4MM M5	4mm M5	

Index

Patrs Number	Key No.	Patrs Number	Key No.	Patrs Number	Key No.
01020-05120	9 - 19	11526-05112	7 - 37	20011-31230	2 - 12
01020-05140	2 - 19	12492-50100	2 - 3	20011-71611	4 - 5
01020-05250	1 - 3	12900-62020	2 - 4	20011-71660	4 - 10
01020-05300	2 - 6	19402-00024	8 - 27	20011-72110	4 - 16
01020-06250	1 - 16	19404-00008	6 - 44	20011-72120	4 - 17
01215-06140	7 - 22	19422-00031	8 - 20	20014-81320	6 - 14
01500-04031	1 - 15	19639-01400	11 - 1	20014-81330	6 - 15
01500-05041	7 - 34	20000-72230	4 - 19	20014-81340	6 - 16
01511-10061	4 - 3	20000-75130	5 - 4	20014-81350	6 - 17
01600-05131	1 - 4	20000-75150	5 - 6	20014-81360	6 - 18
01600-05131	2 - 23	20000-75160	5 - 7	20014-81381	6 - 19
01600-05131	7 - 35	20000-75170	5 - 8	20014-81390	6 - 20
01600-05131	9 - 25	20000-75220	5 - 12	20014-81510	6 - 26
01600-10251	4 - 4	20000-76210	5 - 15	20014-81521	6 - 27
01610-05080	9 - 26	20000-81140	6 - 7	20014-81530	6 - 28
02000-06000	9 - 27	20000-81150	6 - 8	20014-81540	6 - 29
02000-06201	9 - 3	20000-81260	6 - 2	20014-81700	6 - 59
02002-06000	9 - 12	20000-81260	6 - 25	20014-81790	6 - 37
02002-06005	7 - 27	20000-81330	6 - 34	20014-81810	6 - 31
02002-06900	8 - 15	20000-81340	6 - 35	20014-81830	6 - 33
02006-06000	9 - 2	20000-81730	6 - 38	20020-75120	5 - 3
02006-06002	2 - 8	20000-81735	6 - 45	20020-75140	5 - 5
02403-03100	4 - 2	20000-81740	6 - 39	20020-75180	5 - 9
02430-10100	8 - 16	20000-81750	6 - 40	20020-76111	5 - 17
02430-25120	7 - 29	20000-83150	7 - 19	20020-86140	7 - 39
02432-26120	9 - 14	20005-83160	6 - 57	20050-15210	1 - 10
02432-32120	2 - 9	20010-12121	1 - 2	20050-15410	1 - 13
02432-32120	9 - 5	20010-12121	3 - 13	20050-31210	2 - 11
09026-04001	11 - 4	20010-15320	2 - 24	20050-51102	3 - 12
11020-05120	7 - 38	20010-21211	2 - 5	20050-51111	3 - 8
11022-04160	5 - 16	20010-41111	3 - 1	20050-51121	3 - 9
11022-05200	2 - 13	20010-41210	3 - 2	20050-83170	6 - 56
11022-05200	2 - 22	20010-41310	3 - 3	20050-85461	7 - 40
11022-05250	1 - 8	20010-41330	3 - 5	20050-85560	7 - 12
11022-05250	10 - 7	20010-42002	3 - 7	20050-85580	7 - 11
11022-05350	2 - 14	20010-51130	3 - 10	20050-87110	7 - 24
11022-06280	8 - 10	20010-51141	3 - 11	20050-87120	7 - 25
11022-06280	9 - 17	20010-71201	4 - 1	20050-87131	7 - 26
11024-04120	4 - 13	20010-71631	4 - 6	20050-87150	7 - 30
11024-04261	4 - 7	20010-75190	5 - 10	20050-87160	7 - 31
11024-05100	1 - 12	20010-75210	5 - 11	20050-87170	7 - 32
11024-05120	1 - 17	20010-75230	5 - 13	20051-12211	1 - 5
11202-40100	7 - 41	20010-81570	6 - 30	20051-12221	1 - 6
11203-04100	1 - 14	20010-81711	6 - 36	20051-12230	1 - 7
11203-05160	8 - 26	20010-81760	6 - 41	20051-15110	1 - 9
11206-05100	7 - 28	20010-81771	6 - 43	20051-15310	1 - 11
11206-05100	7 - 33	20010-81781	6 - 42	20051-35130	2 - 20
11206-05120	7 - 18	20010-81820	6 - 32	20051-75100	5 - 18
11206-05200	10 - 3	20010-85201	7 - 2	20051-75240	5 - 2

Index

Patrs Number	Key No.	Patrs Number	Key No.	Patrs Number	Key No.
20051-81022	6 - 58	22050-11210	6 - 55		
20051-81311	6 - 13	22050-12100	8 - 29		
20051-83120	6 - 51	22050-12411	8 - 14		
20051-83180	6 - 54	22050-12421	8 - 17		
20051-83900	6 - 60	22050-12430	8 - 18		
20051-83910	6 - 50	22051-11140	8 - 3		
20051-83930	6 - 52	22051-12210	8 - 22		
20051-83940	6 - 53	22051-12240	8 - 24		
20051-85110	7 - 1	22051-12311	8 - 7		
20051-85300	7 - 5	22051-12320	8 - 8		
20051-85420	7 - 4	22051-12340	8 - 9		
20051-85510	7 - 7	22100-41230	3 - 4		
20051-85531	7 - 10	22102-72220	4 - 18		
20051-85540	7 - 9	22999-00001	7 - 45		
20051-85570	7 - 13	37019-63170	9 - 21		
20051-85590	7 - 14	62049-92010	11 - 5		
20051-87001	7 - 44	62074-64311	10 - 5		
20051-87210	7 - 36	70000-75230	5 - 14		
20055-81120	6 - 5	70020-75110	5 - 1		
20055-81130	6 - 6	70051-85410	7 - 3		
20055-81182	6 - 9	70051-85502	7 - 42		
20055-81202	6 - 61	70051-85521	7 - 8		
20055-81212	6 - 10	70062-32110	2 - 17		
20055-81232	6 - 11	70062-86120	7 - 16		
20055-81242	6 - 12	70062-86200	7 - 20		
20055-81810	6 - 1	70062-86320	7 - 21		
20055-81830	6 - 3	70084-21110	2 - 1		
20112-35200	2 - 21	70084-21121	2 - 2		
22000-12120	8 - 6	70084-31111	2 - 7		
22000-12233	8 - 23	70084-31150	2 - 10		
22000-13120	9 - 4	70084-86110	7 - 15		
22000-13212	9 - 6	70112-85000	7 - 43		
22000-13220	9 - 7	70196-12110	1 - 1		
22000-13230	9 - 8	70200-41341	3 - 6		
22000-13290	9 - 22	72017-12150	8 - 19		
22000-13320	9 - 13	72051-98011	3 - 14		
22000-13390	9 - 9	72062-11105	8 - 28		
22000-13512	9 - 23	72062-11113	8 - 1		
22000-13530	9 - 24	72062-11122	8 - 2		
22000-16129	10 - 2	72062-13011	9 - 28		
22000-91181	11 - 2	72062-14570	8 - 25		
22011-13450	8 - 13	72084-13000	9 - 29		
22011-13450	9 - 18	72476-16101	10 - 1		
22011-97840	7 - 23	72553-63160	9 - 20		
22015-13410	9 - 15	72920-71711	4 - 11		
22015-13420	9 - 16	CJ-8	4 - 20		
22035-16120	10 - 4				
22044-13112	9 - 1				
22044-14120	10 - 6				

YAMABIKO CORPORATION

7-2 SUEHIROCHO 1-CHOME, OHME, TOKYO 198-8760, JAPAN
PHONE: 81-428-32-6118. FAX: 81-428-32-6145.

shindaiwa[®]

OL_T
No.