

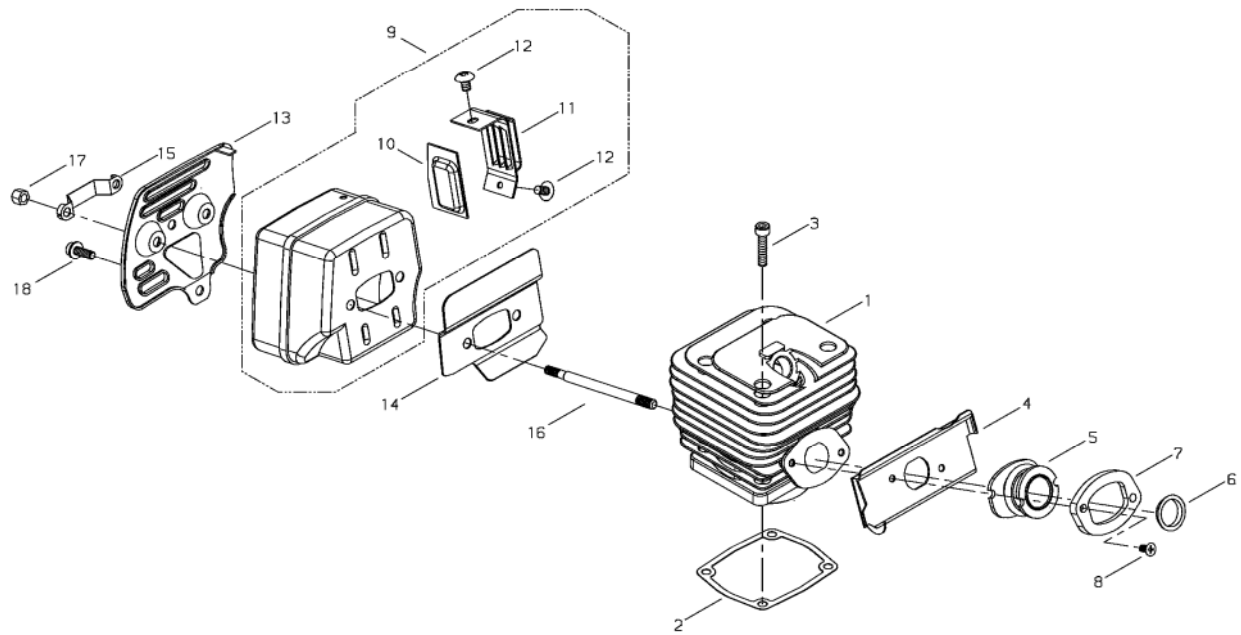
shindaiwa[®]

PARTS CATALOGUE

**CHAIN SAW
577P EMC**

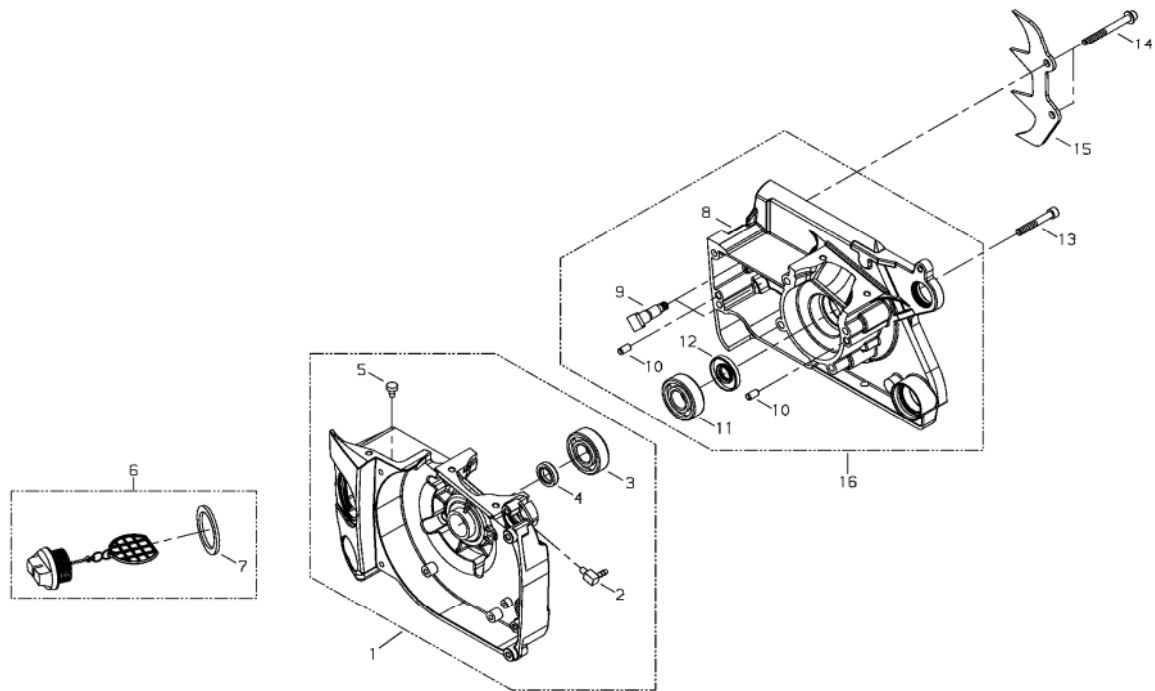
577P EMC

1. CYLINDER, MUFFLER



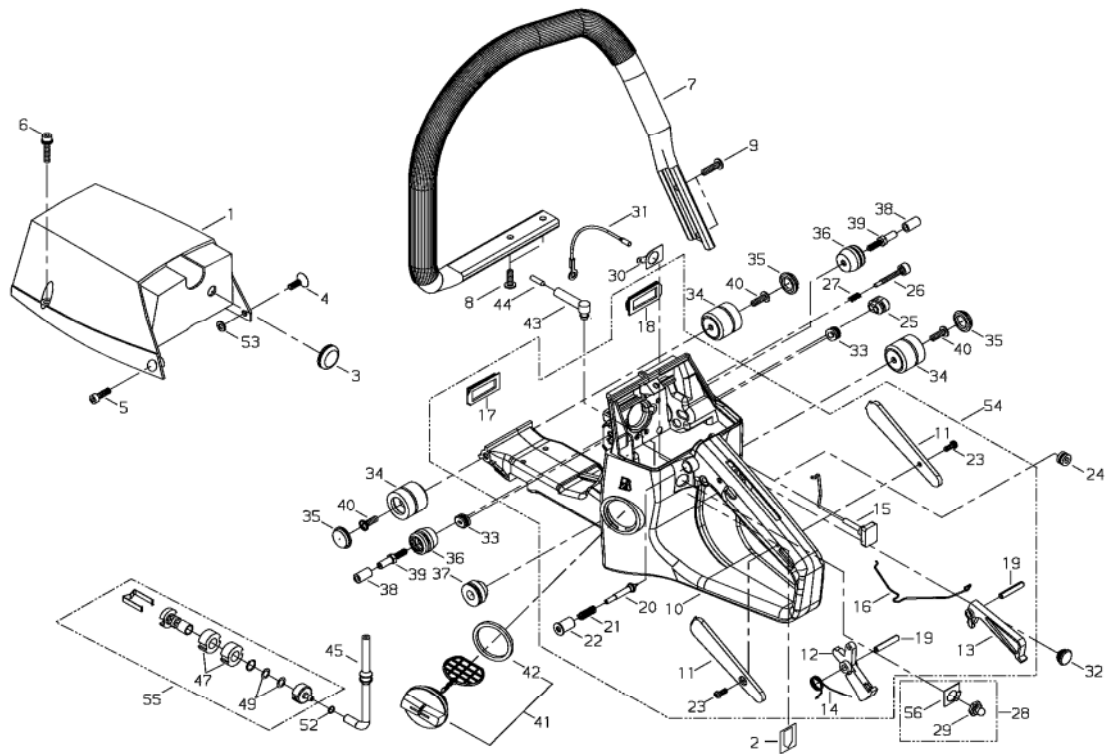
KEY	LV	PART NUMBER	Q'TY	DESCRIPTION	REMARKS	NOTE1	NOTE2
1		22152-12111	1	CYLINDER			
2		22175-12121	1	GASKET CYLINDER			
3		22155-12190	4	BOLT			
4		22175-12141	1	BAFFLE PLATE			
5		22150-12152	1	BOOT			
6		22150-12170	1	SLEEVE			
7		22150-12180	1	BRACKET			
8		01201-04160	2	SCREW		M4x16	
9		72282-15101	1	MUFFLER SUB ASSY			
10		72230-15160	1	ARRESTER			
11		72230-15172	1	TAIL PLATE			
12		01215-05080	2	SCREW TRUSS		M5x8	
13		72282-15310	1	MUFFLER GUARD			
14		22175-15210	1	GASKET MUFFLER			
15		22155-15420	1	LOCK PLATE			
16		22150-15412	2	BOLT			
17		20011-12260	2	NUT			
18		22175-15440	2	BOLT			

2. CRANKCASE



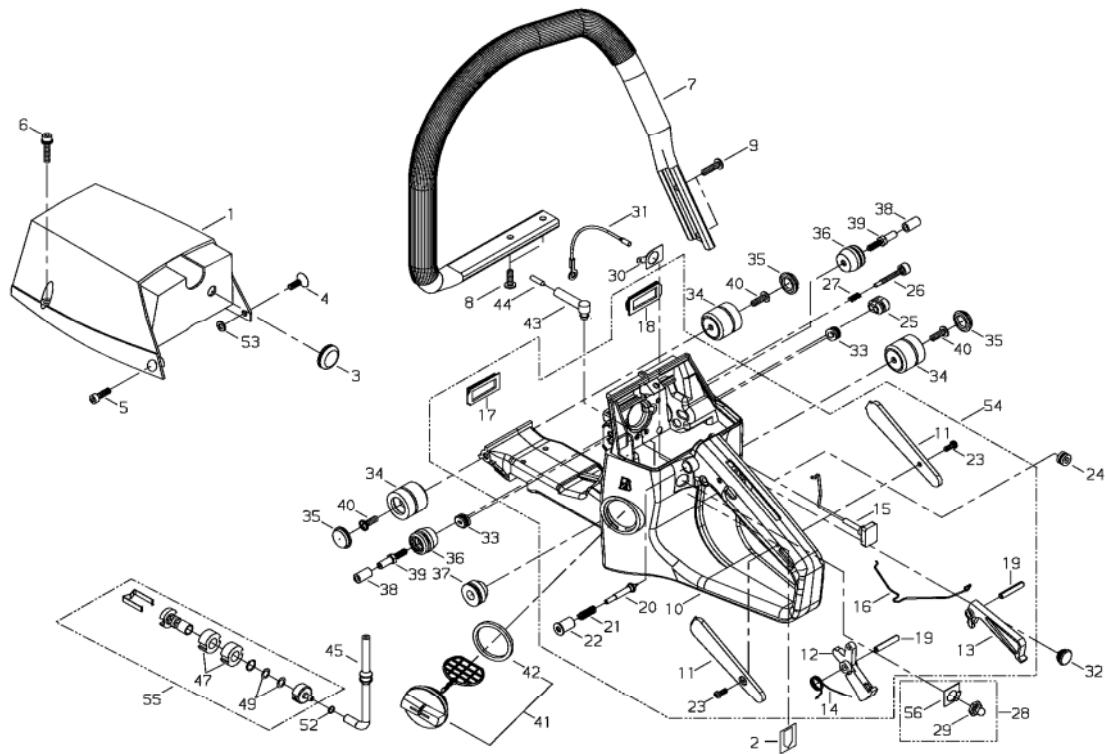
KEY	LV	PART NUMBER	Q'TY	DESCRIPTION	REMARKS	NOTE1	NOTE2
1		22175-21200	1	CRANK CASE M COMP			
2	▪	22150-21220	1	PULSE JOINT			
3	▪	12900-62020	1	BEARING		6202,C3	
4	▪	22150-21250	1	SEAL,OIL			
5	▪	22115-57120	1	VALVE OIL TANK			
6		22175-21300	1	OIL CAP ASSY			
7	▪	22175-21340	1	GASKET			
16		22152-21501	1	CRANK CASE C COMP			
8	▪	22152-21510	1	CRANK CASE C			
9	▪	22150-21521	2	BOLT BAR			
10	▪	12492-50100	2	ROLLER		φ5xL10	
11	▪	12900-62020	1	BEARING		6202,C3	
12	▪	22155-21630	1	OIL SEAL			
13		22169-21910	4	BOLT			
14		11060-05500	2	BOLT ADHESIVE		M5x50	
15		72230-52630	1	SPIKE			

3. COVER, HANDLE



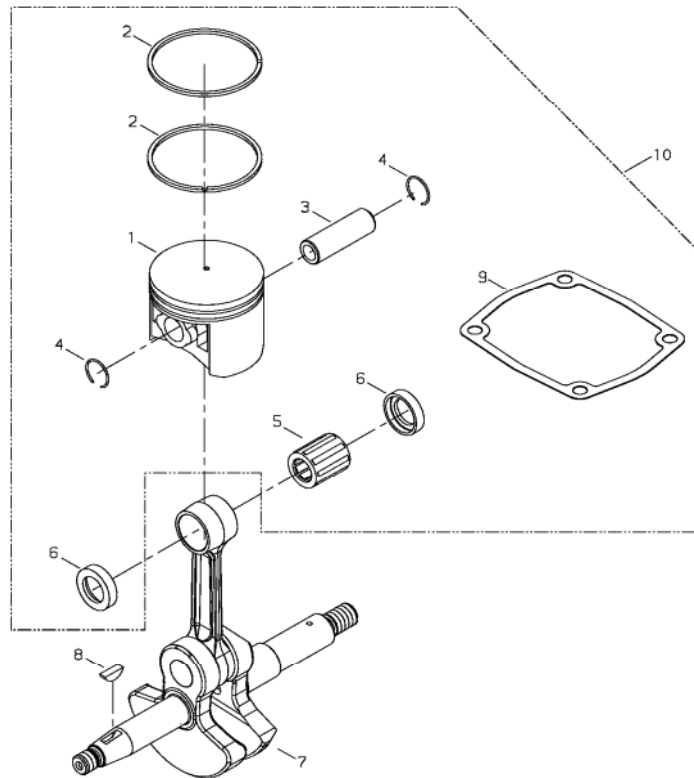
KEY	LV	PART NUMBER	Q'TY	DESCRIPTION	REMARKS	NOTE1	NOTE2
1		22155-31110	1	COVER			
2		72330-92150	1	CAUTION PLATE			
3		22102-32140	1	PLUG BRACKET			
4		11260-05124	1	SCREW ADHESIVE		M5x12	
5		11060-05162	1	BOLT ADHESIVE		M5x16	
6		22160-31150	1	BOLT SW		M5*25	
53		01611-05100	1	WASHER		5mm	
7		22169-32113	1	FRONT HANDLE			
8		22169-32210	2	BOLT PC			
9		22169-32220	2	BOLT PC			
54		22169-33102	1	REAR HANDLE SUB ASSY			
10		22169-33201	1	REAR HANDLE			
11		22169-33310	2	PLATE GRIP			
12		22169-33321	1	THROTTLE LEVER			
13		22169-33330	1	LOCK LEVER			
14		22150-33340	1	SPRING LEVER			
15		22150-82120	1	CHOKE ROD			
16		22169-33360	1	THROTTLE ROD			
17		22169-33380	1	SUB CLEANER			
18		22169-33390	1	PLUG			
19		12420-50284	2	SPRING PIN		5x28	
20		72171-33170	1	STOPPER			
21		22100-33180	1	SPRING			
22		22100-33190	1	KNOB STOPPER			
23		01280-04102	2	SCREW TAPPING		4x10	
24		22150-33410	1	GROMMET CHOKE			

3. COVER, HANDLE



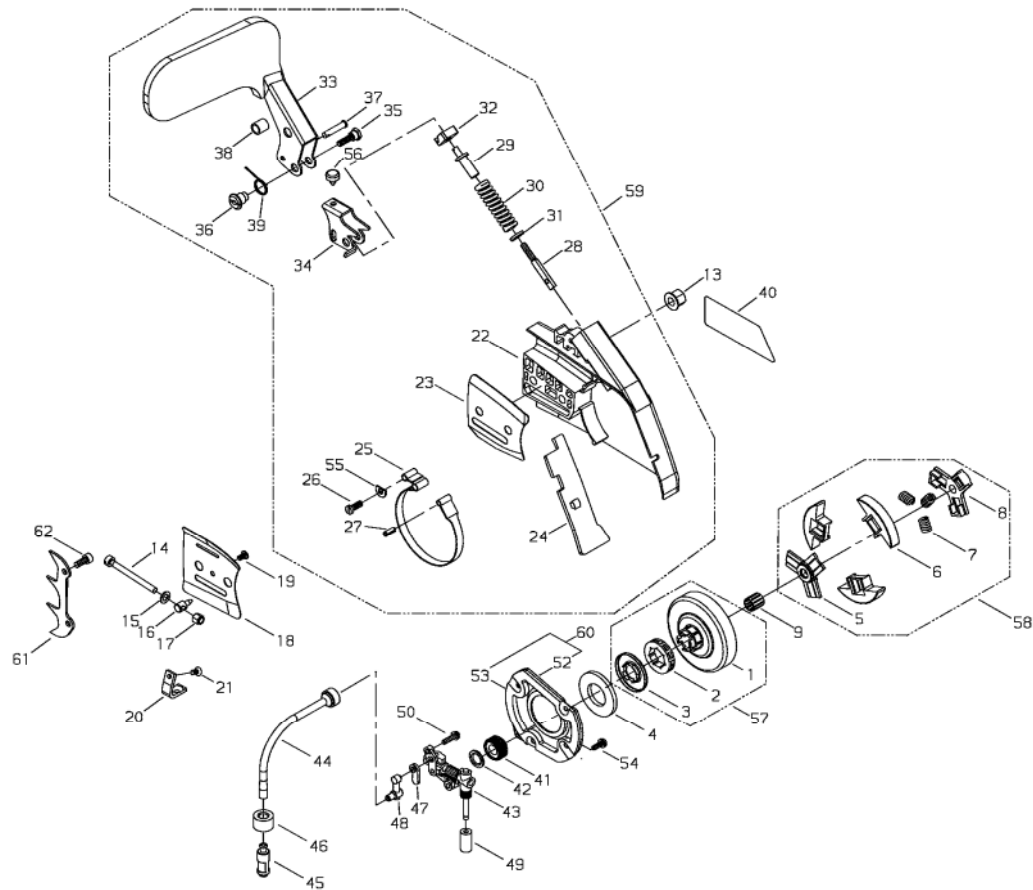
KEY	LV	PART NUMBER	Q'TY	DESCRIPTION	REMARKS	NOTE1	NOTE2
25		22150-33420	1	GROMMET CARBURETOR			
26		22155-33450	1	ADJUST SCREW			
27		22155-33460	1	SPRING ADJUST			
28		22155-33501	1	SWITCH ASSY			
29	▪	22155-33530	1	NUT			
30		22169-33540	1	EARTH PLATE			
31		22169-33550	1	EARTH CORD			
32		22150-33630	1	PLUG			
33		22150-33640	2	GROMMET			
34		72330-33710	3	CUSHION 26			
35		22150-33720	3	PLUG 26			
36		22155-33730	2	CUSHION 22			
37		22150-33750	1	SUPPORTER			
38		72281-33761	2	PIPE			
39		22175-33770	2	STOPPER BOLT			
40		22160-32210	3	SCREW PC			
41		22160-33801	1	CAP ASSY			
42	▪	22160-33821	1	GASKET			
43		22169-33940	1	PIPE			
44		22157-33950	1	ELEMENT			
45		22169-34110	1	FUEL PIPE			
55		22169-35400	1	FUEL FILTER SUB ASSY			
47	▪	22169-35420	2	FILTER			
49	▪	22118-85460	2	ELEMENT			
52		20020-85540	1	CLIP			
56	▪	22150-33520	1	PLATE			

4. PISTON, CRANKSHAFT



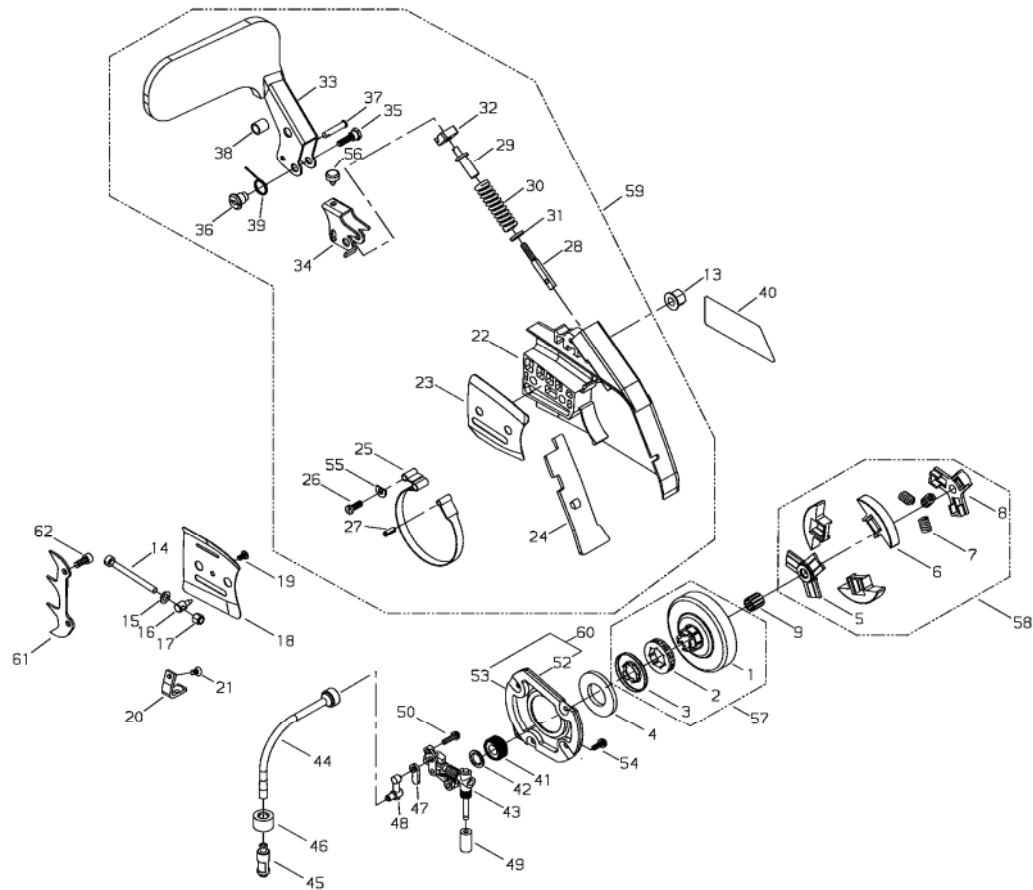
KEY	LV	PART NUMBER	Q'TY	DESCRIPTION	REMARKS	NOTE1	NOTE2
10		72334-98010	1	PISTON SET			
1	•	22152-41112	1	PISTON			
2	•	22152-41210	2	PISTON RING			
3	•	22152-41220	1	PISTON PIN			
4	•	22152-41231	2	SNAP RING			
5	•	22150-41280	1	NEEDLE BEARING			
6	•	22152-41250	2	THRUST WASHER			
7		22150-42002	1	CRANK SHAFT ASSY			
8		02403-03100	1	KEY	3*10	3x10	
9	•	22175-12121	1	GASKET CYLINDER			

5. CLUTCH, CLUTCH COVER



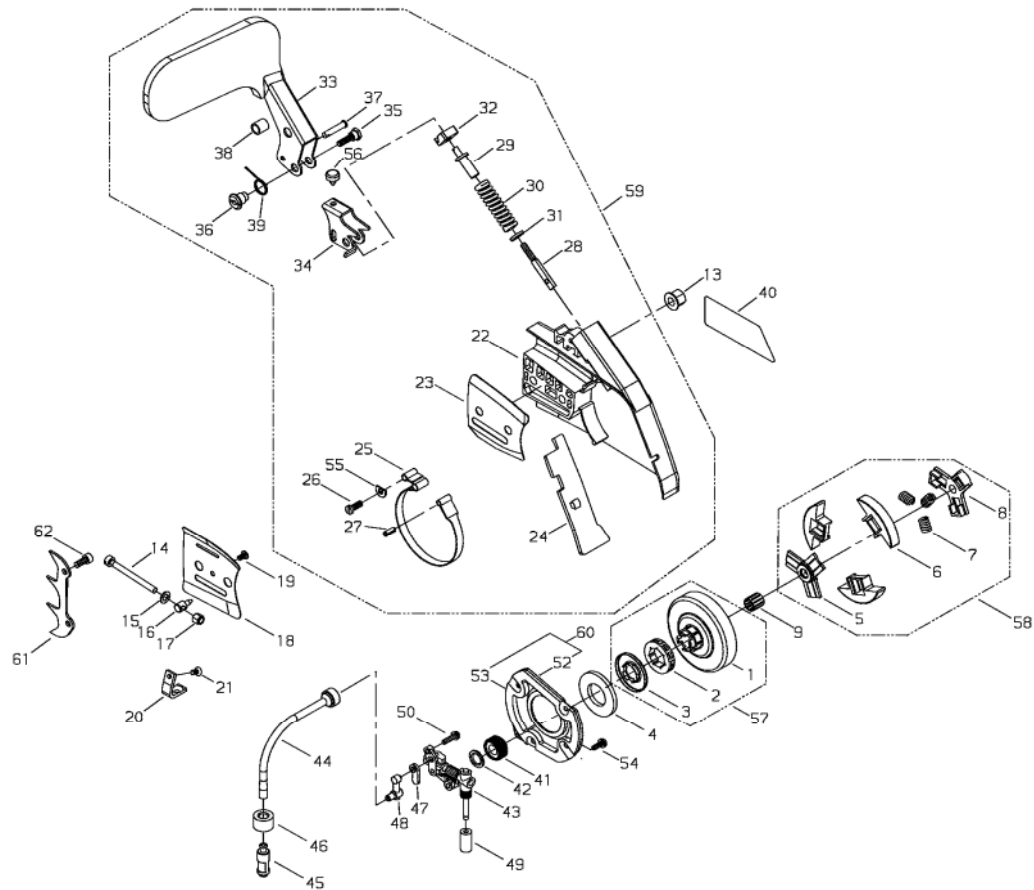
KEY	LV	PART NUMBER	Q'TY	DESCRIPTION	REMARKS	NOTE1	NOTE2
57		22155-51500	1	CLUTCH DRUM ASSY			
1	▪	22150-51510	1	CLUTCH DRUM			
2	▪	22150-51520	1	RIM			
3	▪	22155-51530	1	COVER			
4		22155-51550	1	FILTER B			
58		22155-51200	1	CLUTCH ASSY			
5	▪	22155-51210	1	CLUTCH BOSS A			
6	▪	22155-51220	3	CLUTCH SHOE			
7	▪	22150-51230	3	CLUTCH SPRING			
8	▪	22155-51240	1	CLUTCH BOSS B			
9		22150-51310	1	BEARING			
13		22150-52411	2	NUT			
14		22155-53310	1	SLIDE SCREW			
15		01610-05080	1	WASHER		5mm	
16		22150-52440	1	TENSIONER.CHAIN			
17		22100-53330	1	LOCK NUT			
18		22155-97610	1	GUIDE PLATE A			
19		11205-04100	1	SCREW PM PW		M4x10	
20		22155-52510	1	CHAIN CATCHER			
21		01201-05120	1	SCREW		M5x12	
59		22175-54003	1	BRAKE ASSY			
22	▪	22175-54113	1	CLUTCH COVER			
23	▪	22155-97620	1	GUIDE PLATE B			
24	▪	72316-54171	1	PROTECTOR			
40		72334-92181	1	LABEL TRADE			
25	▪	22150-54211	1	BRAKE BAND			

5. CLUTCH, CLUTCH COVER



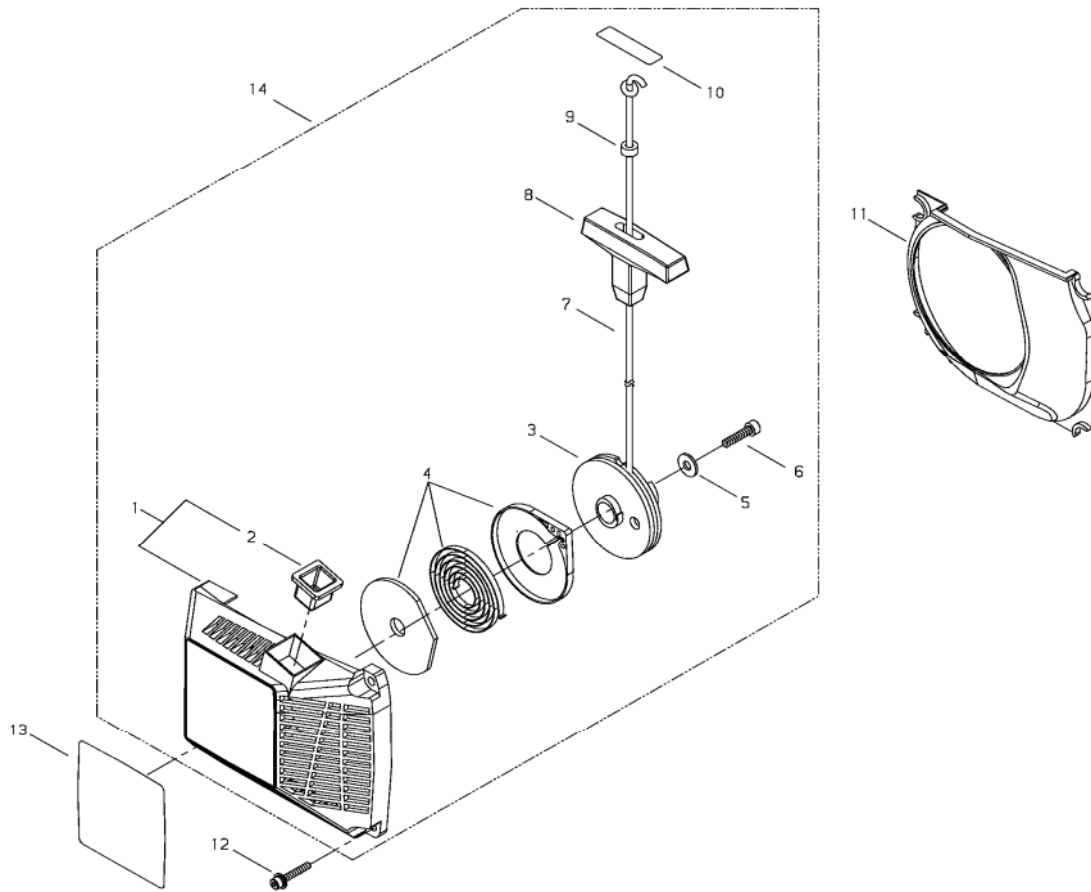
KEY	LV	PART NUMBER	Q'TY	DESCRIPTION	REMARKS	NOTE1	NOTE2
26	•	22160-54220	1	BOLT			
27	•	02427-40125	1	SPRING PIN		4x12	
28	•	22150-54311	1	ADJUST ROD			
29	•	22150-54320	1	ADJUST SCREW			
30	•	22150-54330	1	BREAK SPRING			
31	•	22150-54340	1	WASHER			
32	•	22150-54410	1	BLOCK			
33	•	22175-54510	1	LEVER			
34	•	22150-54522	1	INNER LEVER			
35	•	22161-54580	1	BOLT LEVER			
36	•	22175-54590	1	NUT LEVER			
37	•	72231-54610	1	STOPPER PIN			
38	•	72231-54620	1	COLLAR			
39	•	22150-54630	1	SPRING LEVER			
55	•	22000-13420	1	SHIM			
56	•	15270-02003	1	CLAMP			
41		22155-55110	1	GEAR			
42		22150-55120	1	THRUST PLATE			
43		22160-55200	1	OIL PUMP ASSY			
44		22150-55312	1	OIL PIPE			
45		22169-57360	1	OIL FILTER			
46		22175-57380	1	WEIGHT			
47		22150-55411	1	GASKET PUMP			
48		22150-55421	1	ELBOW			
49		22155-55430	1	FILTER			
50		11205-04160	2	SCREW PM		M4x16	

5. CLUTCH, CLUTCH COVER



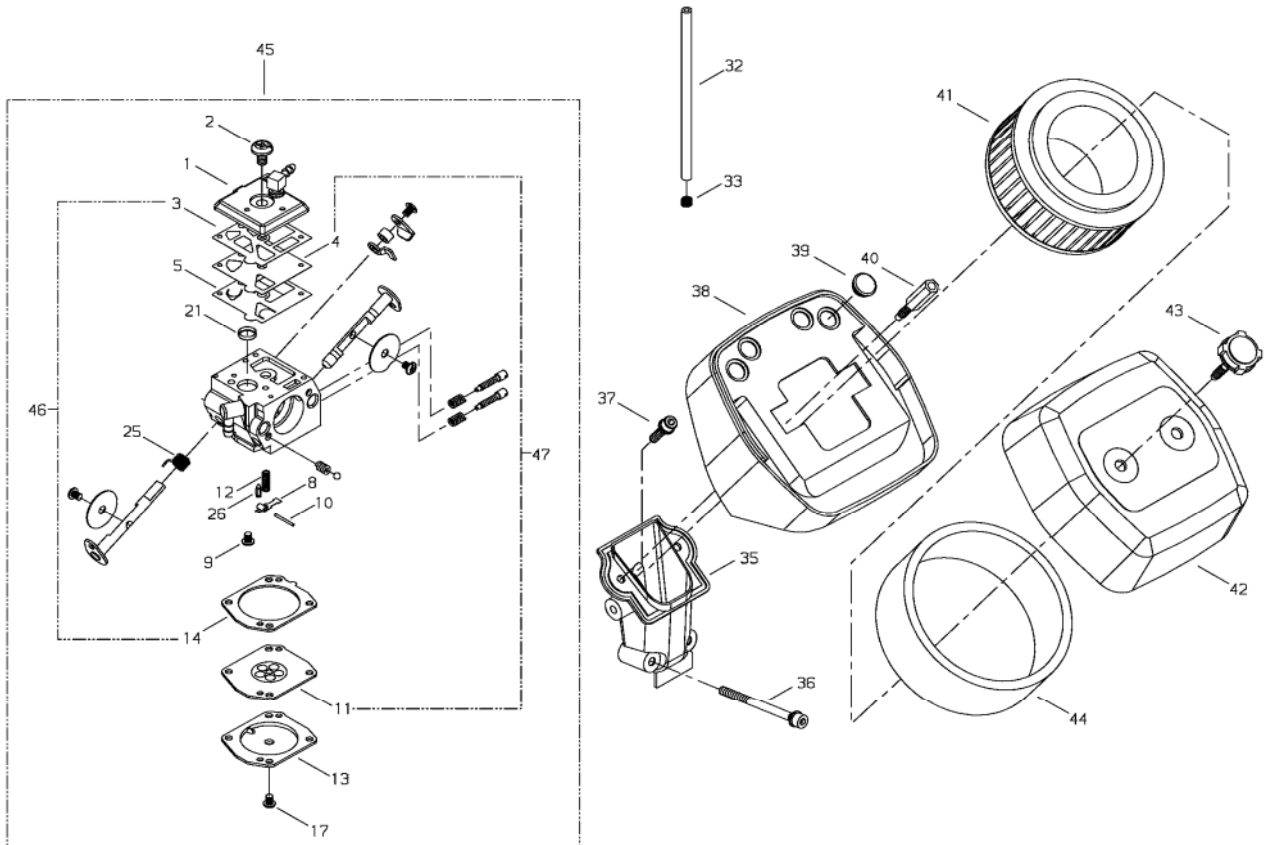
KEY	LV	PART NUMBER	Q'TY	DESCRIPTION	REMARKS	NOTE1	NOTE2
60		22155-56100	1	PUMP COVER SUB ASSY			
52	•	22155-56110	1	PUMP COVER			
53	•	22155-56120	1	MAT			
54		11205-04100	4	SCREW PM PW		M4x10	

7. RECOIL STARTER



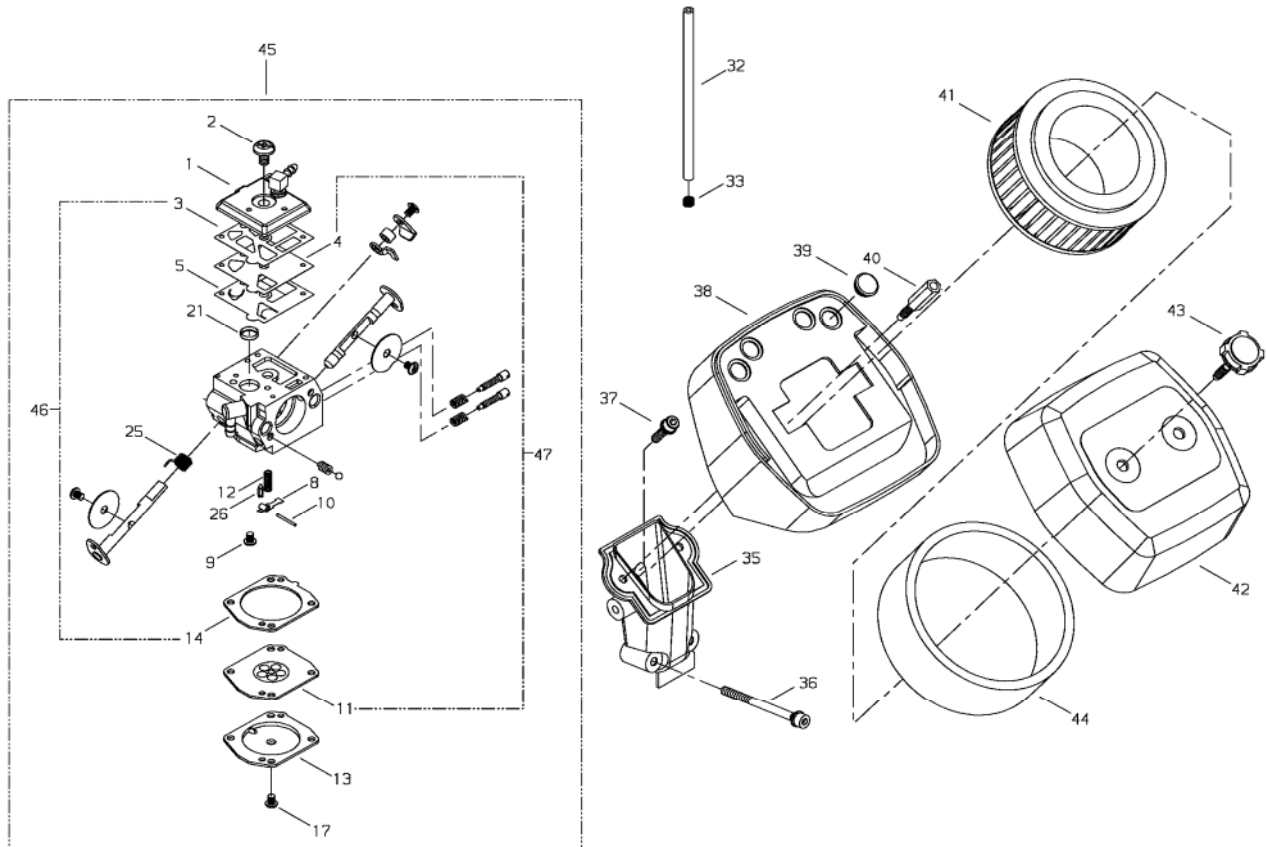
KEY	LV	PART NUMBER	Q'TY	DESCRIPTION	REMARKS	NOTE1	NOTE2
14		22169-75101	1	RECOIL STARETR			
1	•	22169-75211	1	RECOIL CASE			
2	• •	22160-75220	1	ROPE GUIDE			
3	•	22150-75310	1	REEL			
4	•	22155-75410	1	RECOIL SPRING ASSY			
5	•	22150-75450	1	WASHER			
6	•	01020-05120	1	BOLT	M5*12	M5x12	
7	•	22150-75510	1	ROPE			
8	•	22150-75520	1	KNOB RECOIL			
9	•	22150-75530	1	STOPPER KNOB			
10	•	20010-75230	1	TAPE			
11		22155-75610	1	AIR PLATE			
12		11022-05250	4	BOLT SPW		M5x25	
13		72334-92171	1	LABEL TRADE			

8. CARBURETOR



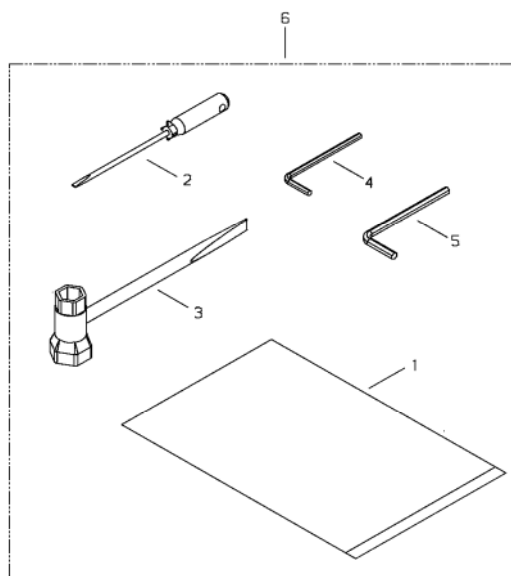
KEY	LV	PART NUMBER	Q'TY	DESCRIPTION	REMARKS	NOTE1	NOTE2
45		22175-81000	1	CARBURETOR ASSY			
1	▪	22150-81120	1	PUMP COVER ASSY			
2	▪	22150-81130	1	SCREW			
3	▪	22150-81140	1	GASKET PUMP			
4	▪	22169-81180	1	DIAPHRAGM PUMP			
5	▪	22169-81150	1	DIAPHRAGM PUMP			
8	▪	22150-81230	1	LEVER			
9	▪	22100-81240	1	SCREW			
10	▪	22100-81250	1	PIN			
11	▪	22150-81260	1	DIAPHRAGM ASSY			
12	▪	22150-81270	1	SPRING LEVER			
13	▪	22150-81280	1	COVER DAIPHFRAGM			
14	▪	22150-81290	1	GASKET DIAPHRAGM			
17	▪	22100-81351	4	SCREW			
21	▪	70030-81380	1	SCREEN			
25	▪	22150-81430	1	RETURN SPRING			
26	▪	20036-81440	1	VALVE			
46		22150-81930	1	GASKET KIT			
47		22169-81940	1	DIAPHRAGM KIT			
32		22155-82111	1	PULSE PIPE			
33		22150-82140	1	CLIP,PULSE			
34		22150-82120	1	CHOKE ROD			
35		22169-82211	1	ELBOW			
36		11021-05650	2	BOLT		M5x65	
37		11022-05200	1	BOLT SPW		M5x20	
38		22169-82251	1	CLEANER BASE			

8. CARBURETOR



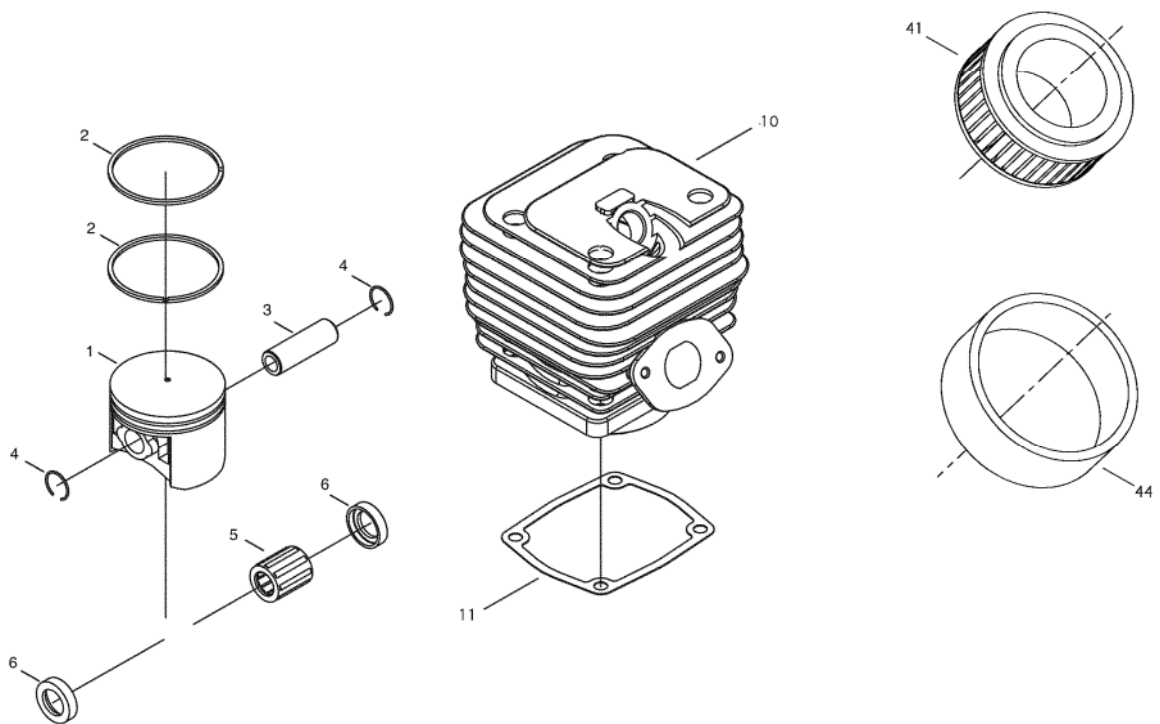
KEY	LV	PART NUMBER	Q'TY	DESCRIPTION	REMARKS	NOTE1	NOTE2
39		22150-33630	4	PLUG			
40		22169-82271	2	BOLT			
41		22169-82310	1	FILTER			
42		22169-82410	1	CLEANER COVER			
43		22169-82420	2	KNOB CLEANER COVER			
44		72330-82320	1	PRE FILTER			

9. TOOL



KEY	LV	PART NUMBER	Q'TY	DESCRIPTION	REMARKS	NOTE1	NOTE2
6		72297-91000	1	TOOL SET			
1	▪	19639-01100	1	POLY BAG			
2	▪	22150-91160	1	DRIVER			
3	▪	22150-91410	1	PLUG WRENCH			
4	▪	09026-03001	1	HEXA WRENCH 4MM		3mm M4	
5	▪	09026-04001	1	HEXA WRENCH	4MM M5ㇿ	4mm M5	

10. REPLACEMENT KIT



KEY	LV	PART NUMBER	Q'TY	DESCRIPTION	REMARKS	NOTE1	NOTE2
		69011-98310	1	ENGINE REBUILD KIT			
1	+	22152-41112		PISTON			
2	+	22152-41210		PISTON RING			
3	+	22152-41220		PISTON PIN			
4	+	22152-41231		SNAP RING			
5	+	22150-41280		NEEDLE BEARING			
6	+	22152-41250		THRUST WASHER			
10	+	22152-12111		CYLINDER			
11	+	22175-12121		GASKET CYLINDER			
41	+	22169-82310		FILTER			
44	+	72330-82320		PRE FILTER			

Index

Patrs Number	Key No.	Patrs Number	Key No.	Patrs Number	Key No.
01020-05120	7 - 6	22150-12180	1 - 7	22150-81270	8 - 12
01201-04160	1 - 8	22150-15412	1 - 16	22150-81280	8 - 13
01201-05120	5 - 21	22150-21220	2 - 2	22150-81290	8 - 14
01215-05080	1 - 12	22150-21250	2 - 4	22150-81430	8 - 25
01280-04102	3 - 23	22150-21521	2 - 9	22150-81930	8 - 46
01610-05080	5 - 15	22150-33340	3 - 14	22150-82120	3 - 15
01611-05100	3 - 53	22150-33410	3 - 24	22150-82120	8 - 34
02403-03100	4 - 8	22150-33420	3 - 25	22150-82140	8 - 33
02427-40125	5 - 27	22150-33520	3 - 56	22150-91160	9 - 2
09026-03001	9 - 4	22150-33630	3 - 32	22150-91410	9 - 3
09026-04001	9 - 5	22150-33630	8 - 39	22152-12111	1 - 1
11021-05650	8 - 36	22150-33640	3 - 33	22152-12111	10 - 10
11022-04160	6 - 12	22150-33720	3 - 35	22152-21501	2 - 16
11022-05200	6 - 8	22150-33750	3 - 37	22152-21510	2 - 8
11022-05200	8 - 37	22150-41280	4 - 5	22152-41112	4 - 1
11022-05250	7 - 12	22150-41280	10 - 5	22152-41112	10 - 1
11060-05162	3 - 5	22150-42002	4 - 7	22152-41210	4 - 2
11060-05500	2 - 14	22150-51230	5 - 7	22152-41210	10 - 2
11205-04100	5 - 19	22150-51310	5 - 9	22152-41220	4 - 3
11205-04100	5 - 54	22150-51510	5 - 1	22152-41220	10 - 3
11205-04160	5 - 50	22150-51520	5 - 2	22152-41231	4 - 4
11260-05124	3 - 4	22150-52411	5 - 13	22152-41231	10 - 4
12420-50284	3 - 19	22150-52440	5 - 16	22152-41250	4 - 6
12492-50100	2 - 10	22150-54211	5 - 25	22152-41250	10 - 6
12900-62020	2 - 3	22150-54311	5 - 28	22155-12190	1 - 3
12900-62020	2 - 11	22150-54320	5 - 29	22155-15420	1 - 15
13000-13507	6 - 19	22150-54330	5 - 30	22155-21630	2 - 12
15210-12305	6 - 16	22150-54340	5 - 31	22155-31110	3 - 1
15270-02003	5 - 56	22150-54410	5 - 32	22155-33450	3 - 26
19639-01100	9 - 1	22150-54522	5 - 34	22155-33460	3 - 27
20000-72230	6 - 14	22150-54630	5 - 39	22155-33501	3 - 28
20010-75230	7 - 10	22150-55120	5 - 42	22155-33530	3 - 29
20011-12260	1 - 17	22150-55312	5 - 44	22155-33730	3 - 36
20020-85540	3 - 52	22150-55411	5 - 47	22155-51200	5 - 58
20036-81440	8 - 26	22150-55421	5 - 48	22155-51210	5 - 5
22000-13420	5 - 55	22150-71120	6 - 2	22155-51220	5 - 6
22100-33180	3 - 21	22150-71700	6 - 9	22155-51240	5 - 8
22100-33190	3 - 22	22150-71720	6 - 10	22155-51500	5 - 57
22100-53330	5 - 17	22150-71730	6 - 11	22155-51530	5 - 3
22100-71430	6 - 4	22150-75310	7 - 3	22155-51550	5 - 4
22100-71441	6 - 5	22150-75450	7 - 5	22155-52510	5 - 20
22100-81240	8 - 9	22150-75510	7 - 7	22155-53310	5 - 14
22100-81250	8 - 10	22150-75520	7 - 8	22155-55110	5 - 41
22100-81351	8 - 17	22150-75530	7 - 9	22155-55430	5 - 49
22102-32140	3 - 3	22150-81120	8 - 1	22155-56100	5 - 60
22115-57120	2 - 5	22150-81130	8 - 2	22155-56110	5 - 52
22118-85460	3 - 49	22150-81140	8 - 3	22155-56120	5 - 53
22150-12152	1 - 5	22150-81230	8 - 8	22155-71130	6 - 3
22150-12170	1 - 6	22150-81260	8 - 11	22155-72220	6 - 13

Index

Patrs Number	Key No.	Patrs Number	Key No.	Patrs Number	Key No.
22155-72250	6 - 15	22169-82420	8 - 43		
22155-72270	6 - 17	22175-12121	1 - 2		
22155-72280	6 - 18	22175-12121	4 - 9		
22155-75410	7 - 4	22175-12121	10 - 11		
22155-75610	7 - 11	22175-12141	1 - 4		
22155-82111	8 - 32	22175-15210	1 - 14		
22155-97610	5 - 18	22175-15440	1 - 18		
22155-97620	5 - 23	22175-21200	2 - 1		
22157-33950	3 - 44	22175-21300	2 - 6		
22160-31150	3 - 6	22175-21340	2 - 7		
22160-32210	3 - 40	22175-33770	3 - 39		
22160-33801	3 - 41	22175-54003	5 - 59		
22160-33821	3 - 42	22175-54113	5 - 22		
22160-54220	5 - 26	22175-54510	5 - 33		
22160-55200	5 - 43	22175-54590	5 - 36		
22160-75220	7 - 2	22175-57380	5 - 46		
22161-54580	5 - 35	22175-71110	6 - 1		
22169-21910	2 - 13	22175-81000	8 - 45		
22169-32113	3 - 7	69011-98310	10 -		
22169-32210	3 - 8	70030-81380	8 - 21		
22169-32220	3 - 9	72171-33170	3 - 20		
22169-33102	3 - 54	72230-15160	1 - 10		
22169-33201	3 - 10	72230-15172	1 - 11		
22169-33310	3 - 11	72230-52630	2 - 15		
22169-33321	3 - 12	72231-54610	5 - 37		
22169-33330	3 - 13	72231-54620	5 - 38		
22169-33360	3 - 16	72281-33761	3 - 38		
22169-33380	3 - 17	72282-15101	1 - 9		
22169-33390	3 - 18	72282-15310	1 - 13		
22169-33540	3 - 30	72297-91000	9 - 6		
22169-33550	3 - 31	72316-54171	5 - 24		
22169-33940	3 - 43	72330-33710	3 - 34		
22169-34110	3 - 45	72330-82320	8 - 44		
22169-35400	3 - 55	72330-82320	10 - 44		
22169-35420	3 - 47	72330-92150	3 - 2		
22169-57360	5 - 45	72334-92171	7 - 13		
22169-71460	6 - 6	72334-92181	5 - 40		
22169-71510	6 - 7	72334-98010	4 - 10		
22169-75101	7 - 14				
22169-75211	7 - 1				
22169-81150	8 - 5				
22169-81180	8 - 4				
22169-81940	8 - 47				
22169-82211	8 - 35				
22169-82251	8 - 38				
22169-82271	8 - 40				
22169-82310	8 - 41				
22169-82310	10 - 41				
22169-82410	8 - 42				

YAMABIKO CORPORATION

7-2 SUEHIROCHO 1-CHOME, OHME, TOKYO 198-8760, JAPAN
PHONE: 81-428-32-6118. FAX: 81-428-32-6145.

shindaiwa[®]

EMC
No.