

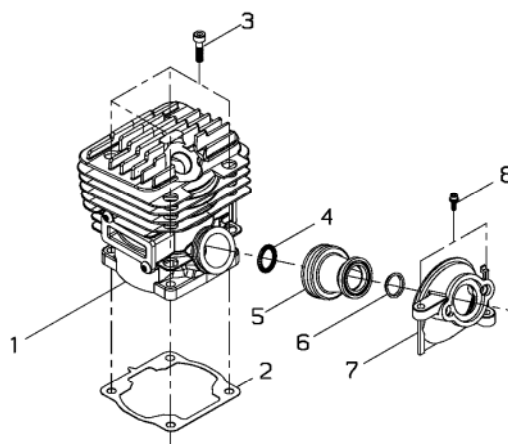
**shindaiwa<sup>®</sup>**

# **PARTS CATALOGUE**

**CHAIN SAW  
502S EPA**

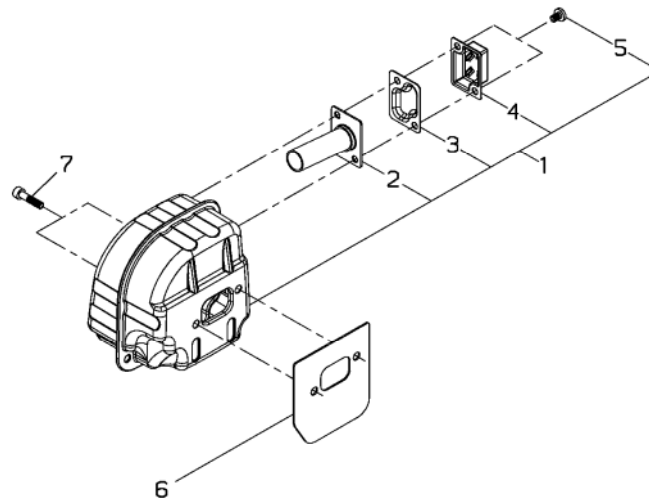
502S EPA

## 1. CYLINDER



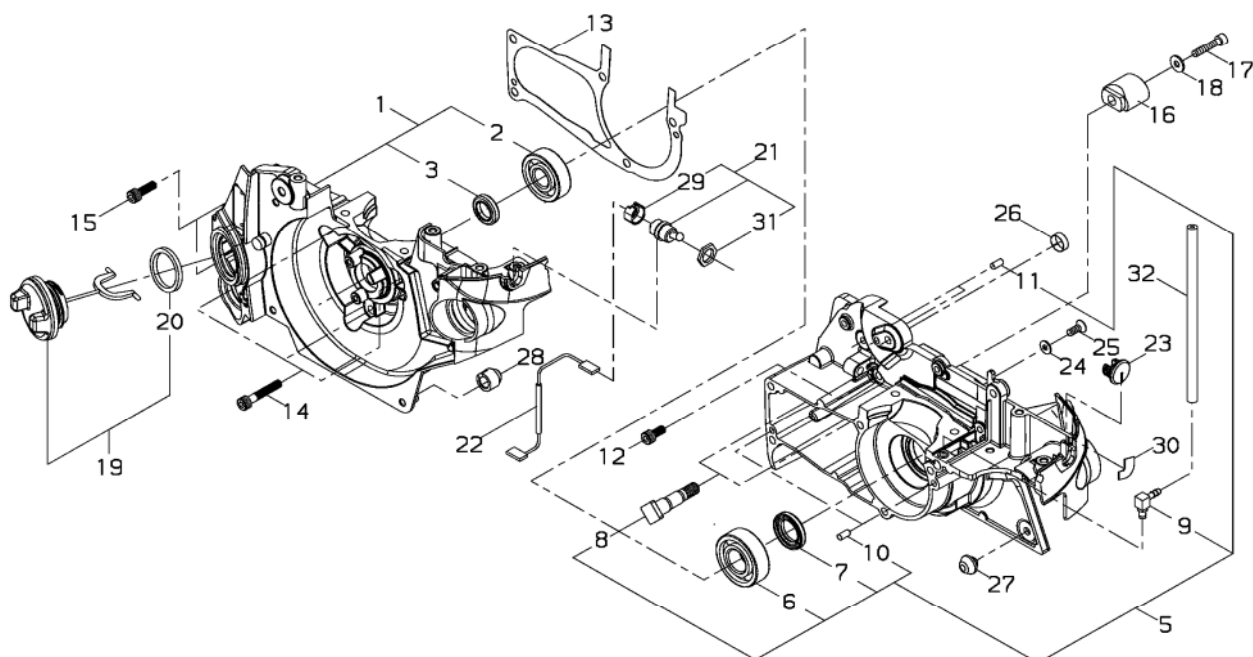
KEY	LV	PART NUMBER	Q'TY	DESCRIPTION	REMARKS	NOTE1	NOTE2
1		69033-12010	1	CYLINDER-C			
2		6903312120	1	ガスケットシリンダ			
3		11060-05183	4	BOLT,ADHESIVE			
4		22160-12160	1	SPRING			
5		39311-12210	1	BOOT			
6		22156-14140	1	COLLAR			
7		39311-12220	1	BRACKET			
8		11060-04163	2	BOLT		M 4 x 1 6	

2. MUFFLER



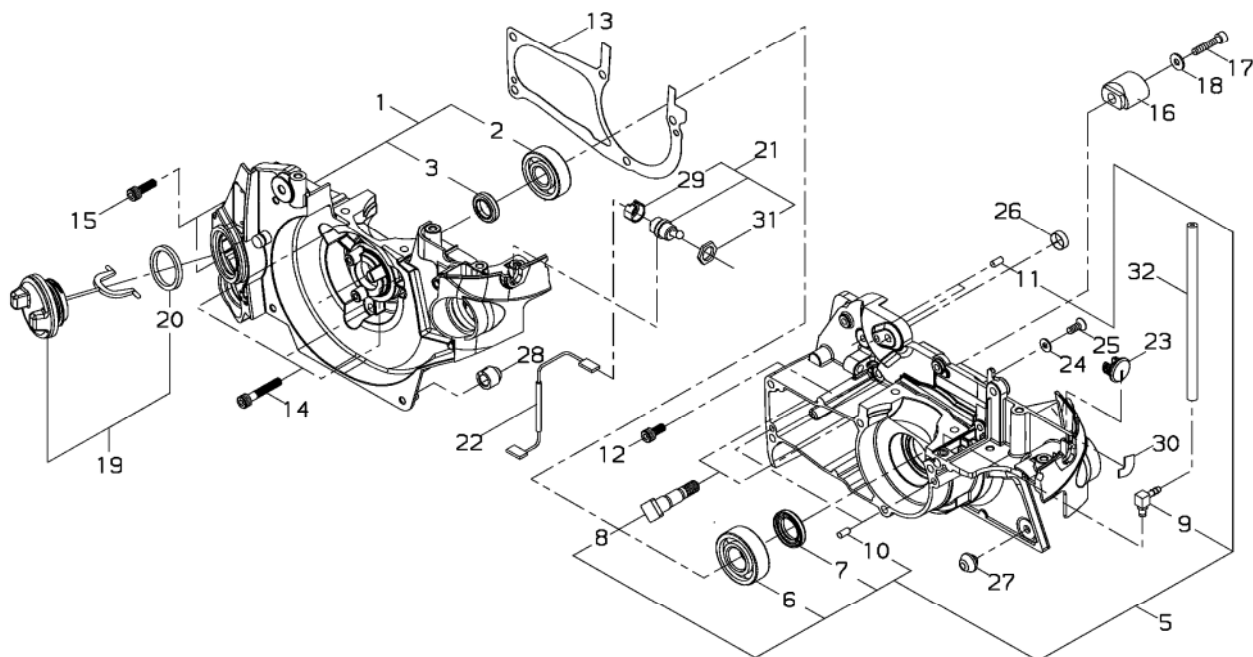
KEY	LV	PART NUMBER	Q'TY	DESCRIPTION	REMARKS	NOTE1	NOTE2
1		69028-15311	1	MUFFLER ASSY			
2	•	22197-15130	1	TAIL PIPE			
3	•	72311-15190	1	SCREEN			
4	•	69028-15320	1	TAIL PLATE			
5	•	11203-04060	2	SCREW PM		M 4 x 6	
6		39311-15210	1	GASKET, EXHAUST			
7		11060-05183	4	BOLT, ADHESIVE			

## 3. CRANKCASE



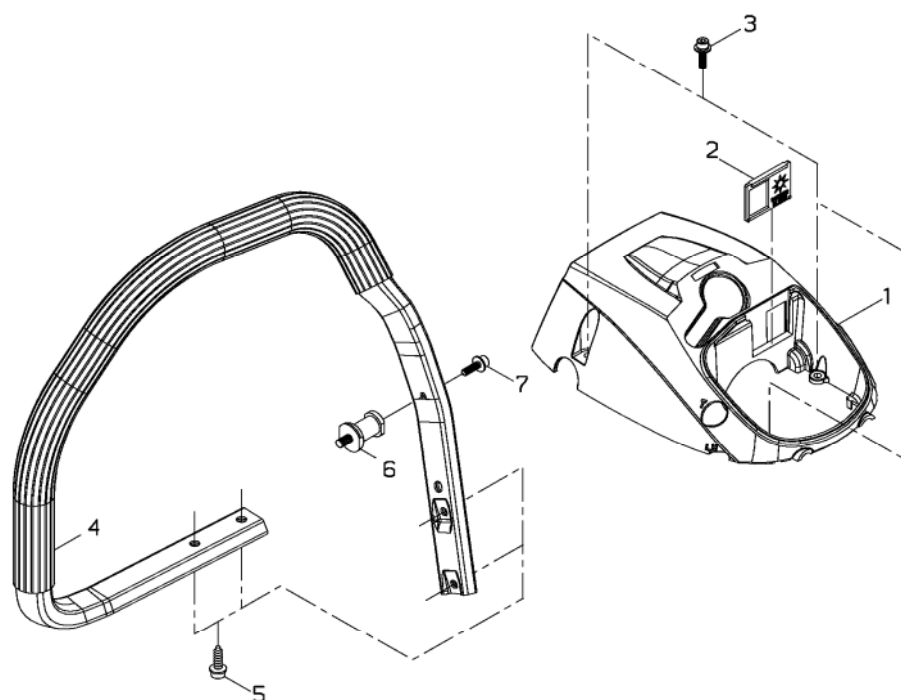
KEY	LV	PART NUMBER	Q'TY	DESCRIPTION	REMARKS	NOTE1	NOTE2
1		69033-21011	1	CRANKCASE,M-C			
2	•	12900-62010	1	BEARING		6201	
3	•	37013-21120	1	OIL SEAL			
5		69033-21020	1	CRANKCCASE,C-C			
6	•	12900-62020	1	BEARING		φ 3 5	
7	•	12310-12003	1	OIL SEAL			
8	•	22160-21520	2	BOLT,STUD			
9	•	39010-11020	1	PULSE JOINT			
10	•	12492-40080	2	ROLLER		φ 4 × 8 L	
11	•	12492-40110	2	ROLLAR		φ 4 × L 1 1	
12		1106005124	1	BOLT			
13		69033-21320	1	CRANKCASE,GASKET			
14		22169-21910	3	BOLT		M 5 × 3 5	
15		11060-05183	2	BOLT,ADHESIVE			
16		22160-52511	1	CATCHER,CHAIN			
17		22155-12190	1	BOLT		M 5 × 2 5	
18		01610-05080	1	WASHER		5 mm	
19		39311-21030	1	CAP ASSY			
20	•	38010-32271	1	GASKET			
21		39311-21370	1	SWITCH			
22		14352-01300	1	LEAD			
23		39054-21320	1	PLUG			
24		01613-04080	1	WASHER		M 4	
25		01201-04080	1	SCREW		M 4 × 8	
26		39311-21360	1	COLLAR,8			
27		22182-21621	1	SUPPORTER			

## 3. CRANKCASE



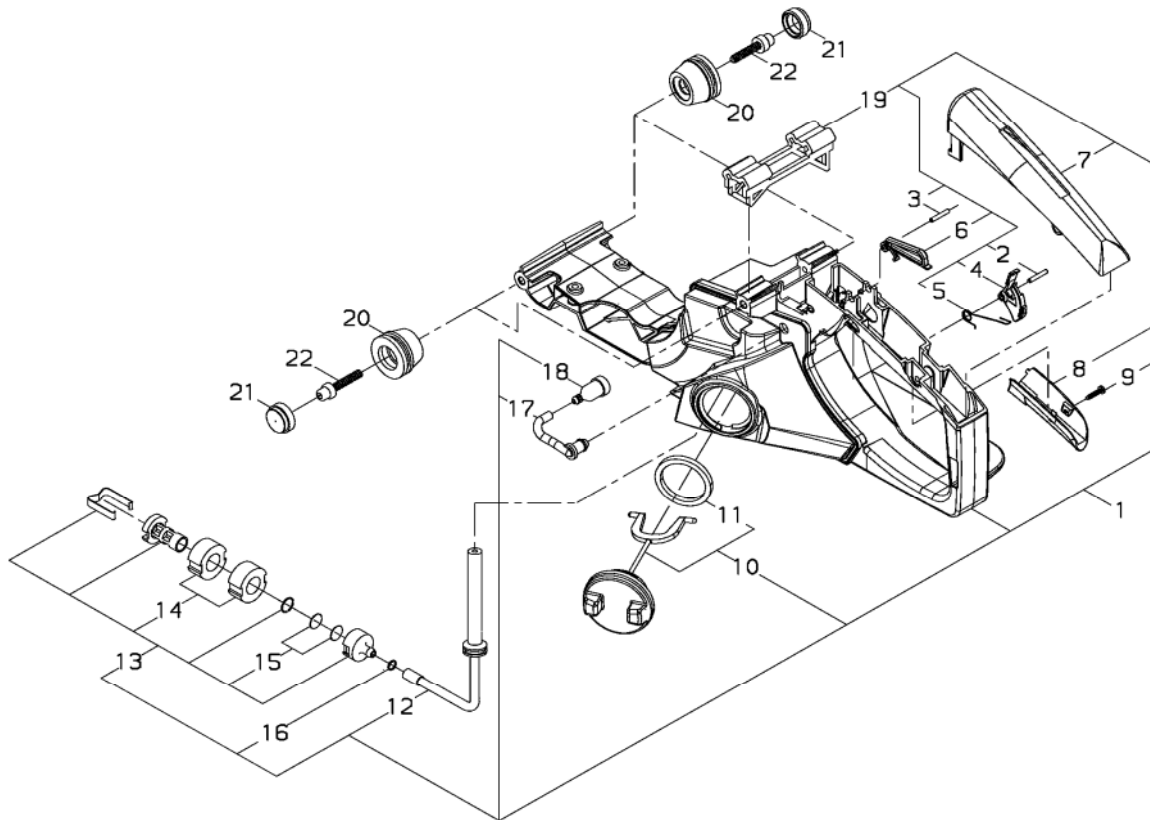
KEY	LV	PART NUMBER	Q'TY	DESCRIPTION	REMARKS	NOTE1	NOTE2
28		39311-33330	1	CUSHION			
29	▪	39311-21380	1	CAP			
30		39054-83310	1	PROTECTOR			
31	▪	22154-22130	1	NUT			
32		39010-11050	1	PLUSE PIPE			

## 4. CYLINDER COVER, HANDLE



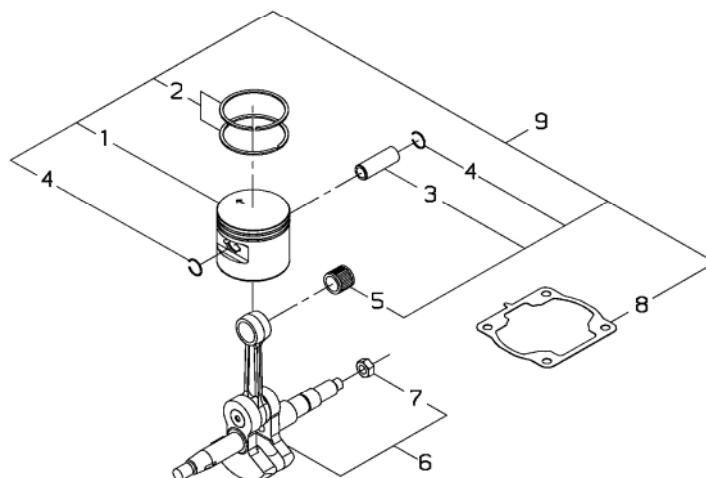
KEY	LV	PART NUMBER	Q'TY	DESCRIPTION	REMARKS	NOTE1	NOTE2
1		6903331110	1	CYLINDER COVER			
2		39311-31310	1	SHUTTER,AIR			
3		11060-04163	3	BOLT		M 4 x 1 6	
4		69033-32110	1	FRONT HANDLE			
5		11044-05160	4	BOLT TAPPING		φ 5 x 1 6	
6		22182-33742	1	CUSHION			
7		11060-04141	1	BOLT ADHESIVE		M 4 x 1 4	

## 5. REAR HANDLE



KEY	LV	PART NUMBER	Q'TY	DESCRIPTION	REMARKS	NOTE1	NOTE2
1		39311-32024	1	REAR HANDLE ASSY			
2	•	12420-40255	1	SPRING PIN		φ 4 × 2 5	
3	•	02427-40225	1	PIN			
4	•	22182-33326	1	TRIGGER, THROTTLE			
5	•	22182-33340	1	SPRING, TORSION			
6	•	22182-33332	1	LOCKOUT, THROTTLE			
7	•	39311-32330	1	LID, HANDLE			
8	•	22182-33230	1	GRIP			
9	•	01280-04222	1	SCREW TAPPING		M 4 × 2 2	
10	•	39309-32040	1	CAP ASSY			
11	• •	39309-32270	1	GASKET			
12	•	39309-32340	1	FUEL PIPE			
13	•	22115-85401	1	FUEL FILTER			
14	• •	22128-85421	2	ELEMENT, STRAINER			
15	• •	22118-85460	2	ELEMENT			
16	•	20020-85540	1	CLIP		φ 6	
17	•	39311-32341	1	PIPE			
18	•	22197-33960	1	VALVE			
19	•	39311-32370	1	STOPPER			
20		39311-33310	4	CUSHION			
21		39311-33320	4	PLUG			
22		22160-33770	4	BOLT			

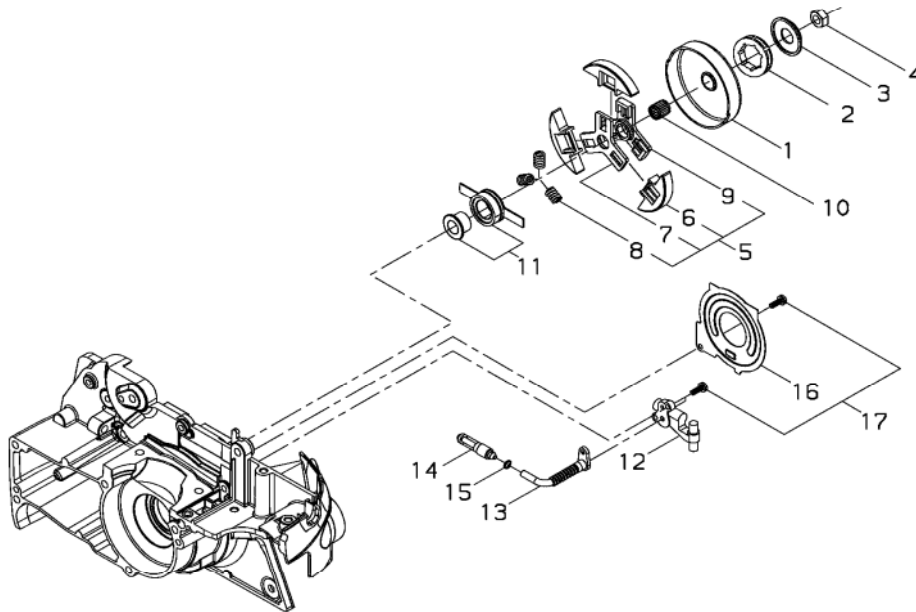
## 6. PISTON



KEY	LV	PART NUMBER	Q'TY	DESCRIPTION	REMARKS	NOTE1	NOTE2
1	•	6903341110	1	PISTON			
2	•	69033-41120	2	PISTON RING			
3	•	22157-41220	1	PISTON PIN			
4	•	22100-41230	2	SNAP RING			
5	•	22160-41240	1	BEARING			
6		39223-98391	1	CRANK SHAFT			
7	•	11500-08001	1	NUT		M8	
8	•	6903312120	1	ガスケット シリンダ*			
9		69033-98320	1	PISTON SET			

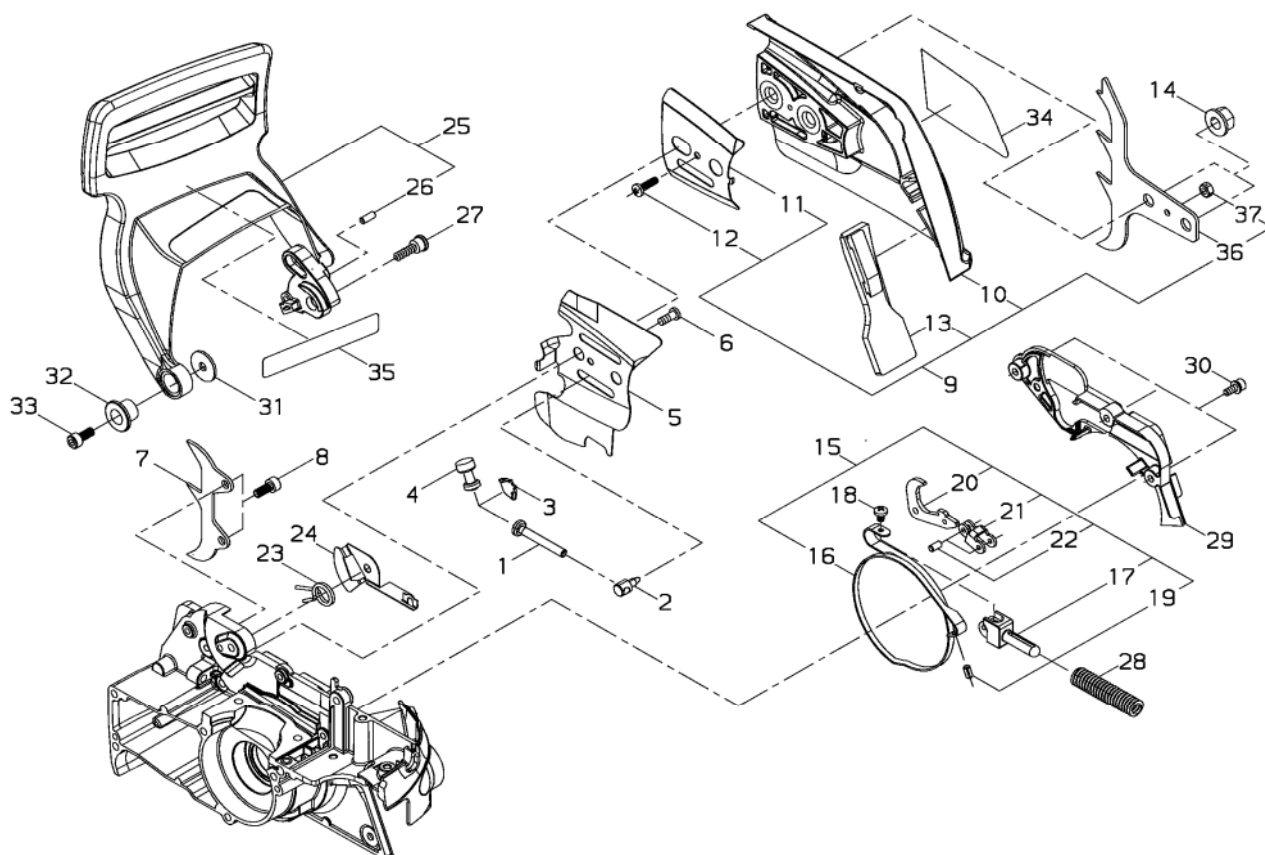


## 7. CLUTCH



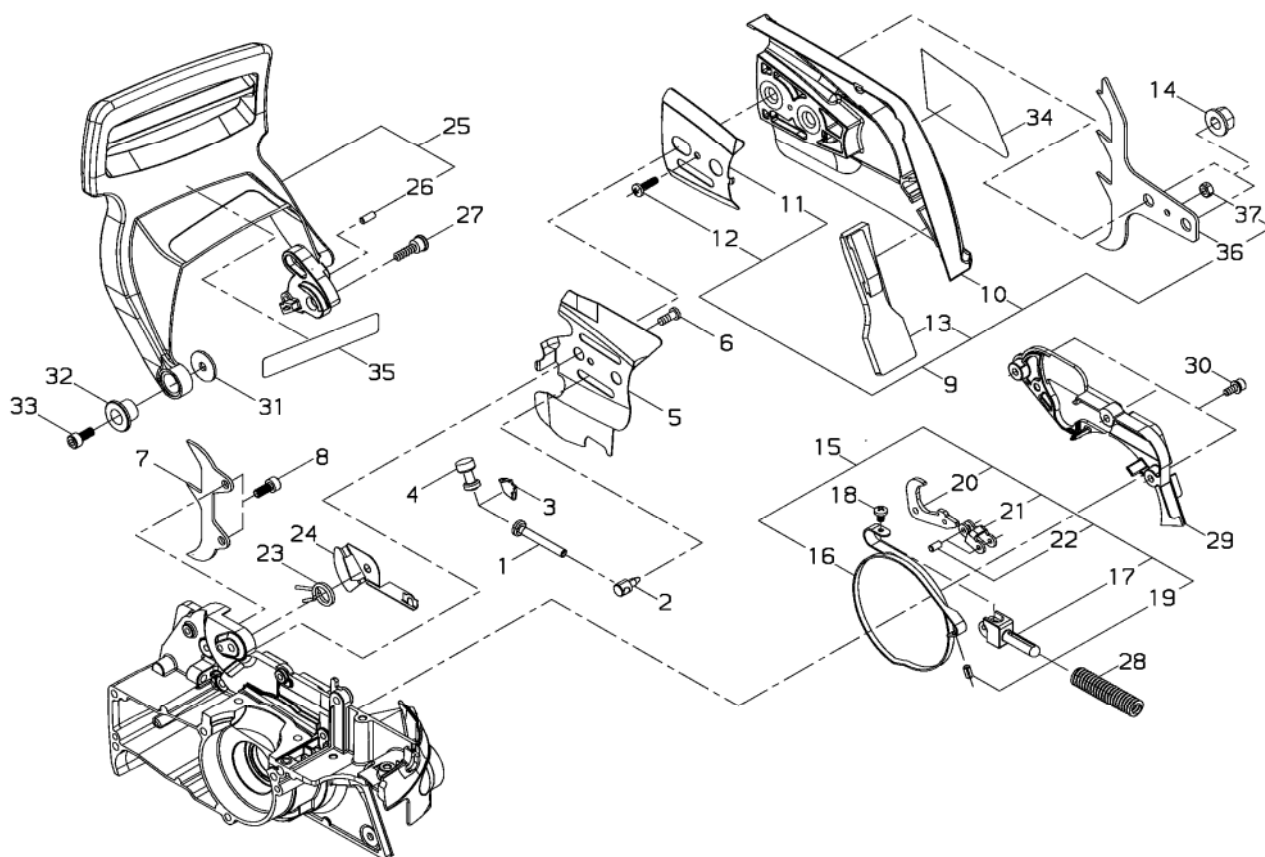
KEY	LV	PART NUMBER	Q'TY	DESCRIPTION	REMARKS	NOTE1	NOTE2
1		39311-51110	1	CLUTCH DRUM			
2		22131-98120	1	RIM		3 2 5 - 7	
3		39311-51320	1	COLLAR			
4		11500-08001	1	NUT		M8	
5		39311-51020	1	CLUTCH ASSY			
6	•	39311-51120	3	CLUTCH SHOE			
7	•	39311-51130	1	CLUTCH BOSS			
8	•	22197-51230	3	SPRING			
9	•	22182-51241	1	HUB, CLUTCH			
10		22100-51310	1	NEEDLE BEARING			
11		22197-55111	1	GEAR			
12		22197-55201	1	OIL PUMP ASSY			
13		22182-55311	1	OIL PIPE			
14		22182-55330	1	OIL FILTER			
15		20020-85540	1	CLIP		φ 6	
16		39311-55231	1	PUMP COVER			
17		11060-04141	3	BOLT ADHESIVE		M 4 x 1 4	

## 8. CLUTCH COVER



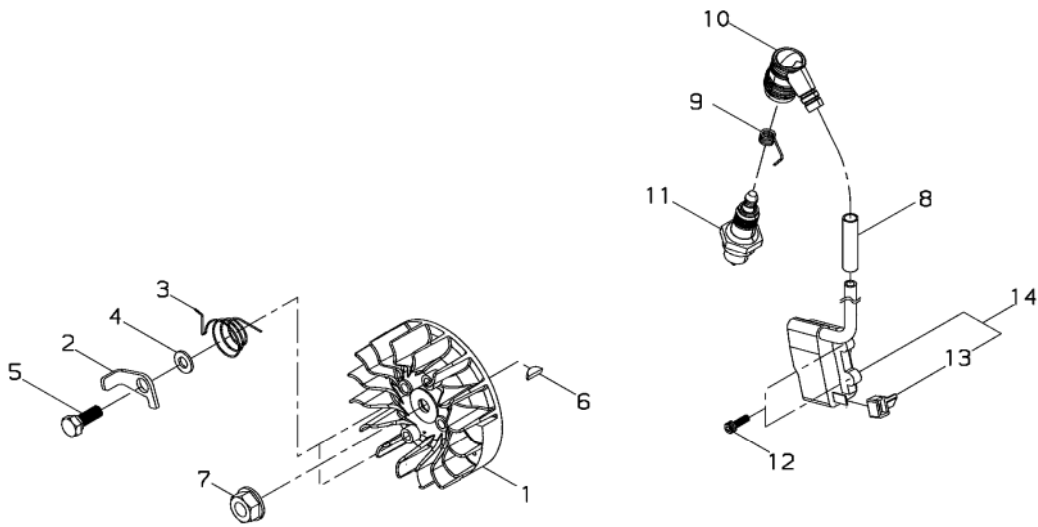
KEY	LV	PART NUMBER	Q'TY	DESCRIPTION	REMARKS	NOTE1	NOTE2
1		22182-52620	1	SCREW			
2		22150-52440	1	TENSIONER,CHAIN			
3		22182-52631	1	GUIDE			
4		22182-52641	1	ADJUST GEAR			
5		39311-52130	1	GUIDE PLATE			
6		22173-56150	1	SCREW		M 4 x 7	
7		39311-52140	1	SPIKE			
8		01020-05120	2	BOLT	M5*12	M 5 x 1 2	
9		69033-53010	1	CLUTCH COVER ASSY			
10		39311-53110	1	CLUTCH COVER			
11		39311-53121	1	GUIDE PLATE			
12		01270-04143	1	SCREW TAPPING		φ 4 x 1 4	
13		39311-53130	1	PROTECTOR			
14		22182-52411	2	NUT			
15		39311-54310	1	BRAKE BAND COMP			
16		39311-54110	1	BRAKE BAND			
17		39311-54320	1	CONNECTOR,BRAKE			
18		01270-04103	1	SCREW TAPPING		φ 4 x 1 0	
19		02427-40105	1	PIN			
20		39311-54330	1	CONNECTOR,BRAKE			
21		39311-54340	1	TIE STRAP			
22		12492-30110	2	ROLLER		φ 3 x L 1 1 . 8	
23		17520-15400	1	COIL SPRING			
24		39311-54350	1	PLATE			
25		39311-54364	1	GUARD COMP			
26		12492-40080	1	ROLLER		φ 4 x 8 L	

## 8. CLUTCH COVER



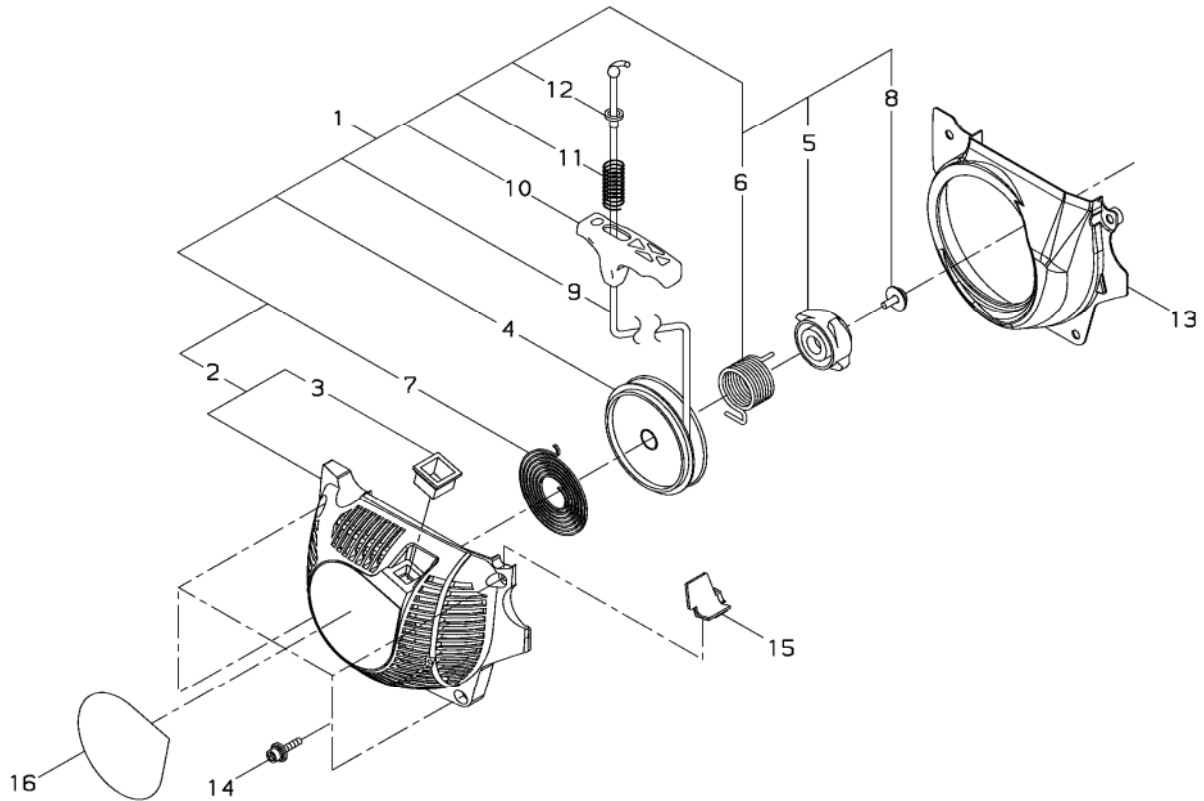
KEY	LV	PART NUMBER	Q'TY	DESCRIPTION	REMARKS	NOTE1	NOTE2
27		39311-54381	1	BOLT,ADHESIVE			
28		17500-12300	1	COIL SPRING			
29		39311-54130	1	COVER BRAKE			
30		11060-04100	3	BOLT		M 4 x 1 0	
31		22169-54670	1	WASHER			
32		15401-10121	1	COLLAR			
33		11060-05183	1	BOLT,ADHESIVE			
34		6903391330	1	LABEL TRADE			
35		1940200347	1	LABEL CAUTION			
36	•	6903353310	1	SPIKE			
37	•	11500-04001	1	NUT			

## 9. MAGNETO



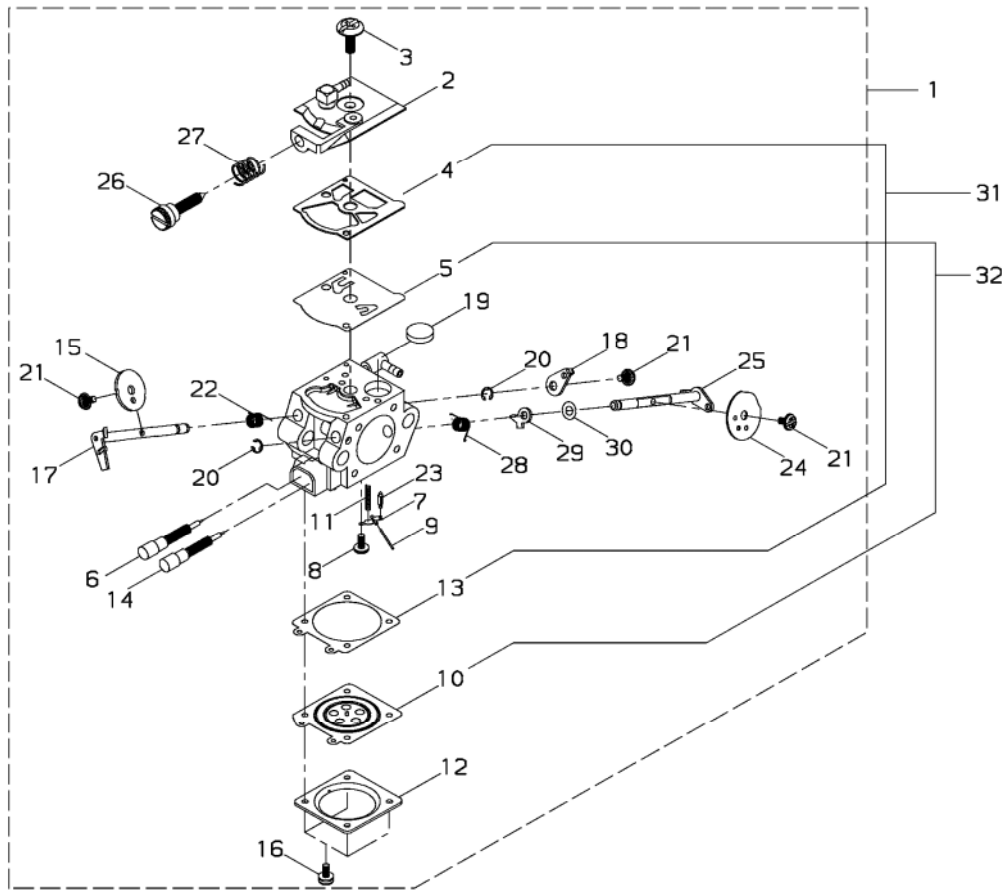
KEY	LV	PART NUMBER	Q'TY	DESCRIPTION	REMARKS	NOTE1	NOTE2
1		39311-71110	1	ROTOR			
2		22182-71412	2	PAWL			
3		22182-71421	2	SPRING RATCHET			
4		22182-71430	2	WASHER			
5		22182-71440	2	BOLT			
6		02403-03100	1	KEY	3*10	3X10A	
7		22169-71460	1	NUT		M 8 x 1 . 0	
8		39311-71310	1	TUBE			
9		22154-72230	1	TERMINAL SPARKPLUG			
10		38010-71330	1	PLUG CAP			
11		13000-03506	1	SPARK PLUG CHAMPION			
12		11060-04202	2	BOLT ADHESIVE		M 4 x 2 0	
13		39311-71320	1	BODY, TERMINAL			
14		39311-71360	1	COIL			

## 10. RECOIL STARTER



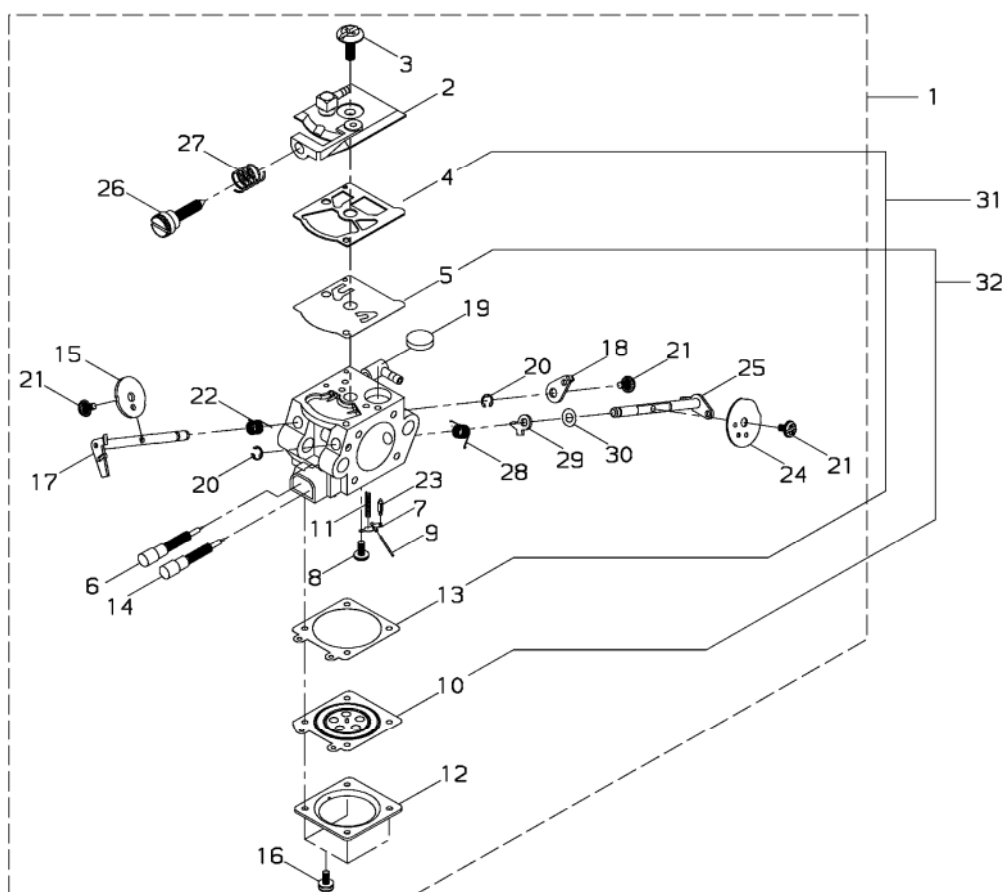
KEY	LV	PART NUMBER	Q'TY	DESCRIPTION	REMARKS	NOTE1	NOTE2
1		39311-75011	1	RECOIL STARTER ASSY			
2	•	39311-75110	1	RECOIL CASE			
3	• •	22182-75120	1	GUIDE			
4	•	39300-75121	1	REEL			
5	•	39300-75311	1	CAM			
6	•	39309-75320	1	SPRING, TORSION		φ 2 . 6	
7	•	39300-75130	1	RECOIL SPRING			
8	•	39300-75330	1	SCREW			
9	•	39300-75140	1	ROPE		φ 3 . 8 x 7 5 0	
10	•	39300-75151	1	KNOB			
11	•	39300-75340	1	SPRING, COMPRESSION			
12	•	39300-75350	1	SPACER			
13		69033-75310	1	AIR PLATE			
14		11060-04163	4	BOLT		M 4 x 1 6	
15		69025-75310	1	GROMMET			
16		6903391320	1	LABEL TRADE			

## 11. CARBURETOR



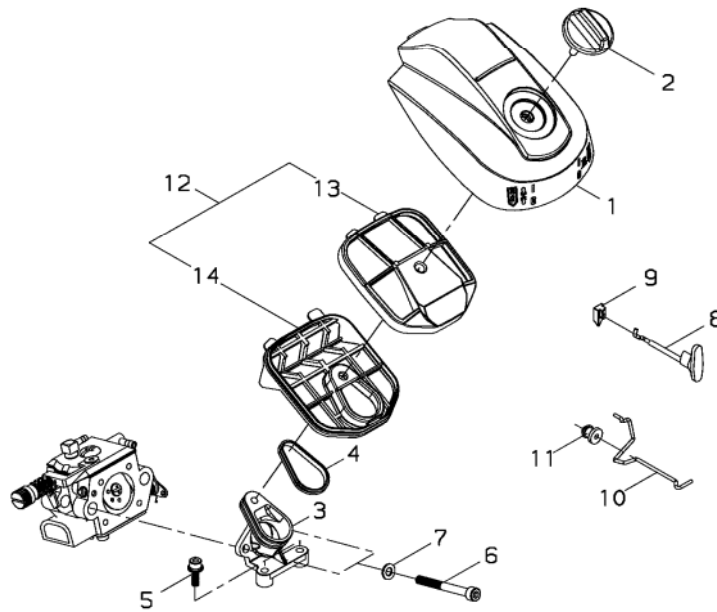
KEY	LV	PART NUMBER	Q'TY	DESCRIPTION	REMARKS	NOTE1	NOTE2
1		69033-81010	1	CARBURETOR ASSY			
2	•	39010-81320	1	COVER, PUMP			
3	•	22100-81130	1	SCREW			
4	•	22128-81140	1	GASKET, FUEL PUMP			
5	•	22128-81150	1	DIAPHRAGM PUMP			
6	•	69024-81320	1	NEEDLE			
7	•	22100-81230	1	LEVER, METERING			
8	•	22100-81240	1	SCREW			
9	•	22100-81250	1	PIN			
10	•	37145-81320	1	DIAPHRAGM			
11	•	72342-81270	1	SPRING, METER. LEVER			
12	•	22100-81280	1	COVER DIAPHRAGM			
13	•	22100-81290	1	GASKET, M. DIAPHRAGM			
14	•	69024-81330	1	NEEDLE			
15	•	22197-81340	1	THROTTLE VALVE			
16	•	22100-81351	4	SCREW			
17	•	69018-81310	1	SHAFT ASSY			
18	•	22180-81380	1	THROTTLE LEVER			
19	•	70030-81380	1	SCREEN			
20	•	70030-81390	2	E-RING			
21	•	20803-81150	3	SCREW			
22	•	72320-81420	1	SPRING			
23	•	20036-81440	1	VALVE			
24	•	22156-81710	1	VALVE, CHOKE			
25	•	22180-81740	1	SHAFT			
26	•	72320-81410	1	IDEL SCREW			

## 11. CARBURETOR



KEY	LV	PART NUMBER	Q'TY	DESCRIPTION	REMARKS	NOTE1	NOTE2
27	•	22156-81420	1	SPRING, IDLE ADJUST			
28	•	39067-81390	1	SPRING			
29	•	39067-81410	1	LEVER			
30	•	20036-81185	1	WASHER			
31		22128-81920	1	GASKET KIT			
32		39067-98340	1	DIAPHRAGM			

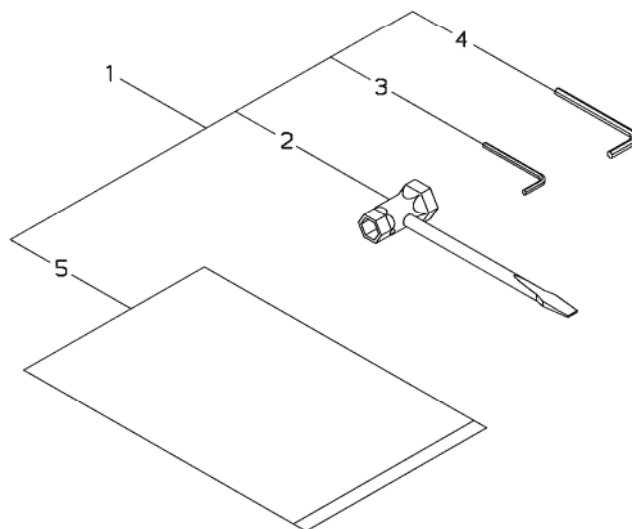
12. AIR CLEANER



KEY	LV	PART NUMBER	Q'TY	DESCRIPTION	REMARKS	NOTE1	NOTE2
1		39311-82131	1	CLEANER COVER			
2		22182-31220	1	KNOB,CLEANER LID			
3		39311-82360	1	ELBOW			
4		39311-82370	1	GASKET			
5		11060-04163	2	BOLT		M 4 x 1 6	
6		01020-05480	2	BOLT		M 5 x 4 8	
7		01610-05080	2	WASHER		5 mm	
8		39311-83310	1	CHOKE ROD			
9		39311-83320	1	GROMMET			
10		39311-83330	1	THROTTLE ROD			
11		38010-83330	1	GROMMET			
12		39311-82311	1	AIR CLEANER ASSY		300	
13	•	39311-82321	1	AIR CLEANER UPPER			
14	•	39311-82331	1	AIR CLEANER LOWER			

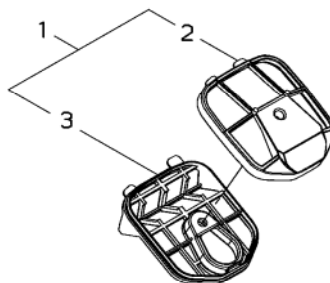


## 13. TOOL



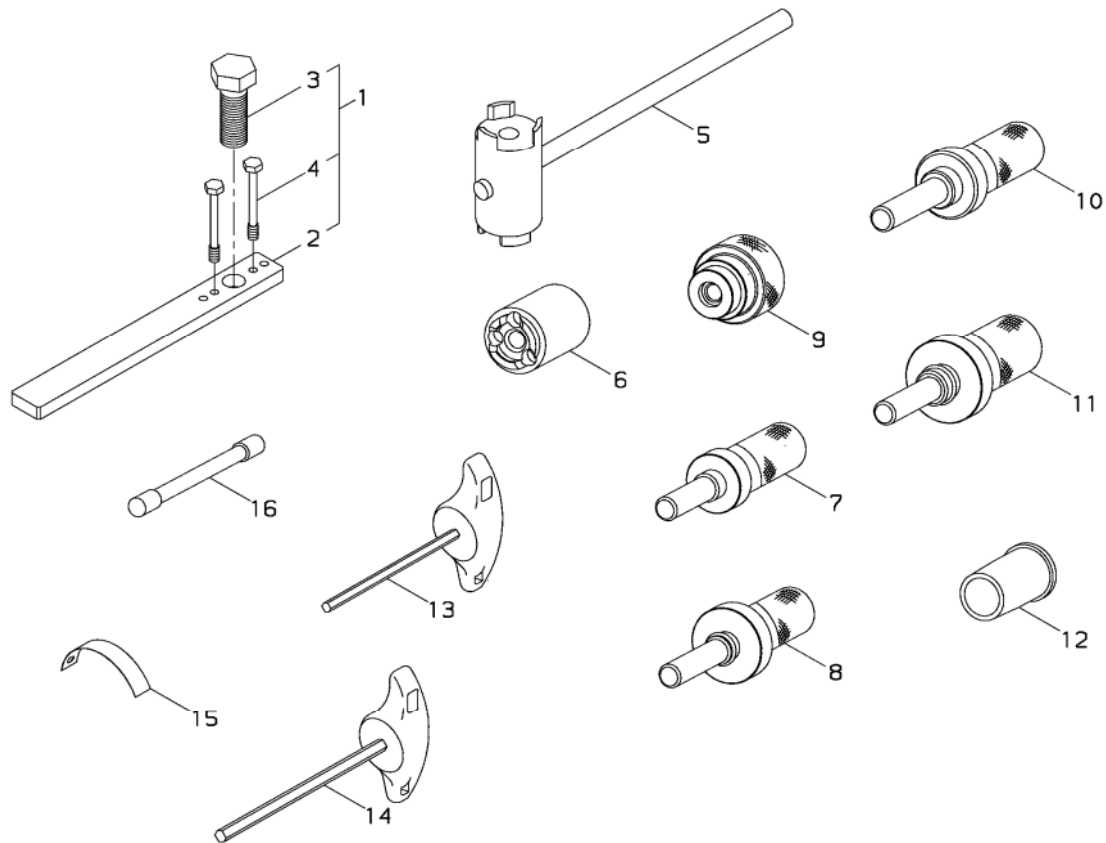
KEY	LV	PART NUMBER	Q'TY	DESCRIPTION	REMARKS	NOTE1	NOTE2
1		69023-92310	1	TOOL SET			
2	•	22000-91181	1	PLUG WRENCH		1 9 x 1 3	
3	•	09026-03001	1	HEXA WRENCH 4MM		4 mm	
4	•	09026-04001	1	HEXA WRENCH	4MM M5㉿	5 mm	
5	•	19639-01100	1	POLY BAG			

## 14. OPTION PARTS



KEY	LV	PART NUMBER	Q'TY	DESCRIPTION	REMARKS	NOTE1	NOTE2
1		39223-98510	1	AIR CLEANER ASSY			
2	•	39223-98341	1	AIR CLEANER UPPER			
3	•	39223-98351	1	AIR CLEANER LOWER			

## 15. OPTION TOOL



KEY	LV	PART NUMBER	Q'TY	DESCRIPTION	REMARKS	NOTE1	NOTE2
1		39067-98350	1	PULLER ASSY			
2	•	39067-98360	1	LEVER			
3	•	39067-98370	1	CENTER BOLT			
4	•	22102-96130	2	BOLT			
5		39067-98380	1	CLUTCH SPANNER			
6		22160-96411	1	HOLDER			
7		22154-96420	1	ROD OIL SEAL			
8		22154-96430	1	ROD BEARING			
9		22182-96440	1	HOLDER			
10		22182-96460	1	ROD OIL SEAL			
11		22169-96430	1	ROD 6202			
12		22182-96470	1	COLLAR OIL SEAL			
13		22155-96521	1	T WRENCH 4		M 4 3 mm	
14		22155-96531	1	T WRENCH 5		M 5 4 mm	
15		20000-96210	1	AIR GAP GAUGE		0.35	
16		22155-96240	1	PISTON STOPPER			

**Index**

<b>Patrs Number</b>	<b>Key No.</b>	<b>Patrs Number</b>	<b>Key No.</b>	<b>Patrs Number</b>	<b>Key No.</b>
01020-05120	8 - 8	20020-85540	7 - 15	22182-31220	12 - 2
01020-05480	12 - 6	20036-81185	11 - 30	22182-33230	5 - 8
01201-04080	3 - 25	20036-81440	11 - 23	22182-33326	5 - 4
01270-04103	8 - 18	20803-81150	11 - 21	22182-33332	5 - 6
01270-04143	8 - 12	22000-91181	13 - 2	22182-33340	5 - 5
01280-04222	5 - 9	22100-41230	6 - 4	22182-33742	4 - 6
01610-05080	3 - 18	22100-51310	7 - 10	22182-51241	7 - 9
01610-05080	12 - 7	22100-81130	11 - 3	22182-52411	8 - 14
01613-04080	3 - 24	22100-81230	11 - 7	22182-52620	8 - 1
02403-03100	9 - 6	22100-81240	11 - 8	22182-52631	8 - 3
02427-40105	8 - 19	22100-81250	11 - 9	22182-52641	8 - 4
02427-40225	5 - 3	22100-81280	11 - 12	22182-55311	7 - 13
09026-03001	13 - 3	22100-81290	11 - 13	22182-55330	7 - 14
09026-04001	13 - 4	22100-81351	11 - 16	22182-71412	9 - 2
11044-05160	4 - 5	22102-96130	15 - 4	22182-71421	9 - 3
11060-04100	8 - 30	22115-85401	5 - 13	22182-71430	9 - 4
11060-04141	4 - 7	22118-85460	5 - 15	22182-71440	9 - 5
11060-04141	7 - 17	22128-81140	11 - 4	22182-75120	10 - 3
11060-04163	1 - 8	22128-81150	11 - 5	22182-96440	15 - 9
11060-04163	4 - 3	22128-81920	11 - 31	22182-96460	15 - 10
11060-04163	10 - 14	22128-85421	5 - 14	22182-96470	15 - 12
11060-04163	12 - 5	22131-98120	7 - 2	22197-15130	2 - 2
11060-04202	9 - 12	22150-52440	8 - 2	22197-33960	5 - 18
1106005124	3 - 12	22154-22130	3 - 31	22197-51230	7 - 8
11060-05183	1 - 3	22154-72230	9 - 9	22197-55111	7 - 11
11060-05183	2 - 7	22154-96420	15 - 7	22197-55201	7 - 12
11060-05183	3 - 15	22154-96430	15 - 8	22197-81340	11 - 15
11060-05183	8 - 33	22155-12190	3 - 17	37013-21120	3 - 3
11203-04060	2 - 5	22155-96240	15 - 16	37145-81320	11 - 10
11500-04001	8 - 37	22155-96521	15 - 13	38010-32271	3 - 20
11500-08001	6 - 7	22155-96531	15 - 14	38010-71330	9 - 10
11500-08001	7 - 4	22156-14140	1 - 6	38010-83330	12 - 11
12310-12003	3 - 7	22156-81420	11 - 27	39010-11020	3 - 9
12420-40255	5 - 2	22156-81710	11 - 24	39010-11050	3 - 32
12492-30110	8 - 22	22157-41220	6 - 3	39010-81320	11 - 2
12492-40080	3 - 10	22160-12160	1 - 4	39054-21320	3 - 23
12492-40080	8 - 26	22160-21520	3 - 8	39054-83310	3 - 30
12492-40110	3 - 11	22160-33770	5 - 22	39067-81390	11 - 28
12900-62010	3 - 2	22160-41240	6 - 5	39067-81410	11 - 29
12900-62020	3 - 6	22160-52511	3 - 16	39067-98340	11 - 32
13000-03506	9 - 11	22160-96411	15 - 6	39067-98350	15 - 1
14352-01300	3 - 22	22169-21910	3 - 14	39067-98360	15 - 2
15401-10121	8 - 32	22169-54670	8 - 31	39067-98370	15 - 3
17500-12300	8 - 28	22169-71460	9 - 7	39067-98380	15 - 5
17520-15400	8 - 23	22169-96430	15 - 11	39223-98341	14 - 2
1940200347	8 - 35	22173-56150	8 - 6	39223-98351	14 - 3
19639-01100	13 - 5	22180-81380	11 - 18	39223-98391	6 - 6
20000-96210	15 - 15	22180-81740	11 - 25	39223-98510	14 - 1
20020-85540	5 - 16	22182-21621	3 - 27	39300-75121	10 - 4

**Index**

<b>Patrs Number</b>	<b>Key No.</b>	<b>Patrs Number</b>	<b>Key No.</b>	<b>Patrs Number</b>	<b>Key No.</b>
39300-75130	10 - 7	39311-71360	9 - 14		
39300-75140	10 - 9	39311-75011	10 - 1		
39300-75151	10 - 10	39311-75110	10 - 2		
39300-75311	10 - 5	39311-82131	12 - 1		
39300-75330	10 - 8	39311-82311	12 - 12		
39300-75340	10 - 11	39311-82321	12 - 13		
39300-75350	10 - 12	39311-82331	12 - 14		
39309-32040	5 - 10	39311-82360	12 - 3		
39309-32270	5 - 11	39311-82370	12 - 4		
39309-32340	5 - 12	39311-83310	12 - 8		
39309-75320	10 - 6	39311-83320	12 - 9		
39311-12210	1 - 5	39311-83330	12 - 10		
39311-12220	1 - 7	69018-81310	11 - 17		
39311-15210	2 - 6	69023-92310	13 - 1		
39311-21030	3 - 19	69024-81320	11 - 6		
39311-21360	3 - 26	69024-81330	11 - 14		
39311-21370	3 - 21	69025-75310	10 - 15		
39311-21380	3 - 29	69028-15311	2 - 1		
39311-31310	4 - 2	69028-15320	2 - 4		
39311-32024	5 - 1	69033-12010	1 - 1		
39311-32330	5 - 7	6903312120	1 - 2		
39311-32341	5 - 17	6903312120	6 - 8		
39311-32370	5 - 19	69033-21011	3 - 1		
39311-33310	5 - 20	69033-21020	3 - 5		
39311-33320	5 - 21	69033-21320	3 - 13		
39311-33330	3 - 28	6903331110	4 - 1		
39311-51020	7 - 5	69033-32110	4 - 4		
39311-51110	7 - 1	6903341110	6 - 1		
39311-51120	7 - 6	69033-41120	6 - 2		
39311-51130	7 - 7	69033-53010	8 - 9		
39311-51320	7 - 3	6903353310	8 - 36		
39311-52130	8 - 5	69033-75310	10 - 13		
39311-52140	8 - 7	69033-81010	11 - 1		
39311-53110	8 - 10	6903391320	10 - 16		
39311-53121	8 - 11	6903391330	8 - 34		
39311-53130	8 - 13	69033-98320	6 - 9		
39311-54110	8 - 16	70030-81380	11 - 19		
39311-54130	8 - 29	70030-81390	11 - 20		
39311-54310	8 - 15	72311-15190	2 - 3		
39311-54320	8 - 17	72320-81410	11 - 26		
39311-54330	8 - 20	72320-81420	11 - 22		
39311-54340	8 - 21	72342-81270	11 - 11		
39311-54350	8 - 24				
39311-54364	8 - 25				
39311-54381	8 - 27				
39311-55231	7 - 16				
39311-71110	9 - 1				
39311-71310	9 - 8				
39311-71320	9 - 13				

# YAMABIKO CORPORATION

7-2 SUEHIROCHO 1-CHOME, OHME, TOKYO 198-8760, JAPAN  
PHONE: 81-428-32-6118. FAX: 81-428-32-6145.

**shindaiwa<sup>®</sup>**

EPA  
No.