

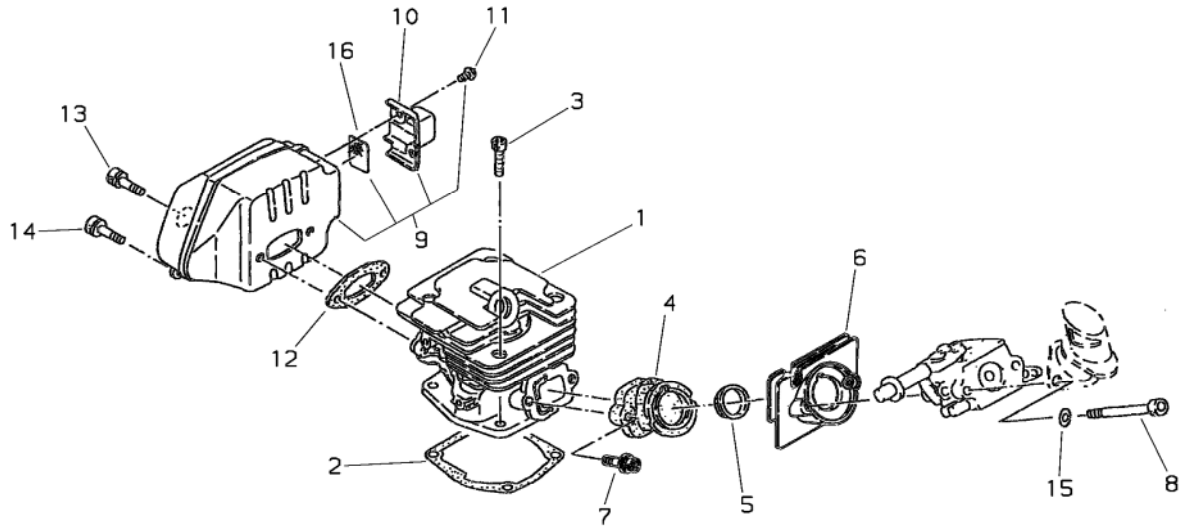
shindaiwa[®]

PARTS CATALOGUE

**CHAIN SAW
360 EMC**

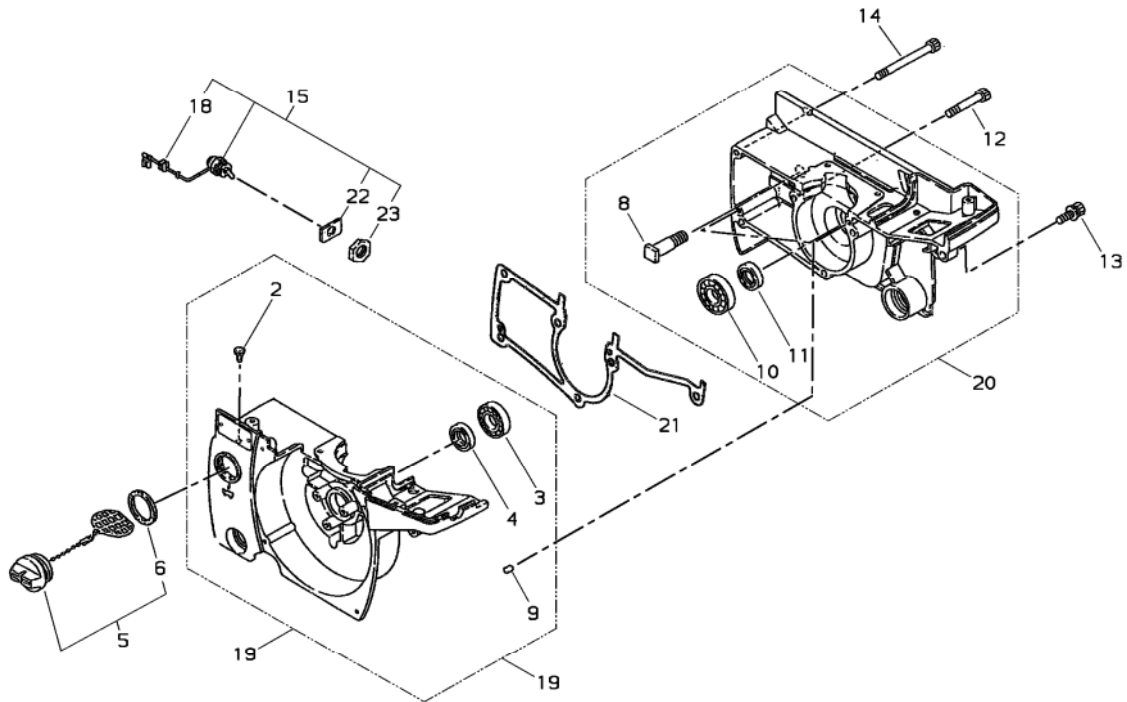
360 EMC

1. CYLINDER, MUFFLER



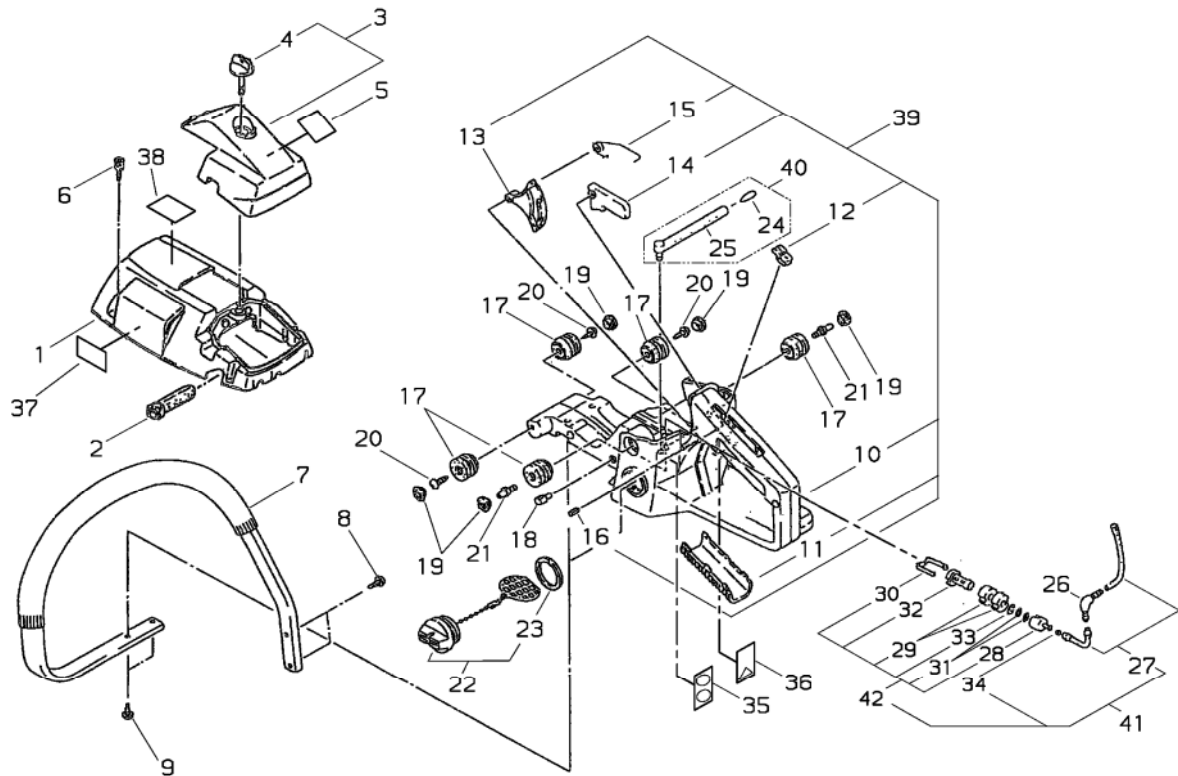
KEY	LV	PART NUMBER	Q'TY	DESCRIPTION	REMARKS	NOTE1	NOTE2
1		22156-12111	1	CYLINDER			
2		22154-12120	1	GASKET CYLINDER			
3		22154-12130	4	BOLT			
4		22156-12154	1	BOOT			
5		22156-14140	1	COLLAR			
6		22156-12170	1	BRACKET			
7		11060-04121	2	BOLT ADHEISIVE		M4x12	
8		01020-05400	2	BOLT		M5x40	
15		01610-05080	2	WASHER		5mm	
9		72299-15100	1	MUFFLER SUB ASSY			
16	•	72299-15120	1	SCREEN			
10	•	22156-15130	1	TAIL PLATE			
11	•	11203-04060	2	SCREW PM		M4x6	
12		22156-15211	1	GASKET MUFFLER		NP9000	
13		11020-05160	2	BOLT SW		M5x16	
14		11060-05161	2	BOLT ADHESIVE		M5x16	

2. CRANKCASE



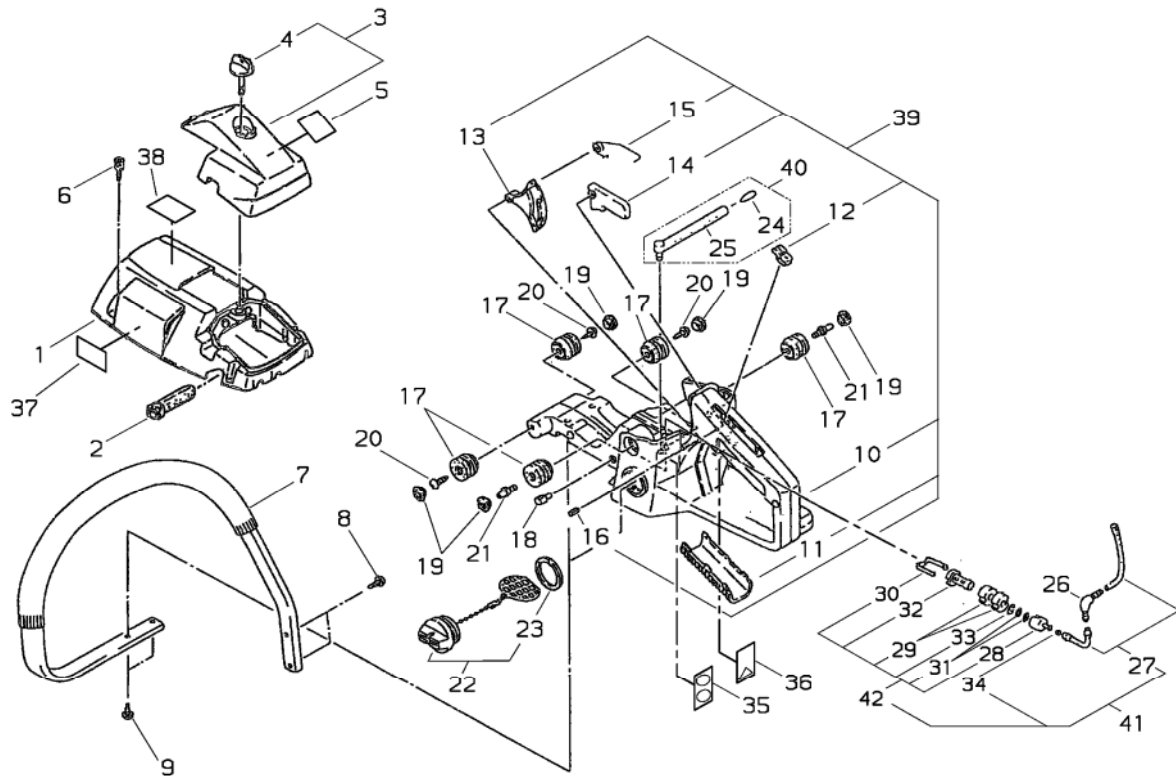
KEY	LV	PART NUMBER	Q'TY	DESCRIPTION	REMARKS	NOTE1	NOTE2
19		22156-21201	1	CRANK CASE M COMP			
2	•	22115-57120	1	VALVE OIL TANK			
3	•	12900-60010	1	BALL BEARING			
4	•	22150-21250	1	SEAL,OIL			
5		22160-21302	1	OIL CAP ASSY			
6	•	22160-21351	1	GASKET CAP			
20		22154-21503	1	CRANK CASE C COMP			
8	•	22154-21520	1	BOLT BAR			
9	•	12492-40080	2	ROLLER		E4X8F6 C3	
10	•	12900-62010	1	BEARING		6201,C3	
11	•	22150-21250	1	SEAL,OIL			
12		11060-05300	3	BOLT ADHESIVE		M5x30	
13		11060-05182	1	BOLT ADHESIVE		M5x18	
14		11060-05450	2	BOLT ADHESIVE		M5x45	
15		22156-22100	1	SWITCH ASSY			
18	•	22156-22150	1	GROMMET			
21		39035-21310	1	GASKET CASE			
22	•	22154-22130	1	NUT			
23	•	22154-22141	1	PLATE			

3. COVER, HANDLE



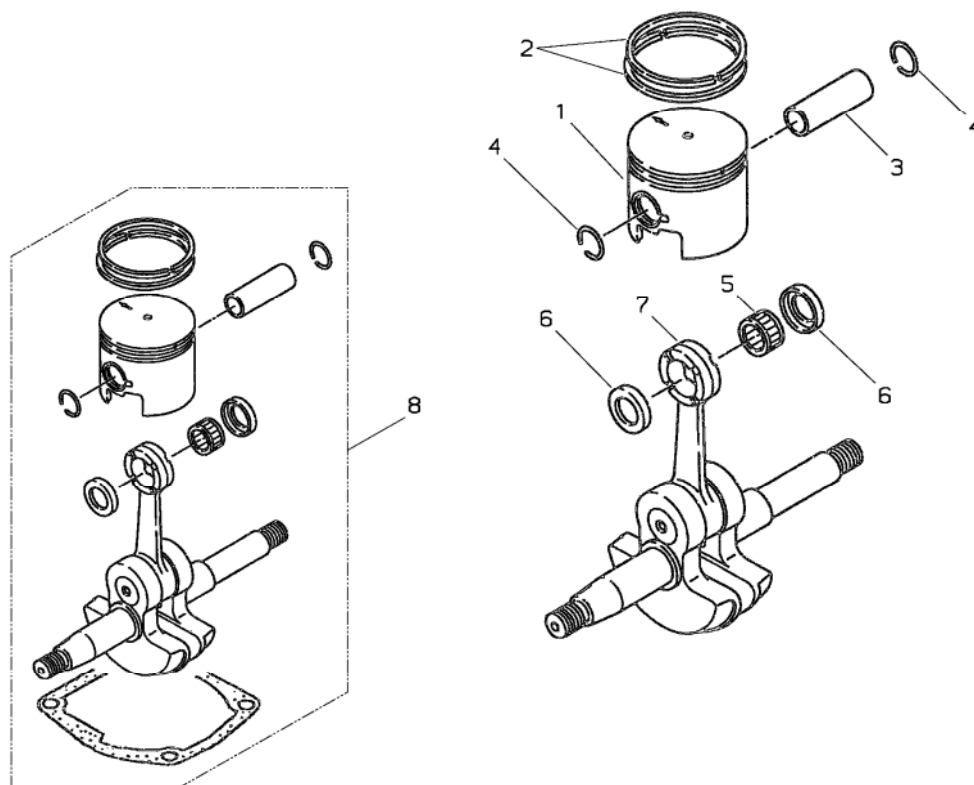
KEY	LV	PART NUMBER	Q'TY	DESCRIPTION	REMARKS	NOTE1	NOTE2
1		22180-31110	1	CYLINDER COVER			
2		22156-31121	1	GROMMET			
37		72288-31130	1	CAUTION PLATE A			
38		72229-33221	1	CAUTION PLATE G			
3		69006-31020	1	CLEANER COVER-C			
4		22155-82520	1	KNOB CLEANER COVER			
5		72288-31120	1	CAUTION PLATE K			
6		11022-04160	3	BOLT SPW		M4x16	
7		22156-32111	1	FRONT HANDLE			
8		11029-50210	2	BOLT HILO		5x21	
9		11029-50170	2	BOLT HILO		5x17	
39		22156-33102	1	REAR HANDLE SUB ASSY			
10		22156-33201	1	REAR HANDLE			
11		22156-33230	1	GRIP			
12		22154-33310	1	SLIDE STOPPER			
13		22154-33320	1	THROTTLE LEVER			
14		22154-33330	1	LOCK LEVER			
15		17520-11300	1	COIL SPRING			
16		12420-40255	2	SPRING PIN		4x25	
35		72229-75180	1	CAUTION PLATE I			
36		72229-53130	1	CAUTION PLATE H			
17		22154-33731	5	CUSHION 22			
18		22154-33750	1	SUPPORTER			
19		22154-33740	5	PLUG 22			
20		22156-33750	3	BOLT HILO			
21		22154-33761	2	STOP BOLT 22			

3. COVER, HANDLE



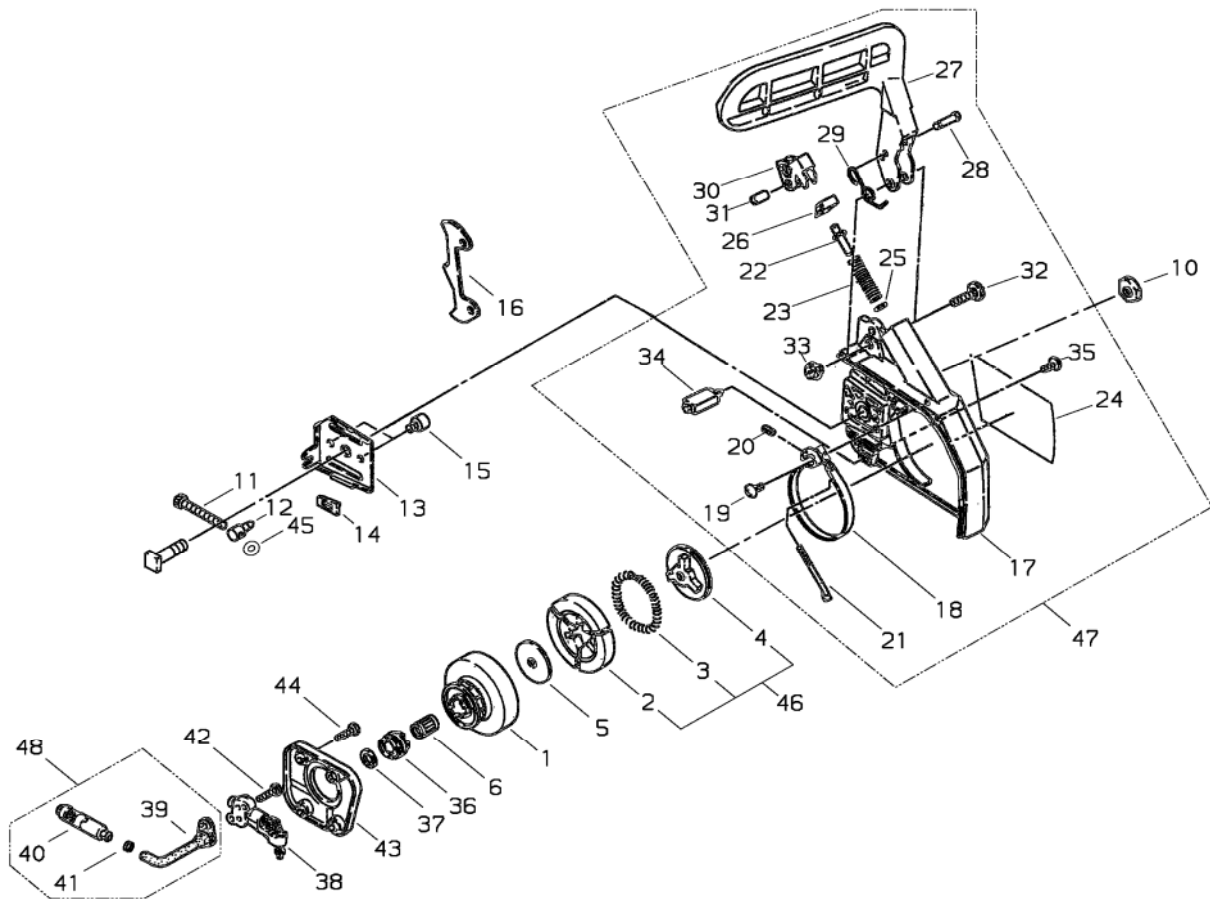
KEY	LV	PART NUMBER	Q'TY	DESCRIPTION	REMARKS	NOTE1	NOTE2
22		22137-33800	1	FUEL CAP ASSY			
23	•	22160-21351	1	GASKET CAP			
40		22154-33900	1	BREATHER ASSY			
24	•	22155-33950	1	ELEMENT			
25	•	22154-33940	1	PIPE			
26		22155-33930	1	JOINT			
41		22159-34100	1	FUEL PIPE ASSY			
27	•	22159-34110	1	FUEL PIPE			
42	•	22115-85401	1	FUEL FILTER			
28	• •	22128-85410	1	FUEL LINE WEIGHT			
29	• •	22128-85421	2	ELEMENT, STRAINER			
30	• •	22128-85440	1	CLIP FILTER			
31	• •	22118-85460	2	ELEMENT			
32	• •	22128-85470	1	SLEEVE			
33	• •	22128-85480	1	RING			
34	•	20020-85540	1	CLIP			

4. PISTON, CRANKSHAFT



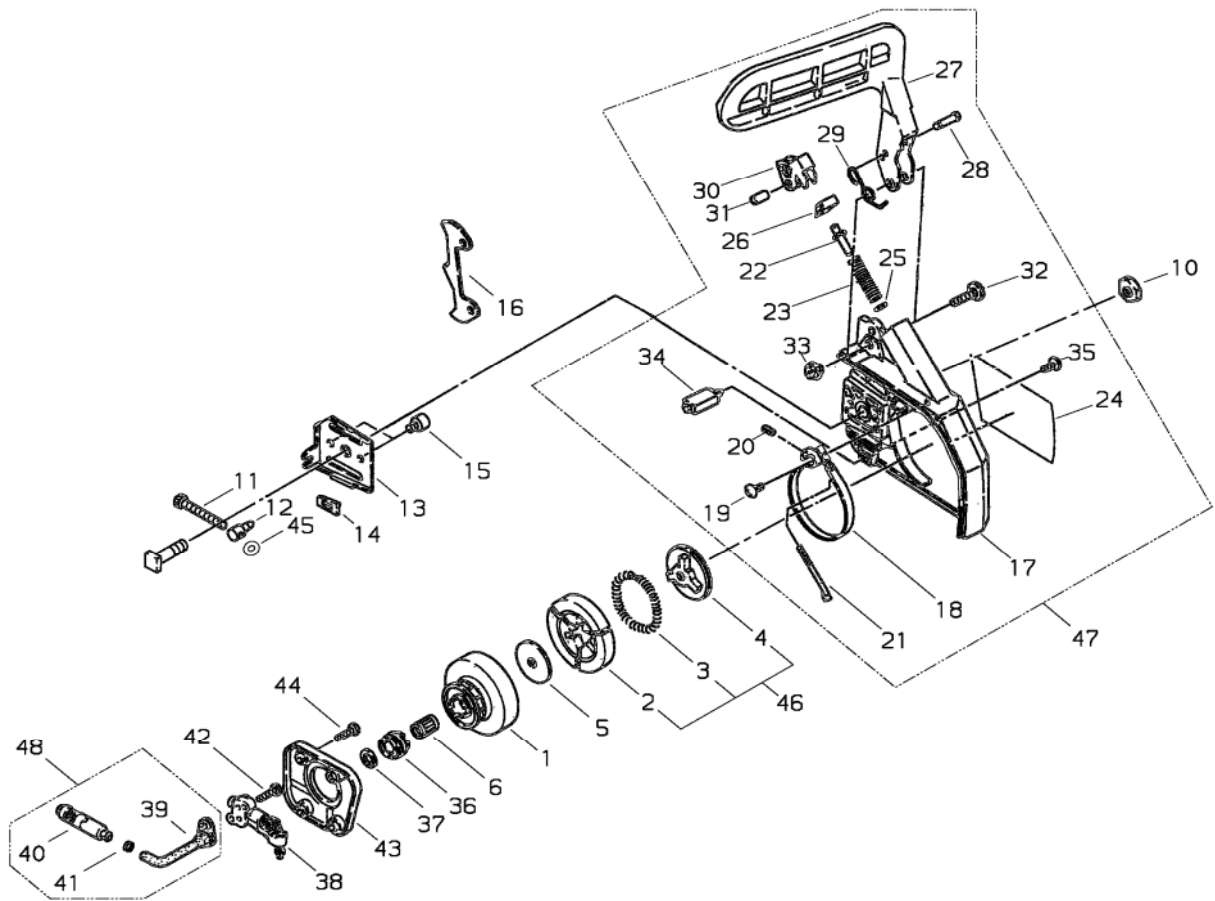
KEY	LV	PART NUMBER	Q'TY	DESCRIPTION	REMARKS	NOTE1	NOTE2
8		72363-98010	1	PISTON SET			
1	▪	22156-41110	1	PISTON			
2	▪	22156-41210	2	PISTON RING			
3	▪	20010-41310	1	PISTON PIN			
4	▪	22100-41230	2	SNAP RING			
5	▪	20010-41330	1	NEEDLE BEARING			
6	▪	22156-41340	2	THRUST WASHER			
7		22154-42000	1	CRANK SHAFT ASSY			

5. CLUTCH, CLUTCH COVER



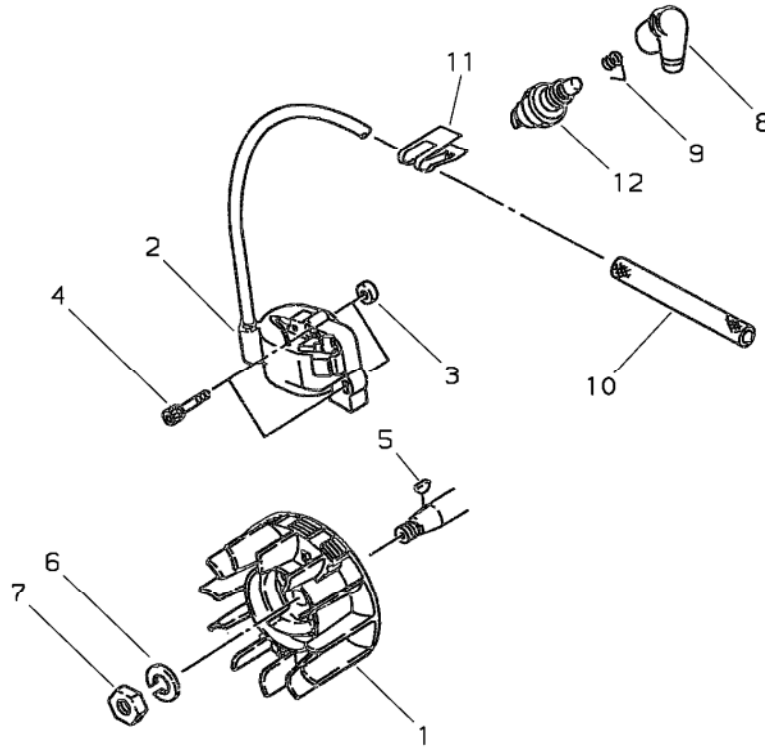
KEY	LV	PART NUMBER	Q'TY	DESCRIPTION	REMARKS	NOTE1	NOTE2
1		22163-51110	1	CLUTCH DRUM			
46		22154-51200	1	CLUTCH ASSY			
2	•	22154-51220	3	CLUTCH SHOE			
3	•	22102-51230	1	CLUTCH SPRING			
4	•	22154-51240	1	CLUTCH BOSS B			
5		22154-51250	1	CLUTCH BOSS A			
6		22102-51310	1	NEEDLE BEARING			
10		22154-52410	1	NUT			
11		22154-52421	1	SLIDE SCREW			
12		22150-52440	1	TENSIONER,CHAIN			
45		22154-52450	1	PUSH NUT			
13		22154-52460	1	MOUNT GUARD			
14		22154-52470	1	CHAIN PAT			
15		22154-52490	2	PIN BAR			
16		22154-52530	1	SPIKE			
47		72299-54104	1	BRAKE ASSY			
17	•	22154-54111	1	CLUTCH COVER			
18	•	22156-54210	1	BRAKE BAND			
19	•	01275-05102	1	SCREW TRUSS T		5x10	
20	•	02427-40125	1	SPRING PIN		4x12	
21	•	22156-54310	1	ADJUST ROD			
22	•	22156-54320	1	ADJUST SCREW			
23	•	22156-54330	1	BRAKE SPRING			
24	•	72299-54811	1	LABEL TRADE			
25	•	01613-06100	1	WASHER		6mm	
26	•	22156-54410	1	BLOCK			

5. CLUTCH, CLUTCH COVER



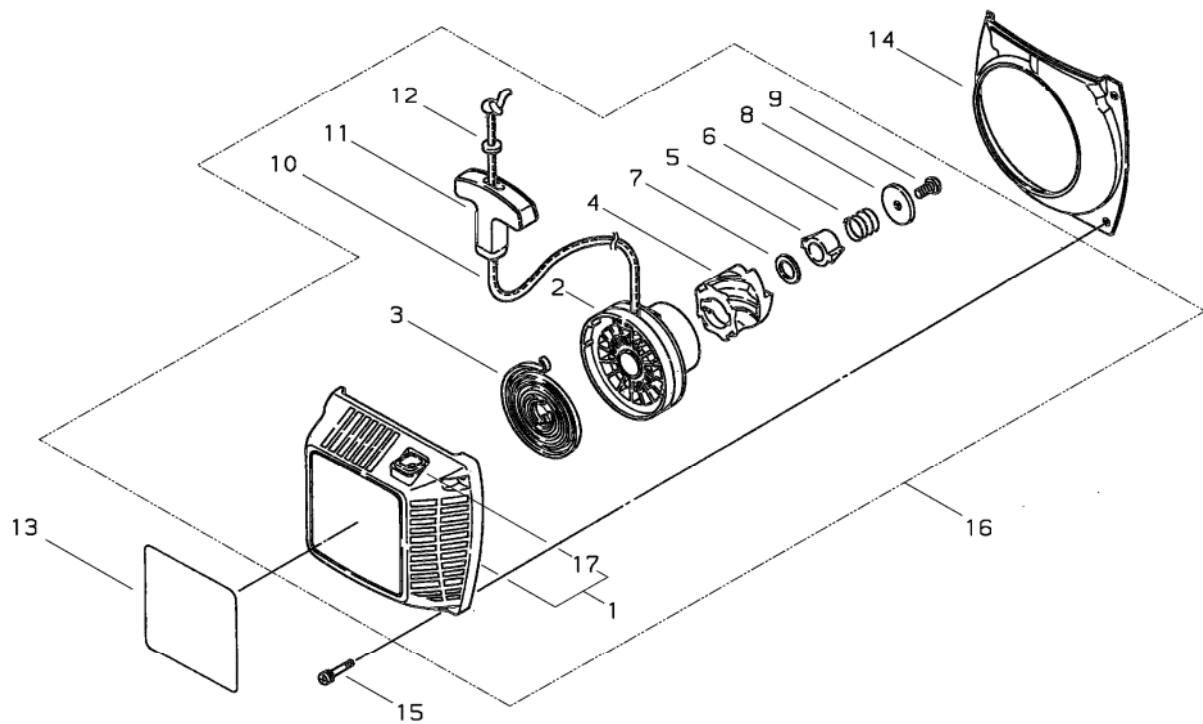
KEY	LV	PART NUMBER	Q'TY	DESCRIPTION	REMARKS	NOTE1	NOTE2
27	•	72288-54310	1	LEVER			
28	•	22156-54520	1	STOPPER PIN			
29	•	22154-54540	1	RELIEF SPRING			
30	•	72299-54560	1	LEVER COMP			
31	•	22156-54570	1	PIN LEVER			
32	•	22154-54580	1	BOLT LEVER			
33	•	22154-54590	1	NUT LEVER			
34	•	22154-54611	1	CHAIN CATCHER			
35	•	01275-03082	1	SCREW TRUSS T		3x8	
36		22154-55110	1	GEAR			
37		22154-55120	1	THRUST PLATE			
38		22197-55201	1	OIL PUMP ASSY			
48		22154-55301	1	OIL PIPE ASSY			
39	•	22154-55310	1	OIL PIPE			
40	•	22154-55330	1	OIL FILTER			
41	•	22154-85540	1	CLIP OIL			
42		11205-04120	2	SCREW PM		M4x12	
43		22154-56110	1	PUMP COVER			
44		11260-04120	4	スクリュー ト ヒーシフ		M4x12	

6. MAGNETO



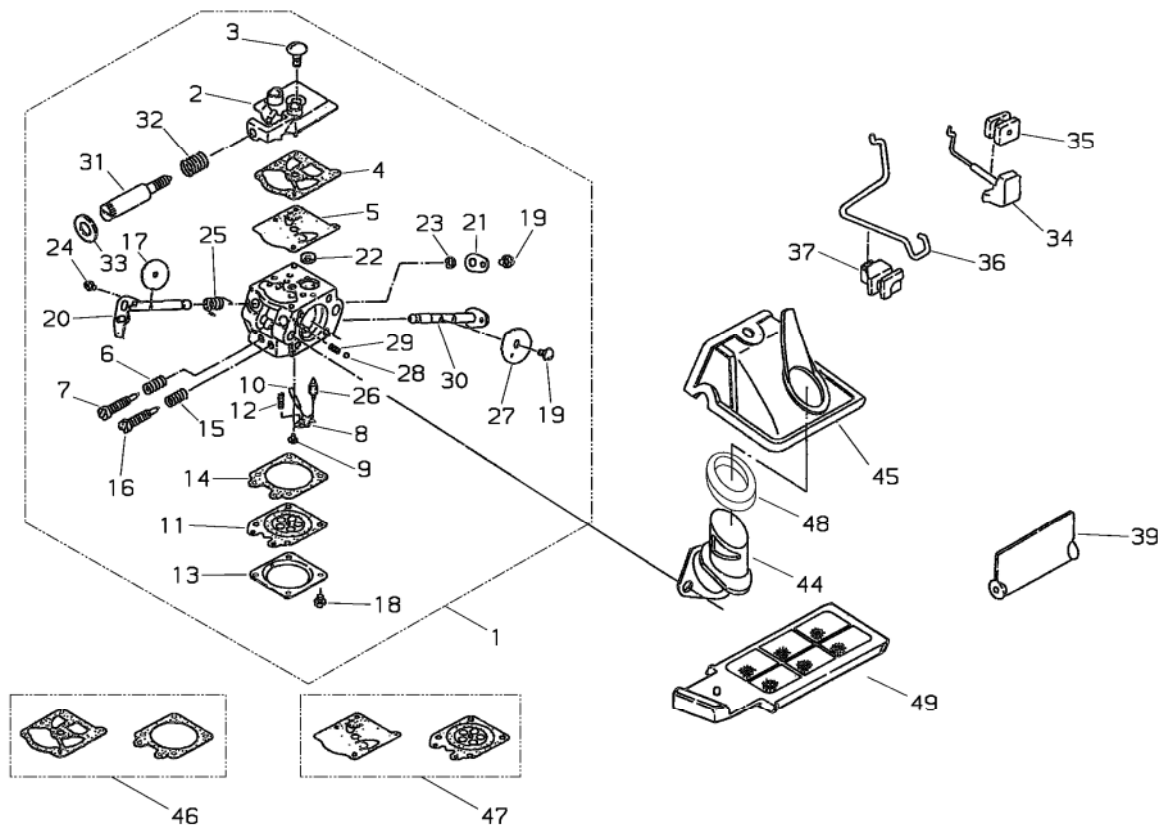
KEY	LV	PART NUMBER	Q'TY	DESCRIPTION	REMARKS	NOTE1	NOTE2
1		22154-71100	1	ROTOR			
2		20024-71610	1	COIL			
3		22154-71811	2	INSULATOR			
4		11060-04240	2	BOLT ADHESIVE		M4x24	
5		02403-03100	1	KEY	3*10	3x10 A	
6		01600-08201	1	SPRING WASHER		8mm	
7		22100-43231	1	NUT			
8		22160-72220	1	PLUG CAP			
9		22154-72230	1	TERMINAL SPARKPLUG			
10		70064-72110	1	TUBE			
11		22154-72240	1	CLIP			
12		13000-13507	1	SPARK PLUG BPMR7A		BPMR7A	

7. RECOIL STARTER



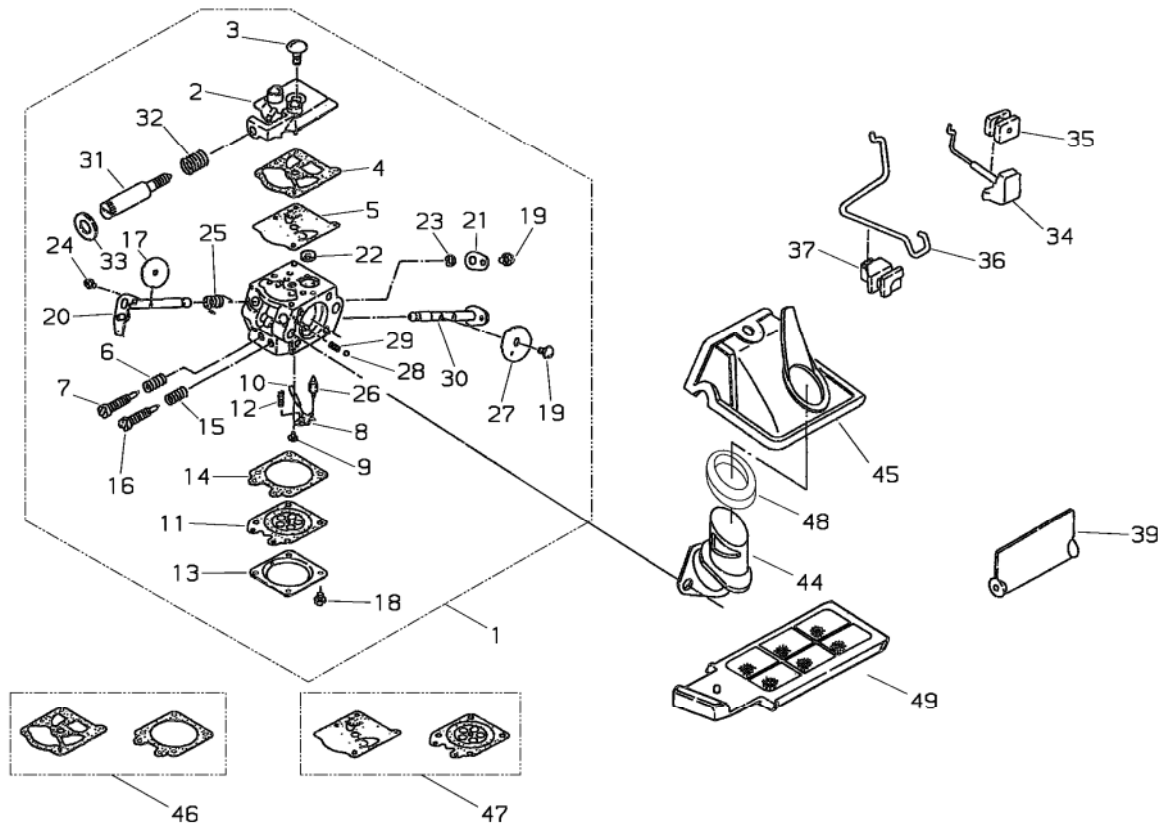
KEY	LV	PART NUMBER	Q'TY	DESCRIPTION	REMARKS	NOTE1	NOTE2
16		22154-75101	1	RECOIL STARETR			
1	•	22154-75112	1	RECOIL CASE			
17	• •	22182-75120	1	GUIDE			
2	•	22154-75210	1	REEL			
3	•	22159-75310	1	RECOIL SPRING			
4	•	22154-75341	1	RATCHET			
5	•	22154-75353	1	GUIDE			
6	•	22154-75360	1	FRICTION SPRING			
7	•	22154-75371	1	THRUST WASHER			
8	•	22154-75380	1	WASHER			
9	•	20035-75170	1	SCREW			
10	•	22154-75410	1	ROPE			
11	•	22154-75420	1	KNOB RECOIL			
12	•	22154-75430	1	STOPPER KNOB			
13		72299-75441	1	LABEL TRADE			
14		22154-75610	1	AIR PLATE			
15		11060-04200	4	BOLT ADHESIVE		M4x20	

8. CARBURETOR



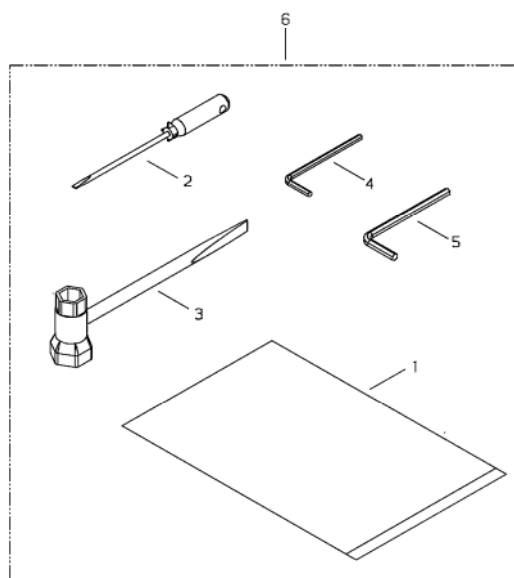
KEY	LV	PART NUMBER	Q'TY	DESCRIPTION	REMARKS	NOTE1	NOTE2
1		22156-81000	1	CARBURETOR ASSY			
2	•	22156-81120	1	PUMP COVER ASSY			
3	•	22100-81130	1	SCREW			
4	•	22128-81140	1	GASKET, FUEL PUMP			
5	•	22128-81150	1	DIAPHRAGM PUMP			
6	•	22156-81160	1	SPRING, NEEDLE			
7	•	22156-81170	1	L NEEDLE			
8	•	22100-81230	1	LEVER, METERING			
9	•	22100-81240	1	SCREW			
10	•	22100-81250	1	PIN			
11	•	22100-81260	1	DIAPHRAGM ASM			
12	•	22120-81270	1	SPRING LEVER			
13	•	22100-81280	1	COVER DIAPHRAGM			
14	•	22100-81290	1	GASKET, M. DIAPHRAGM			
15	•	22156-81320	1	SPRING, NEEDLE			
16	•	22156-81330	1	NEEDLE, HIGH SPEED			
17	•	22104-81340	1	THROTTLE VALVE			
18	•	22100-81351	4	SCREW			
19	•	22100-81360	2	SCREW			
20	•	22156-81370	1	SHAFT ASSY			
21	•	22156-81380	1	LEVER			
22	•	70030-81380	1	SCREEN			
23	•	70030-81390	1	E-RING			
24	•	22150-81420	1	SCREW ASSY			
25	•	22100-81410	1	SPRING SHAFT			
26	•	20036-81440	1	VALVE			

8. CARBURETOR



KEY	LV	PART NUMBER	Q'TY	DESCRIPTION	REMARKS	NOTE1	NOTE2
27	•	22156-81710	1	VALVE, CHOKE			
28	•	22150-81720	1	BALL			
29	•	22150-81730	1	SPRING			
30	•	22156-81740	1	SHAFT ASSY			
31	•	22156-81410	1	IDLE SCREW			
32	•	22156-81420	1	SPRING, IDLE ADJUST			
33	•	22156-81440	1	SEAL COLLAR			
46		22128-81920	1	GASKET KIT			
47		22128-81910	1	DIAPHRAGM KIT			
34		22159-82120	1	CHOKE ROD			
35		22180-82130	1	GROMMET CHOKE			
36		22159-82140	1	THROTTLE ROD			
37		22154-82150	1	GROMMET ROD			
39		22154-82320	1	SHUTTER			
44		22159-82431	1	ELBOW			
45		22159-97310	1	AIR CLEANER			
48		69006-82310	1	RING GASKET			
49		22154-82310	1	AIR CLEANER			

9. TOOL



KEY	LV	PART NUMBER	Q'TY	DESCRIPTION	REMARKS	NOTE1	NOTE2
6		72297-91000	1	TOOL SET			
1	▪	19639-01100	1	POLY BAG			
2	▪	22150-91160	1	DRIVER			
3	▪	22150-91410	1	PLUG WRENCH		13x19mm	
4	▪	09026-03001	1	HEXA WRENCH 4MM		3mm M4	
5	▪	09026-04001	1	HEXA WRENCH	4MM M5㊦	4mm M5	

Index

Patrs Number	Key No.	Patrs Number	Key No.	Patrs Number	Key No.
01020-05400	1 - 8	22102-51230	5 - 3	22154-52470	5 - 14
01275-03082	5 - 35	22102-51310	5 - 6	22154-52490	5 - 15
01275-05102	5 - 19	22104-81340	8 - 17	22154-52530	5 - 16
01600-08201	6 - 6	22115-57120	2 - 2	22154-54111	5 - 17
01610-05080	1 - 15	22115-85401	3 - 42	22154-54540	5 - 29
01613-06100	5 - 25	22118-85460	3 - 31	22154-54580	5 - 32
02403-03100	6 - 5	22120-81270	8 - 12	22154-54590	5 - 33
02427-40125	5 - 20	22128-81140	8 - 4	22154-54611	5 - 34
09026-03001	9 - 4	22128-81150	8 - 5	22154-55110	5 - 36
09026-04001	9 - 5	22128-81910	8 - 47	22154-55120	5 - 37
11020-05160	1 - 13	22128-81920	8 - 46	22154-55301	5 - 48
11022-04160	3 - 6	22128-85410	3 - 28	22154-55310	5 - 39
11029-50170	3 - 9	22128-85421	3 - 29	22154-55330	5 - 40
11029-50210	3 - 8	22128-85440	3 - 30	22154-56110	5 - 43
11060-04121	1 - 7	22128-85470	3 - 32	22154-71100	6 - 1
11060-04200	7 - 15	22128-85480	3 - 33	22154-71811	6 - 3
11060-04240	6 - 4	22137-33800	3 - 22	22154-72230	6 - 9
11060-05161	1 - 14	22150-21250	2 - 4	22154-72240	6 - 11
11060-05182	2 - 13	22150-21250	2 - 11	22154-75101	7 - 16
11060-05300	2 - 12	22150-52440	5 - 12	22154-75112	7 - 1
11060-05450	2 - 14	22150-81420	8 - 24	22154-75210	7 - 2
11203-04060	1 - 11	22150-81720	8 - 28	22154-75341	7 - 4
11205-04120	5 - 42	22150-81730	8 - 29	22154-75353	7 - 5
11260-04120	5 - 44	22150-91160	9 - 2	22154-75360	7 - 6
12420-40255	3 - 16	22150-91410	9 - 3	22154-75371	7 - 7
12492-40080	2 - 9	22154-12120	1 - 2	22154-75380	7 - 8
12900-60010	2 - 3	22154-12130	1 - 3	22154-75410	7 - 10
12900-62010	2 - 10	22154-21503	2 - 20	22154-75420	7 - 11
13000-13507	6 - 12	22154-21520	2 - 8	22154-75430	7 - 12
17520-11300	3 - 15	22154-22130	2 - 22	22154-75610	7 - 14
19639-01100	9 - 1	22154-22141	2 - 23	22154-82150	8 - 37
20010-41310	4 - 3	22154-33310	3 - 12	22154-82310	8 - 49
20010-41330	4 - 5	22154-33320	3 - 13	22154-82320	8 - 39
20020-85540	3 - 34	22154-33330	3 - 14	22154-85540	5 - 41
20024-71610	6 - 2	22154-33731	3 - 17	22155-33930	3 - 26
20035-75170	7 - 9	22154-33740	3 - 19	22155-33950	3 - 24
20036-81440	8 - 26	22154-33750	3 - 18	22155-82520	3 - 4
22100-41230	4 - 4	22154-33761	3 - 21	22156-12111	1 - 1
22100-43231	6 - 7	22154-33900	3 - 40	22156-12154	1 - 4
22100-81130	8 - 3	22154-33940	3 - 25	22156-12170	1 - 6
22100-81230	8 - 8	22154-42000	4 - 7	22156-14140	1 - 5
22100-81240	8 - 9	22154-51200	5 - 46	22156-15130	1 - 10
22100-81250	8 - 10	22154-51220	5 - 2	22156-15211	1 - 12
22100-81260	8 - 11	22154-51240	5 - 4	22156-21201	2 - 19
22100-81280	8 - 13	22154-51250	5 - 5	22156-22100	2 - 15
22100-81290	8 - 14	22154-52410	5 - 10	22156-22150	2 - 18
22100-81351	8 - 18	22154-52421	5 - 11	22156-31121	3 - 2
22100-81360	8 - 19	22154-52450	5 - 45	22156-32111	3 - 7
22100-81410	8 - 25	22154-52460	5 - 13	22156-33102	3 - 39

Index

Patrs Number	Key No.	Patrs Number	Key No.	Patrs Number	Key No.
22156-33201	3 - 10	72229-53130	3 - 36		
22156-33230	3 - 11	72229-75180	3 - 35		
22156-33750	3 - 20	72288-31120	3 - 5		
22156-41110	4 - 1	72288-31130	3 - 37		
22156-41210	4 - 2	72288-54310	5 - 27		
22156-41340	4 - 6	72297-91000	9 - 6		
22156-54210	5 - 18	72299-15100	1 - 9		
22156-54310	5 - 21	72299-15120	1 - 16		
22156-54320	5 - 22	72299-54104	5 - 47		
22156-54330	5 - 23	72299-54560	5 - 30		
22156-54410	5 - 26	72299-54811	5 - 24		
22156-54520	5 - 28	72299-75441	7 - 13		
22156-54570	5 - 31	72363-98010	4 - 8		
22156-81000	8 - 1				
22156-81120	8 - 2				
22156-81160	8 - 6				
22156-81170	8 - 7				
22156-81320	8 - 15				
22156-81330	8 - 16				
22156-81370	8 - 20				
22156-81380	8 - 21				
22156-81410	8 - 31				
22156-81420	8 - 32				
22156-81440	8 - 33				
22156-81710	8 - 27				
22156-81740	8 - 30				
22159-34100	3 - 41				
22159-34110	3 - 27				
22159-75310	7 - 3				
22159-82120	8 - 34				
22159-82140	8 - 36				
22159-82431	8 - 44				
22159-97310	8 - 45				
22160-21302	2 - 5				
22160-21351	2 - 6				
22160-21351	3 - 23				
22160-72220	6 - 8				
22163-51110	5 - 1				
22180-31110	3 - 1				
22180-82130	8 - 35				
22182-75120	7 - 17				
22197-55201	5 - 38				
39035-21310	2 - 21				
69006-31020	3 - 3				
69006-82310	8 - 48				
70030-81380	8 - 22				
70030-81390	8 - 23				
70064-72110	6 - 10				
72229-33221	3 - 38				

YAMABIKO CORPORATION

7-2 SUEHIROCHO 1-CHOME, OHME, TOKYO 198-8760, JAPAN
PHONE: 81-428-32-6118. FAX: 81-428-32-6145.

shindaiwa[®]

EMC
No.